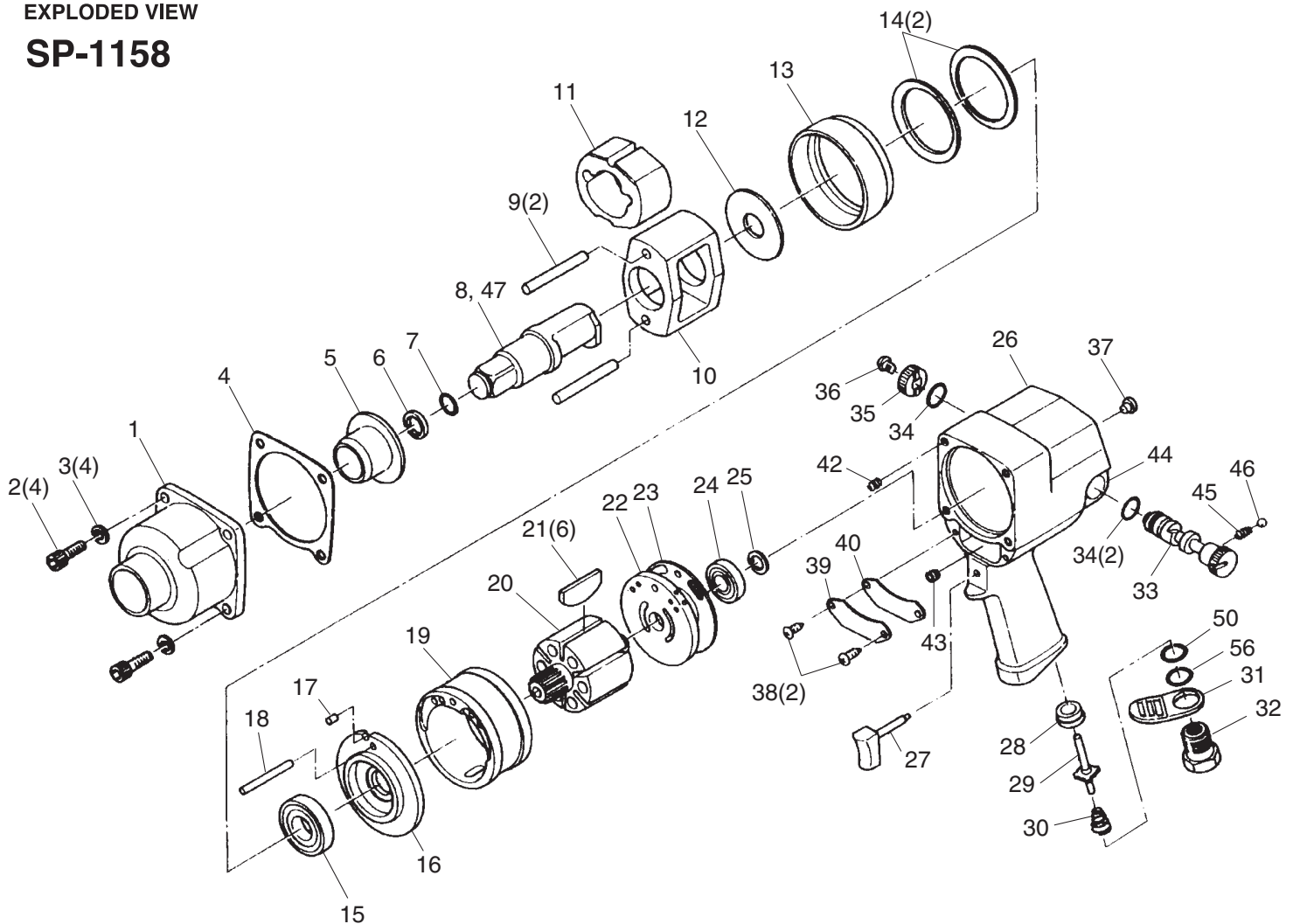


# 3/4" SQ. DRIVE HEAVY IMPACT WRENCH

EXPLODED VIEW

SP-1158



PARTS LIST

Index No.	Parts No.	Description	Qty. Per tool
1	158-01	Hammer Case	1
2	158-02	Cap Screw	4
3	158-03	Washer	4
4	158-04	Hammer Case Gasket	1
5	158-05	Hammer Case Bushing	1
6	158-06	Retaining Ring	1
7	158-07	O-Ring	1
8	158-08	Short Anvil Shank	1
9	158-09	Hammer Pin	2
10	158-10	Hammer Frame	1
11	158-11	Hammer	1
12	158-12	Washer	1
13	158-13	Motor Retainer	1
14	158-14	Motor Clamp Washer	2
15	158-15	Ball Bearing	1
16	158-16	Front End Plate	1
17	158-17	Dowel Pin	1
18	158-18	Cylinder Pin	1
19	158-19	Cylinder	1
20	158-20	Rotor	1
21	158-21	Rotor Blade	6
22	158-22	Rear End Plate	1
23	158-23	Rear End Plate Gasket	1
24	158-24	Ball Bearing	1
25	158-25	Retainer Ring	1
26	158-26	Motor Housing	1
27	158-27	Trigger with Shaft	1

Index No.	Parts No.	Description	Qty. Per tool
28	158-28	Throttle Valve Seat	1
29	158-29	Throttle Valve	1
30	158-30	Throttle Valve Spring	1
31	158-31	Exhaust Deflector	1
32	158-32	Inlet Bushing	1
33	158-33	Reverse Valve	1
34	158-34	Reverse Valve Seal	2
35	158-35	Reverse Valve Knob	1
36	158-36	Reverse Valve Knob Screw	1
37	158-37	Grease Fitting	1
38	158-38	Housing Plate Screw	2
39	158-39	Housing Plate	1
40	158-40	Housing Plate Gasket	1
42	158-42	Hell Coil (Incl:26)	4
43	158-43	Plug (Incl:26)	1
44	158-44	Reverse Valve Bushing (Incl:26)	1
45	158-45	Spring	1
46	158-46	Steel Ball	1
47	158-47	Long Anvil Shank	(1)
50	158-50	O-Ring	1
56	158-56	O-Ring	1