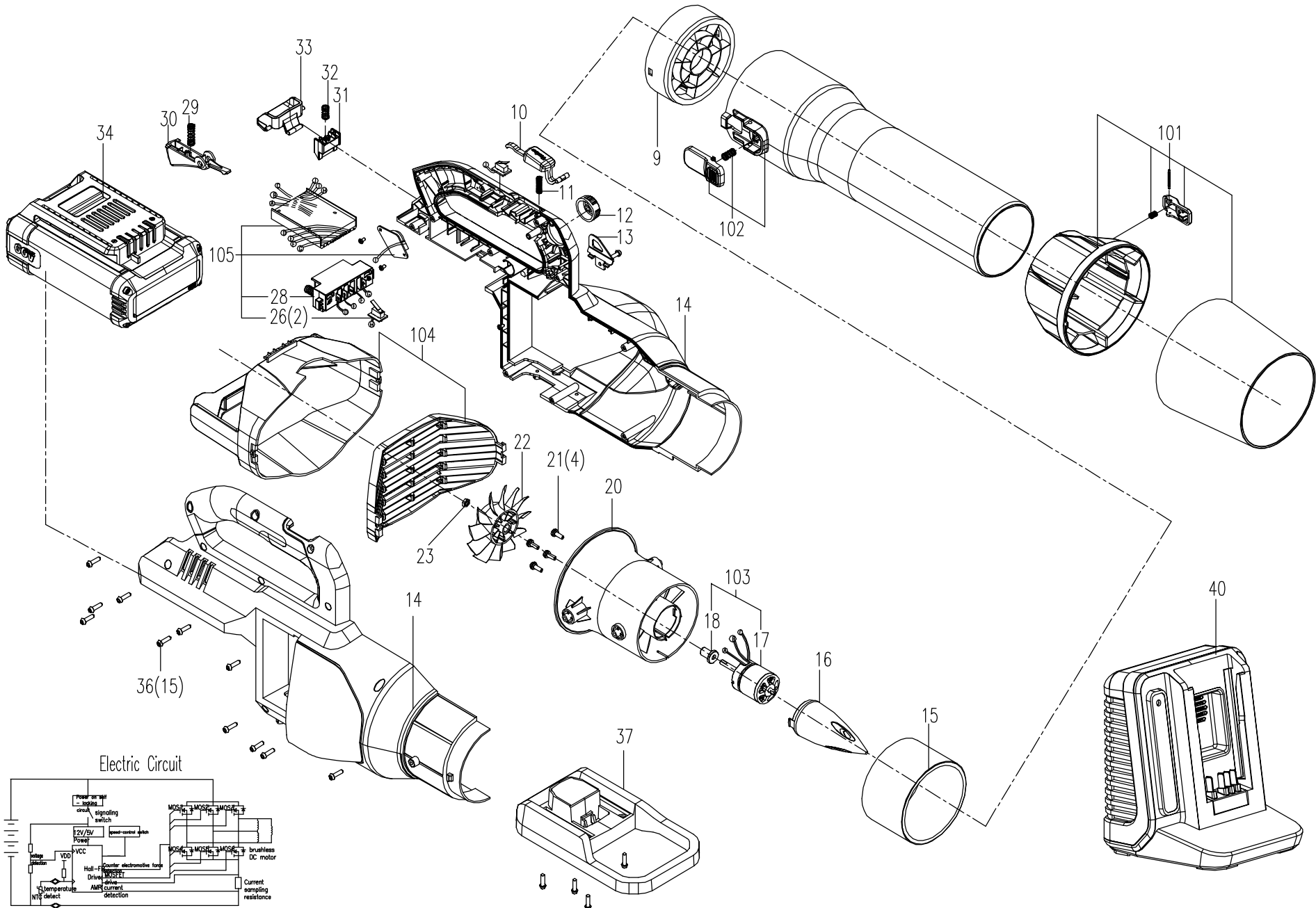


DG650

Version:00
Date:210119



Electric Circuit

