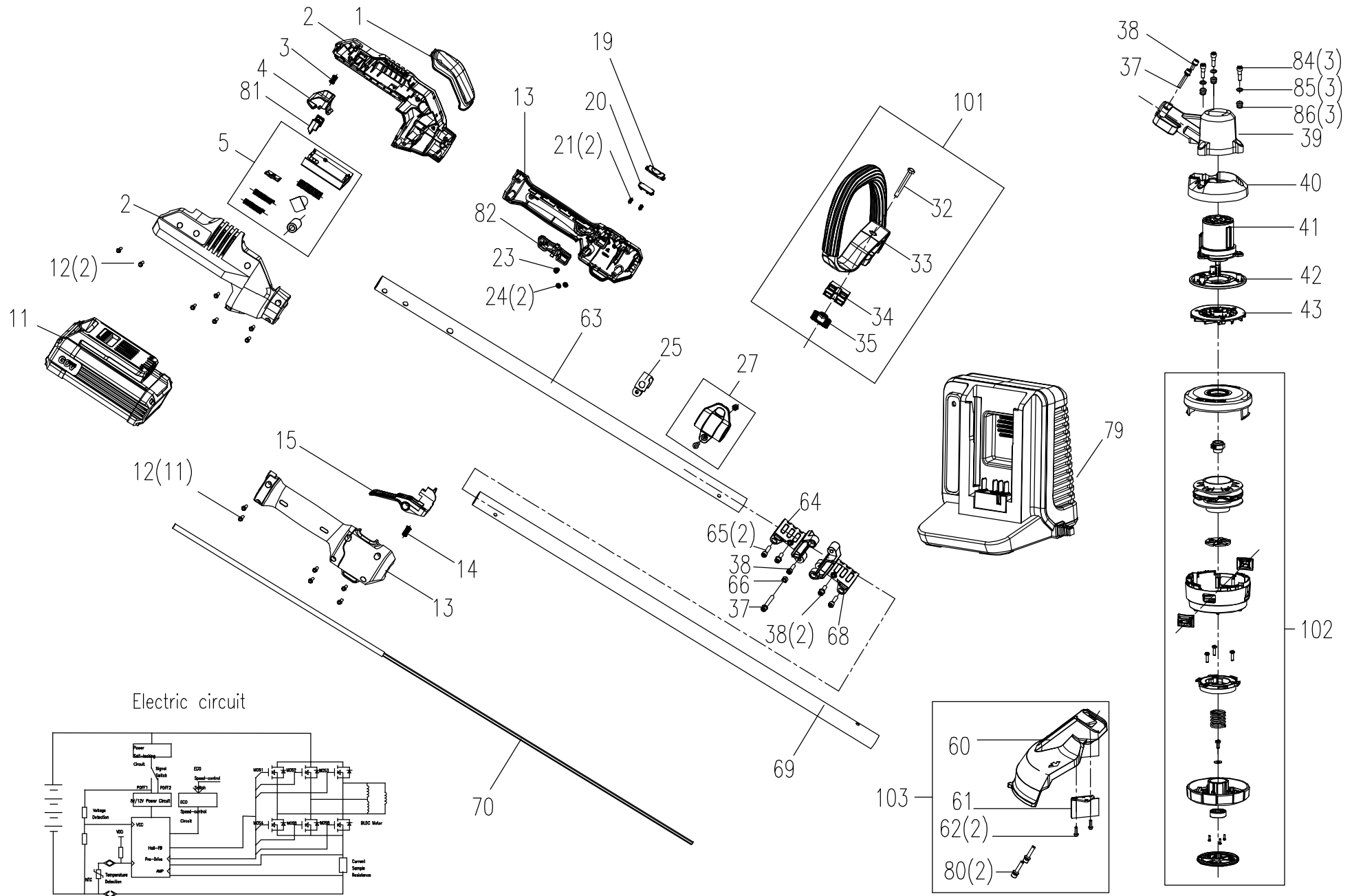


# DG610

Version:01  
Date:210607



Electric circuit

