



Outing Deluxe

Model: 1801

(BOXES: 1800-1, 1800-2,
[1801 wood parts in slide box], &
Slide Box)

Copyright © 2016 Gorilla Playsets
All Rights Reserved



51-0060-T

190 Etowah Industrial Court
Canton, GA 30114

www.gorillaplaysets.com



Please inspect and inventory all parts immediately upon accepting delivery. Use the inventory pages in the manual to make sure you have received all necessary parts. The quickest method to get any parts that are missing or damaged is to use our “Quick Response Center” located at:

www.gorillaplaysets.com/support

DO NOT RETURN THIS PRODUCT TO THE RETAILER OR CONTACT THE RETAILER DIRECTLY. THE RETAILER DOES NOT STOCK COMPONENTS.

PLEASE RETAIN ALL INSTRUCTIONS FOR FUTURE REFERENCE. KEEP THEM IN A SAFE PLACE WHERE YOU CAN REFER TO THEM AS NEEDED. CHECK FOR REVISED INSTRUCTIONS AT:

www.gorillaplaysets.com/manuals

GORILLA PLAYSETS WARRANTY – 2016

Gorilla Playsets® (“Gorilla”) warrants its play sets to be free from defects in workmanship and materials, under normal use and conditions, for 10 years for above ground structural wood components and for one year for all other components (e.g., swings, hardware, plastics, tarps, rope ladder, etc.).

Gorilla warrants all remaining products, including but not limited to its , Free Standing Swing Set, Free Standing Tire Swing, See-Saw, Children’s Picnic Table with Umbrella, Play-Zee-Bo™, Cedar Toy Chest and spring riders to be free from defects in workmanship and materials, under normal use and conditions, for a period of 1 year.

Cosmetic imperfections and natural tendencies of wood such as peeling, splintering, warping, seasonal checking or cracking, knots or knot holes, etc. are normal characteristics of all outdoor wooden play equipment and are not covered by this warranty. Checks or cracks in wood components that do not affect the intended function of the part, piece or overall swing set are not covered under this warranty.

Wood rot or decay that develops because the product was installed in an area with poor drainage is not covered under this warranty. Lumber that has been damaged by wood boring bees, or conditions that develop as a result of faulty or improper installation of the product, are not covered by this warranty. Fading of stain, discoloration or mold on any wood part or accessory is not covered by this warranty. Cracks in plastic components, surface rust on hardware and chips on powder coated materials are not considered defects in material as long as they do not affect the functionality or structural integrity of the part or component.

It is the owner’s responsibility to maintain the swing set. **This includes but is not limited to staining and sealing the lumber as needed and regular inspection to be sure all hardware is tight.** Instructions for proper maintenance can be found on Gorilla’s website. Imperfections or conditions that develop because of a failure to properly maintain the swing set are not covered by this warranty.

Gorilla will, at its discretion, replace any above ground part within the stated warranty period that is defective in workmanship or materials. This decision is subject to verification of the defect, which, at Gorilla’s discretion, may be accomplished by submitting photographs or by delivery of the defective part to Gorilla Playsets • 190 Etowah Industrial Ct. • Canton, GA 30114 • 1-800-882-0272 Monday to Friday 9AM-5PM EST. Any warranty claim must include proof of purchase, including the date of purchase. **In addition, within the first 30 days from the date of purchase, Gorilla will replace any parts discovered to be missing from or damaged in the original packaging.**

This warranty is valid only if the product is used for the purpose for which it was designed and installed at a residential, single-family dwelling. This warranty is void if the product is used in a commercial, institutional or multi-family setting. **This warranty does not cover normal wear and tear or (a) products that have been damaged by acts of God and/or nature, negligence, misuse or accident; (b) products that have been modified or repaired by unauthorized persons; (c) the cost of labor; or (d) the cost of shipping any replacement product or part.**

GORILLA DISCLAIMS ALL OTHER REPRESENTATIONS AND WARRANTIES OF ANY KIND, EXPRESSED, IMPLIED, STATUTORY OR OTHERWISE, INCLUDING THE IMPLIED WARRANTIES OF MERCHANTABILITY AND FITNESS FOR A PARTICULAR PURPOSE. GORILLA WILL NOT BE LIABLE FOR ANY INCIDENTAL OR CONSEQUENTIAL DAMAGES. This warranty is non-transferable and does not extend to the owners of the product subsequent to the original purchaser. Some states do not allow limitations on implied warranties or exclusion of incidental or consequential damages, so these restrictions may not be applicable to you. This warranty gives you specific legal rights. You may also have other rights which vary from state to state.

IMPORTANT SAFETY GUIDELINES

This product is recommended for use by children ages 3-11. This product is intended for residential use only and not intended for use in any public setting. A safety surface such as mulch or recycled tire should be used under the play set to prevent injury from falls. Also a 6 foot safety zone should be used around the entire play set.

As with any home project, good judgment and respect for power tools will greatly reduce the risk of injury. Gorilla recommends you follow all tool manufacturers' safety guidelines. Always wear eye protection and safety gloves to prevent injury. In several phases of construction two people may be required for lifting and securing of lumber. While the play set is being constructed, please keep children off the equipment until the project is complete. Bolts and screw heads should be checked regularly for tightness. The ground ladder, rope ladder, slide, swings and other areas where children spend a majority of their playtime should be checked more frequently.

Gorilla shall not be liable for incidental, indirect or consequential damages or injuries that result from building and/or playing on our play sets. Adult supervision is recommended anytime a play set is being used.

WEIGHT LIMITS FOR GORILLA PLAYSETS

- FORT PLATFORMS: 800 LBS. TOTAL WEIGHT
- SWING BELT: 225 LBS.
- TANDEM SWINGS: 70 LBS. PER CHILD. UP TO 140 LBS. TOTAL WEIGHT.
- TRAPEZE: 125 LBS.
- FULL BUCKET SWING/ HALF BUCKET SWING: 50 LBS.
- HEAVY DUTY TODDLER BUCKET SWING: 85 LBS.
- INFANT SWING: 35 LBS.
- TIRE SWING: 125 LBS. TOTAL WEIGHT
- ROPE LADDER: 75 LBS.
- ROCK WALL: 150 LBS.
- CLIMBING RAMP: 150 LBS.
- MONKEY BARS: 175 LBS.
- ALL SLIDES: 150 LBS.

Gorilla recommends that the weight limits for all components must not be exceeded. Failure to adhere to these and other safety guidelines could result in damage to the play set and injury to the users.

WARRANTY REGISTRATION

- OUTING DELUXE -

Gorilla Playsets™ manufactures the finest quality products that are designed for outstanding strength and durability. We back our products with an unparalleled warranty. In the unlikely event that you will need to contact us about covered repairs, we must have a valid Warranty Registration on file.

3 EASY WAYS TO REGISTER	
OPTION 1	Fax this completed form to: (800) 880-3300 OR Mail this completed form to: Gorilla Playsets 190 Etowah Industrial Court Canton, GA 30114
OPTION 2	Complete the online registration form at: http://www.gorillaplaysets.com/register
OPTION 3	Scan this QR Code with your smartphone to complete the form using your phone: 

Where did you buy this product?

Date of Purchase _____ Store _____ Store City _____ Store State _____

Your registration information:

Name: _____ Email: _____

Address: _____
Street City State Zip

Please select your age 18-30 31-40 41-50 51+

How old are your children? 2-3 4-5 6-7 8+

How would you rate the quality of this product? ★★★★★ Excellent ★★★★ Above Average ★★★ Average ★★ Below Average ★ Poor

Would you recommend this product to friends & family? Yes No

Comments: _____

THIS PAGE INTENTIONALLY LEFT BLANK

IMPORTANT – PLEASE READ

Congratulations! You have just purchase one of the finest residential wooden swing sets available today. As with any wooden product that spends its entire life outside, in varying elements, it is important to know what to expect with your new swing set so that your family can enjoy it for many years.

As your swing set acclimates to its new environment, natural characteristics of the wood can show in the form of checks, or “cracks” in the lumber. In almost all cases this is normal and it will not affect the structural integrity of your play set and is not covered under warranty.

KEEPING YOUR PLAYSET LIKE NEW

MUST DO's

The following owner responsibilities are crucial to the safety, integrity and aesthetic appeal of your swing set and may affect the warranty if not adhered to.

WITHIN 60 DAYS

- Check and tighten Hex Bolts/T-nuts, Carriage Bolts/Lock-nuts, and Lag Screws within the first 60 days and then twice annually – once before each season and then once during the season.

WITHIN 90 DAYS

- Apply a **sealant** or **semi-transparent stain with sealant** within the first 90 days of owning the swing set. Our own Stain/sealant is available online here: <http://www.gorillaplaysets.com/Playground-Sealant-p/10-0003.htm>

Oil based stain or water based stain may be used. Should you choose to use other stain we suggest asking the product covering specialists at any number of specialty paint stores or home improvement centers for a product that would work best for your local environment. ** TIP – while the set is new, take a small board from the store with you so they can color match the tint of the stain or sealant.

SEASONAL REMINDERS

- If your area experiences regular snowfall, remove your fabric tarp/canopy to avoid stretching, sagging or tearing of the material. Store it inside, folded up, and it will be as good as new when winter is over.
- If your area experiences extremely cold temperatures, remove swing belts and other pliable features to prolong the lifespan of these play activities.

OTHER TIPS

- Spray swing hangers with Pam, Mazola or olive oil to stop squeaking; do not use petroleum based products such as WD-40 or motor oil.
- To repel yellow jackets and wasps, use a cotton ball and dab interior wooden corners underneath the play set deck with a liquid dish soap. Avoid using insecticides.
- To speed up the slide wipe the center of slide with wax paper every 2 - 3 weeks.

For additional safety and maintenance guidelines, please visit our website.



IMPORTANT DOCUMENTS

CUSTOMER MUST READ AND RETAIN

Please go to the following links and read important **SAFETY** information prior to using your new play structure.

<http://www.gorillaplaysets.com/Swing-Set-Safety-s/85.htm>

<https://www.gorillaplaysets.com/Maintenance-s/129.htm>

<http://www.gorillaplaysets.com/manuals.html> (Click on your specific model)

<http://www.gorillaplaysets.com/Warranty-s/82.htm>

NOTE: Your children's safety is our #1 concern. Observing the following statements and warnings reduces the likelihood of serious injury. Please review these safety rules regularly with your children.

WARNING:

Children must NOT use this play set until it has been completely assembled and inspected by an adult to ensure it has been properly installed.

Gorilla Playsets
190 Etowah Industrial Court
Canton, GA. 30114



Model: 1801

(BOXES: 1800-1, 1800-2,
[1801 wood parts in slide box] &
Slide Box)

REV : 11.5.2015 (A)

TABLE OF CONTENTS

Safety Guidelines.....	Pages 3-6
Leveling Fort, General Information and Definitions.....	Pages 6-8
How to Install T-nuts, Board Identification, Predrill Lag Screw Directions and Swing Beam Loading.....	Pages 9-13
Site Plan, Required Tool List and Kit Contents.....	Pages 14-15
Hardware, Lumber and Accessory Checklists.....	Pages 16-27
Adding T-Nuts to Corner Posts.....	Steps 1-2
Framing Fort.....	Steps 3-7
Mounting Deck Supports.....	Step 8
Attaching Fort Side Supports.....	Step 9
Attaching Deck Spacers and Ladder Assembly.....	Steps 10-12
Building and Mounting Rockwall.....	Steps 13-15
Adding Deck Boards, Panel Supports and Wall Slats.....	Steps 16-18
Swing Beam Assembly.....	Steps 19-27
Center Posts, Framing Tarp.....	Steps 28-29
Mounting Slide.....	Step 30
Hanging Swings.....	Step 31
Securing Tarp.....	Step 32
Attaching Front Arch Board, Stringers, and Climbing Rope.....	Steps 33-35
Flag Kits.....	Step 36
Attaching Accessories and Ground Stakes.....	Steps 37-40
Attaching Safety Board.....	Step 41
Attaching Logo Plate.....	Step 42
Attaching Window Boards (1801).....	Step 43
Attaching Windows.....	Step 44

**PLEASE READ OWNER'S MANUAL CAREFULLY
BEFORE STARTING ASSEMBLY!**

Safety and Maintenance Tips for Your New Play Set:

NOTE: Your children's safety is our #1 concern. Observing the following statements and warnings reduces the likelihood of serious or fatal injury. Please review these safety rules regularly with your children.

- This play set is designed for the use of 4 occupants who have a combined weight not exceeding 800 pounds on the elevated floor, 3 occupants who have a combined weight of 425 pounds on the swing area, for a total Unit capacity of 7 occupants who have a combined weight of 1225. (This weight does not include any picnic table area(s).)
- On-site adult supervision is required.
- Teach children not to walk close to, in front of, behind, or between moving swings or other moving playground equipment.
- Teach children to sit in and never stand on swings
- Teach children not to twist the chains and ropes and not to loop them over the swing beam, since this may reduce the strength of the chain or rope.
- Teach children not to jump from swings or other playground equipment in motion.
- Teach children not to push empty seats. The seat may hit them and cause serious injury.
- Teach children to sit in the center of the swings with their full weight on the seats.
- Teach children not to use the equipment in a manner other than intended.
- Teach children to always go down slides feet first. Never slide headfirst.
- Teach children to look before they slide to make sure no one is at the bottom.
- Teach children to never run up a slide, as this increases their chances of falling.
- The parents should have the children dress appropriately with well-fitting shoes. Loose clothing such as scarves and ponchos should not be worn. Always take off, tie up or tuck in cords and drawstrings on children's clothing. These things can get caught on playground equipment and strangle a child.
- Teach children not to climb when the equipment is wet.
- Teach children to never jump from a fort deck. They should always use the ladder, ramp or slide.
- Teach children to never crawl or walk across the top of monkey bars or swing beam.
- Teach children to never crawl on top of a fort roof or on the outside of a tube slide.
- Verify that any suspended climbing ropes, chains, or cables are secured at both ends and that they cannot be looped around an adult hand.
- Teach children not to attach items to the playground equipment that are not specifically designed for use with the equipment, such as, but not limited to, jump ropes, clothesline, pet leashes, cables and chain as they may cause a strangulation hazard.
- Teach children to never wrap their legs around swing chain.
- Teach children to never slide down the swing chain.
- Teach children to remove their bike or other sports helmet before playing on the playground equipment.
- Teach children to NEVER look at the sun or other bright light through any accessory such as but not limited to a telescope, periscope or binoculars.

WARNING: Children must NOT use this play set until it has been completely assembled and inspected by an adult to insure it has been properly installed and the swing beam legs are anchored.

Safety and Maintenance Tips for Your New Play Set: (continued)

Playgrounds should be inspected on a regular basis. If any of the following conditions are noted, they should be removed, corrected, or repaired immediately to prevent injuries.

- Hardware that is loose, worn or that has protrusions or projections.
- Exposed equipment footings.
- Scattered debris, litter, rocks, or tree roots.
- Splinters, large cracks, and decayed wood components.
- Deterioration and corrosion on structural components, which connect to the ground.
- Missing or damaged equipment components, such as handholds, guardrails, swing seats.
- Check all nuts and bolts twice monthly during the usage season and tighten as required. (But not so tight that you crack the wood) We recommend you check the swing beam and hardware often due to wood expansion and contraction. It is particularly important that this procedure be followed at the beginning of each season.
- Remove plastic swing seats and take indoors or do not use when the temperature drops below 32°F. Reinstall swings and other swing equipment at the beginning of the usage season.
- Oil all metallic moving parts monthly during the usage period.
- Check all coverings for bolts and sharp edges twice monthly during usage season to be certain they are in place. Replace when necessary. It is especially important to do this at the beginning of each new season.
- Check swing seats, ropes, cables and chains monthly during usage season for evidence of deterioration. Replacement should be made of any swing seat that has developed cracks in the plastic seats. Ropes, cables and chains should be removed and replaced if excessive wear is found. Contact us for warranted replacement parts.
- Swing chains, rings, ropes, etcetera should always be fastened to a rotating swing hanger. NEVER attach a chain, ring, rope, etcetera to a stationary hanger such as but not limited to an eye bolt. Severe wear could occur leading to an injury.
- For rusted areas on metallic members such as monkey bars, hand supports brackets, etc.; sand and repaint, using a non lead-based paint meeting the requirements of Title 16 C.F.R. Part 1303. These requirements are available at: <http://www.cpsc.gov/>
- Inspect wood parts monthly. The grain of the wood sometimes will lift in the dry season causing splinters to appear. Light sanding may be necessary to maintain a safe playing environment. If you are treating your play set with stain regularly, it will help prevent severe checking/splitting and other weather damage.
- Once or twice a year, depending on your climate conditions, you must apply some type of protection (sealant) to the wood of your unit. Prior to the application of sealant, lightly sand any “rough” spots on your set. Please note this is a requirement of your warranty.
- Creating and maintaining the play set on a level location is very important. As your children play, your play set will slowly dig its way into the soil, and it is very important that it settles evenly. Make sure the play set is level and true once each year or at the beginning of each play season.
- Twice a month during the usage season rake the playground protective surfacing materials to prevent compaction and maintain appropriate depths. Replace the protective surfacing materials as required.
- Disposal Instructions: When the play set is no longer desired, it should be disassembled and disposed of in such away that no unreasonable hazards will exist at the time the play set is discarded.

Play Set Surfacing Recommendations:

Below are some of the recommendations that the U.S. Consumer Product Safety Commission (CPSC) offers from its Handbook for Public Playground Safety. The guide can be downloaded in full at www.cpsc.gov/cpscpub/pubs/325.pdf

1. Protective Surfacing - Since almost 60% of all injuries are caused by falls to the ground, protective surfacing under and around all playground equipment is the most critical safety factor on playgrounds.

Certain manufactured synthetic surfaces also are acceptable; however, test data on shock absorbing performance should be requested from the manufacturer.

Asphalt and concrete are unacceptable. They do not have any shock absorbing properties. Similarly, grass and turf should not be used. Their ability to absorb shock during a fall can be reduced considerably through wear and environmental conditions.

Certain loose-fill surfacing materials are acceptable. Surfacing materials are acceptable, such as the types and depths shown in the table.

Fall Heights and Materials

Type Of Material	6 in. depth	9 in. depth	12 in. depth
Double-Shredded bark mulch	6' Fall Height	10' Fall Height	11' Fall Height
Wood Chips	6' Fall Height	7' Fall Height	12' Fall Height
Fine Sand	5' Fall Height	5' Fall Height	9' Fall Height
Shredded Tires*	10-12' Fall Height	N/A	N/A
Fine Gravel	6' Fall Height	7' Fall Height	10' Fall Height

*This data is from tests conducted by independent testing laboratories on a 6-inch depth of uncompressed shredded tire samples produced by four manufacturers. The tests reported critical heights, which varied from 10 feet to greater than 12 feet. It is recommended that persons seeking to install shredded tires as a protective surface request test data from the supplier showing the critical height of the material when it was tested in accordance with ASTM F1292.

It should be recognized that all injuries due to falls cannot be prevented no matter what surfacing material is used.

2. Fall Zones - A fall zone, covered with a protective surfacing material, is essential under and around equipment where a child might fall. This area should be free of other equipment and obstacles onto which a child might fall. Stationary climbing equipment and slides should have a fall zone extending a Minimum of 6' in all directions from the perimeter of the equipment.

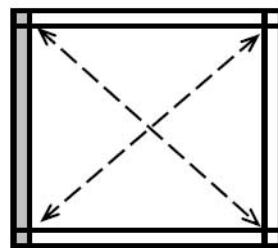
Swings should have a fall zone extending a minimum of 6' from the outer edge of the support structure on each side. The fall zone in front and back of the swing should extend out a minimum distance of twice the height of the swing as measured from the ground to the top of the swing support structure.

LEVELING YOUR FORT DURING ASSEMBLY

- Complete the steps which will be the basic frame of the fort. {i.e. four corner posts with base (sand box boards) and deck supports}
- Position in the most level area chosen for the play set, keeping in mind the location and size of the swing beam, ladder, slides, etc. that extend off the fort.
- Once the frame is in the final position, check for vertical and horizontal levelness to determine which side(s) will need to be dug into the ground to level the play set.
- With a shovel, score the ground around the outside edges of the sandbox boards on the 'high' side of the fort. This is the area that will be dug in. Make sure to score deep enough; the scored lines will be your digging template.
- Push the frame off and away from the scored area, far enough to dig and remove dirt to reach the appropriate depth.
- Dig a channel along the scored line(s) for the base of the fort (corner post and sandbox boards) to rest into. Dig the channel(s) to the same level depth. The bottom of the channel(s) should be level to each other so your frame doesn't teeter or rock because the channel(s) are uneven.
- Once you have removed enough grass and dirt, slide/push the frame into the channel(s). Place a level on the vertical and horizontal boards of the frame to determine if enough soil, or too much, was removed.
- Repeat this process until the basic frame is plumb and level and in its final position before completing the rest of the assembly.
- Measure to make sure fort is square.

Important: if you require a channel depth of more than 6", then we recommend you have your play set area professionally graded before completing assembly.

Example Play area:



The diagonal measurements should be the same from corner post to corner post. If not, adjust corner posts so that the distance is equal.

■ = Area to be scored and channeled for levelness

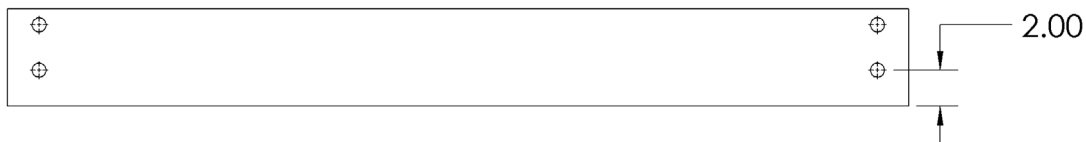
General Info to Review Before Installation

- Depending on your experience, assembly of the playset can take as little as 6 hours up to 24 hours, depending on size, after inventory of parts; therefore, we recommend you set aside a full two days for assembly.
- Identify all of the parts for your play set. Empty each box and lay out boards so you can see each part. Your instruction book will have detailed drawings that will make it easy for you to recognize individual parts. Keep all hardware and metal parts separate from wooden pieces.
- After everything is laid out, check carefully to ensure all parts are present. Make sure there are no broken boards.
- Find an area to sort your hardware. It is best to open the hardware on a solid surface so that you do not lose any pieces in the grass. This will save time and familiarize you with all the different pieces in the hardware bag.
- Important note: Wood has some natural defects such as knots, surface cracks, etc... We reject parts that are structurally defective. We use a high quality lumber in our structures; however, you should inspect each part for splinters or rough spots and sand them smooth to prevent injury.
- After familiarizing yourself with all of the components, read all instructions thoroughly. Reading instructions after you have studied the parts will help you understand the installation process, and help to eliminate unnecessary mistakes.
- Pay close attention to the diameter and length of each bolt and screw.
- Never tighten hardware completely at first. It helps to have some adjustment for bolt alignment while you are attaching parts together. After everything is square, tighten each joint.
- After the main unit is assembled it is critical that the floor is level and square. If the main frame is not level, the walls and floor will be out of square.
- After you complete installation, make sure every bolt, screw, and nut is tight, and every board is secure. Wood will expand and contract with the seasons.
- Place the set on level ground, not less than 6 feet from any structure or obstruction such as a fence, garage, house, overhanging branches, laundry lines, or electrical wires.

This page is a list of definitions and explanations used throughout our instructions to aid you in the assembly of your play set.

Offset Holes- Throughout the installation procedures we will refer to parts with offset holes. This refers to the orientation of the holes on the board. An offset hole is one that is closer to one side than it is the other or in other words, it is not centered on the board. In the procedures you will be instructed to attach the boards with the holes offset up or with the holes offset down. This refers to which side of the board the hole/holes should be closer to. Offset holes up= hole/holes will be closer to the top of the board. Offset holes down= hole/holes will be closer to the bottom of the board. Note: some parts do not have offset holes, but instead the holes are on center. Therefore there will not be any reference on how to offset these parts.

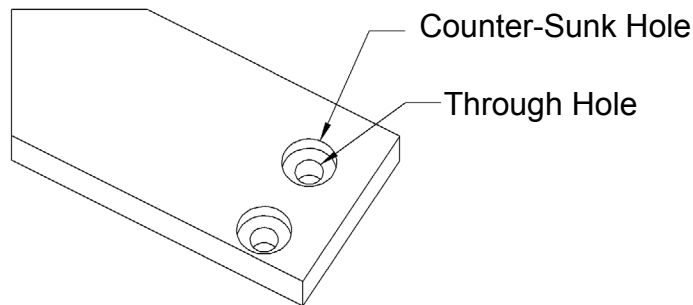
EXAMPLE OF OFFSET HOLES UP



EXAMPLE OF OFFSET HOLES DOWN



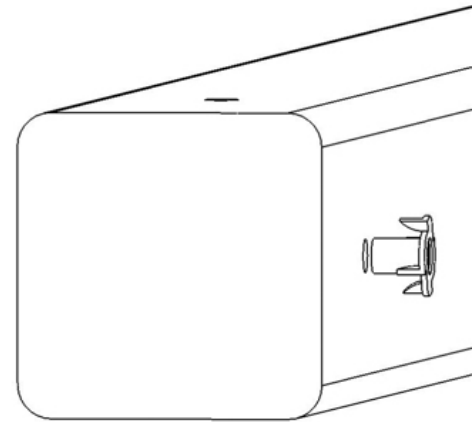
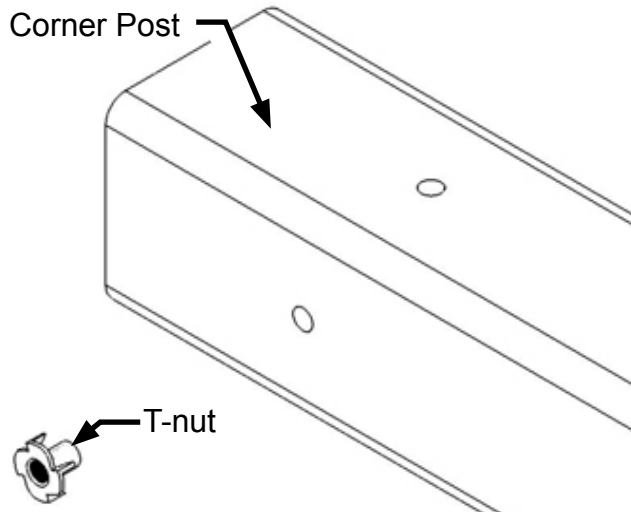
Counter-sunk holes - Many of the parts that will be used have counter-sunk holes. A counter-sunk hole is one that surrounds one side of a through hole, but does not extend through the wood it's self. When using a counter-sunk hole the bolt will be inserted through the through hole and either the head of the bolt and washer or nut and washer will occupy the counter sunk hole.



Lag Screws- Lag screws are used in the construction of our play sets to enhance the structural integrity of the unit. There will not be predrilled holes in the post for lag screw installation. Lag screws are self-tapping, though if you are using a manual socket wrench it may be advantageous to pre-drill a hole first. Instructions for this are provided on a separate page in the front of the manual. Be sure to tighten the lags completely when driving them in by hand. Power tools such as a heavy duty impact driver or large power drill should have enough torque to drive in the lag screws, but make sure not to over tighten as this can cause the threads to “strip out” in the post.

Common Installation Practice Installing T-nuts

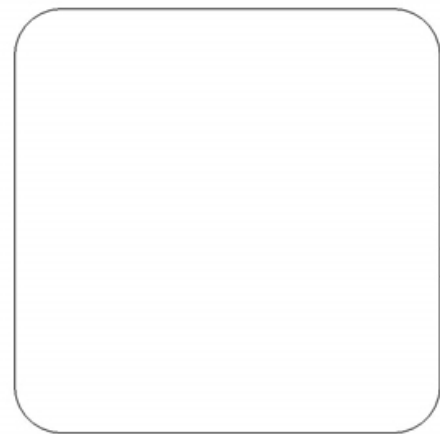
When installing T-nuts into the wood, use a smooth faced hammer to set the face of the T-nut flush into the wood.



Insert the barrel of the T-nut into the predrilled hole. Using a smooth faced hammer, drive the T-nut until the face of the T-nut is flush to the wood.



This picture shows the T-nut inserted and installed flush to the wood.



This picture shows an end view of the T-nut installed flush to the wood.

WARNING: DO NOT EMBED THE TOP OF THE T-NUT INTO THE FACE OF THE WOOD



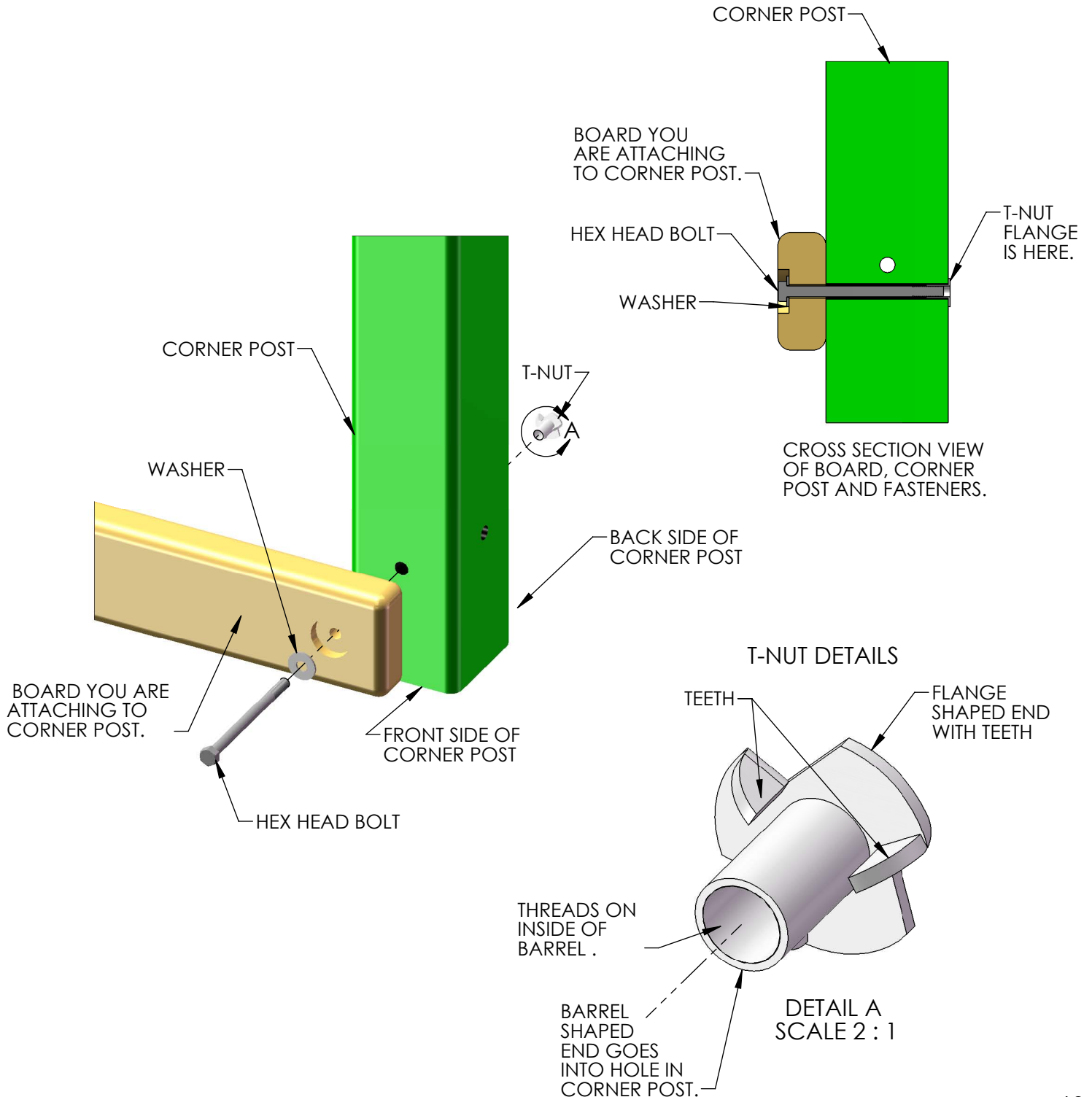
Cross Section end view, you are looking at an X-ray view of the post and T-nut. The barrel of the T-nut is in the corner post the line is the face of the wood.

HOW A T-NUT WORKS

THE FIRST STEP IN OUR ASSEMBLY INSTRUCTIONS IS TO INSERT T-NUTS INTO THE CORNER POSTS. A T-NUT IS A FASTENER WHICH IS THREADED ON THE INSIDE AND IT FUNCTIONS JUST LIKE A STANDARD HEX NUT. YOU INSERT THE T-NUTS INTO THE PREDRILLED HOLES IN THE CORNER POSTS.

THE T-NUT HAS A BARREL SHAPED END WHICH GOES INTO THE HOLE IN THE CORNER POST. THE T-NUT ALSO HAS AN FLANGE SHAPED END WITH TEETH. THE TEETH PENETRATE INTO THE CORNER POST WOOD TO PREVENT THE T-NUT FROM SPINNING WHEN YOU TIGHTEN THE HEX HEAD BOLT.

SHOWN BELOW YOU WILL SEE THE T-NUT IS HAMMERED INTO THE CORNER POST ON THE BACK SIDE. THE BOARD IS BEING ATTACHED ON THE FRONT SIDE OF THE CORNER POST.



BOARD IDENTIFICATION

1. On the end of each board there should be a small white tag that is stapled or stuck into place. Remove the staples and/or tag after the board is installed.
2. This white identification tag displays the thickness, width, length and an abbreviated description of the part.

Example: a tag reads "2-4-3600-BPB"

- The 2 is the thickness of the board. "Nominal Lumber" at a home center will measure 1-1/2" for the thickness. We "remill" that lumber to 1-3/8" thick.
- The 4 is the width of the board. "Nominal Lumber" at a home center will measure 3-1/2" for the width. We "remill" that lumber to 3-3/8" wide.
Note: sometimes the width will be smaller than 3-3/8" because:
A) We need the width of the part to fit into a certain area of the play set.
B) We need the designation to be simple.
- The 3600 is the length of the board. It means the board is 36 inches long. If the code were 3625 then the board is 36-1/4" in length.
- The "BPB" abbreviation stands for "Bottom Panel Board". The wood part bill of materials in the instructions has a description which will match the abbreviation closely.
- In the event that there is no tag on a wood part measure the part then:
A) Use the measurements and compare them to the wood list at the front of the instructions to identify it.
B) Look at the holes on the wood part and compare them to the pictures in the wood list.
C) Look to see if the holes are centered or if they are offset up or offset down.
This should help you identify any parts that have missing tags. In the event that you cannot identify a board please email us for assistance.



PRE-DRILL LAG SCREW DIRECTIONS

Pre-drilling holes for lag screws will make it easier to drive the screws in by hand. "Jobber" length drill bits are available in sizes that are longer than standard drill bits and those are ideal for the job. When using the drill bit you will have to "spot" drill the post and then remove the board you are attaching to finish drilling the hole.

Pay attention to the *DIAMETER* of the lag screw you are installing. Your playset may come with two different diameter lag screws. Each diameter will require a different size drill bit. When installing lag screws **DO NOT OVERTIGHTEN.**

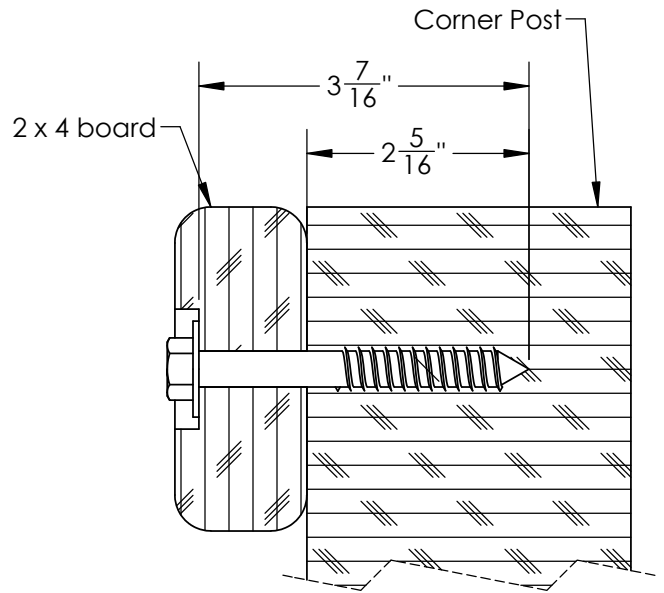
LAG SCREW DIAMETER	DRILL BIT SIZE
5/16" DIAMETER	9/64"
3/8" DIAMETER	11/64"

Example: 3/8" diameter x 3-1/2" lag screw

This would be like the 2 x 4 board installation shown below. Place the board into position. Spot Drill through the holes in the 2 x 4 board into the corner posts with an 11/64" drill bit. Remove the 2 x 4 board. Continue to drill the holes to a total depth of 2-5/16" as shown at the right. Install the 2 x 4 board.

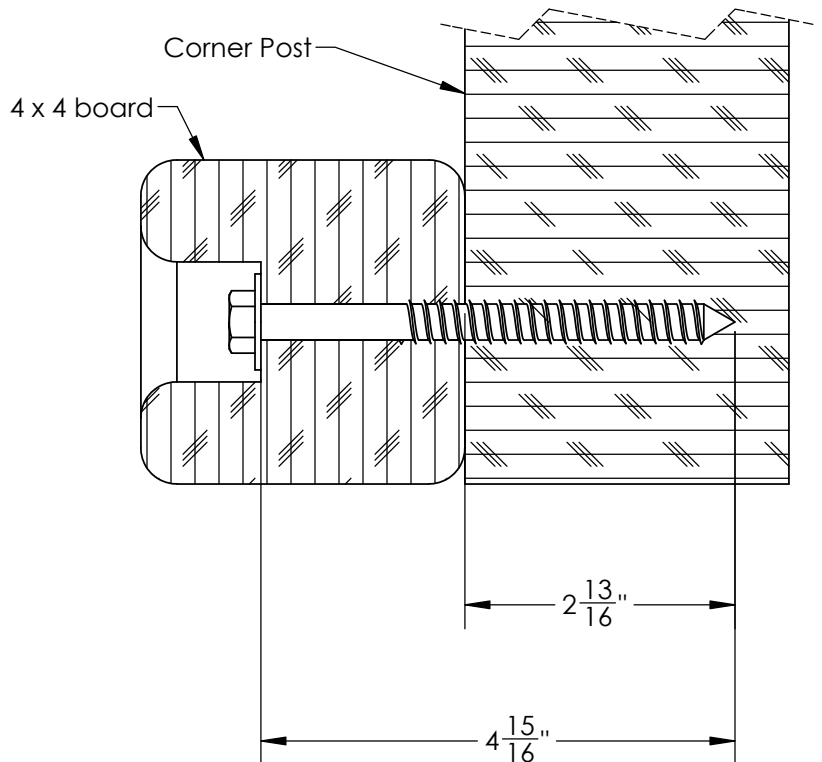
Example 5/16" diameter x 3-1/2" lag screw

This would be like the 2 x 4 board installation shown below. Place the board into position. Spot Drill through the holes in the 2 x 4 board into the corner posts with an 9/64" drill bit. Remove the 2 x 4 board. Continue to drill the holes to a total depth of 2-5/16" as shown at the right. Install the 2 x 4 board.



Example 3/8" diameter x 5" lag screw

This would be like the 4 x 4 board installation shown below. Place the board into position. Spot drill through the holes in the 4 x 4 board into the corner posts with an 11/64" drill bit. Remove the 4 x 4 board. Continue to drill the holes to a total depth of 2-13/16" as shown at the right. Install the 4 x 4 board.



SWING BEAM LOADING

Weight Limits for Accessories:

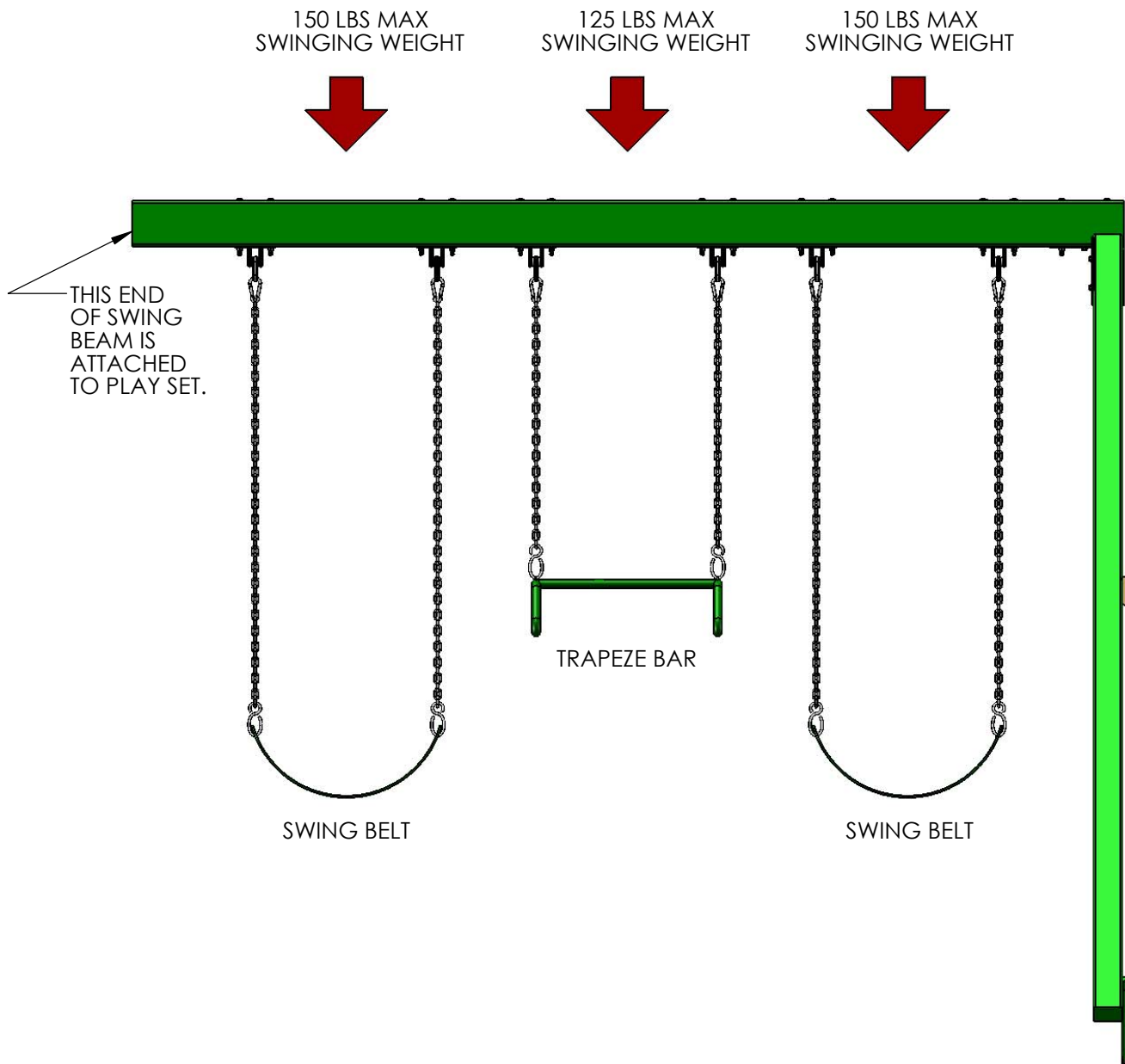
The weight limit for a Swing Belt is 225 lbs. (Although 150lbs is the maximum recommended swinging weight capacity for the swing position.)

The weight limit for a Trapeze Bar is 125 lbs.

Maximum Allowable swinging weight for a three position swing:

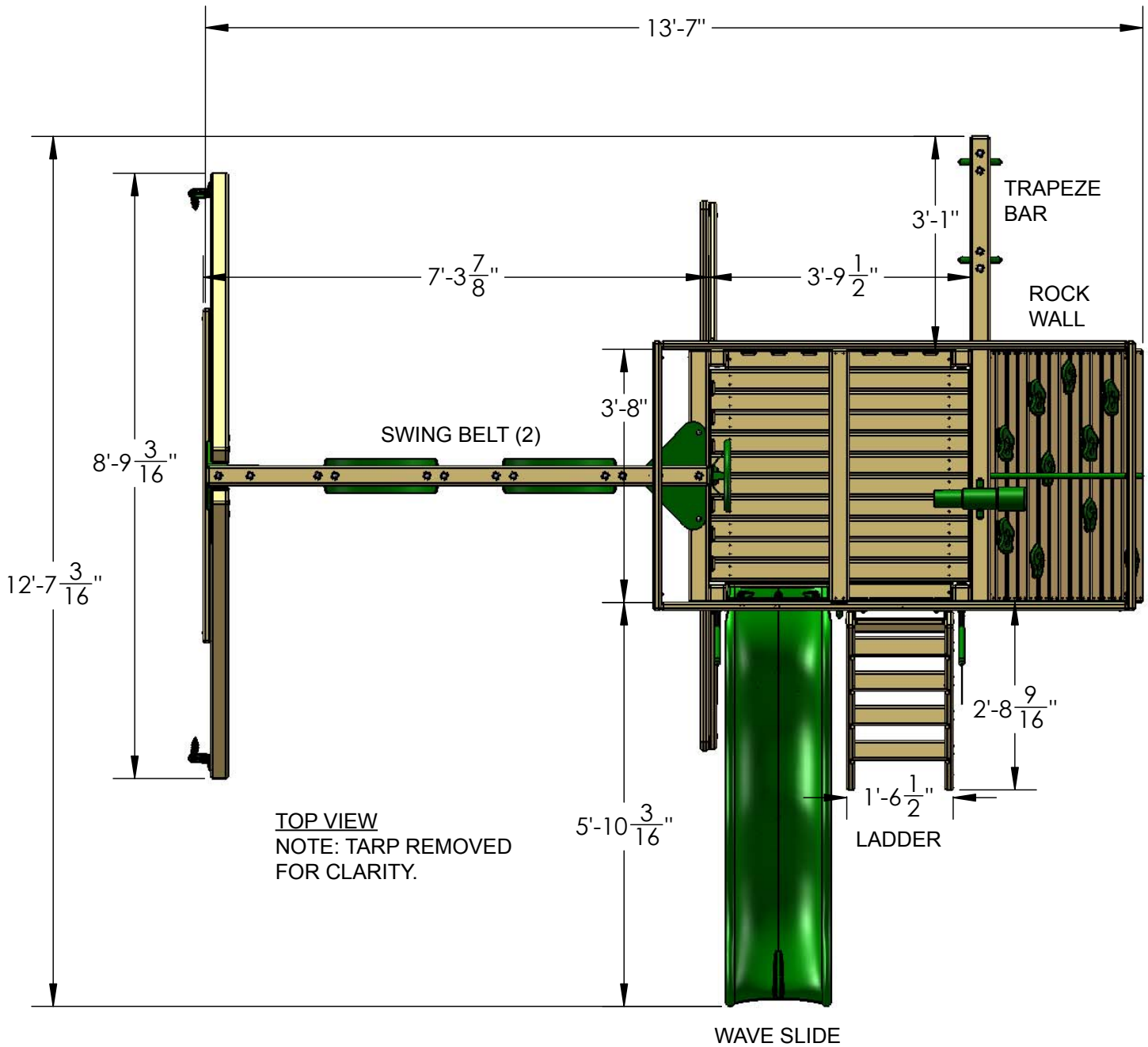
- 1) The maximum allowable swinging weight at each Swing Belt position is 150 lbs.
- 2) The maximum allowable swinging weight at the Trapeze position is 125 lbs.
- 3) The **MAXIMUM SWING BEAM LOAD IS 425 lbs.**

MAXIMUM SWING BEAM LOAD IS 425 LBS.



Please familiarize yourself with the manual, parts/components and general construction process of your new playset before getting started.

SITE PLAN:



Playset height: 10 feet - 3 inches

Swing Beam height: 7 feet - 2-1/2 inches

Deck Height: 4 feet

Approximate assembly time: 5-7 hours

(6) foot unobstructed safety perimeter around playset recommended

REQUIRED TOOL LIST:

- ___ Standard or Cordless Drill w/ Phillips Bit (#2 square bit provided)
- ___ Drill Bits 1/8", 3/16", 3/8", 11/64"
- ___ 1/2" Wrench and Socket
- ___ 1/2" Deep Well Socket
- ___ 9/16" Deep Well Socket
- ___ 9/16" Wrench and Socket
- ___ Level
- ___ Tape Measure
- ___ Extension Cord (if using standard drill)
- ___ Hammer
- ___ Pencil
- ___ Locking Pliers (Vise Grips)
- ___ Shovel

KIT CONTENTS

Swings, Slides, Accessories:

- ___ (Qty) Description
- ___ (2) Swingbelt w/ Chains
- ___ (1) Trapeze Swing
- ___ (1) Wiki Wave Slide 8'
- ___ (1) Assembly Manual
- ___ (10) Rock Wall Grips (assorted colors)
- ___ (1) Telescope
- ___ (1) Steering Wheel
- ___ (2) Safety Handle
- ___ (1) Tarp (05-0013)
- ___ (4) Ground Stake
- ___ (2) Flag
- ___ (2) Plastic Window 07-0029-G

Fort Hardware:

see following pages

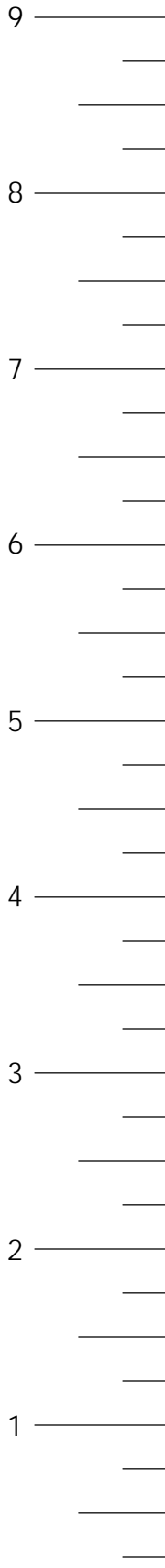
Swing Beam Hardware:

see following pages

Wood Components:

see following pages

11-0053
 1800 HARDWARE
 PAGE 1 OF 2
 REV D: 8/24/2015 JH



#14 X 1-1/4"
 PAN HEAD SCREW
 QTY: 9

#8 X 1-1/4"
 WOOD SCREW
 QTY: 4



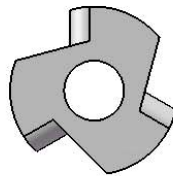
#8 X 2"
 WOOD SCREW
 QTY: 183



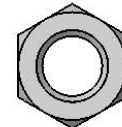
#8 X 2-1/2"
 WOOD SCREW
 QTY: 28



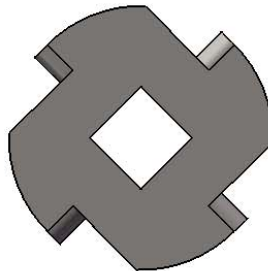
#8 X 3"
 WOOD SCREW
 QTY: 4



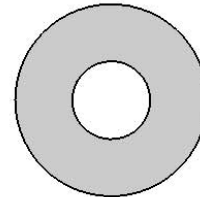
5/16" TEE NUT
 QTY: 42



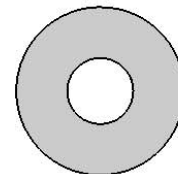
3/8" LOCK NUT
 QTY: 21



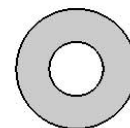
TORQUE WASHER
 QTY: 19



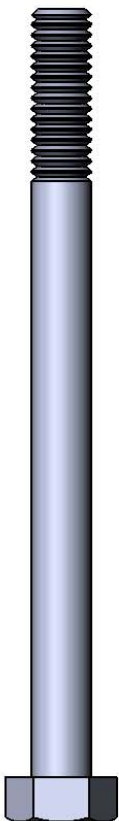
3/8" WASHER
 QTY: 37



5/16" WASHER
 QTY: 42



1/4" WASHER
 QTY: 6



5/16 X 4"
 HEX BOLT
 QTY: 32



5/16 X 2-1/2"
 HEX BOLT
 QTY: 6



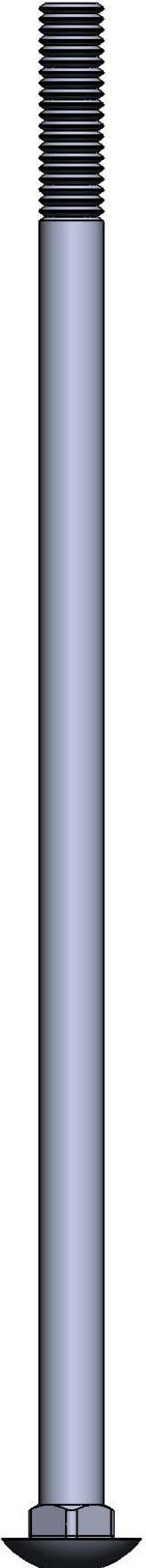
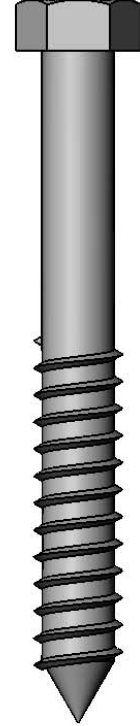
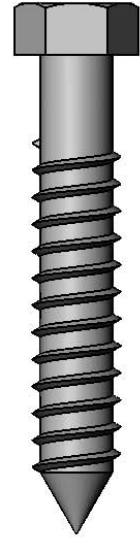
5/16 X 1-1/2"
 HEX BOLT
 QTY: 4

USE THE RULER TO THE RIGHT TO MEASURE YOUR BOLTS AND SCREWS. PICTURE VIEWS SHOWN ABOVE ARE 1:1 SCALE AND CAN BE USED TO MATCH BOLT AND SCREW SIZES.

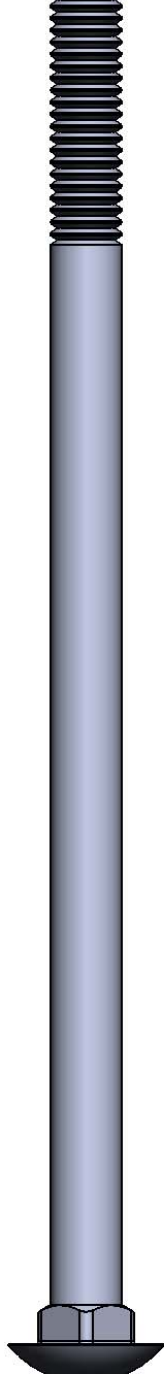
11-0053
 1800 HARDWARE
 PAGE 2 OF 2
 REV D: 8/24/2015 JH

3/8 X 2-1/2"
 HEX LAG
 SCREW
 QTY: 8

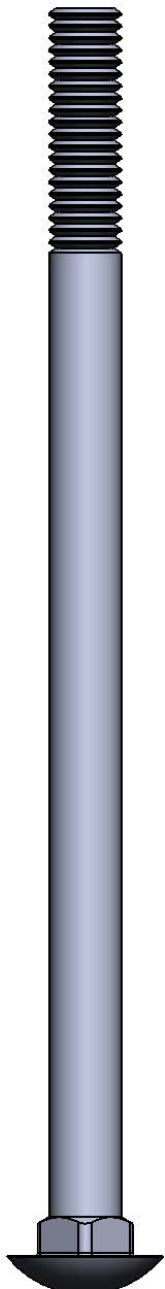
3/8 X 3-1/2"
 HEX LAG
 SCREW
 QTY: 8



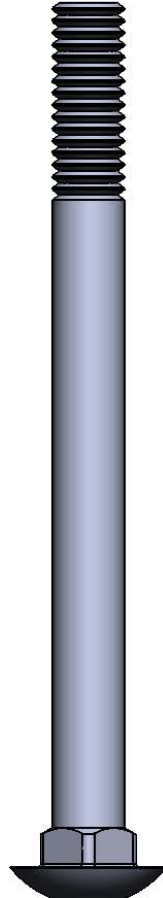
3/8" X 9"
 CARRIAGE BOLT
 QTY: 1



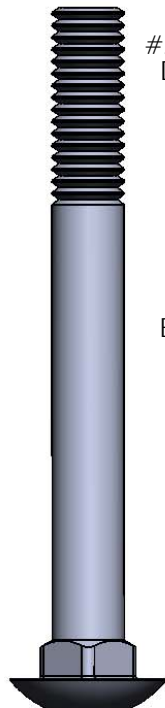
3/8" X 7"
 CARRIAGE BOLT
 QTY: 10



3/8" X 6-1/2"
 CARRIAGE BOLT
 QTY: 4



3/8" X 4-1/2"
 CARRIAGE BOLT
 QTY: 4



3/8" X 3-1/2"
 CARRIAGE BOLT
 QTY: 2



#2 SQUARE
 DRIVE BIT
 QTY: 1



PLASTIC
 BOLT CAP
 QTY: 21

USE THE RULER TO THE RIGHT TO MEASURE YOUR BOLTS AND SCREWS. PICTURE VIEWS SHOWN ABOVE ARE 1:1 SCALE AND CAN BE USED TO MATCH BOLT AND SCREW SIZES.

1801 - TreeHouse
HARDWARE
rev A

PAGE 1 OF 1

7/20/2015 S.O.

#8 X 1-1/2"
WOOD SCREW
QTY: 24



#8 X 1-1/4"
WOOD SCREW
QTY: 8



9

8

7

6

5

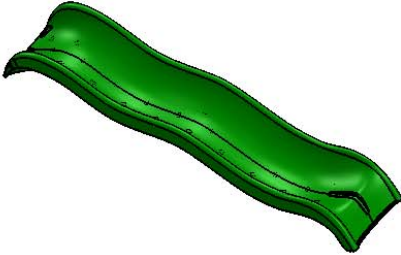


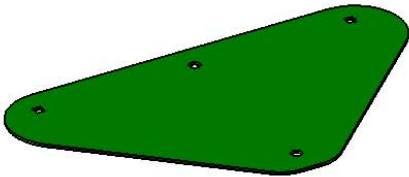

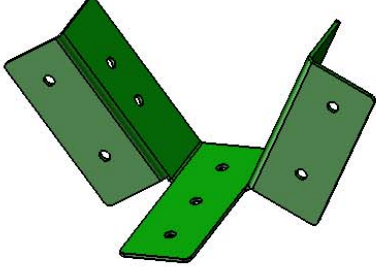
4


3



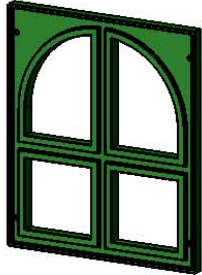
2

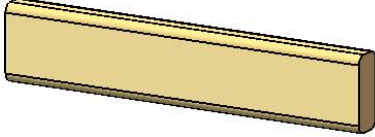
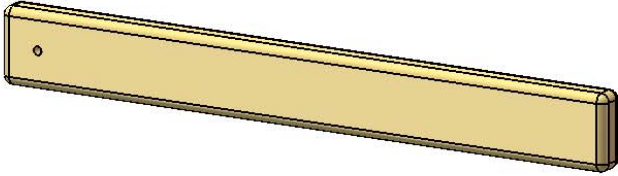
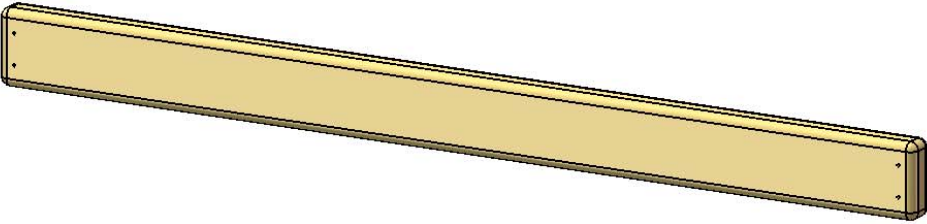
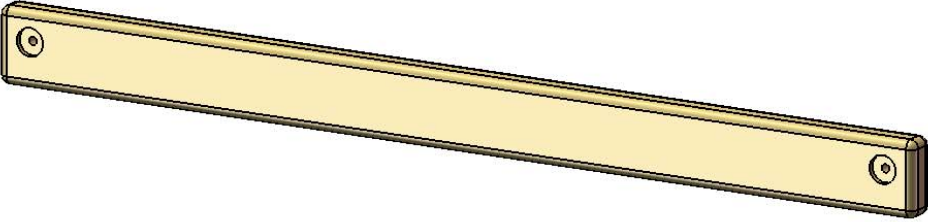
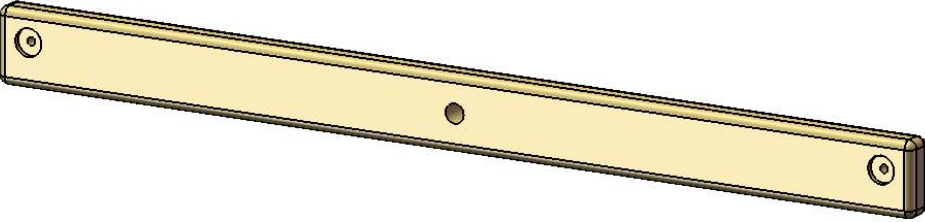
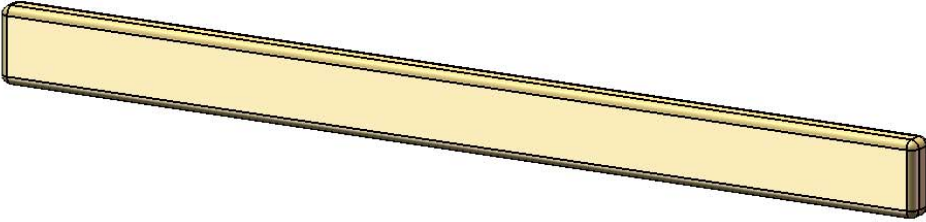
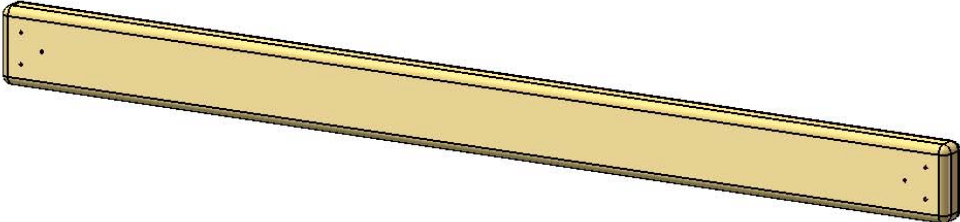
1

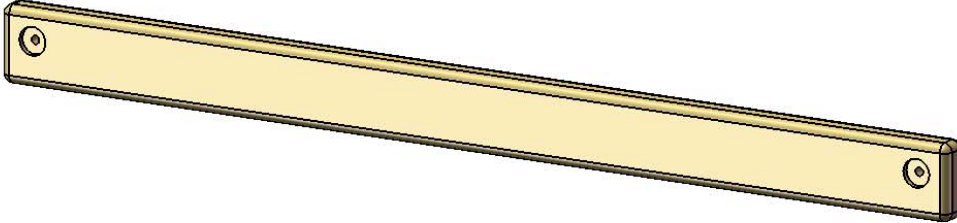
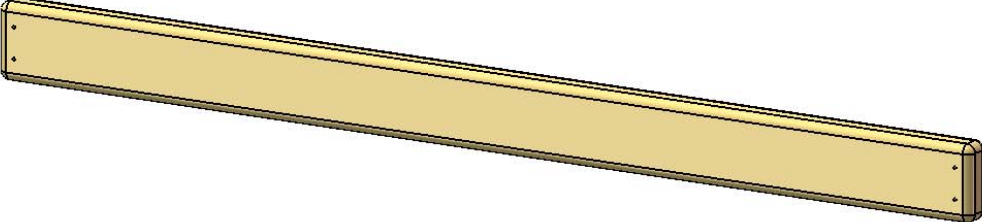
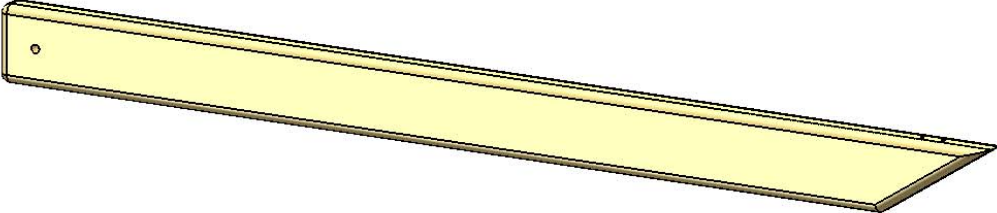
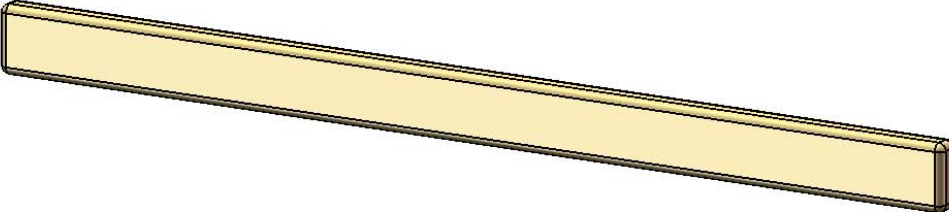
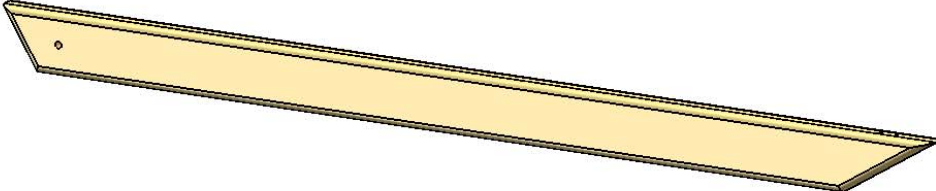
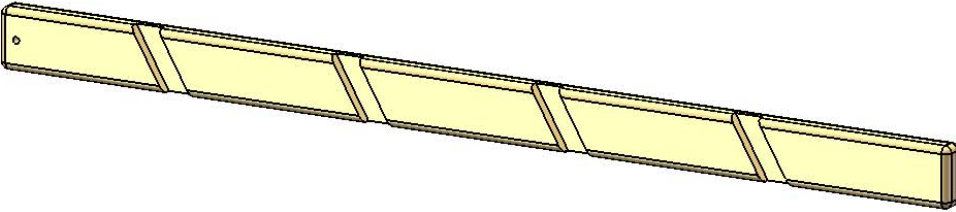
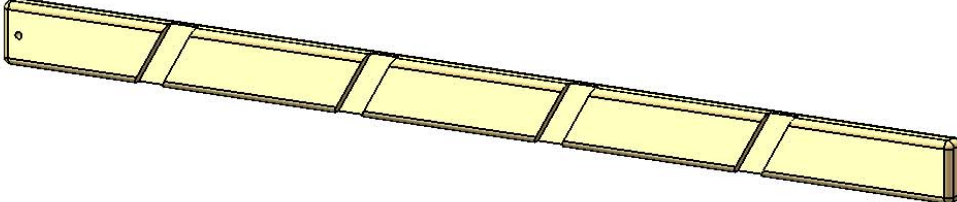
USE THE RULER TO THE RIGHT TO MEASURE YOUR BOLTS AND SCREWS. PICTURE VIEWS SHOWN ABOVE ARE 1:1 SCALE AND CAN BE USED TO MATCH BOLT AND SCREW SIZES.

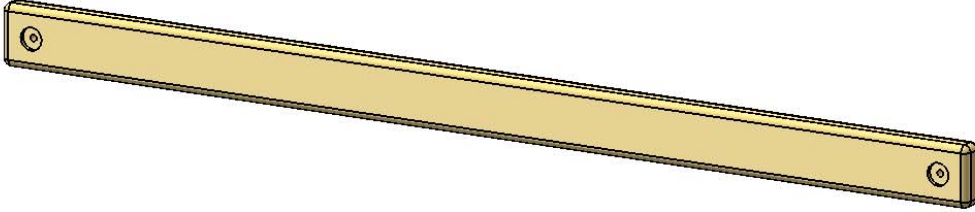
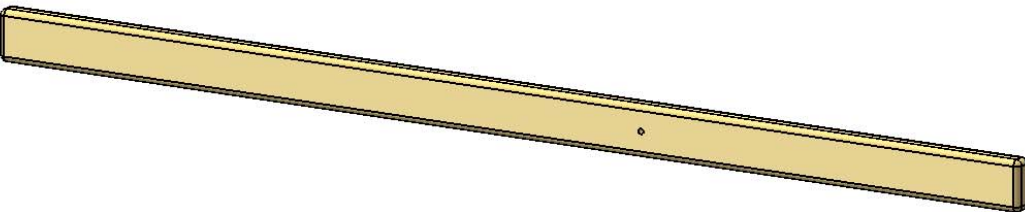
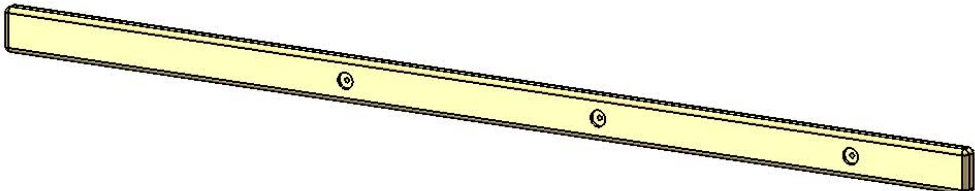
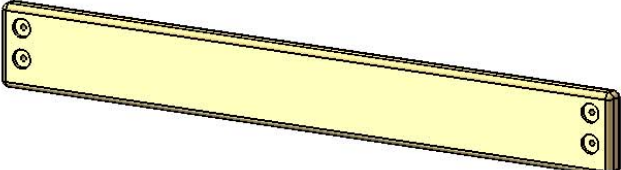
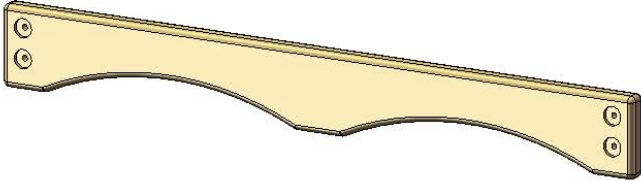
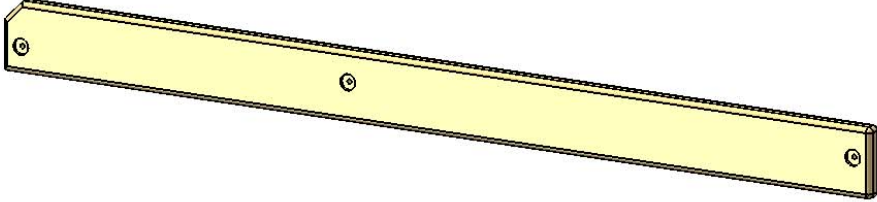
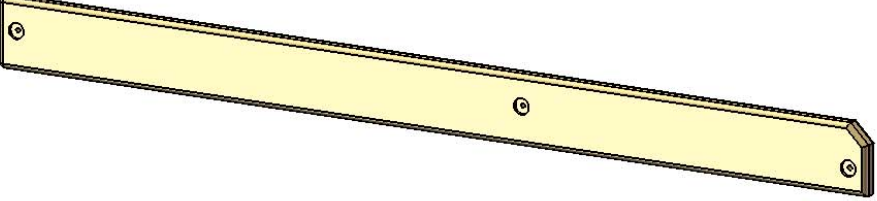
PICTURE	DESCRIPTION	QTY.
	<p>8' WIKI WAVE SLIDE 03-0015</p>	<p>1</p>
	<p>SWING W/CHAINS 04-0002</p>	<p>2</p>
	<p>TRAPEZE BAR W/CHAINS 04-0006</p>	<p>1</p>
	<p>SWING PLATE 11-5002</p>	<p>1</p>
	<p>CLIMBING ROCK (5 IN A BAG) 07-0008</p>	<p>10</p>
	<p>A-FRAME SWING LEG BRACKET 11-5010</p>	<p>1</p>
<p>HARDWARE BOXES: 1800, 1801</p>	<p>HARDWARE BOXES INSTRUCTIONS</p>	<p>1EA</p>

PICTURE	DESCRIPTION	QTY.
	IRON DUCTILE SWING HANGER 11-4024	6
	90° GREEN BRACKET 11-5013	2
	10' ROPE	1
	TARP 44" X 113" 05-0013	1
	FLAG 09-1014	2
	GROUND STAKE (2 IN A BAG) 07-0016-P	4
	TELESCOPE 07-0001	1

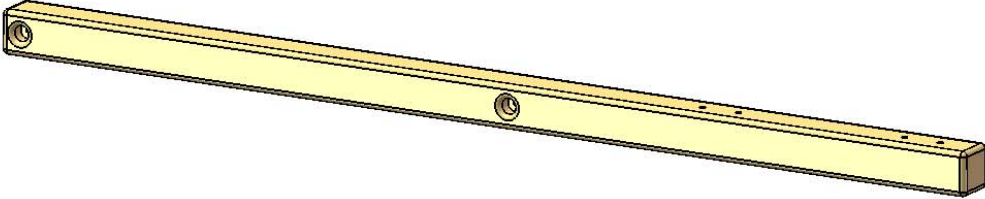
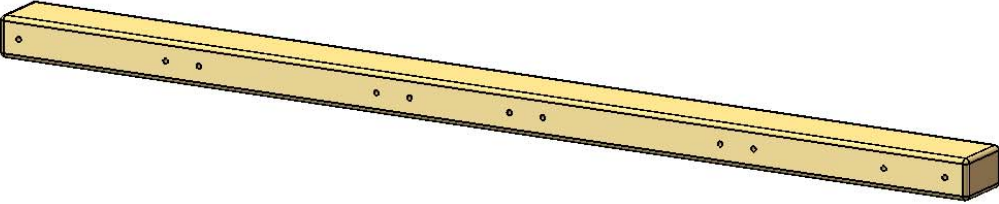
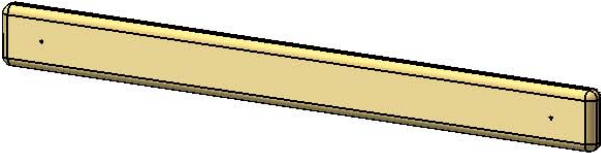
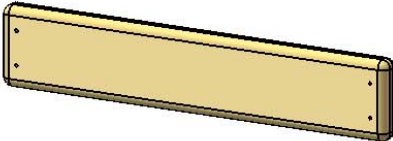
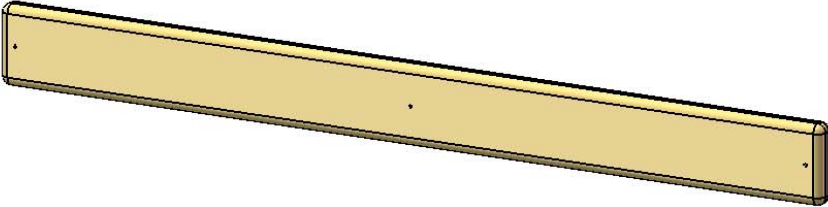
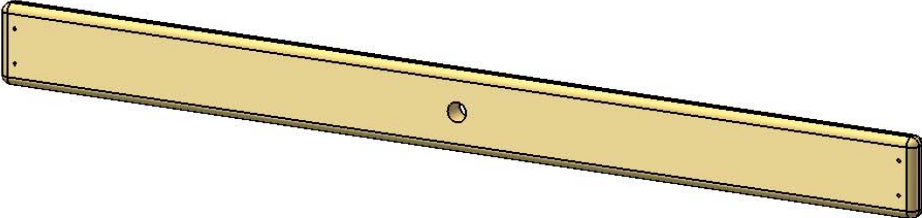
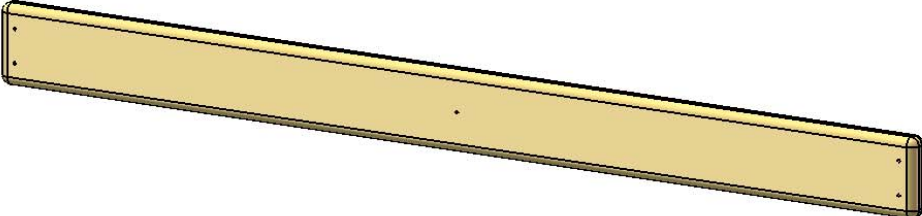
PICTURE	DESCRIPTION	QTY.
	STEERING WHEEL 07-0004	1
	SAFETY HANDLE (2 IN A BAG) 07-0005	2
(NOT SHOWN)	LOGO PLATE	1
	PLASTIC WINDOW 07-0029-G	2
		21

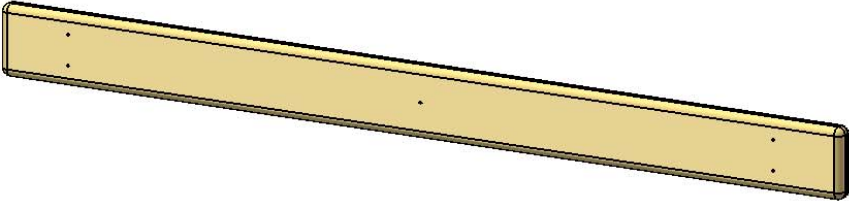
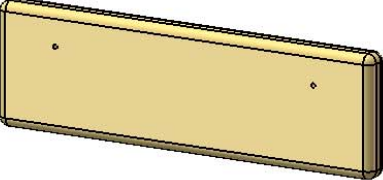
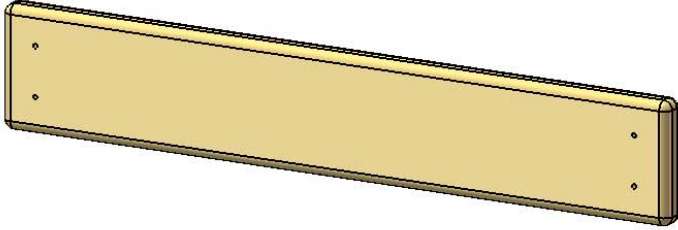
PICTURE	DESCRIPTION	QTY.
	2 X 4 X 17" LADDER STEP 2-4-1700-LS	4
	2 X 4 X 29" REAR CENTER POST 2-4-2900-RCP	1
	2 X 4 X 44" CENTER TARP BOARD 2-4-4400-CTB	1
	2 X 4 X 44" DECK AND PANEL SUPPORT 2-4-4400-DPS	5
	2 X 4 X 44" ROCK WALL SIDE TOP PANEL BOARD 2-4-4400-RWSTPB	1
	2 X 4 X 44" STRINGER 2-4-4400-S	1
	2 X 4 X 45-1/2" FRONT FACE BOARD 2-4-4550-FFB	1

PICTURE	DESCRIPTION	QTY.
	2 X 4 X 45-1/2" PANEL SUPPORT 2-4-4550-PS	2
	2 X 4 X 46-3/4" END TARP BOARD 2-4-4675-ETB	2
	2 X 4 X 47-1/2" FORT SIDE SUPPORT 2-4-4750-FSS	2
	2 X 4 X 51" ROCK WALL STRINGER 2-4-5100-RWS	1
	2 X 4 X 56" ROCK WALL SIDE SUPPORT 2-4-5600-RWSS	2
	2 X 4 X 57" LADDER LEFT SIDE 2-4-5700-LLS	1
	2 X 4 X 57" LADDER RIGHT SIDE 2-4-5700-LRS	1

PICTURE	DESCRIPTION	QTY.
	<p>2 X 4 X 58" SWING LEG CROSS MEMBER</p> <p>2-4-5800-CM</p>	<p>1</p>
	<p>2 X 4 X 73-9/16" FRONT CENTER POST</p> <p>2-4-7356-FCP</p>	<p>1</p>
	<p>2 X 4 X 81" TARP SUPPORT BOARD</p> <p>2-4-8100-TSB</p>	<p>2</p>
	<p>2 X 6 X 44" END SANDBOX BOARD</p> <p>2-6-4400-ESB</p>	<p>1</p>
	<p>2 X 6 X 45-1/2" FRONT ARCH BOARD</p> <p>2-6-4550-FAB</p>	<p>1</p>
	<p>2 X 6 X 73" LEFT SIDE SANDBOX BOARD</p> <p>2-6-7300-LSSB</p>	<p>1</p>
	<p>2 X 6 X 73" RIGHT SIDE SANDBOX BOARD</p> <p>2-6-7300-RSSB</p>	<p>1</p>

PICTURE	DESCRIPTION	QTY.
	<p>2 X 6 X 95-1/2" END SANDBOX BOARD</p> <p>2-6-9550-ESB</p>	<p>1</p>
	<p>3 X 3 X 96" CORNER POST 1</p> <p>3-3-9600-CP1</p>	<p>1</p>
	<p>3 X 3 X 96" CORNER POST 2</p> <p>3-3-9600-CP2</p>	<p>1</p>
	<p>3 X 3 X 96" CORNER POST 3</p> <p>3-3-9600-CP3</p>	<p>1</p>
	<p>3 X 3 X 96" CORNER POST 4</p> <p>3-3-9600-CP4</p>	<p>1</p>
	<p>3 X 3 X 96" SWING LEG</p> <p>3-3-9600-SL</p>	<p>2</p>
	<p>4 X 4 X 44" SWING BEAM MOUNT</p> <p>4-4-4400-SBM</p>	<p>1</p>

PICTURE	DESCRIPTION	QTY.
	<p>4 X 4 X 81" TRAPEZE ARM 4-4-8100-TA</p>	<p>1</p>
	<p>4 X 6 X 87-1/4" SWING BEAM 4-6-8725-SB</p>	<p>1</p>
	<p>5/4 X 3 X 28-1/2" PANEL SLAT 125-3-2850-PS</p>	<p>14</p>
	<p>5/4 X 4 X 18-1/2 " LADDER BACK 125-4-1850-LB</p>	<p>1</p>
	<p>5/4 X 4 X 39-1/2" DECK SPACER 125-4-3950-DS</p>	<p>2</p>
	<p>5/4 X 4 X 44" BOTTOM ROCK WALL BOARD 125-4-4400-BRWB</p>	<p>1</p>
	<p>5/4 X 4 X 44" ROCK WALL BOARD 125-4-4400-RWB</p>	<p>15</p>

PICTURE	DESCRIPTION	QTY.
	<p>5/4 X 4 X 45-1/2" DECK BOARD 125-4-4550-DB</p>	<p>10</p>
<p>1801</p> 	<p>1 X 4 X 11-1/4" WINDOW FILLER BOARD 1-4-1125-WFB</p>	<p>4</p>
	<p>1 X 4 X 20" WINDOW PANEL BOARD 1-4-2000-WPB</p>	<p>4</p>
		<p>27</p>

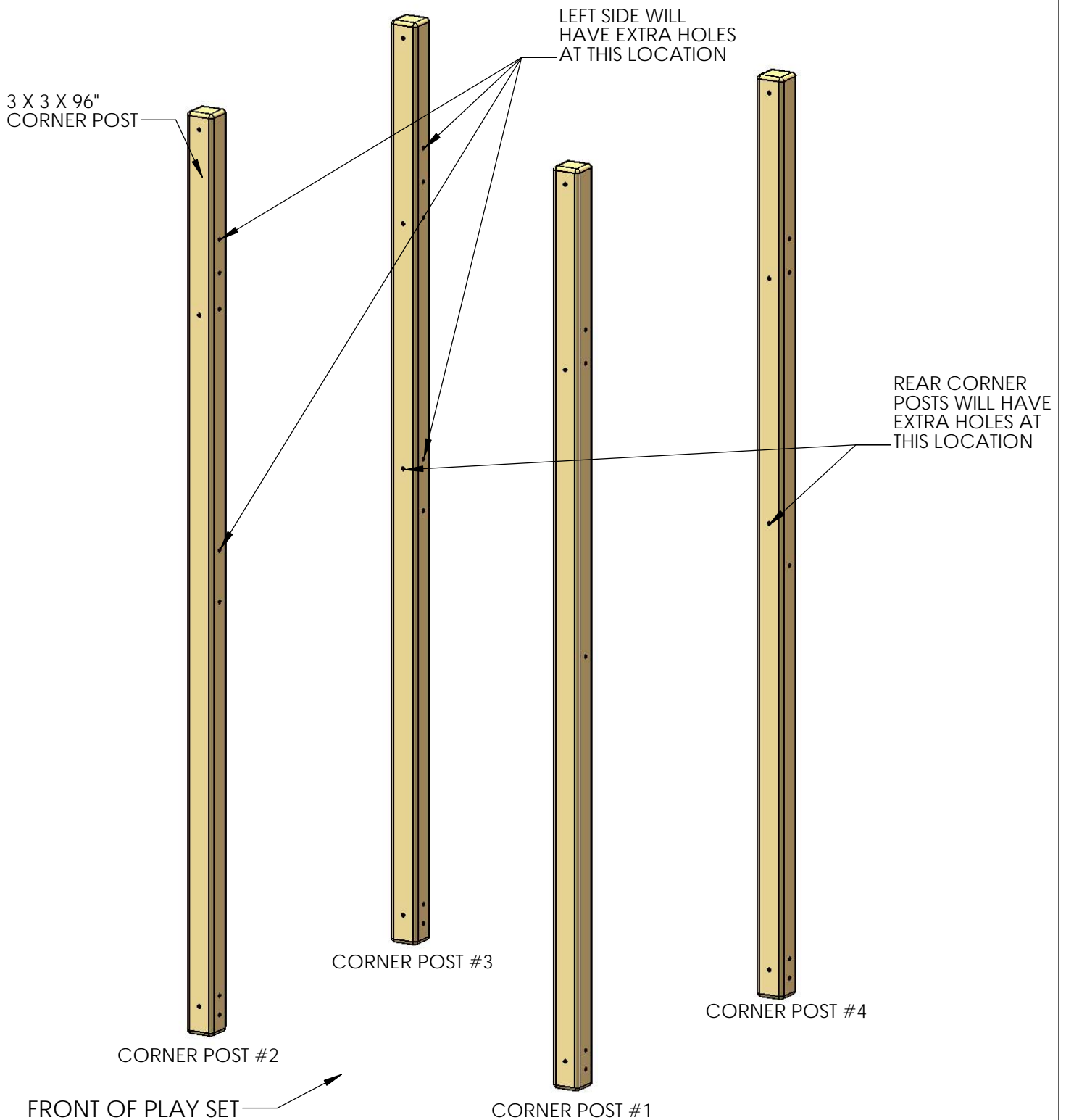
STEP 1: CORNER POST LAYOUT

1: THIS STEP IS CRITICAL TO BUILDING THE FORT PROPERLY. IF ANY MISTAKES ARE MADE HERE, YOU WILL NEED TO DIS-ASSEMBLE AND THEN RE-ASSEMBLE TO MAKE YOUR CORRECTIONS.

2: LAY OUT EACH OF THE 3 X 3 X 96" CORNER POSTS IN THE AREA YOU INTEND ON BUILDING THE FORT SIDE OF THE PLAYSET.

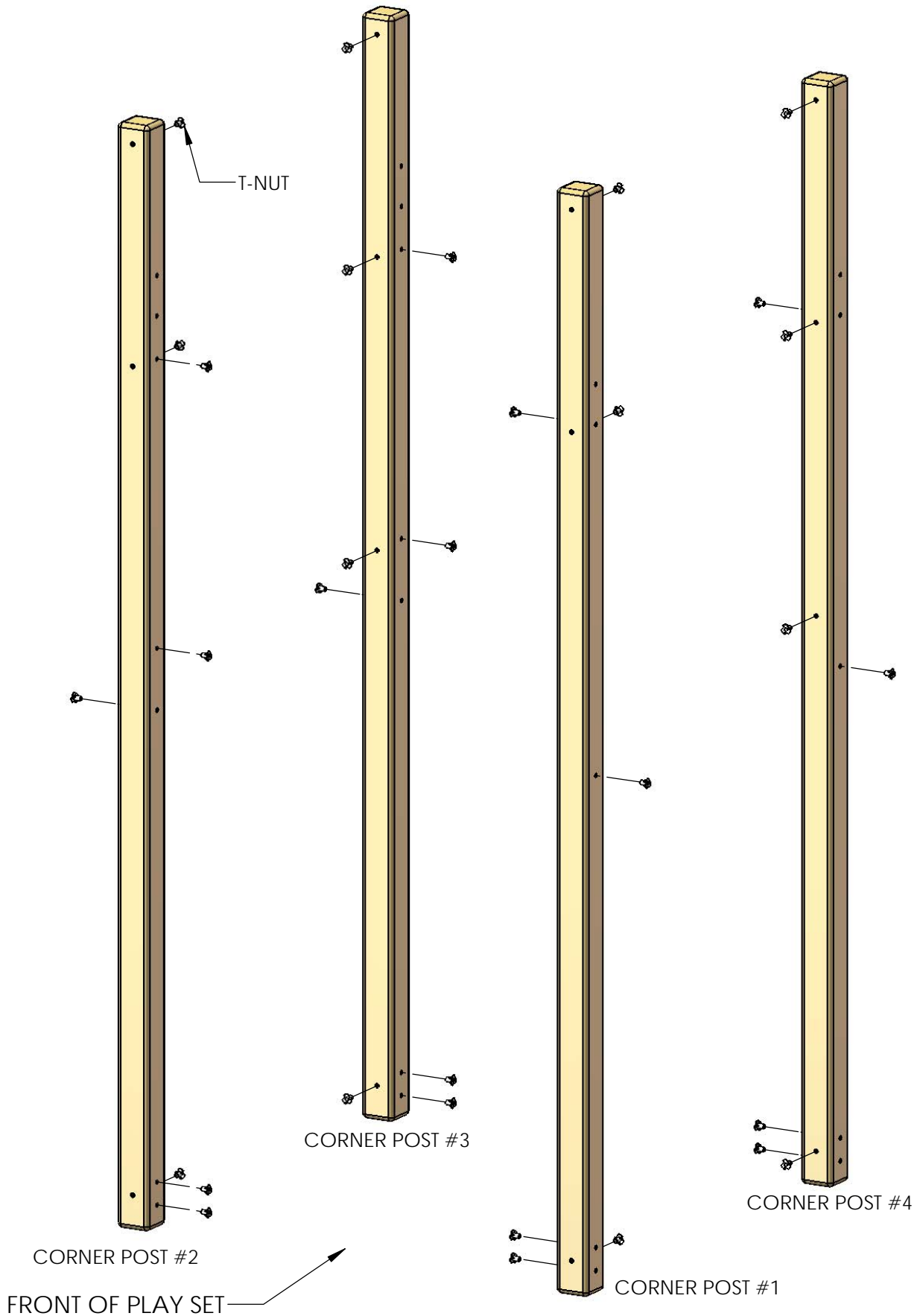
3: USE THE DIAGRAM BELOW TO CORRECTLY IDENTIFY AND ORIENT THE POSTS IN THE CORRECT DIRECTION.

NOTE: THE LADDER SIDE IS CONSIDERED THE FRONT OF THE PLAYSET WITH THE SWING BEAM EXTENDING OFF TO THE LEFT SIDE.



STEP 2: INSERTING T-NUTS INTO CORNER POSTS

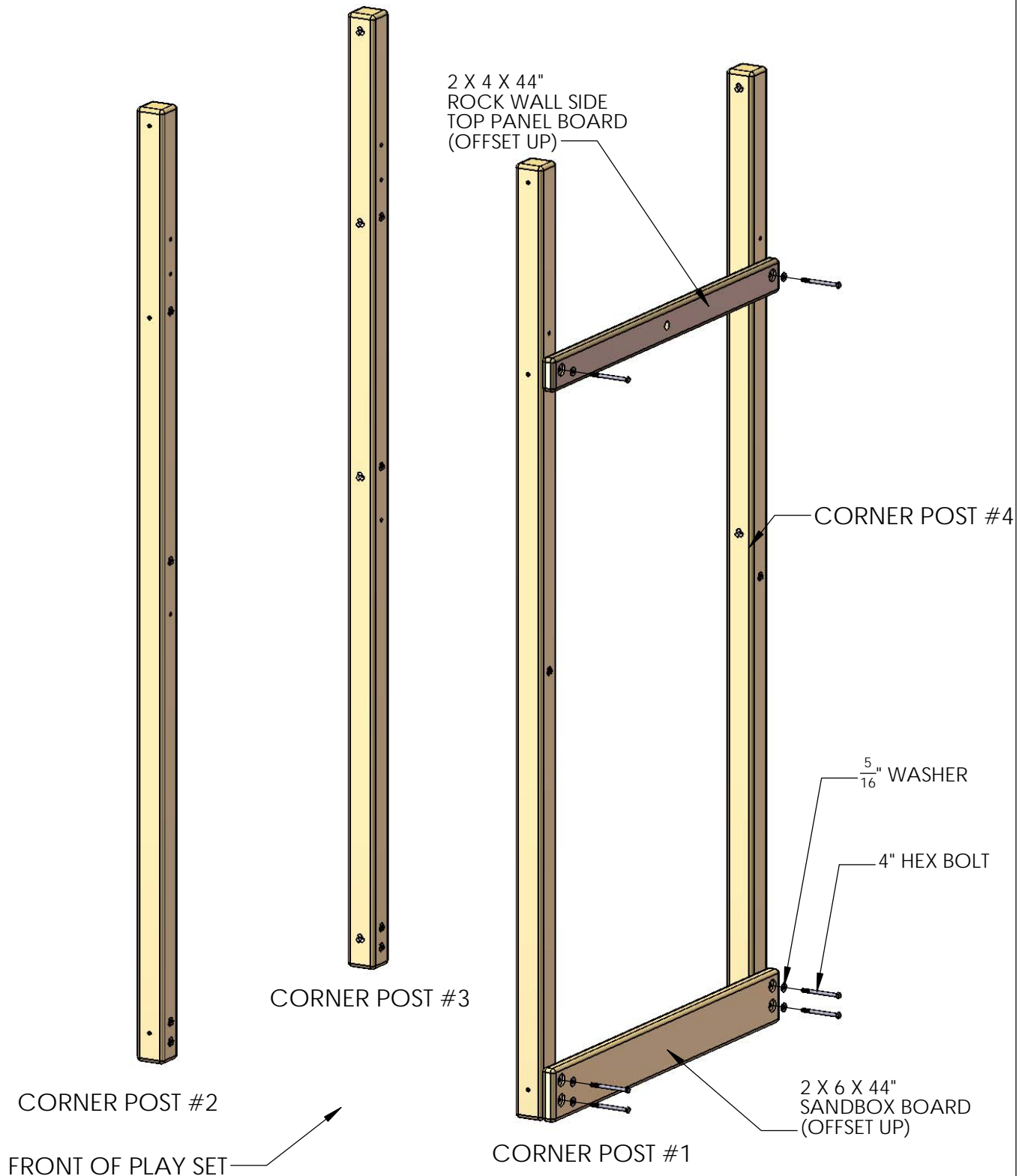
- 1: USE A HAMMER TO SEAT THE T-NUTS AFTER INSERTING THEM INTO THE HOLES SHOWN IN THE DIAGRAM BELOW.
- 2: THE BARREL OF THE T-NUT SHOULD GO IN THE HOLE FIRST. HAMMER THE T-NUT UNTIL IT IS FLUSH/ALMOST FLUSH TO THE CORNER POSTS.



STEP 3: ATTACHING SANDBOX AND TOP PANEL BOARD

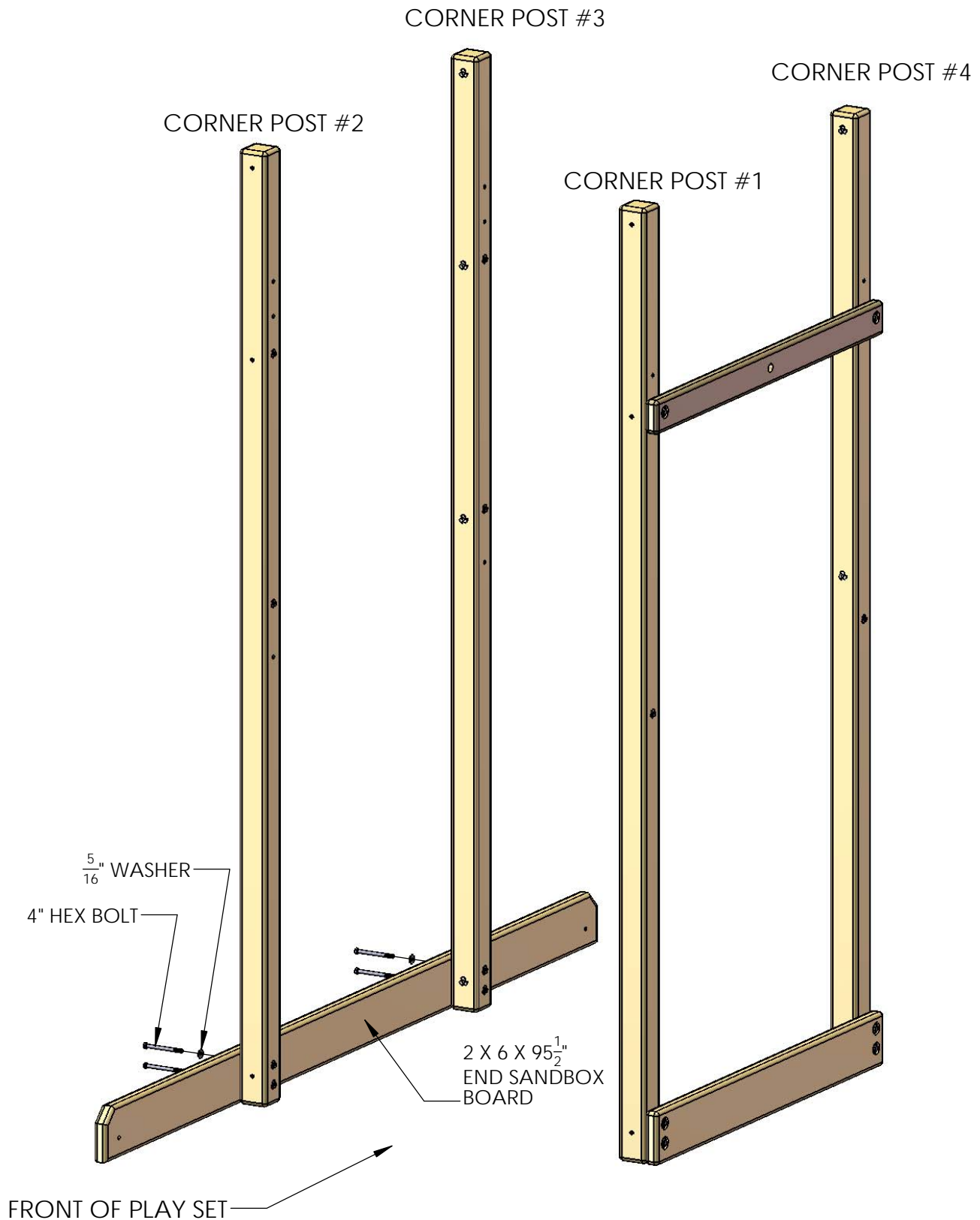
1: THE 2 X 6 X 44" SANDBOX BOARD (WITH FOUR PRE-DRILLED HOLES) ATTACHES TO THE BOTTOM OF THE RIGHT SIDE CORNER POSTS, OFFSET HOLES UP, WITH 4" HEX BOLTS AND $\frac{5}{16}$ " WASHERS.

2: THE 2 X 4 X 44" ROCK WALL SIDE TOP PANEL BOARD (WITH THREE PRE-DRILLED HOLES) ATTACHES TO THE TOP SET OF HOLES ON THE RIGHT SIDE OF THE CORNER POSTS, OFFSET HOLES UP, WITH 4" HEX BOLTS AND $\frac{5}{16}$ " WASHERS.



STEP 4: ATTACHING END SANDBOX BOARD

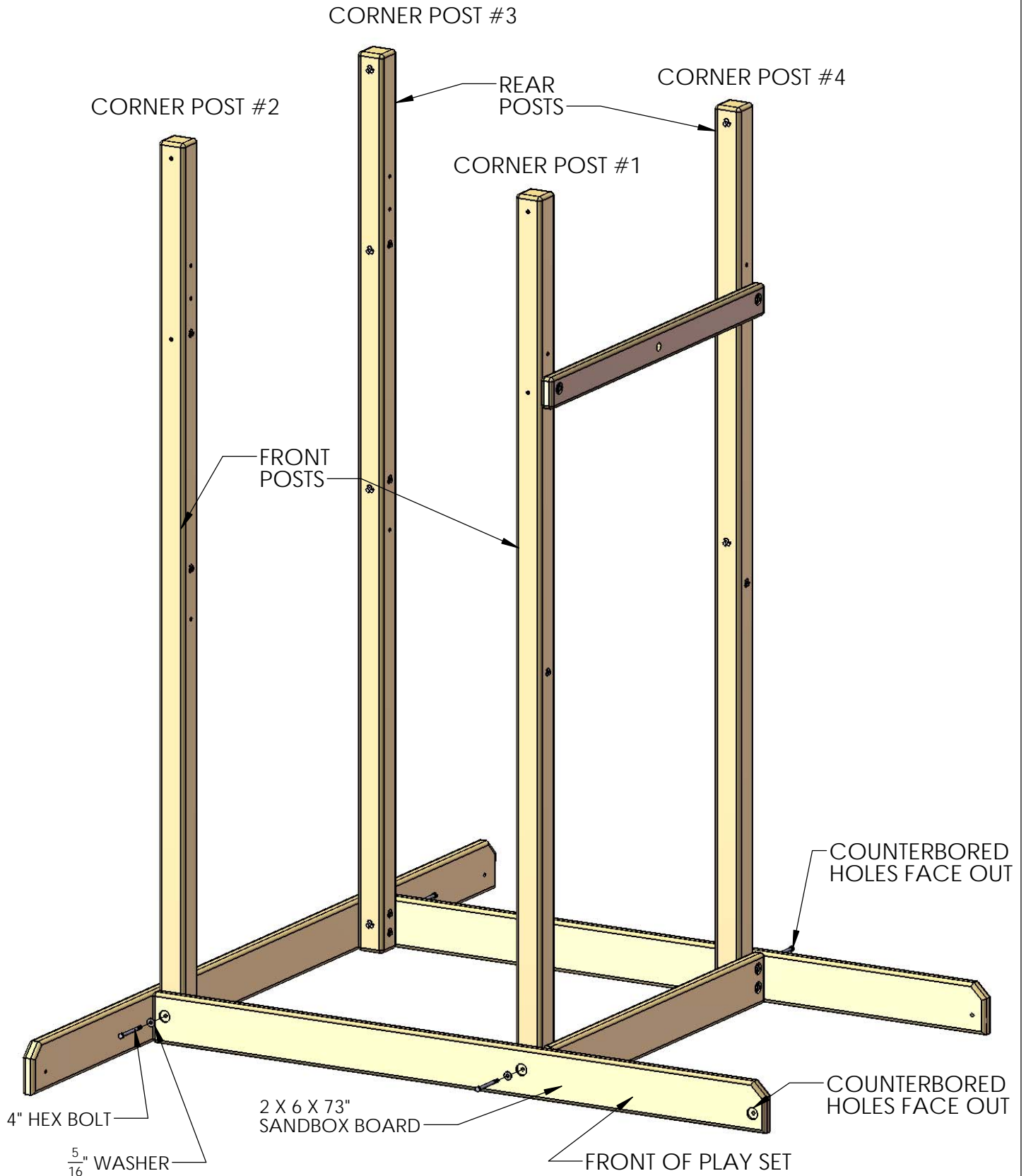
1: THE 2 X 6 X 95 $\frac{1}{2}$ " END SANDBOX BOARD (WITH SIX PRE-DRILLED HOLES) ATTACHES TO THE BOTTOM OF THE LEFT SIDE CORNER POSTS WITH 4" HEX BOLTS AND $\frac{5}{16}$ " WASHERS.



STEP 5: ATTACHING REMAINING SANDBOX BOARDS

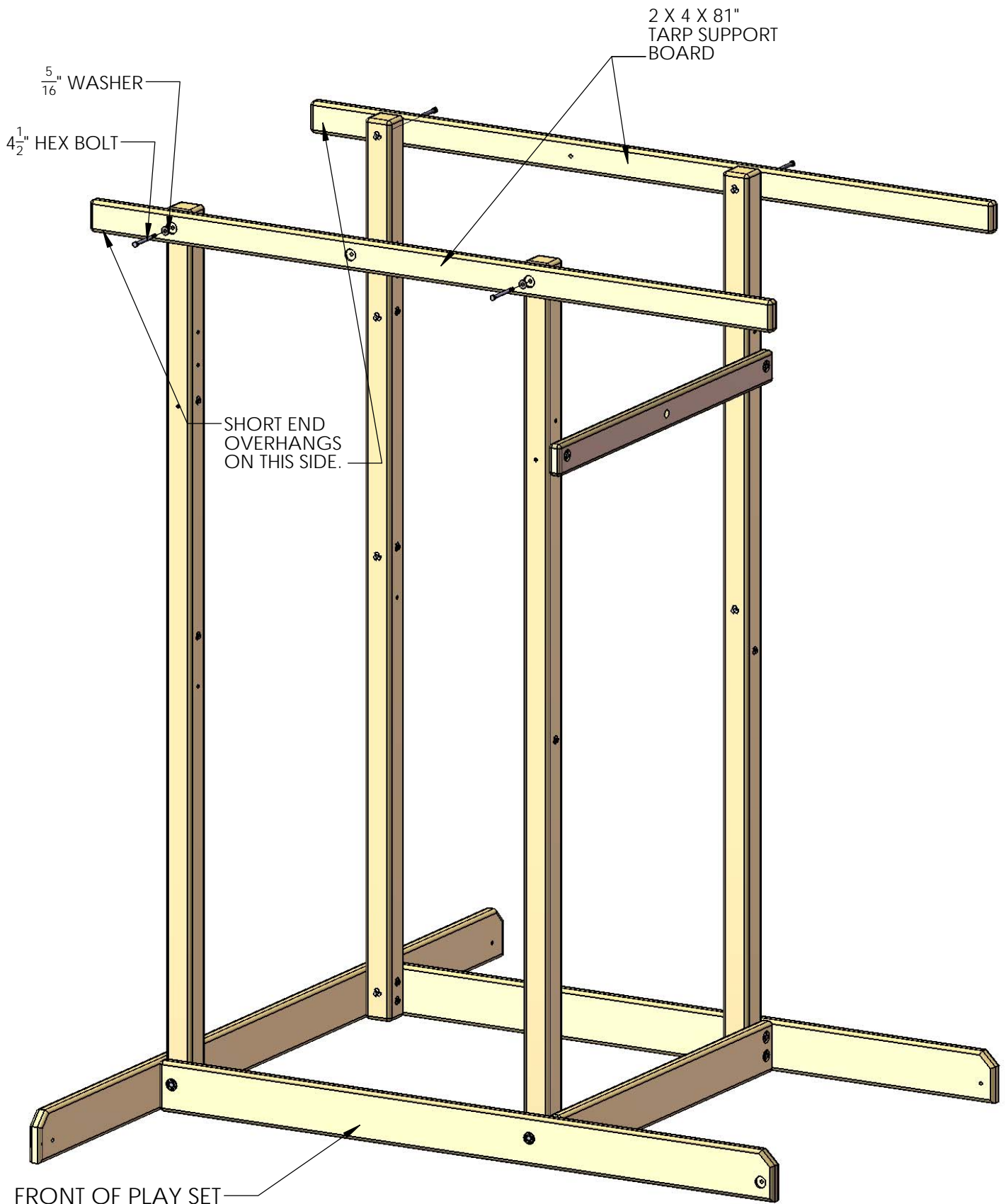
1: THE 2 X 6 X 73" SANDBOX BOARDS (WITH THREE PRE-DRILLED HOLES) ATTACHES TO THE BOTTOM OF THE FRONT AND REAR CORNER POSTS WITH 4" HEX BOLTS AND $\frac{5}{16}$ " WASHERS.

2: THE STRUCTURE SHOULD BE ABLE TO STAND ON ITS OWN, WITHOUT ANY SUPPORT, AT THIS STAGE.



STEP 6: ATTACHING TARP SUPPORT BOARDS

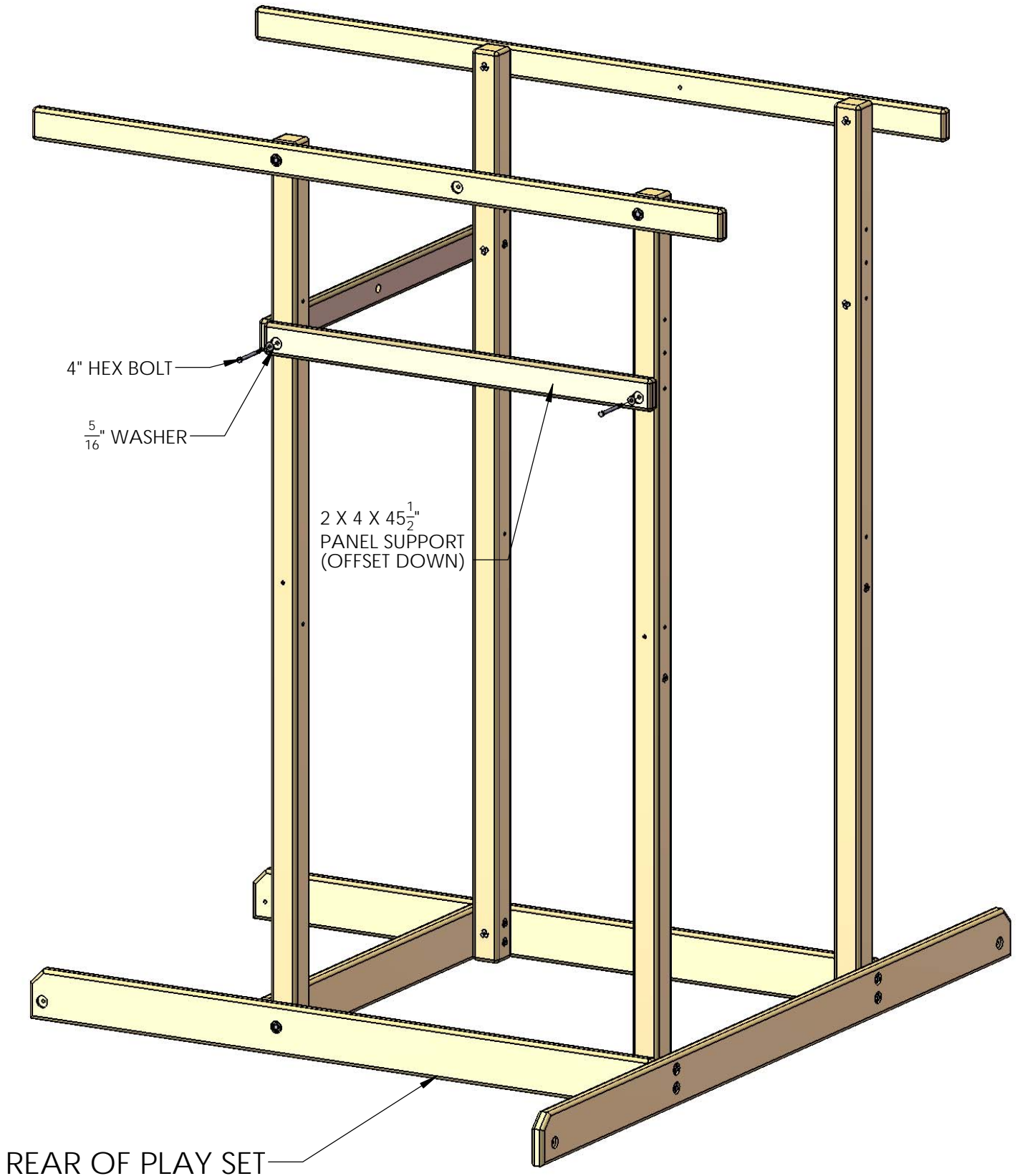
- 1: THE 2 X 4 X 81" TARP SUPPORT BOARDS (WITH THREE PRE-DRILLED HOLES) ATTACH TO THE TOP OF THE FRONT AND REAR CORNER POSTS WITH 4" HEX BOLTS AND $\frac{5}{16}$ " WASHERS.
- 2: HOLES SHOULD BE CENTERED VERTICALLY ON BOTH BOARDS.



STEP 7: ATTACHING PANEL SUPPORT

1: THE 2 X 4 X 45 $\frac{1}{2}$ " PANEL SUPPORT (WITH TWO PRE-DRILLED HOLES) ATTACHES TO THE SET OF HOLES BELOW THE TARP SUPPORT BOARD ON THE REAR OF THE FORT WITH 4" HEX BOLTS AND $\frac{5}{16}$ " WASHERS.

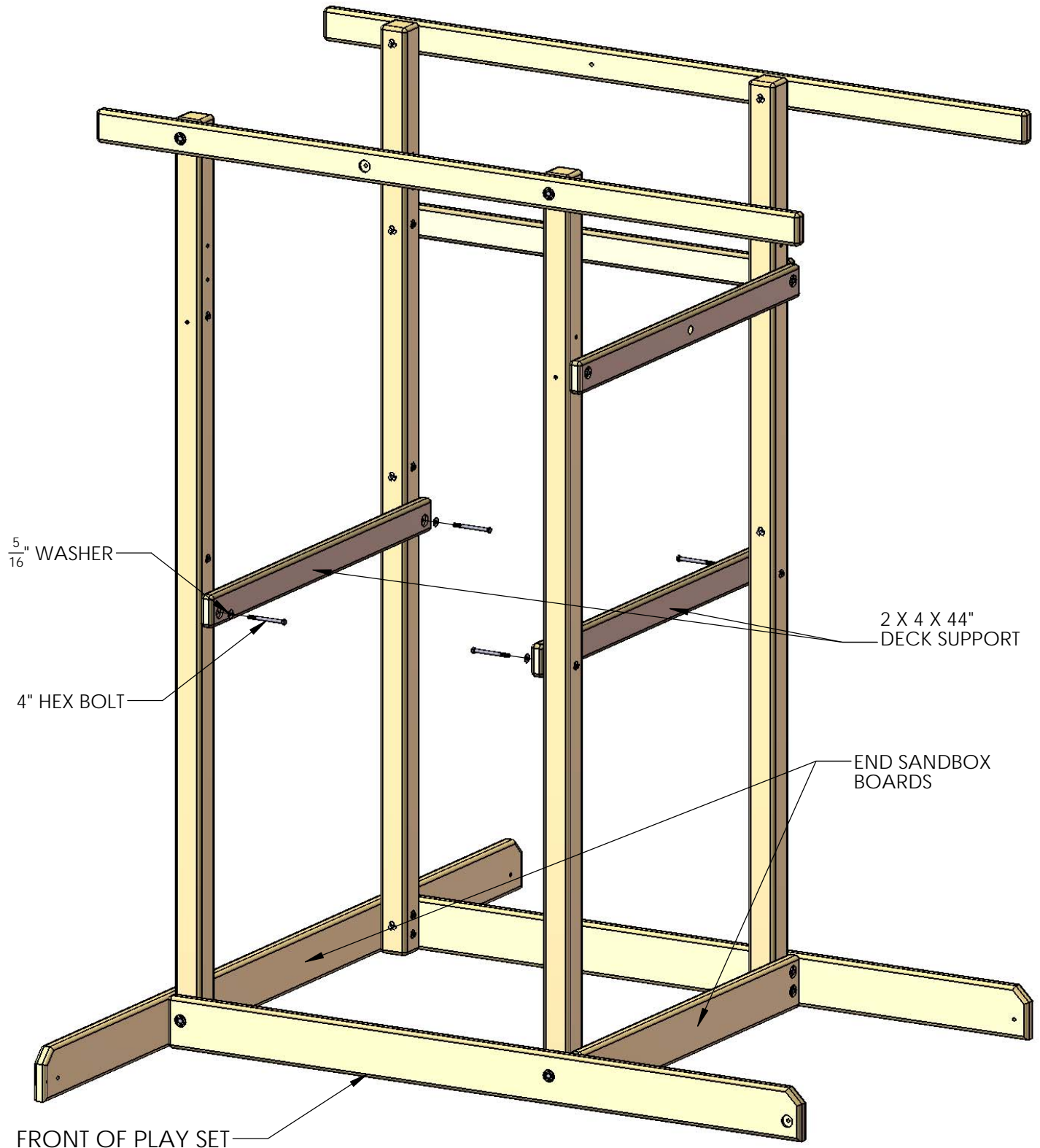
2: HOLES SHOULD BE OFFSET DOWN.



STEP 8: ATTACHING DECK SUPPORTS

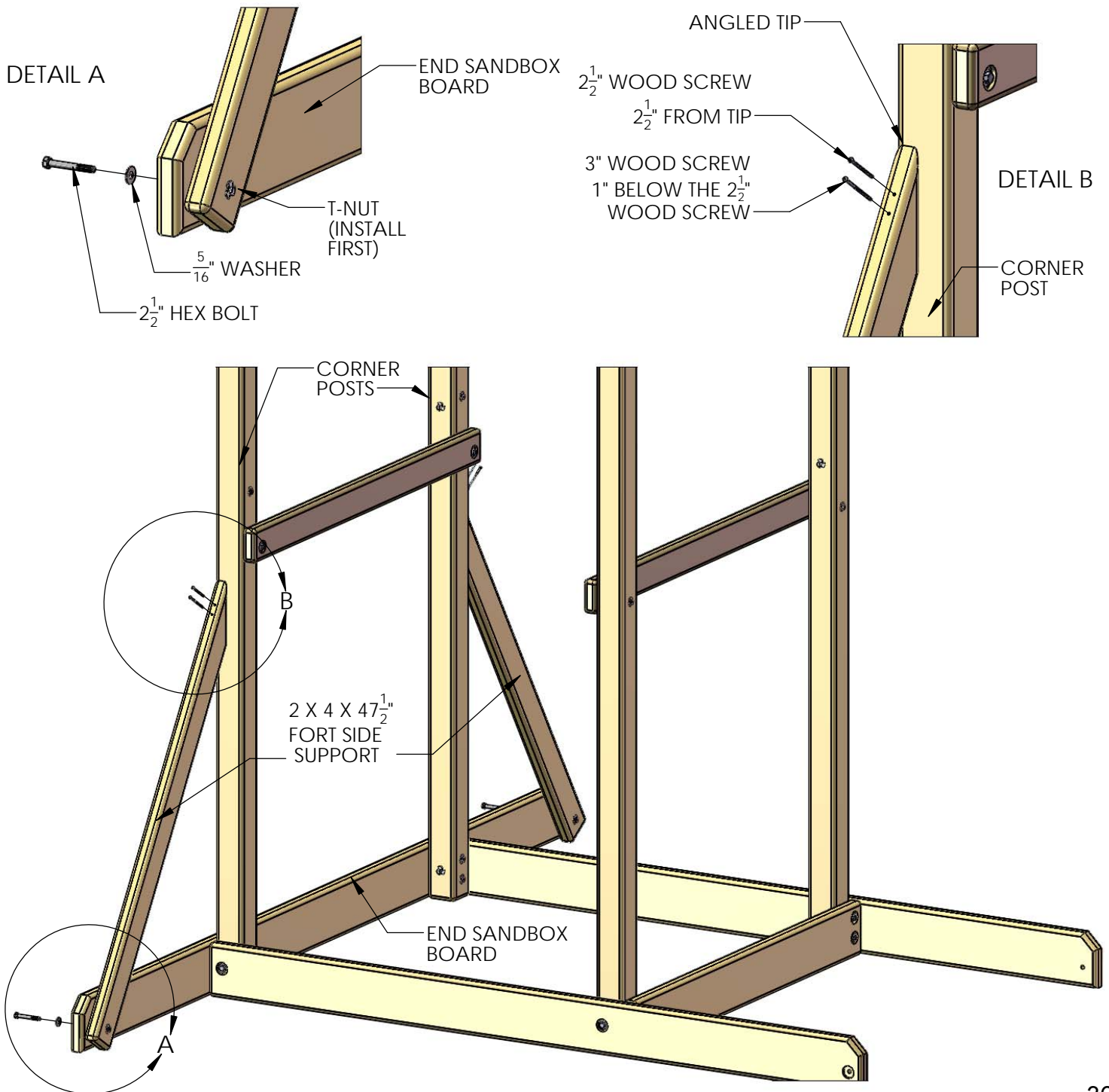
1: THE 2 X 4 X 44" DECK SUPPORT BOARDS (WITH TWO PRE-DRILLED HOLES) ATTACH TO THE SET OF HOLES ABOVE THE END SANDBOX BOARDS ON THE INSIDE OF THE LEFT AND RIGHT SIDE CORNER POSTS WITH 4" HEX BOLTS AND $\frac{5}{16}$ " WASHERS.

2: HOLES SHOULD BE OFFSET DOWN ON BOTH BOARDS.



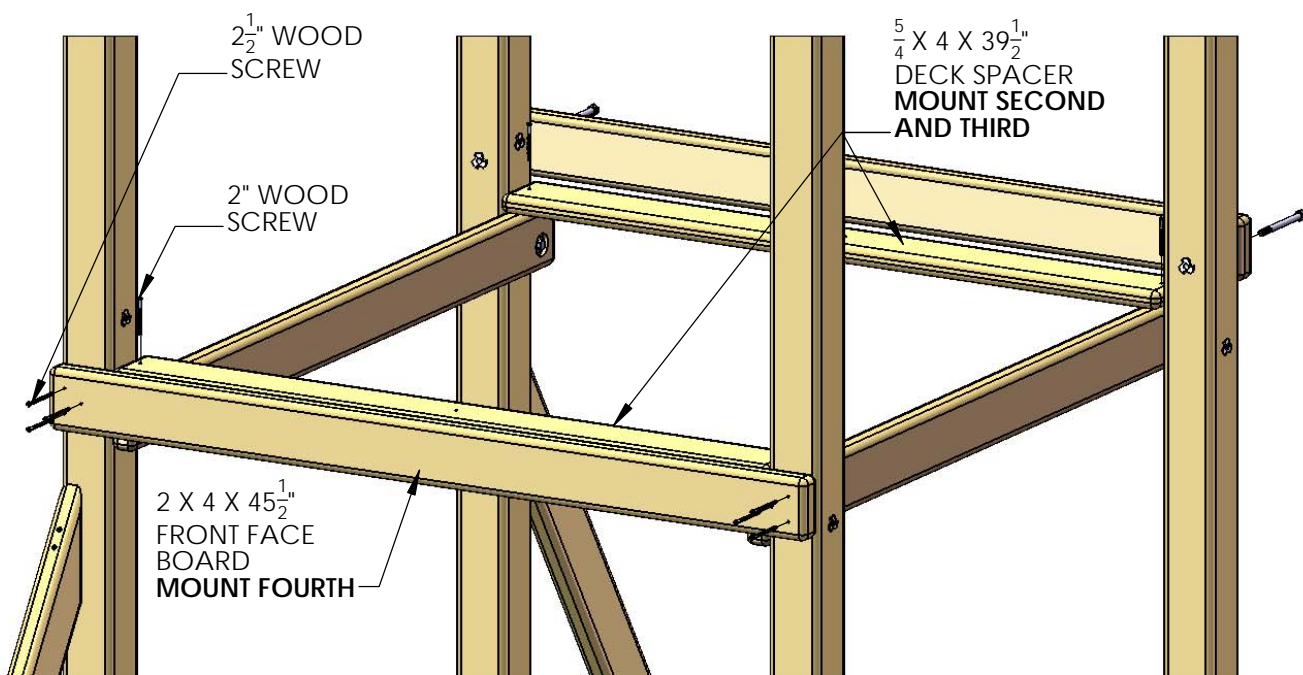
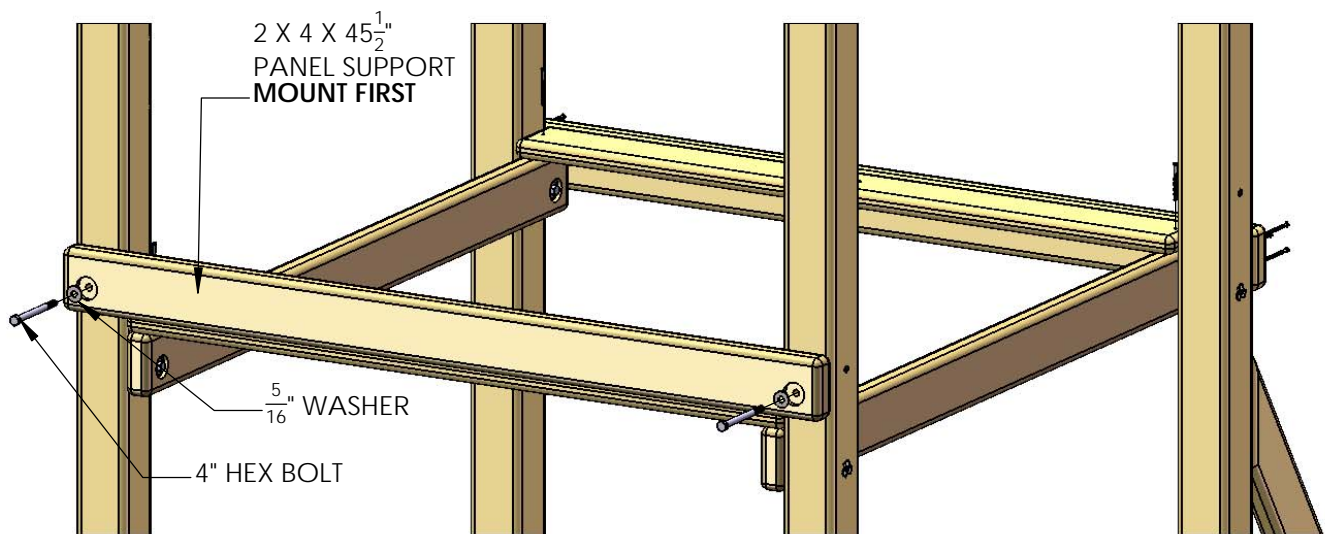
STEP 9: ATTACHING FORT SIDE SUPPORTS

- 1: LAY THE 2 X 4 X 47 $\frac{1}{2}$ " FORT SIDE SUPPORTS ON A FLAT SURFACE WITH THE ANGLED ENDS ORIENTATED THE WAY THEY WILL BE INSTALLED ONTO THE FORT. PLACE A T-NUT IN THE PRE-DRILLED HOLE ON EACH END AND SECURE WITH A HAMMER.
- 2: THE 2 X 4 X 47 $\frac{1}{2}$ " FORT SIDE SUPPORTS (WITH ANGLED ENDS) ATTACH TO THE HOLES ON THE ENDS OF THE END SANDBOX BOARD ON THE INSIDE WITH 2 $\frac{1}{2}$ " HEX BOLTS AND $\frac{5}{16}$ " WASHERS. THE ANGLED ENDS SHOULD REST FLUSH AGAINST THE CORNER POSTS. SEE DETAIL A AND DETAIL B FOR CLARIFICATION IF NECESSARY.
- 3: ENSURE THAT THE TWO FORT SIDE SUPPORTS ARE ATTACHED PROPERLY TO THE END SANDBOX BOARD BEFORE SECURING THEM TO THE CORNER POSTS.
- 4: PREDRILLING A 1/8" PILOT HOLE THROUGH THE FORT SIDE SUPPORT ONLY MAY HELP PREVENT SPLITTING THE END OF THE BOARD. USE A 2 $\frac{1}{2}$ " WOOD SCREW AT THE TOP OF THE BRACE 2 $\frac{1}{2}$ " BELOW THE ANGLED TIP, THEN USE A 3" WOOD SCREW 1" BELOW THE 2 $\frac{1}{2}$ " WOOD SCREW. SEE DETAIL B FOR CLARIFICATION IF NECESSARY.



STEP 10: ATTACHING DECK SPACERS, PANEL SUPPORT AND FRONT FACE BOARD

- 1: THE ORDER IN WHICH THESE BOARDS ARE INSTALLED IS VERY IMPORTANT, FOLLOW THE STEPS CAREFULLY.
- 2: FIRST, WITH OFFSET HOLES DOWN, SECURE THE 2 X 4 X 45 $\frac{1}{2}$ " PANEL SUPPORT TO THE REAR CORNER POSTS WITH 4" HEX BOLTS AND $\frac{5}{16}$ " WASHERS.
- 3: SECOND, THE $\frac{5}{4}$ X 4 X 39 $\frac{1}{2}$ " DECK SPACER MOUNTS BETWEEN THE REAR CORNER POSTS, FLUSH TO THE EDGES, WITH TWO 2" WOOD SCREWS.
- 4: THIRD, THE $\frac{5}{4}$ X 4 X 39 $\frac{1}{2}$ " DECK SPACER MOUNTS BETWEEN THE FRONT CORNER POSTS, FLUSH TO THE EDGES, WITH TWO 2" WOOD SCREWS.
- 5: FOURTH, THE TOP SURFACE OF THE 2 X 4 X 45 $\frac{1}{2}$ " FRONT FACE BOARD WILL BE FLUSH TO THE TOP OF THE DECK SPACER. SECURE THE FRONT FACE BOARD TO THE FRONT CORNER POSTS WITH THREE 2 $\frac{1}{2}$ " WOOD SCREWS PER SIDE.



STEP 11: LADDER ASSEMBLY

1: LAY ONE 2 X 4 X 57" LADDER SIDE ON A FLAT SURFACE WITH CHANNELS FACING DOWN. PLACE THE BARREL OF A T-NUT IN THE HOLE AT THE TOP OF THE LADDER SIDE, AND SECURE WITH A HAMMER. REPEAT THIS STEP FOR THE OTHER LADDER SIDE.

2: FLIP THE LADDER SIDE OVER SO THAT THE CHANNELS ARE FACING UP.

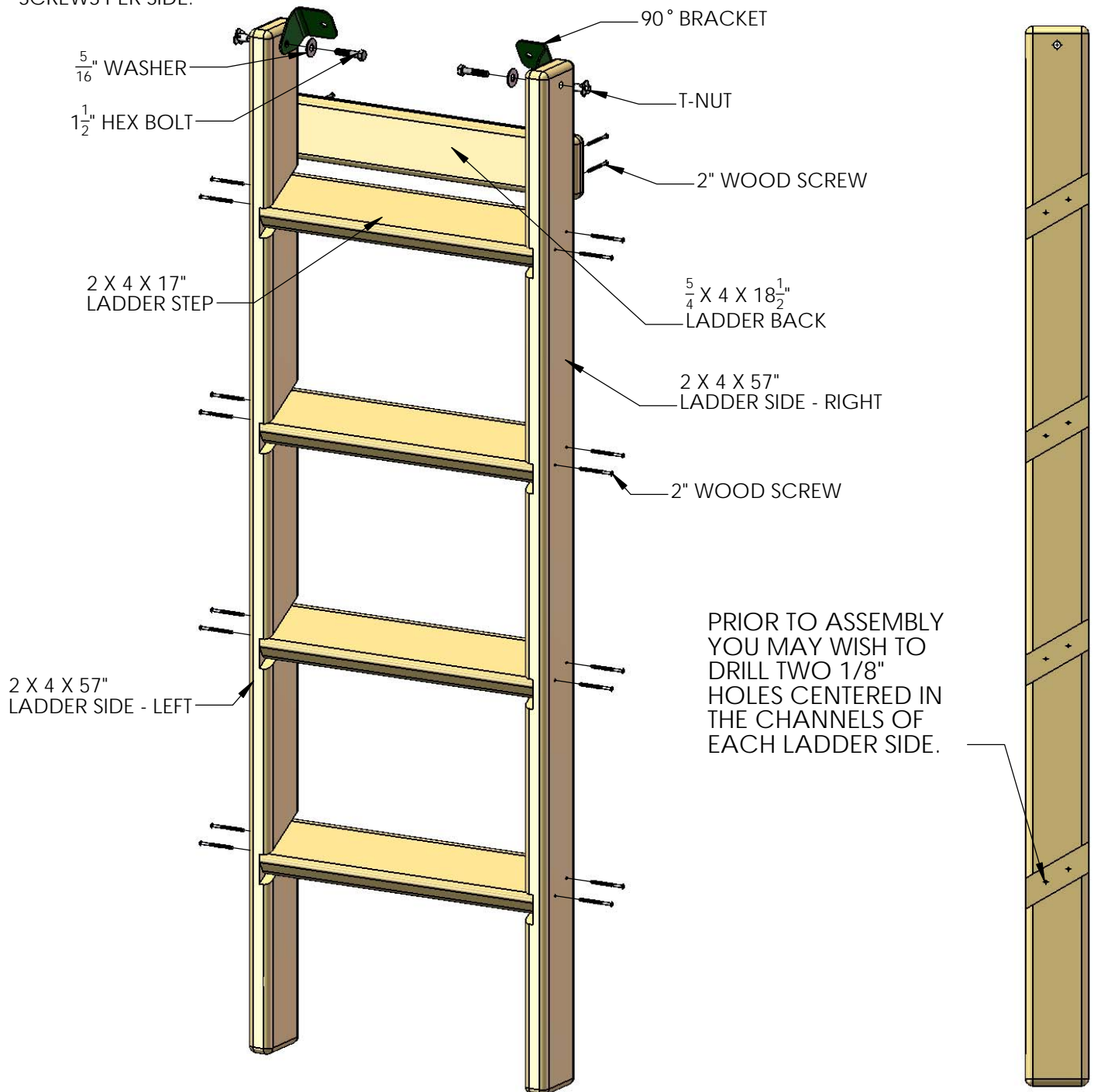
3: PLACE THE LADDER STEPS INTO THE CHANNELS, AND THEN PLACE THE SECOND LADDER SIDE ON TOP, WITH THE CHANNELS FACING DOWN.

4: NOW PLACE TWO 2" WOOD SCREWS IN EACH STEP.

5: CAREFULLY TURN THE LADDER OVER AND FINISH THE OTHER SIDE WITH TWO 2" WOOD SCREWS PER STEP.

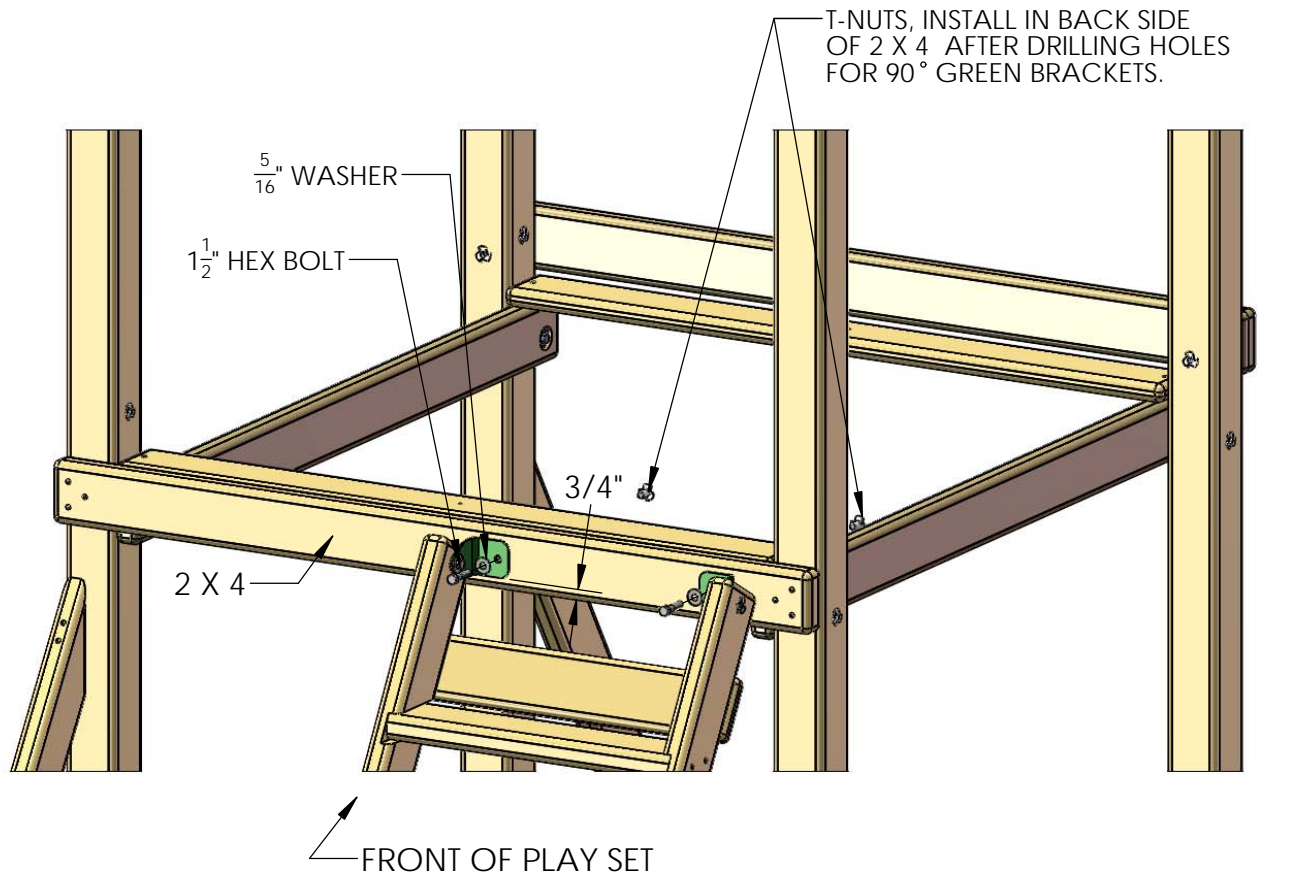
6: INSTALL TWO 90° GREEN BRACKETS USING 1½" BOLTS AND ⅝" WASHERS

7: INSTALL THE ⅝ X 4 X 18½" LADDER BACK ABOVE THE OPENING OF THE TOP CHANNELS WITH TWO 2" WOOD SCREWS PER SIDE.

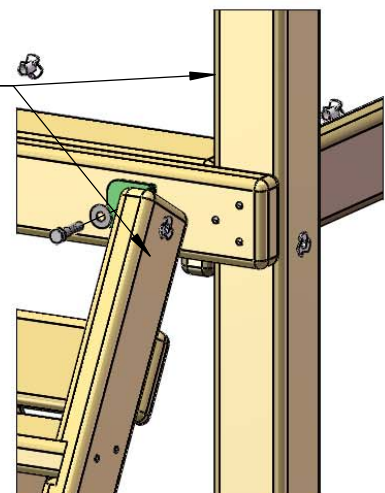


STEP 12: ATTACHING THE LADDER

- 1: THE LADDER ATTACHES TO THE FRONT SIDE AT THE RIGHT, FLUSH TO THE INSIDE EDGE OF THE CORNER POST.
- 2: THE BOTTOM EDGE OF EACH 90° GREEN BRACKET SHOULD BE 3/4" FROM THE BOTTOM OF THE 2 X 4.
- 3: MAKE SURE THE LADDER IS LEVEL AND MARK THE POSITION OF THE BRACKET HOLES ON THE 2 X 4.
- 4: DRILL $\frac{3}{8}$ " HOLES WHERE MARKED.
- 5: INSERT T-NUTS IN THE BACK OF THE HOLES.
- 6: ATTACH THE BRACKETS TO THE 2 X 4 WITH $\frac{1}{2}$ " HEX BOLTS WITH $\frac{5}{16}$ " WASHERS.



OUTSIDE EDGE OF LADDER IS FLUSH TO THE INSIDE EDGE OF THE CORNER POST



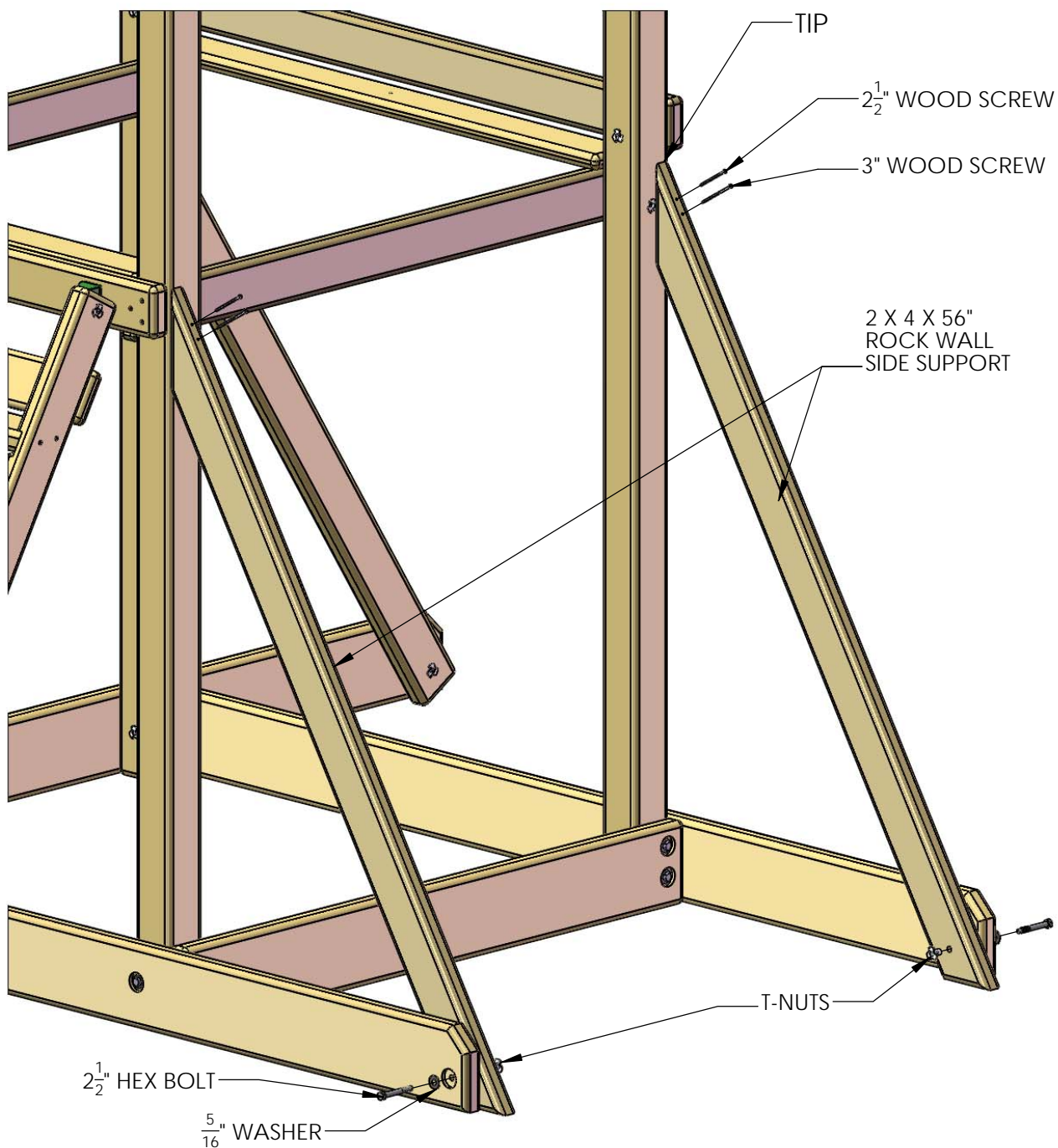
STEP 13: ROCK WALL SIDE SUPPORTS

1: LAY THE 2 X 4 X 56" ROCK WALL SIDE SUPPORTS ON A FLAT SURFACE. PLACE THE BOTTOM ANGLED END WITH HOLE ORIENTATED THE WAY THEY WILL BE INSTALLED ONTO THE FORT. PLACE A T-NUT IN THE PRE-DRILLED HOLE ON THE END AND SECURE WITH A HAMMER.

2: LINE UP THE HOLE IN THE BOTTOM OF EACH 2 X 4 X 56" ROCK WALL SIDE SUPPORT (WITH ANGLED ENDS) TO THE HOLES ON THE ENDS OF EACH EXTENDED SANDBOX BOARD. ATTACH EACH ROCK WALL SIDE SUPPORT TO THE INSIDE OF EACH EXTENDED SANDBOX BOARD WITH $2\frac{1}{2}$ " HEX BOLTS AND $\frac{5}{16}$ " WASHERS. THE TOP ANGLED END SHOULD REST FLUSH AGAINST THE CORNER POSTS.

3: ENSURE THAT THE TWO ROCK WALL SUPPORTS ARE ATTACHED PROPERLY TO THE SANDBOX BOARDS BEFORE SECURING THEM TO THE CORNER POSTS.

4: PREDRILLING A $\frac{1}{8}$ " PILOT HOLE THROUGH THE ROCK WALL SIDE SUPPORT ONLY MAY HELP PREVENT SPLITTING THE END OF THE BOARD. USE A $2\frac{1}{2}$ " WOOD SCREW AT THE TOP OF THE SUPPORT $2\frac{1}{2}$ " BELOW THE TIP, THEN USE A 3" WOOD SCREW 1" BELOW THE $2\frac{1}{2}$ " WOOD SCREW.

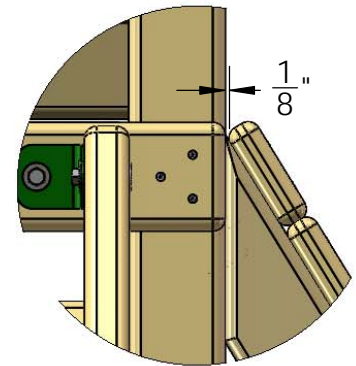
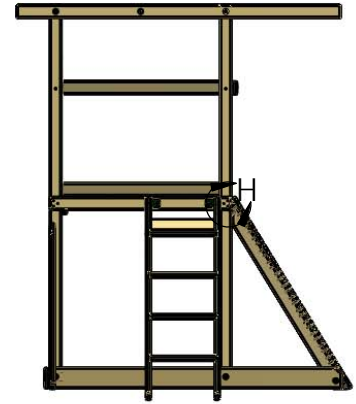


STEP 14: ATTACHING THE ROCK WALL BOARDS

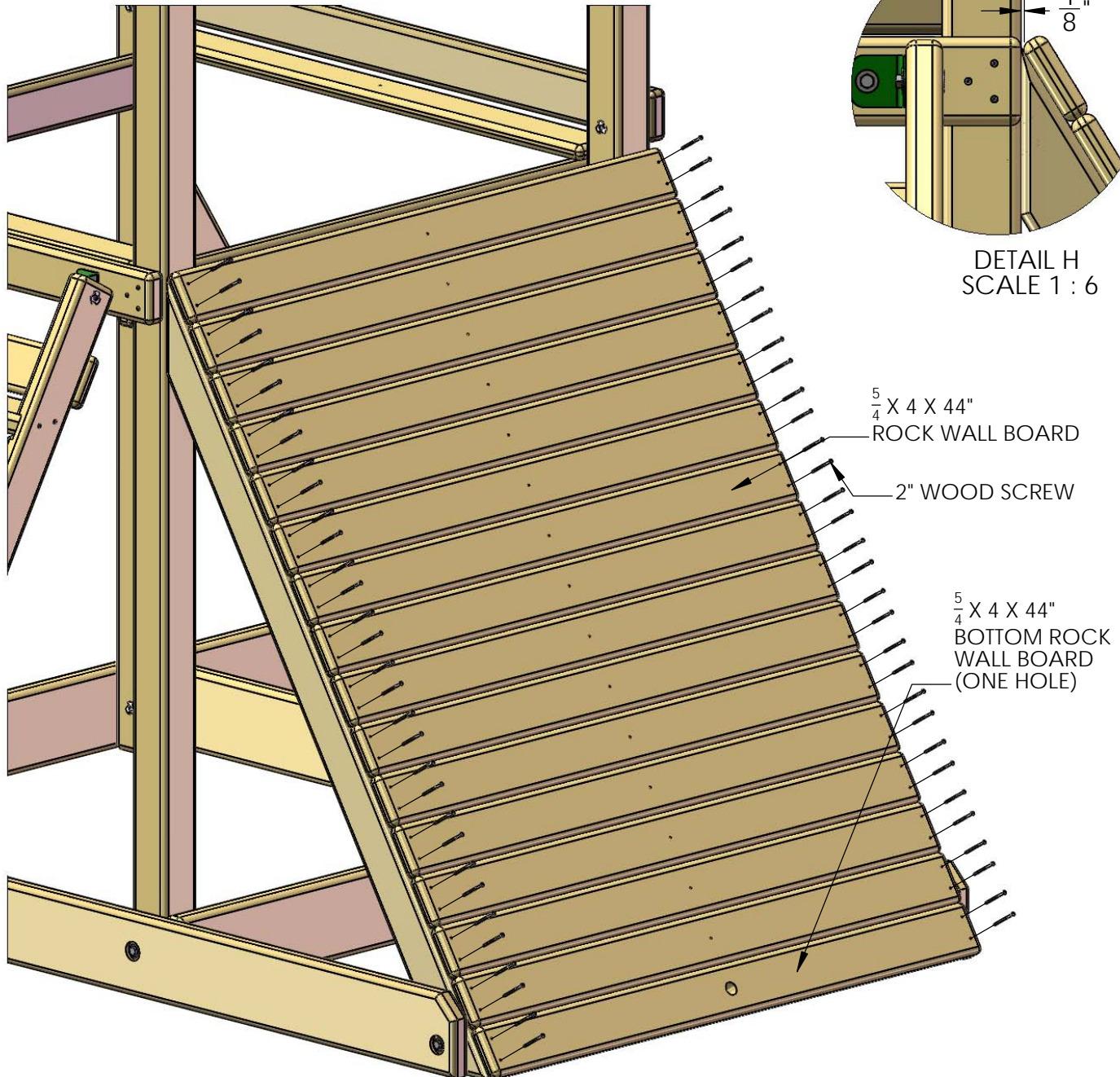
1: BEGIN WITH THE UPPER MOST $\frac{5}{4}$ X 4 X 44" ROCK WALL BOARD AND SECURE TO THE ROCK WALL SUPPORT WITH TWO 2" WOOD SCREWS PER SIDE. THE ROUNDED EDGE OF THE ROCK WALL BOARD SHOULD BE ABOUT $\frac{1}{8}$ " AWAY FROM THE CORNER POSTS BEFORE ATTACHING. (SEE DETAIL H BELOW)

2: CONTINUE MOUNTING THE REMAINING ROCK WALL BOARDS TO THE ROCK WALL SUPPORTS WITH 2" WOOD SCREWS. THERE SHOULD BE NO GAPS BETWEEN THE BOARDS.

3: THE $\frac{5}{4}$ X 4 X 44" BOTTOM ROCK WALL BOARD WITH ONE HOLE WILL MOUNT AT THE BOTTOM. THIS BOARD WILL FASTEN WITH 2" WOOD SCREWS AS WELL.



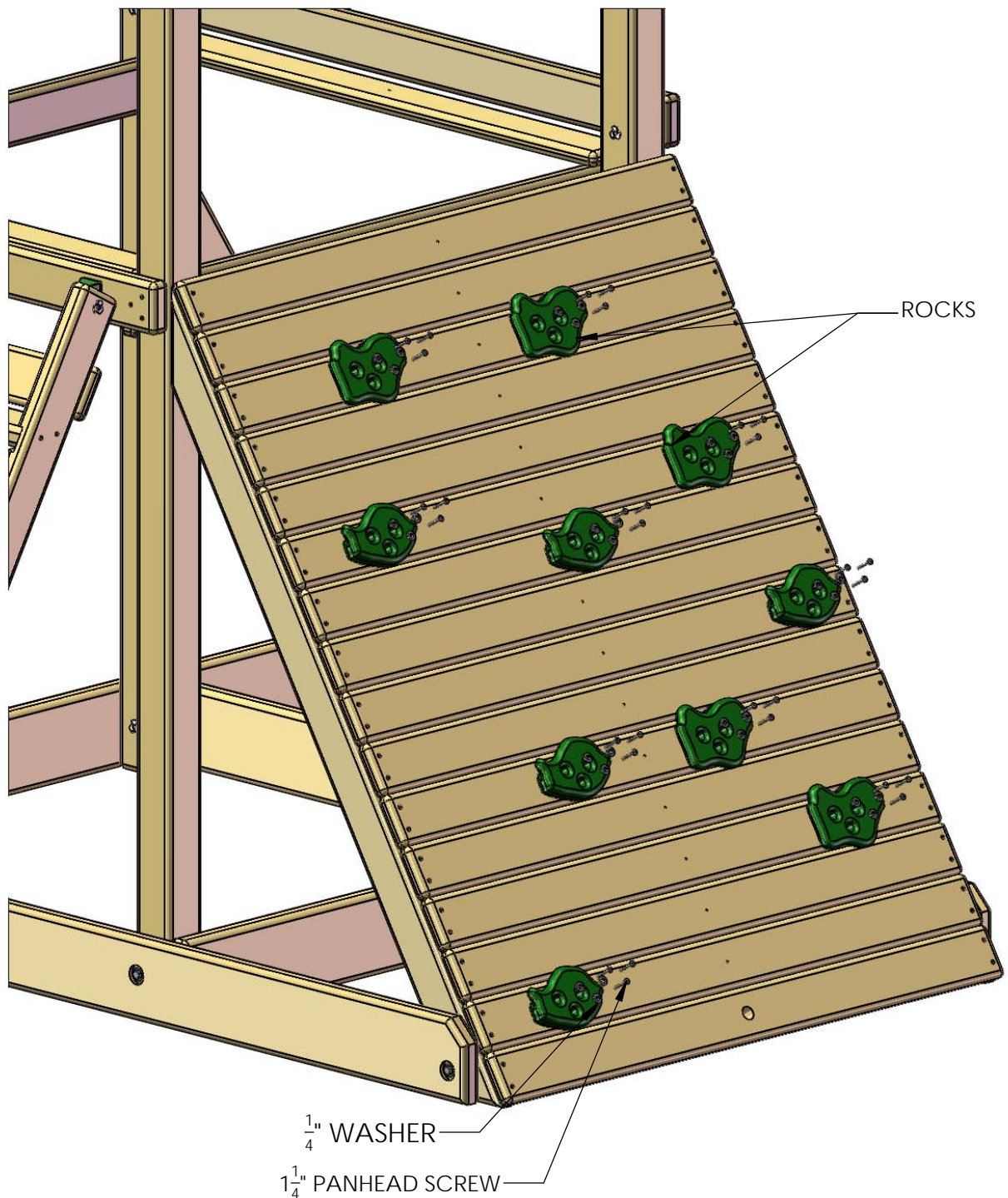
DETAIL H
SCALE 1 : 6



STEP 15: ATTACHING THE ROCKS

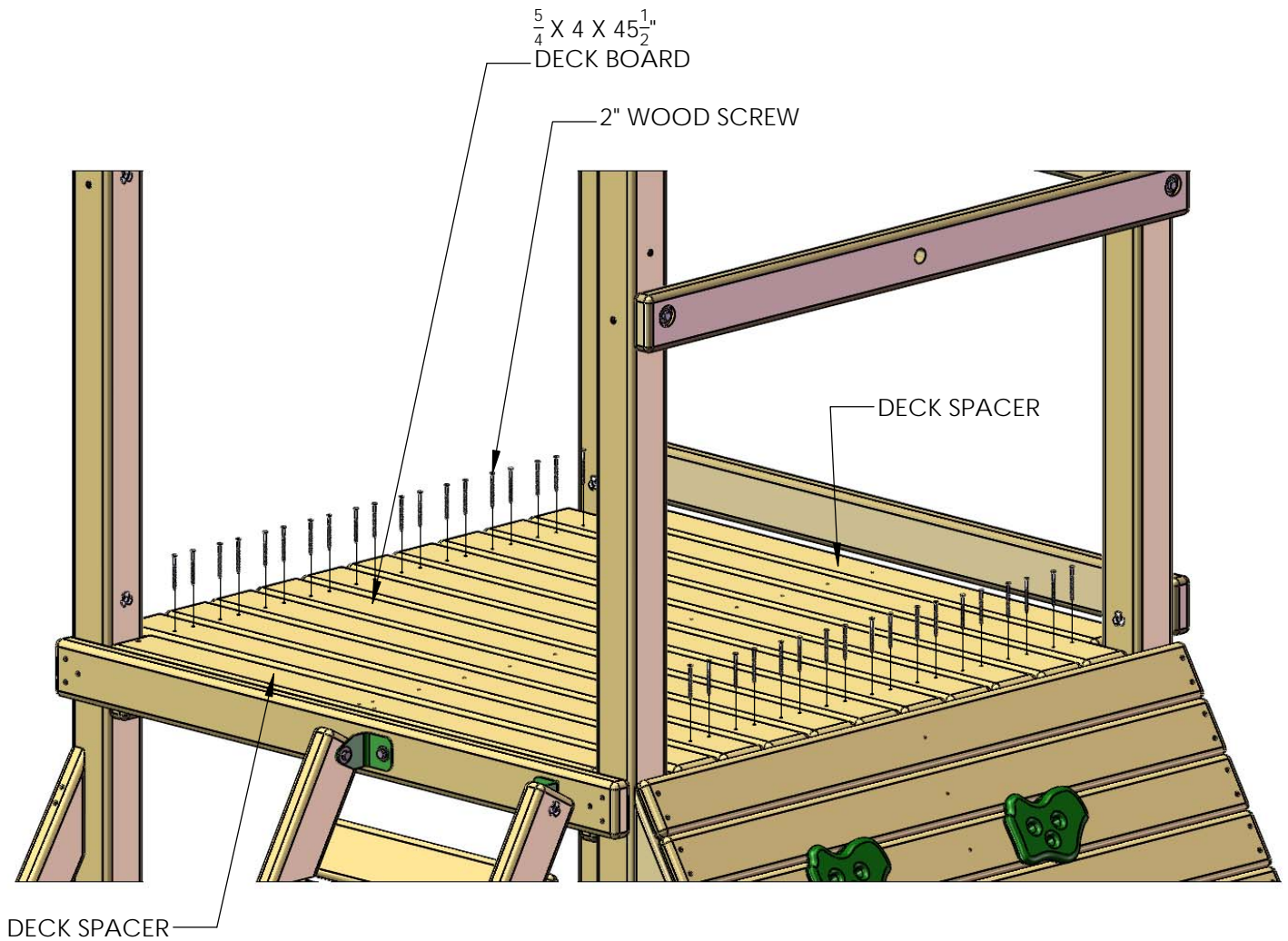
1: THE ROCKS SHOULD FOLLOW THE GENERAL STAGGERED LAYOUT SHOWN BELOW. HOWEVER, A DIFFERENT CONFIGURATION CAN BE USED.

2: THE ROCKS INCLUDED WITH YOUR PLAYSET MAY VARY, IN ANY CASE, THE $\frac{1}{4}$ " PANHEAD SCREWS AND $\frac{1}{4}$ " WASHERS INCLUDED WITH THE ROCKS WILL BE USED TO ATTACH THE ROCKS.



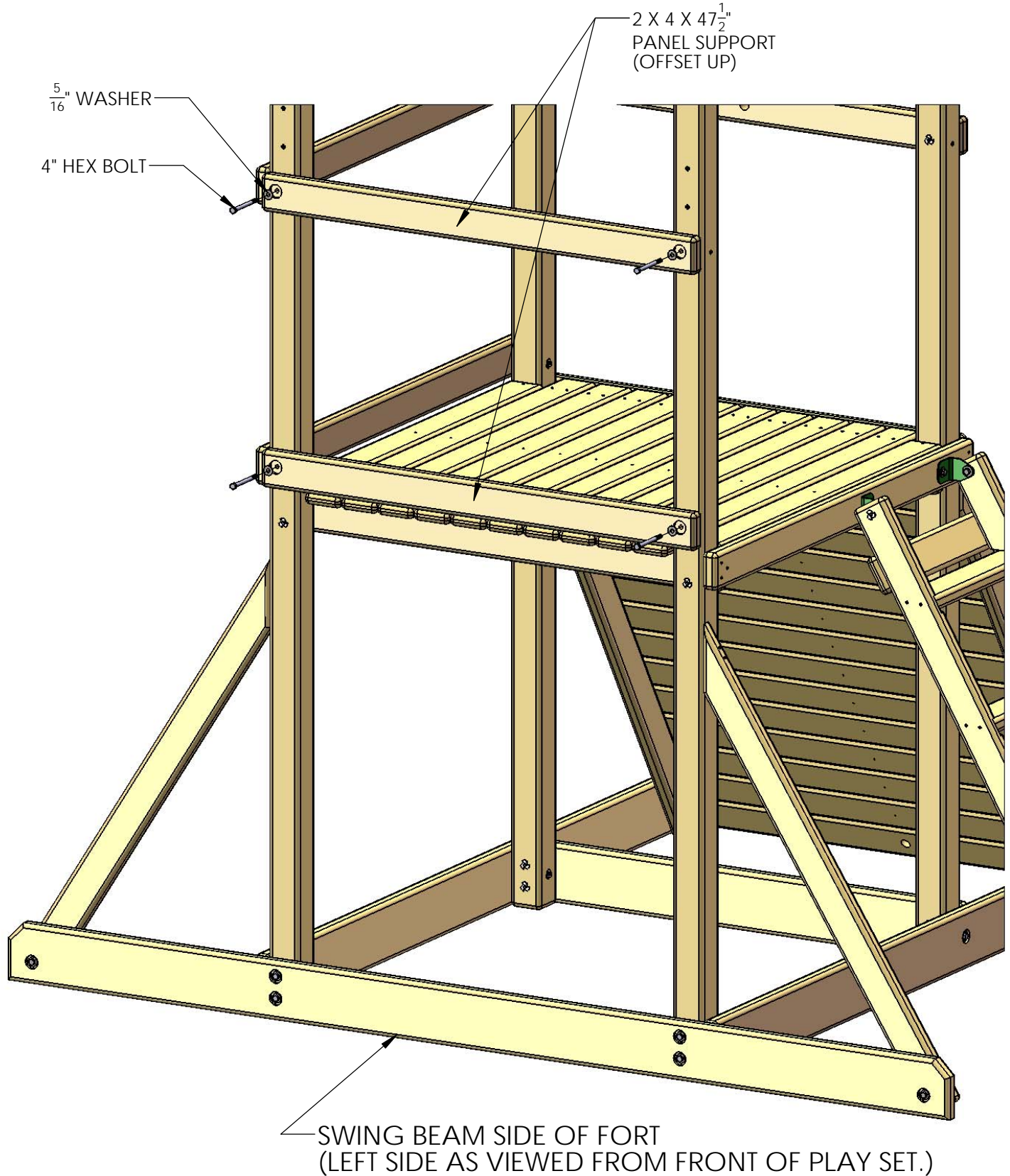
STEP 16: ATTACHING THE DECK BOARDS

- 1: TEN $\frac{5}{4}$ X 4 X $45\frac{1}{2}$ " DECK BOARDS WILL LAY ACROSS THE DECK SUPPORTS.
- 2: SPACE THE DECK BOARDS EVENLY ACROSS THE SUPPORTS. THERE WILL BE APPROXIMATELY $\frac{3}{16}$ " GAPS BETWEEN THE DECK BOARDS AND/OR DECK SPACERS.
- 3: SECURE EACH DECK BOARD TO THE DECK SUPPORTS WITH FOUR 2" WOOD SCREWS, TWO PER SIDE.



STEP 17: PANEL SUPPORTS

1: THE 2 X 4 X 44" PANEL SUPPORT BOARDS SHOULD HAVE THE HOLES OFFSET UP. USE 4" HEX BOLTS AND $\frac{5}{16}$ " WASHERS TO SECURE THE BOARDS TO THE CORNER POSTS.



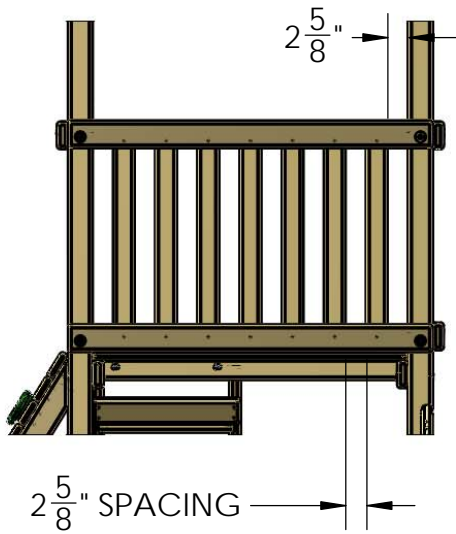
STEP 18: PANEL/WALL SLATS

1. BEGIN ON THE REAR WALL OF THE FORT WITH SEVEN SLAT BOARDS ($\frac{5}{4} \times 3 \times 28\frac{1}{2}$ "). PLACE THE SLATS ON THE INSIDE OF THE PANEL SUPPORT BOARDS. SPACE THE BOARDS AS SHOWN IN THE "REAR SLAT SPACING" DIAGRAM BELOW. FASTEN EACH BOARD TO THE PANEL SUPPORTS WITH TWO 2" WOOD SCREWS.

2. GO TO THE LEFT SIDE WALL OF THE FORT WITH SEVEN SLAT BOARDS ($\frac{5}{4} \times 3 \times 28\frac{1}{2}$ "). PLACE THE SLATS ON THE INSIDE OF THE PANEL SUPPORT BOARDS. SPACE THE BOARDS AS SHOWN IN THE "LEFT SIDE SLAT SPACING" DIAGRAM BELOW. FASTEN EACH BOARD TO THE PANEL SUPPORTS WITH TWO 2" WOOD SCREWS.

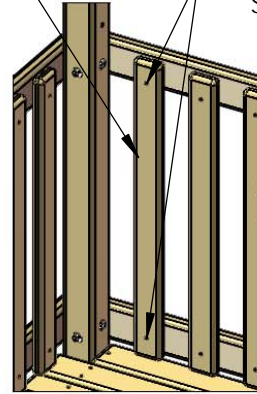
REAR SLAT SPACING

(VIEW FROM REAR OF PLAY SET)



$\frac{5}{4} \times 3 \times 28\frac{1}{2}$ "
PANEL SLAT

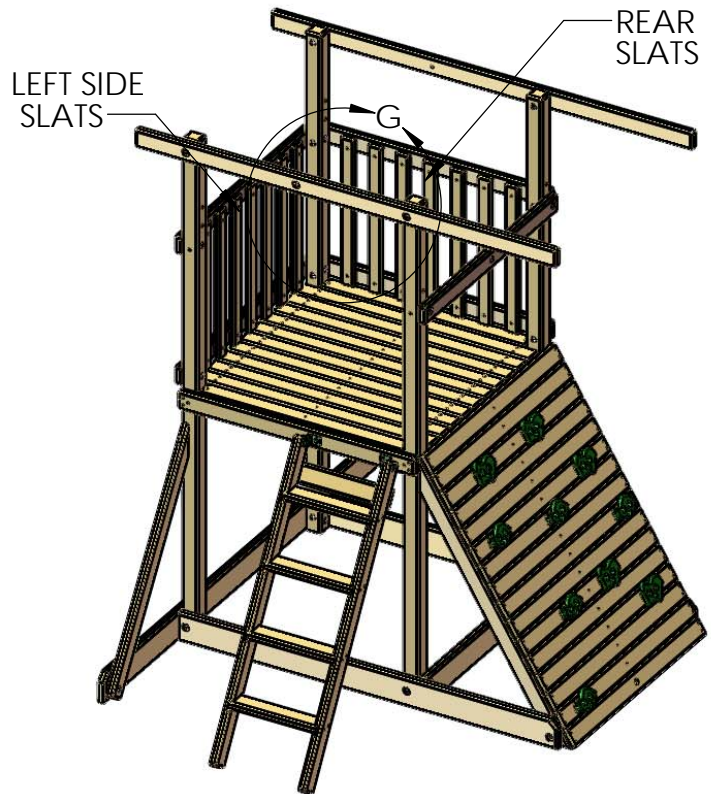
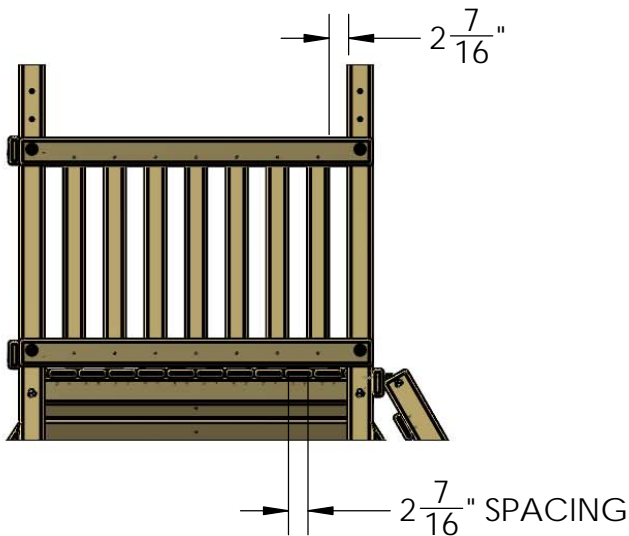
2" WOOD
SCREWS



DETAIL G
SCALE 1 : 16

LEFT SIDE SLAT SPACING

(VIEW FROM LEFT SIDE OF PLAY SET)

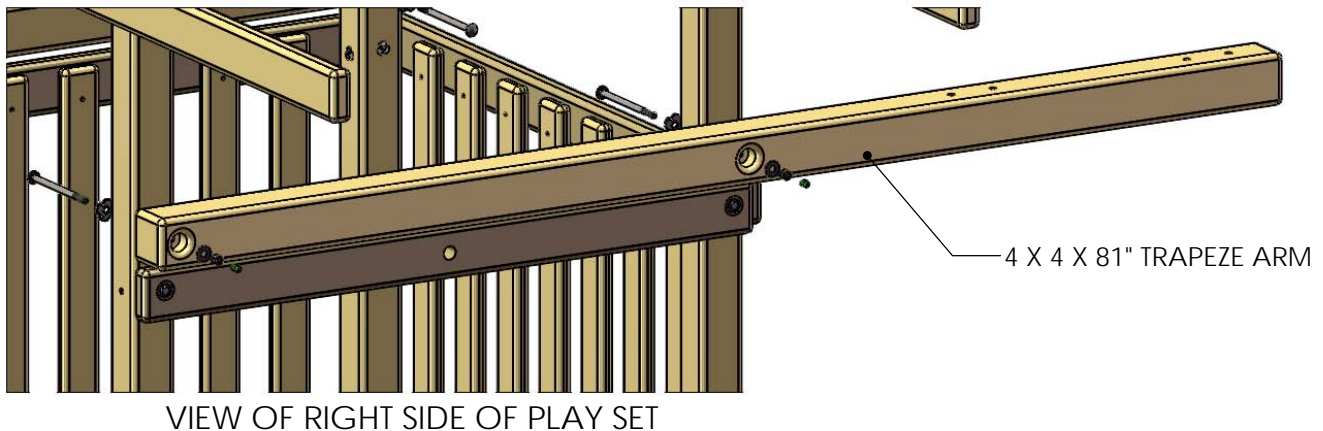
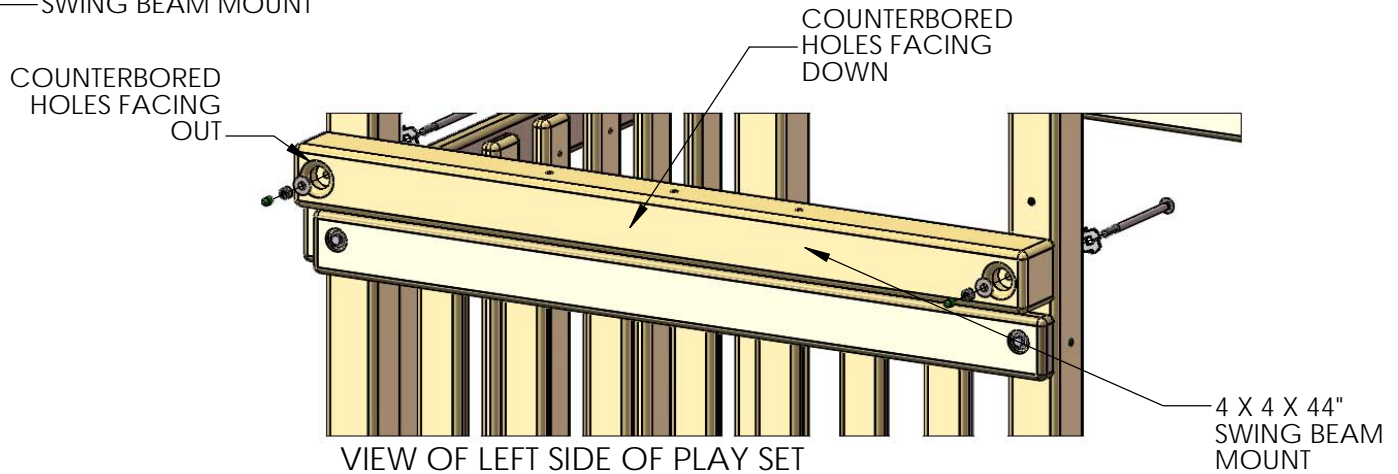
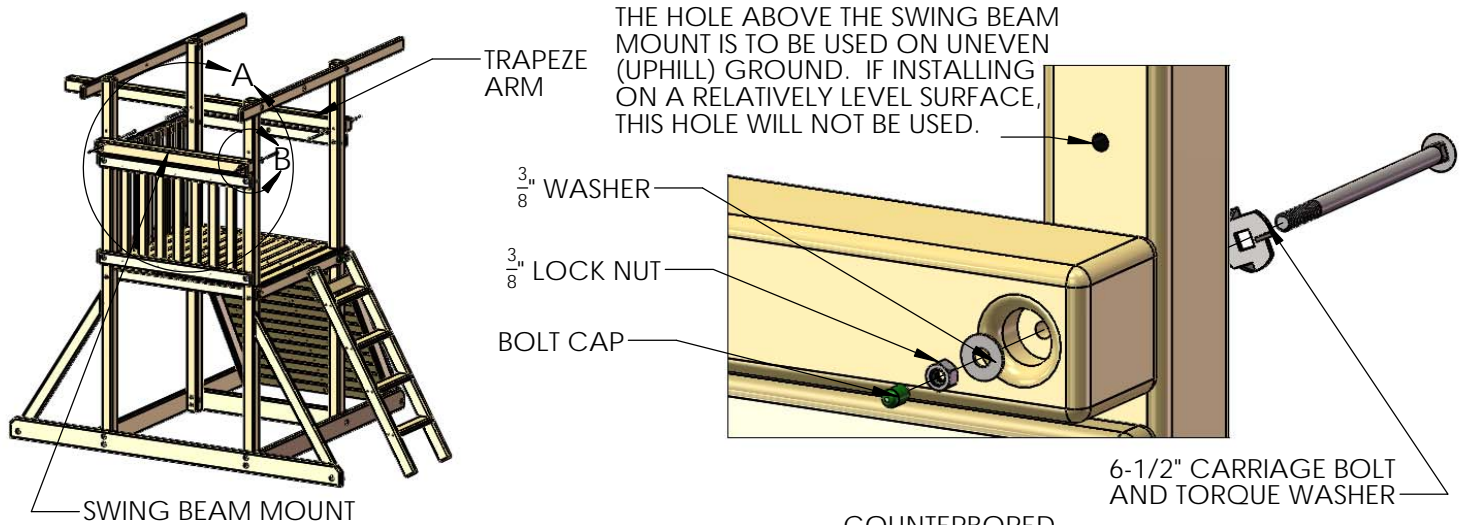


STEP 19: SWING BEAM MOUNT AND TRAPEZE ARM

1: THE 4 X 4 X 44" SWING BEAM MOUNT HAS COUNTERBORED HOLES IN THE CENTER, AND ON THE ENDS. INSTALL THE SWING BEAM MOUNT SO THAT THE COUNTERBORED HOLES ON EACH END OF THE BEAM FACE OUT, AND THE COUNTERBORED HOLES AT THE CENTER FACE DOWN.

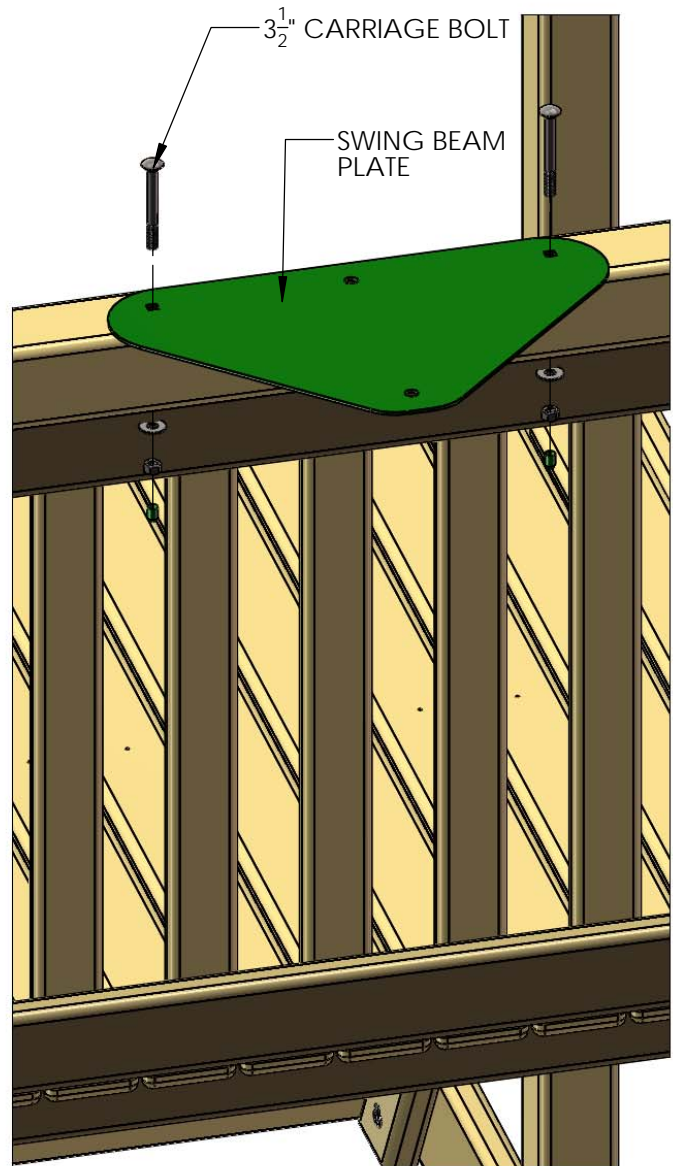
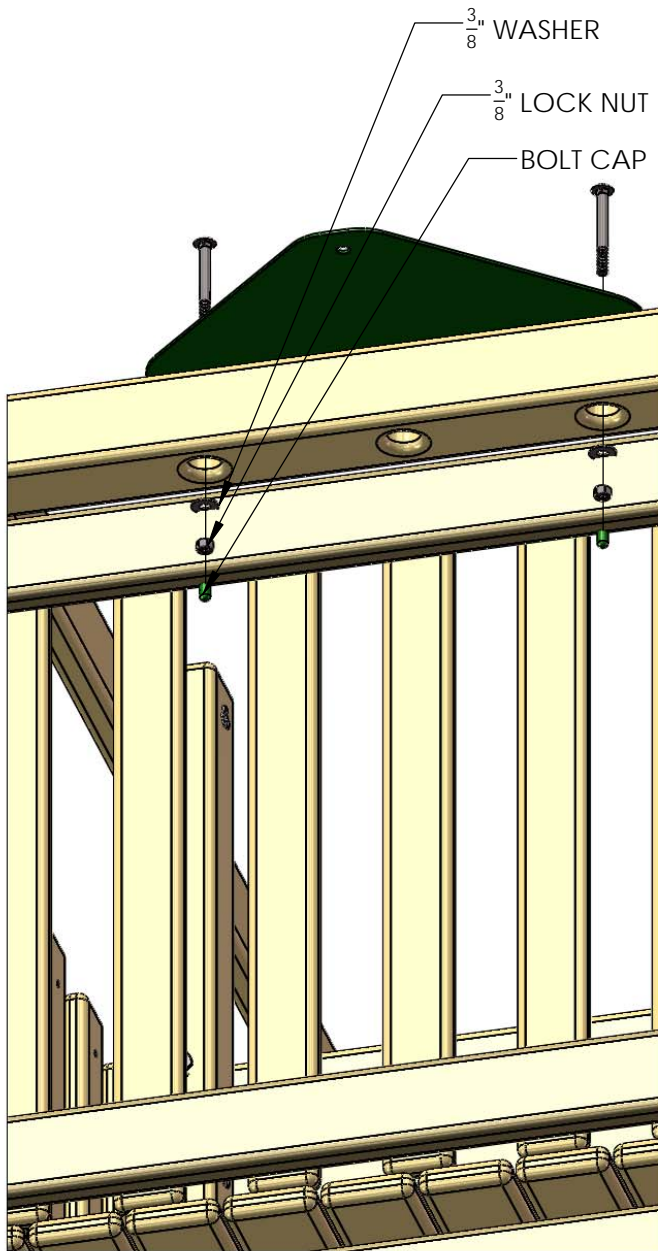
2: FASTEN THE SWING BEAM MOUNT TO THE CORNER POSTS USING 6-1/2" CARRIAGE BOLTS WITH TORQUE WASHERS. PLACE THE CARRIAGE BOLT INTO THE TORQUE WASHER, THEN INTO THE HOLE OF THE CORNER POST AND SET WITH A HAMMER. USE 3/8" LOCK NUTS AND WASHERS TO SECURE THE SWING BEAM MOUNT FROM THE OUTSIDE. PLACE BOLT CAPS OVER THE EXPOSED THREADS AFTER SECURING.

3: THE 4 X 4 X 81" TRAPEZE ARM WILL ATTACH TO THE UNIT IN THE SAME MANNER AS THE SWING BEAM MOUNT. THE TRAPEZE ARM WILL MOUNT ON THE OPPOSITE SIDE OF THE UNIT ABOVE THE ROCK WALL.



STEP 20: SWING BEAM PLATE

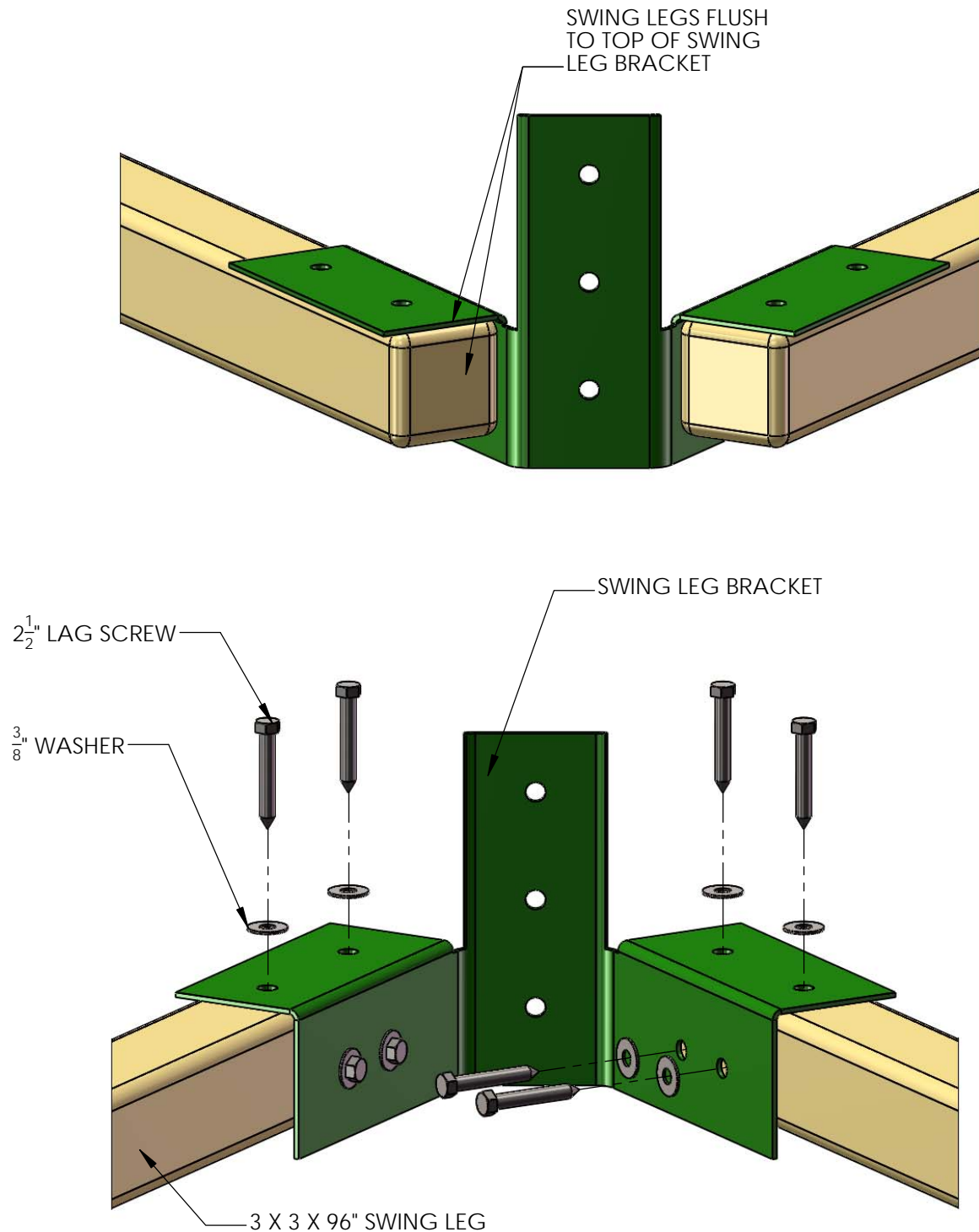
- 1: PLACE THE SWING BEAM PLATE ON TOP OF THE SWING BEAM MOUNT, LINING UP PILOT HOLES.
- 2: FASTEN THE SWING BEAM PLATE TO THE SWING BEAM MOUNT ON THE OUTER HOLES USING $3\frac{1}{2}$ " CARRIAGE BOLTS ON TOP, AND $\frac{3}{8}$ " WASHERS AND $\frac{3}{8}$ " LOCK NUTS ON THE BOTTOM. PLACE GREEN BOLT COVERS OVER EXPOSED THREADS AFTER SECURING.
- 3: LEAVE THE MIDDLE HOLE EMPTY, IT WILL BE USED LATER.



STEP 21: ATTACH SWING LEGS TO BRACKET

1: PLACE THE 3 X 3 X 96" SWING LEGS FLUSH TO THE TOP OF THE SWING LEG BRACKET. MARK THROUGH THE HOLE LOCATIONS IN THE BRACKET ONTO THE SWING LEGS. DRILL 1 1/64" HOLES 2-1/2" DEEP AT EACH MARK.

2: FASTEN THE SWING LEGS TO THE SWING LEG BRACKET WITH 2 1/2" LAG SCREWS AND 3/8" WASHERS.

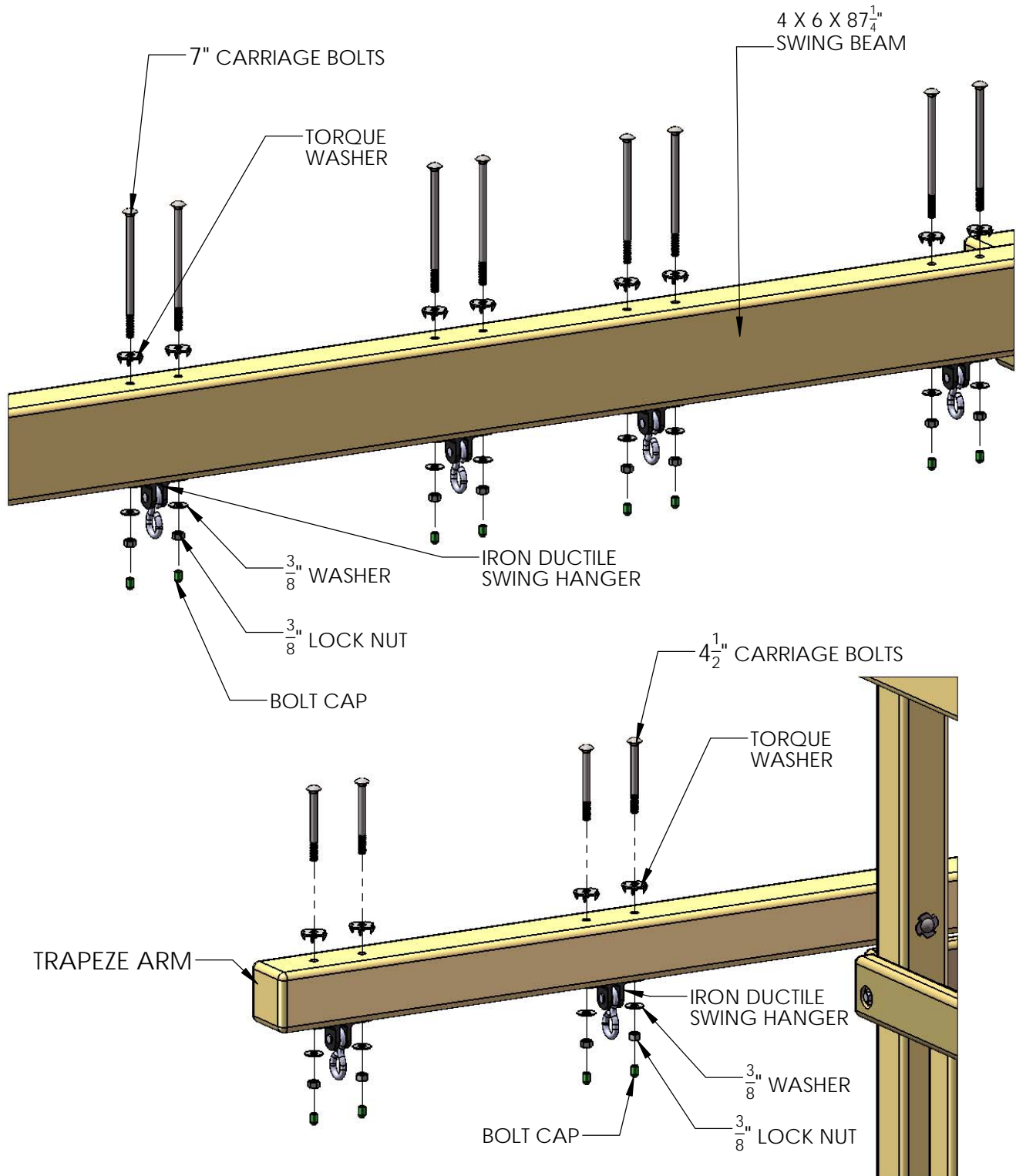


STEP 22: IRON DUCTILE SWING HANGERS

1: LINE UP THE HOLES OF THE IRON DUCTILE SWING HANGERS WITH THE HOLES IN THE SWING BEAM.

2: FASTEN THE IRON DUCTILE SWING HANGERS TO THE 4 X 6 X 87 $\frac{1}{4}$ " SWING BEAM USING 7" CARRIAGE BOLTS WITH TORQUE WASHERS ON TOP OF THE SWING BEAM, AND $\frac{3}{8}$ " LOCK NUTS AND $\frac{3}{8}$ " WASHERS ON THE BOTTOM. PLACE BOLT CAPS OVER EXPOSED THREADS AFTER SECURING.

3: FASTEN THE IRON DUCTILE SWING HANGERS TO THE TRAPEZE ARM IN THE SAME MANNER THAT YOU FASTENED THEM TO THE SWING BEAM. USE 4-1/2" CARRIAGE BOLTS WITH TORQUE WASHERS ON TOP OF THE TRAPEZE ARM, AND $\frac{3}{8}$ " LOCK NUTS AND $\frac{3}{8}$ " WASHERS ON THE BOTTOM. PLACE BOLT CAPS OVER ANY EXPOSED THREADS AFTER SECURING.



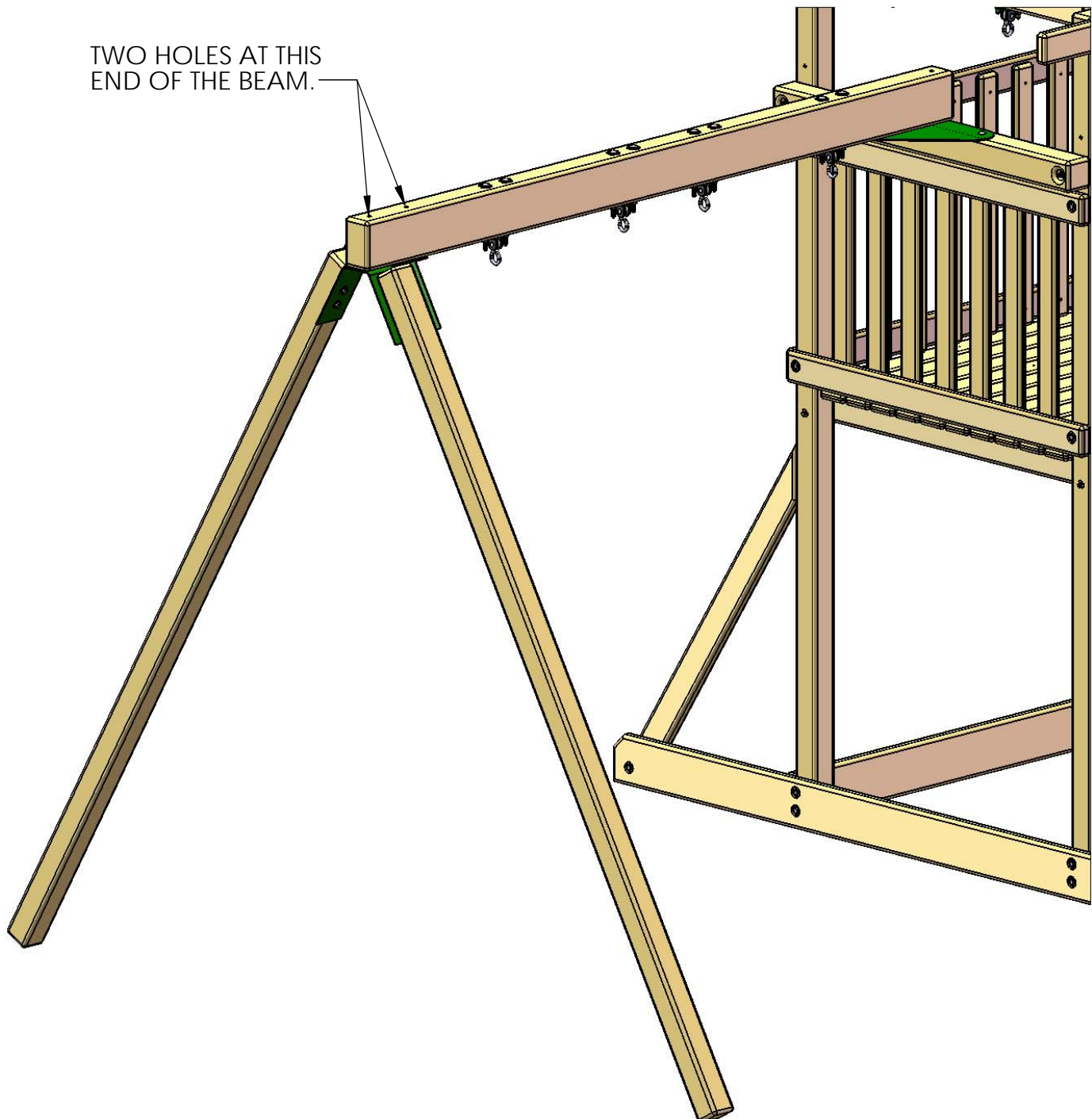
STEP 23: REST SWING BEAM ON FORT

*TWO PEOPLE ARE REQUIRED FOR THIS STEP

1: SIT THE SWING BEAM LEGS UPRIGHT.

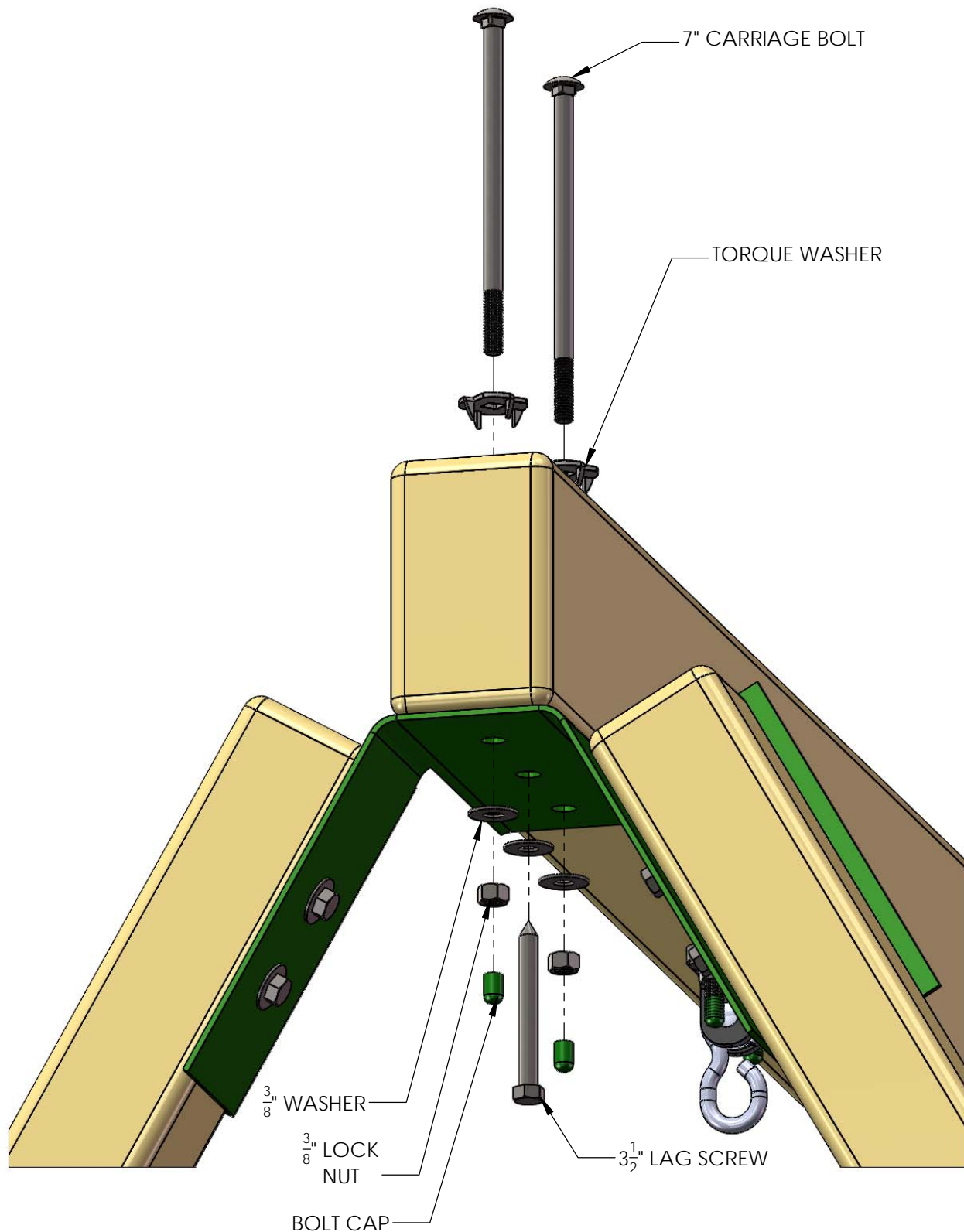
2: LINE UP THE PRE-DRILLED HOLES AND REST THE SWING BEAM ON TOP OF THE SWING BEAM SUPPORT PLATE AND SWING LEGS. MAKE SURE THE IRON DUCTILE SWING HANGERS ARE FACING DOWN.

TIP: IF YOU ARE ALONE BUILDING THE PLAY SET THEN LAY THE SWING BEAM ACROSS THE TOP OF THE SWING BEAM MOUNT AND THE TRAPEZE ARM ABOVE THE DECK OF THE PLAY SET. THEN PROCEED TO STEP 24 TO CONNECT THE LEGS TO THE END OF THE BEAM. GET AN ASSISTANT TO HELP CARRY THE SWING BEAM OUT AWAY FROM THE FORT BY THE LEGS AND REST THE END OF THE BEAM ON TOP OF THE SWING BEAM PLATE. NOW PROCEED TO STEP 25 AND ATTACH THE OTHER END OF THE SWING BEAM TO THE PLAY SET.



STEP 24: SWING BEAM TO SWING BEAM LEGS

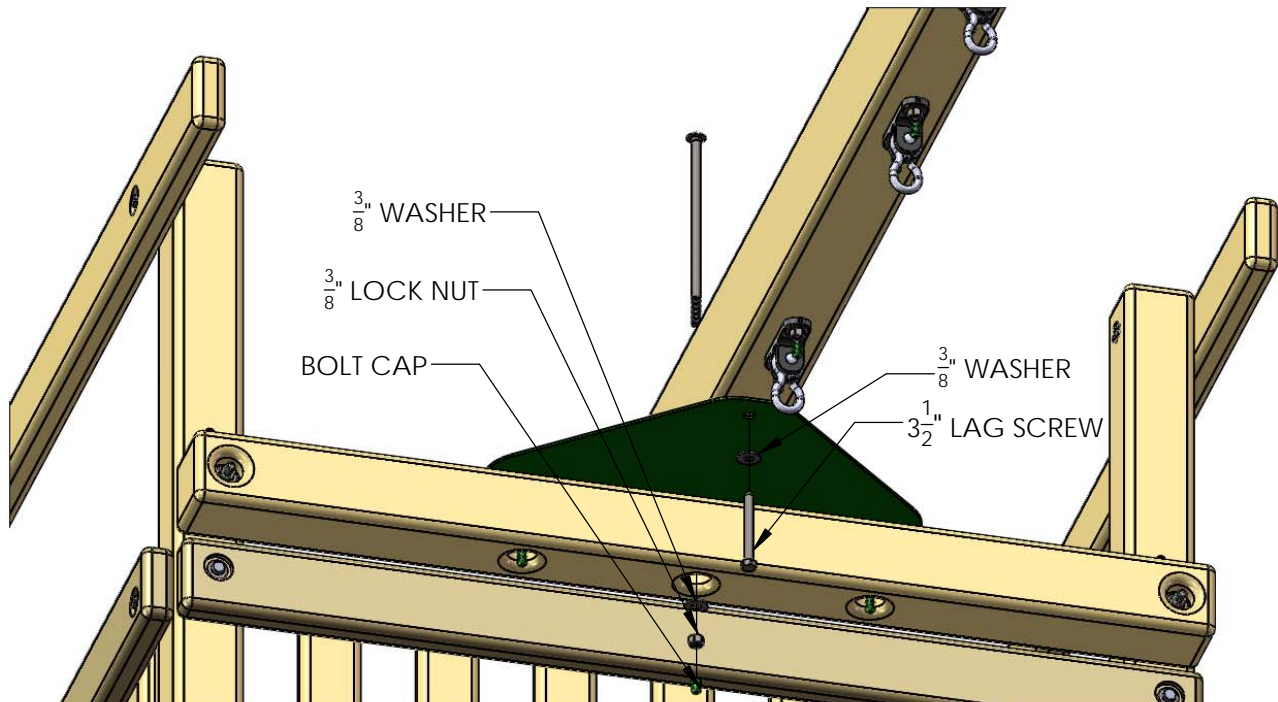
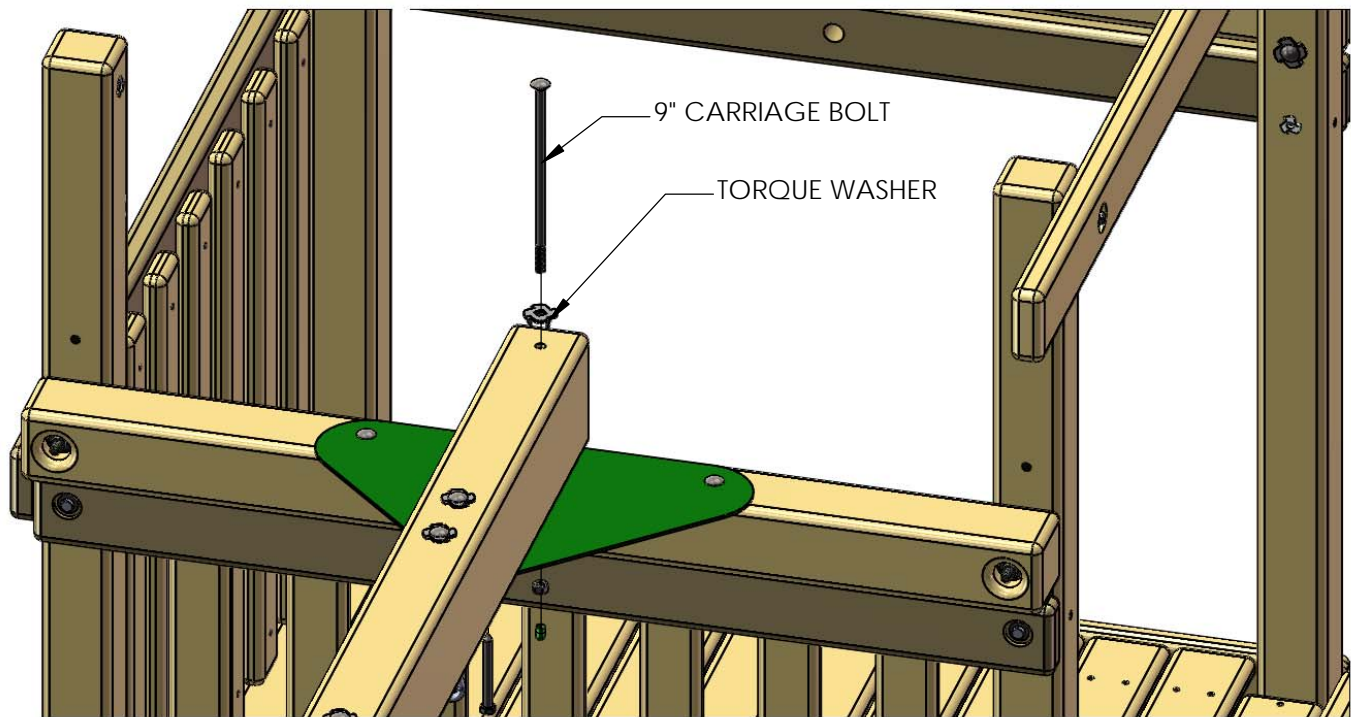
- 1: FASTEN THE SWING BEAM TO THE SWING LEG BRACKET USING 7" CARRIAGE BOLTS WITH TORQUE WASHERS ON TOP OF THE SWING BEAM, AND $\frac{3}{8}$ " LOCK NUTS WITH $\frac{3}{8}$ " WASHERS UNDERNEATH.
- 2: USE A $3\frac{1}{2}$ " LAG SCREW AND $\frac{3}{8}$ " WASHER IN THE MIDDLE HOLE OF THE SWING LEG BRACKET.
- 3: PLACE GREEN BOLT CAPS OVER EXPOSED THREADS AFTER SECURING.



STEP 25: SWING BEAM TO FORT

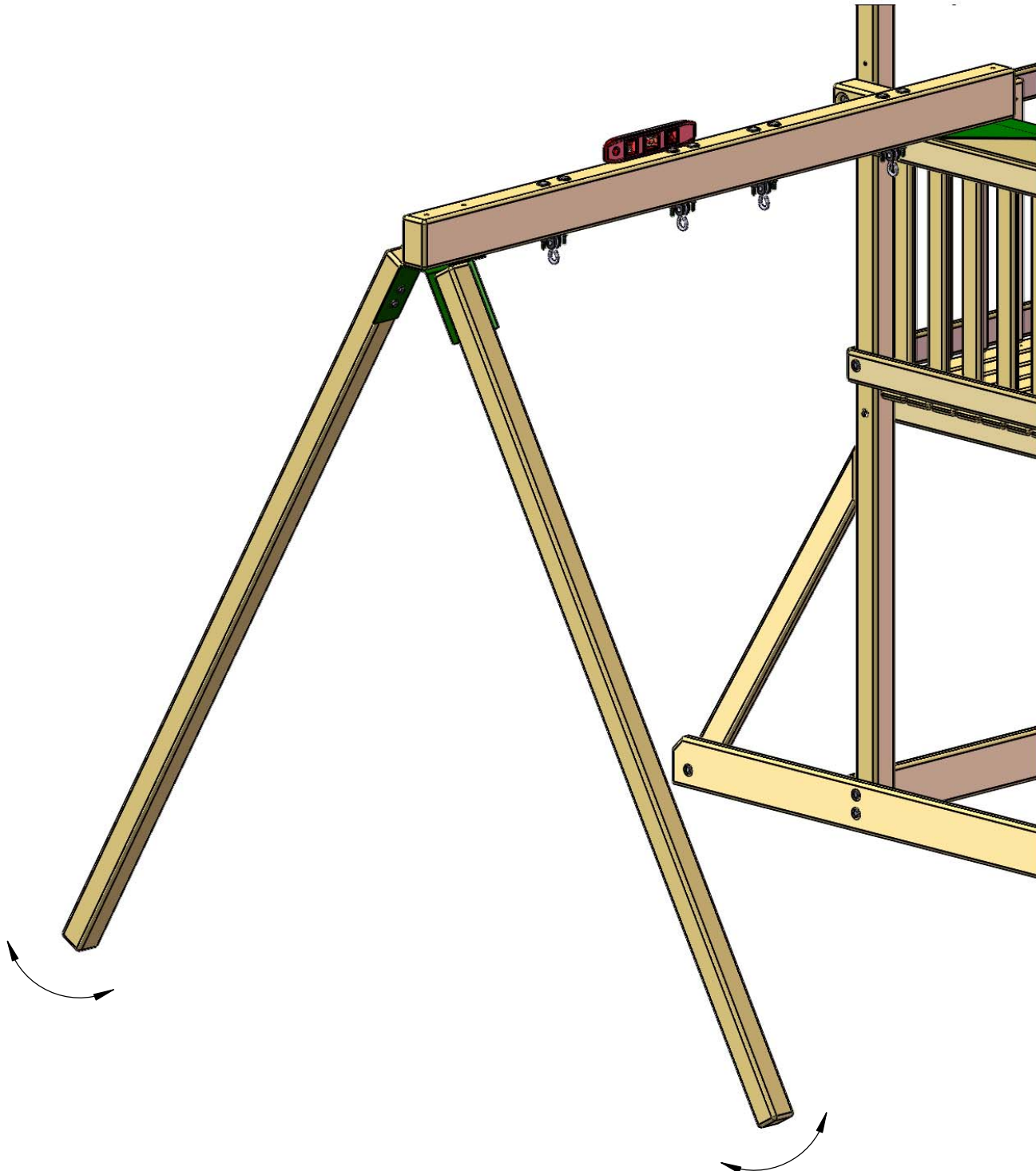
*AN EXTRA PERSON IS REQUIRED FOR THIS STEP

- 1: LINE UP THE PILOT HOLE ON THE END OF THE SWING BEAM WITH THE MIDDLE HOLE ON THE SWING BEAM PLATE.
- 2: FASTEN THE SWING BEAM TO THE SWING BEAM PLATE AND SWING BEAM SUPPORT USING A 9" CARRIAGE BOLT WITH TORQUE WASHER ON TOP AND A $\frac{3}{8}$ " LOCK NUT AND $\frac{3}{8}$ " WASHER ON THE BOTTOM. PLACE GREEN BOLT CAPS OVER EXPOSED THREADS AFTER SECURING.
- 3: FASTEN THE SWING BEAM TO THE SWING BEAM PLATE FROM UNDERNEATH WITH A $3\frac{1}{2}$ " LAG SCREW AND $\frac{3}{8}$ " WASHER.



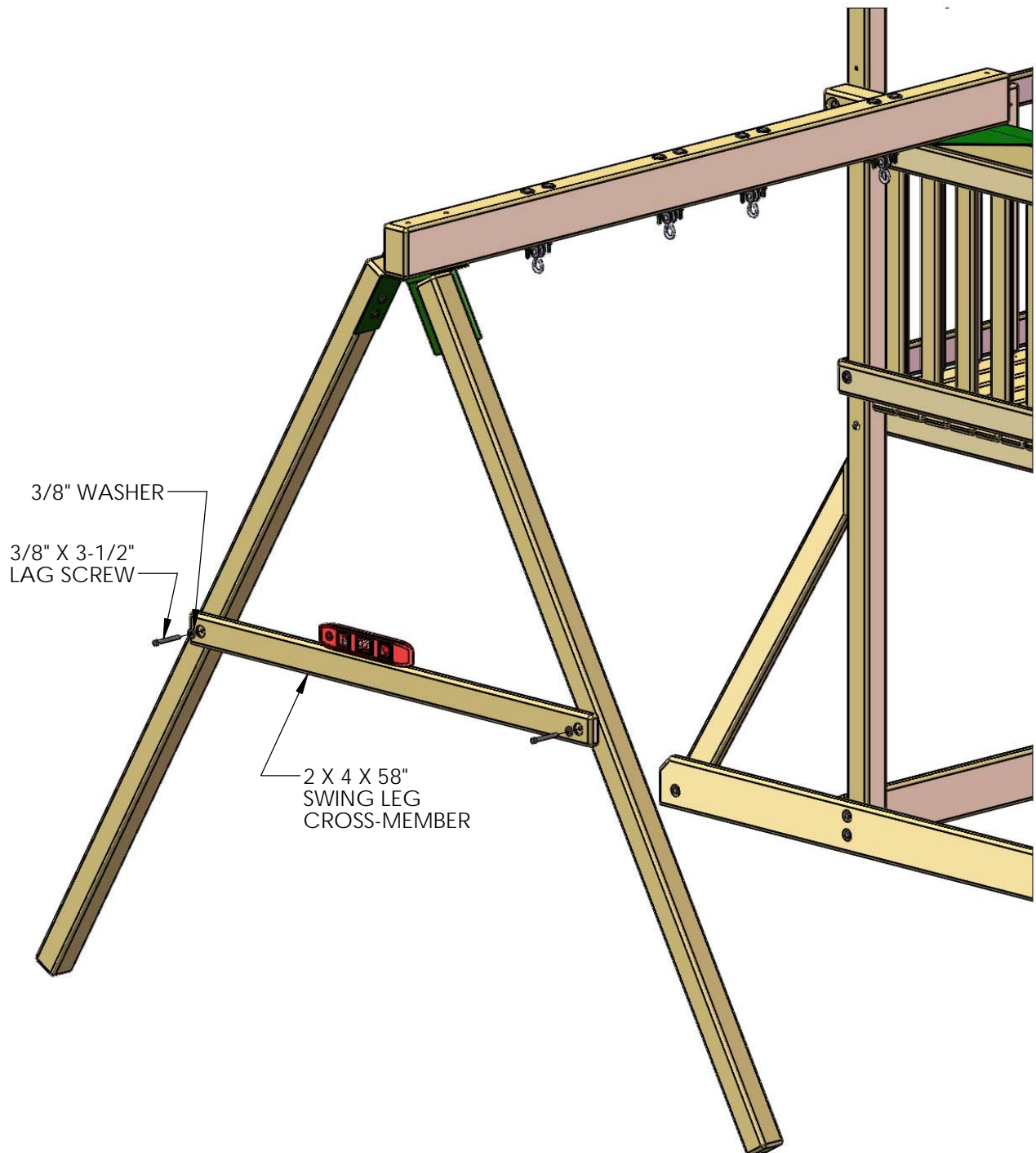
STEP 26: LEVEL THE SWING BEAM

1: PLACE A LEVEL ON TOP OF THE SWING BEAM AND ADJUST THE LEGS IN OR OUT AS NEEDED TO MAKE THE SWING BEAM LEVEL.



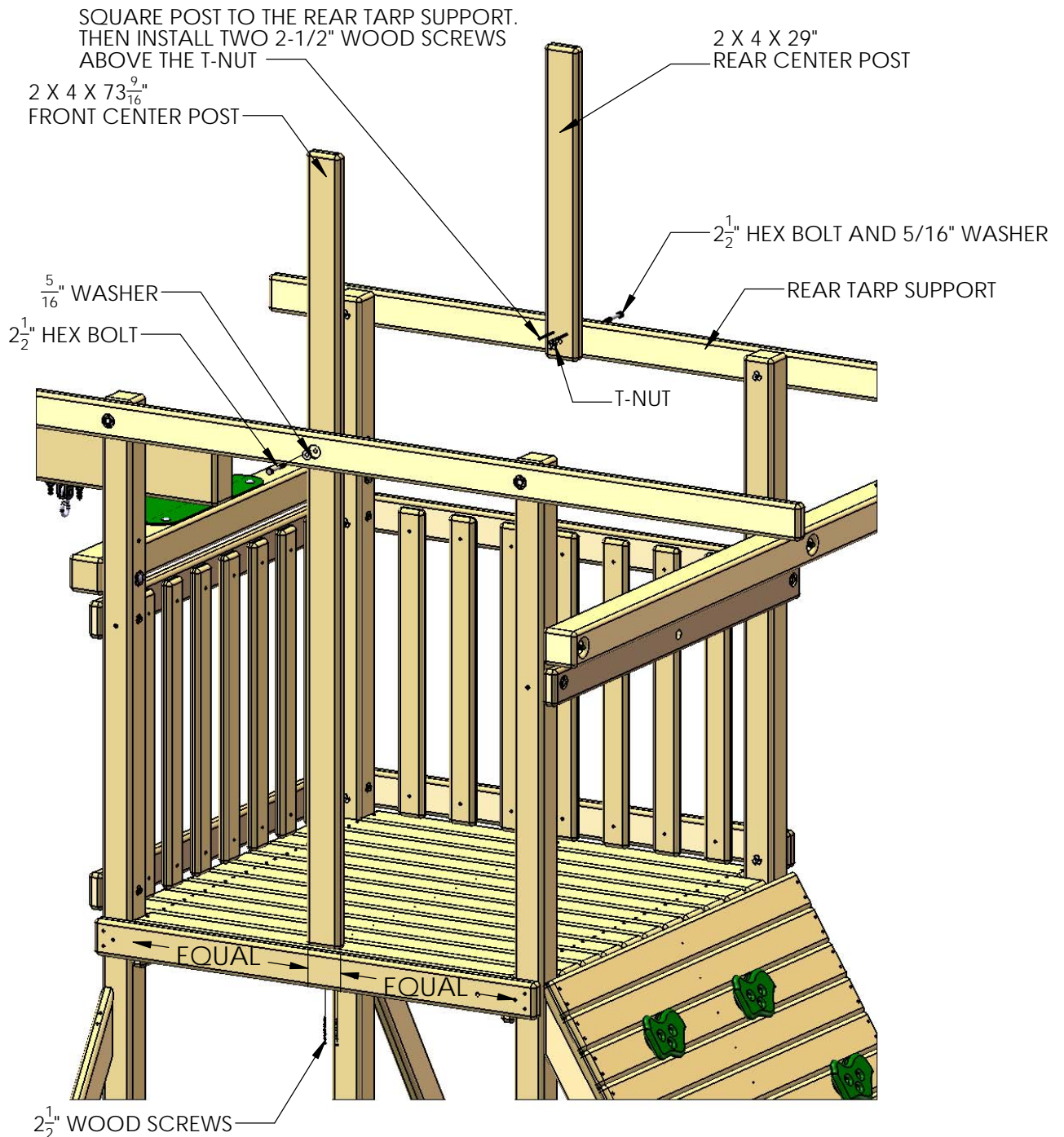
STEP 27: SWING LEG CROSS-MEMBER

- 1: POSITION THE 2 X 4 X 58" SWING LEG CROSS-MEMBER AGAINST THE SWING BEAM LEGS.
- 2: LEVEL CROSS-MEMBER, AND MARK THROUGH THE HOLES ONTO THE SWING LEGS.
- 3: AT THE MARKS DRILL 11/64" HOLES 2-1/2" DEEP.
- 4: SECURE THE CROSS-MEMBER TO THE SWING LEGS WITH 3/8" X 3-1/2" LAG SCREWS AND 3/8" WASHERS.



STEP 28: ATTACHING CENTER POSTS

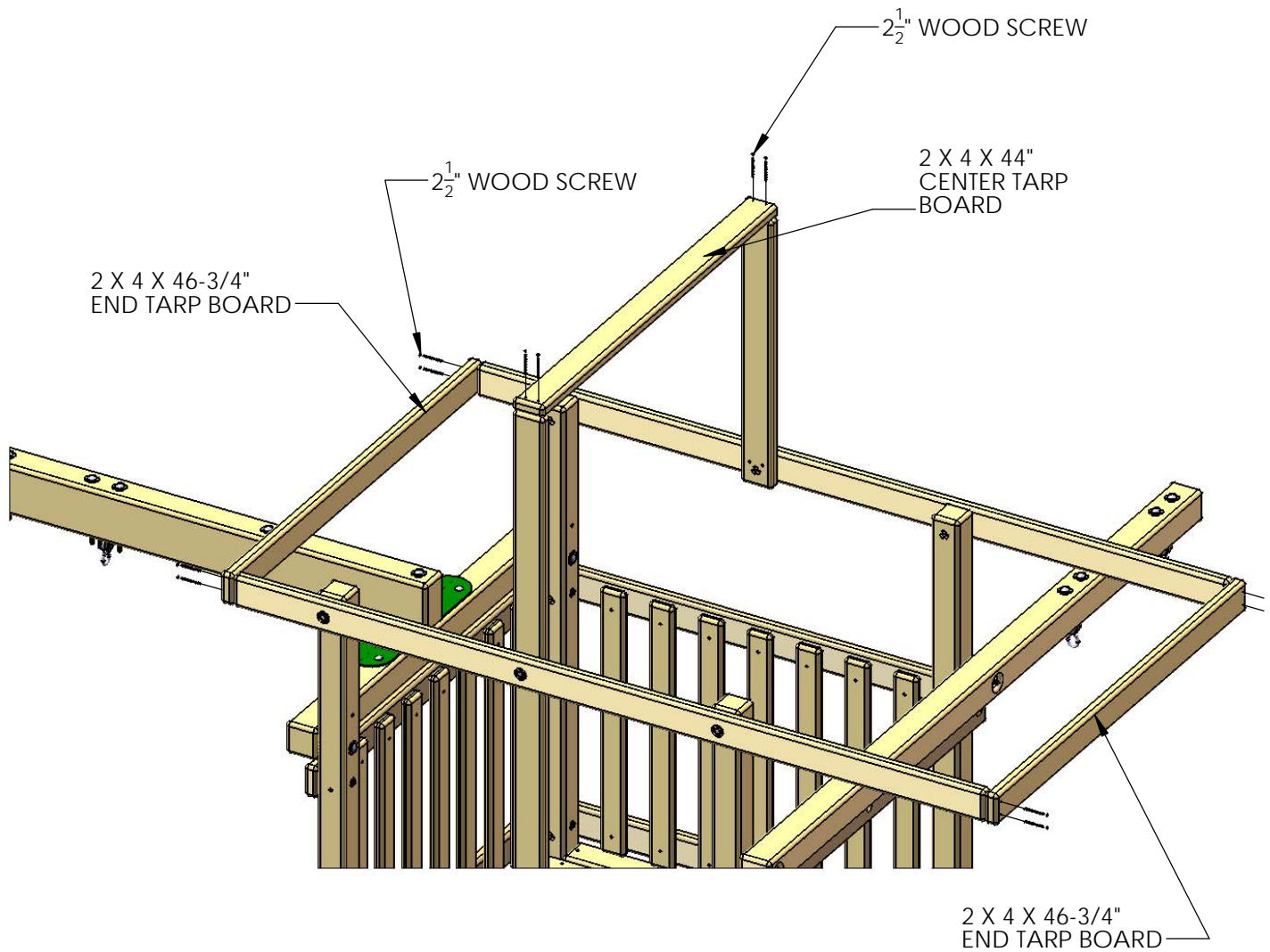
- 1: THE 2 X 4 X 73 $\frac{9}{16}$ " AND 2 X 4 X 29" CENTER POSTS WILL ATTACH TO THE TARP SUPPORT BOARDS WITH 2 $\frac{1}{2}$ " HEX BOLTS, $\frac{5}{16}$ " WASHERS, AND T-NUTS.
- 2: THE FRONT CENTER POST WILL BOLT TO THE FRONT TARP SUPPORT ON THE INSIDE WITH A 2 $\frac{1}{2}$ " HEX BOLT, A $\frac{5}{16}$ " WASHER, AND A T-NUT.
- 3: MAKE SURE THE OPENINGS ARE EQUAL ON EACH SIDE OF THE FRONT CENTER POST AS SHOWN BELOW. THEN ATTACH THE BOTTOM OF THE FRONT CENTER POST TO THE DECK SPACER FROM UNDERNEATH WITH TWO 2 $\frac{1}{2}$ " WOOD SCREWS,
- 4: THE REAR CENTER POST WILL BOLT TO THE REAR TARP SUPPORT ON THE INSIDE WITH A 2 $\frac{1}{2}$ " HEX BOLT, A $\frac{5}{16}$ " WASHER, AND A T-NUT. SQUARE THE REAR CENTER POST TO THE REAR TARP SUPPORT. INSTALL TWO #8 X 2-1/2" WOOD SCREWS THROUGH THE REAR CENTER POST INTO THE REAR TARP SUPPORT.



STEP 29: TARP BOARDS

1: THE 2 X 4 X 44" CENTER TARP BOARD WILL SECURE ON TOP OF THE CENTER POSTS WITH TWO $2\frac{1}{2}$ " WOOD SCREWS PER SIDE.

2: THE TWO 2 X 4 X 46 $\frac{3}{4}$ " TARP BOARDS WILL SECURE ON THE ENDS OF THE TARP SUPPORTS WITH TWO $2\frac{1}{2}$ " WOOD SCREWS PER SIDE.

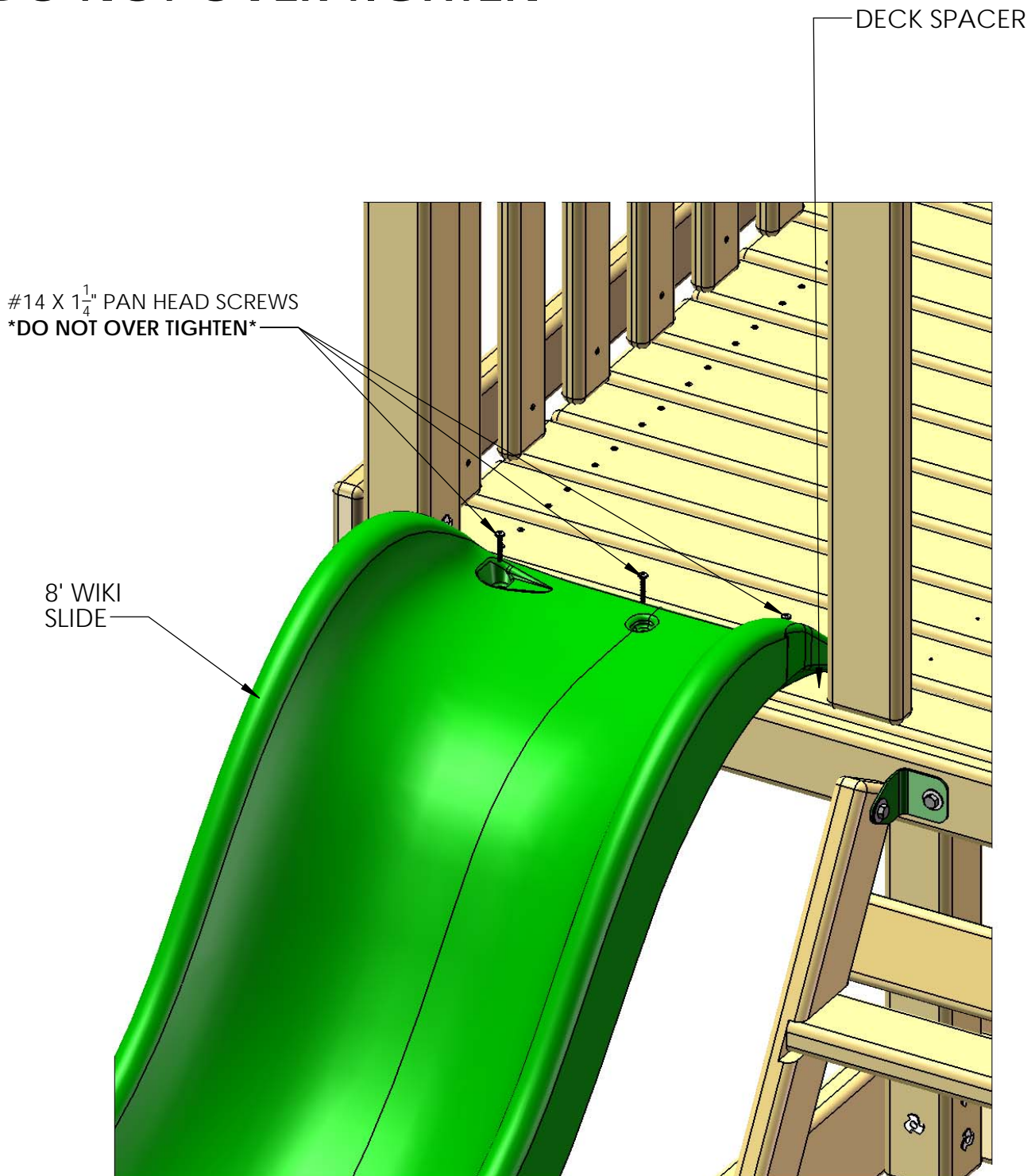


STEP 30: SLIDE

1: LAY SLIDE ON DECK EXTENDING ONTO/OVER DECK SPACER.

2: SECURE THE SLIDE TO THE DECK SPACER WITH THREE #14 x 1 $\frac{1}{4}$ " PAN HEAD SCREWS.

DO NOT OVER TIGHTEN

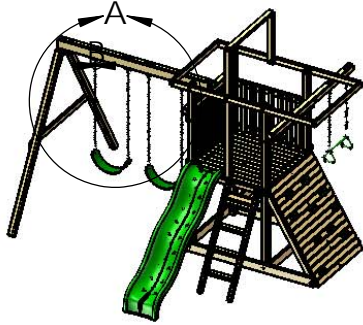


STEP 31: HANGING THE SWINGS

1: PLACE EACH OF SWING CHAINS ONTO THE HOOK ON THE IRON DUCTILE SWING HANGERS. PLACE CHAINS ONTO HIGHER OR LOWER LINKS TO ADJUST THE HEIGHT OF THE SWING.

2: REPEAT THIS PROCESS FOR THE TRAPEZE SWING.

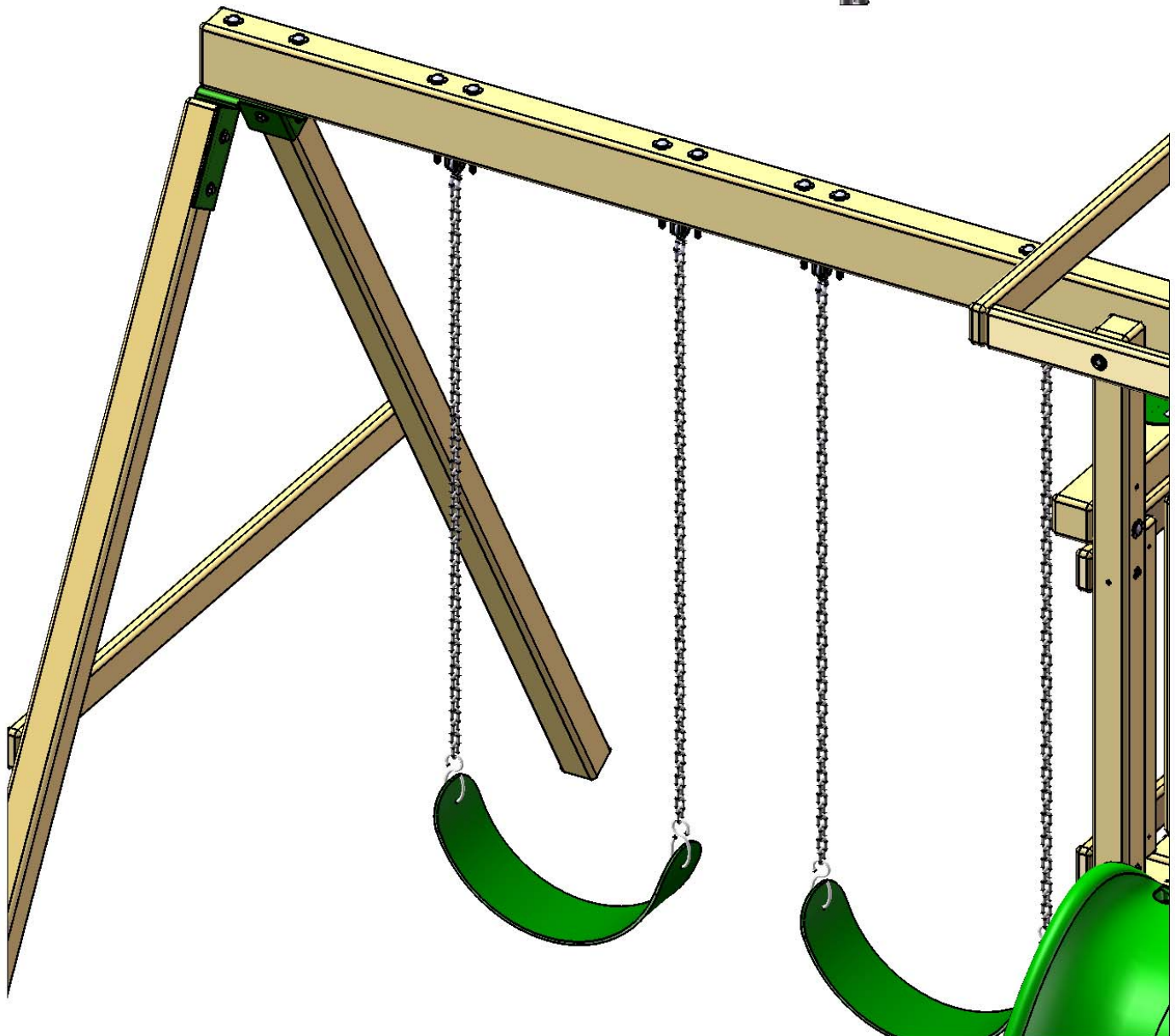
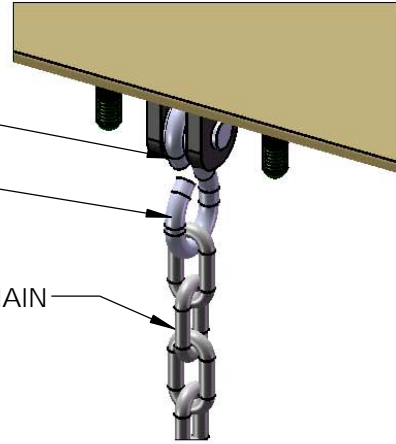
WARNING - DO NOT PLACE SWING BELTS ON THE TRAPEZE ARM.



IRON DUCTILE SWING HANGER

HOOK

SWING CHAIN



STEP 32: TARP

1: LAY TARP ACROSS TARP BOARDS, MAKE SURE THE HEM SIDE IS DOWN. HAVE AN ASSISTANT HELP YOU. WRAP THE TARP ENDS AROUND THE END TARP BOARDS TO THE INSIDE. LEAVE AN EQUAL AMOUNT OF THE END TARP BOARD EXPOSED OVER THE TARP ENDS.

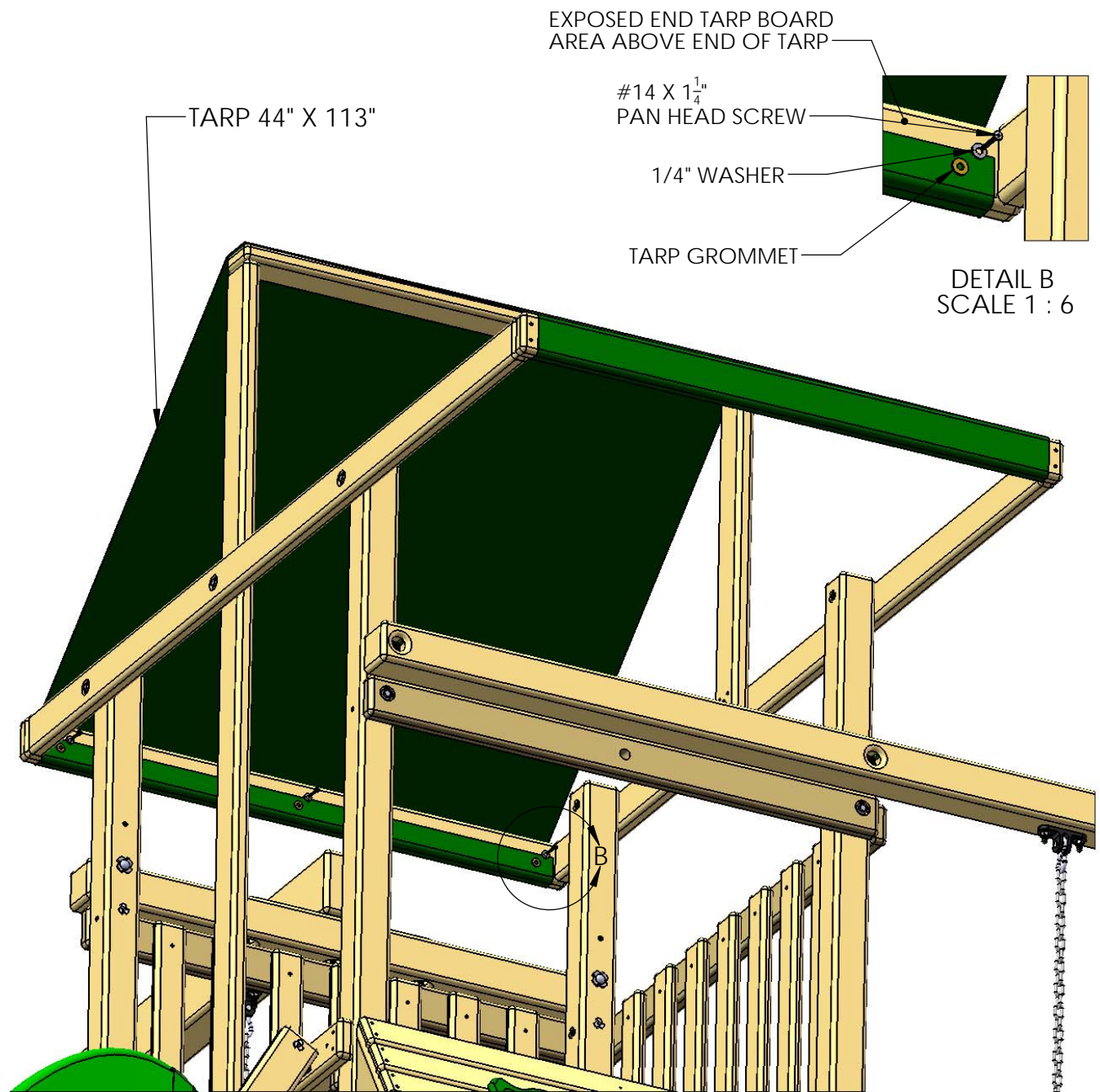
IF YOU WISH YOU MAY PREDRILL 1/8" HOLES AT THE EACH GROMMET LOCATION BEFORE INSTALLING THE SCREW AND WASHER AT THAT LOCATION. **CAUTION!** IF YOU DRILL THROUGH THE END TARP BOARD YOU WILL DRILL THROUGH THE TARP ON THE OUTSIDE.

2: BEGIN AT THE FRONT RIGHT SIDE CORNER. PREDRILL A HOLE IF YOU WISH, THEN PLACE ONE 1 $\frac{1}{4}$ " PANHEAD SCREW WITH 1/4" WASHER THROUGH THE GROMMET AND SECURE IT TO THE END TARP BOARD.

3: GO TO THE FRONT LEFT SIDE CORNER. PULL THE TARP TIGHT. PREDRILL A HOLE IF YOU WISH, THEN PLACE ONE 1 $\frac{1}{4}$ " PANHEAD SCREW WITH 1/4" WASHER THROUGH THE GROMMET AND SECURE IT TO THE END TARP BOARD.

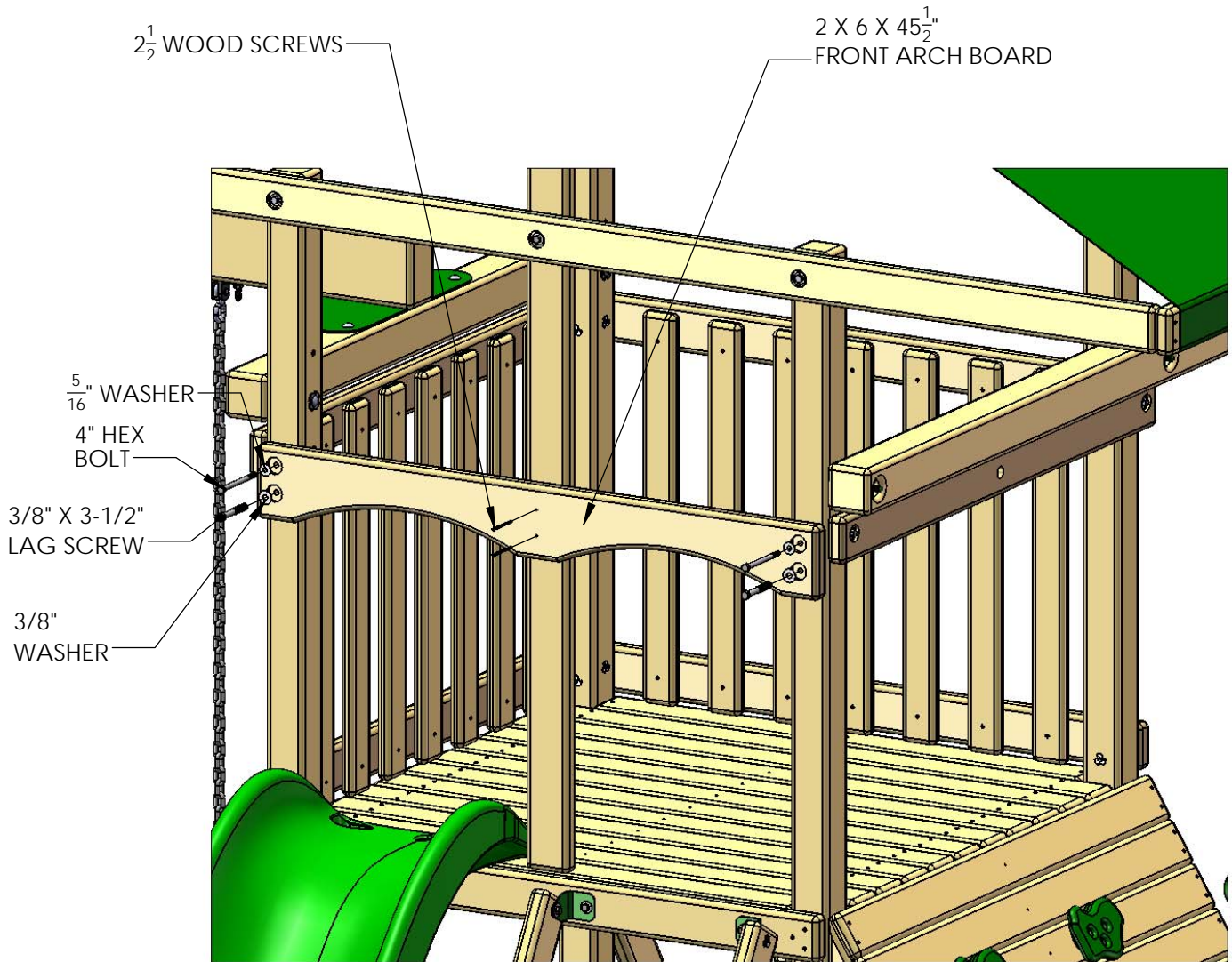
4: NOW THE MIDDLE RIGHT SIDE GROMMET WILL RECEIVE A SCREW, THEN THE SAME GROMMET ON THE OPPOSITE SIDE (LEFT SIDE).

5: ESSENTIALLY, WHAT YOU ARE DOING IS ALTERNATING FROM SIDE TO SIDE, FROM THE FRONT OF THE FORT MOVING BACK, TO KEEP THE TARP TIGHT AND WRINKLE-FREE.



STEP 33: FRONT ARCH BOARD

- 1: PLACE THE 2 X 6 X 45 $\frac{1}{2}$ " FRONT ARCH BOARD ACROSS THE FRONT CORNER AND CENTER POSTS.
- 2: SECURE THE FRONT ARCH BOARD TO THE CORNER POSTS WITH 4" HEX BOLTS AND $\frac{5}{16}$ " WASHERS IN THE TOP HOLES. PREDRILL $\frac{11}{64}$ " HOLES ABOUT 2-1/2" DEEP THROUGH THE BOTTOM HOLES FOR THE 3/8" X 3-1/2" LAG SCREWS. FASTEN A 3/8" X 3-1/2" LAG SCREW WITH A 3/8" WASHER IN EACH BOTTOM HOLE.
- 3: USE TWO 2 $\frac{1}{2}$ " WOOD SCREWS TO FASTEN THE FRONT ARCH BOARD TO THE FRONT CENTER POST.

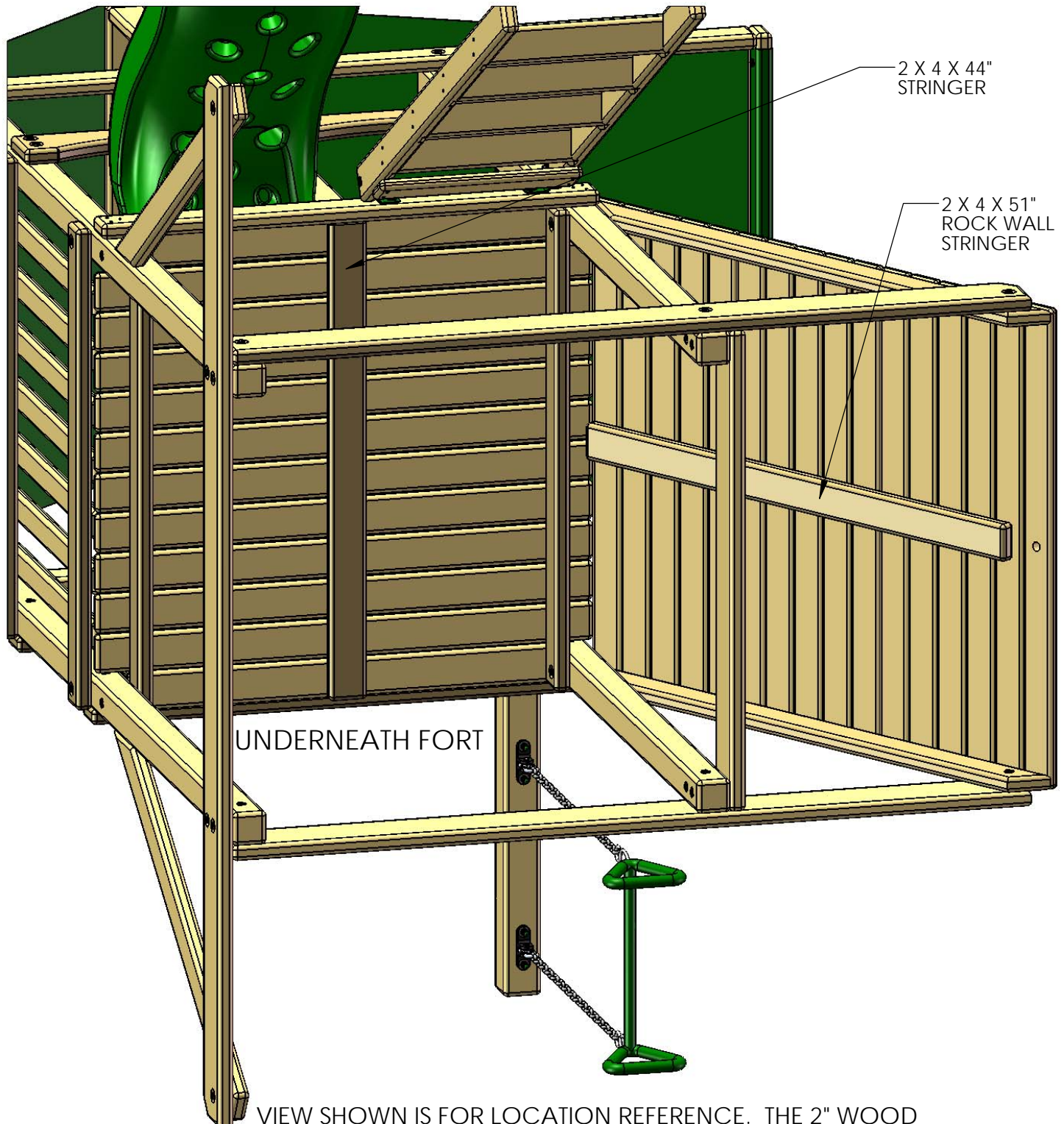


STEP 34: STRINGERS

1: PLACE THE 2 X 4 X 44" STRINGER AND THE 2 X 4 X 51" ROCK WALL STRINGER UNDERNEATH THE DECK AND ROCK WALL BOARDS.

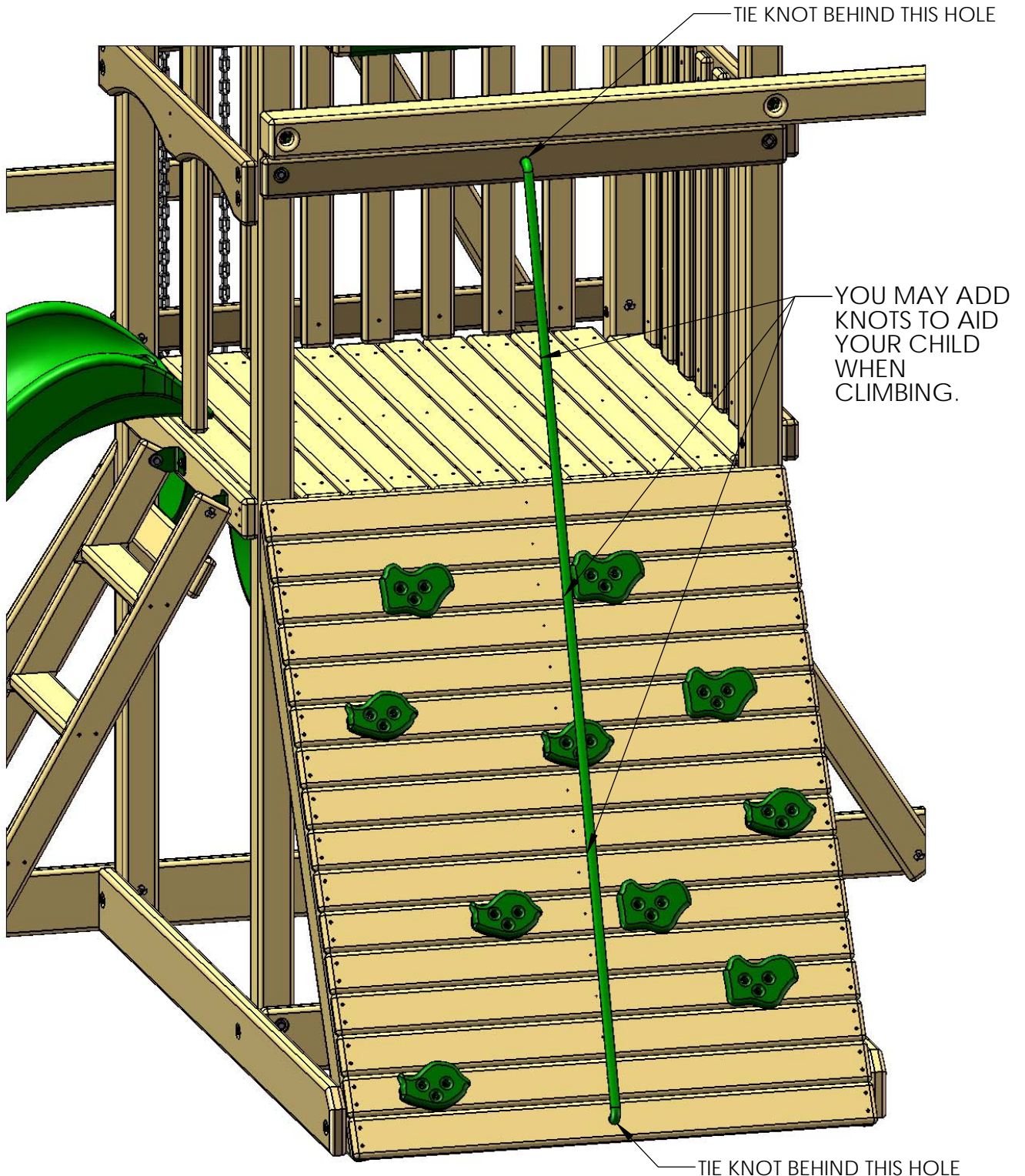
2: FASTEN THE STRINGERS TO THE DECK AND ROCK WALL BOARDS FROM THE OUTSIDE WITH 2" WOOD SCREWS. ONE SCREW PER BOARD.

NOTE: THE STRINGERS WILL MOUNT PERPENDICULAR TO THE DIRECTION OF THE DECK AND ROCK WALL BOARDS, BOTH STRINGERS ARE CENTERED. THE ROCK WALL STRINGER WILL START AT THE TOP OF THE ROCK WALL BOARDS,



STEP 35: CLIMBING ROPE

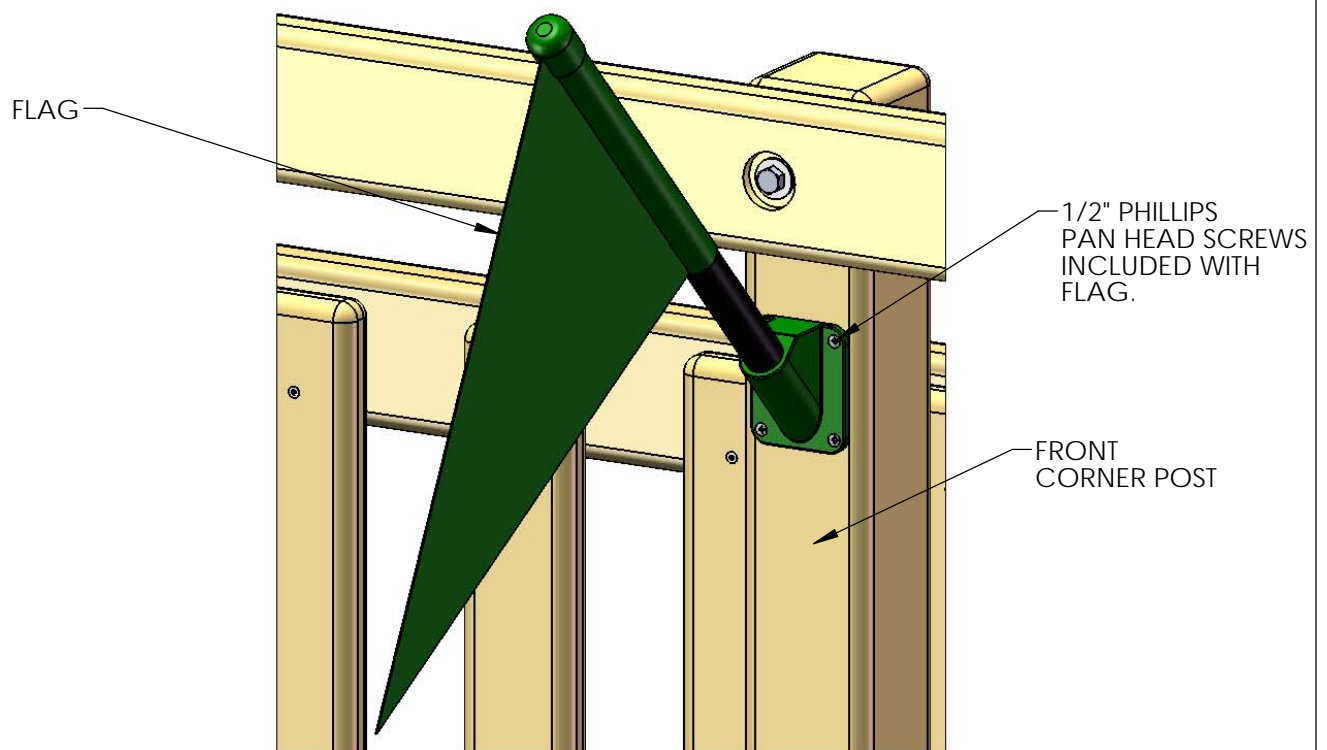
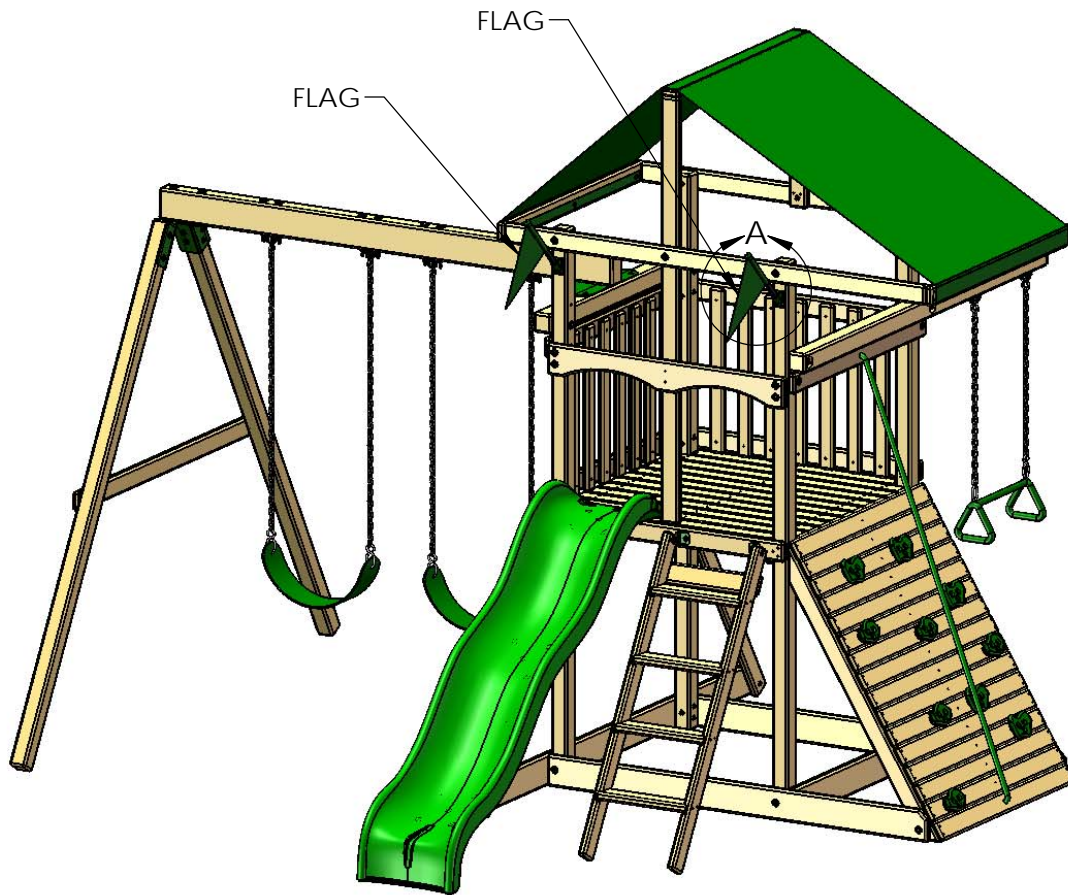
- 1: THREAD ONE END OF THE ROPE THROUGH THE HOLE ABOVE THE ROCK WALL. TIE A SECURE KNOT ON THE INSIDE OF THE TOP PANEL BOARD.
- 2: YOU MAY TIE UP TO THREE KNOTS IN THE ROPE TO AID YOUR CHILD WHEN CLIMBING
- 3: THREAD THE OTHER END OF THE ROPE THROUGH THE HOLE IN THE BOTTOM ROCK WALL BOARD. PULL THE ROPE TIGHT AND TIE A SECURE KNOT BEHIND THE BOTTOM ROCK WALL BOARD.
- 4: GRAB THE ROPE AND ATTEMPT TO WRAP IT AROUND YOUR HAND. IF THE ROPE WRAPS AROUND YOUR HAND IT IS TOO LOOSE. UNTIE THE ROPE AND RETIE THE ROPE UNTIL IT NO LONGER WRAPS AROUND YOUR HAND.



STEP 36: FLAG KITS

1: PLACE THE FLAGS ON THE FRONT OF THE CORNER POSTS AT THE FRONT SIDE OF THE PLAY SET.

2: ATTACH EACH FLAG WITH THE 1/2" LONG PHILLIPS PAN HEAD SCREWS INCLUDED WITH THE FLAG.

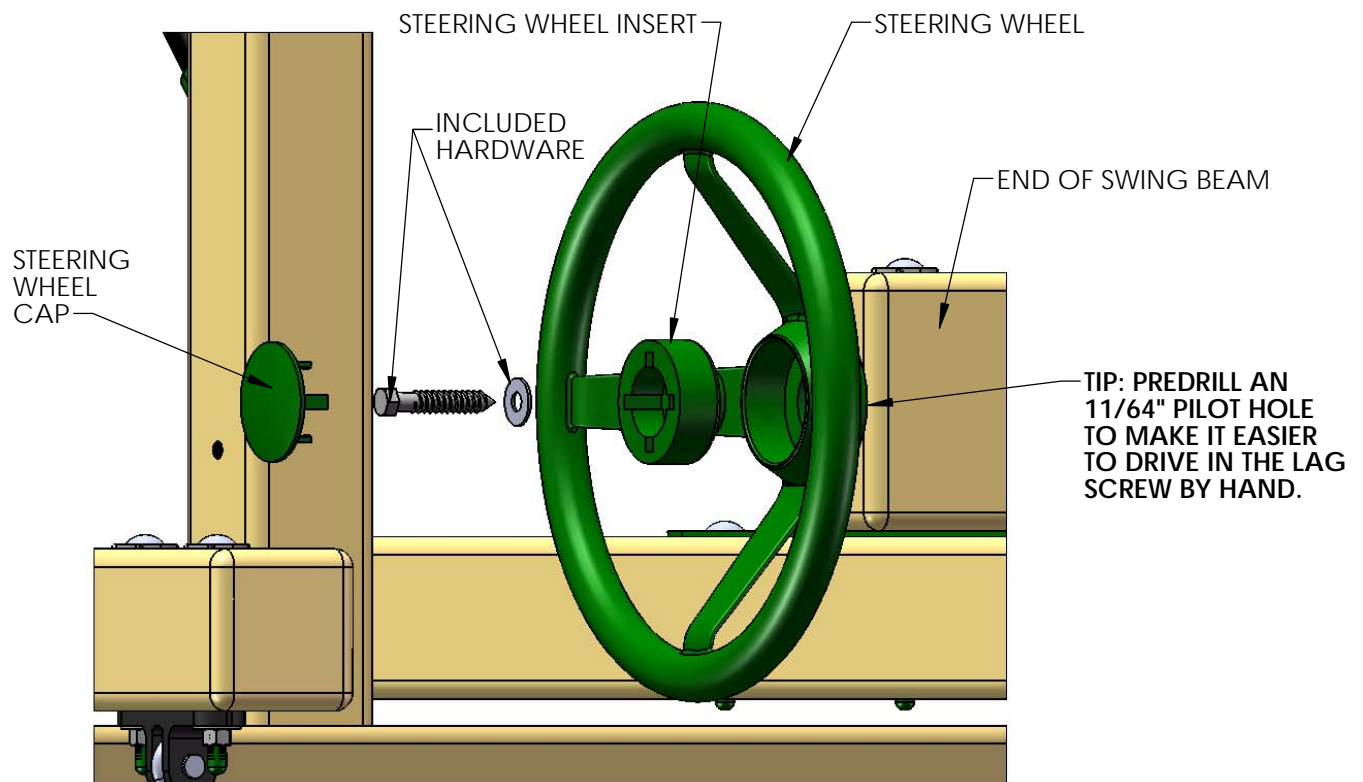


STEP 37: STEERING WHEEL

1: PLACE THE STEERING WHEEL INSERT INSIDE THE STEERING WHEEL. PLACE THE STEERING WHEEL AT THE CENTER OF THE END OF THE SWING BEAM. NOW MOVE IT ABOUT 1/4" OFF CENTER TO THE LEFT OR THE RIGHT. MARK THROUGH THE CENTER OF THE STEERING WHEEL INSERT AND THEN DRILL A 11/64" PILOT HOLE AT THE MARK 2" DEEP.

2: USE THE HARDWARE INCLUDED WITH THE STEERING WHEEL TO MOUNT THE STEERING WHEEL TO THE END OF THE SWING BEAM. DO NOT OVER-TIGHTEN THE LAG SCREW INTO THE STEERING WHEEL INSERT OR IT WILL NOT TURN.

3: SNAP THE STEERING WHEEL CAP ONTO THE CENTER OF THE STEERING WHEEL INSERT.

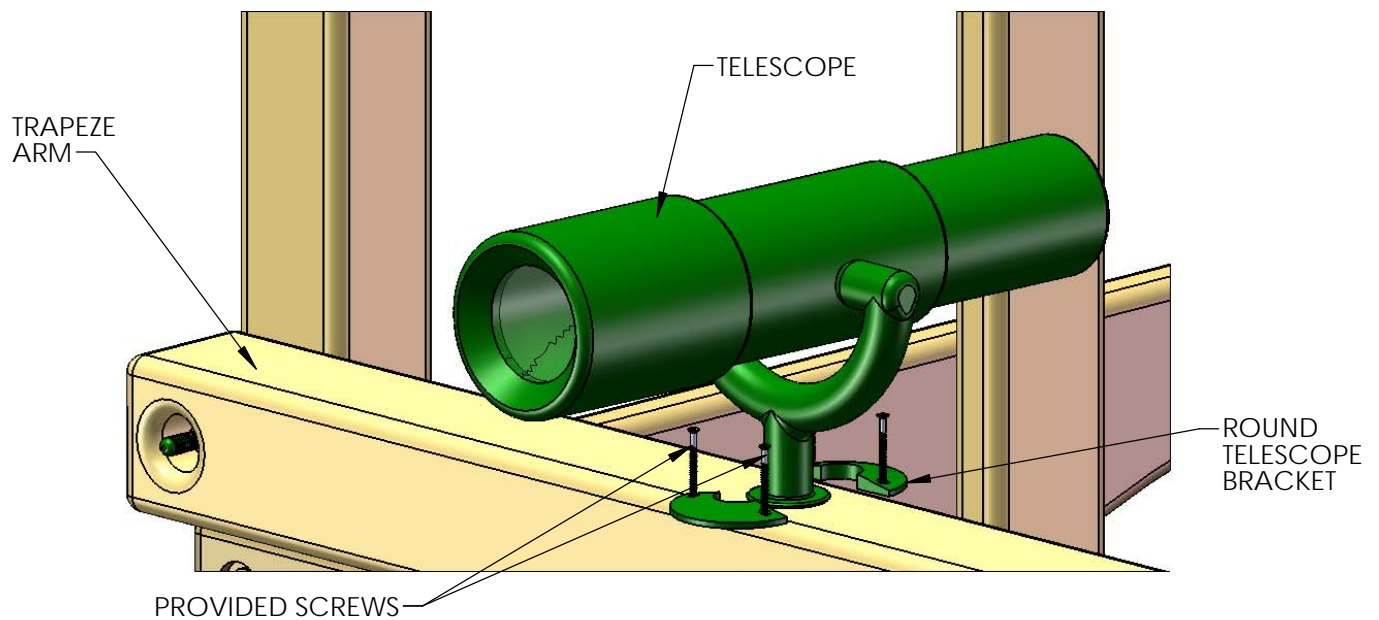


STEP 38: TELESCOPE

1: PLACE ONE OF THE ROUND TELESCOPE BRACKETS ON THE TRAPEZE ARM, CENTERED ABOVE THE ROCK WALL OPENING, AND FASTEN WITH THE HARDWARE PROVIDED.

2: PLACE THE TELESCOPE ASSEMBLY INSIDE THE OPENING OF THE BRACKET.

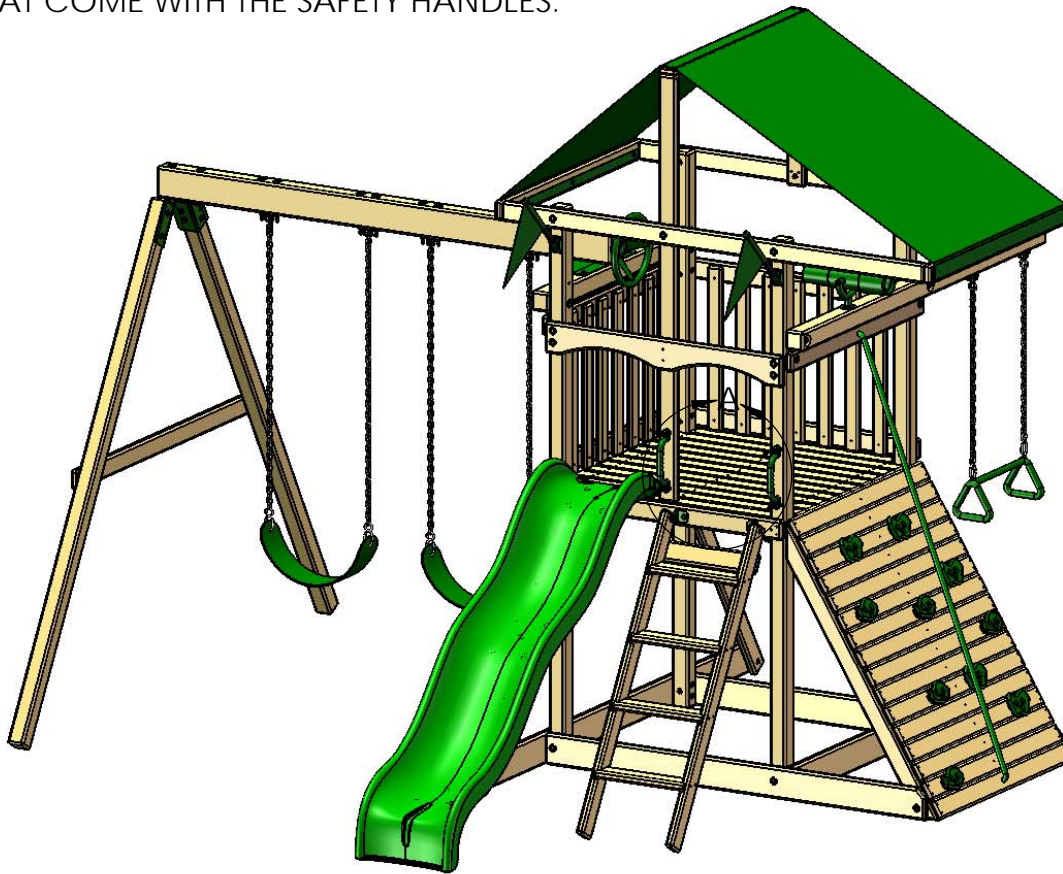
3: PLACE THE OTHER ROUND TELESCOPE BRACKET ON THE OPPOSITE SIDE OF THE ROUND TELESCOPE BRACKET INSTALLED IN SUBSTEP 1. ATTACH WITH THE PROVIDED SCREWS.



STEP 39: SAFETY HANDLES

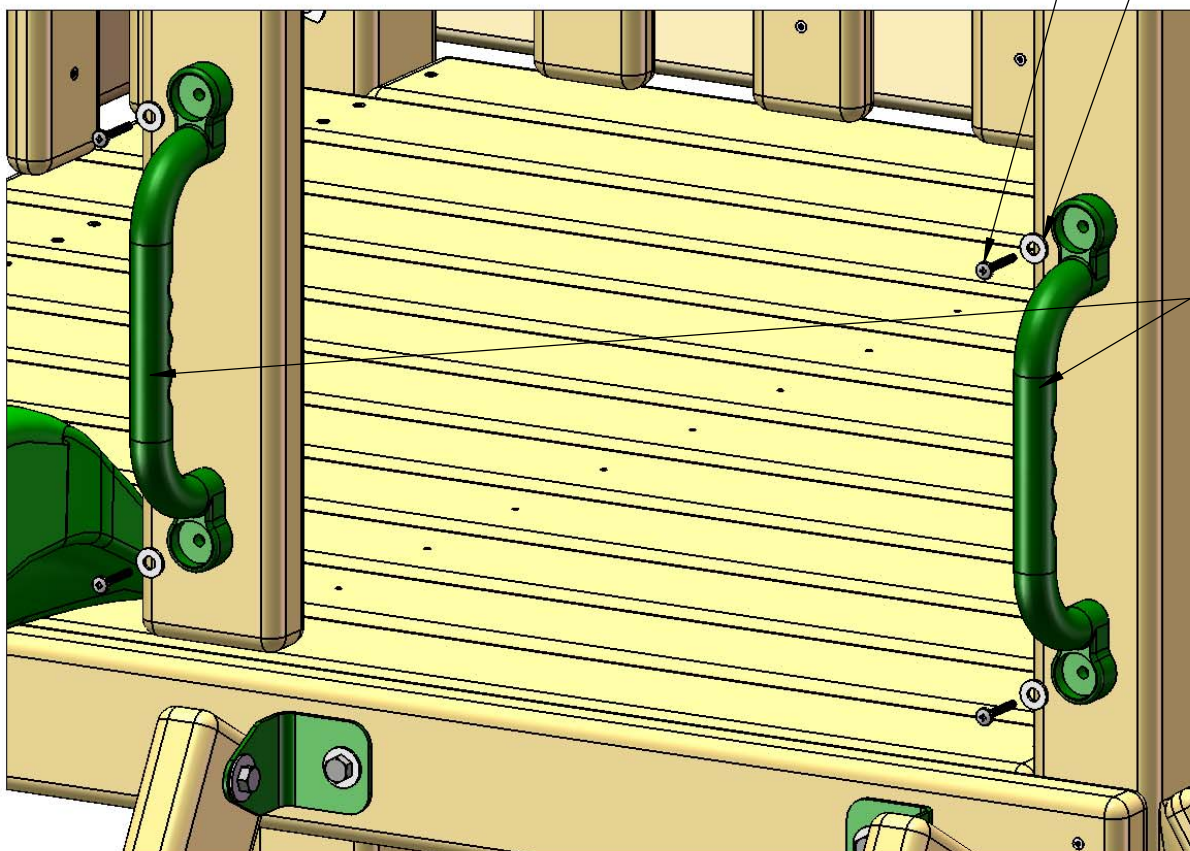
1: PLACE THE SAFETY HANDLES AT THE DESIRED HEIGHT ABOVE THE LADDER OPENING ON THE FRONT RIGHT CORNER POST AND THE FRONT CENTER POST.

2: ATTACH EACH SAFETY HANDLE WITH 1-1/4" PAN HEAD SCREWS AND 1/4" WASHERS THAT COME WITH THE SAFETY HANDLES.



1-1/4" PAN HEAD SCREW

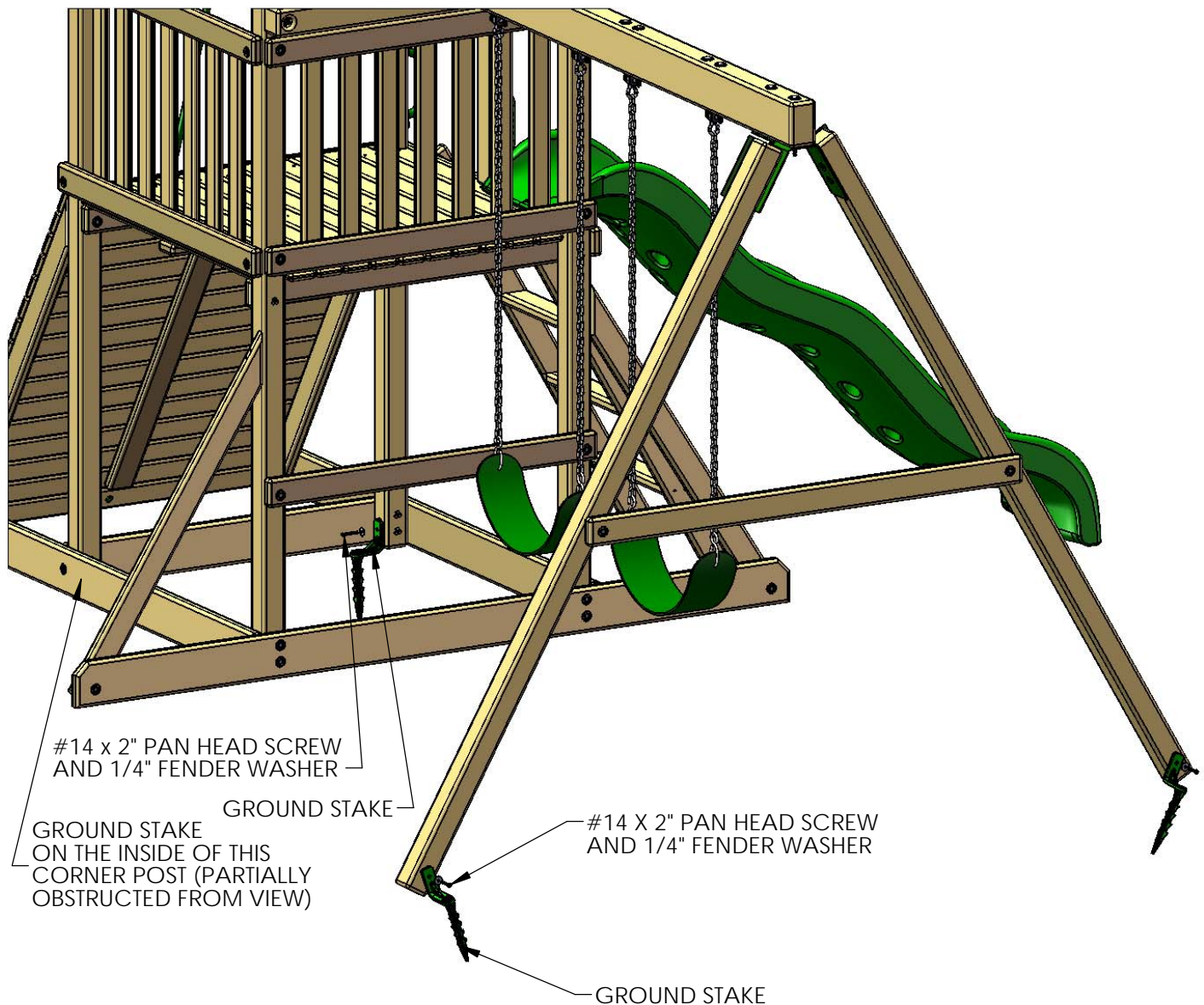
1/4" WASHER



SAFETY HANDLE

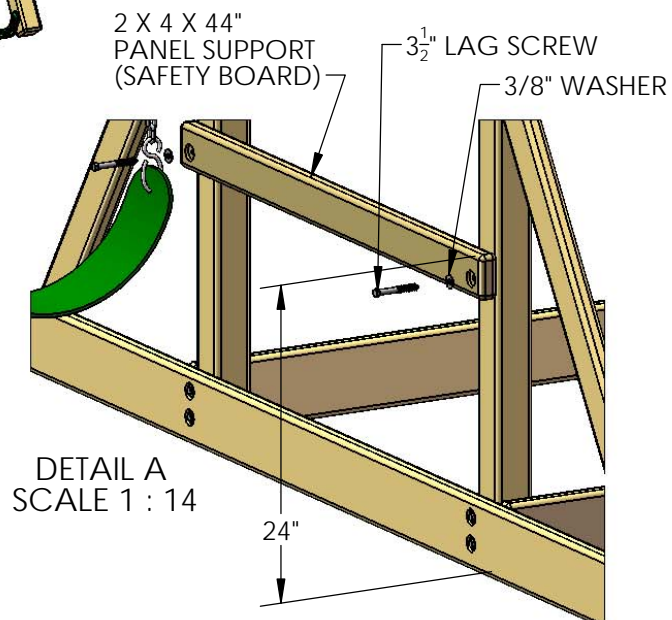
STEP 40: GROUND STAKES

- 1: HAMMER A GROUND STAKE INTO THE EARTH NEXT TO EACH SWING LEG AT AN ANGLE. DO NOT HOLD THE UPPER PORTION OF THE STAKE AFTER THE FIRST COUPLE OF HITS OR IT MAY VIBRATE HARSHLY AGAINST YOUR HAND. IF THE TOP PART OF THE STAKE TWISTS WHEN IT ENCOUNTERS A ROCK OR ROOT YOU MAY HAVE TO BEND THE TOP PORTION OF THE STAKE AGAINST THE SWING LEG. FINALLY INSTALL THE SCREW AND WASHER.
- 2: ATTACH EACH GROUND STAKE TO THE SWING LEG WITH A #14 X 2" PAN HEAD SCREW AND A 1/4" FENDER WASHER PROVIDED WITH THE GROUND STAKE.
- 3: ON THE CORNER POSTS ON THE ROCK WALL SIDE OF THE FORT, DRIVE THE GROUND STAKES INTO THE GROUND TO A DISTANCE THAT WILL NOT INTERFERE WITH THE T-NUTS OR HEX BOLTS THAT ARE INSTALLED IN THE SANDBOX BOARDS. THE GROUND STAKES WILL BE ON THE INSIDE OF THE SANDBOX ON THE CORNER POSTS.
- 4: ATTACH EACH GROUND STAKE TO THE CORNER POST WITH A #14 X 2" PAN HEAD SCREW AND A 1/4" FENDER WASHER PROVIDED WITH THE GROUND STAKE.



STEP 41: PANEL SUPPORT (SAFETY BOARD)

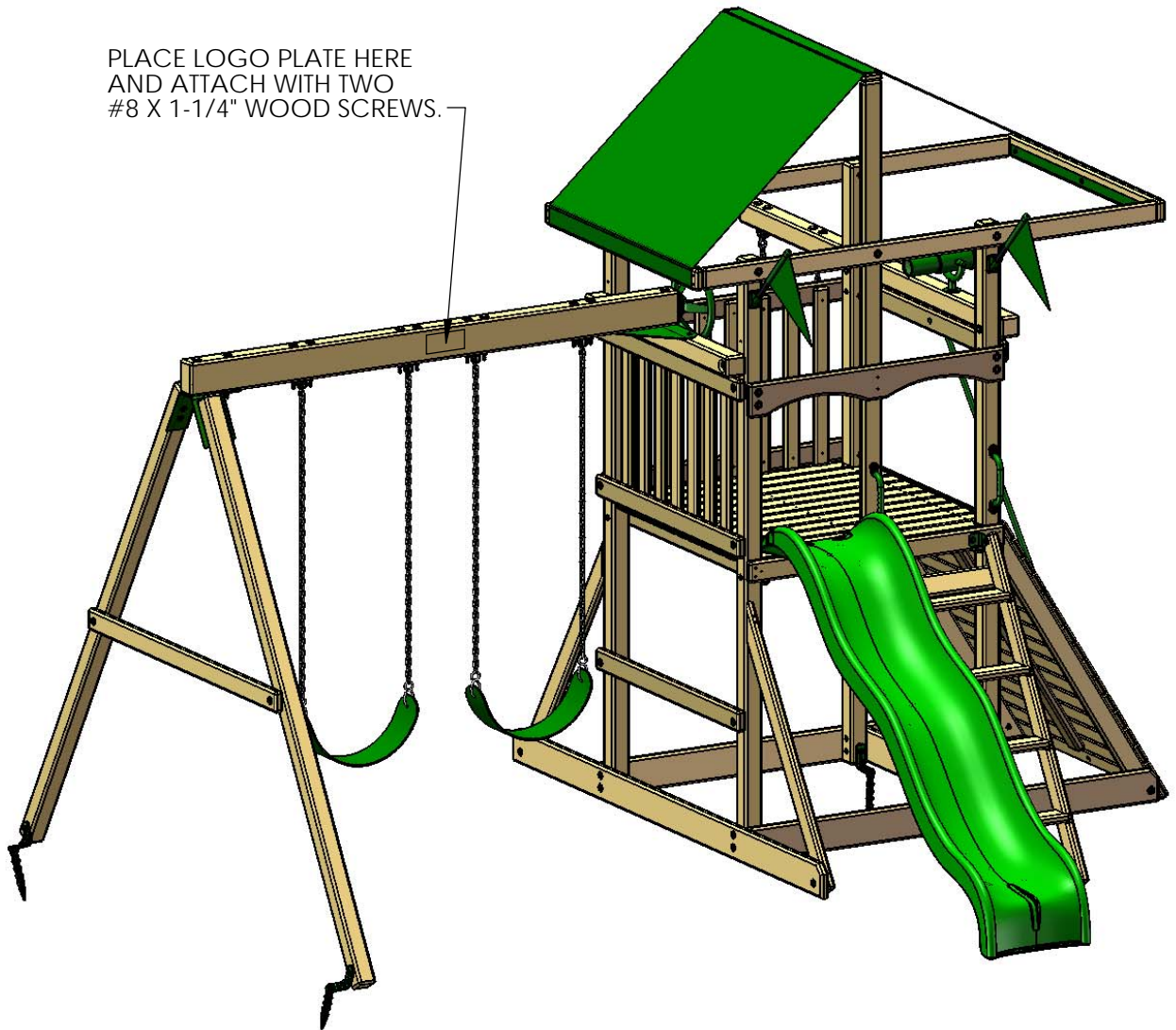
- 1: PLACE A 2 X 4 X 44" PANEL SUPPORT (SAFETY BOARD) AGAINST THE LEFT CORNER POSTS.
- 2: THE TOP OF THE BOARD SHOULD BE 24" ABOVE THE BOTTOM OF THE END SANDBOX BOARD. MARK LOCATIONS AT 24" ON EACH POST.
- 3: PLACE THE TOP OF THE BOARD EVEN WITH THE MARKS. NOW MARK THROUGH THE HOLES IN THE BOARD ONTO THE CORNER POSTS. DRILL 11/64" HOLES 2-1/2" DEEP AT THE HOLE MARKS.
- 4: NOW BOLT THE BOARD TO THE CORNER POSTS WITH 3-1/2" LAG SCREWS AND 3/8" WASHERS.



STEP 42: NAME PLATE

- 1: PLACE THE MANUFACTURER LOGO PLATE AT THE CENTER OF THE SWING BEAM.
- 2: FASTEN THE LOGO PLATE TO THE SWING BEAM WITH TWO #8 X 1-1/4" WOOD SCREWS.

PLACE LOGO PLATE HERE
AND ATTACH WITH TWO
#8 X 1-1/4" WOOD SCREWS.



STEP 43: WINDOW BOARDS

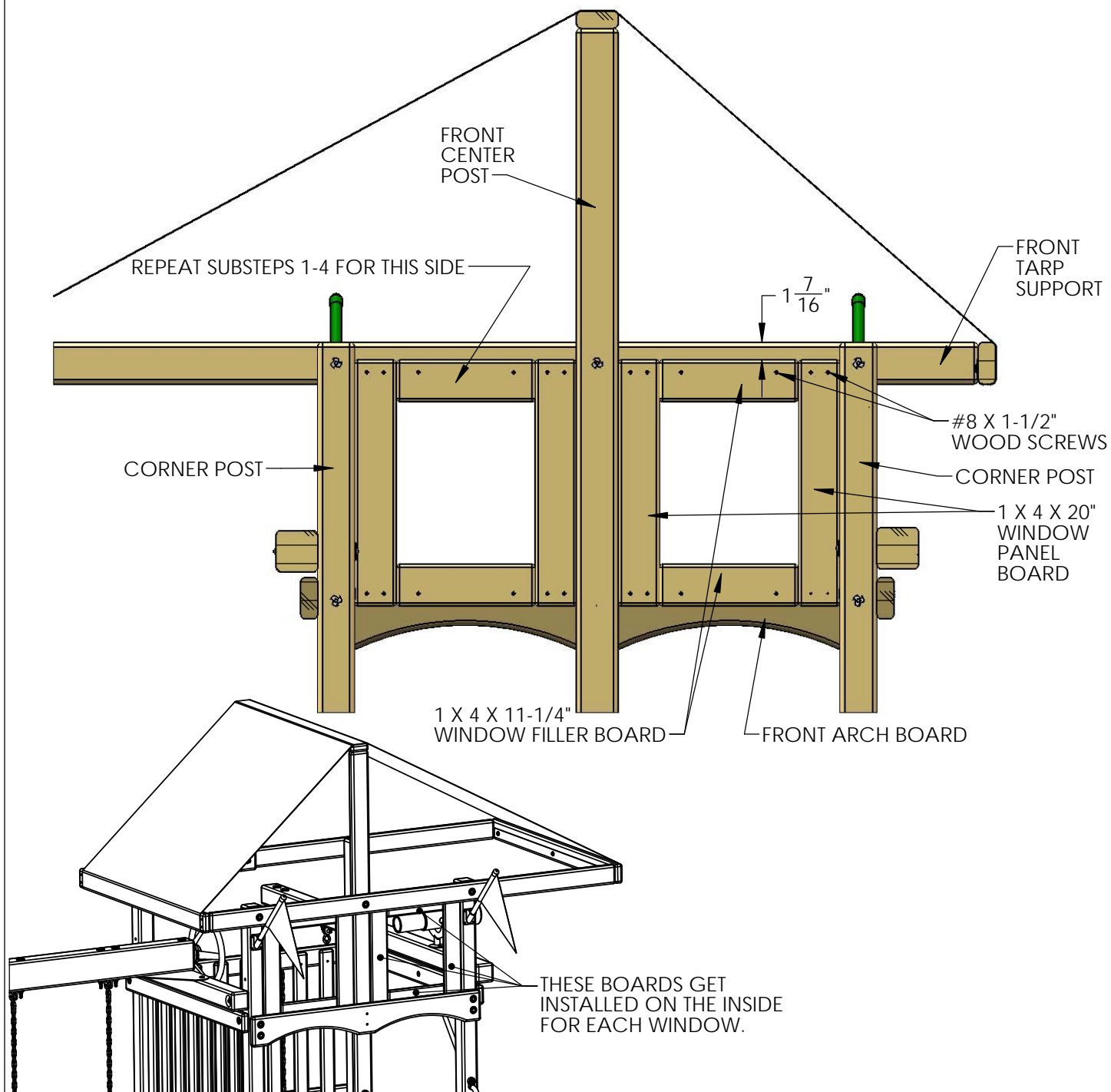
1: PLACE THE TOP OF THE 1 X 4 X 20" WINDOW PANEL BOARDS 1-7/16" DOWN FROM THE TOP OF THE FRONT TARP SUPPORT. EACH BOARD SHOULD BE FLUSH TO THE FRONT CENTER POST OR THE CORNER POST.

2: SECURE EACH WINDOW PANEL BOARD TO THE FRONT TARP SUPPORT AND THE FRONT ARCH BOARD WITH #8 X 1-1/2" WOOD SCREWS.

3: PLACE THE 1 X 4 X 11-1/4" WINDOW FILLER BOARDS BETWEEN THE WINDOW PANEL BOARDS. MAKE THE WINDOW FILLER BOARDS FLUSH TO THE TOP OR BOTTOM OF THE WINDOW PANEL BOARDS.

4: SECURE EACH WINDOW FILLER BOARD TO THE FRONT TARP SUPPORT OR FRONT ARCH BOARD WITH #8 X 1-1/2" WOOD SCREWS.

THIS IS A VIEW AS IF YOU WERE SITTING ON THE DECK WITH THE SLIDE IN FRONT OF YOU.



STEP 44: WINDOWS

1: CENTER EACH WINDOW OVER THE OPENING FROM SIDE TO SIDE. THE BOTTOM OF EACH WINDOW SHOULD BE ABOUT 5/16" FROM THE TOP OF THE FRONT ARCH BOARD.

2: FASTEN EACH WINDOW TO THE WINDOW BOARDS WITH #8 X 1-1/4" WOOD SCREWS.

