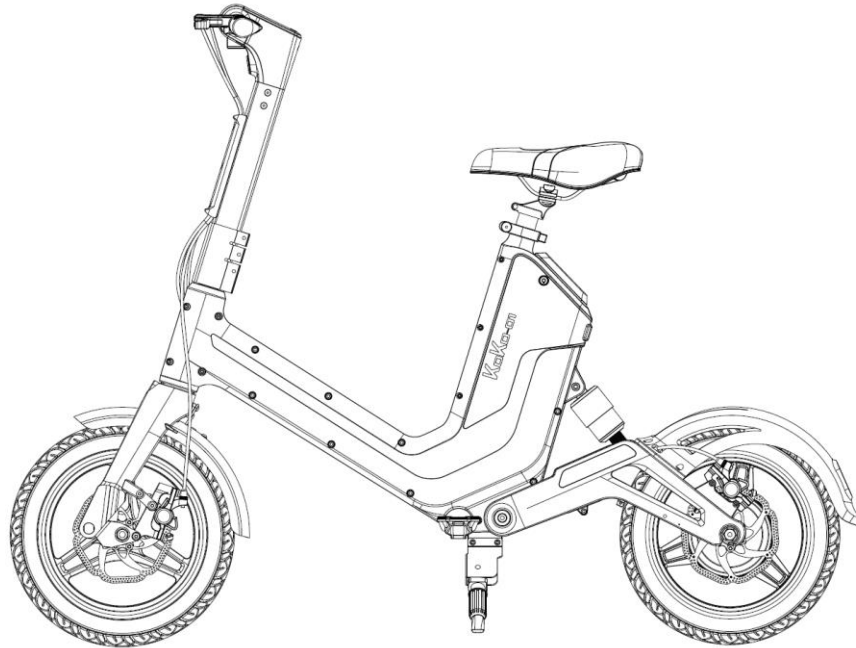


MATCHA-JOE001 Electric scooter

user 's manual



MATCHA-JOE001 Electric scooter

About this manual

Thank you for choosing DOUHAN MATCHA-JOE001 electric scooter, this manual is suitable for DOUHAN MATCHA-JOE001 (hereinafter referred to as MATCHA-JOE001)

electric scooter. Please read this manual completely and carefully before you use it for the first time, this manual can help you

- 1 Basic operation steps and driving method of MATCHA-JOE001
- 2 Familiar with safe driving rules and driving skills to obtain a safe and pleasant driving experience;
- 3 The composition and operation of MATCHA-JOE001, understand the conventional maintenance methods, and prolong the service life of the product;
- 4 Get advice on safer riding

contact us

Packing list: MATCHA-JOE001 main body, MATCHA-JOE001 head end, charger, user manual, certificate, tool kit each

In the process of using this product, if you need to consult about riding, maintenance, warranty, safety, etc., you can contact us at any time, and we will be very happy to serve you.

If you want to obtain the address of the repair center or have other questions, please call the customer service number for consultation.

HEADQUARTER address:

Service Hotline:

catalog

hapter 1 MATCHA-JOE001 brief

1.1 About MATCHA-JOE001

1.2 MATCHA-JOE001 Function indication

Chapter 2 MATCHA-JOE001 Assembly

2.1 Check the contents of the box

2.2 How to assemble the new scooter.....

2.3 How to take out the battery

2.4 Turn on / off

2.5 Charging.....

Chapter 3 Before riding.....

3.1 Preparation before riding.....

3.2 Function of the dashboard.....

Chapter 4 Safe Riding Regulations.....

4.1 obligatory

4.2 strictly prohibited

4.3 Civilized/Safe Riding Precautions

Chapter 5 Routine Care and Maintenance

5.1 cleaning and storage

5.2 Battery Pack Maintenance

5.3 regular routine

Chapter 6 other relative issues.....

6.1 MATCHA-JOE001 Model version parameter

6.2 Warranty Policy

Chapter 1 MATCHA-JOE001 brief

1.1 About MATCHA-JOE001

MATCHA-JOE001 electric scooter is a new type of personal intelligent transportation tool, which has zero cost of learning and can be used quickly. It is supplemented by the APP developed by our company, which can fully satisfy the user's intelligent riding experience.

MATCHA-JOE001的特点是： The features of MATCHA-JOE001 are:

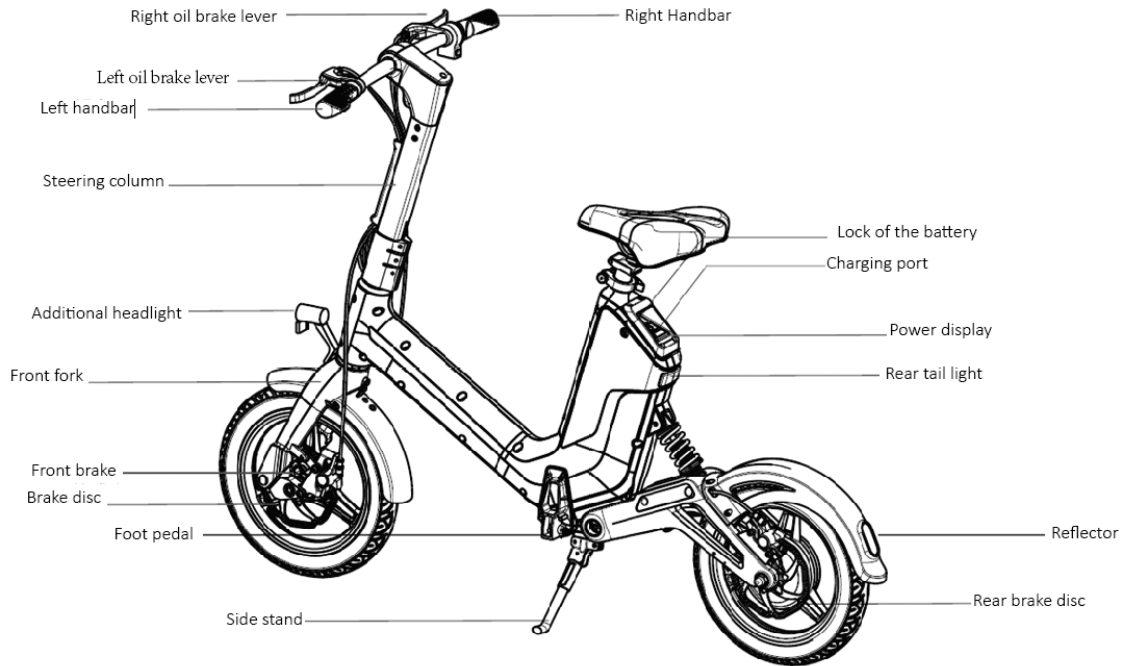
1. It can be installed quickly, the structure is stable, it is not easy to shake, and it is safer;
2. The battery is located at the rear and can be detached for charging;
3. The vehicle occupies less space and is easy to store.

MATCHA-JOE001 is quick to learn and has almost zero cost to learn. Different riding modes can meet different riding needs of users.

Because MATCHA-JOE001 is small in size and highly maneuverable, MATCHA-JOE001 can reach most of the roads that humans can reach on foot, including paths, sidewalks, corridors, indoors and elevators, etc., which makes it a bridge between cars and walking. A very good means of transportation between, where the walk is too far and the drive is too close, the MATCHA-JOE001 will take you there easily.

MATCHA-JOE001 Electric scooter

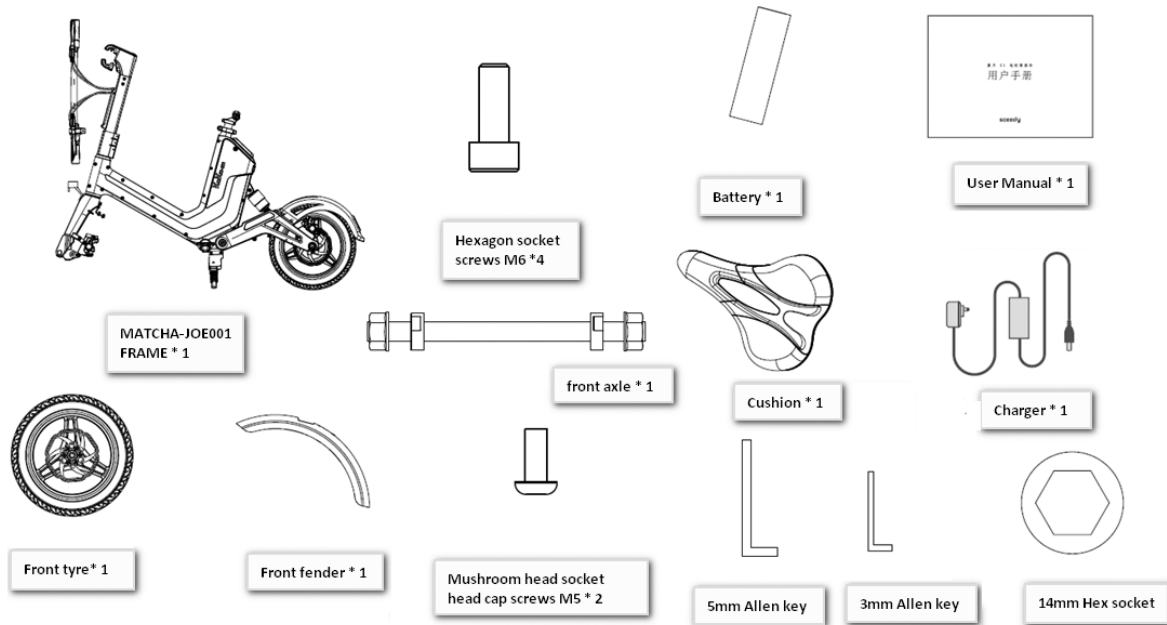
1.2 MATCHA-JOE001 Function indication



Chapter 2 MATCHA-JOE001 Assembly

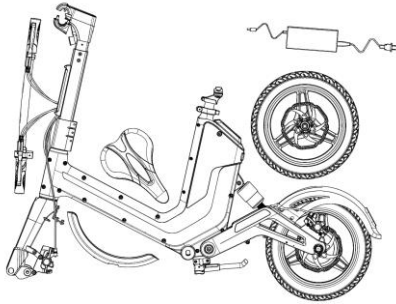
2.1 Check the contents of the box

After opening the box, carefully take out the MATCHA-JOE001 vehicle, and carefully check whether there are any missing items in the box according to the picture below. If there is any missing, please contact your dealer



MATCHA-JOE001 Electric scooter

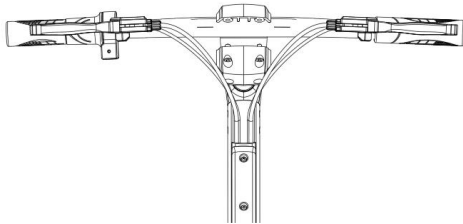
2.2 组装新车 Assemble the new scooter



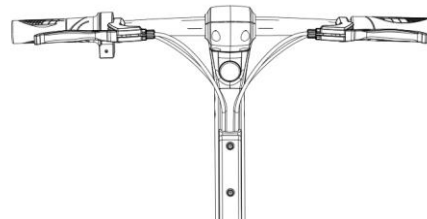
1. Open the packing box



2. Take out the components

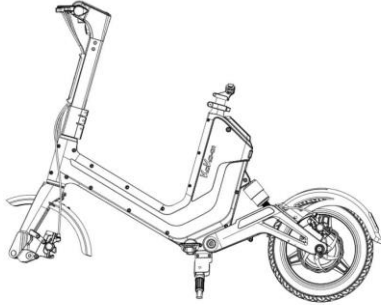


3. Insert the handlebar into the pole and fasten it with 4 Hexagon socket screws



4. After tightening, shake it by hand to check if there is any looseness

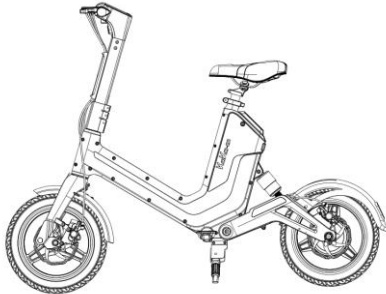
MATCHA-JOE001 Electric scooter



5. Install the front wheel fender and fix it with 2 hexagon socket head mushroom head machine screws



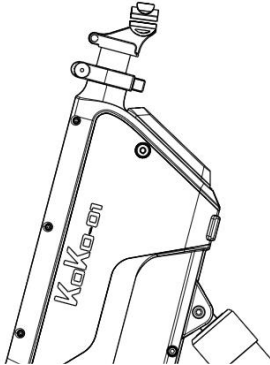
6. Install the front wheel, insert the front axle and tighten



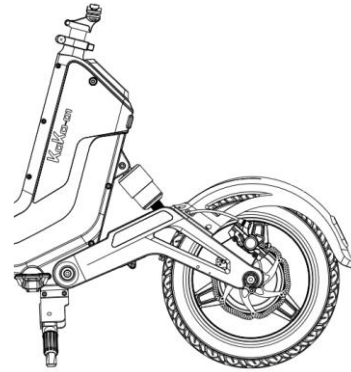
7. Install the cushion

MATCHA-JOE001 Electric scooter

2.3 Take out the battery

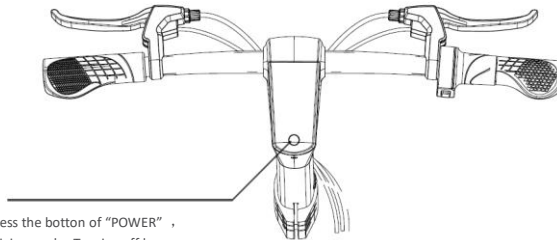


1. As attached image , unlock the battery by turning the key clockwise



2. Take out the battery box from the cabin

2.4 turn on/off



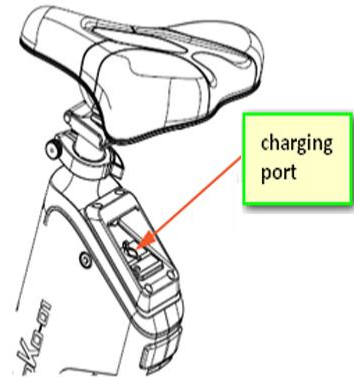
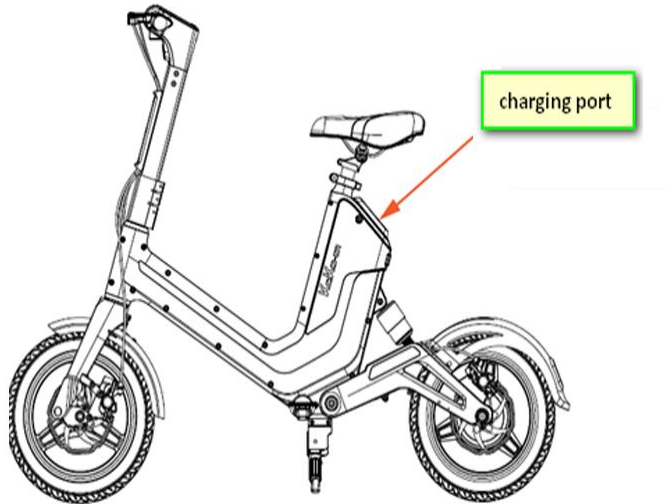
After turning on , press the botton of "POWER" ,
Start riding after swiping cards . Turning off by
press 5s "Power" botton ; short press "Power",
it will lock the scooter

MATCHA-JOE001 Electric scooter

2.5 Charging the battery

Before starting to use, MATCHA-JOE001 may have been transported and stored for a period of time, you need to fully charge MATCHA-JOE001 for the first time before riding. And when charging in the future, you need to follow the following safe charging principles:

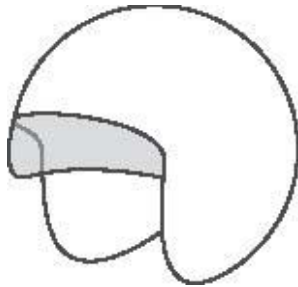
When charging, check and insert the battery first, and then add the commercial power; when it is sufficient, cut off the Civil power first, and then unplug the battery; please use the special original charger. In severe cases, it may lead to fire or explosion; charging should be carried out in a dry and ventilated environment, and should be strictly charged in a closed space or under the high temperature of the sun; if there is abnormal indicator light, peculiar smell or overheating of the charger shell during the charging process, it should be stopped immediately Charge, and repair or replace the charger; please cut off the power supply in time after charging is completed, and it is forbidden to connect the charger to the AC power supply with no load for a long time without charging.



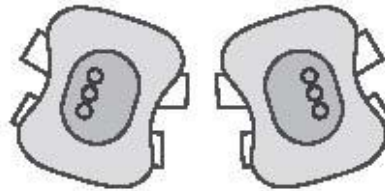
Chapter 3 Before riding

3.1 Preparation before riding

When beginners use MATCHA-JOE001 for the first time, they need to read this manual first, understand the functions of MATCHA-JOE001 clearly, practice riding in an open field, and then go on the road after getting used to it. To ensure your safety, it is recommended that you wear a helmet and safety gear and find a suitable venue indoors or outdoors. The site should be flat, not too slippery, smooth, free of obstructions, vehicles, bicycles, pets, children, or other distractions

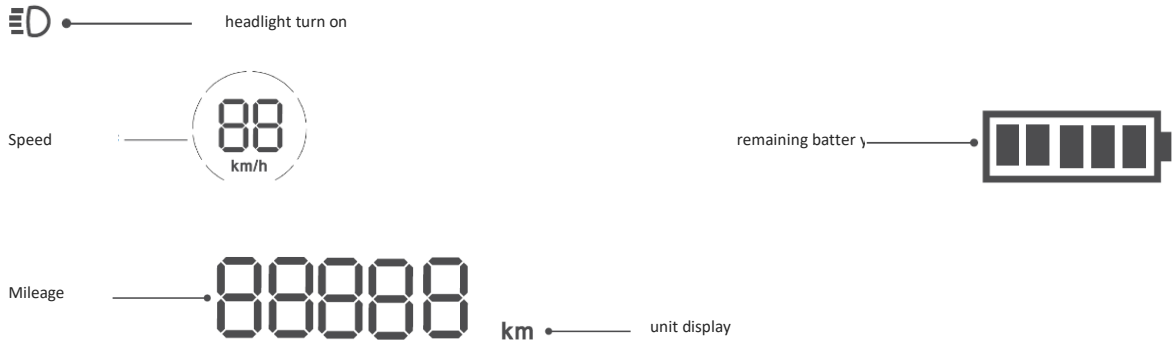


Helmet





knee brace


3.2 仪表盘功能简介 Introduction to Dashboard Functions




 Speed display: Display the current riding speed

 Power display: Display the current remaining power, each small cell represents 20% of the total power

 Headlight Icon: When the icon is on, it means the headlights are on. Double-click the button at the bottom of the dashboard to turn on the headlights, and double-click the button to turn off the headlights

 Gear display: When "KM/H" is displayed, it means the current unit of measure is km, if there is no "KM/H" displayed, it means the current unit of measure is miles

 Mileage display: Display the current mileage of the scooter

Chapter 4 Safe Riding Regulations



The content described in this chapter is very important, please read it carefully, understand and strictly abide by it. The company will not be held responsible for all financial and personal losses, accidents, legal disputes, and other events that cause conflicts of interest caused by the use of violations of safe driving regulations.

Any type of vehicle may have safety risks during your use, and so does MATCHA-JOE001. Riding strictly in accordance with the safe driving practices in this chapter will best protect your safety and the safety of others.

At the same time, you also need to understand: Riding on traffic roads or in public places, even if you fully follow the safe driving guidelines in this manual, you may face risks caused by illegal driving/improper operation of other people or vehicles. Therefore, it is very important to remain vigilant while driving and maintain a reasonable safe distance from other people and vehicles.

4.1 obligatory

- Understand and strictly abide by local traffic laws;
- It is recommended to wear a safety helmet and knee, elbow and wrist protectors, which are the most direct and effective protection for you;
- Check the charging status, if the battery is low, try not to drive for a long time, so as to avoid the lack of electricity during the ride and cause unnecessary trouble;
- Check the basic condition of MATCHA-JOE001 to ensure that all exposed parts are not loose, dropped or damaged, and there is no abnormal noise or continuous alarm when riding;
- Before riding, make sure you are in good shape, clear-headed, and have not consumed alcohol, sedatives, or other psychotropic drugs within 6 hours.

MATCHA-JOE001 Electric scooter

4.2 strictly prohibited

- It is prohibited to ride in areas that are prohibited by the laws of the country/region and the relevant management units
- Avoid using it in situations that are risky or do not meet the product usage requirements, such as deep pits/cracks, steep slopes greater than 15 degrees, standing water more than 6cm deep, etc.;
- It is forbidden to ride the MATCHA-JOE001 up and down the steps, and it is forbidden to let the MATCHA-JOE001 vacate under any circumstances (such as crossing a hurdle at high speed). Do not do dangerous actions such as jumping, flipping, spinning;
- It is forbidden to ride on the shoulder or steps;
- It is forbidden to drive into motor vehicle lanes, and non-motor vehicle lanes in some countries and regions also do not allow such vehicles to enter, subject to local regulations;
- It is forbidden to ride with people, especially not to carry or carry infants and young children
- Children under the age of 12 and the elderly over 65 are prohibited from riding alone, and they must be accompanied by their family members before riding;
- Pregnant women, people who drink alcohol, mentally ill, heart patients, people with limited mobility (such as those with significantly limited mobility) are prohibited from riding;
- Avoid using MATCHA-JOE 001 in unsafe environments, such as places where flammable gases, vapors, liquids, dust or fibers may cause dangerous events such as fire or explosion;
- Avoid distracting behaviors such as making calls, playing with your phone, etc. while riding
- Avoid riding in bad weather and road conditions such as heavy rain, snow, icy roads, standing water, and slippery dirt roads
- It is prohibited to violate other provisions of this manual, especially the prohibited contents clearly indicated in the "Warning" item and "Caution" item.

MATCHA-JOE001 Electric scooter

4.3 Civilized/Safe Riding Precautions

- When using MATCHA-JOE001, please take the initiative to understand and abide by local traffic laws, ride in a civilized manner, and pay attention to surrounding people and objects to avoid collisions;
- Ride in controlled conditions at a speed that is safe for yourself and others around you. Keep a safe distance from pedestrians and vehicles and be prepared to stop at any time;
- Develop good riding habits and avoid rapid acceleration start and rapid deceleration braking;
- Respect pedestrians' right of way and avoid scaring pedestrians, especially children. When passing behind pedestrians, ring the bell to remind pedestrians and slow down when passing. Pass on the left as far as possible, keep to the right and reduce speed when facing pedestrians;
- When there are many pedestrians, be sure to reduce the speed to pass. It is very dangerous to travel at high speed in the crowd, and you can only pass the pedestrians ahead when there is enough space to pass safely;
- When traveling with other people using MATCHA-JOE001, keep an appropriate safety distance, avoid dangers and obstacles, and do not ride side by side unless there is enough space for passage;
- Do not park the MATCHA-JOE001 where it will obstruct the passage of pedestrians;
- Do not ride in poor lighting. If necessary, reduce speed, be vigilant, and preferably turn on your driving lights to ensure good vision;
- When riding, keep your body relaxed, shoulders flat and focus;
- Do not ride without the handlebars or with one hand;
- Before riding, please check whether the brake line is functioning, and check and adjust the brake line regularly.



Do not make a sudden sharp turn when driving at high speed, it is easy to lose balance and cause the rider to fall or be injured! This riding habit is very dangerous, and most of the accidental falls and loss of balance are caused by this driving habit.

Chapter 5 Routine Care and Maintenance

5.1 cleaning and storage

- Please clean your MATCHA-JOE001 in time after use to maintain the best performance;
- You can wipe the car body with a soft cloth dipped in a small amount of water, preferably a soft cloth;
- You can use a household shower nozzle or a gardening nozzle (water pressure below 1Mpa, or 145PSI) to rinse the tires. After the rinse is completed, the dripping water should be controlled as soon as possible and placed in a ventilated place to dry to avoid corrosion of some steel parts;
- Be sure to avoid directly rinsing the charging port with water or letting water flow into the charging port, otherwise it may cause serious failure or damage;
- If there are hard-to-clean stains on the car body, you can apply toothpaste, brush repeatedly with a toothbrush, and then clean with a damp cloth;
- When not in use, try to store MATCHA-JOE001 in a dry and cool place indoors, and try to avoid placing it outdoors for a long time. Sun exposure and very hot/cold outdoor environments will accelerate the appearance of aging.



When cleaning, make sure the MATCHA-JOE001 is turned off and fasten the rubber cover of the charging port! Otherwise, electric shock or serious malfunction may occur. It is strictly forbidden to wash the MATCHA-JOE001 directly with the high-pressure water gun used to clean the car or soak the car body with water, which may cause the accumulation of water vapor or water in the car body, resulting in serious irreparable failures. Do not use alcohol, gasoline, kerosene, acetone or other corrosive and volatile chemical solvents to clean the car body, these substances will damage the appearance and internal structure of MATCHA-JOE001

MATCHA-JOE001 Electric scooter

5.2 Battery Pack Maintenance

The battery pack is the most maintenance-requiring component on the MATCHA-JOE001 product. A well-maintained battery pack may perform well after 20,000 to 30,000 kilometers of use; a poorly maintained battery pack may run out of capacity or be damaged after a few months. To maximize the life of your battery pack, follow these tips

for regular inspection and maintenance:

- Carefully read the precautions on the surface label of the battery pack and follow them;
- Storage temperature of the battery pack: when it is less than 1 month, the storage temperature is -20 to 45 °C; when it is less than 3 months, the storage temperature is -10 to 30 °C; when it is less than 1 year, the storage temperature is 0 to 30 °C. Please avoid using or storing the battery in an environment below -20 °C or above 50 °C;
- Try to store the battery pack in a dry, cool environment. In an extremely humid environment, condensation or even water may accumulate inside the battery pack, which may cause rapid damage to the battery pack. If humidity is unavoidable, use a large ziplock bag to seal the battery pack and store it;
- In daily use, try to avoid fully draining and recharging the battery. If the instrument panel shows that the battery is only 1-2 bars left, please charge it as soon as possible. Try to fully charge the battery after each use of the MATCHA-JOE001. Frequent charging will not harm battery life, and long-term battery near depletion will seriously affect battery capacity and life;
- When not in use for a long time (more than 180 days), please recharge the battery every 3 to 4 months and continue to store it to maintain battery capacity and life;



The battery needs to be charged in time to avoid recharging when the power is exhausted, otherwise it will be damaged due to excessive discharge (it is an out-of-warranty maintenance). Do not disassemble or replace parts inside the charger without permission. The charger should not be carried with the car as much as possible. If necessary, it should be placed in the toolbox after shock absorption.

MATCHA-JOE001 Electric scooter

5.3 regular routine

In addition to the battery pack, other parts of the MATCHA-JOE001 also need regular inspection and maintenance, which helps to ensure that the MATCHA-JOE001 is in the best riding condition, and can also eliminate some possible safety hazards in time. Except for tightening screws, replacing tires and fenders as required, there are no user-repairable parts on MATCHA-JOE001, please do not disassemble by yourself. For any damage, failure and property/personal damage caused by unauthorized disassembly, this The company will not take any responsibility.

project	Purpose
brake lever	Check braking performance to prevent traffic accidents caused by brake failure on the road
Turn the handle	Check the handlebars for inflexibility or occasional malfunctions
tire casing	Check tire pressure and wear level to prevent tire blowout or excessive power consumption during driving
hub	Check the strength of the hub, decontaminate the bearing to prevent the hub from cracking and jamming
wire, connecting wire	Check for loose connections or damaged insulation to prevent line failures
screw	Check whether the screws of the key parts of the car body are firm to prevent them from loosening and falling off.
Battery	Check the battery compartment for obvious deformation, prevent line failure, ensure safety and prolong service life
charger	Check whether the charger cable is broken, disconnected, disconnected, etc., and check whether the input and output plugs are in good condition
bearing	Check whether the axle and other parts need to add lubricant
body surface	Carry out dust removal and cleaning work on the surface of the car body to ensure a good appearance

MATCHA-JOE001 Electric scooter

第六章 MATCHA-JOE001型号版本参数表Model version parameter

产品型号	MATCHA-JOE001
Size (mm): (车辆尺寸)	1400×600×1100(mm)
Seater Height (mm): (坐垫高度)	750 ~ 950(mm)
Wheelbase (mm): (轴距)	990 (mm)
Frame (车架材质)	AM60B
Brake (Front/Rear) (前后刹)	Disc brake
Suspension type/Front (前减类型)	Natural rubber buffer
Suspension type/Rear (后减类型)	Hydraulic single shock absorber
Tires (Front/Rear) (前后轮胎)	2.15×14
Battery Type (电池类型)	Lithium ternary lithium battery
Battery capacity (电池容量)	48V10AH
Battery life (电池循环寿命)	After 500, more than 65%
Motor type(电机类型)	Rear Hub motor
Motor power (电机功率KW)	350W
Motor Torque (电机扭矩)	More than 25N.M
Charger typer (充电器类型)	intelligent
Charging time (充电时间)	8h
Veicle type (车辆助力系统)	100% electric pure electric
Max Speed km/h (最快时速)	25km/h
Range KM (续航里程)	25km
Climd degree (爬坡度数)	12°
Speedometer (仪表类型)	LED meter
Weight (车重)	23Kg
Battery Weight (电池重量)	2.8Kg
Load weight (载重)	75Kg
Loading 40HQ (40尺高柜装箱量)	234 boxes

您可以根据自身需求选择合适的版本，并且未来ES会推出各种可选装的升级配件和彩色风格套件，具体详情可咨询您的购买处经销商。You can choose a suitable version according to your own needs, and ES will launch various optional upgrade accessories and color style kits in the future. For details, please consult your dealer.