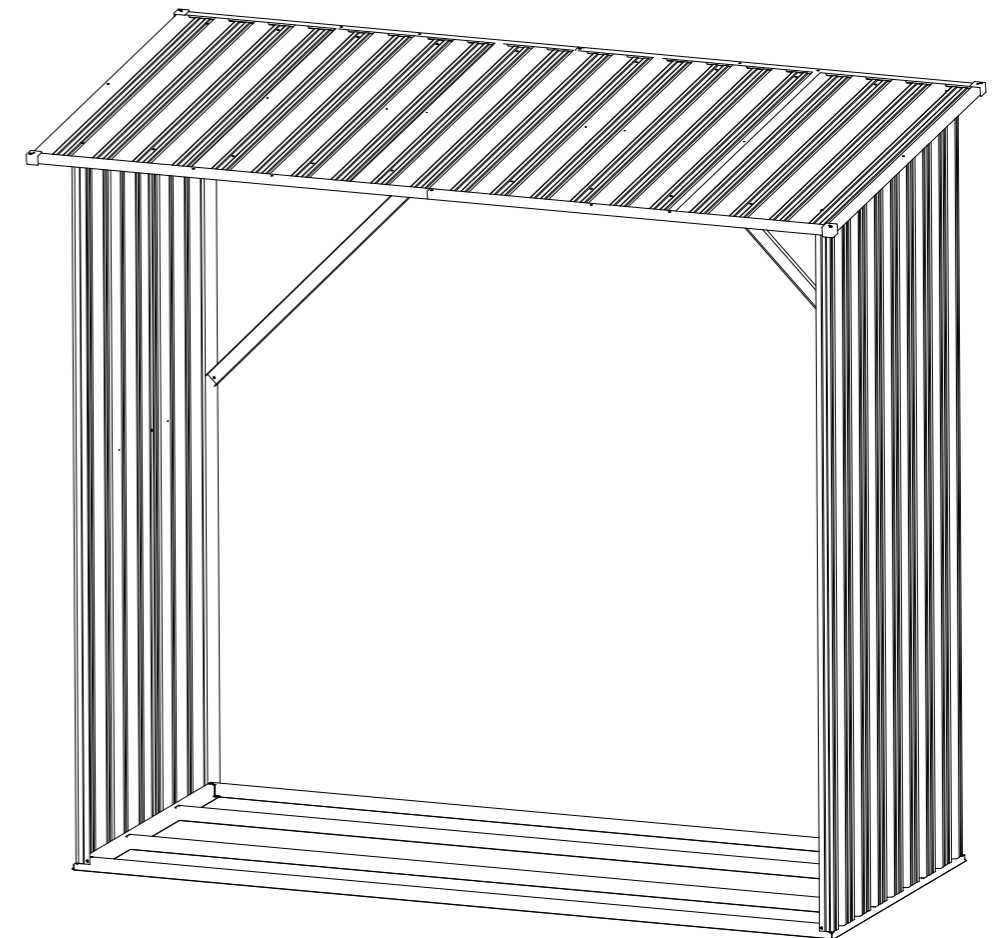


Metal Wood Storage

OWNER'S MANUAL /
Instructions for Assembly

Overall Size/CM: W217 x D89x H154
Overall Size/Inch: L85.4 x W33 x H60



9820004-LG-GRY

Requires two people and takes at least 1 hours for Installation.

Quick & Easy Assembly

Ridge Reinforced Walls



IMPORTANT

If you have any problems with this product, please

DO NOT RETURN THIS ITEM

To the Retailer/Store from where you purchased the product.

Please email us anytime with the nature of the problem at:

ContactUs@Hanover-Products.com

Please include:

- Pictures of the issue(s) and receipt (if available)
- Name and address of the Purchaser
- Name of retailer

Or call our Customer Service team between 9:00 AM and 5:00 PM Eastern Time,
Monday through Friday at:

1-877-397-5144

or visit our website at:

www.Hanover-Products.com

To expedite any future warranty claims, please retain your receipt for future use.

For additional on-line support on assembly, troubleshooting and care & maintenance of your outdoor product, please visit our website at: **www.Hanover-Products.com**.

8/1/2019

Outdoor Products

1-Year Limited Warranty Program

For a period of one (1) year after purchase, Hanover ("Manufacturer") will either repair or replace defective components in accordance with this Limited Warranty. This warranty is between Manufacturer and the original purchaser and is valid only when accompanied by the original purchaser's sales receipt showing original date of purchase and location of purchase. Replacements under this warranty revert back to the date of original purchase for future warranty.

Manufacturer or its authorized dealer can accept or reject warranty claims based on its findings. This warranty applies in normal residential use only and is not intended for commercial use. Manufacturer can make substitutions as required of materials, components, and sub-components of comparable value and utility. This warranty is limited to product repair or replacement (to be determined solely by Manufacturer). Warranty return is limited to only the single affected component.

This warranty covers only manufacturing defects and does not cover normal wear and tear, damage due to acts of nature, abuse or misuse, including chemical damage from suntan oil or other chemicals, exposure to extreme heat or cold, abrasion or excessive weight. This product is intended to be used in standard installations only. This warranty is invalid if the product is not used for intended purpose. Manufacturer disclaims liability for any aspect of installation and any inconvenience caused by a defective part of a component.

Certain items are not covered by this warranty. These include, but are not limited to the following:

1. Items subjected to abuse, including abuse intended to simulate failure.
2. Any part which merely exhibits normal wear yet functions essentially as new, including tears/rips, chips, scratches or stretching of materials and stitching.
3. Tears, rips, punctures, scratches or any damage caused by improper installation or use.
4. Fading and/or discoloration of materials resulting from exposure to the elements, chemicals, oils, fluids or any other cause are not covered.

To make a claim, contact us by the email address or the toll-free number below. Please have available a copy of the original sales receipt along with a brief description of the problem. Please also provide your email address and daytime telephone or cell phone #. All items may be charged actual freight costs plus \$15 for handling. Repairs or replacement will be made at the Manufacturer's option. ***Sales and use taxes, plus shipping and handling charges are the responsibility of the consumer.***

THIS IS THE ENTIRE EXCLUSIVE EXPRESS LIMITED LIABILITY. THE MANUFACTURER NEITHER MAKES NOR IS RESPONSIBLE FOR ANY OTHER WARRANTIES, EITHER EXPRESS OR IMPLIED, INCLUDING THOSE OF RETAILING DEALERS. THIS EXCLUSIVE REMEDY IS LIMITED TO RECEIPT OF A CREDIT IN CONNECTION WITH THE REPAIR OR REPLACEMENT OF ANY PRODUCT OR COMPONENT DEEMED TO BE DEFECTIVE UNDER THE TERMS AND CONDITIONS AS STATED IN THIS WARRANTY. NEITHER HANOVER, THE PRODUCT MANUFACTURER NOR ITS AGENTS SHALL BE LIABLE IN ANY CASE FOR INCIDENTAL, INDIRECT, SPECIAL OR CONSEQUENTIAL DAMAGES RESULTING FROM THE USE OF THIS PRODUCT OR ARISING OUT OF ANY BREACH OF THIS WARRANTY OR NEGLIGENCE EVEN IF IT HAS BEEN ADVISED OF THE POSSIBILITY OF SUCH DAMAGES. EXCEPT AS OTHERWISE MAY BE REQUIRED BY LAW, THERE ARE NO OTHER EXPRESS OR IMPLIED WARRANTIES OTHER THAN THE WARRANTY DESCRIBED HEREIN, AND ALL OTHER WARRANTIES, INCLUDING ANY IMPLIED WARRANTY OF MERCHANTABILITY OR FITNESS FOR A PARTICULAR PURPOSE ARE EXPRESSLY DISCLAIMED.

Contact Warranty Services at **1-877-397-5144**

Or email us at:

ContactUs.Hanover-Products.com

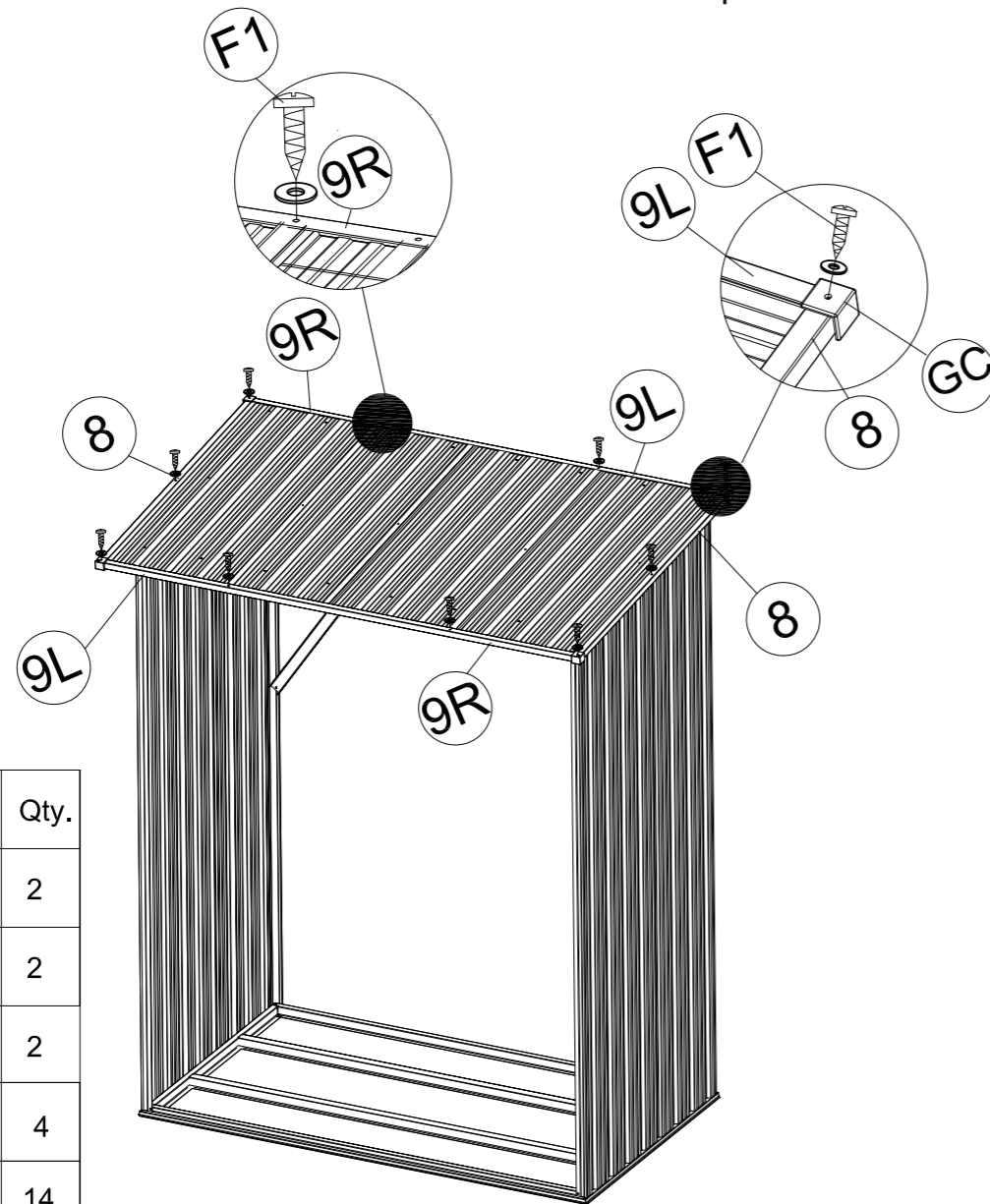
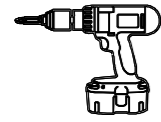
or

www.Hanover-Products.com

8/1/2019

STEP 5

Eaves Installation Plastic corner caps Installation



| PART | NO. | Qty. |
|------|-----|------|
| | 8 | 2 |
| | 9L | 2 |
| | 9R | 2 |
| | GC | 4 |
| | F1 | 14 |

BEFORE YOU START

Owner's Manual

Prior to installation, it is important that you contact your local government authority to determine if building approval is required. Study and understand this owner's manual. Important information and helpful tips will make your construction easier and more enjoyable.

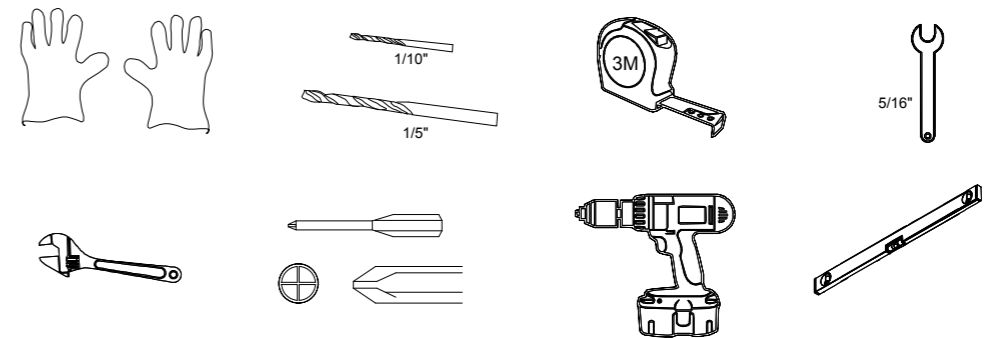
Assembly instructions

Instructions are supplied in this manual and contain all appropriate information for your building model. Review all instructions before you begin. During assembly, follow the step sequence carefully for correct results.

Parts

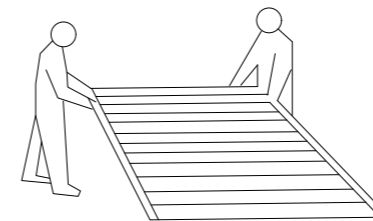
Check to be sure that you have all the necessary parts for the building. Separate contents of the carton by the part number while reviewing parts list. Familiarize yourself with the hardware and fasteners for easier use during construction. These are packaged within the carton.

TOOLS MAY REQUIRED



Use heavy duty gloves when handling steel sheets and flashing

PLAN AHEAD



Watch the weather:

Please be sure the day you select for installation is dry and calm.

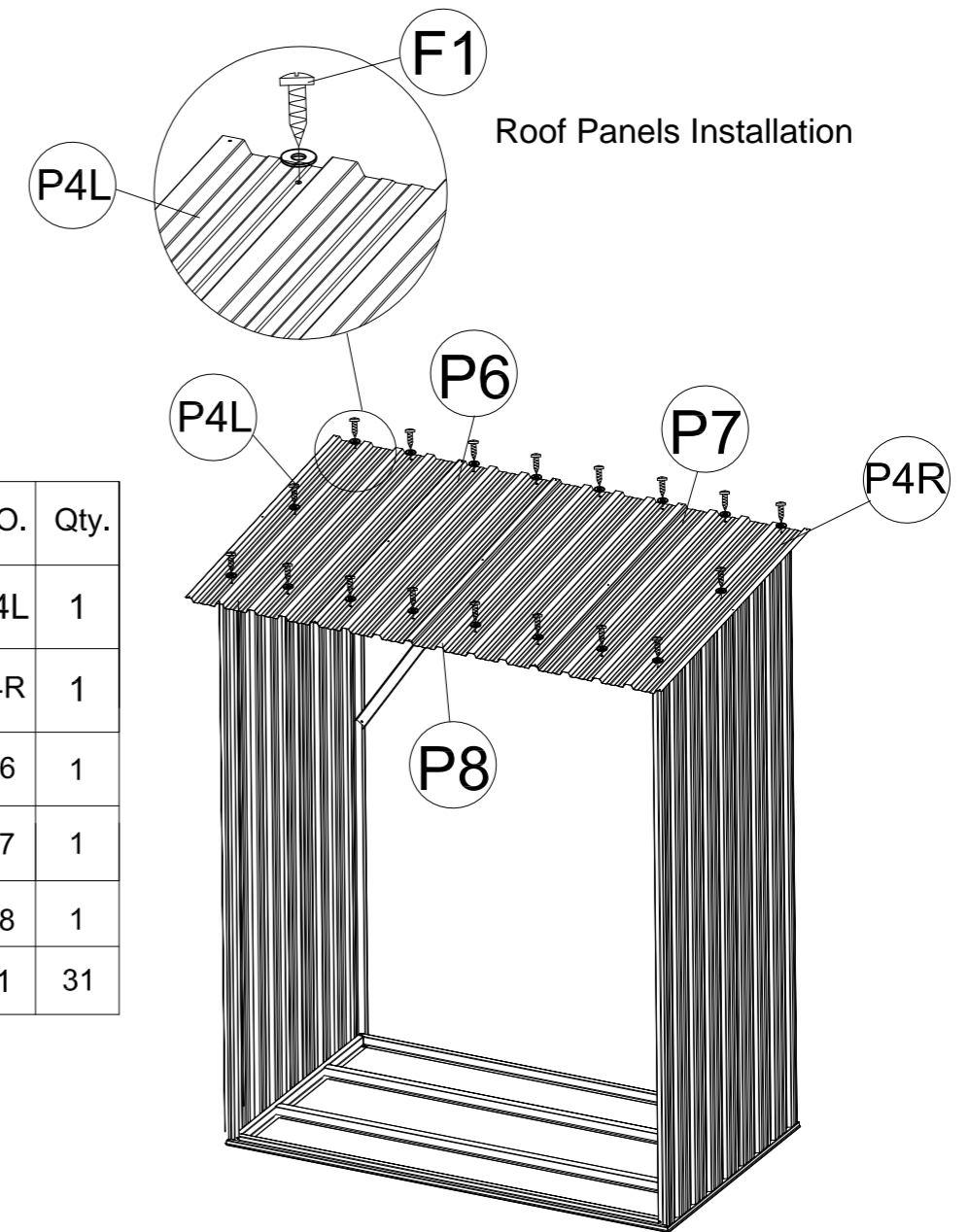
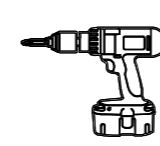
DO NOT attempt to assemble your shed in windy weather because of risk of damage to panels, or personal injury. Be careful of wet or muddy ground.

Teamwork:

Whenever possible, two or more people should work together to assemble the building. One person can position parts or panels while the other is able to handle the fasteners and the tools.

PARTS LIST

STEP 4



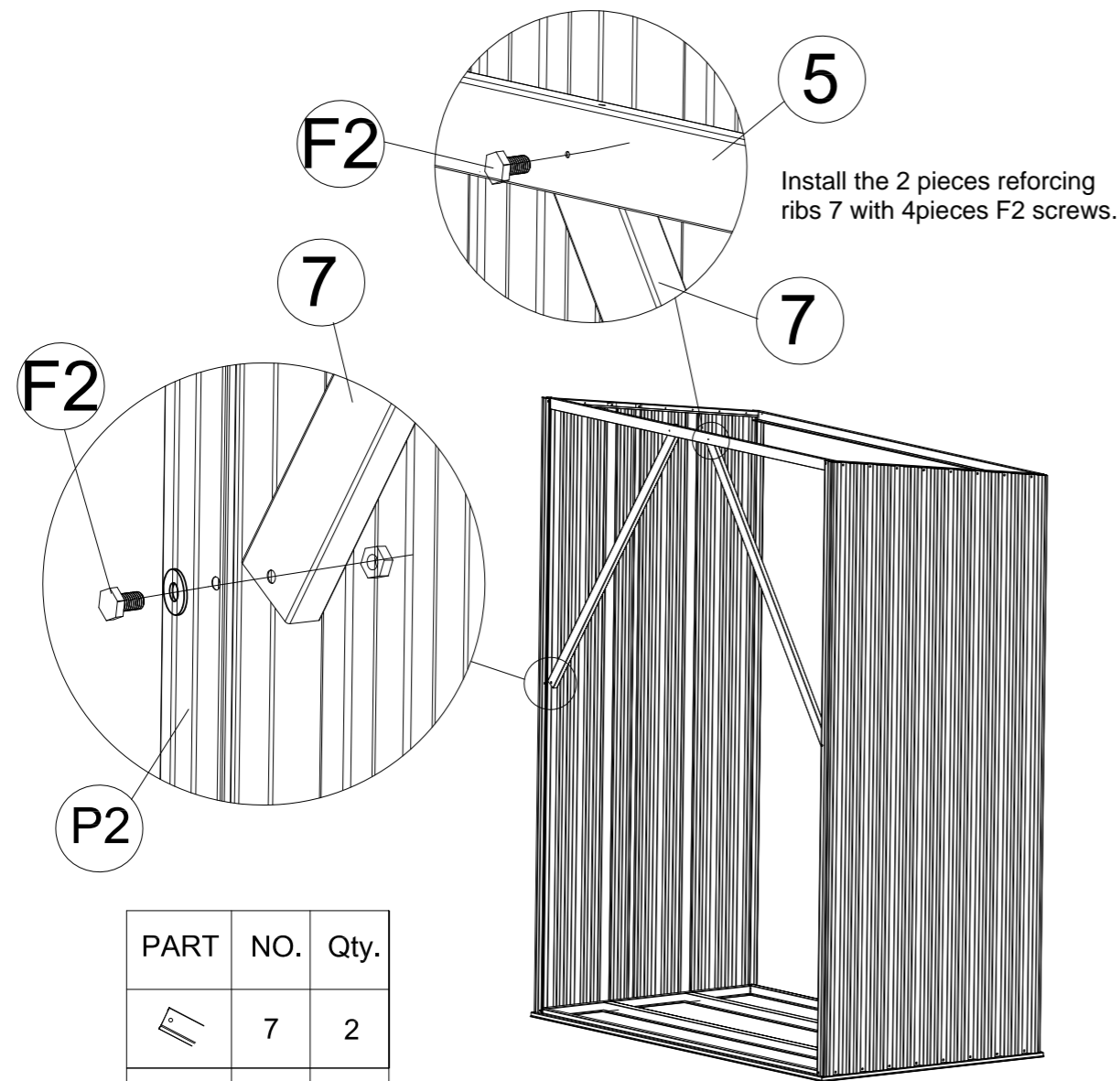
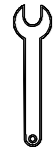
| PART | NO. | Qty. |
|------|-----|------|
| | 1 | 2 |
| | 2 | 4 |
| | 3 | 2 |
| | 4 | 2 |
| | 5 | 2 |
| | 7 | 2 |
| | 8 | 2 |
| | 9L | 2 |
| | 9R | 2 |
| | 10 | 2 |
| | 11 | 2 |

| PART | NO. | Qty. |
|------|-----|------|
| | P1 | 1 |
| | P2 | 1 |
| | P3 | 1 |
| | P4L | 1 |
| | P4R | 1 |
| | P5 | 1 |
| | P6 | 1 |
| | P7 | 1 |
| | P8 | 1 |
| | GC | 4 |

| PART | NO. | Qty. |
|------|-----|------|
| | W1 | 4 |
| | F1 | 94 |
| | F2 | 10 |

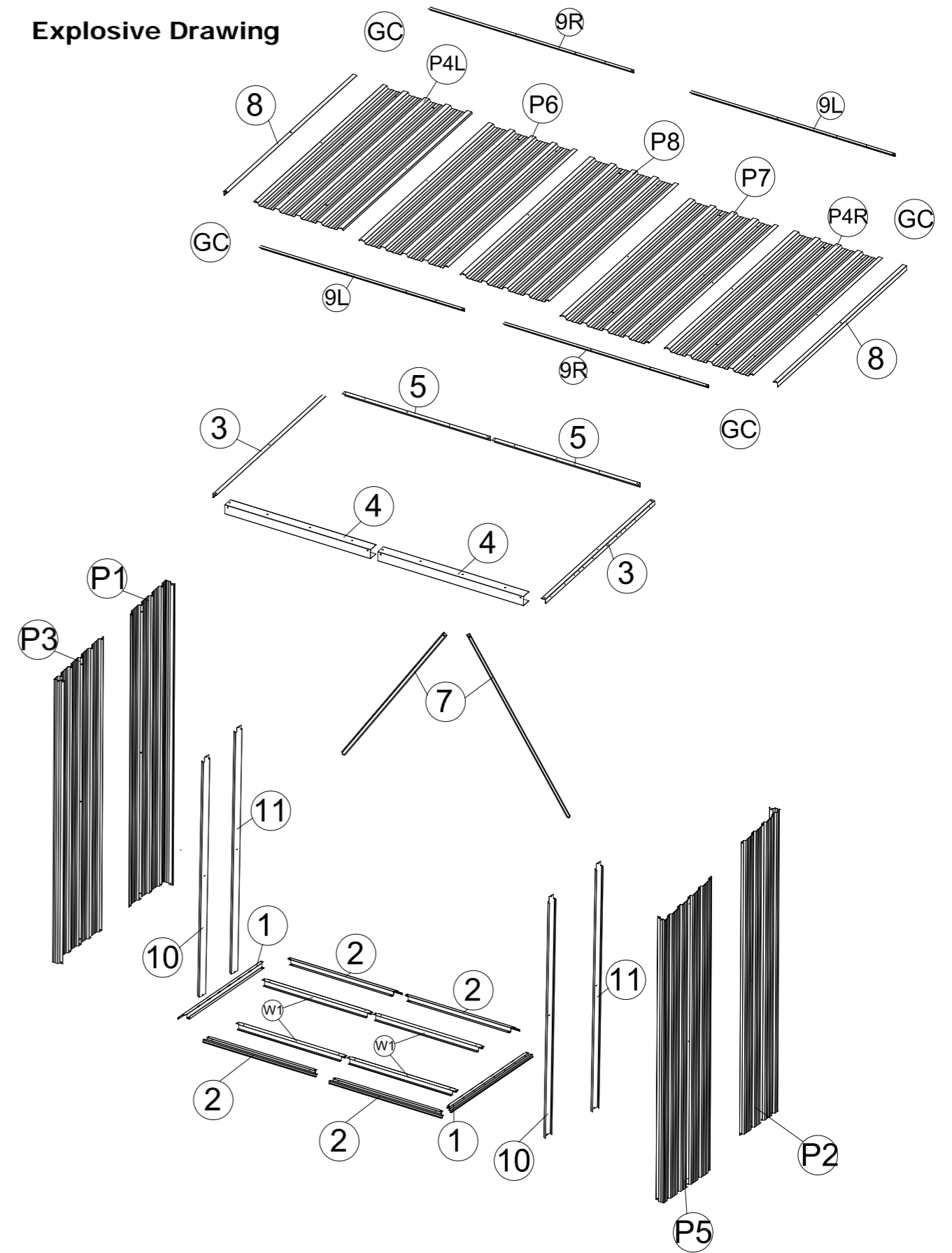
| PART | NO. | Qty. |
|------|-----|------|
| | P4L | 1 |
| | P4R | 1 |
| | P6 | 1 |
| | P7 | 1 |
| | P8 | 1 |
| | F1 | 31 |

STEP 3



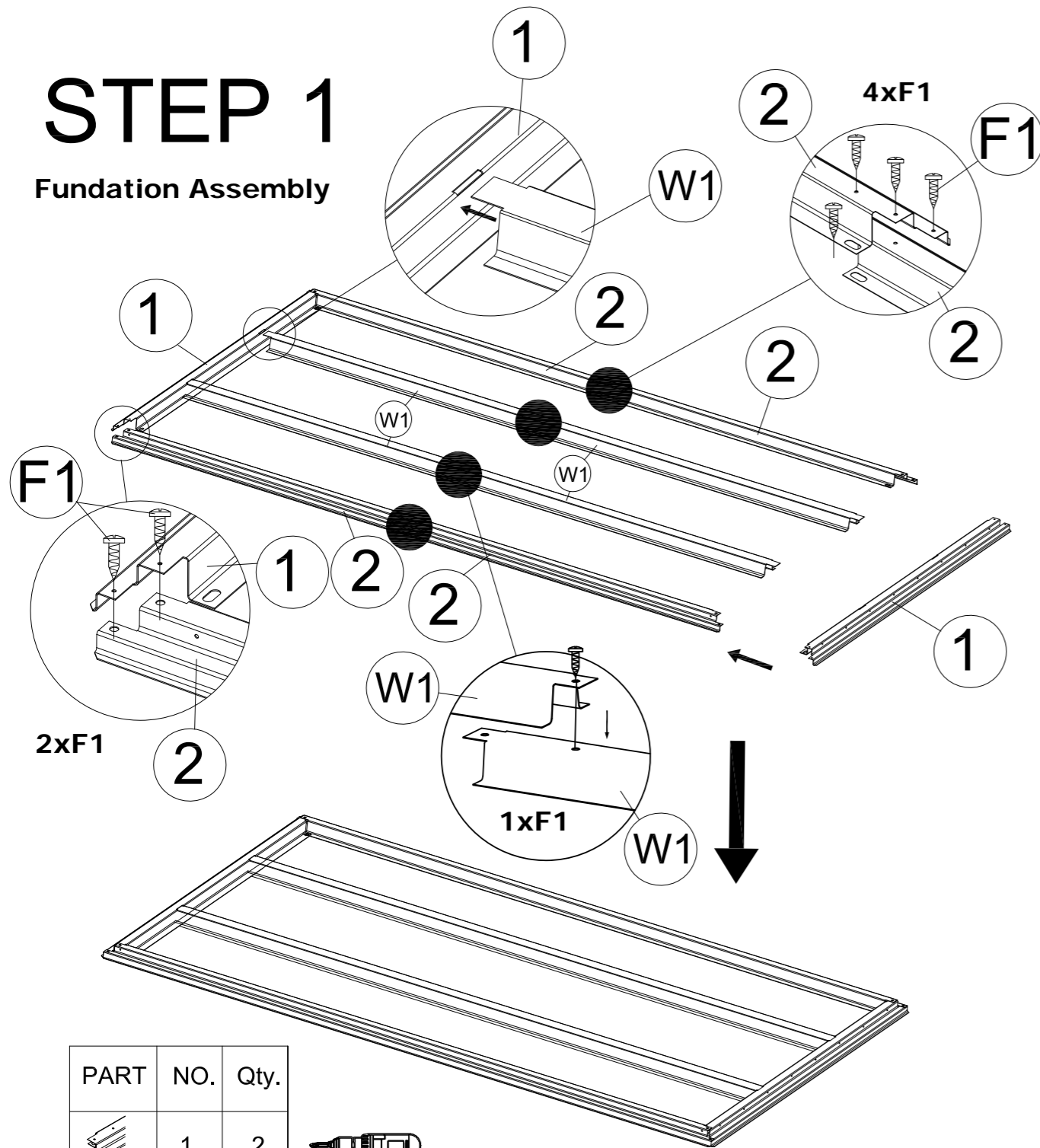
| PART | NO. | Qty. |
|------|-----|------|
| | 7 | 2 |
| | F2 | 4 |

Explosive Drawing

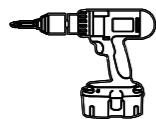


STEP 1

Foundation Assembly

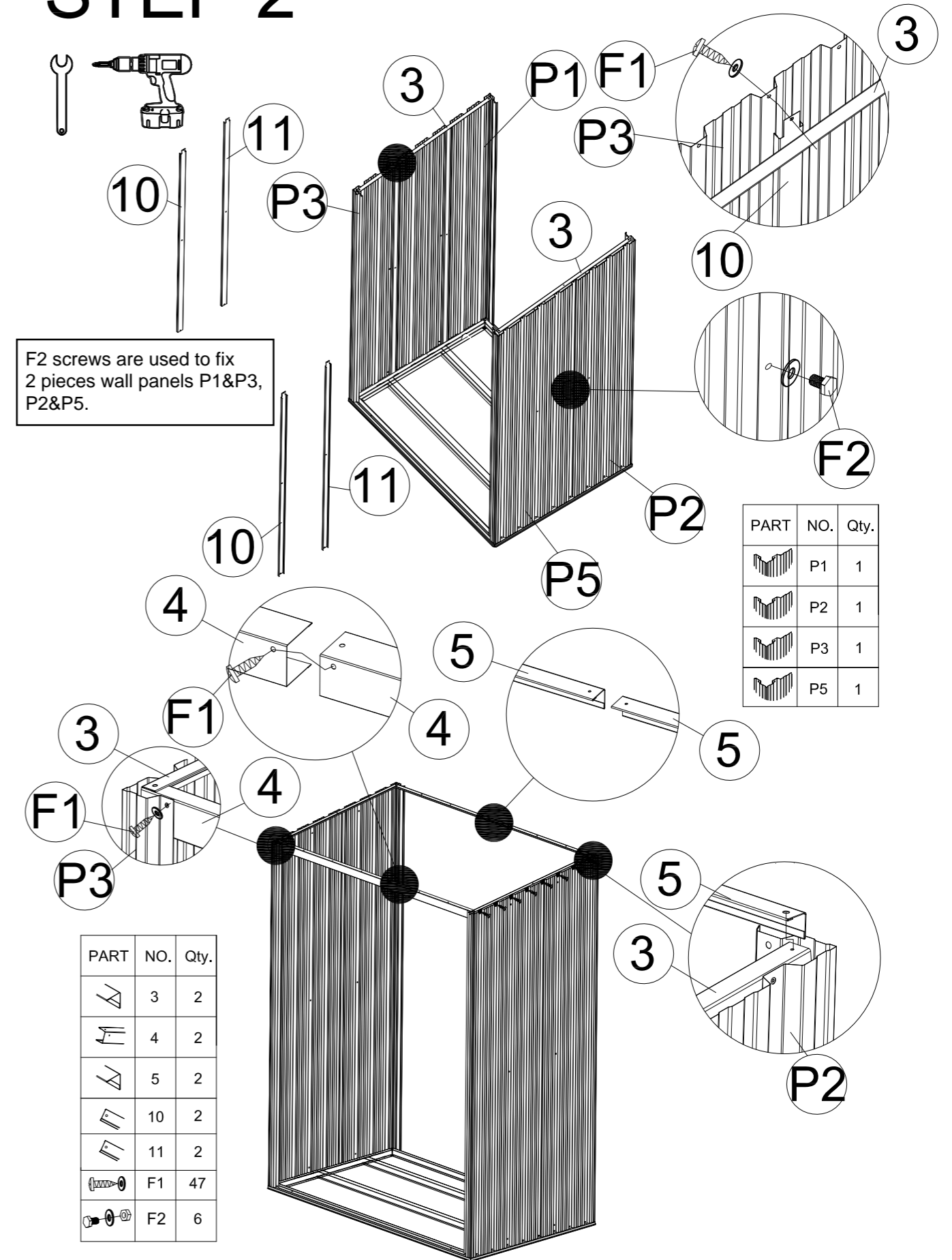


| PART | NO. | Qty. |
|------|-----|------|
| | 1 | 2 |
| | 2 | 4 |
| | W1 | 4 |
| | F1 | 18 |



STEP 2

Frame and Wall Panels Assembly



F2 screws are used to fix 2 pieces wall panels P1&P3, P2&P5.

| PART | NO. | Qty. |
|------|-----|------|
| | P1 | 1 |
| | P2 | 1 |
| | P3 | 1 |
| | P5 | 1 |

| PART | NO. | Qty. |
|------|-----|------|
| | 3 | 2 |
| | 4 | 2 |
| | 5 | 2 |
| | 10 | 2 |
| | 11 | 2 |
| | F1 | 47 |
| | F2 | 6 |