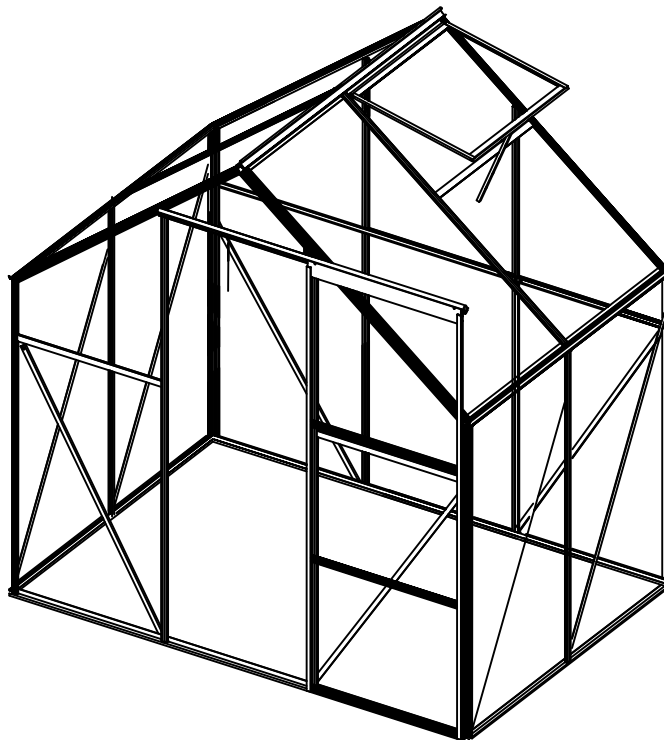


# Metal Base of Greenhouse

## Assembly Instruction

---

Overall Size/CM: L130 x W190 x H195  
Overall Size/inch: L51"x W75"x H76.7"



9820102-1  
9820102-2

### **IMPORTANT**

You must read these instructions carefully before you start to assemble it.

Please ensure that you find all parts in the correct type and quantity as mentioned in the list.

Please carry out the steps according to the instructions.

**Do not tighten the steps until completing on the assembly of the whole product.**

Keep the instruction manuals in a safe place for future reference.



# IMPORTANT

If you have any problems with this product, please

**DO NOT RETURN THIS ITEM**

To the Retailer/Store from where you purchased the product.

Please email us anytime with the nature of the problem at:

**ContactUs@Hanover-Products.com**

Please include:

- Pictures of the issue(s) and receipt (if available)
- Name and address of the Purchaser
- Name of retailer

Or call our Customer Service team between 9:00 AM and 5:00 PM Eastern Time,  
Monday through Friday at:

**1-877-397-5144**

or visit our website at:

**www.Hanover-Products.com**

To expedite any future warranty claims, please retain your receipt for future use.

For additional on-line support on assembly, troubleshooting and care & maintenance of your outdoor product, please visit our website at: **www.Hanover-Products.com**.

## **SAFETY ADVICE**

We strongly recommend the use of work gloves during assembly.

Do not attempt to assemble the greenhouse in windy or wet conditions,

Do not touch overhead power cables with the aluminum profiles.

Always wear shoes and safety goggles when working with extruded aluminum.

Dispose of all plastic bags safely. Keep them out of reach of small children.

The greenhouse must be positioned and fixed on a flat level surface.

Do not lean against or push the greenhouse during construction.

Keep children away from the assemble area.

Do not position your greenhouse in an area exposed to excessive wind.

Do not attempt to assemble this greenhouse if you are tired ,have taken drugs or alcohol or if you are prone to dizzy spells.

If using a step ladder or power tools ensure that you follow the manufactures safety advice.

Hot items such as recently used grills, blowtorches must not be stores in the greenhouse.

Ensure there are no hidden pipes or cables in the ground before inserting the pegs.

## **GENERAL ADVICE**

This is a multi-part assembly and needs at least 3-4 hours for assembly.

Selecting a site-choose a sunny level position away from overhanging trees.

If you are fixing your greenhouse directly to a solid concrete foundation use the pre drilled holes in the metal base supplied.

The component parts should be checked and laid out close at hand.

Keep all small parts (screws etc) in a bowl so they do not get lost.

Note that the door is hinged on the right hand side and therefore opens to the right side.

Keep roof clear of snow and leaves.

## **CARE & MAINTENANCE**

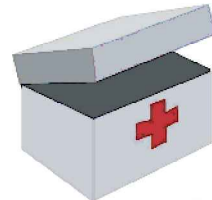
When your greenhouse need cleaning, use a mild detergent solution and risen with cool clean water.

Do NOT use acetone, abrasive cleaners or other special detergent to clean the panels.

# TOOLS & EQUIPMENT REQUIRED

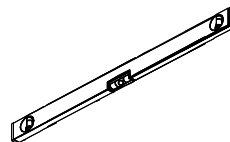
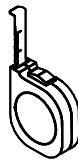
## Protective Equipment:

1. Helmet
2. Glove
3. Long Sleeve Cotton Overalls
4. Emergency Medicine Cabine
5. Eye Shield



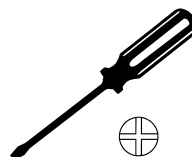
## Measure (metric):

1. Tape (10feet)
2. Angle Square
3. Level Meter



## Advised Installation Tools:

1. Triangle Stair 5 feet height
2. Spanner 10mm / (25/64) (Ratchet Wrench is better)
3. Spanner 14mm / (35/64) (Install the expansion screw)
4. Hexagon wrench 5mm (13/64) inch
5. Electric screwdriver + 5mm (13/64) inch hexagon wrench
6. Wooden Mallet
7. Marking Pen
8. Percussion bit (10mm) (25/64)
9. Knife
10. Phillips screwdriver



Silicon

# PART LIST

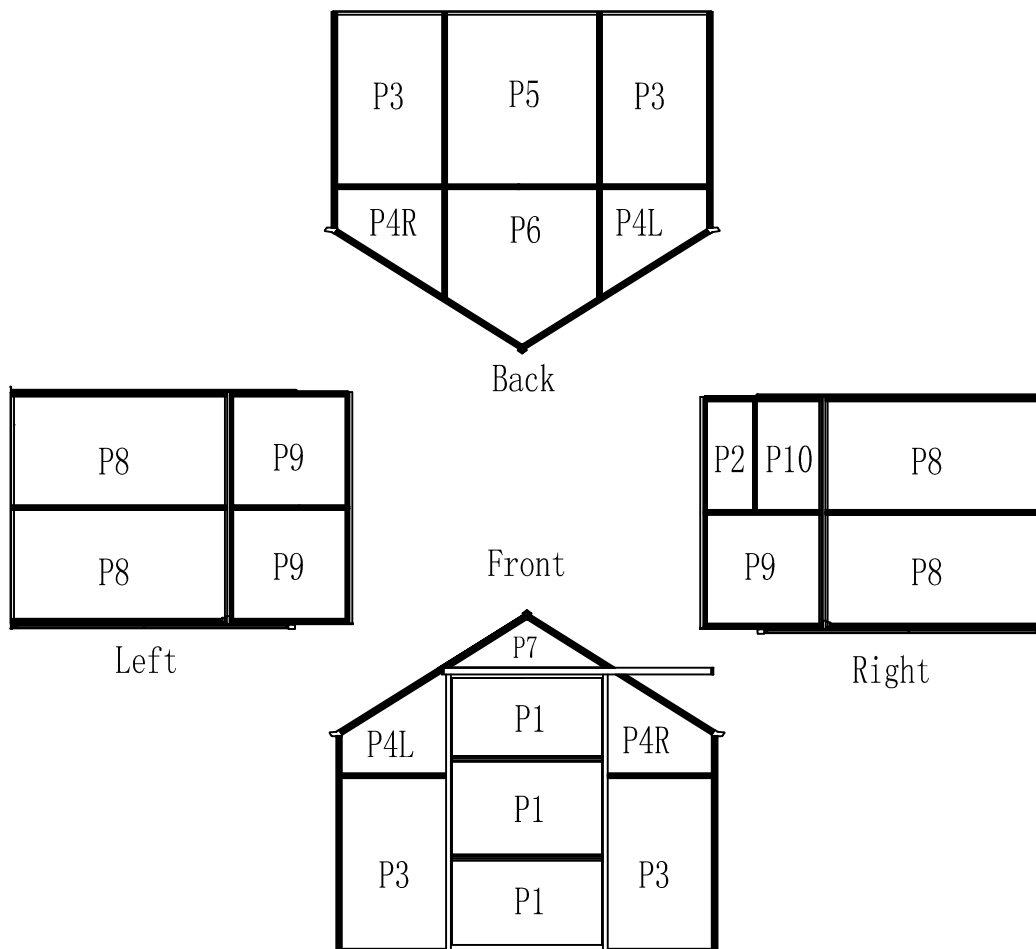
PART	NO.	Qty.
	D1	1
	D4	1
	D2	1
	D3	3
	W1	1
	W2	2
	W3	1
	W4	1
	12	4
	15	2
	13	1
	4	2
	5	1
	6	1
	7	4
	16	4
	8	2
	9	2
	10R	1
	10L	1
	19	2
	20	2

PART	NO.	Qty.
	14	1
	22	4
	23	4
	17	1
	18	1
	25	2
	26	1
	B1	6
	B2	14
	B3	2
	B4	4
	B5	4
	B6	2
	B7	1
	T1	2
	T2	1
	S2	9
	S5	2
	S6R	2
	S6L	2
	S7R	1
	S7L	1
	S8	1

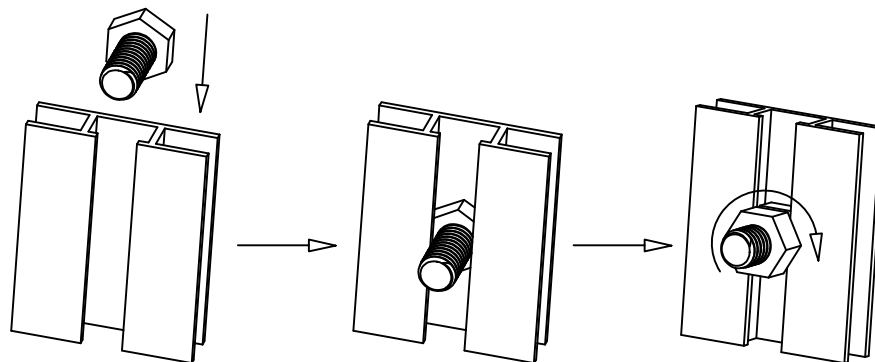
PART	NO.	Qty.
	F6	2
	F8	1
	F9	1
	S9	1
	F1	10
	F2	4
	F4	130

PC BOARDS	P1	3
	P2	1
	P3	4
	P4R	2
	P4L	2
	P5	1
	P6	1
	P7	1
	P8	4
	P9	3
P10	1	

## SUMMARY STATEMENT FOR POLYCARBONATE PANEL



The UV-protected side of the sheet is covered with transparent film and must face towards the sun.

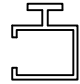
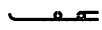




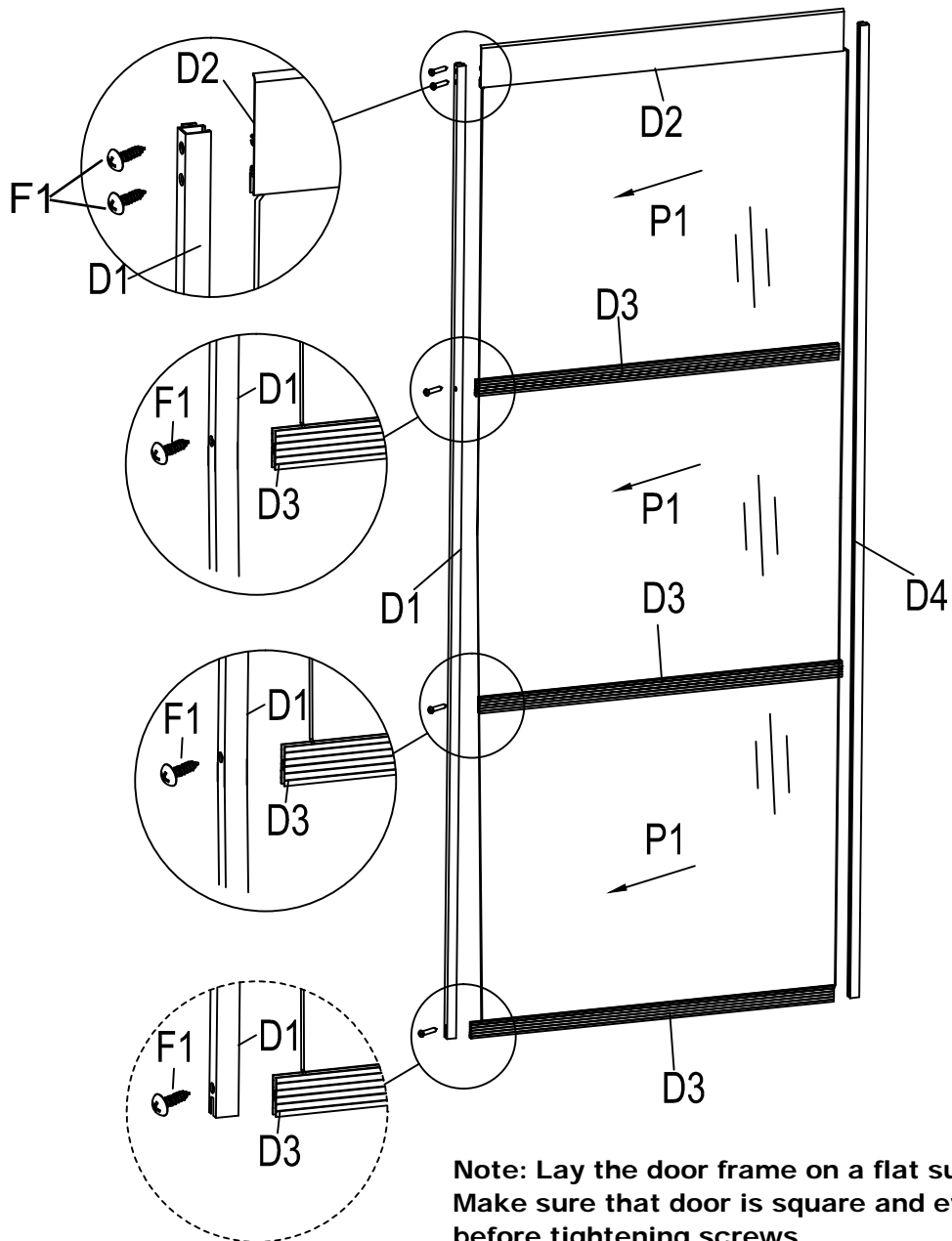
### "hexagonal screw" installation

Place the "hexagonal screw" into the groove, turn clockwise until it stops turning. Adjust the "hexagonal screw" by hand and twist so threads fix it in place. Place other parts on "hexagonal screw" and assemble nut .

**Do not fully-tighten screws**

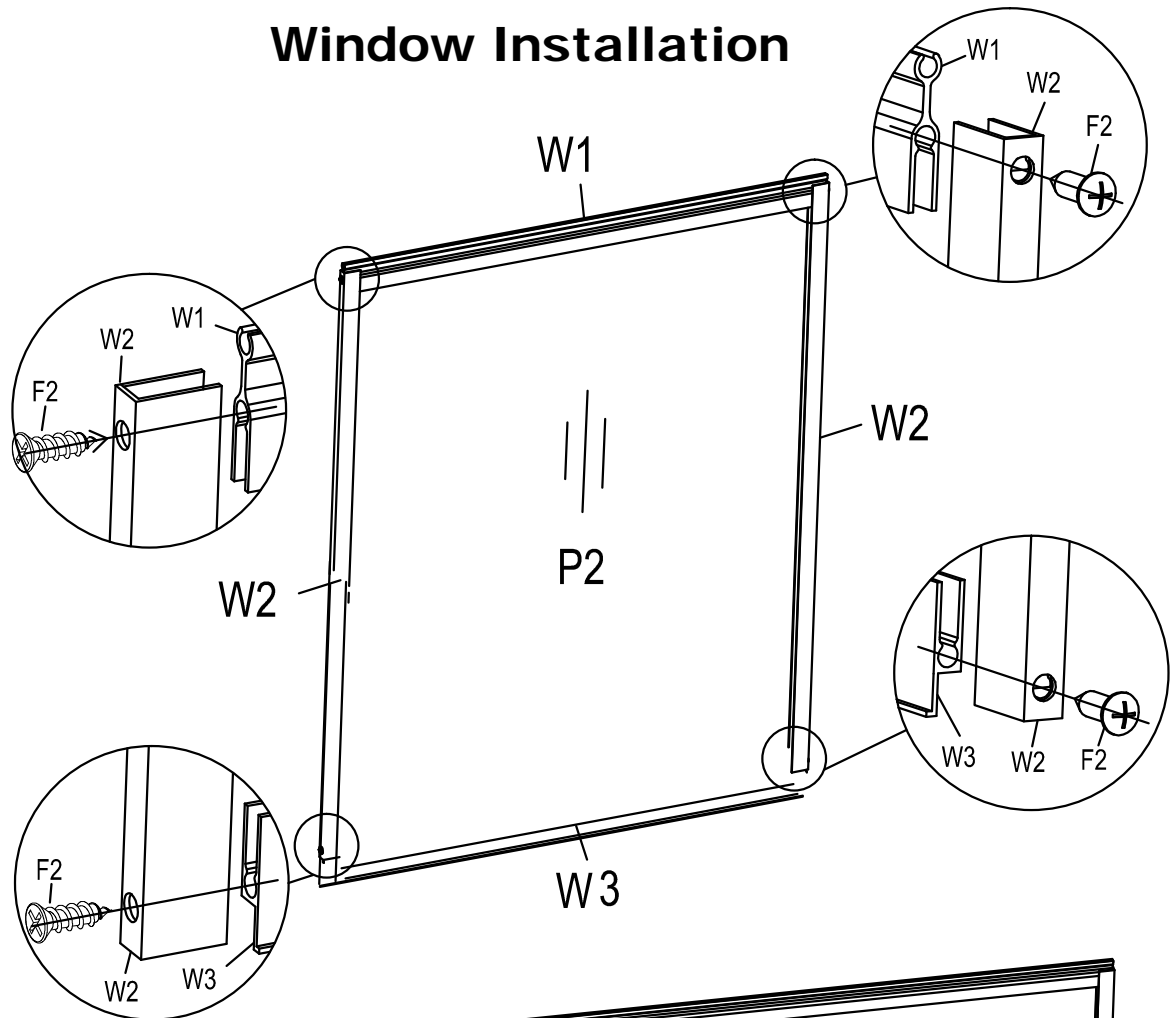
# Door Assembly

PART	NO.	Qty.
	D1	1
	D4	1
	D2	1
	D3	3
	F1	10

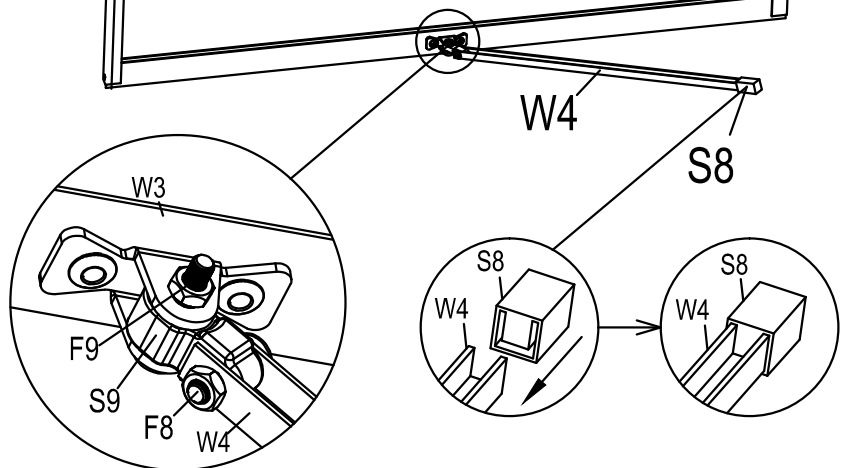
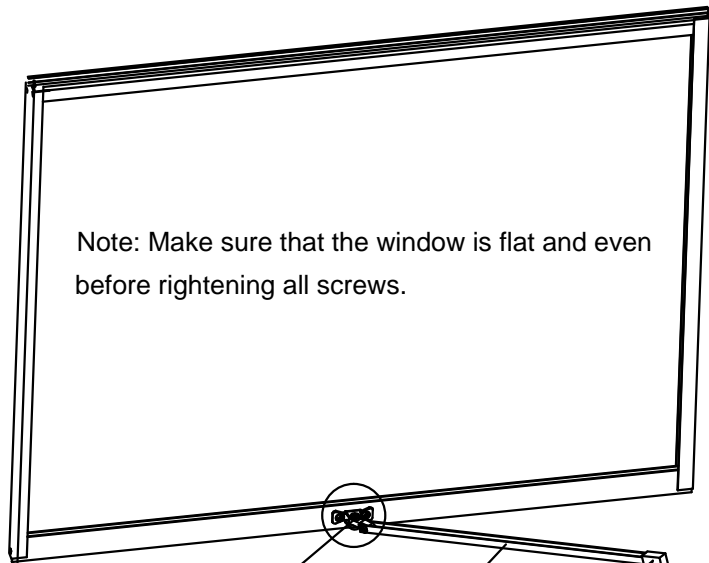


**Note: Lay the door frame on a flat surface. Make sure that door is square and even before tightening screws.**

# Window Installation



PART	NO.	Qty.
	W1	1
	W2	2
	W3	1
	W4	1
	S8	1
	S9	1
	F2	4
	F8	1
	F9	1

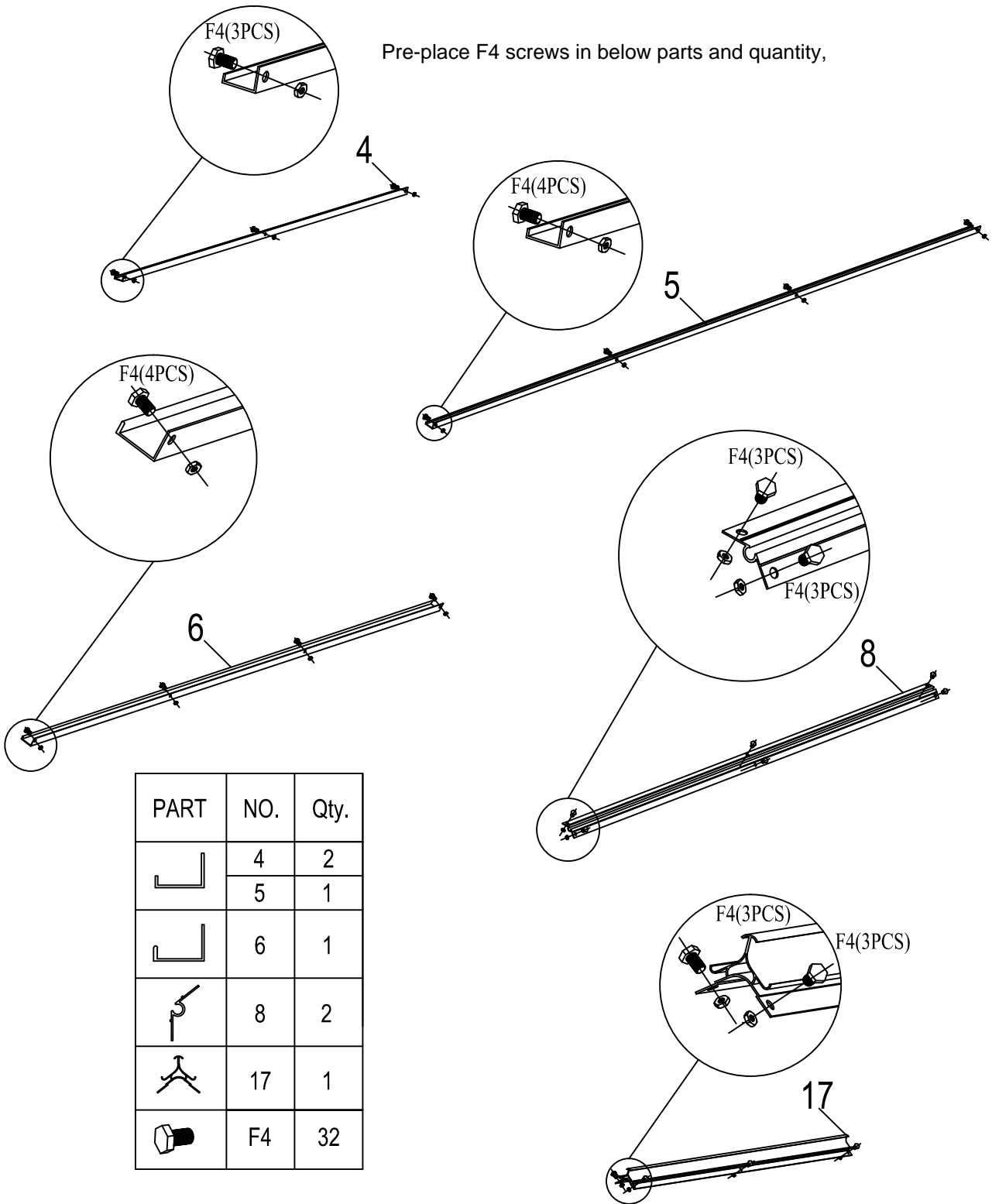


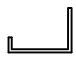




Window supporting knob



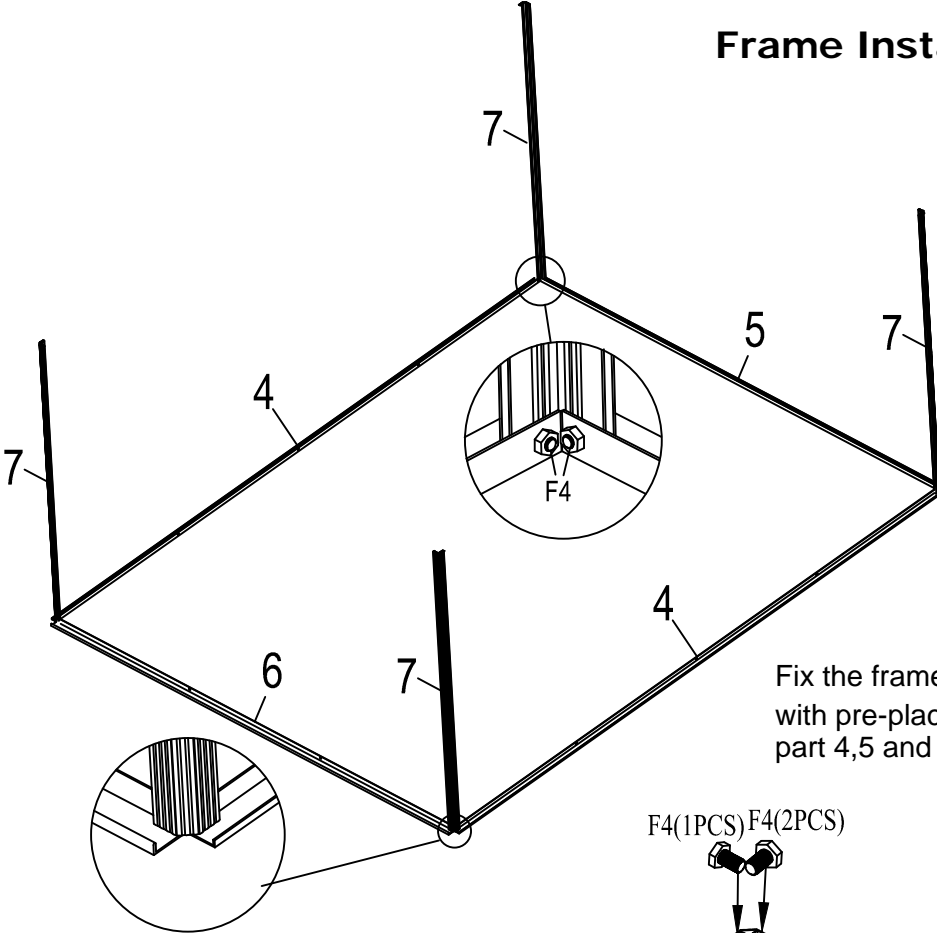
# Screw Preparation

Pre-place F4 screws in below parts and quantity,



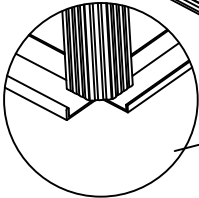
PART	NO.	Qty.
	4	2
	5	1
	6	1
	8	2
	17	1
	F4	32

# Frame Installation



PART	NO.	Qty.
	7	4
	10R	1
	10L	1
	F4	8

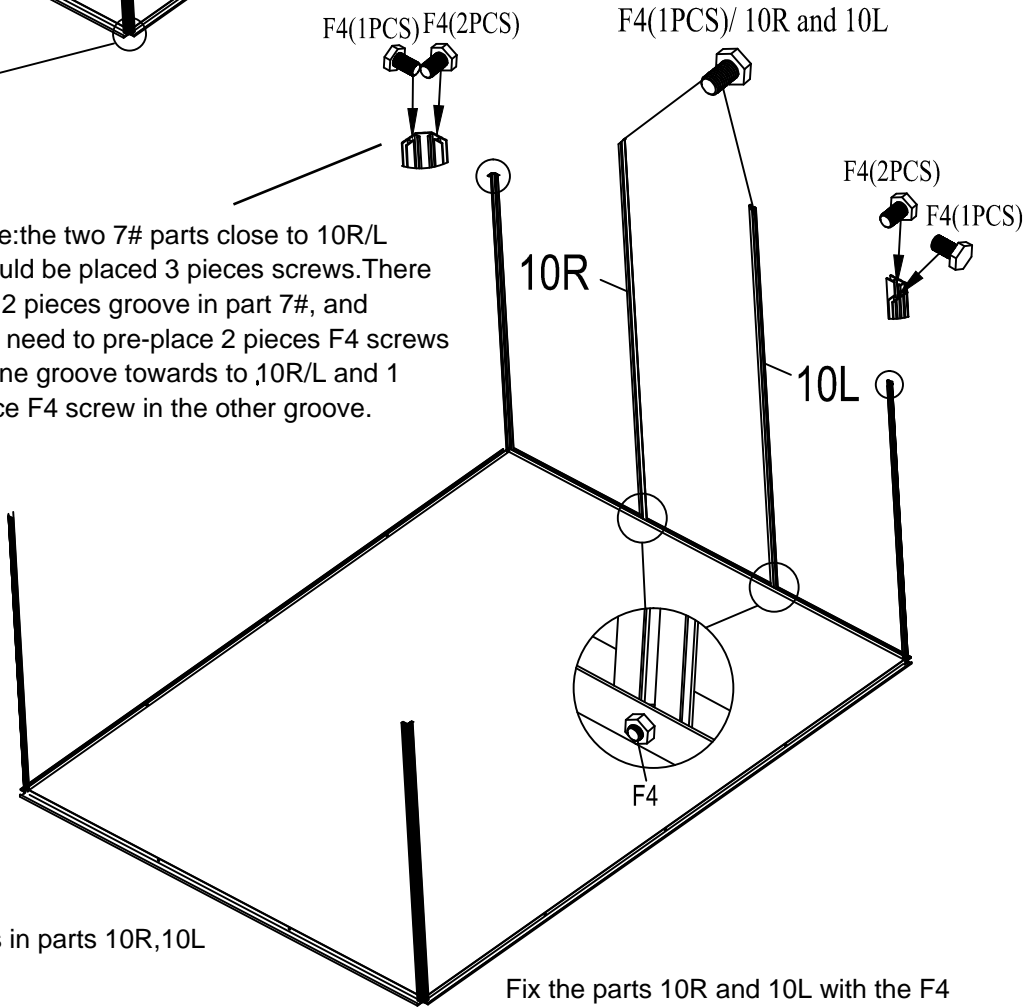
Fix the frame at each corner with pre-placed F4 screws in part 4,5 and 6.



F4(1PCS) F4(2PCS)

F4(1PCS)/ 10R and 10L

Note:the two 7# parts close to 10R/L should be placed 3 pieces screws. There are 2 pieces groove in part 7#, and you need to pre-place 2 pieces F4 screws in one groove towards to ,10R/L and 1 piece F4 screw in the other groove.

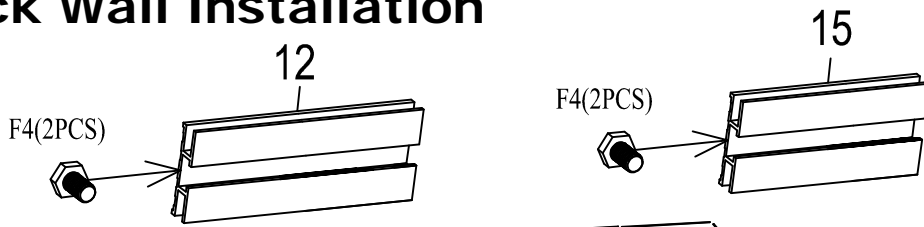


F4(2PCS) F4(1PCS)

Pre-place 1 piece F4 screws in parts 10R,10L

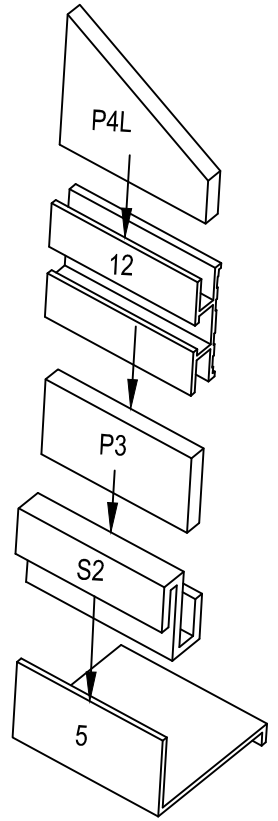
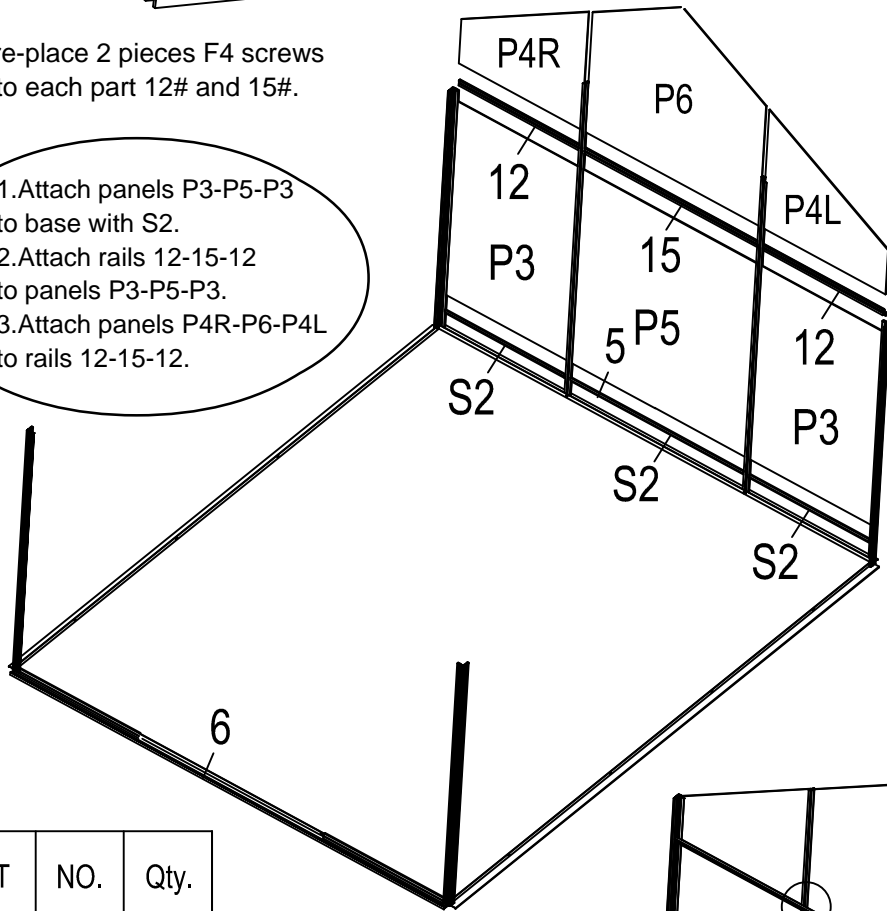
Fix the parts 10R and 10L with the F4 screws pre-placed in previous step.

# Back Wall Installation

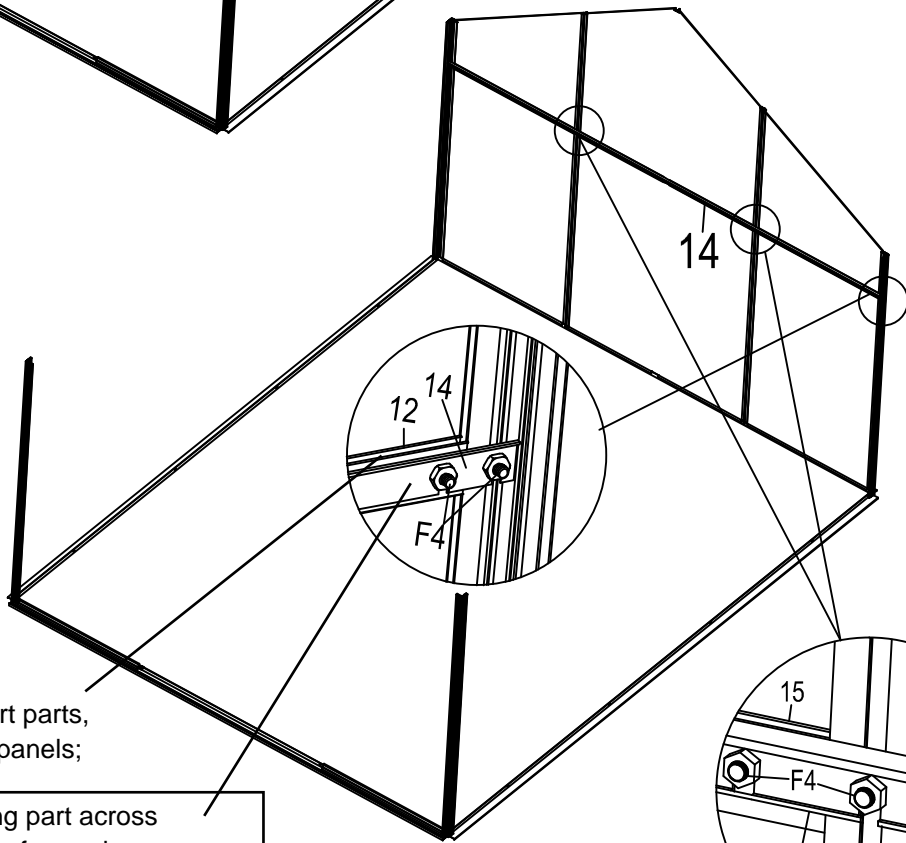


Pre-place 2 pieces F4 screws into each part 12# and 15#.

1. Attach panels P3-P5-P3 to base with S2.
2. Attach rails 12-15-12 to panels P3-P5-P3.
3. Attach panels P4R-P6-P4L to rails 12-15-12.



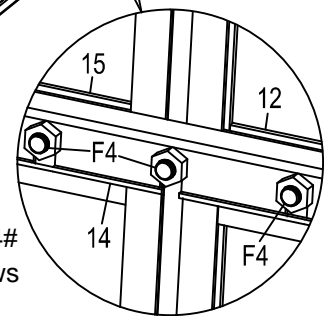
PART	NO.	Qty.
	S2	3
	12	2
	15	1
	14	1
	F4	6



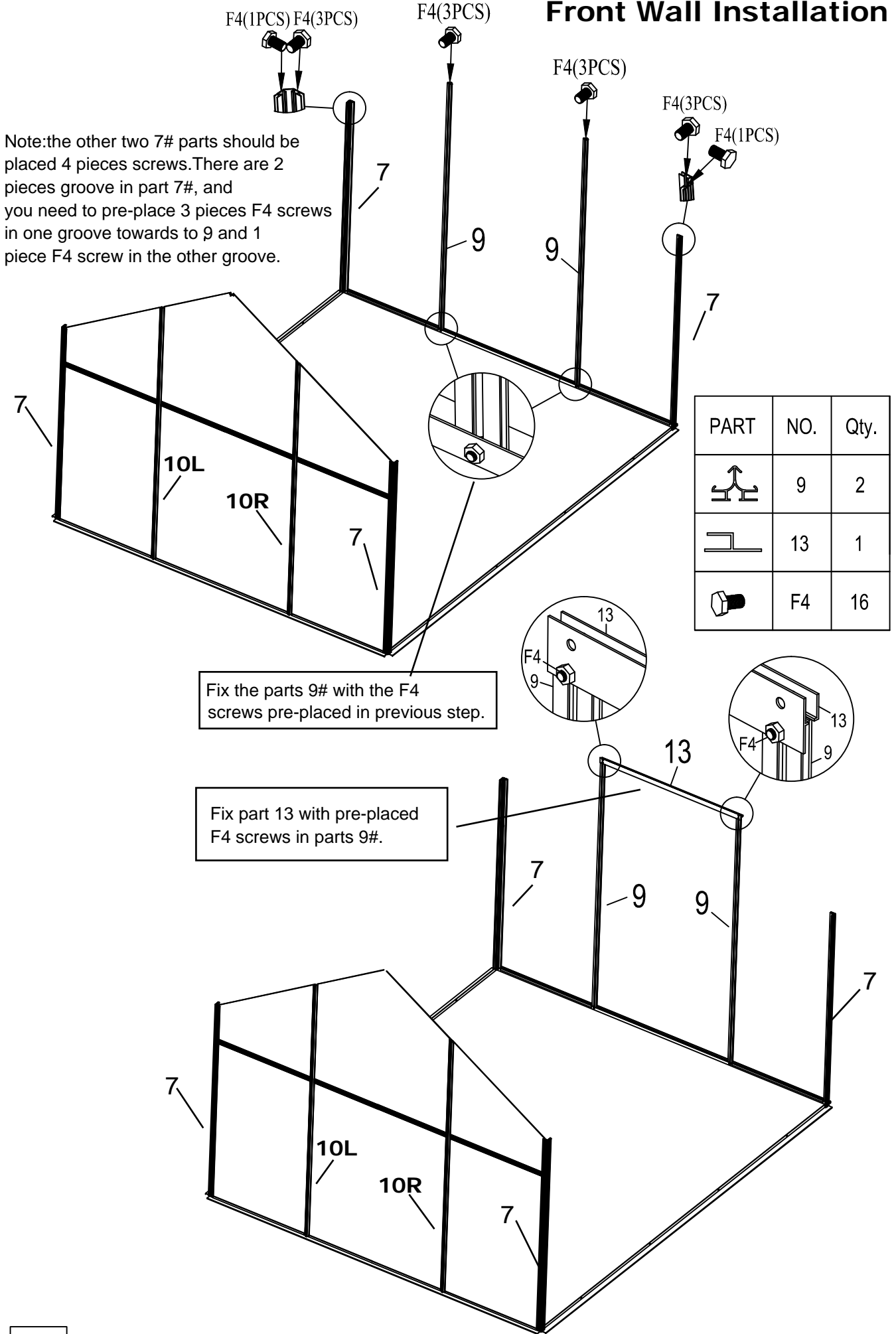
12# and 15# parts are short parts, covering on the top of PC panels;

14# part is a long part across the whole width of greenhouse. 14# part should be installed on 10L/R and 7#.  
Parts 12# and 15# are fixed on the part 14# with the pre-placed screws F4.

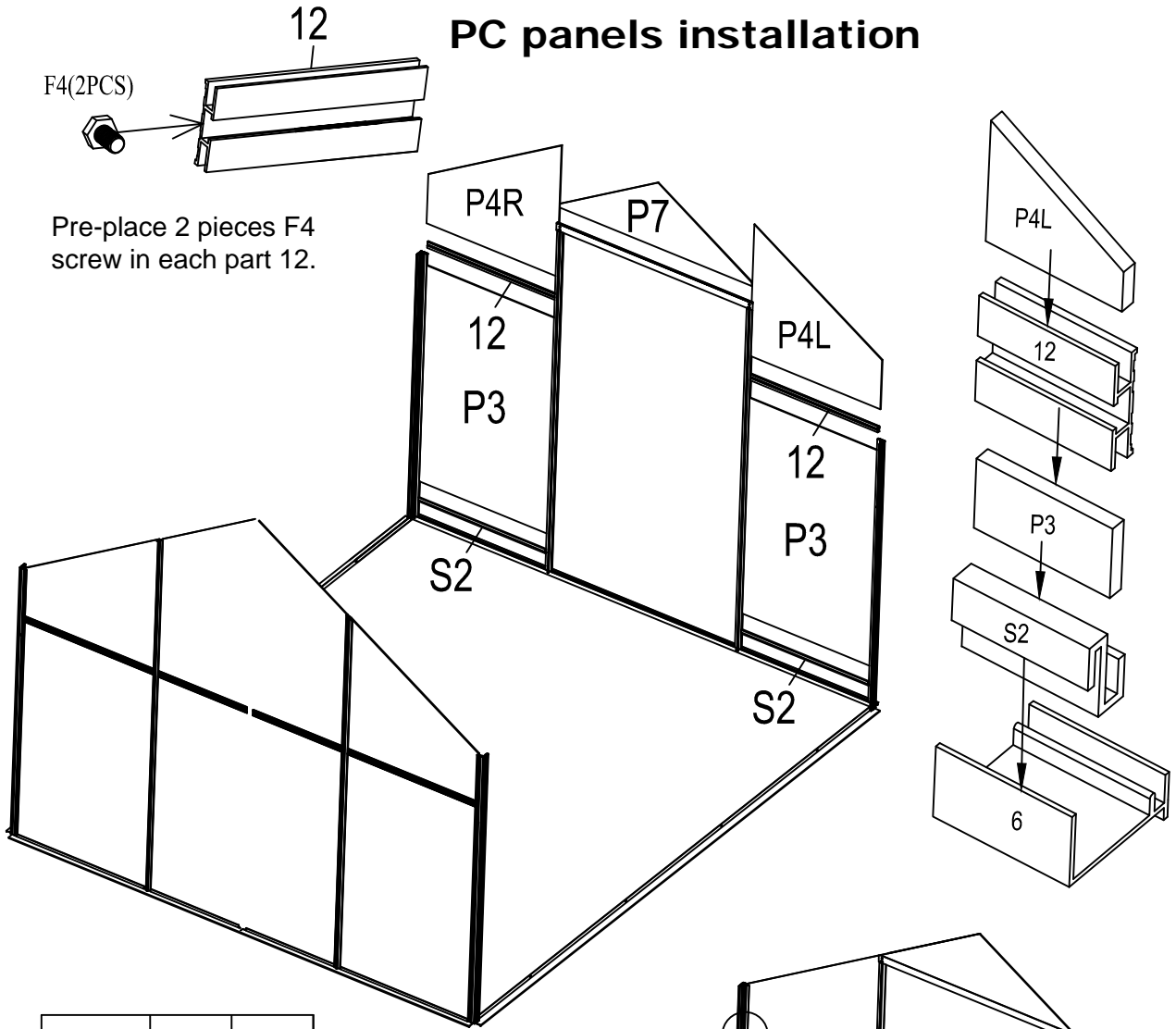
Fix the beam of back wall 14# with the pre-placed F4 screws at previous step in parts 7#, 10L, 10R, 12# and 15#.


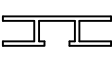




# Front Wall Installation

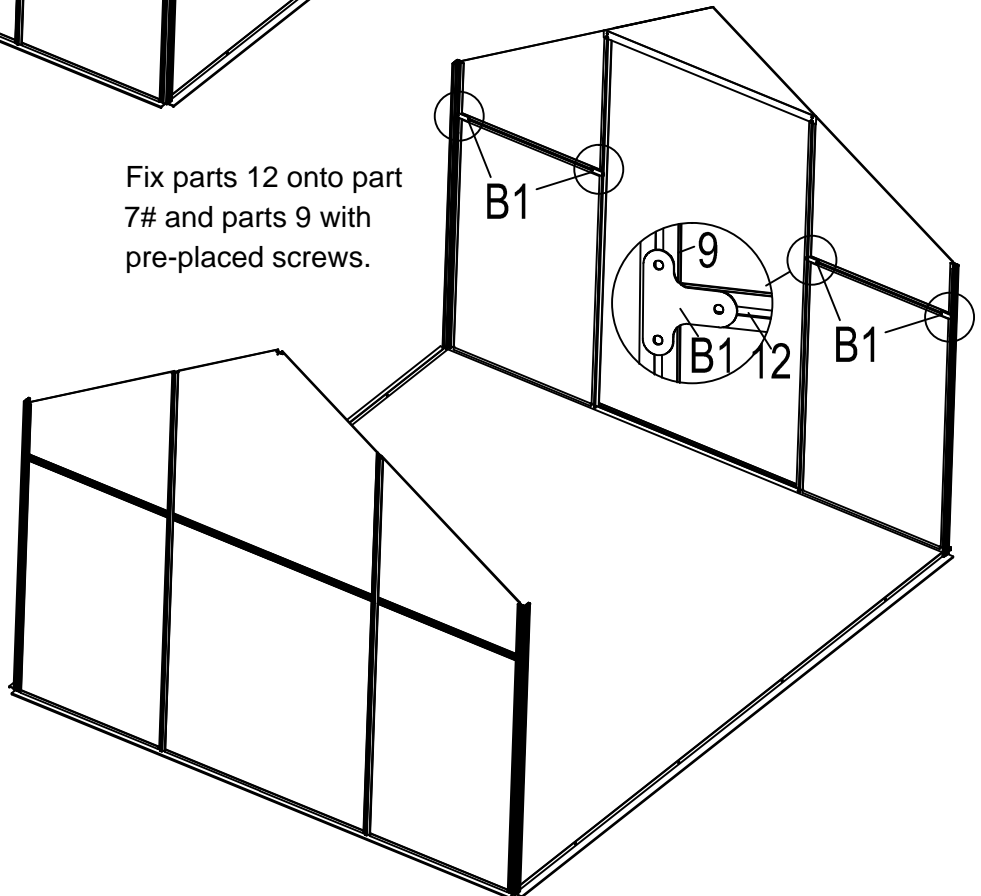


# Front Wall Installation PC panels installation



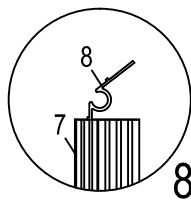
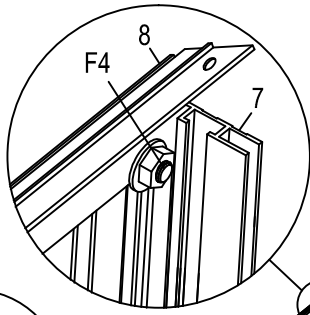
PART	NO.	Qty.
	S2	2
	12	2
	B1	4
	F4	4

Fix parts 12 onto part 7# and parts 9 with pre-placed screws.



# Beams Installation

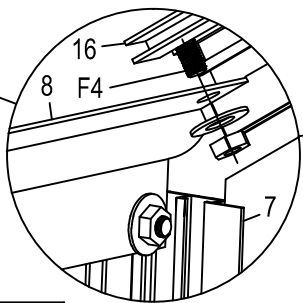
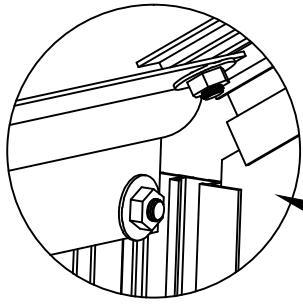
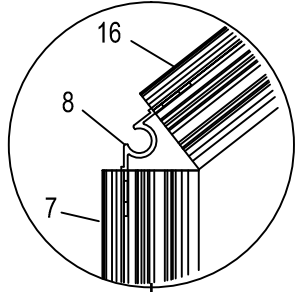
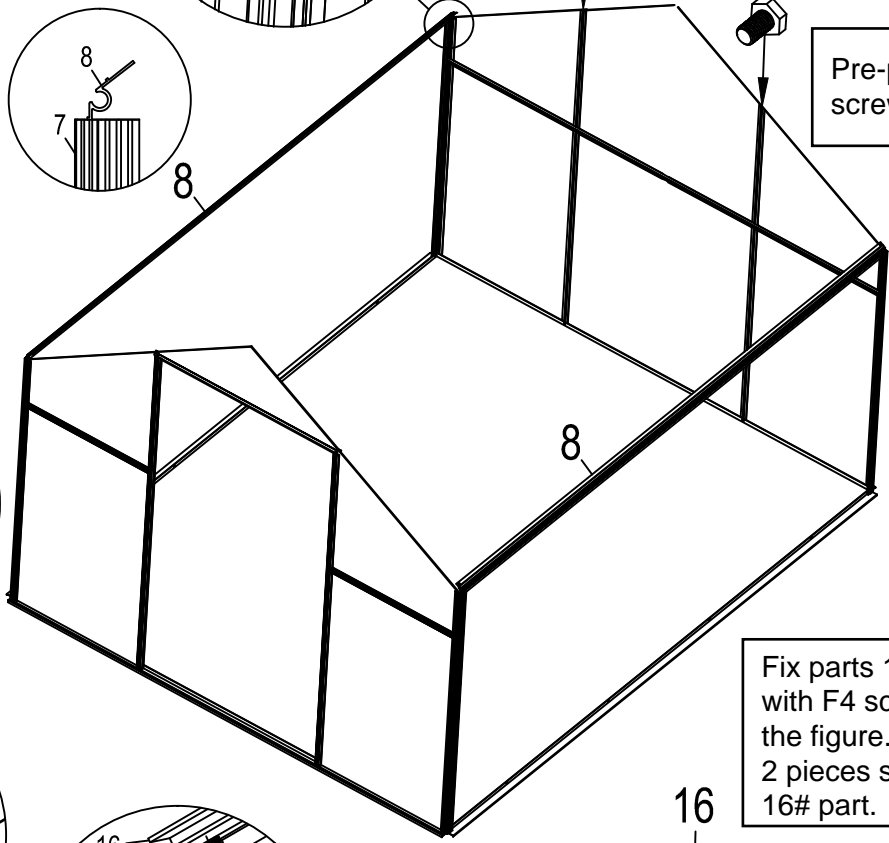
Fix part 8 on to part 7 with the preplaced F4 screws.



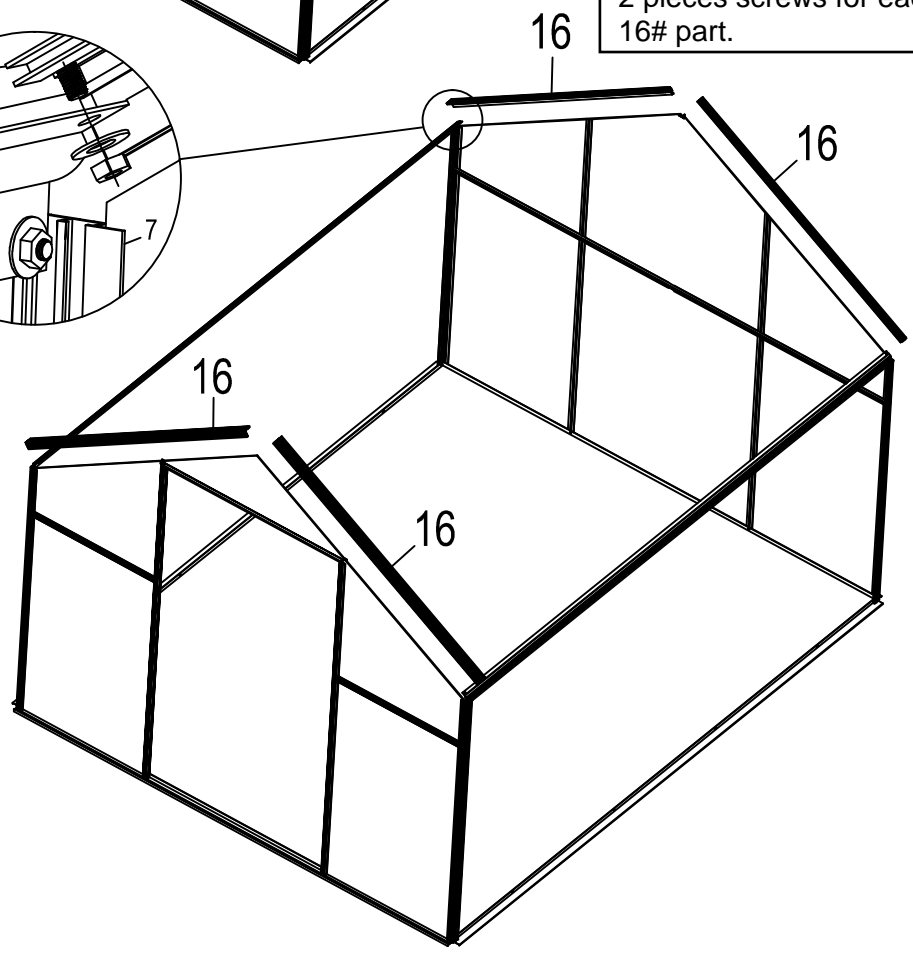
F4(2PCS)

F4(2PCS)

Pre-place 2 pcs F4 screws in each part 9.

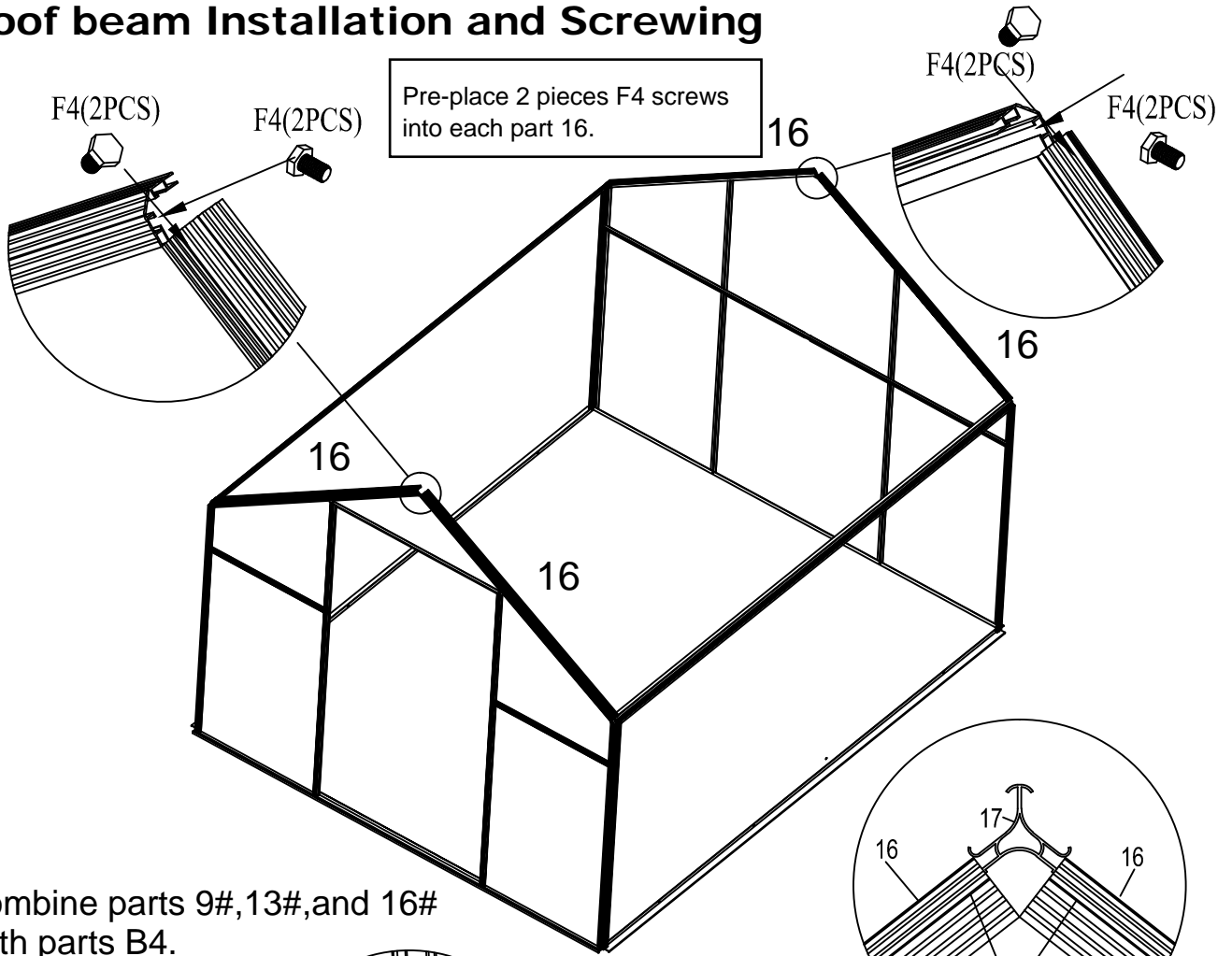


Fix parts 16# onto part 8 with F4 screws according to the figure. 2 pieces screws for each 16# part.

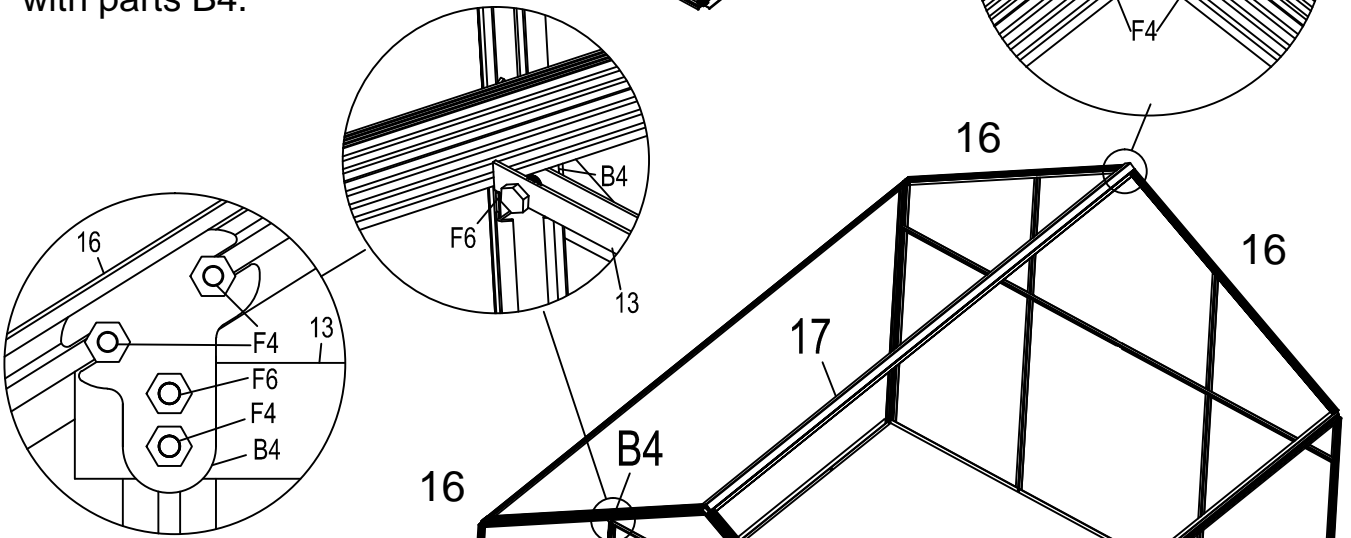






PART	NO.	Qty.
	8	2
	16	4
	F4	4

# Roof beam Installation and Screwing



Combine parts 9#,13#,and 16# with parts B4.


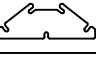



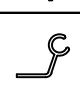


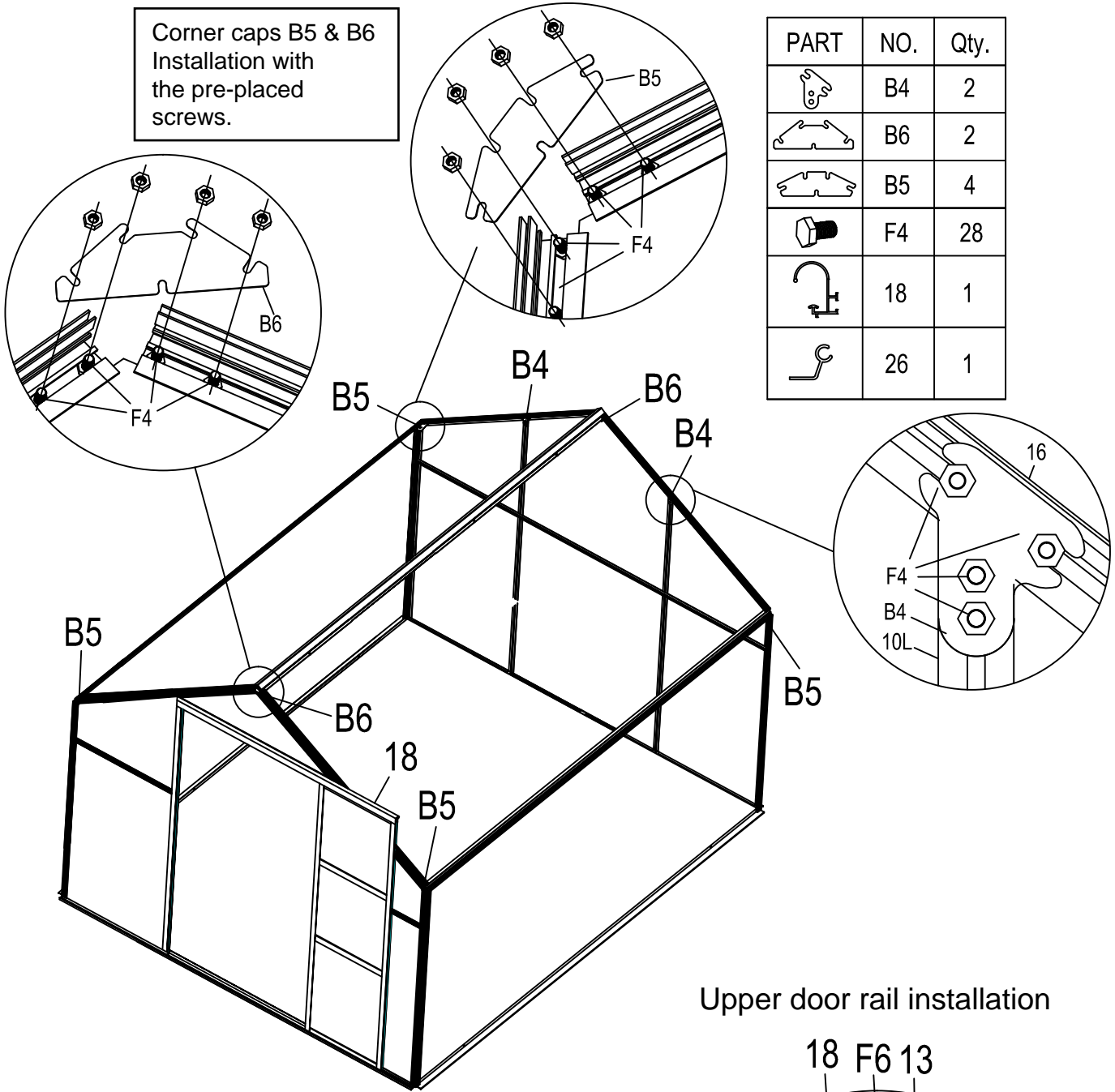
PART	NO.	Qty.
	17	1
	B4	2
	F4	12
	F6	2

Install roof crown 17 using F4 bolts previously inserted in parts 16.

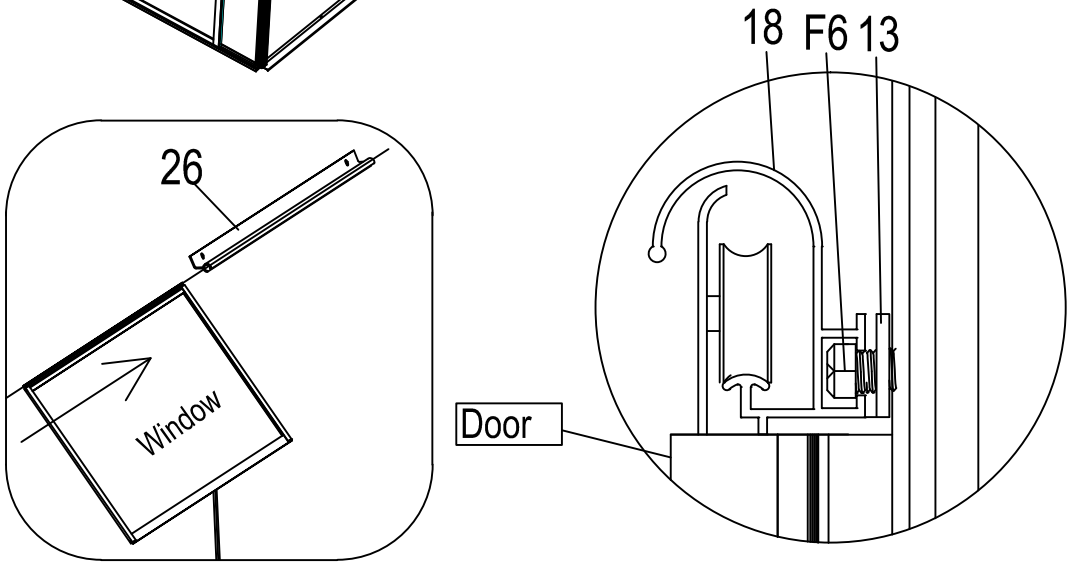
# Corner Fixation Plates Installation

Corner caps B5 & B6  
Installation with  
the pre-placed  
screws.

PART	NO.	Qty.
	B4	2
	B6	2
	B5	4
	F4	28
	18	1
	26	1



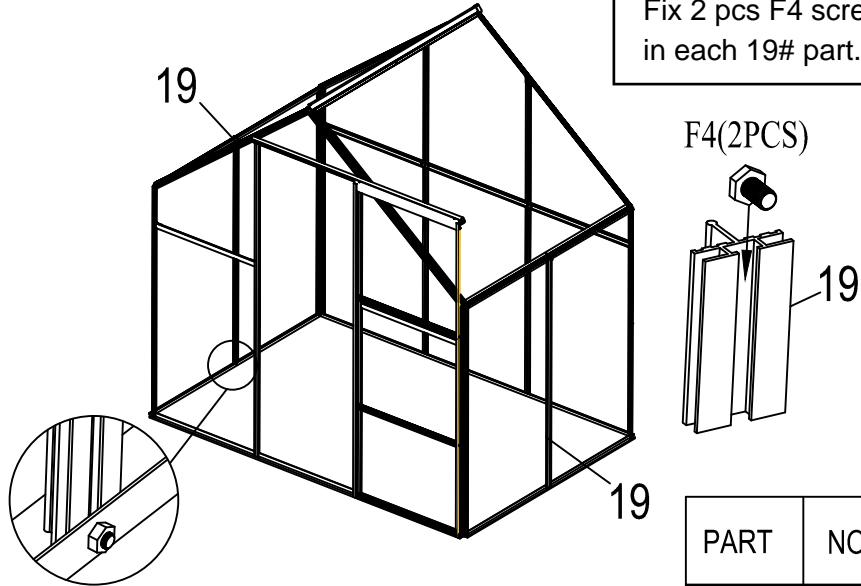
## Upper door rail installation



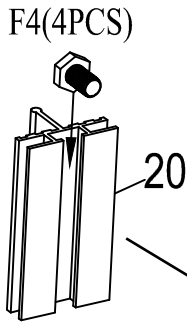




## Middle Wall Frame No.19 Installation

Fix 2 pcs F4 screws  
in each 19# part.

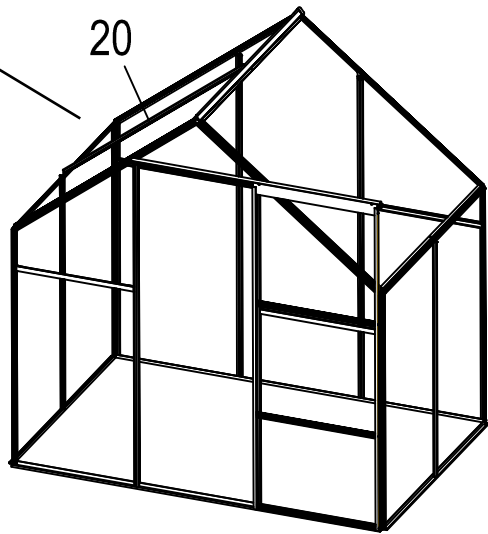
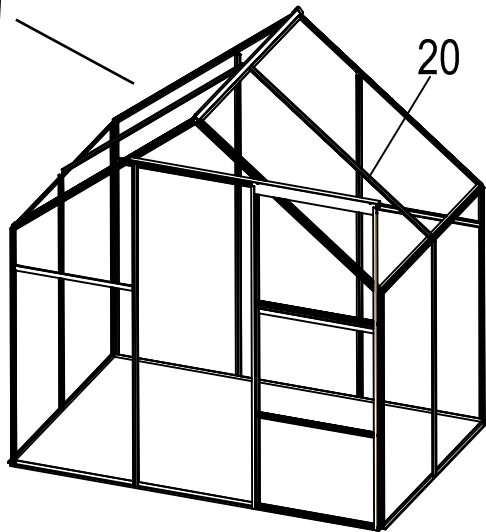
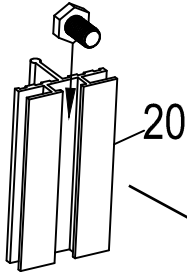


**Remark:**  
Please insert 4 screws in  
the two 20 profiles beside  
the window and insert 2  
screws in other 20 profiles.



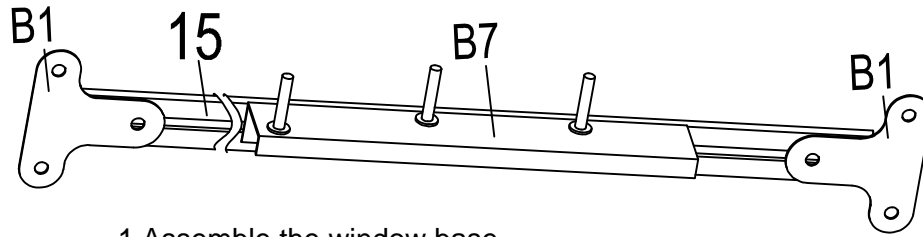
PART	NO.	Qty.
	19	2
	20	2
	F4	10

F4(2PCS)



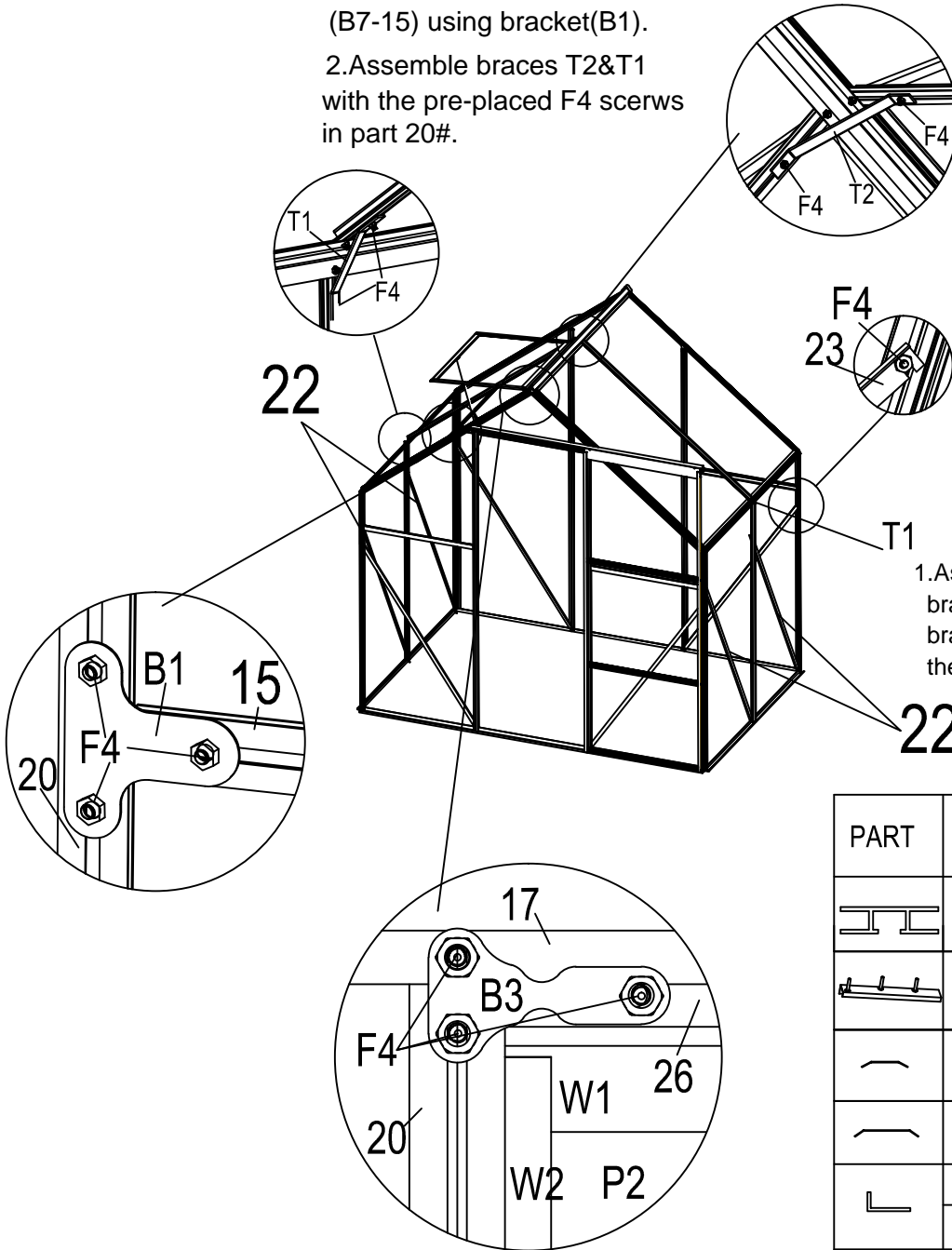
## Roof Middle Frame No.20 Installation

## Fastenings and Reinforcing Ribs Installation



1. Assemble the window base (B7-15) using bracket(B1).

2. Assemble braces T2&T1 with the pre-placed F4 screws in part 20#.

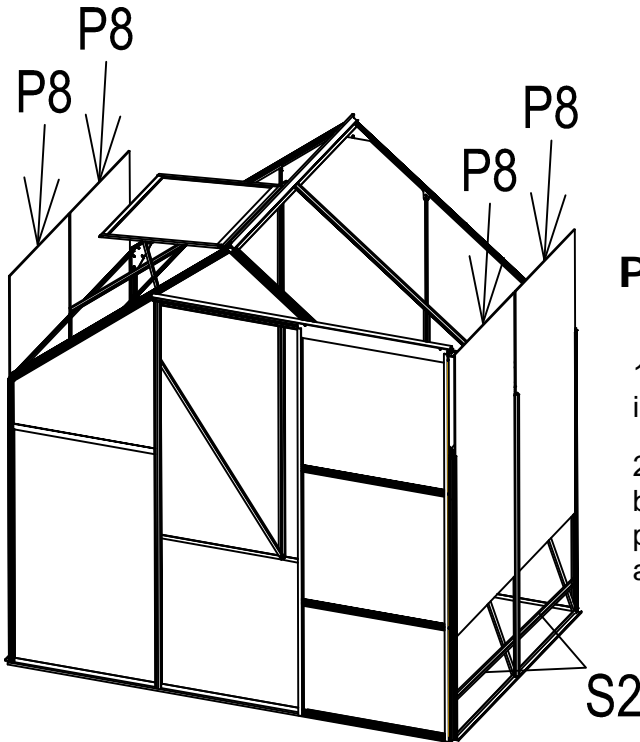


1. Assemble the six cross braces(22) and four cross braces(23) as shown using the pre-inserted hex bolt(F4).

PART	NO.	Qty.
	15	1
	B7	1
	T1	2
	T2	1
	22	4
	23	4
	B1	2
	B3	2
	F4	6

## Window Installation

## Wall Panels Installation

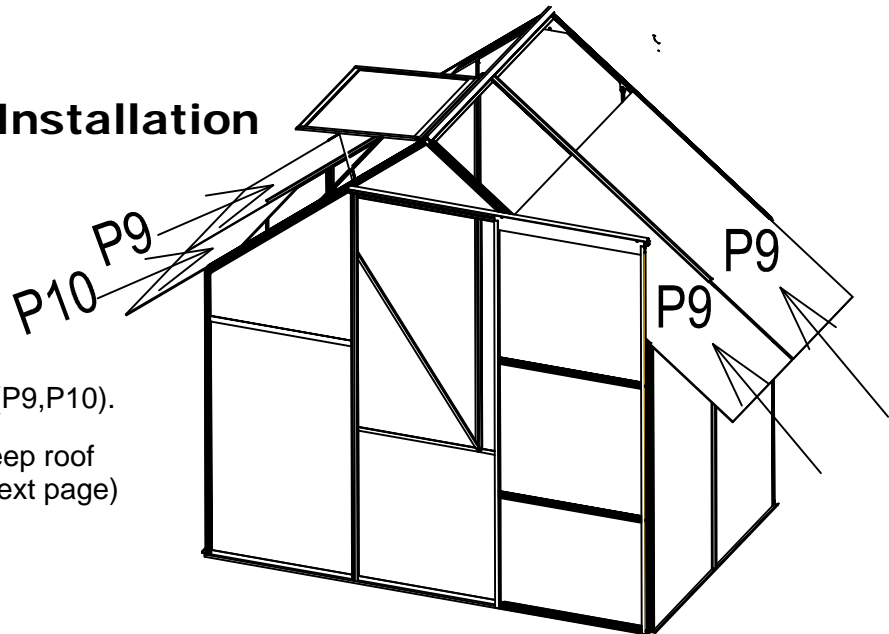


PART	NO.	Qty.
	S2	4

## Panel Seats Installation

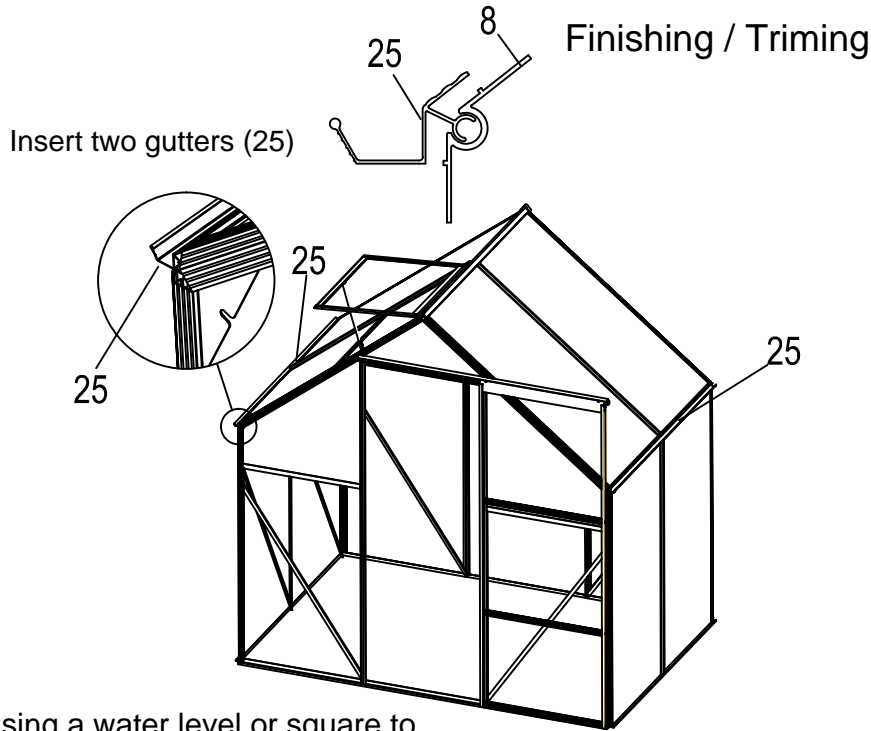
- 1) Insert the wall panels P8 into the grooves of 7# and 19#.
- 2) Button the part S2 onto the bottom of each P8 panel, then push the P8 panels to the bottom against the part 4#.

## Roof Panels Installation



1. Insert all roof panels (P9, P10).
2. Install gutter(25) to keep roof panels in place (see next page)

# Drain Profiles, Water Outlet and End Caps Assembly

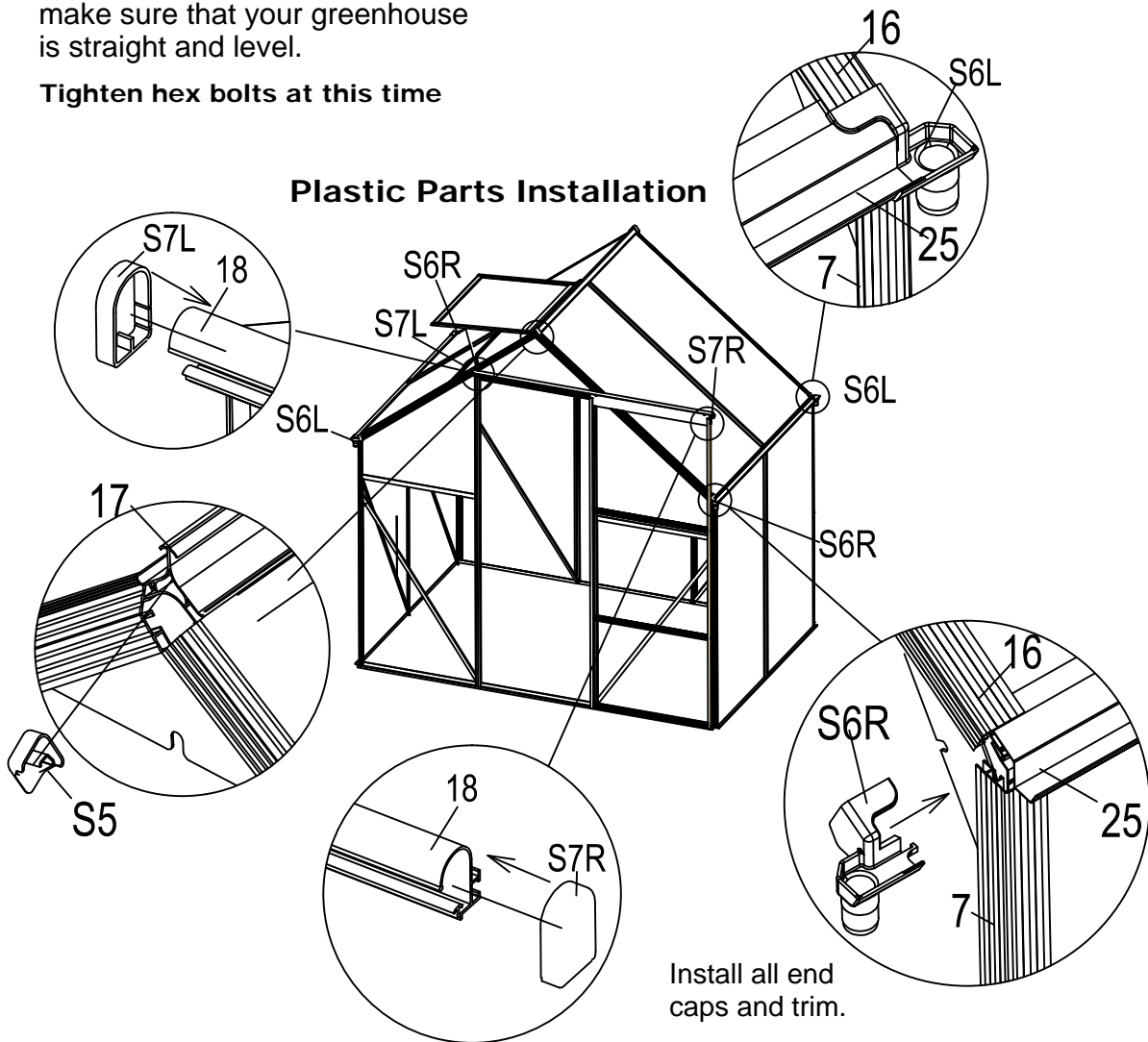


PART	NO.	Qty.
	25	2
	S5	2
	S6L	2
	S6R	2
	S7L	1
	S7R	1

Using a water level or square to make sure that your greenhouse is straight and level.

**Tighten hex bolts at this time**

## Plastic Parts Installation



#### Maintenance:

- 1.If the ground is not level, the unit may tilt to one side. If you find this is the case, please fix immediately to avoid damage.
- 2.Please prevent adding any increased weight to the product.
- 3.Avoid any vine/climbing plants, fruits, or vegetables from growing on the greenhouse as to not compromise the structure and durability of the product. If the structure is compromised, it can easily cause the frame to crack, break, or collapse.

#### PC Panel Maintenance:

- 1.When using the product, please do not use sharp objects on collision films to avoid cuts. Be careful not to have a sharp object touch the film as it may scratch.
- 2.If films rupture, you may use glue to repair or use transparent tape. Polyurethane adhesive is also available for repairs.
- 3.Clean films regularly to keep the light transmittance as clear as possible.
- 4.The boards/panels have flame retardant polycarbonate material applied to them and is recommended to keep away from fire to avoid softening or deformation.

#### Frame Maintenance:

- 1.The frames are made of aluminum alloy structure. If white spots or dirt is shown, please wipe with a wet cloth.  
White spots are normal in a wet/warm environment.
- 2.If there is any distorting with the calibration, please fix immediately. Any distortion can cause the skylight to fall.  
Please refer to the instruction manual for repairs.
- 3.If any connection piece rusts, change out the screws to ensure the connection part is firm and stable.

#### Weather Protection:

- 1.**WARNING:** If there is lightening, do not stay in or under the product. The frames are constructed of aluminum alloy, which is conductive, and may cause serious damage.
- 2.When wind power reaches 40mph or above, you may need to set up defense equipment and fix the greenhouse wall.  
To fix the walls, use a strong rope or cable and connect to the four angles of the anchors with a block inserted into the soil or tied to a nearby tree at least 4in.in diameter. When wind decreases, please remove safety measures of ropes.
- 3.Clear any leaves on top of greenhouse to reduce heat preservation.
- 4.During snowy months, please remove any snow from greenhouse to avoid any walls or roofs from collapsing.

# Outdoor Products

## 1-Year Limited Warranty Program

For a period of one (1) year after purchase, Hanover ("Manufacturer") will either repair or replace defective components in accordance with this Limited Warranty. This warranty is between Manufacturer and the original purchaser and is valid only when accompanied by the original purchaser's sales receipt showing original date of purchase and location of purchase. Replacements under this warranty revert back to the date of original purchase for future warranty.

Manufacturer or its authorized dealer can accept or reject warranty claims based on its findings. This warranty applies in normal residential use only and is not intended for commercial use. Manufacturer can make substitutions as required of materials, components, and sub-components of comparable value and utility. This warranty is limited to product repair or replacement (to be determined solely by Manufacturer). Warranty return is limited to only the single affected component.

This warranty covers only manufacturing defects and does not cover normal wear and tear, damage due to acts of nature, abuse or misuse, including chemical damage from suntan oil or other chemicals, exposure to extreme heat or cold, abrasion or excessive weight. This product is intended to be used in standard installations only. This warranty is invalid if the product is not used for intended purpose. Manufacturer disclaims liability for any aspect of installation and any inconvenience caused by a defective part of a component.

Certain items are not covered by this warranty. These include, but are not limited to the following:

1. Items subjected to abuse, including abuse intended to simulate failure.
2. Any part which merely exhibits normal wear yet functions essentially as new, including tears/rips, chips, scratches or stretching of materials and stitching.
3. Tears, rips, punctures, scratches or any damage caused by improper installation or use.
4. Fading and/or discoloration of materials resulting from exposure to the elements, chemicals, oils, fluids or any other cause are not covered.

To make a claim, contact us by the email address or the toll-free number below. Please have available a copy of the original sales receipt along with a brief description of the problem. Please also provide your email address and daytime telephone or cell phone #. All items may be charged actual freight costs plus \$15 for handling. Repairs or replacement will be made at the Manufacturer's option. ***Sales and use taxes, plus shipping and handling charges are the responsibility of the consumer.***

**THIS IS THE ENTIRE EXCLUSIVE EXPRESS LIMITED LIABILITY. THE MANUFACTURER NEITHER MAKES NOR IS RESPONSIBLE FOR ANY OTHER WARRANTIES, EITHER EXPRESS OR IMPLIED, INCLUDING THOSE OF RETAILING DEALERS. THIS EXCLUSIVE REMEDY IS LIMITED TO RECEIPT OF A CREDIT IN CONNECTION WITH THE REPAIR OR REPLACEMENT OF ANY PRODUCT OR COMPONENT DEEMED TO BE DEFECTIVE UNDER THE TERMS AND CONDITIONS AS STATED IN THIS WARRANTY. NEITHER HANOVER, THE PRODUCT MANUFACTURER NOR ITS AGENTS SHALL BE LIABLE IN ANY CASE FOR INCIDENTAL, INDIRECT, SPECIAL OR CONSEQUENTIAL DAMAGES RESULTING FROM THE USE OF THIS PRODUCT OR ARISING OUT OF ANY BREACH OF THIS WARRANTY OR NEGLIGENCE EVEN IF IT HAS BEEN ADVISED OF THE POSSIBILITY OF SUCH DAMAGES. EXCEPT AS OTHERWISE MAY BE REQUIRED BY LAW, THERE ARE NO OTHER EXPRESS OR IMPLIED WARRANTIES OTHER THAN THE WARRANTY DESCRIBED HEREIN, AND ALL OTHER WARRANTIES, INCLUDING ANY IMPLIED WARRANTY OF MERCHANTABILITY OR FITNESS FOR A PARTICULAR PURPOSE ARE EXPRESSLY DISCLAIMED.**

Contact Warranty Services at **1-877-397-5144**

Or email us at:

**ContactUs.Hanover-Products.com**

or

**www.Hanover-Products.com**

8/1/2019