

# Honeywell

**EN** Dehumidifier  
User Manual

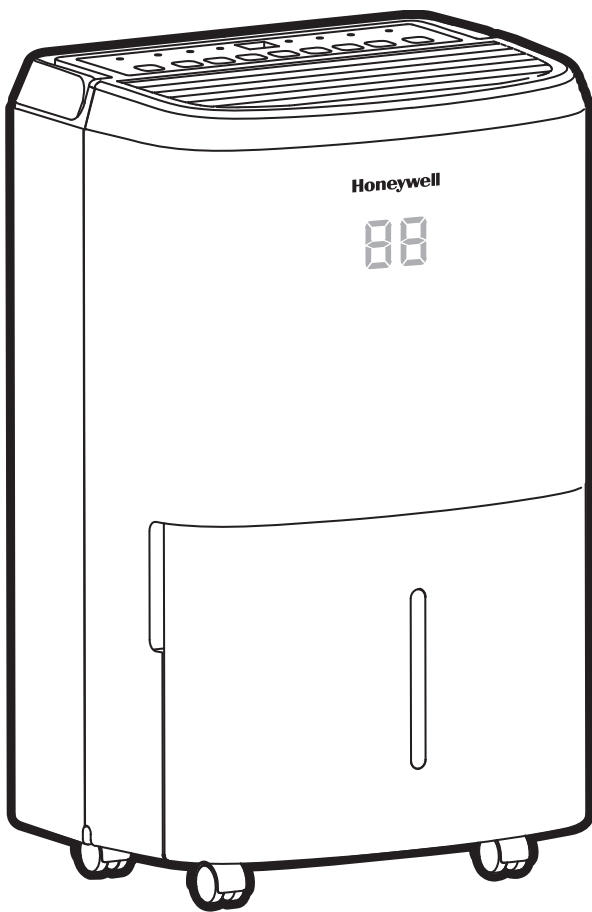
Read and save these instructions before use

**FR** Déshumidificateur  
Mode d'emploi

Lire ces consignes avant l'utilisation de l'appareil et les conserver

**ES** Deshumidificador  
Manual Del Propietario

Lea y guarde estas instrucciones antes de usar la unidad



---

Model / Modèle / Modelo:  
TP30WKN / TP50WKN /  
TP70WKN / TP70PWKN

---



ENERGY STAR® qualified units remove moisture with less energy than conventional dehumidifiers.

Unités ENERGY STAR® pour éliminer l'humidité avec moins d'énergie que les déshumidificateurs conventionnels.

Unidades con calificación ENERGY STAR® eliminan la humedad con menos energía que los deshumidificadores convencionales.

# THANK YOU

Thank you for purchasing a Honeywell Dehumidifier. This User Manual is intended to provide you with important information needed to set up, operate, maintain and troubleshoot this product.

## SAFETY RULES

### **WARNING -- READ AND SAVE THESE INSTRUCTIONS BEFORE USING THIS PRODUCT.**

The use of electrical products may create hazards that include, but are not limited to injury, fire, electrical shock. Failure to follow these instructions may damage and/ or impair its operation and void the warranty. In case there is any inconsistency or conflict between the English version and any other language version of the content of this material, the English version shall prevail.

### **When using electrical appliances, basic safety precautions should always be followed:**

- DO NOT touch the dehumidifier or the electrical plug with wet hands.
- Check the household voltage to ensure it matches the appliance's specification.
- Before operating, remove all packaging material and check for any damage that may have occurred during shipping.
- DO NOT operate any product with a damaged cord or plug.
- DO NOT use an extension cord with this appliance.
- DO NOT run power cord under carpeting, or cover it with rugs or runners. Keep the cord away from areas where it may be tripped over.
- Always unplug the dehumidifier before emptying the water tank.
- The water collected in the tank must be discarded. The water should never be used for drinking.
- Always unplug the dehumidifier and remove the water from the water tank before cleaning, servicing or relocating the unit.
- Remove the power cord from the electrical receptacle by grasping and pulling on the power cord plug-end only, never pull the cord.
- This appliance has been manufactured for use in domestic environments and must not be used for other purposes.
- DO NOT use the product in areas where gasoline, paint or other flammable goods and objects are used or stored.
- This dehumidifier is designed for indoor residential applications only. It should not be used for commercial or industrial applications.
- DO NOT attempt to repair or adjust any electrical or mechanical functions of the dehumidifier, as this may cause danger and void the warranty.
- DO NOT cover the air inlet or outlet on the appliance as this may cause the unit to fail.
- DO NOT insert or allow objects to enter any ventilation or exhaust opening as this may damage the product and could cause electrical shock or fire.

## SAFETY RULES (CONTINUED)

- DO NOT let children play with this appliance, packaging or included plastic bag.
- If the unit is damaged or it malfunctions, do not continue to operate it. Unplug the product from the electrical outlet. Refer to the troubleshooting section and contact the customer support center.
- Always place the dehumidifier on a leveled floor.
- Never install the product near a bathtub or any water container.
- Store in a dry area, away from direct sunlight, when not in use.
- This appliance and its packaging materials are not intended for use by persons (including children or elderly) with reduced physical, sensory or mental capabilities, or lack of experience and knowledge, unless they have been given supervision or instructions concerning the use of the appliance by a person responsible for their safety.
- Always grip the top handle and keep the unit upright when transporting from room to room – DO NOT tilt the product on its side or upside-down.
- If the dehumidifier was transported tilted on its side, you must position it upright again and wait at least 4 hours before using it.
- **WARNING:** To reduce the risk of fire or electric shock, do not use this appliance with any solid state speed control device.

# HOW A DEHUMIDIFIER WORKS

When the dehumidifier is switched ON, a fan pulls moisture-laden air into the dehumidifier where it passes through dehumidifying coils inside the unit. These coils condense moisture from the air and collect it in the water tank. The dry air is then exhausted from the dehumidifier. The air flows through the air vents of the dehumidifier into the room as dry, warm air.

**IMPORTANT:** The dehumidifier is designed to operate between 41°F (5°C) and 89°F (32°C). The dehumidifier's performance may be greatly reduced if room temperature is beyond this temperature range.

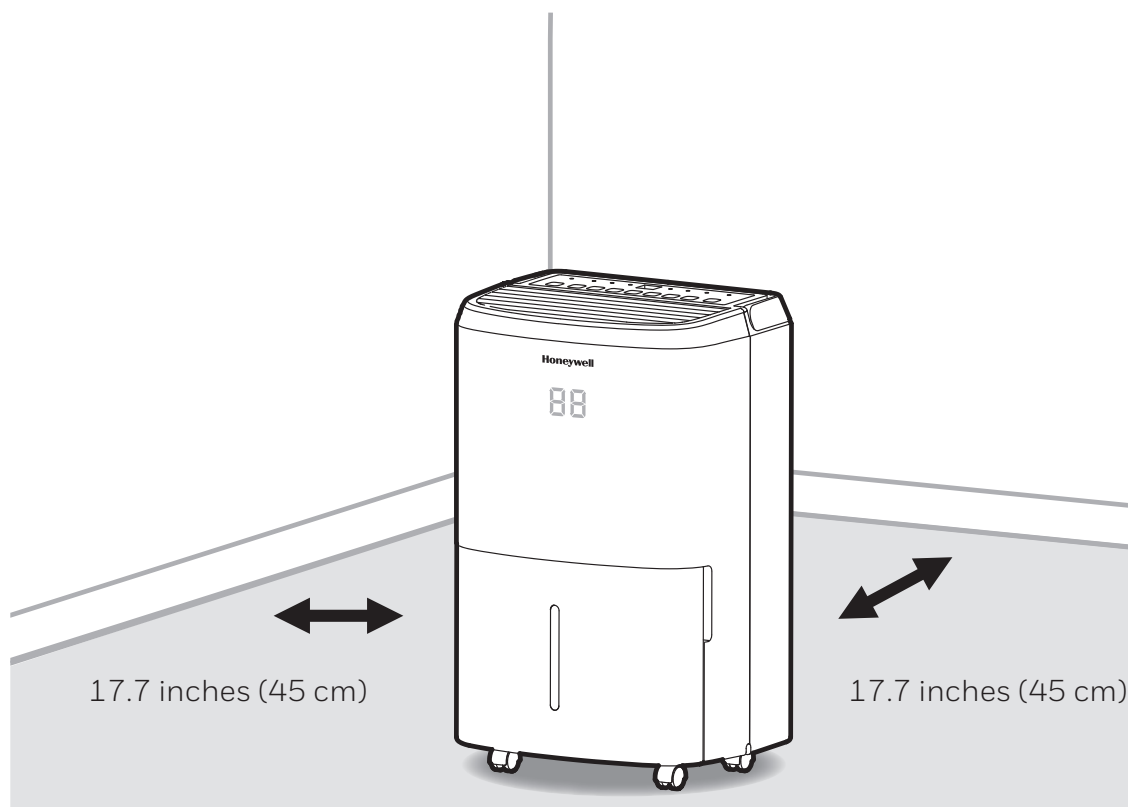
## SELECTING A LOCATION - IMPORTANT

- Before using the dehumidifier, place the unit UPRIGHT for at least 1 hour before use to allow the refrigerant to stabilize. If the unit was tilted on its side or upside-down during transportation, set the unit upright for 4 hours before use.
- For optimal efficiency, the dehumidifier must be operated in an enclosed area. Keep all doors, windows and other outside entrances to the room closed.



## SELECTING A LOCATION - IMPORTANT (CONTINUED)

- Place the dehumidifier in an area where the temperature will not drop below 41°F (5°C)
- Place the dehumidifier at least 17.7 inches (45 cm) away from other objects (e.g. curtains or furniture) that may restrict airflow from the back or through the air vents of the unit.
- The dehumidifier must be positioned on a level floor.

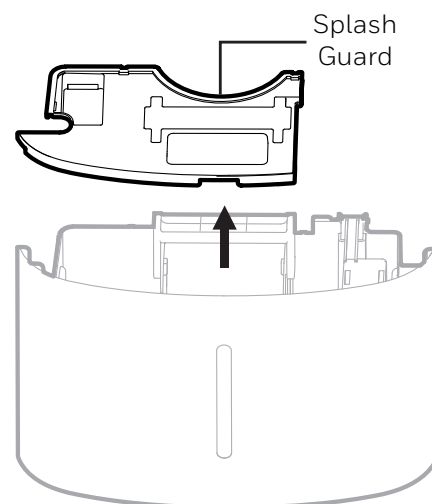


**IMPORTANT:** The effectiveness of the dehumidifier can be influenced by different factors. One factor is the rate at which new, moisture-laden air enters the room and the amount of air circulating in and out of the area to be dehumidified. For example, if a door to a basement is constantly opened, letting new, moisture-laden air into the room, dehumidification will take longer than if the door was kept closed. If the dehumidifier is in a room with a storage closet or cabinets, it will have little or no effect in drying the inside of the storage closet or cabinets unless there is adequate circulation of air in and out of these spaces. To dehumidify these spaces, open the storage door or cabinet doors to allow air circulation. You may find that installing a second dehumidifier may be required for larger enclosed areas.

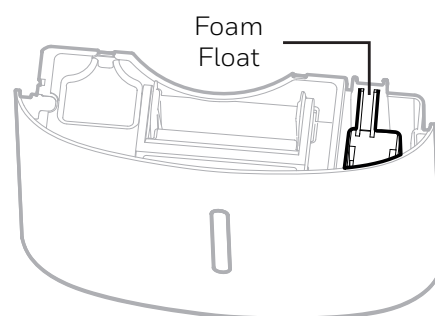
# UNPACKAGING THE DEHUMIDIFIER

- This Dehumidifier is packaged with a colored or transparent tape to secure some parts during transportation. Remove the colored or transparent packaging tape from the unit.

1. Gently pull the water tank from out of the dehumidifier
2. Remove the splash guard from the top part of the water tank
3. Take out the power plug, drain hose and other accessories, which is placed inside the tank of the dehumidifier.
4. Once all accessories have been removed, replace the splash guard onto the top part of the water tank. Make sure that the tank is properly positioned.

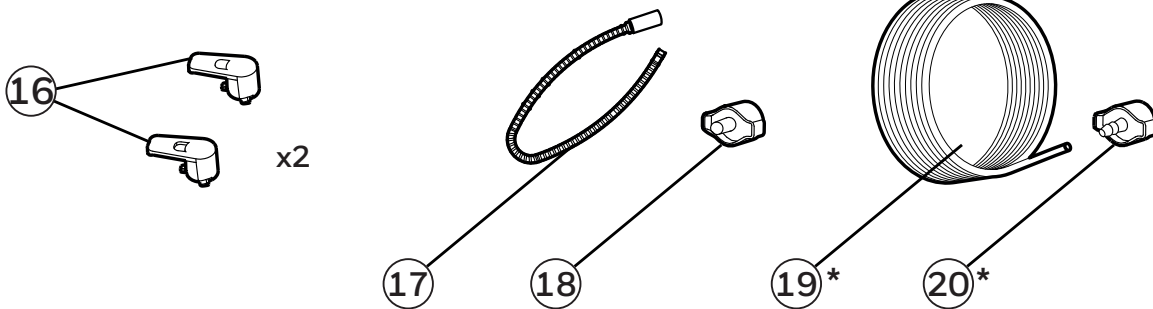
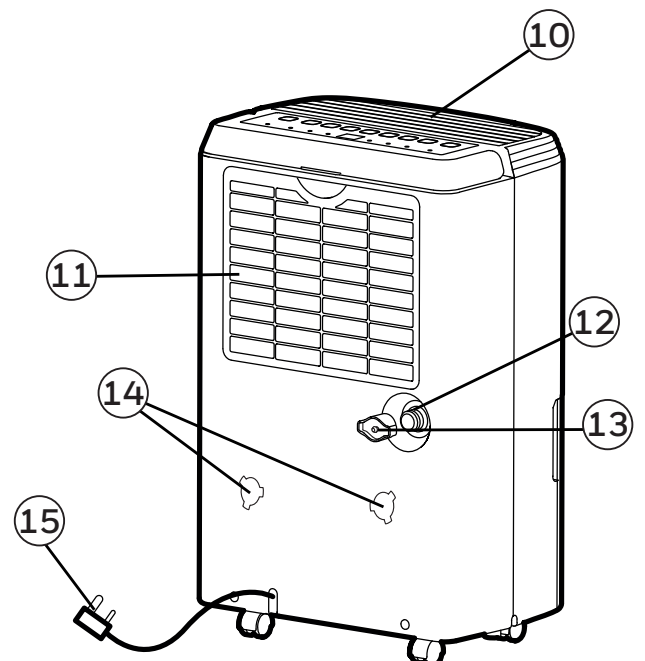
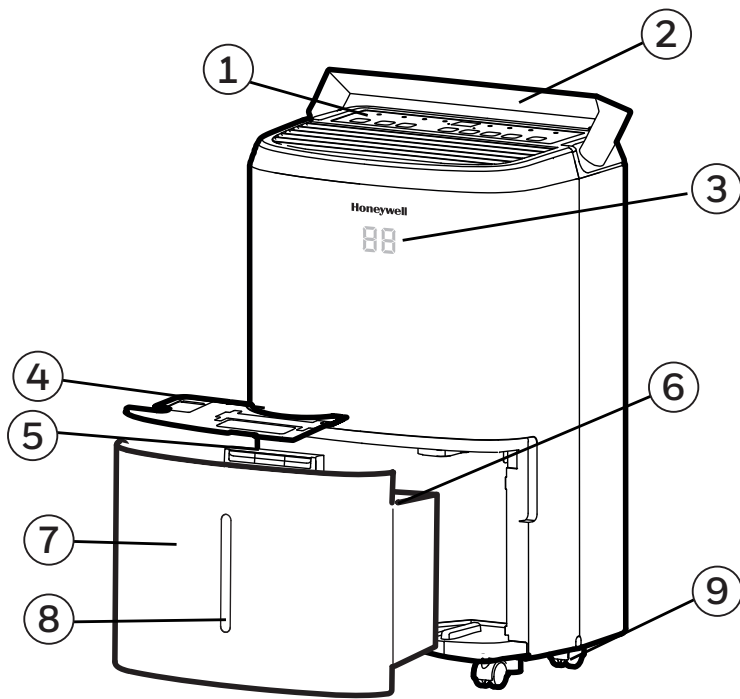


- There is a Foam Float inside the water tank that senses the water level to automatically stop dehumidification when the water tank is full. Make sure the Foam Float is positioned correctly inside the water tank by ensuring it lies level with the top edge of the water tank.



**DO NOT REMOVE THIS FOAM FLOAT.**

# PARTS DESCRIPTION



- |                          |                                     |
|--------------------------|-------------------------------------|
| 1) Control Panel         | 10) Dehumidified Air Exhaust Vent   |
| 2) Handle                | 11) Washable Dust Filter            |
| 3) LED Display           | 12) Direct Drain Outlet             |
| 4) Splash Guard          | 13) Direct Drain Cap                |
| 5) Water Tank Handle     | 14) Mounting Holes for Cord Winders |
| 6) Foam Float            | 15) Power Cord & Plug               |
| 7) Water Tank            | 16) Cord Winders                    |
| 8) Water Level Indicator | 17) Continuous Water Drain Tube     |
| 9) Casters               | 18) Continuous Water Drain Cap      |

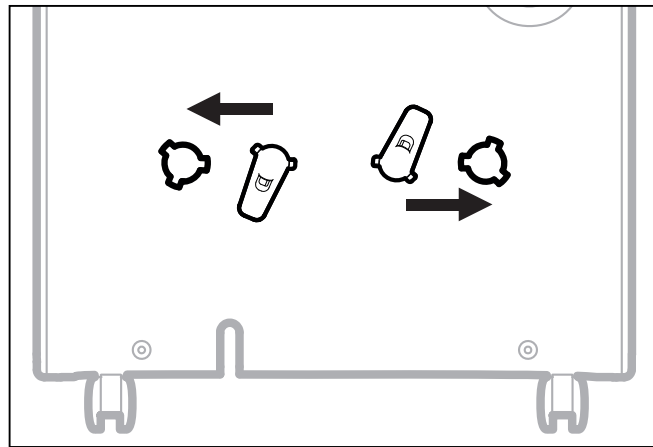
**\* THIS IS ONLY FOR MODEL TP55PN / TP70P / TP70PN WITH BUILT-IN DRAIN PUMP**

- |                          |                         |
|--------------------------|-------------------------|
| 19) Auto Drain Pump Tube | 20) Auto Drain Pump Cap |
|--------------------------|-------------------------|

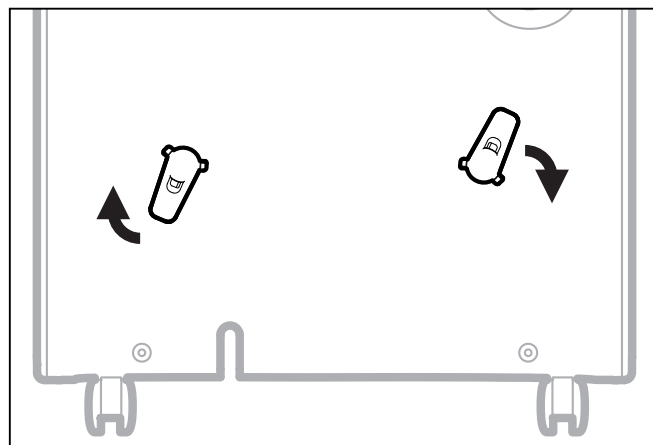
# INSTALL THE CORD WINDER

Once you have removed the cord winder accessories from the water tank - follow the steps below.

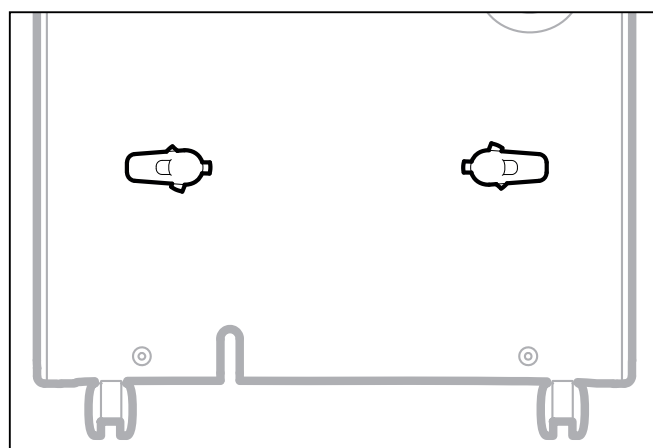
Step 1: Line up the cord winder pieces to the mounting holes.



Step 2: Rotate 45-degrees clock-wise.



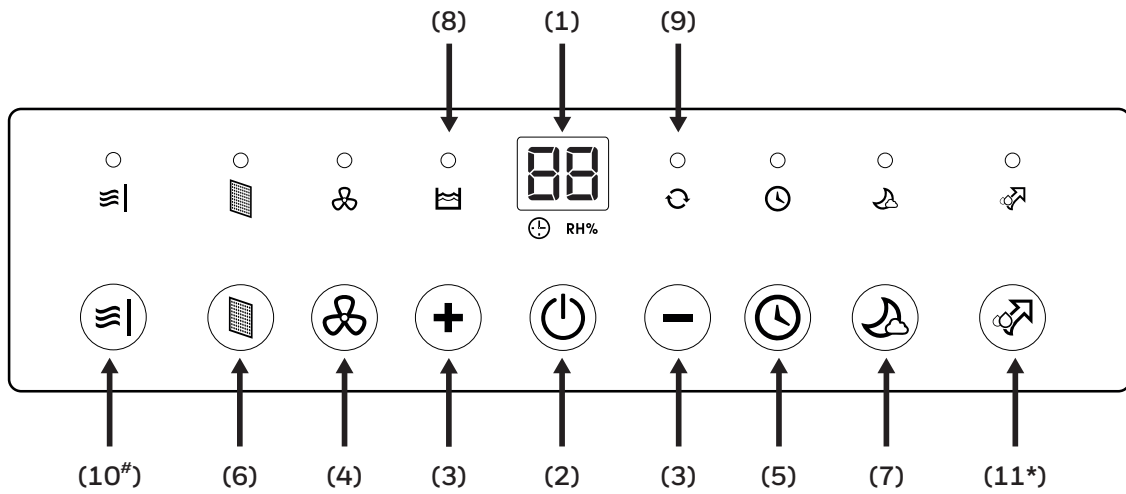
Step 3: Once you hear “click”, then you know the cord winder is ready for use.



**NOTE:** Once the installation of the cord winder has been completed. The cord winder cannot be removed. The installation is permanent.



## CONTROL PANEL



- |                                  |                               |
|----------------------------------|-------------------------------|
| 1) Display Screen                | 6) Filter Alert               |
| 2) Power Control                 | 7) Sleep Mode                 |
| 3) Humidity / Timer Set Controls | 8) Water Full Indicator Light |
| 4) Fan Speed Control             | 9) Continuous Operation Light |
| 5) Timer Control                 |                               |

**#THIS IS ONLY FOR MODEL TP50H / TP50HN WITH PTC TECHNOLOGY**

- 10) PTC Mode

**\*THIS IS ONLY FOR MODEL TP55PN / TP70P / TP70PN WITH BUILT-IN DRAIN PUMP**

- 11) Auto Drain Pump Mode

## FUNCTION BUTTONS

### POWER CONTROL

Press  to switch the dehumidifier ON or OFF.

### HUMIDITY CONTROL SETTING



 RH%



When the unit is switched ON, the Display Screen shows the current humidity percentage.

Press **+** or **-** to select your preferred humidity level. The humidity is adjusted in increments of 5% by pressing **+** or **-**. The adjustable Relative Humidity (RH) range is between 30% RH to 90% RH. Ten seconds after setting the preferred humidity setting, the display will revert back to displaying the current humidity.



**Recommended Settings:** It is recommended to leave the unit running at 30% humidity at High Fan Speed during the first 2 to 3 days until damp odors are removed. After a few days when the Relative Humidity has been reduced to a more comfortable level, press **+** or **-** to choose a higher RH% that maintains a comfortable humidity level thereafter. A recommended healthy humidity level is between 40% and 50%.

**NOTE:** The humidity sensor senses current humidity in the surrounding area. It is normal for a few degrees of variance to the humidity sensitivity from the sensor.

### CONTINUOUS MODE

To activate the Continuous Mode, press the **-** button on the Display Screen until  appears. The  indicator light will be illuminated. The unit will run continuously.

### WATER TANK FULL ALERT

When the Water Tank is full, the  indicator will be illuminated. The unit will beep for 3 seconds. The compressor will shut off, and the fan will stop for a few minutes. To switch off the  indicator light, empty the water tank and when replacing it ensure the tank is secured properly in place.

**IMPORTANT:** Do not place the Water Tank on the floor when full. In case of an uneven base which may cause the tank to spillover.




## FUNCTION BUTTONS (CONTINUED)

### TIMER CONTROL




The dehumidifier can be set to automatically switch ON or OFF for a selected period of time (between 0.5-24 hour intervals). The Timer hours selection is displayed on the Display Screen.



**NOTE:** Before setting the Timer control, make sure there is power to the unit.

#### Auto-Off Timer:

While the unit is running, press , the timer  indicator light will flash, press **+** or **-** to select the number of hours (0.5-24 hours) you want the unit to run before it switches off. In 5 seconds without the operation, the Timer start function, the timer  indicator light is illuminated. Timer must be set again after each use.



#### Auto-On Timer:

When unit is in Standby Mode, press , the timer  indicator light will flash, press **+** or **-** to select the number of hours (0.5-24 hours) until you want the unit to automatically start running. In 5 seconds without the operation, the Timer start function, the timer  indicator light is illuminated. The previous fan speed and humidity setting will be maintained. The unit will turn on and continue running until the water tank is full (unless the unit is set up for continuous draining) or until you switch it off manually. Timer must be set again after each use.

**NOTE:** To cancel any Timer settings, simply press  again, and the timer  indicator light will disappear.

**NOTE:** The solid red Power light indicates the unit is on Standby Mode.

### FAN SPEED CONTROL

There are two fan speeds - High and Low. When, the  indicator light is illuminated, the unit is operating on High speed. When the  indicator light is off, and the unit is on - the unit is operating on Low speed.




### FILTER ALERT

When the Filter Alert Light is ON, it is time to clean the filter. Switch the unit OFF and carefully remove the filter from the unit and clean. Replace the filter and switch ON the unit.



The Filter Alert Light should not be illuminated until the filter requires cleaning again. The frequency of filter cleaning depends on room environment conditions. Some rooms may require changing more frequently than others.

## FUNCTION BUTTONS (CONTINUED)

### SLEEP MODE



The LED display brightness will be reduced when the unit is in Sleep Mode. Press the  to activate the Sleep Mode. When Sleep Mode is activated the  indicator light will be illuminated. There is a one-minute window period in which you can adjust the settings such as humidity and fan speed. After one minute has lapsed, the top display will shut off, except the  indicator light. Press any button to deactivate Sleep Mode.

### PTC HEATER MODE#

Press the  to activate PTC Heater Mode, the  indicator light is illuminated. The PTC Heater function is suitable for environments with a temperature of 0°F to 41°F (0°C to 5°C). This technology helps to add heat to the dehumidifying process which helps to improve the efficiency, and increases the dehumidifying capacity of the unit.

**#THIS IS ONLY FOR MODEL TP50H / TP50HN WITH PTC TECHNOLOGY**

### AUTO DRAIN PUMP MODE\*

The Auto Drain Pump function helps to remove condensation vertically and horizontally. Press the  to activate the Pump function, the  indicator light will be illuminated.

**\*THIS IS ONLY FOR MODEL TP55PN / TP70P / TP70PN WITH BUILT-IN DRAIN PUMP**

## AUTO RESTART FUNCTION

This unit is equipped with an Auto Restart feature. When there is a power outage, the dehumidifier will automatically resume all its previous settings upon regaining power.

## AUTOMATIC DEFROST


Frost may build up on the internal coils of the unit. When there is frost build up, the internal compressor will turn off and the fan will continue to run until the frost has melted. Once the internal coils have defrosted and dried, the compressor or fan will automatically restart and dehumidifying will resume.

## DRAINING THE WATER



**WARNING:** Always drain and discard water collected from dehumidification. The water is not clean and cannot be used for drinking.

### 1. Draining water collected in the Water Tank

The condensed water can be collected directly into the water tank. When the water tank is full, the dehumidifier will automatically shut OFF and the  indicator will illuminate on the control panel followed by a beeping sound.

**IMPORTANT:** Do not move the dehumidifier when the Water Tank is full as it will be heavy and can cause water spillage.

1.1 Locate the water tank at the front of the dehumidifier.  
Gently pull the water tank out.

1.2 Grip the handle inside the water tank and carry the water tank to a sink to empty.

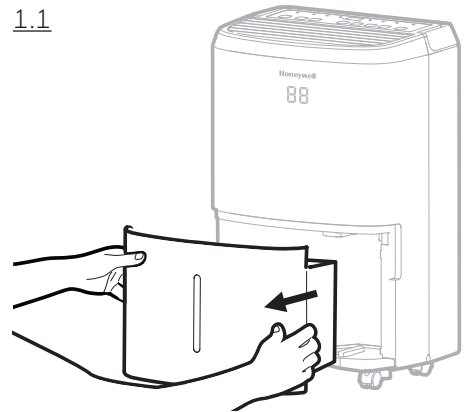
1.3 Replace the empty water tank back into the front of the dehumidifier. Please make sure that the tank is properly positioned. The safety feature ensures that any misalignment of the tank and the unit will prevent the unit from turning back on.

**IMPORTANT:** Improper alignment or positioning of the water tank will cause the unit to pause operation, the warning light on top of the dehumidifier will illuminate followed by a beeping sound, until the water tank is fitted properly.

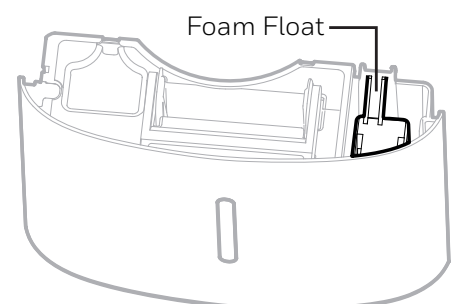
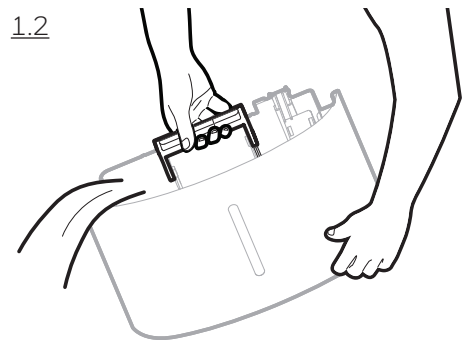
**NOTE:** There is a Foam Float inside the water tank that senses the water level to automatically stop dehumidification when the water tank is full. Make sure the Foam Float is positioned correctly inside the water tank by ensuring it lies level with the top edge of the water tank.

**DO NOT REMOVE THIS FOAM FLOAT.**

1.1



1.2

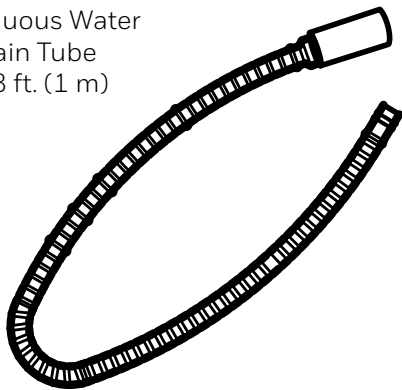


## DRAINING THE WATER (CONTINUED)

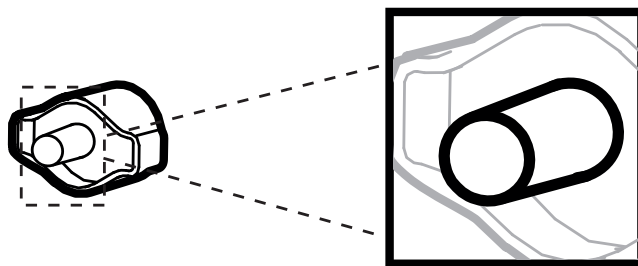
### 2. Continuous Water Drainage – Using a Continuous Water Drain Tube

A continuous water drain tube is included with this unit. To activate the continuous water draining function, you will require a suitable water drain (e.g. sink or drain hole at floor level) near the dehumidifier.

Continuous Water  
Drain Tube  
3.28 ft. (1 m)

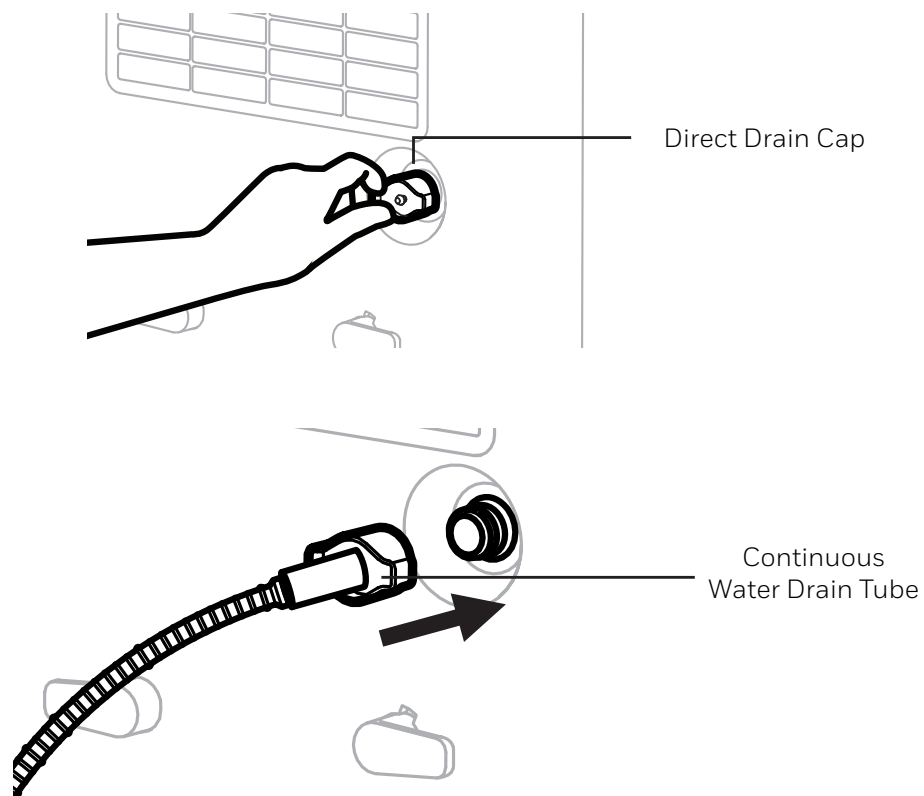


Continuous Water Drain Cap



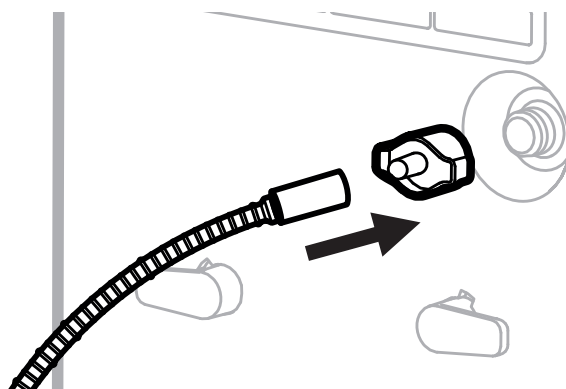
**NOTE:** The Continuous Drain Tube and Continuous Drain Cap come pre-installed.

- 2.1 Locate the drain outlet at the back of the unit. Unscrew and remove the Direct Drain Cap. Insert and screw the Continuous Water Drain Tube into the Direct Drain Outlet.

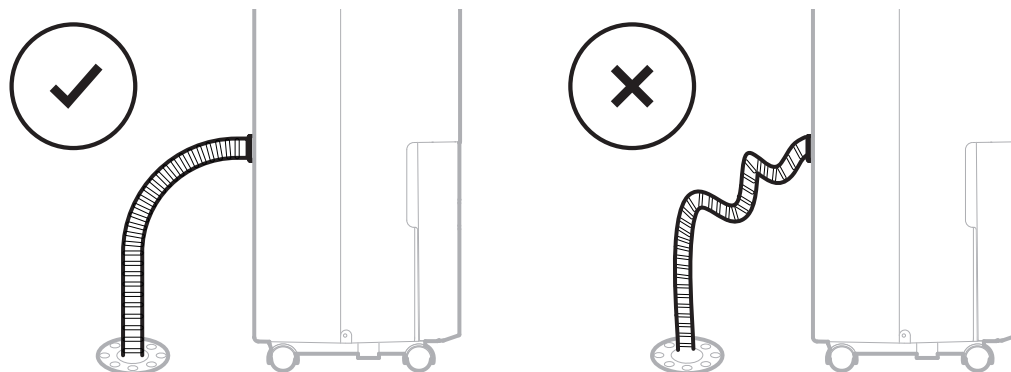


## DRAINING THE WATER (CONTINUED)

2.2 If there are leaks, the Continuous Water Drain Tube and Cap may have loosened and may not be connected properly. Disconnect, replace and tighten again.



2.3 Position the other end of the Continuous Water Drain Tube in the sink or drain. Make sure the tube is not bent or kinked which might stop the water flow. Make sure the tube is secured over the drain and will not fall out of place causing unwanted water spillage.



**IMPORTANT:** Make sure water can flow down the Continuous Water Drain Tube by keeping the tube angled down and free of bends or kinks.

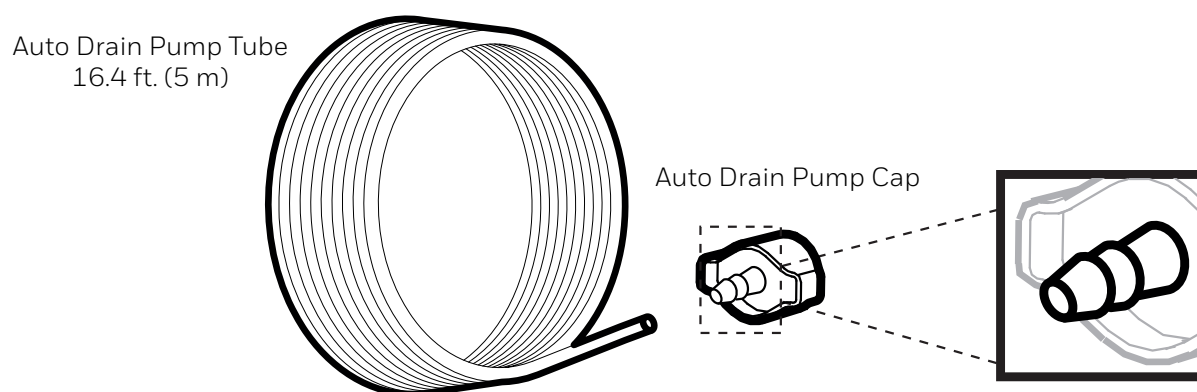
**IMPORTANT:** If the unit is placed on uneven ground, or the Drain Tube is installed incorrectly, the water may fill the water tank and stop running. Please check whether the ground is uneven and reinstall the Drain Tube.

## DRAINING THE WATER (CONTINUED)

### 3. Continuous Water Drainage – Using the Auto Drain Pump option

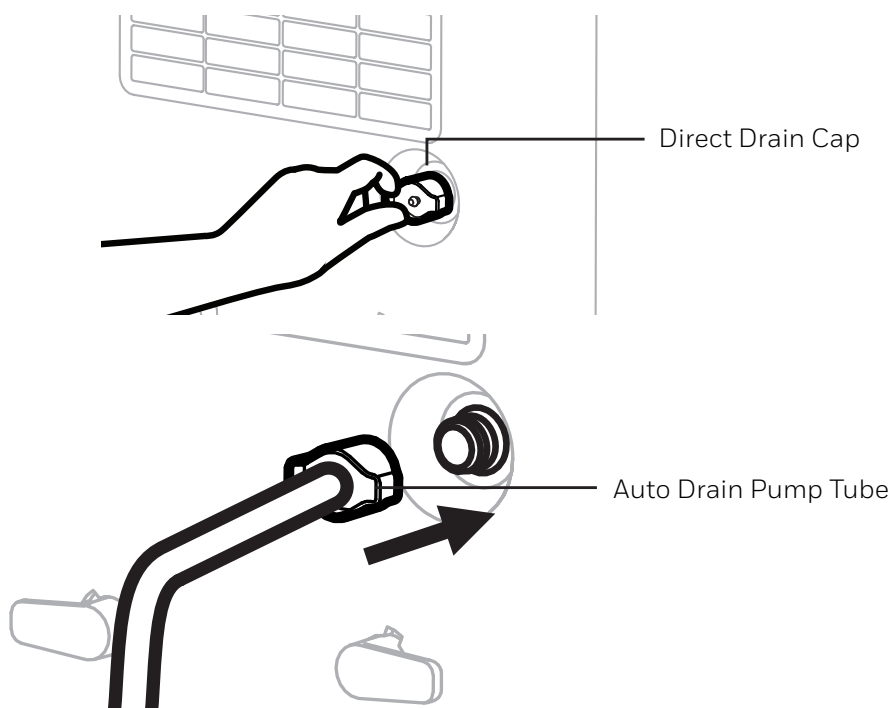
**\*THIS IS ONLY FOR MODEL TP55PN / TP70P / TP70PN WITH BUILT-IN DRAIN PUMP**

The Auto Drain Pump is available if you want to use the continuous drain function, but the drain is further away, or located above the dehumidifier. The Auto Drain Pump Tube can be attached to the Direct Drain Outlet located on the back side of the dehumidifier. When the water level in the water tank reaches a certain level, the drain pump will automatically pump the water out of the tank to the drain. This allows you to drain water condensation vertically or horizontally, even if the drain is located above the dehumidifier.



**NOTE:** The Auto Drain Pump Tube and Auto Drain Pump Cap come pre-installed.

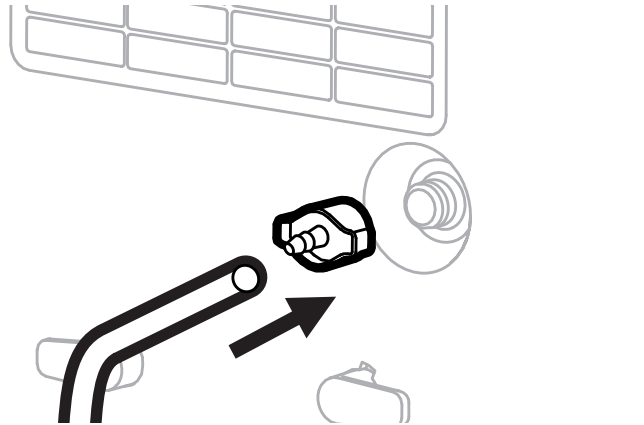
3.1 Locate the drain outlet at the back of the unit. Unscrew and remove the Direct Drain Cap. Insert and screw the Auto Drain Pump Tube into the Direct Drain Outlet.





## DRAINING THE WATER (CONTINUED)

3.2 If there are leaks, the Auto Drain Pump Tube and Auto Drain Pump Cap may have loosened and may not be connected properly. Disconnect, replace and tighten again.



3.3 To activate the Pump function, press the  indicator. Once on, the  indicator light will be illuminated.

3.5 Place the other end of the tube into the sink or drain. The water can be pumped up to 16.4 ft (5 m) vertically or horizontally.

**NOTE: DO NOT** use an alternative drain tube that is longer than the one provided with the unit.

*\*Auto Drain Pump Tube is included in Dehumidifier models with Auto Drain Pump feature only.*

## CLEANING & MAINTENANCE

**WARNING:** Always switch OFF the dehumidifier and unplug it from the electrical outlet before attempting any cleaning or maintenance of this product.

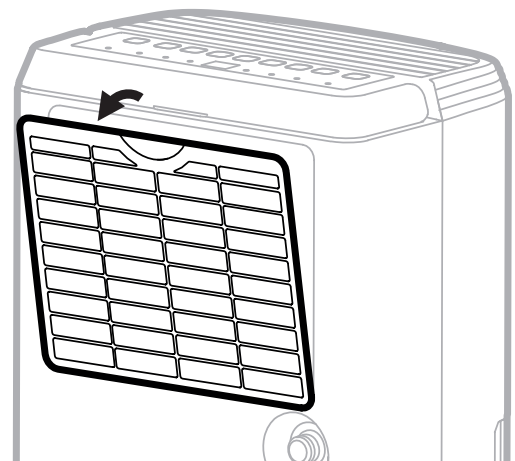
### Appliance Maintenance:

- Switch OFF the appliance before disconnecting the power supply.
- Only use a soft cloth to clean the appliance.

### Dust Filter Maintenance:

The Dust Filter located at the back of the unit helps to remove dust particles from the air. A dirty filter clogged by dust particles can reduce the efficiency of the dehumidifier. For optimum dehumidification, it is recommended to clean the dust filter every 2 weeks:

1. Switch off and unplug the dehumidifier from the electrical outlet.
2. Carefully pull out the dust filter from the dehumidifier.
3. Rinse the dust filter under running water, or vacuum away the dust with a vacuum cleaner.
4. After cleaning the dust filter, dry in a cool, shaded place, then carefully reinstall into the unit.



### End of Season Storage & Maintenance:

#### If the appliance will not be used for an extended period of time:


- Switch OFF the unit and unplug from the electrical power outlet.
- Empty the water tank and let it dry. If your dehumidifier is connected to the continuous drain hose, you must disconnect the hose, dry and then replace the drain cap back into the drain outlet.
- Remove the air filter and clean with water. Let the air filter dry and reinstall back into the unit.
- Make sure all parts of the dehumidifier and accessories are dry before storage.
- Cover the dehumidifier with a cloth/ plastic bag before storage, to protect the surface from dust and scratches.
- It is recommended to coil the power cord and store it off the floor to ensure it is protected from bends and kinks.
- Store the unit upright in a dry location, away from direct sunlight.

# TROUBLESHOOTING GUIDE

The following troubleshooting guide addresses the most common problems. If problems persist, call customer service.

PROBLEM	POSSIBLE CAUSE	SOLUTION
Dehumidifier does not start	No electricity.	Check for power.
	The power cord is not properly plugged in.	Remove and reconnect the power cord.
	The safety switch activated on the electrical plug.	Reset the safety switch and wait for 3 minutes to pass. Contact customer service if problem persists.
	The water tank is not in the correct position.	Position the water tank correctly into the unit. Unit will not operate until the water tank is secure in place.
Unit runs but the humidity level does not decrease	The humidity level setting is too high.	Decrease the humidity level setting.
	A door or window is open, letting in new moisture.	Make sure all windows or doors to the outside are closed and tightly sealed.
	There are other sources of humidity in the room (e.g. boiling water in pot).	Switch on the dehumidifier when these sources are not present.
	The temperature in the room is too low.	The dehumidifier is designed to operate between 41°F (5°C) and 89°F (32°C). Moisture removal is greatly reduced if room temperatures exceed this temperature range.
	The dust filter is dirty/ blocked.	Clean the dust filter.
	Air outlet or intake is blocked.	Remove blockage.

# TROUBLESHOOTING GUIDE (CONTINUED)

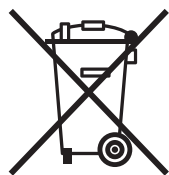
PROBLEM	POSSIBLE CAUSE	SOLUTION
Unit runs but the humidity level does not decrease	Insufficient time for the dehumidifier to remove moisture.	After initial installation, allow 24 hours to maintain desired dryness.
Dehumidifier runs constantly/ does not stop	Area to be dehumidified is too large.	The capacity of your dehumidifier may not be adequate for the room it is used in. It is recommended to add an extra dehumidifier for large areas.
	A door or window is open, letting in new moisture.	Make sure all windows or doors to the outside are closed and tightly sealed.
Water Tank Full  is illuminated and the unit is beeping	The water tank is full.	Empty the water tank.
	The water tank is not in the correct position.	Position the water tank correctly into the unit. Unit will not operate until the water tank is secure in place.
The unit is blowing cold air out of the top vent	The purpose of the top air vent is to distribute air into the room.	The temperature of the air from the vent depends on the room environment and other factors. It can fluctuate and this is normal. No action required.
Frost appears on the coils	Dehumidifier has been recently turned on in low room temperatures (usually below 41°F (5°C)).	This is normal. Frost will disappear in an hour or so after the dehumidifier is switched OFF.
Connected the continuous drain but the water condensation is not draining out the tube	Some floors may have an uneven surface which may affect the continuous drainage function	Raise the front of the Dehumidifier ½ to 1 inch (1.27 cm to 2.54 cm) from the floor. The water condensation will drain out the back hose and not into the bucket.

# TROUBLESHOOTING GUIDE (CONTINUED)

PROBLEM	POSSIBLE CAUSE	SOLUTION
Water on the floor	The garden hose/ drain hose may be loose.	Check the connections between the hose and the drain outlet on the unit. See Continuous Water Drainage section.
	You intended to use the water tank to collect water but the continuous drain hose is still connected.	Disconnect the hose and replace the rubber stopper and drain cap if using the water tank to collect water. See Continuous Water Drainage section.
Noise	Fan is working.	Wind from the fan can create sounds during operation. This is a normal sound.
	Compressor is working.	There is a sound when the compressor turns on. The compressor will activate periodically based on humidity settings. This is normal.

# ERROR CODE GUIDE

CODE	POSSIBLE CAUSE	NOTE
P1	Water tank pull out	This only appears for model TP55PN / TP70P / TP70PN with Built-in Drain Pump. Position the water tank correctly into the unit. Unit will not operate until the water tank is secure in place.
EH	Humidity sensor failure	Please contact the service center.
E1 / E2	Temperature sensor failure	Please contact the service center.
E3	Gas leakage	<p>If E3 appears, Please the check the ambient temperature range whether below 89.6°F (32°C).</p> <p>If the ambient temperature over 89.6°F (32°C) place the unit below 86°F (30°C) for 2 hours before running the Dehumidifier again.</p> <p>If the E3 appears again in 2 hours, please contact the service center.</p>



Electrical products should be properly disposed of. Please recycle where facilities exist. Check with your local authority or retailer for recycling.

Merci d'avoir acheté un déshumidificateur Honeywell. Ce manuel d'utilisation est destiné à vous fournir des informations importantes nécessaires pour mettre en place, exploiter, entretenir et dépanner ce produit.

## RÈGLES DE SÉCURITÉ

### ATTENTION -- LIRE ET CONSERVER CES INSTRUCTIONS AVANT D'UTILISER CE PRODUIT.

L'utilisation de produits électriques peut créer des risques qui incluent, sans s'y limiter, des blessures, un incendie, un choc électrique. Le non-respect de ces instructions peut endommager et/ou entraver le fonctionnement du produit et annulera la garantie. En cas d'incohérence ou de conflit entre la version anglaise et toute autre version linguistique du contenu de ce document, la version anglaise prévaudra.

**Lorsque vous utilisez des appareils électriques, des précautions de sécurité de base doivent toujours être suivies :**

- NE PAS toucher le déshumidificateur ou la fiche électrique avec les mains mouillées.
- Vérifier la tension pour assurer qu'elle correspond aux caractéristiques de l'appareil.
- Avant l'utilisation, enlever tous les matériaux d'emballage et vérifier la présence de dommages qui auraient pu survenir pendant le transport.
- NE PAS utiliser un produit avec un cordon ou une fiche endommagé(e).
- NE PAS utiliser un câble de rallonge avec cet appareil.
- NE PAS faire fonctionner le cordon d'alimentation sous un tapis, ou le couvrir avec des tapis ou des protège-câbles. Gardez le cordon loin des endroits où il est possible de trébucher dessus.
- Toujours débrancher le déshumidificateur avant de vider le réservoir d'eau.
- L'eau recueillie dans le réservoir doit être jetée. L'eau ne doit jamais être utilisée pour la boisson.
- Toujours débrancher le déshumidificateur et retirez l'eau du réservoir d'eau avant de le nettoyer, ou de déplacer l'appareil.
- Retirez le cordon d'alimentation de la prise électrique en saisissant et en tirant sur la fiche, ne tirez jamais sur le cordon.
- Cet appareil a été fabriqué pour être utilisé dans des environnements domestiques et ne doit pas être utilisé à d'autres fins.
- NE PAS utiliser le produit dans des zones où de l'essence, de la peinture ou d'autres produits et objets inflammables sont utilisés ou stockés.
- Ce déshumidificateur est conçu pour une utilisation domestique intérieure seulement. Il ne doit pas être utilisé dans un cadre commercial ou industriel.
- NE PAS tenter de réparer ou de régler les fonctions électriques ou mécaniques du déshumidificateur, comme cela peut représenter un danger et annulera la garantie.
- NE PAS couvrir l'entrée d'air ou la sortie de l'appareil, car cela pourrait causer une panne de l'appareil.
- NE PAS insérer ou laisser des objets pénétrer dans l'entrée de la ventilation ou de l'évacuation car cela pourrait endommager le produit et provoquer un choc électrique ou un incendie.

- NE PAS les enfants jouer avec cet appareil, l'emballage ou sac en plastique inclus.
- Si l'appareil est endommagé ou fonctionne mal, ne pas continuer à le faire fonctionner. Débranchez l'appareil de la prise électrique. Reportez-vous à la section sur le dépannage et contactez le centre des services à la clientèle.
- Toujours placer le déshumidificateur sur un sol de niveau.
- Ne jamais installer le produit près d'une baignoire ou d'un réservoir d'eau.
- Conserver dans un endroit sec, à l'abri des rayons du soleil, en cas de non utilisation.
- Cet appareil et ses matériaux d'emballage ne sont pas destinés à être utilisés par des personnes (y compris les enfants ou les personnes âgées) dont les capacités physiques, sensorielles ou mentales sont réduites, ou qui manquent d'expérience et de connaissances, à moins qu'elles aient été surveillées ou aient reçu des instructions concernant l'utilisation de l'appareil par une personne responsable de leur sécurité.
- Toujours saisir les poignées latérales et garder l'appareil en position verticale lors du transport d'une pièce à une autre. NE PAS incliner le produit sur le côté ou à l'envers.
- Si le déshumidificateur a été transporté ou incliné sur le côté, vous devez le positionner à la verticale et attendre au moins 4 heures avant de l'utiliser.
- **AVERTISSEMENT:** Pour réduire le risque d'incendie ou de choc électrique, ne pas utiliser cet appareil avec un dispositif de contrôle de vitesse à l'état solide.



# COMMENT UN DÉSHUMIDIFICATEUR FONCTIONNE

Lorsque le déshumidificateur est en marche, un ventilateur aspire l'air chargé d'humidité dans le déshumidificateur où il passe à travers les bobines de déshumidification à l'intérieur de l'appareil. Ces bobines condensent l'humidité de l'air et le collecte dans le réservoir d'eau. L'air sec est ensuite évacué par le déshumidificateur. L'air circule par les bouches d'air du déshumidificateur dans la pièce en tant qu'air chaud et sec.

**IMPORTANT:** le déshumidificateur est conçu pour fonctionner entre 41°F (5°C) et 89°F (32°C). Les performances du déshumidificateur peuvent être considérablement réduites si la température ambiante dépasse cette plage de température.

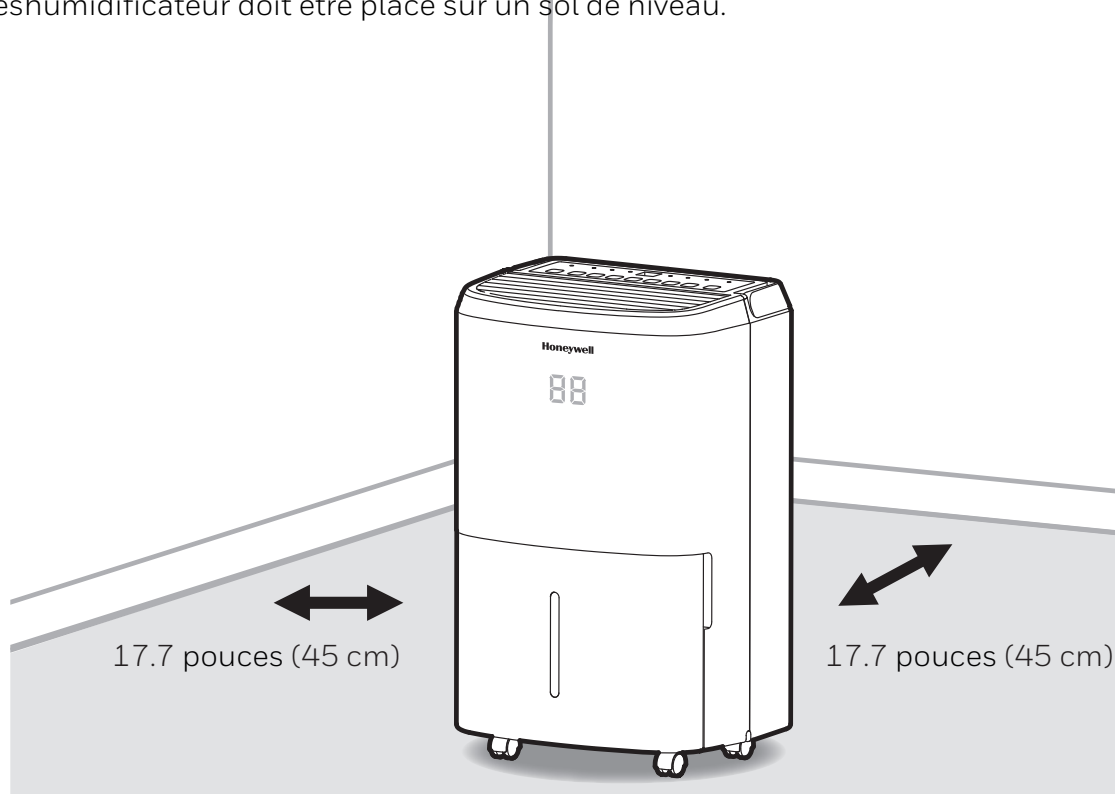
## CHOIX DE L'EMPLACEMENT - IMPORTANT

- Avant d'utiliser le déshumidificateur, placez l'appareil en position verticale pendant au moins 1 heure pour permettre au réfrigérant de se stabiliser. Si l'appareil était incliné sur le côté ou à l'envers pendant le transport, installez l'appareil en position verticale pendant 4 heures avant de l'utiliser.
- Pour une efficacité optimale, le déshumidificateur doit être utilisé dans un endroit clos. Gardez fermées toutes les portes, fenêtres et autres entrées extérieures à la pièce.



## HOIX DE L'EMPLACEMENT - IMPORTANT (SUITE)

- Placez le déshumidificateur dans un endroit où la température ne descendra pas en-dessous de 41°F (5°C).
- Placez le déshumidificateur à une distance d'au moins 17.7 pouces (45 cm) des autres objets (par exemple des rideaux ou des meubles) qui peuvent restreindre le flux d'air à l'avant ou à travers les bouches d'aération de l'appareil.
- Le déshumidificateur doit être placé sur un sol de niveau.

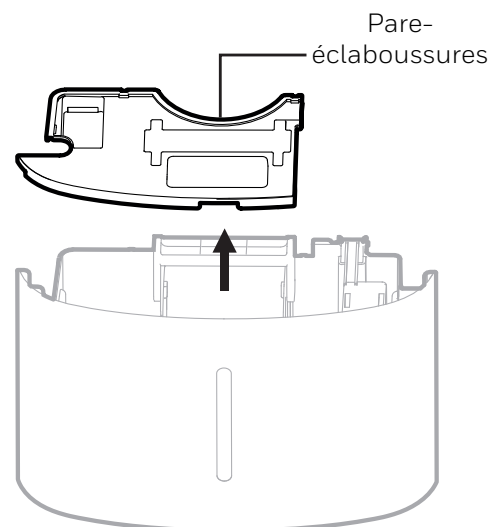


**IMPORTANT:** L'efficacité du déshumidificateur peut être influencé par différents facteurs. L'un des facteurs est la vitesse à laquelle le nouvel air chargé d'humidité pénètre dans la pièce et la quantité d'air circulant dans et hors de la zone à déshumidifier. Par exemple, si la porte d'un sous-sol est constamment ouverte, laissant le nouvel air chargé d'humidité dans la pièce, la déshumidification sera plus longue que si la porte a été maintenue fermée. Si le déshumidificateur est dans une pièce avec des placards de rangement ou des armoires, il aura peu ou pas d'effet dans séchage à l'intérieur des placards de rangement ou des armoires, à moins qu'il y ait une bonne circulation de l'air dans et en dehors de ces endroits. Pour déshumidifier ces lieux, ouvrir la porte des placards de rangement ou des armoires pour permettre la circulation de l'air. Vous L'installation d'un deuxième déshumidificateur peut être nécessaire pour des espaces clos plus grands.

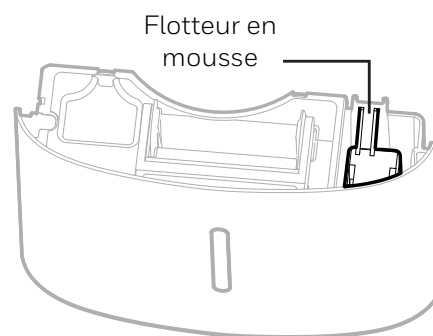
# DÉBALLAGE DU DÉSHUMIDIFICATEUR

- Le déshumidificateur est emballé à l'aide d'un ruban adhésif coloré ou transparent pour sécuriser certaines pièces pendant le transport. Retirez le ruban adhésif coloré ou transparent de l'appareil.

1. Tirez doucement le réservoir d'eau hors du déshumidificateur.
2. Retirez le pare-éclaboussures de la partie supérieure du réservoir d'eau.
3. Retirez la prise d'alimentation, le tuyau de vidange et les autres accessoires qui sont placés à l'intérieur du réservoir du déshumidificateur.
4. Une fois tous les accessoires retirés, remplacez le pare-éclaboussures sur la partie supérieure du réservoir d'eau. Assurez-vous que le réservoir est correctement positionné.

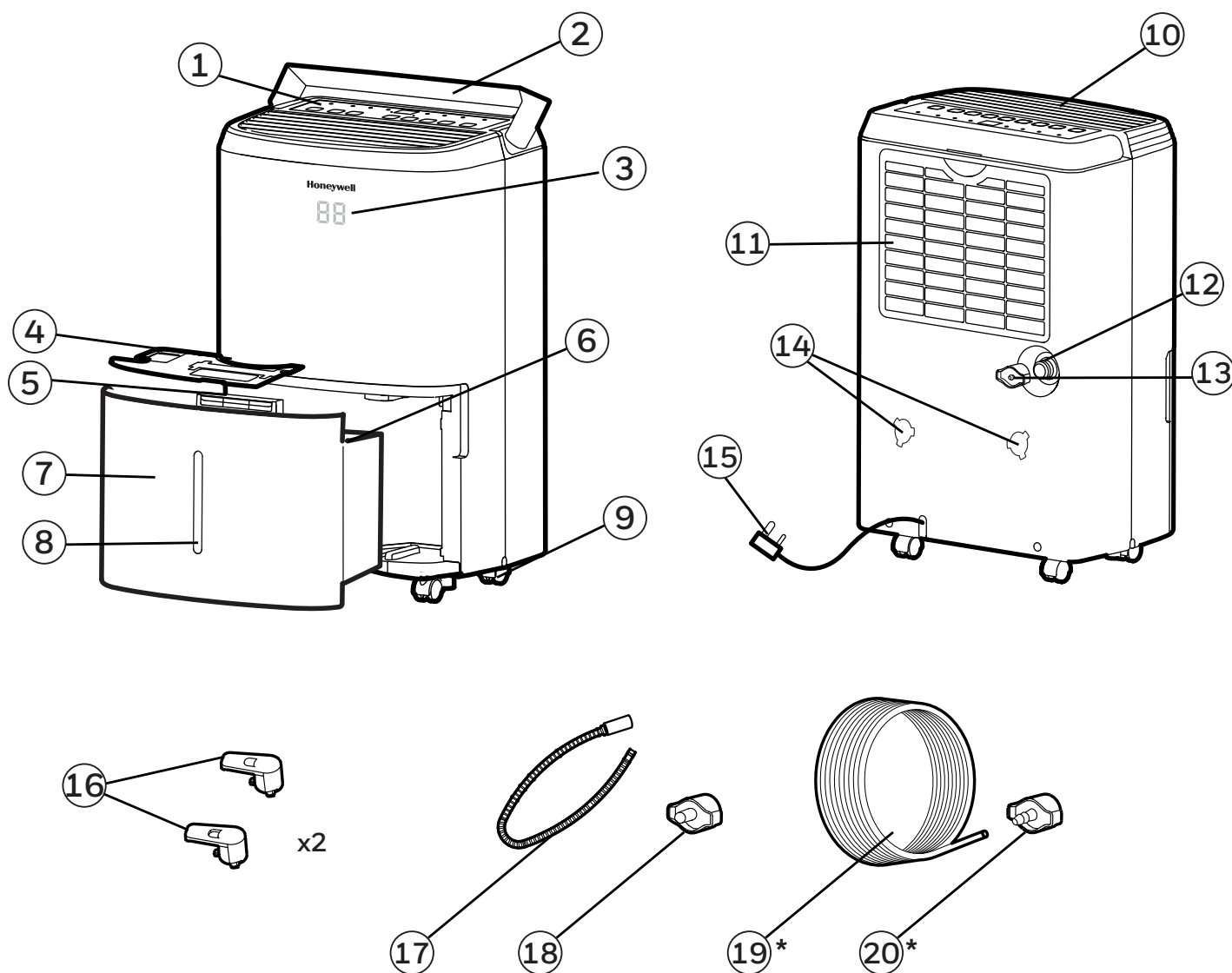


- Il y a un flotteur en mousse à l'intérieur du réservoir d'eau qui détecte le niveau d'eau pour arrêter automatiquement la déshumidification lorsque le réservoir d'eau est plein. Assurez-vous que le flotteur en mousse est correctement positionné à l'intérieur du réservoir d'eau en veillant à ce qu'il soit au même niveau que le bord supérieur du réservoir d'eau.



**NE RETIREZ PAS LE FLOTTEUR EN MOUSSE.**

# DESCRIPTION DES PIÈCES



- |                               |  |
|-------------------------------|--|
| 1) Panneau de configuration   | 10) Vantelles de déshumidification             |
| 2) Poignée                    | 11) Filtre à poussière lavable                 |
| 3) Affichage LED              | 12) Sortie de vidange directe                  |
| 4) Pare-éclaboussures         | 13) Bouchon de vidange directe                 |
| 5) Poignée du réservoir d'eau | 14) Trous de montage pour enrouleurs de cordon |
| 6) Flotteur en mousse         | 15) Cordon électrique et prise                 |
| 7) Réservoir d'eau            | 16) Enrouleurs de cordon                       |
| 8) Indicateur de niveau d'eau | 17) Tuyau de vidange continue                  |
| 9) Roulettes                  | 18) Bouchon de vidange continue                |

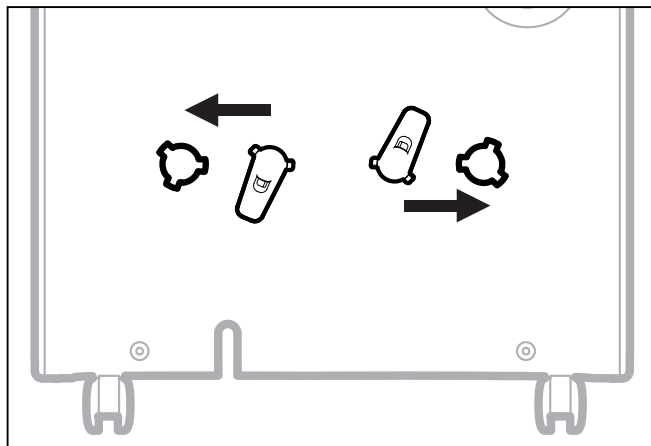
**\*UNIQUEMENT POUR LES MODÈLES TP55PN / TP70P / TP70PN  
AVEC POMPE DE VIDANGE INTÉGRÉE**

- |   |   |
|---|---|
| 19) Tuyau de pompe de vidange automatique | 20) Bouchon de pompe de vidange automatique |
|---|---|

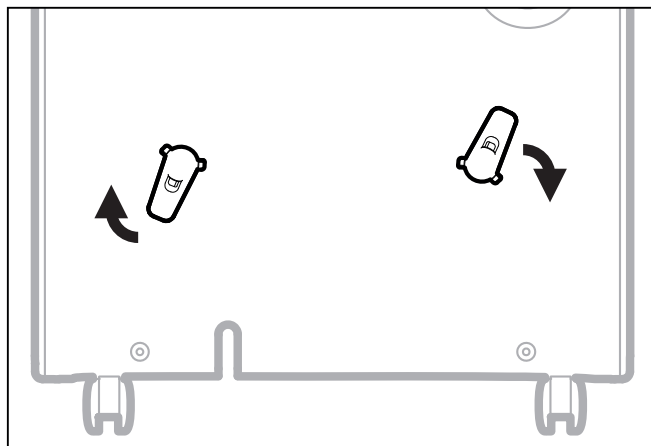
# INSTALLATION DE L'ENROULEUR DE CORDON

Une fois que vous avez retiré les accessoires de l'enrouleur de cordon du réservoir d'eau, suivez les étapes ci-dessous.

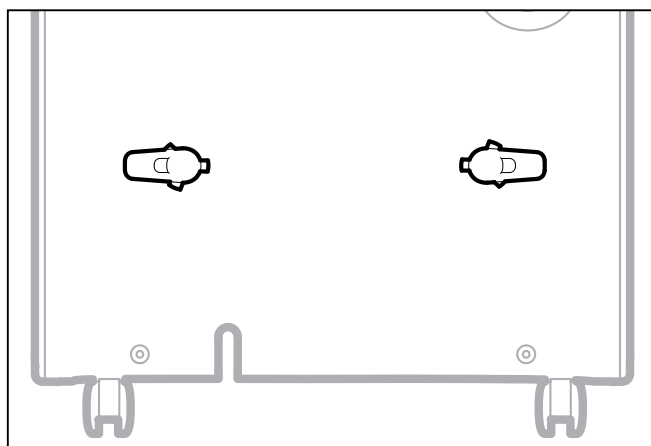
Étape 1: Alignez les pièces de l'enrouleur de cordon sur les trous de montage.



Étape 2: Faites pivoter de 45 degrés dans le sens des aiguilles d'une montre.

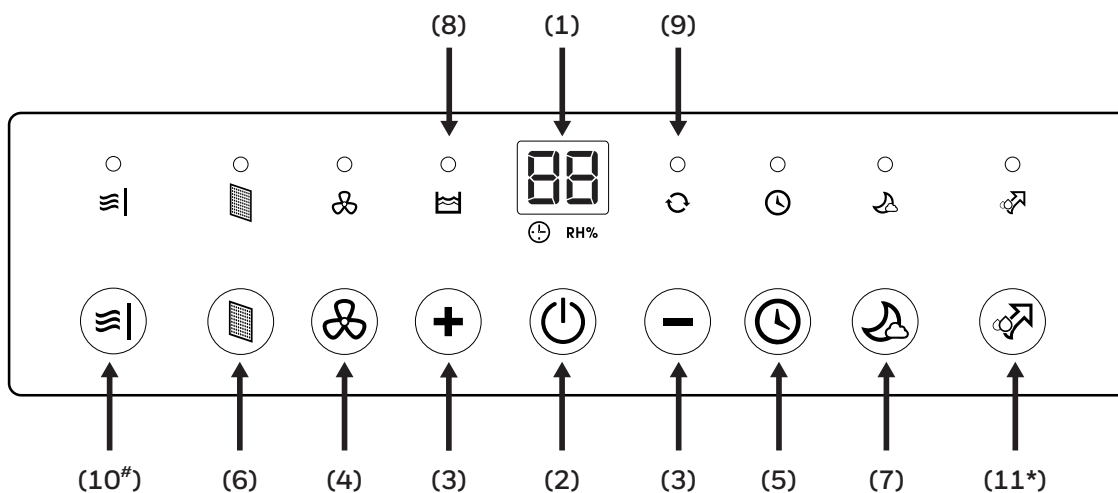


Étape 3: Lorsque vous entendez un "clic", vous savez que l'enrouleur de cordon est prêt à l'emploi.



**REMARQUE:** Une fois que l'installation de l'enrouleur de cordon est terminée. L'enrouleur de cordon ne peut plus être retiré. L'installation est permanente.

## PANNEAU DE CONFIGURATION



- |  |  |
|--|--|
| 1) Écran d'affichage                         | 6) Alerte du filtre                          |
| 2) Commande d'alimentation                   | 7) Mode veille                               |
| 3) Humidité/ Minuterie Réglage des contrôles | 8) Indicateur du niveau de l'eau avec témoin |
| 4) Commande de vitesse du ventilateur        | 9) Lumière de fonctionnement continue        |
| 5) Commande de minuterie                     |  |

**#CECI EST SEULEMENT POUR LE MODÈLE TP50H / TP50HN AVEC LA TECHNOLOGIE PTC**

10) Mode PTC

**\*UNIQUEMENT POUR LES MODÈLES TP55PN / TP70P / TP70PN AVEC POMPE DEVIDANGE INTÉGRÉE**

11) Mode de pompe de vidange automatique

## BOUTONS DE FONCTION

### CONTRÔLE DE L'ALIMENTATION

Appuyez sur  pour mettre le déshumidificateur sur ON ou OFF.

### RÉGLAGE CONTRÔLE DE L'HUMIDITÉ



 RH%

Lorsque l'appareil est en marche, l'affichage de humidité indique le pourcentage d'humidité actuelle. Appuyez sur **+** ou **-** pour sélectionner votre niveau d'humidité souhaitée. L'humidité est réglée par paliers de 5 % en appuyant sur **+** ou **-**. La plage réglable d'humidité relative (HR) est compris entre 30 % HR et 90 % HR. Dix secondes après avoir réglé le réglage de l'humidité souhaitée, l'affichage revient sur l'affichage de l'humidité actuelle.



**Réglages recommandés:** Il est recommandé de laisser la machine en marche à 30 % d'humidité sur la vitesse rapide du ventilateur pendant les 2 ou 3 premiers jours jusqu'à ce que les odeurs humides aient disparu. Au bout de quelques jours, lorsque l'humidité relative a été réduite à un niveau plus confortable, appuyez sur **+** ou **-** pour choisir un meilleur pourcentage d'humidité relative qui maintienne un niveau d'humidité confortable par la suite. Un taux d'humidité sain recommandée est compris entre 40 % et 50 %.

**REMARQUE:** Le capteur d'humidité détecte l'humidité actuelle dans le périmètre avoisinant. Il est normal que la sensibilité à l'humidité du capteur varie de quelques degrés.

### MODE CONTINU

Pour activer le mode continu, appuyez sur le bouton **-** sur l'écran d'affichage jusqu'à ce que  apparaisse. Le voyant  sera allumé. L'appareil fonctionnera en continu.

### ALERTE DE RÉSERVOIR D'EAU PLEIN

Lorsque le réservoir d'eau est plein, le voyant  s'allume. L'appareil émettra un bip pendant 3 secondes. Le compresseur s'éteint et le ventilateur s'arrête pendant quelques minutes. Pour éteindre le témoin , videz le réservoir d'eau et, lors du remplacement, assurez-vous que le réservoir est correctement positionné.

**IMPORTANT:** Ne placez pas le réservoir d'eau sur le sol lorsqu'il est plein. en cas de sol inégal susceptible de provoquer le débordement du réservoir.




## BOUTONS DE FONCTION (SUITE)

### MINUTERIE DE CONTRÔLE




Le déshumidificateur peut être réglé pour commuter automatiquement sur ON ou OFF après un laps de temps déterminé (30 minutes à 24 heures). La sélection des heures de la minuterie est affichée sur l'écran d'affichage Minuterie/ Température.



**REMARQUE:** Avant de régler la minuterie de contrôle, assurez-vous qu'elle est reliée à l'appareil.

#### Arrêt automatique:

Pendant que l'appareil est en marche, appuyez sur , le voyant de la minuterie  clignote, appuyez sur **+** ou **-** pour sélectionner le nombre d'heures (30 minutes à 24 heures) pendant lesquelles vous voulez que l'appareil fonctionne avant de s'éteindre. Pendant 5 secondes sans fonctionnement, la minuterie démarre le fonctionnement, le voyant de la minuterie  s'allume. La minuterie doit être réglée à nouveau après chaque utilisation.

#### Mise en marche automatique:

Lorsque l'appareil est en mode Veille, appuyez sur , le voyant de la minuterie  clignote, appuyez sur **+** ou **-** pour sélectionner le nombre d'heures (30 minutes à 24 heures) jusqu'à ce que vous vouliez que l'appareil démarre automatiquement. Pendant 5 secondes sans fonctionnement, la minuterie démarre le fonctionnement, le voyant de la minuterie  s'allume. Le réglage précédent de l'humidité et de la vitesse du ventilateur sera maintenu. L'appareil s'allume et continue à fonctionner jusqu'à ce que le réservoir d'eau soit plein (sauf si l'appareil est réglé pour une vidange continue) ou jusqu'à ce que vous l'éteigniez manuellement. La minuterie doit être réglée à nouveau après chaque utilisation.

**REMARQUE:** Pour annuler les réglages de la minuterie, il vous suffit d'appuyer à nouveau sur  et le voyant de la minuterie  disparaîtra.

**REMARQUE:** Le voyant d'alimentation rouge fixe indique que l'appareil est en mode Veille.

### DÉGIVRAGE LUMIÈRE

Il y a deux vitesses de ventilateur - rapide et lente. Lorsque le voyant  est allumé, l'appareil fonctionne en vitesse rapide. Lorsque le voyant  est éteint et que l'appareil fonctionne, alors l'appareil fonctionne en vitesse lente.

### ALERTE POUR FILTRE




Lorsque le voyant d'alerte du filtre est sur ON, il est temps de nettoyer le filtre. Éteignez l'appareil et retirez délicatement le filtre de l'appareil puis nettoyez-le. Remplacez le filtre et allumez l'appareil.

Le voyant d'alerte du filtre ne doit pas être allumé tant que le filtre n'a pas besoin d'être de nouveau nettoyé. La fréquence de nettoyage du filtre dépend des conditions de l'environnement de la pièce. Pour certaines pièces, il peut être nécessaire de changer plus fréquemment que pour d'autres pièces.





## BOUTONS DE FONCTION (SUITE)

### MODE EN VEILLE



La luminosité de l'affichage LED sera réduite lorsque l'appareil est en mode Veille. Appuyez sur  pour activer le mode Veille. Lorsque le mode Veille est activé, le témoin  s'allume. Il y a une fenêtre d'une minute au cours de laquelle vous pouvez ajuster les paramètres tels que l'humidité et la vitesse du ventilateur. Au bout d'une minute, l'affichage supérieur s'éteint, sauf le témoin . Appuyez sur n'importe quel bouton pour désactiver le mode Veille.

### MODE CHAUFFAGE PTC#

Appuyez sur  pour activer le mode Chauffage PTC, le voyant  est allumé. La fonction Chauffage PTC est adaptée aux environnements dont la température est comprise entre 0°F et 41°F (0°C et 5°C). Cette technologie permet d'ajouter de la chaleur au processus de déshumidification, ce qui contribue à améliorer l'efficacité et augmente la capacité de déshumidification de l'appareil.

**#CECI EST SEULEMENT POUR LE MODÈLE TP50H / TP50HN  
AVEC LA TECHNOLOGIE PTC**

### MODE DE POMPE DE VIDANGE AUTOMATIQUE\*

La fonction Pompe de vidange automatique permet d'éliminer la condensation verticalement et horizontalement. Appuyez sur  pour activer la fonction Pompe; le voyant  s'allume.

**\*UNIQUEMENT POUR LES MODÈLES TP55PN / TP70P / TP70PN  
AVEC POMPE DE VIDANGE INTÉGRÉE**

## FONCTION DE REDÉMARRAGE AUTOMATIQUE

Cet appareil est doté d'une fonction de redémarrage automatique. Dès que le courant sera rétabli après une panne d'électricité, le déshumidificateur se remettra automatiquement en route, paramétré aux réglages précédents.

## DÉGIVRAGE AUTOMATIQUE


Du givre peut s'accumuler sur les bobines internes de l'appareil. En cas d'accumulation de givre, le compresseur interne s'éteint et le ventilateur continue à fonctionner jusqu'à ce que le givre ait fondu. Une fois les bobines internes dégivrées et séchées, le compresseur ou le ventilateur redémarre automatiquement et la déshumidification reprend.

## VIDANGE DE L'EAU



**AVERTISSEMENT:** T égoutter et éliminer l'eau recueillie à partir de déshumidification. L'eau est propre mais ne peut pas être utilisée pour la boisson.

### 1. Vidange de l'eau recueillie dans le réservoir d'eau

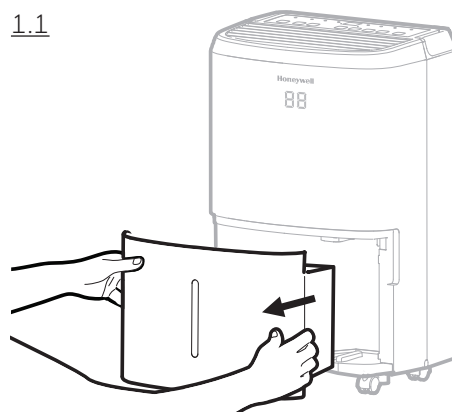
L'eau condensée peut être collectée directement dans le réservoir d'eau. Lorsque le réservoir d'eau est plein, le déshumidificateur s'éteint automatiquement et le voyant  s'allume sur le panneau de commande, suivi d'un bip sonore.

**IMPORTANT:** Ne pas déplacer le déshumidificateur lorsque le réservoir d'eau est plein car il sera lourde et pourrait provoquer un écoulement d'eau.

1.1 Repérez le réservoir d'eau à l'avant du déshumidificateur.

1.1

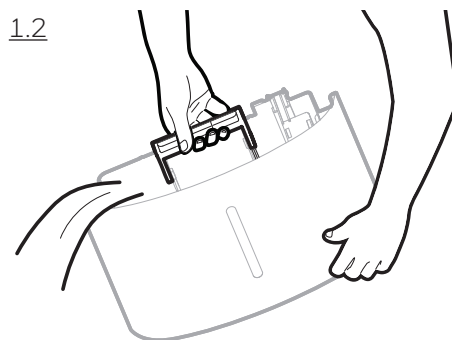
Tirez doucement le réservoir d'eau.



1.2 Saisissez la poignée à l'intérieur du réservoir d'eau et allez vider r le réservoir d'eau.

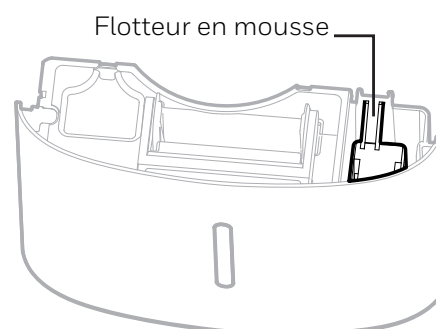
1.2

1.3 Remplacez le réservoir d'eau vide à l'avant du déshumidificateur. Assurez-vous que le réservoir est correctement positionné. La fonction de sécurité a été conçue pour vérifier tout alignement inapproprié du réservoir et pour bloquer la mise en route de l'appareil.



**IMPORTANT:** Un mauvais alignement ou positionnement du réservoir d'eau peut entraîner des arrêts de fonctionnement, le témoin au-dessus du déshumidificateur s'allumera, suivi par un signal sonore, jusqu'à ce que le réservoir d'eau soit installé correctement.

**REMARQUE:** Il y a un flotteur en mousse à l'intérieur du réservoir d'eau qui détecte le niveau d'eau pour arrêter automatiquement la déshumidification lorsque le réservoir d'eau est plein. Assurez-vous que le flotteur en mousse est positionné correctement à l'intérieur du réservoir d'eau, de sorte qu'il se trouve de niveau avec le bord supérieur du réservoir d'eau.



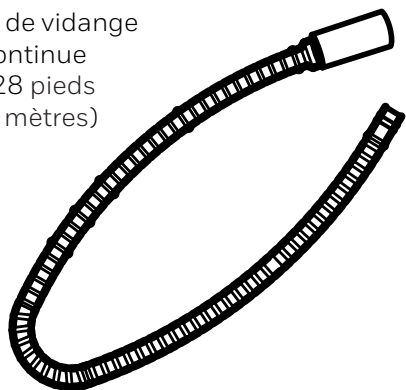
**NE RETIREZ PAS LE FLOTTEUR EN MOUSSE.**

## VIDANGE DE L'EAU (SUITE)

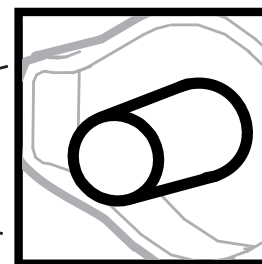
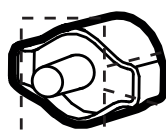
### 2. Drainage de l'eau continue – Utilisation d'un tuyau de vidange continu de l'eau

Un tuyau de vidange de l'eau continu est inclus avec cet appareil. Pour utiliser la fonction de vidange continue de l'eau, vous aurez besoin d'une évacuation d'eau appropriée (par exemple un évier ou un trou d'évacuation au niveau du sol) à proximité du déshumidificateur.

Tuyau de vidange  
continue  
3.28 pieds  
(1 mètres)

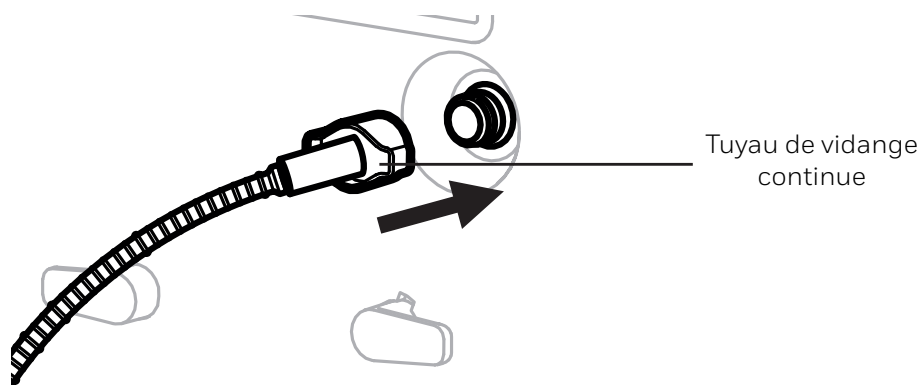
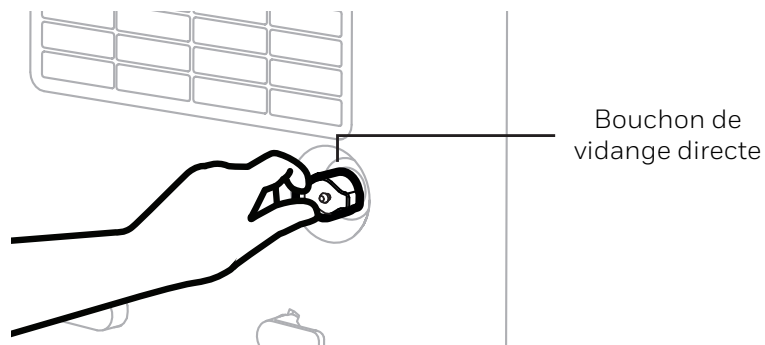


Bouchon de  
vidange continue



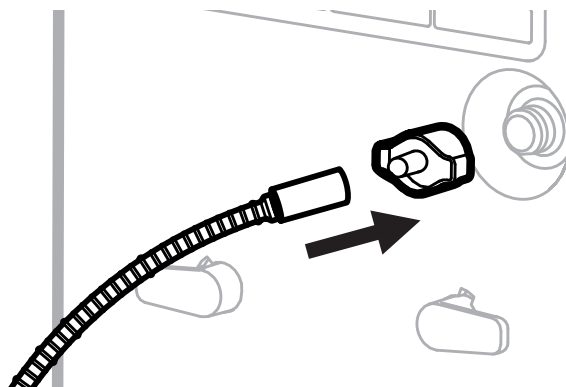
**REMARQUE:** Le tuyau de vidange continue et le bouchon de vidange continue sont préinstallés.

2.1 Repérez l'orifice d'évacuation situé à l'arrière de l'appareil. Dévissez et retirez le bouchon de vidange directe. Insérez et vissez le tuyau de vidange continue de l'eau dans la sortie de vidange directe.

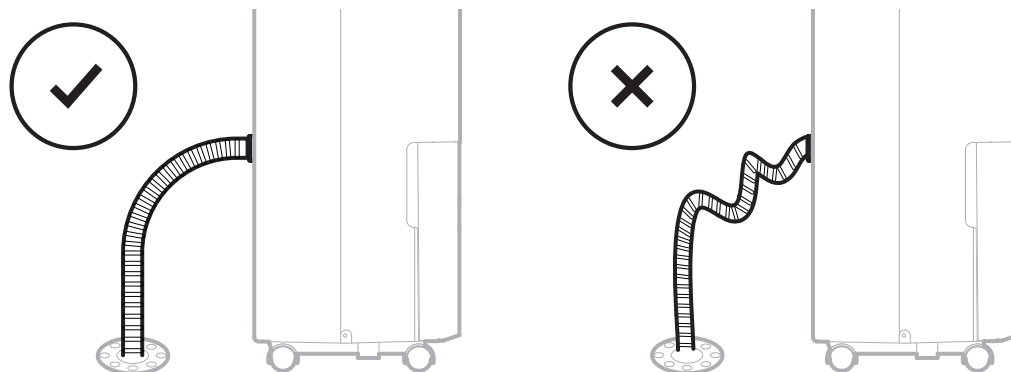


## VIDANGE DE L'EAU (SUITE)

2.2 S'il y a des fuites, le tuyau et le bouchon de vidange continue de l'eau peuvent se desserrer et ne pas être correctement reliés. Débranchez, remplacez et resserrer.



2.3 Placez l'autre extrémité du tuyau dans l'évier ou l'évacuation. Assurez-vous que le tuyau ne soit pas plié ou tordu, ce qui pourrait arrêter l'écoulement de l'eau. Assurez-vous que le tuyau est fixé sur l'évacuation et ne tombe pas, ce qui provoquerait le déversement indésirable de l'eau.



**IMPORTANT:** Assurez-vous que l'eau peut couler le tuyau en gardant le tuyau orienté vers le bas, sans pliure ni étranglement.

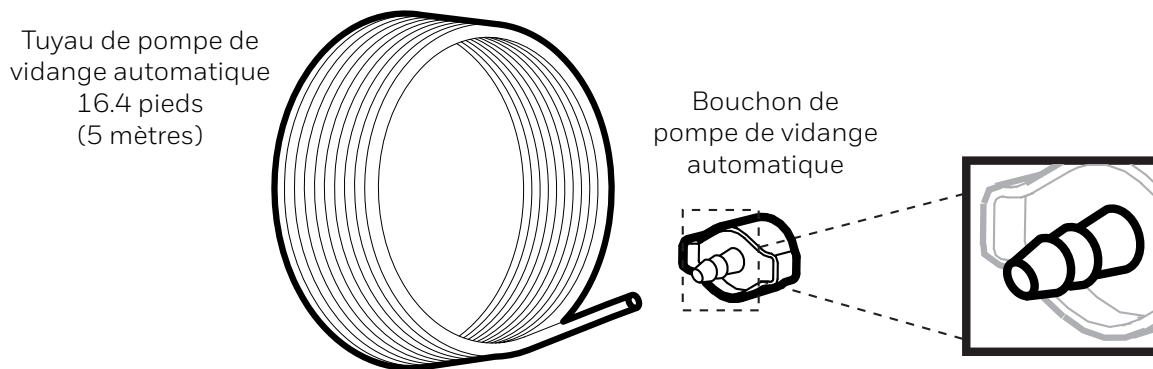
**IMPORTANT:** Si l'appareil est placé sur une surface irrégulière ou si le tuyau de vidange n'est pas installé correctement, l'eau peut remplir le réservoir d'eau et arrêter de s'écouler. Veuillez vérifier si la surface est irrégulière et réinstallez le tuyau de vidange.

## VIDANGE DE L'EAU (SUITE)

### 3. Drainage de l'eau en continu – Utiliser un tuyau

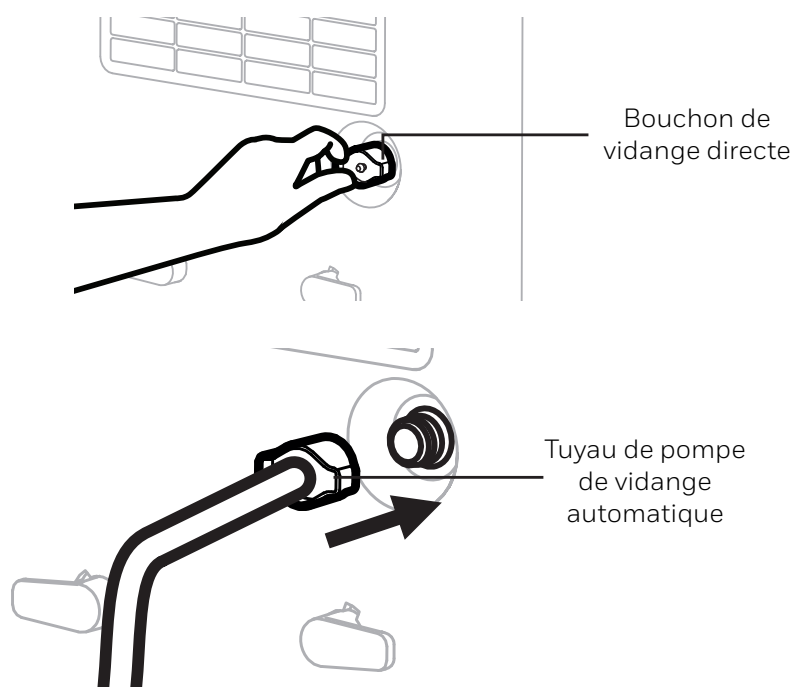
#### **\*UNIQUEMENT POUR LES MODÈLES TP55PN / TP70P / TP70PN AVEC POMPE DE VIDANGE INTÉGRÉE**

La pompe de vidange automatique est disponible si vous souhaitez utiliser la fonction de vidange continue, mais que la vidange est plus éloignée ou située au-dessus du déshumidificateur. Le tuyau de la pompe de vidange automatique peut être fixé à la sortie de vidange directe située à l'arrière du déshumidificateur. Lorsque le niveau d'eau dans le réservoir d'eau atteint un certain niveau, la pompe de vidange va automatiquement pomper l'eau du réservoir vers l'évacuation. Cela vous permet de drainer la condensation d'eau verticalement ou horizontalement, même si l'évacuation est située au-dessus du déshumidificateur.



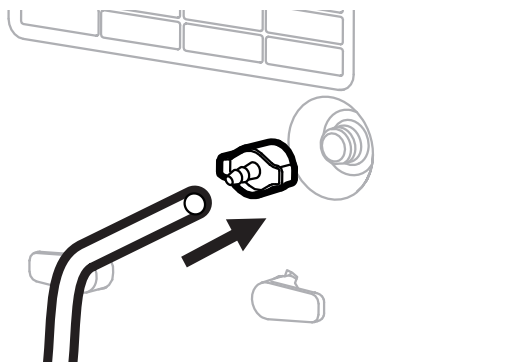
**REMARQUE:** Le tuyau de la pompe de vidange automatique et le bouchon de la pompe de vidange automatique sont préinstallés.



3.1 Repérez la sortie de vidange à l'arrière de l'appareil. Dévissez et retirez le bouchon de vidange directe. Insérez et vissez le tuyau de pompe de vidange automatique dans la sortie de vidange directe.



## VIDANGE DE L'EAU (SUITE)

3.2 S'il y a des fuites, le tuyau et le bouchon de la pompe de vidange automatique peuvent se desserrer et ne pas être correctement reliés. Débranchez, remplacez et resserrer.



3.3 Pour activer la fonction Pompe, appuyez sur le voyant . Une fois activée, le voyant  s'allume.

3.5 Positionnez l'autre extrémité du tuyau de vidange dans l'évier ou dans un point d'évacuation. L'eau peut être pompée sur 16.4 pieds (5 mètres) verticalement ou horizontalement, selon la situation.

**REMARQUE: NE PAS** utiliser un tuyau de vidange plus long qui est fourni avec l'appareil.

*\*Le tuyau de pompe de vidange automatique est inclus uniquement dans les modèles de déshumidificateur avec fonction de pompe de vidange automatique uniquement.*

## NETTOYAGE ET ENTRETIEN

**AVERTISSEMENT:** Éteignez toujours le déshumidificateur et débranchez-le de la prise électrique avant de le nettoyer ou de l'entretenir.

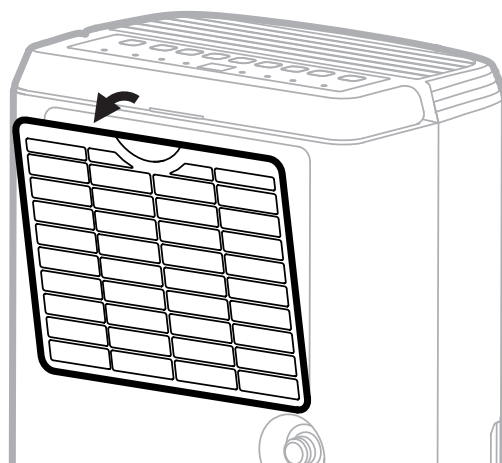
### Entretien d'appareils:

- Éteignez l'appareil avant de débrancher l'alimentation.
- Utilisez uniquement un chiffon doux pour nettoyer l'appareil.

### Entretien du filtre à poussière:

Le filtre à poussière situé au dessus de l'appareil permet d'éliminer les particules de poussière de l'air. Un filtre sale et bouché par des particules de poussière peut réduire l'efficacité du déshumidificateur. Pour une déshumidification optimale, il est recommandé de nettoyer le filtre à poussière toutes les 2 semaines:

1. Éteignez et débranchez le déshumidificateur de la prise électrique.
2. Retirez délicatement le filtre à poussière du déshumidificateur.
3. Rincez le filtre à poussière sous l'eau courante ou aspirez la poussière avec un aspirateur.
4. Après avoir nettoyé le filtre à poussière, séchez-le dans un endroit frais et ombragé, puis réinstallez-le délicatement dans l'appareil.



### Stockage et maintenance en fin de saison:


#### Si l'appareil ne doit pas être utilisé pendant longtemps:

- Éteignez l'appareil et débranchez la prise de courant électrique.
- Videz le réservoir d'eau et laissez-le sécher. Si votre déshumidificateur est relié au tuyau d'évacuation en continu, vous devez débrancher le tuyau, le sécher et ensuite replacer le bouchon de vidange et le bouchon en caoutchouc dans la prise de vidange.
- Retirez le filtre à poussière et nettoyez-le avec de l'eau. Laissez sécher le filtre et réinstallez-le dans l'appareil.
- Assurez-vous que toutes les parties du déshumidificateur et accessoires sont secs avant le stockage.
- Couvrez le déshumidificateur avec un sac en tissu plastique avant de le ranger, pour protéger la surface de la poussière et des rayures.
- Il est recommandé d'enrouler le cordon d'alimentation et de le stocker sur le sol pour vérifier qu'il ne comporte pas de courbes et de plis.
- Rangez l'appareil en position verticale dans un endroit sec, à l'abri des rayons du soleil.

Le guide de dépannage suivant aborde les problèmes les plus courants. Si le problème persiste, appelez les services d'aide à la clientèle.

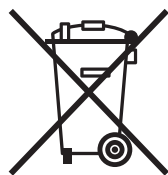
PROBLÈME	CAUSE POSSIBLE	SOLUTION
Déshumidificateur	Pas d'électricité.	Vérifiez le courant.
	Le cordon d'alimentation est mal branché.	Débranchez puis rebranchez le cordon d'alimentation.
	L'interrupteur de sécurité est activé sur la prise électrique.	Réinitialisez l'interrupteur de sécurité et attendez 3 minutes.. Contactez le service clientèle si le problème persiste.
	Le réservoir d'eau n'est pas dans la bonne position.	Placez le réservoir d'eau correctement dans l'appareil. L'appareil ne fonctionnera pas tant que le réservoir d'eau ne sera pas en place.
L'appareil fonctionne mais le niveau d'humidité ne diminue pas.	Le réglage du niveau d'humidité est trop élevé.	Diminuez le réglage du niveau d'humidité.
	Une porte ou une fenêtre est ouverte, laissant entrer à nouveau l'humidité.	Assurez-vous que toutes les fenêtres ou portes vers l'extérieur sont correctement fermées.
	Il existe d'autres sources d'humidité dans la pièce (par exemple de l'eau bouillante).	Allumez le déshumidificateur lorsque ces sources ne sont pas présents.
	La température dans la pièce est trop faible.	Le déshumidificateur est conçu pour fonctionner entre 41°F (5°C) et 89°F (32°C). L'élimination de l'humidité est considérablement réduite si la température ambiante dépasse cette plage de température.
	Le filtre à poussière est sale/ bouché.	Nettoyez le filtre à poussière.
	Le filtre à poussière est sale/ bouché.	Enlevez ce qui bouche le filtre.



PROBLÈME	CAUSE POSSIBLE	SOLUTION
Appareil fonctionne mais le niveau d'humidité ne diminue pas.	Temps insuffisant pour que le déshumidificateur enlève l'humidité.	Après la première installation, attendez 24 heures pour maintenir la sécheresse désirée.
Le déshumidificateur fonctionne en permanence/ne s'arrête pas.	L'espace à déshumidifier est trop grand.	La capacité de votre déshumidificateur peut ne pas être suffisante pour la chambre il est utilisé. Il est recommandé d'ajouter un déshumidificateur supplémentaire pour les grandes surfaces.
	Une porte ou une fenêtre est ouverte, laissant entrer à nouveau l'humidité.	Assurez-vous que toutes les fenêtres ou portes vers l'extérieur sont correctement fermées.
Réservoir d'eau plein  est allumé et l'appareil émet un signal sonore.	Le réservoir d'eau est plein.	Videz le réservoir d'eau.
	Le réservoir d'eau ne se trouve pas dans une position correcte.	Positionnez le réservoir d'eau correctement dans l'appareil. L'appareil ne fonctionnera pas tant que le réservoir d'eau ne sera pas correctement installé.
L'appareil souffle l'air froid par le système d'aération supérieur.	Le système d'aération supérieur est conçu pour distribuer l'air dans toute la pièce.	La température de l'air provenant de l'aération dépend de l'environnement de la pièce et d'autres facteurs. Des fluctuations existent et il est normal d'observer ces fluctuations. Aucune action n'est requise.
Du gel apparaît sur les bobines.	Le déshumidificateur a été récemment réglé sur des températures ambiantes basses (généralement au-dessous de 41°F (5°C)).	Ceci est normal. Le gel disparaîtra dans une heure ou deux après l'arrêt du déshumidificateur.
Le dispositif d'évacuation continue est raccordé, mais la condensation d'eau ne s'évacue pas du conduit.	Certains sols ont une surface irrégulière et altèrent la fonction d'évacuation continue.	Surélevez le déshumidificateur de ½ à 1 pouce (1.27 cm à 2.54 cm) du sol. La condensation d'eau s'évacuera par le tuyau arrière, et non par le bac de récupération d'eau.

PROBLÈME	CAUSE POSSIBLE	SOLUTION
Il y a de l'eau sur le sol	Le tuyau de vidange peut être relâché.	Vérifiez les raccords entre le tuyau et l'orifice d'évacuation de l'appareil. Voir la section sur l'écoulement de l'eau continu.
	Vous aviez l'intention d'utiliser le réservoir d'eau pour recueillir de l'eau mais le tuyau de vidange continue est toujours raccordé.	Débranchez le tuyau et remplacez le bouchon de caoutchouc et le bouchon de vidange si vous utilisez le réservoir d'eau pour recueillir l'eau. Voir la section sur l'écoulement de l'eau continu.
Bruit	Le ventilateur fonctionne.	La vanne du ventilateur peut générer des sons pendant le fonctionnement. Ceci est un son normal.
	Le compresseur fonctionne.	Il y a un son lorsque le compresseur s'allume. Le compresseur s'activera périodiquement en fonction des paramètres d'humidité. C'est normal.

CODE D'ERREUR	POSSIBLE CAUSE D'ERREUR	REMARQUE
P1	Dépose du réservoir d'eau	Ceci n'apparaît que pour le modèle TP55PN / TP70P / TP70PN avec pompe de vidange intégrée. Placez le réservoir d'eau correctement dans l'appareil. L'appareil ne fonctionnera pas tant que le réservoir d'eau ne sera pas en place.
EH	Échec du capteur d'humidité	Veillez contacter le centre des services à la clientèle.
E1 / E2	Échec du capteur de température	Veillez contacter le centre des services à la clientèle.
E3	Fuite de gaz	<p>Si E3 apparaît, veuillez vérifier si la plage de température ambiante est en-dessous de 89.6°F (32°C).</p> <p>Si la température ambiante dépasse 89.6°F (32°C), placez l'appareil en-dessous de 86°F (30°C) pendant 2 heures avant de redémarrer le déshumidificateur.</p> <p>Si l' E3 réapparaît dans les 2 heures, veuillez contacter le centre des services à la clientèle.</p>



Produits électriques doivent être éliminés correctement.  
Veillez recycler les équipements.  
Vérifiez auprès de votre municipalité ou du détaillant pour le recyclage.

Gracias por comprar un Deshumidificador Honeywell. Este manual de usuario está diseñado para proveer información necesaria para instalar, operar, mantener y solucionar problemas de este producto.

## REGLAS DE SEGURIDAD

### PRECAUCIÓN -- LEA Y GUARDE ESTAS INSTRUCCIONES ANTES DE USAR ESTE PRODUCTO.

El uso de productos eléctricos puede provocar peligros que incluyen pero no se limitan a lesiones, incendios y descargas eléctricas. La omisión en el seguimiento de estas instrucciones puede dañar y/o perjudicar su operación y anular la garantía. En caso de existir alguna discrepancia o conflicto, en el contenido de este material, entre la versión en Inglés y la versión en cualquier otro idioma prevalecerá la versión en Inglés.

### Cuando se usen productos eléctricos, deben seguirse medidas básicas de precaución:

- NO toque el deshumidificador o el contacto eléctrico con las manos mojadas.
- Revise el voltaje doméstico para asegurarse que coincida con las especificaciones del producto.
- Antes de operar el producto, remueva todo el material de empaque y revise que no haya daño alguno derivado del transporte de la unidad.
- NO opere ningún producto con un cable o enchufe dañado.
- NO use una extensión eléctrica con este producto.
- NO coloque el cable del producto bajo alfombrados, ni lo cubra con alfombras o canaletas. Mantenga el cable lejos de áreas donde pueda provocar tropiezos.
- Siempre desconecte el deshumidificador antes de vaciar el depósito de agua.
- El agua recolectada en el depósito de agua debe ser desechada. El agua nunca deberá ser usada para beberse.
- Siempre desconecte el deshumidificador y retire el depósito de agua antes de limpiar, dar servicio o reubicar la unidad.
- Retire el cable del producto del suministro eléctrico sujetando y jalando el enchufe únicamente, nunca tire del cable.
- Este producto ha sido fabricado para uso habitacional y no debe ser utilizado para otros propósitos.
- NO use el producto en áreas donde se almacenen o usen productos como gasolina, pintura u otros productos inflamables.
- Este deshumidificador está diseñado para uso en interiores residenciales. No debería ser utilizado con uso comercial o industrial.
- NO trate de reparar o ajustar cualquier función mecánica o eléctrica del deshumidificador, dado que esto puede ser peligroso y anula la garantía.
- NO cubra la toma de aire ni la salida del producto porque esto podría provocar la falla de la unidad.
- NO inserte ni permita que se introduzcan objetos en la toma de aire o salida de aire porque esto podría dañar el producto y podría causar una descarga eléctrica o incendio.

# REGLAS DE SEGURIDAD (CONTINUACIÓN)

- NO permita que los niños jueguen con la unidad, el empaque o la bolsa de plástico incluida.
- Si la unidad está dañada o tiene un mal funcionamiento, no continúe utilizándola. Desconecte el producto del suministro eléctrico. Refiérase a la sección de solución de problemas y contacte al servicio de atención a clientes.
- Siempre coloque el deshumidificador en un piso nivelado.
- Nunca instale el producto cerca de alguna bañera o contenedor de agua.
- Guarde la unidad en un lugar seco, lejos de la luz directa del sol, cuando no esté en uso.
- Este producto y todos sus materiales de empaque no están diseñados para ser usados por personas (incluidos niños y adultos mayores) con alguna discapacidad física, sensorial o mental, o con falta de conocimiento y experiencia, a menos de que tengan la supervisión o instrucción al respecto del uso del producto por una persona responsable de su seguridad.
- Sostenga siempre la manija superior y mantenga la unidad derecha cuando la transporte de habitación a habitación - NO incline el producto hacia un lado o de cabeza.
- Si el deshumidificador fuera transportado o inclinado de lado, debe colocarse en posición vertical de nuevo y esperar al menos 4 horas antes de usarlo.
- **PRECAUCIÓN:** Para reducir el riesgo de incendio o descarga eléctrica, no utilice este producto con algún dispositivo de control de velocidad de estado sólido.

# CÓMO TRABAJA UN DESHUMIDIFICADOR

Cuando el deshumidificador es ENCENDIDO, un ventilador ingresa aire que contiene humedad al deshumidificador, donde pasa a través de unas bobinas de deshumidificación. Este proceso condensa la humedad del aire y la concentra en un depósito de agua. El aire seco es entonces expulsado del deshumidificador. El aire fluye a través de las ventilas de aire del deshumidificador como aire cálido y seco.

**IMPORTANTE:** El deshumidificador está diseñado para trabajar con temperaturas entre 41°F (5°C) y 89°F (32°C). El desempeño del deshumidificador puede verse dramáticamente reducida si las temperaturas de la habitación sobrepasan este rango de temperatura.

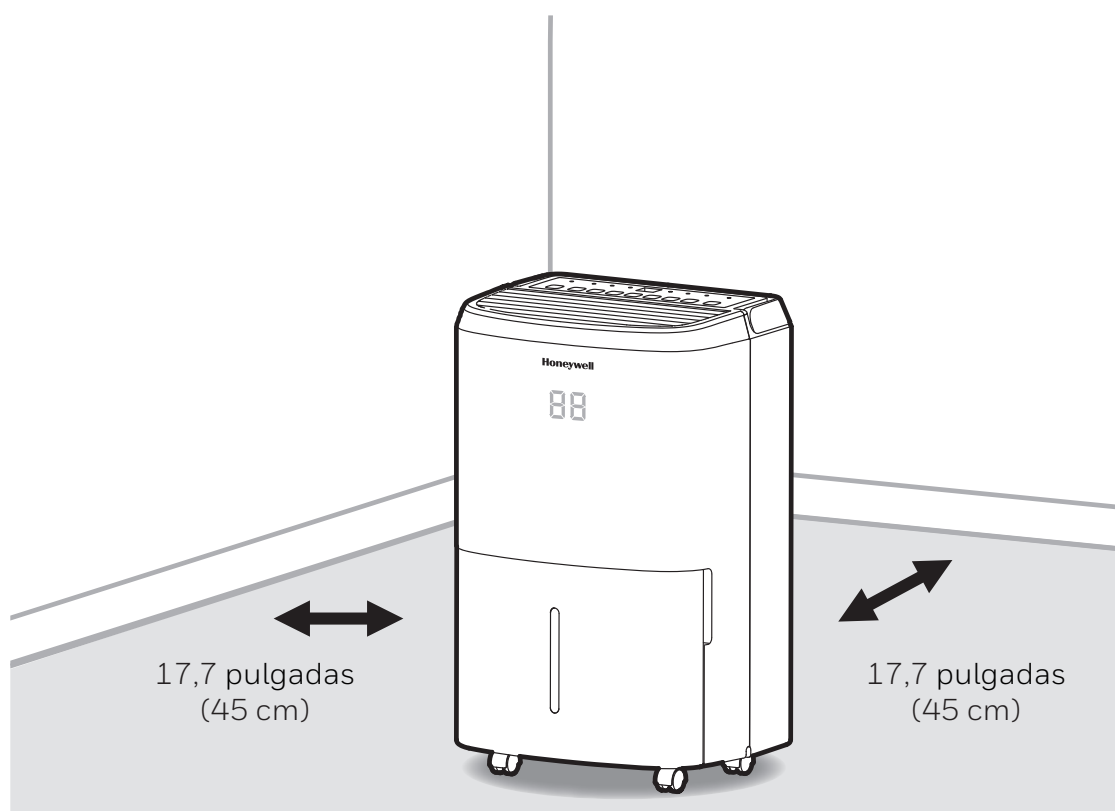
## SELECCIONANDO UNA UBICACIÓN - IMPORTANTE

- Antes de utilizar el deshumidificador, coloque la unidad VERTICAL por al gas menos una hora antes de usarlo para permitir al refrigerante estabilizarse. Si la unidad fue colocada en uno de sus costados o se colocó al revés durante su transporte, coloque la unidad de forma vertical por al menos 4 horas antes de usarlo.
- Para una eficiencia óptima, el deshumidificador debe ser operado en un área cerrada. Mantenga todas las puertas, ventanas y otras entradas a la habitación cerradas.



# SELECCIONANDO UNA UBICACIÓN - IMPORTANTE

- Coloque el deshumidificador en un área donde la temperatura no descienda por debajo de 41°F (5°C).
- Coloque el deshumidificador alejado al menos 17,7 pulgadas (45 cm) de cualquier otro objeto (cortinas o muebles, por ejemplo) que puedan obstruir el flujo de aire del frente o por las ventilas de aire de la unidad.
- El deshumidificador debe ser colocado a nivel del suelo.

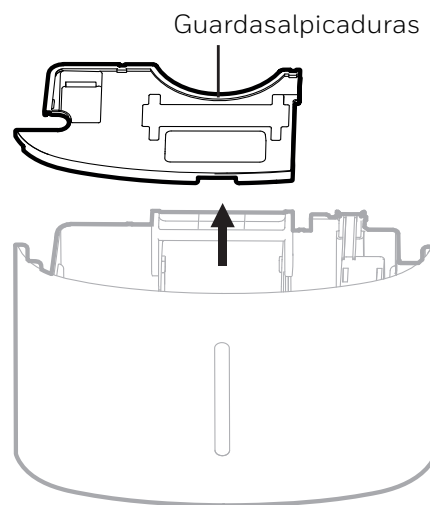


**IMPORTANTE:** La eficiencia del deshumidificador puede ser influenciada por diversos factores. Un factor es el tiempo que tarde en entrar aire nuevo, lleno de humedad, a la habitación y la cantidad de aire circulando dentro y fuera del área a ser deshumidificada. Por ejemplo, si una puerta en un sótano es constantemente abierta, permitiendo que aire nuevo y cargado de humedad entre a la habitación, la deshumidificación tomará más tiempo que si la puerta se mantuviera cerrada. Si el deshumidificador está en una habitación con un closet de almacenaje o gabinetes, tendrá un efecto mínimo o nulo en secar el interior del closet o los gabinetes a menos que haya la circulación adecuada dentro y fuera de estos sitios. Para deshumidificar estos lugares, abra las puertas de almacenaje o gabinetes para permitir la circulación. Es posible que la instalación de un segundo deshumidificador sea necesaria para áreas cerradas más grandes.

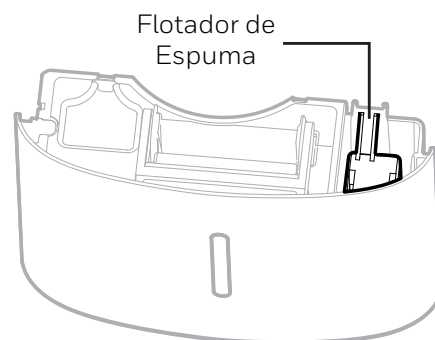
# ESEMPACANDO EL DESHUMIDIFICADOR

- Este Deshumidificador está empacado con una cinta transparente o de color para asegurar algunas partes durante el transporte. Remover la cinta de empaque transparente o de color de la unidad.

1. Con cuidado jale el tanque de agua fuera del deshumidificador.
2. Quite el guardasalpicaduras de la parte superior del tanque de agua.
3. Desconecte la clavija eléctrica, drene la manguera y los otros accesorios que se encuentran dentro del tanque del deshumidificador.
4. Una vez que todos los accesorios hayan sido sacados, vuelva a colocar el guardasalpicaduras en la parte superior del tanque de agua. Asegúrese de que el tanque está correctamente colocado.



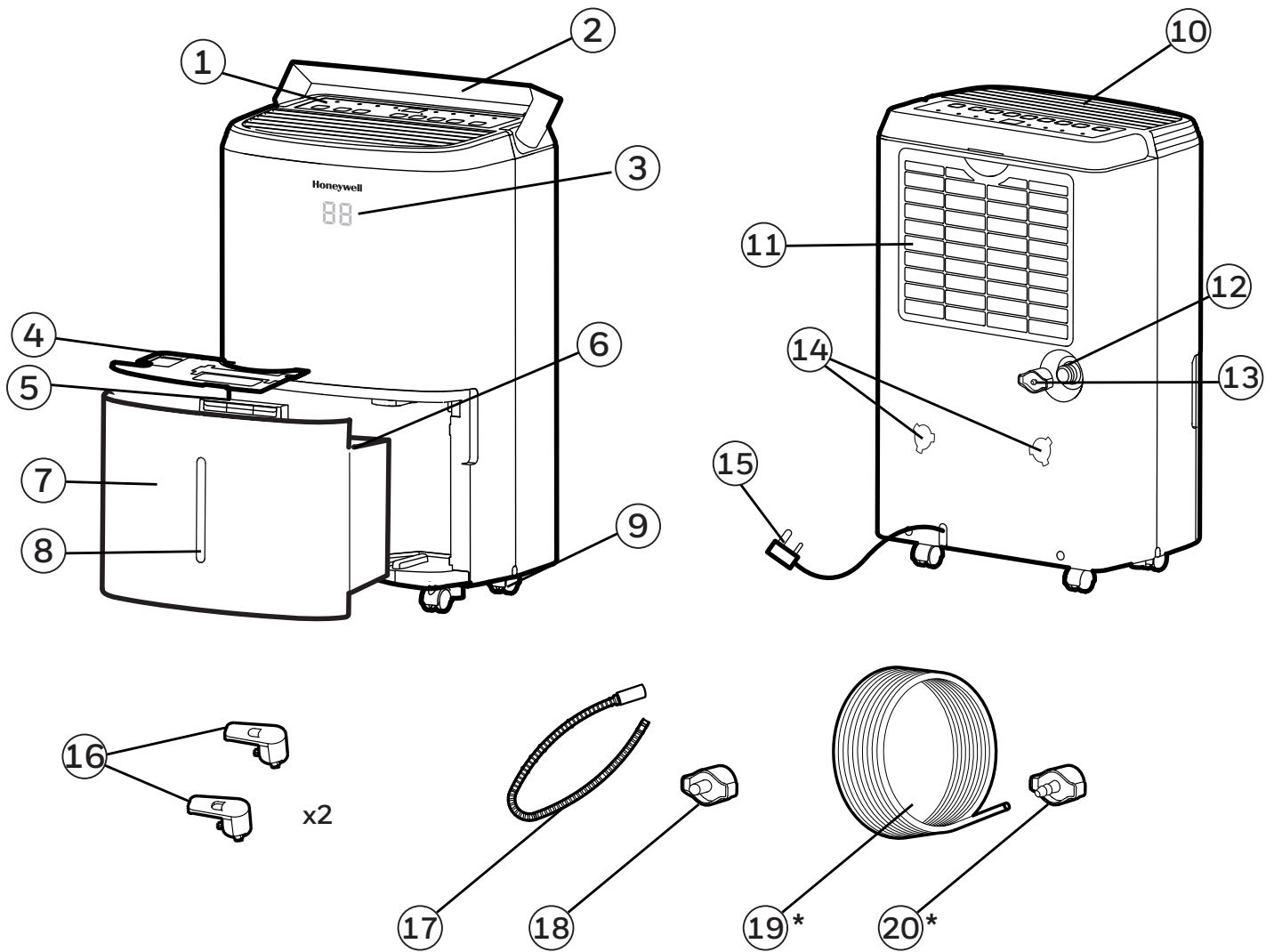
- Dentro del tanque de agua hay un Flotador de Espuma, que registra el nivel del agua para detener la deshumidificación automáticamente cuando el tanque de agua esté lleno. Revise que el Flotador de Espuma está colocado correctamente dentro del tanque de agua asegurándose de que éste esté nivelado con el borde superior del tanque de agua.



**NO quite este flotador de espuma de poliuretano.**



# DESCRIPCIÓN DE PARTES



- |                               |  |
|-------------------------------|--|
| 1) Panel de Control           | 10) Ventila de Aire                                |
| 2) Manija                     | 11) Filtro de Polvo Lavable                        |
| 3) Pantalla LED               | 12) Salida de Drenado Directo                      |
| 4) Guardasalpicaduras         | 13) Tapa del Drenado Directo                       |
| 5) Manija del Tanque de Agua  | 14) Agujeros de Montaje para Enrolladores de Cable |
| 6) Flotador de Poliuretano    | 15) Cable de Alimentación & Enchufe                |
| 7) Depósito de Agua           | 16) Enrolladores de Cable                          |
| 8) Indicador de Nivel de Agua | 17) Tubo de Drenado Continuo de Agua               |
| 9) Llantas                    | 18) Tapa del Drenado Continuo de Agua              |

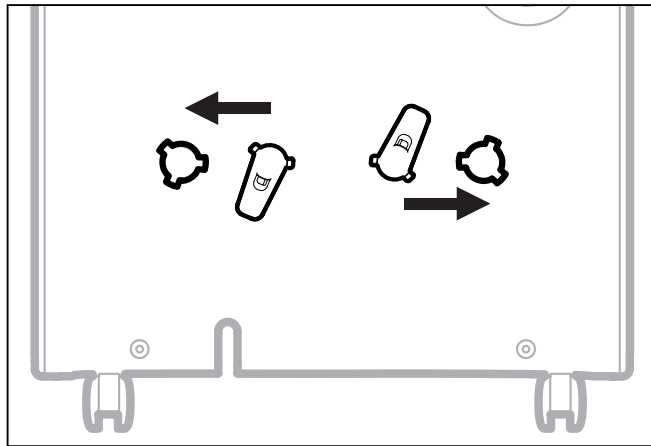
**\*ESTO ES SOLO PARA LOS MODELOS TP55PN / TP70P / TP70PN CON BOMBA DE DRENADO INTERCONSTRUIDA**

- |  |  |
|--|--|
| 19) Tubo de la Bomba de Drenado Automático | 20) Tapa de la Bomba de Drenado Automático |
|--|--|

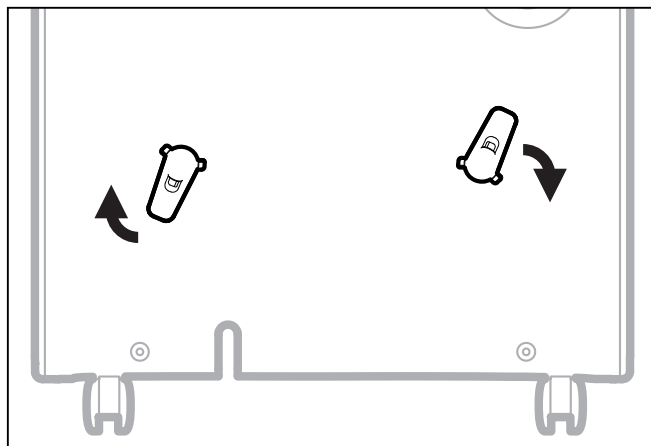
# INTALACIÓN DEL ENROLLADOR DE CABLE

Una vez que haya usted sacado los accesorios del enrollador de cable del tanque de agua - continúe con los pasos siguientes:

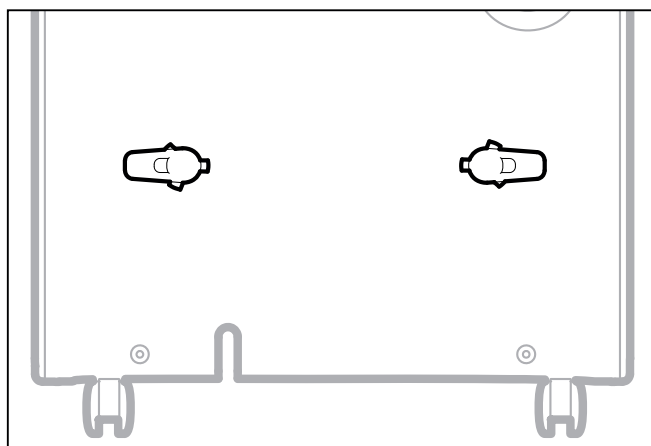
Paso 1: Alínee las piezas del enrollador de cable con los agujeros de montaje.



Paso 1: Gire 45 grados en dirección a las manecillas del reloj.

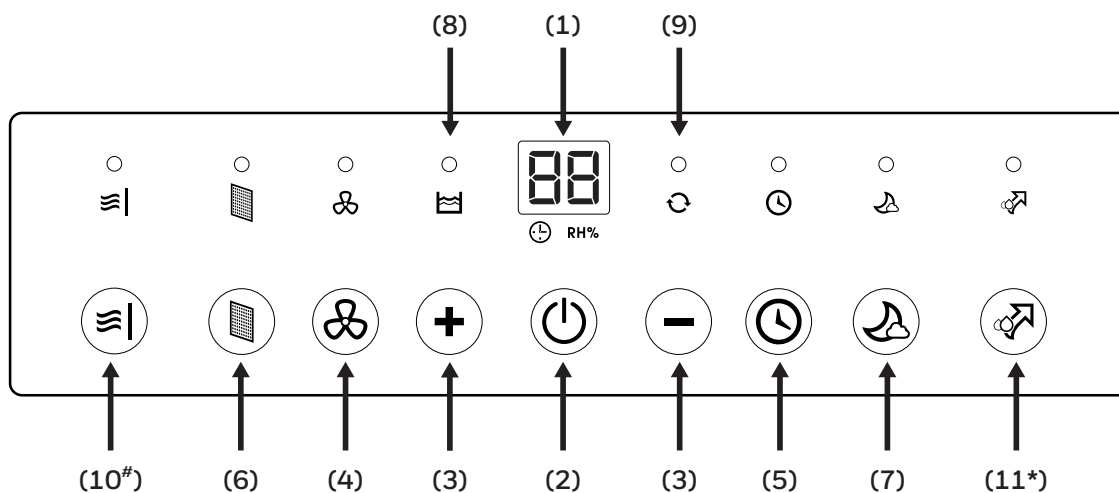


Paso 1: Un vez que escuche el "click", sabrá usted que el enrollador de cable está listo para usarse.



**NOTA:** Una vez que la instalación del enrollador de cable ha sido completada, el enrollador de cable no pueden quitarse. La instalación es permanente.

## PANEL DE CONTROL



- |  |   |
|--|---|
| 1) Pantalla LED                                | 6) Alerta del Filtro                      |
| 2) Control de Encendido                        | 7) Modo Nocturno                          |
| 3) Control de Humedad/<br>Temporizador Ajustes | 8) Indicador del Nivel de<br>Agua con Luz |
| 4) Control de Velocidad de Ventilador          | 9) Luz de Operación Continua              |
| 5) Control de Temporizador                     |   |

**#ESTO ES ÚNICAMENTE PARA EL MODELO TP50H / TP50HN CON TECNOLOGÍA PTC**

- 10) Modo PTC

**\* ESTO ES SOLO PARA LOS MODELO TP55PN / TP70P / TP70PN  
CON BOMBA DE DRENADO INTERCONSTRUIDA**

- 11) Modo de la Bomba de  
Drenado Automático

## BOTONES DE FUNCIÓN

### CONTROL DE ENCENDIDO

Presionato  para encender o apagar el deshumidificador.

### CONTROL DE PROGRAMACIÓN DE HUMEDAD





 RH%

Cuando la unidad es ENCENDIDA, el Display De Humedad muestra el porcentaje de humedad actual. Presione **+** ó **-** para seleccionar su nivel preferido de humedad. La humedad es ajustable en incrementos de 5% presionando **+** ó **-**. El rango de humedad ajustable (RH) es entre el 30% RH y el 90%. Diez segundos después de que se seleccione la configuración de humedad preferida, el display volverá a mostrar la humedad actual.



**Configuración Recomendada:** Es recomendable dejar la unidad corriendo al 30% de humedad con una velocidad alta en el ventilador durante los primeros 2 o 3 días hasta que los olores a humedad se hayan eliminado. Después de algunos días cuando la humedad relativa se haya reducido a un nivel más confortable, presione **+** ó **-** para seleccionar un porcentaje de RH más alto que mantenga un nivel cómodo de humedad en lo posterior. Un nivel saludable de humedad recomendado está entre el 40% y el 50%.

**NOTA:** El sensor de humedad registra la humedad actual en el área circundante. Es normal que haya algunos grados de variación de la sensibilidad a la humedad del sensor.

### MODO CONTÍNUO

Para activar el modo continuo, presione el botón **—** en la Pantalla hasta que aparezca . La luz del indicador  iluminará. La unidad operará continuamente.

### ALERTA DE TANQUE DE AGUA LLENO

Cuando el Tanque de Agua está lleno, el indicador  se iluminará. La unidad sonará Beep por 3 segundos. El compresor se apagará, y el ventilador se detendrá por unos minutos. Para apagar la luz del indicador , vacíe el tanque de agua y cuando vuelva a colocarlo, asegúrese de que el tanque está colocado correctamente en su lugar.

**IMPORTANTE:** No coloque el Tanque de Agua en el piso cuando esté lleno. En caso de una base desigual, que causaría que el tanque se desborde.




## BOTONES DE FUNCIÓN (CONTINUACIÓN)

### CONTROL DE TEMPORIZADOR




El deshumidificador puede ser programado para que se ENCIENDA o APAGUE después de un periodo de tiempo (entre 0,5-24 horas). La selección de horas del temporizador es mostrada en la pantalla de Temporizador/Temperatura.

**NOTA:** Antes de configurar el control del temporizador, asegúrese de que haya energía para la unidad.

#### Temporizador para Apagado Automático:

Mientras la unidad está operando, presione , la luz del indicador  del cronómetro parpadeará, presione **+** o **-** para elegir el número de horas (0,5-24 horas) que quiere usted que la unidad opere, antes de que se apague. En 5 segundos sin operar, el cronómetro empieza a funcionar, la luz del indicador  se ilumina. El cronómetro debe ser ajustado nuevamente después de cada uso.



#### Temporizador para Encendido Automático:

Cuando la unidad está en modo espera, presione , la luz del indicador  del cronómetro parpadeará, presione **+** o **-** para elegir el número de horas (0,5-24 horas) hasta que usted quiera que la unidad empiece a operar automáticamente. En 5 segundos sin operar, el cronómetro empieza a funcionar, la luz del indicador  se ilumina. La velocidad previa del ventilador y el ajuste de humedad se mantiene. La unidad se encenderá y continuará operando hasta que el tanque de agua esté lleno (a menos que la unidad se ajuste para drenado continuo) o hasta que usted la apague manualmente. El Cronómetro debe ajustarse nuevamente después de cada uso.

**NOTA:** Para cancelar cualquier ajustes del cronómetro, simplemente presione  otra vez, y la luz del indicador  desaparecerá.

**NOTA:** La luz de encendido continua indica que la unidad está en modo espera.

### CONTROL DE VELOCIDAD DE VENTILADOR

Hay dos velocidades del ventilador - Alta y Baja. Cuando la luz del indicador  se ilumina, la unidad está operando a Alta velocidad. Cuando la luz del indicador  está apagada, y la unidad está encendida, entonces la unidad está operando a Baja velocidad.




### ALERTA DEL FILTRO

Cuando la Luz de la Alerta del Filtro está ON, es momento de limpiar el filtro. Desconecte la unidad y con mucho cuidado quite el filtro de la unidad y límpielo. Vuelva a poner el filtro y conecte la unidad.



La Luz de Alerta del Filtro no debe iluminarse hasta que el filtro requiera nuevamente limpieza. La frecuencia de limpieza del filtro depende de las condiciones del ambiente en la habitación. Algunas habitaciones pueden requerir un cambio mas frecuentemente que otras.

## BOTONES DE FUNCIÓN (CONTINUACIÓN)

### MODO NOCTURNO



El brillo de la Pantalla LED se reducirá cuando la unidad este en Modo Nocturno. Presione  para activar el Modo Nocturno. Cuando el Modo Nocturno se activa, la luz del indicador  se iluminará. Existe un período de ventana de un minuto en el que usted puede cambiar los ajustes, tales como humedad y velocidad del ventilador. Después de que ese minuto haya transcurrido, la pantalla superior se apagará, excepto la luz del indicador . Presione cualquier botón para desactivar el Modo Nocturno.

### MODO DE CALEFACTOR PTC#

Presione el  para activar el modo de calefactor PTC, la luz del indicador  se ilumina. La función de Calefactor PTC es adecuada para ambientes con una temperatura de 0°F a 41°F (0°C a 5°C). Esta tecnología ayuda a agregar calor al proceso de deshumidificación, lo cual ayuda a mejorar la eficiencia e incrementa la capacidad deshumidificadora de la unidad.

**#ESTO ES ÚNICAMENTE PARA EL MODELO TP50H / TP50HN CON TECNOLOGÍA PTC**

### MODO DE LA BOMBA DE DRENADO AUTOMÁTICO\*

La función de Bomba de Drenado Automático ayuda a quitar la condensación vertical y horizontalmente. Presione el  para activar la función de Bomba, la luz del indicador  se iluminará.

**\*ES SOLO PARA LOS MODELO TP55PN / TP70P / TP70PN  
CON BOMBA DE DRENADO INTERCONSTRUIDA**

## FUNCIÓN DE AUTO REINICIO

Esta unidad está equipada con una función de Auto Reinicio. Cuando hay un apagón, el deshumidificador reanudará automáticamente sus ajustes previos, en cuanto regrese la energía.

## DESCONGELAMIENTO AUTOMÁTICO


Es posible que se acumule escarcha en las espirales de la unidad. Cuando se acumula escarcha, el compresor interno se apagará y el ventilador continuará operando hasta que la escarcha se haya derretido. Una vez que los espirales internos se hayan descongelado y secado, el compresor o ventilador se reiniciará automáticamente y la deshumidificación se reanudará.

## DRENADO DEL AGUA



**ADVERTENCIA:** Siempre drene y deseche el agua recolectada por la deshumidificación. El agua no está limpia y no puede ser utilizada para beberse.

### 1. Drenado del Agua Recolectada en el Depósito

El agua condensada puede ser recolectada directamente en el depósito de agua. Cuando el depósito está lleno, el deshumidificador se apagará automáticamente y la luz  se iluminará en el panel de control seguida de un sonido de beep.

**MPORTANTE:** No mueva el deshumidificador cuando el depósito de agua esté lleno ya que estará pesado y podría provocar un derrame de agua.

1.1 Localice el tanque de agua al frente del deshumidificador.

Con cuidado saque el tanque de agua.

1.2 Tome la manija dentro del depósito, levántelo y llévelo hasta un lavamanos para vaciarlo.

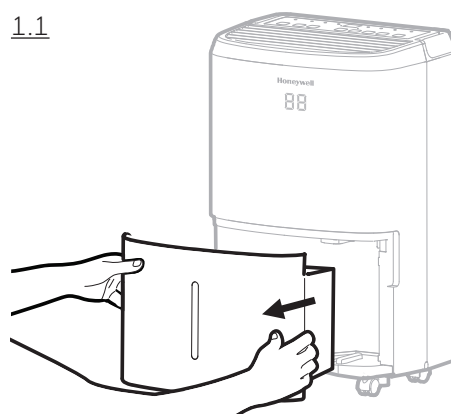
1.3 Vuelva a colocar el tanque de agua vacío al frente del deshumidificador. Por favor asegúrese de que el tanque está colocado correctamente. La función de seguridad hace imposible que la unidad vuelva a encenderse si existe cualquier mala alineación del tanque y la unidad.

**IMPORTANTE:** El posicionamiento o alineación inadecuada del depósito de agua provocará que la unidad interrumpa su operación, la luz de advertencia en el panel de control se iluminará seguida de un sonido beep, hasta que el depósito de agua sea colocado adecuadamente.

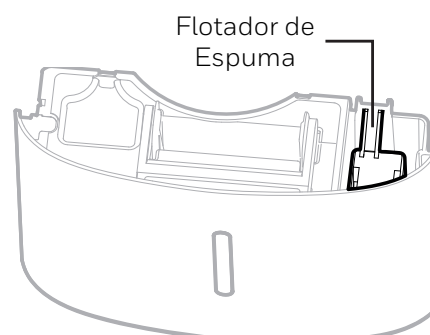
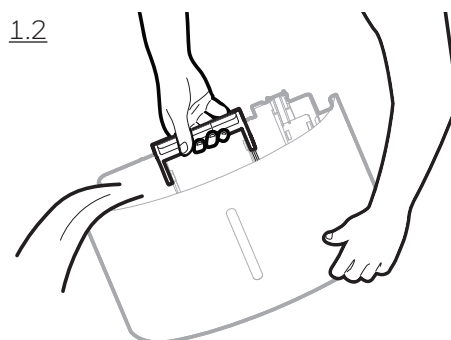
**NOTA:** Hay un Flotador de Espuma dentro del depósito de agua, que detecta el nivel del agua para automáticamente detener la deshumidificación cuando el depósito de agua esté lleno. Cerciérese que el flotador de poliuretano esté colocado correctamente dentro del depósito de agua asegurándose de que esté alineado al nivel de la parte superior del depósito de agua.

**NO quite este Flotador de Espuma de Poliuretano.**

1.1



1.2

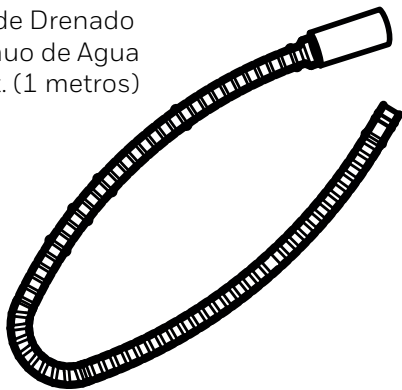


## DRENADO DEL AGUA (CONTINUACIÓN)

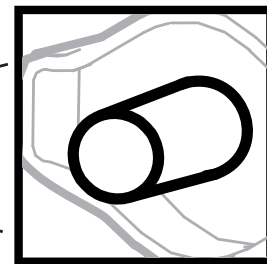
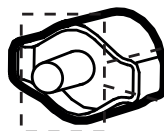
### 2. Drenado de Agua Continuo – Usando el Tubo del Drenado Continuo de Agua

Un tubo de drenado continuo de agua está incluido con esta unidad. Para activar la función de drenado continuo de agua, requerirá usted un drenaje adecuado (por ejemplo la tarja o una coladera en el piso) cerca del deshumidificador.

Tubo de Drenado Continuo de Agua  
3,28 ft. (1 metros)

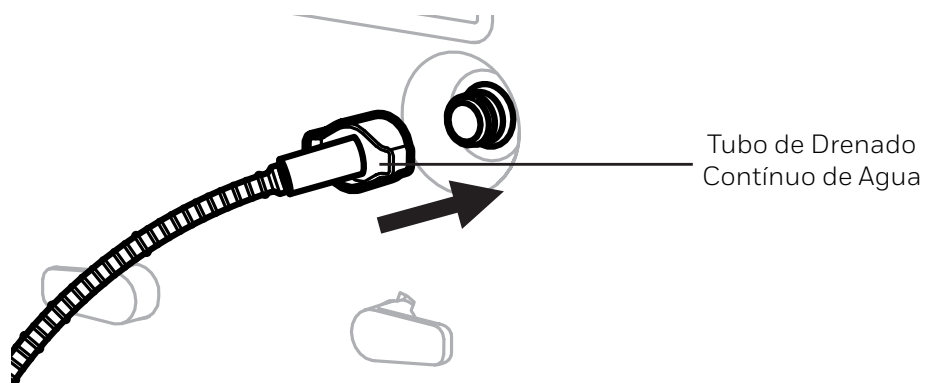
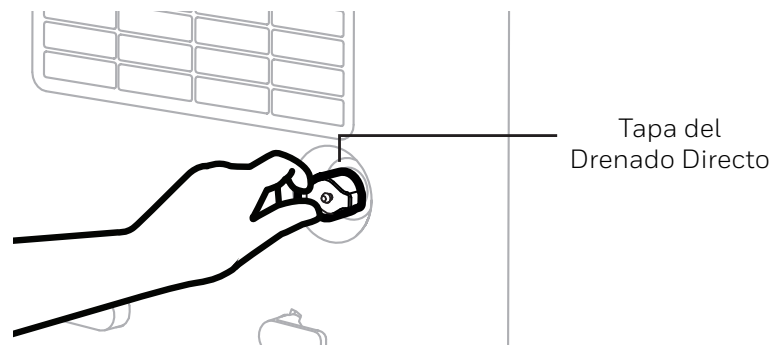


Tapa del Drenado Continuo de Agua



**NOTA:** El Tubo de Drenado Continuo y la Tapa de Drenado Continuo vienen preinstaladas.

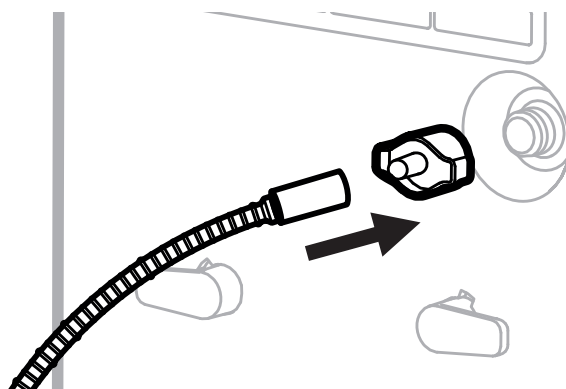
2.1 Localice la conexión de drenado en la parte posterior de la unidad. Desatornille y quite la Tapa de Drenado Directo. Inserte y atornille el Tubo de Drenado Continuo de Agua en la Salida de Drenado Directo



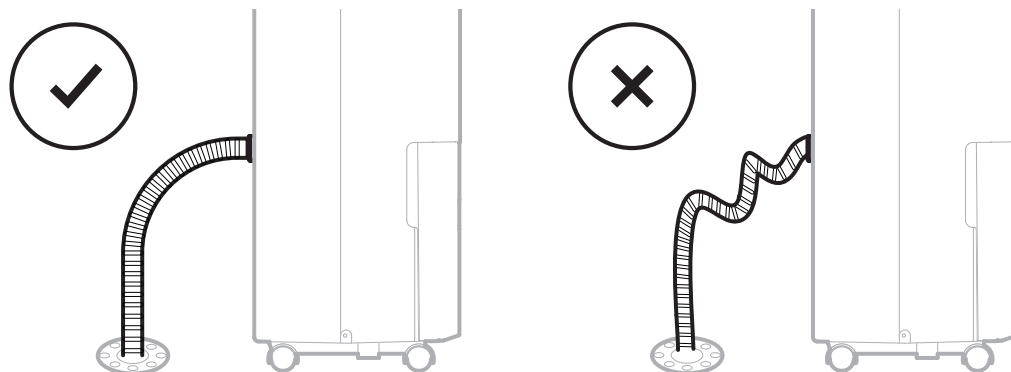


## DRENADO DEL AGUA (CONTINUACIÓN)

2.2 Si hubiera fugas, el Tubo de Drenado Continuo de Agua y la Tapa pueden haberse zafado y pueden no estar correctamente conectados. Desconecte, reemplace y apriételos nuevamente.



2.3 Coloque el otro extremo del Tubo de Drenado Continuo de Agua en el fregadero o desagüe. Asegúrate que el tubo no está doblado ni doblado, lo que podría detener el flujo de agua. Asegúrate de que el tubo esté asegurado el drenaje y no caerá fuera de lugar causando un derrame de agua no deseado.



**IMPORTANTE:** Asegúrese de que el agua puede fluir por la manguera manteniéndola angulada hacia abajo y evitando torceduras o dobleces en la misma.

**IMPORTANTE:** Si la unidad está colocada en suelo desnivelado, o el Tubo de Drenado está instalado incorrectamente, el agua podría llenar el tanque de agua y dejar de operar. Por favor cheque si el suelo está desnivelado y reinstale el Tubo de Drenado.

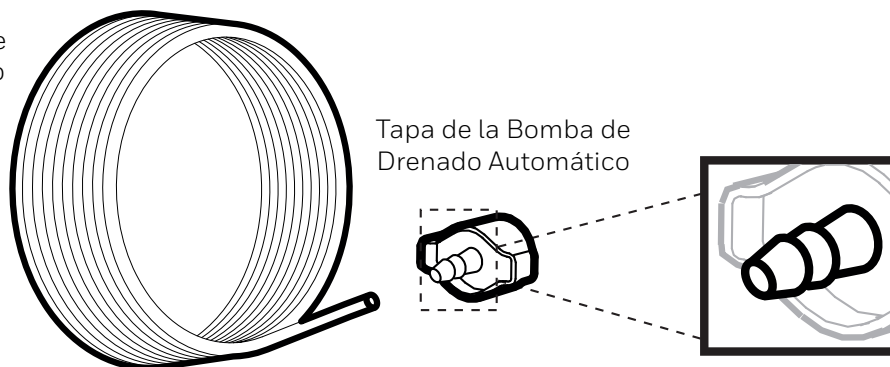
## DRENADO DEL AGUA (CONTINUACIÓN)

### 3. Drenaje de Agua Continuo – Usando la Opción de Bomba de Drenado Automático

**\*ES SOLO PARA LOS MODELO TP55PN / TP70P / TP70PN  
CON BOMBA DE DRENADO INTERCONSTRUIDA**

La Bomba de Drenado Automático está disponible si usted quiere usar la función de drenado continuo, pero si el drenaje está lejos o se encuentra por encima del deshumidificador. el Tubo de la Bomba de Drenado Automático, puede ser unida a la Salida de Drenado Directo que se encuentra en la parte posterior del deshumidificador. Cuando el nivel de agua en el tanque de agua alcanza un determinado nivel, la bomba de drenado bombeará automáticamente el agua fuera del tanque al drenaje. Esto le permite drenar la condensación de agua vertical u horizontalmente, aún si el drenaje está colocado por encima del deshumidificador.

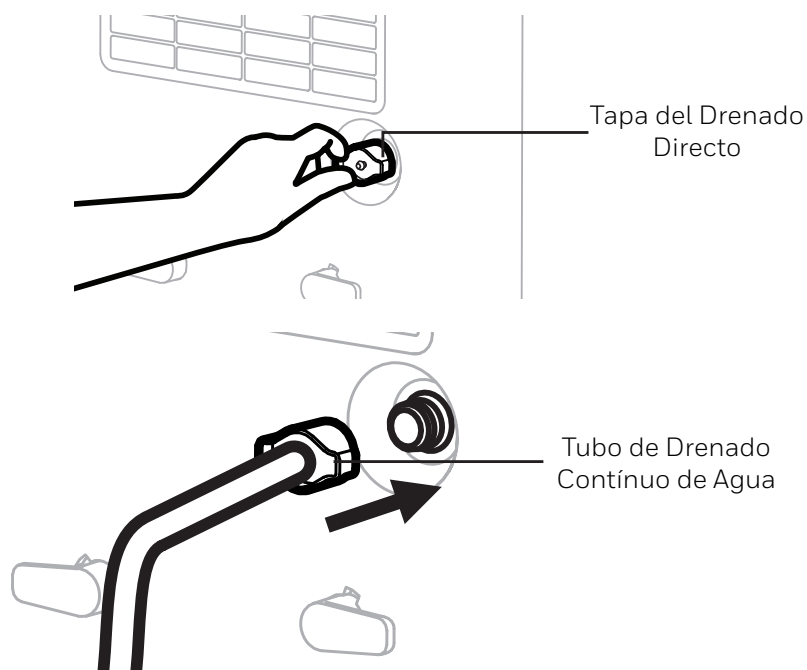
Tubo de la Bomba de  
Drenado Automático  
16,4 ft. (5 metros)



Tapa de la Bomba de  
Drenado Automático

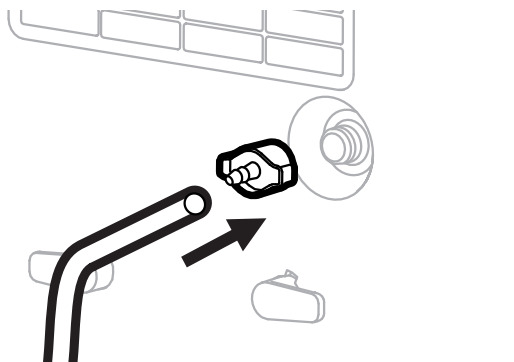
**NOTA:** El Tubo de la Bomba de Drenado Automático y la Tapa de la Bomba de Drenado Automático vienen preinstaladas.



3.1 Localice la conexión de drenado en la parte posterior de la unidad. Desatornille y quite la Tapa del Drenado Directo. Inserte y atornille el Tubo de Drenado Continuo de Agua en la Salida de Drenado Directo.



## DRENADO DEL AGUA (CONTINUACIÓN)

3.2 Si hubiera fugas, el Tubo de la Bomba de Drenado Automático y la Tapa de la Bomba de Drenado Automático pueden haberse zafado y pueden no estar correctamente conectados. Desconecte, reemplace y apriételos nuevamente.



3.3 Para activar la función de Bomba, presione el indicador . Una vez encendido, la luz del indicador  se iluminará.

3.5 Coloque el otro extremo del tubo de drenado dentro del lavamanos o coladera. El agua puede bombearse hasta por 16,4 ft (5 metros) vertical u horizontalmente.

**NOTA: NO USE** un tubo de drenado diferente del que está incluido en la unidad.

*\*El Tubo de la Bomba de Drenado Automático está incluido únicamente en los modelos de Deshumidificador con programa de Bomba de Drenado Automático.*

## LIMPIEZA Y MANTENIMIENTO

**ADVERTENCIA:** Siempre apague el deshumidificador y desconéctelo del suministro eléctrico antes de intentar limpiar o dar mantenimiento a este producto.

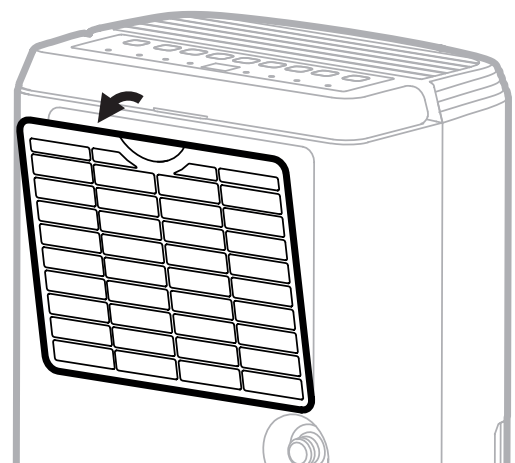
### Mantenimiento del Producto:

- Apague el producto antes de desconectarlo del suministro eléctrico.
- Use solo un paño suave para limpiar el producto.

### Mantenimiento del Filtro de Polvo:

El filtro de polvo colocado en la parte superior de la unidad ayuda a remover partículas de polvo del aire. Un filtro sucio lleno de partículas de polvo puede reducir la eficiencia del deshumidificador. Para una deshumidificación óptima, es recomendable limpiar el filtro cada dos semanas:

1. Apague y desconecte el deshumidificador del contacto eléctrico
2. Con cuidado jale el filtro fuera del deshumidificador.
3. Enjuague el filtro de polvo bajo el chorro de agua, aspire el polvo con una aspiradora.
4. Después de limpiar el filtro de polvo, séquelo en un lugar fresco y sombreado, luego reinstálelo con cuidado dentro de la unidad.



### Mantenimiento y Almacenamiento por Fin de Temporada:

#### Si el Producto no Será Usado por un Periodo Largo de Tiempo:


- Apague la unidad y desconéctela del suministro eléctrico.
- Vacíe el depósito de agua y déjelo secar. Si su deshumidificador está conectado al drenado continuo con una manguera, debe desconectar la manguera, secarlo y colocar la tapa de drenado y el tapón de hule en la salida de drenado.
- Retire el filtro de aire y límpielo con agua. Deje que el filtro de aire se seque y reinstálelo en la unidad.
- Asegúrese que todos los elementos del deshumidificador y sus accesorios estén secos antes de almacenarlo.
- Cubra el deshumidificador con un paño/ bolsa de plástico antes de almacenarlo, para proteger la superficie de polvo y rayones.
- Es recomendable enrollar el cable de alimentación y colocarlo por encima del nivel del suelo para asegurarse que esté protegido contra dobleces o pliegues.
- Guarde la unidad en posición horizontal, en un lugar seco y alejado de la luz directa del sol.

# GUÍA DE SOLUCIÓN DE PROBLEMAS

La siguiente guía de solución de problemas comprende los problemas más comunes. Si los problemas persisten, llame al servicio de atención a clientes.

PROBLEMA	POSIBLE CAUSA	SOLUCIÓN
El deshumidificador no enciende	No hay electricidad.	Revise que haya energía eléctrica.
	El cable de alimentación no está conectado correctamente.	Retire y conecte nuevamente el cable de alimentación.
	El interruptor de seguridad del enchufe se ha activado.	Reinicie el interruptor de seguridad y espere 3 minutos para conectarlo. Si el problema persiste, contacte al servicio de atención a clientes.
	El tanque de agua no está en la posición correcta.	Posicione el tanque de agua correctamente dentro de la unidad. La unidad no operará hasta que el tanque de agua esté seguro en su lugar.
La unidad está trabajando pero el nivel de humedad no disminuye	El parámetro de humedad seleccionado es muy alto.	Disminuya el parámetro de humedad.
	Una puerta o ventana está abierta, permitiendo que entre humedad nueva.	Asegúrese que todas las puertas y ventanas hacia el exterior estén debidamente cerradas.
	Hay otras fuentes de humedad en la habitación (por ejemplo, agua hirviendo en una estufa).	Encienda el deshumidificador cuando estas fuentes de humedad no estén presentes.
	La temperatura en la habitación es muy baja.	El deshumidificador está diseñado para trabajar con temperaturas entre 41°F (5°C) y 89°F (32°C). La eliminación de humedad se ve ampliamente afectada si la temperatura de la habitación excede este rango de temperaturas.
	El filtro de polvo está sucio u obstruido.	Lave el filtro de polvo.
	La toma o ventila de aire está bloqueada.	Retire cualquier tipo de bloqueo.

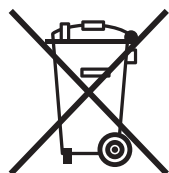
# GUÍA DE SOLUCIÓN DE PROBLEMAS (CONTINUACIÓN)

PROBLEMA	POSIBLE CAUSA	SOLUCIÓN
La unidad está trabajando pero el nivel de humedad no disminuye	Insuficiente tiempo para que el deshumidificador quite la humedad.	Después de la instalación inicial, deje pasar 24 horas para mantener la sequedad deseada.
El deshumidificador trabaja constantemente/ no deja de trabajar	El área a deshumidificar es demasiado grande.	La capacidad de su deshumidificador podría no ser adecuada para el tamaño de la habitación en el que se está usando. Es recomendable añadir un deshumidificador adicional para áreas más grandes.
	Una puerta o ventana está abierta, permitiendo que entre humedad nueva.	Asegúrese que todas las puertas y ventanas hacia el exterior estén debidamente cerradas.
La luz de Depósito de Agua Lleno  está encendida y la unidad emite un beep	El depósito de agua está lleno.	Vacíe el depósito de agua.
	El depósito de agua no está colocado adecuadamente.	Coloque el depósito de agua correctamente. La unidad no funcionará hasta que el depósito de agua esté colocado de forma correcta.
La unidad está soplando aire frío desde la parte alta de la ventila.	EL propósito de la ventila superior de aire es distribuir el aire en la habitación	La temperatura del aire de la ventila depende del ambiente de la habitación y otros factores. Puede fluctuar y esto es normal No se requiere acción alguna.
Hay escarcha en las bobinas del deshumidificador.	El deshumidificador ha sido encendido recientemente en una habitación con la temperatura baja (usualmente debajo de 41°F (5°C)).	Esto es normal. La escarcha desaparecerá en aproximadamente una hora después de que se apague el deshumidificador.
Conectó el desagüe continuo pero la condensación de agua no esté drenando por el tubo	Algunos pisos pueden tener superficies desiguales, lo que puede afectar la función de desagüe continuo.	Eleve el frente del Deshumidificador de 1/2 a 1 pulgada (1,27 a 2,54 cm) del piso. La condensación del agua se drenará por la manguera posterior y no dentro de la cubeta.

# GUÍA DE SOLUCIÓN DE PROBLEMAS (CONTINUACIÓN)

PROBLEMA	POSIBLE CAUSA	SOLUCIÓN
Hay agua en el suelo	La manguera de desagüe podría estar floja	Revise las conexiones entre la manguera y la salida de drenado de la unidad. Consulte la sección de Drenado De Agua Continuo.
	Usted tenía la intención de usar el depósito para recolectar el agua pero la manguera para drenado continuo sigue conectada.	Desconecte la manguera y coloque el tapón de hule y la tapa del drenado si usará el depósito de agua para recolectar el agua. Consulte la sección de Drenado De Agua Continuo.
Hay Ruido	El ventilador está trabajando.	El viento causado por el ventilador puede crear sonidos durante la operación. Estos sonidos son normales.
	El compresor funciona.	Hay un sonido cuando se enciende el compresor. El compresor se activará periódicamente según la configuración de humedad. Esto es normal.

CÓDIGO	POSSIBLE CAUSE	NOTA
P1	Saque el Tanque de Agua	Esto aparece únicamente para el modelo TP55PN / TP70P / TP70PN con Bomba de Drenado interconstruida. Coloque el tanque de agua correctamente dentro de la unidad. La unidad no operará hasta que el tanque de agua este asegurado en su lugar.
EH	Falla del Sensor de Humedad	Favor de contactar al centro de servicio.
E1 / E2	Falla del Sensor de Temperatura	Favor de contactar al centro de servicio.
E3	Fuga de Gas	<p>Si E3 aparece. Por favor revise si el rango temperatura ambiente está por debajo de 89.5°F (32°C).</p> <p>Si la temperatura ambiente está por encima de 89.5°F (32°C) coloque la unidad por debajo de 86°F (30°C) durante 2 horas, antes de operar nuevamente el Deshumidificador.</p> <p>Si el E3 aparece nuevamente en 2 horas, por favor contactar al centro de servicio.</p>



Los productos eléctricos deben ser desechados adecuadamente.  
Por favor reciclar en donde existan instalaciones para hacerlo.  
Consulte con sus autoridades locales o proveedor para mayor información sobre el reciclaje.



# REGULATION STATEMENT

## FCC STATEMENT

This device complies with part 15 of the FCC Rules. Operation is subject to following two conditions:

- (1) this device may not cause harmful interference, and
- (2) this device must accept any interference received, including interference that may cause undesired operation.

This equipment has been tested and found to comply with the limits for a Class B digital device, pursuant to part 15 of the FCC Rules. These limits are designed to provide reasonable protection against harmful interference in a residential installation. This equipment generates, uses and can radiate radio frequency energy and, if not installed and used in accordance with the instructions, may cause harmful interference to radio communications. However, there is no guarantee that interference will not occur in a particular installation. If this equipment does cause harmful interference to radio or television reception, which can be determined by turning the equipment off and on, the user is encouraged to try to correct the interference by one or more of the following measures:

- Reorient or relocate the receiving antenna.
- Increase the separation between the equipment and the receiver.
- Connect the equipment into an outlet on a circuit different from that to which the receiver is connected.
- Consult the dealer or an experienced radio/ TV technician for help

Caution: Any changes or modifications not expressly approved by the party responsible for compliance could void the user's authority to operate the equipment.

## INDUSTRY CANADA (IC) STATEMENT

This device complies with Industry Canada license-exempt RSS standard(s). Operation is subject to the following two conditions:

- (1) this device may not cause interference, and
- (2) this device must accept any interference, including interference that may cause undesired operation of the device.

# DÉCLARATION DE RÈGLEMENT

## DÉCLARATION DE LA FCC

Énoncé relatif à la Commission des communications fédérales (FCC). Cet appareil est conforme à la section 15 du règlement de la FCC. Le fonctionnement est soumis aux deux conditions suivantes:

- (1) cet appareil ne doit pas émettre de brouillage nuisible, et
- (2) cet appareil doit accepter tout brouillage, y compris tout brouillage qui pourrait occasionner un fonctionnement indésirable.

Cet appareil a fait l'objet de tests et il a été trouvé conforme aux limites établies pour un appareil numérique de Classe B comme il est stipulé à la section 15 du règlement de la FCC. Ces limites sont établies pour assurer une protection raisonnable contre le brouillage nuisible dans un environnement résidentiel. Ce matériel génère, utilise et peut émettre de l'énergie de fréquence radio et, s'il n'est pas installé et utilisé conformément aux instructions, il peut provoquer un brouillage nuisible aux communications radio. Cependant, on ne peut garantir que le brouillage n'aura pas lieu dans le cadre d'une installation particulière. Si ce matériel cause un brouillage nuisible de la réception radio ou de la télévision, ce qui peut être déterminé en éteignant et en remettant l'appareil en marche, il est indiqué de remédier à la situation en prenant les mesures suivantes:

- Réorienter ou déplacer l'antenne réceptrice.
- Augmenter la distance entre l'appareil et le récepteur.
- Brancher l'appareil dans une prise de courant sur un circuit différent de celui auquel le récepteur est branché.
- Consulter le revendeur ou un technicien radio/télé expérimenté pour obtenir de l'aide.

Mise en garde de la FCC: Pour assurer la conformité de cet appareil, suivre les consignes d'installation fournies. Tout changement ou toute modification non expressément autorisée par la partie responsable de la conformité risque d'annuler la permission qu'a l'utilisateur de faire fonctionner le présent appareil.

## DÉCLARATION D'INDUSTRIE CANADA (IC)

Cet appareil est conforme aux CNR exemptes de licence d'Industrie Canada . Son fonctionnement est soumis aux deux conditions suivantes :

- (1) Ce dispositif ne peut causer d'interférences ; et
- (2) Ce dispositif doit accepter toute interférence , y compris les interférences qui peuvent causer un mauvais fonctionnement de l'appareil.

# DECLARACIÓN DE REGLAMENTO

## DECLARACIÓN DE LA FCC

Este dispositivo cumple con la parte 15 de las reglas de la FCC. La utilización del dispositivo está sujeta a dos condiciones:

- (1) Este dispositivo no provoca ninguna interferencia perjudicial.
- (2) Este dispositivo aceptará cualquier interferencia que reciba, incluyendo aquellas que provoquen una operación no deseada.

Se ha probado el equipo y cumple con las condiciones establecidas para dispositivos digitales de clase B por la parte 15 de las reglas de la FCC. Estas condiciones se han establecido con el objetivo de proteger instalaciones residenciales de interferencias peligrosas. Este equipo genera, utiliza y puede emitir energía de frecuencia de radio y, si no se instala y utiliza de acuerdo con las instrucciones, puede provocar interferencias peligrosas en las comunicaciones de radio; sin embargo, no existe garantía alguna de que la interferencia no tenga lugar en una instalación en concreto. Si este equipo provoca interferencia perjudicial en la recepción de radio o televisión, hecho que puede comprobarse apagando y encendiendo el equipo, el usuario tendrá que corregir la interferencia tomando una o varias de las medidas que se detallan a continuación:

- Volver a orientar o colocar la antena receptora.
- Aumentar la separación existente entre el equipo y el receptor.
- Conectar el equipo en un enchufe diferente al que estaba el receptor conectado.
- Consultar al distribuidor o solicitar la ayuda de un técnico especialista en radio y televisión.

Precaución: Se requiere la utilización de cable apantallado para cumplir con los límites de clase B especificados en la subparte B de la parte 15 de las reglas de la FCC. No realice cambios ni modificaciones al equipo a menos que estén especificados en el manual. Si realiza tales cambios o modificaciones, se le puede exigir que pare con la utilización del equipo.

## DECLARACIÓN DE LA INDUSTRIA CANADÁ (IC)

Este dispositivo cumple con los estándares RSS exentos de licencia de Industry Canada.

La operación está sujeta a las siguientes dos condiciones:

- (1) Este dispositivo no puede causar interferencia, y
- (2) Este dispositivo debe aceptar cualquier interferencia, incluidas las interferencias que puedan causar indeseables Funcionamiento del dispositivo.

Customer Support:  
Assistance Au Client:  
Servicio de atención a clientes:  
USA/ EE.UU: 1-800-474-2147  
CANADA/ CANADÁ^ : 1-888-209-0999

^ Canada Customer Support service available for models sold in Canada only.

^ Le Service Client Canadien est disponible uniquement pour les modèles vendus sur le territoire Canadien.

^ Servicio de Atención A Clientes en Canadá disponible solo para modelos vendidos en Canadá.

**ES**

Hecho en China  
© 2019 JMATEK Limited. Todos los derechos reservados.  
La marca Honeywell es usada bajo licencia de Honeywell International Inc. Honeywell International Inc. no representa ni garantiza este producto.  
Este producto es fabricado por Airtek Int'l Corp. Ltd. (subsidiaria de JMATEK Limited).

**FR**

Fabriqué en Chine  
© 2019 JMATEK Limited. Tous droits réservés.  
La marque déposée Honeywell est utilisée en vertu d'une licence de Honeywell International inc.  
Honeywell International inc. ne fait aucune déclaration et ne donne aucune garantie à l'égard de ce produit.  
Ce produit est fabriqué par Airtek Int'l Corp. Itée (une filiale de JMATEK Limited).

**EN**

Made in China  
© 2019 JMATEK Limited. All rights reserved.  
The Honeywell Trademark is used under license from Honeywell International Inc.  
Honeywell International Inc. makes no representations or warranties with respect to this product.  
This product is manufactured by Airtek Int'l Corp. Ltd. (subsidiary of JMATEK Ltd.).

**JMATEK North America LLC**  
Mahwah, New Jersey 07495 USA  
Email: [usinfo@jmatek.com](mailto:usinfo@jmatek.com)  
Web: [www.jmatek.com](http://www.jmatek.com)

**Honeywell**