


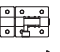

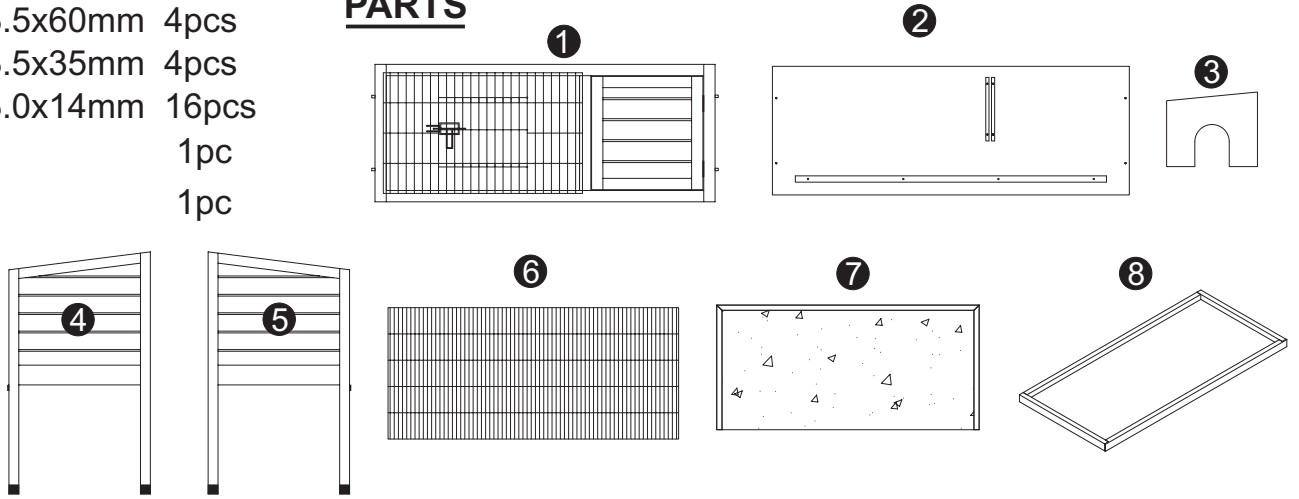


ASSEMBLY INSTRUCTION

DDP-8062LE


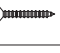


- A  3.5x60mm 4pcs
- B  3.5x35mm 4pcs
- C  3.0x14mm 16pcs
- D  1pc
- R  1pc

PARTS




ASSEMBLY

1



A  x4 D  x1
 B  x4 C  x6

2

3

C  x6

4

R  x1
 C  x4