

ASSEMBLY INSTRUCTION

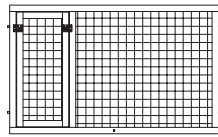
DDP-1522

PARTS

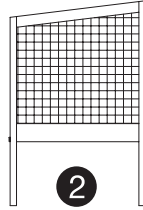
(A)  3.5x40mm 8pcs

(B)  3.5x35mm 4pcs

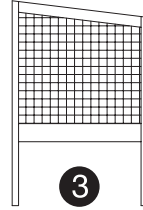
(C)  3x12mm 6pcs



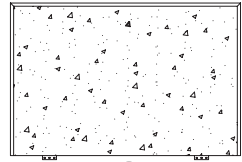
1



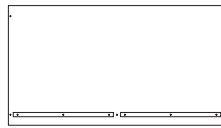
2



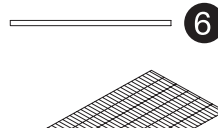
3



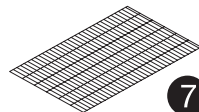
4



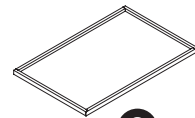
5



6



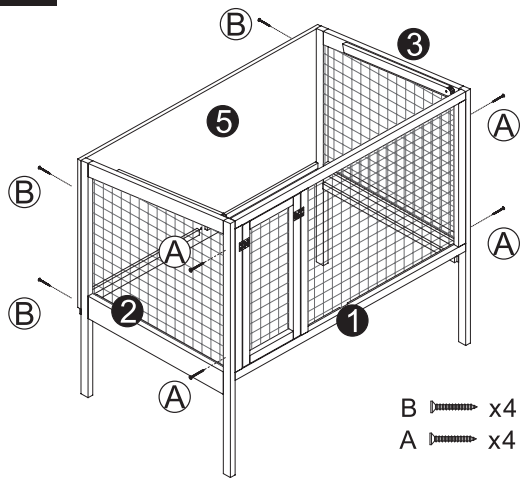
7



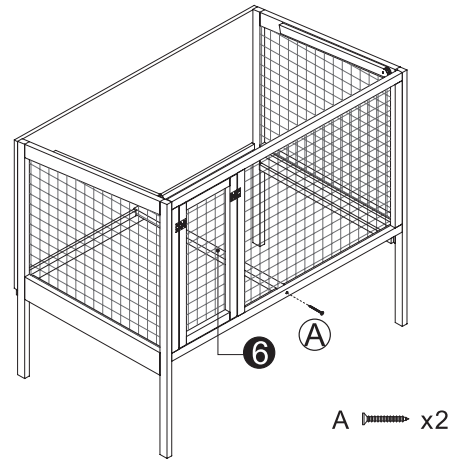
8

ASSEMBLY

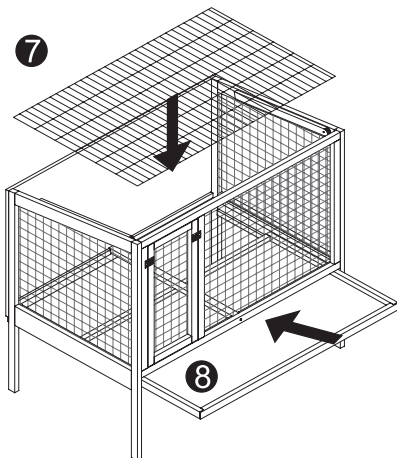
STEP 1 CONNECT WALL PANELS



STEP 2 ATTACH FLOOR BEAM



STEP 3 INSERT PAN & MESH FLOOR



STEP 4 ATTACH ROOF

