

8 C; ' < C I G9

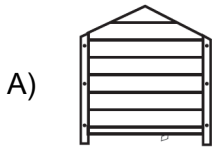
Installation instructions

For Pets Only

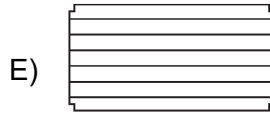


This is not a toy. Under no circumstances should this pet item be used by or for children.
Esto no es un juguete. Bajo ninguna circunstancia este artículo debe ser utilizado por o para niños.

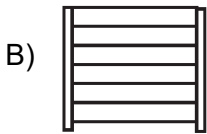
Components:



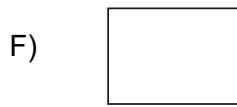
1 PC



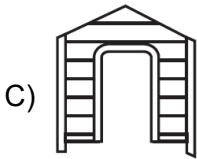
1 PC



2 PCS



2 PCS



1 PC



1 PC



20 PCS

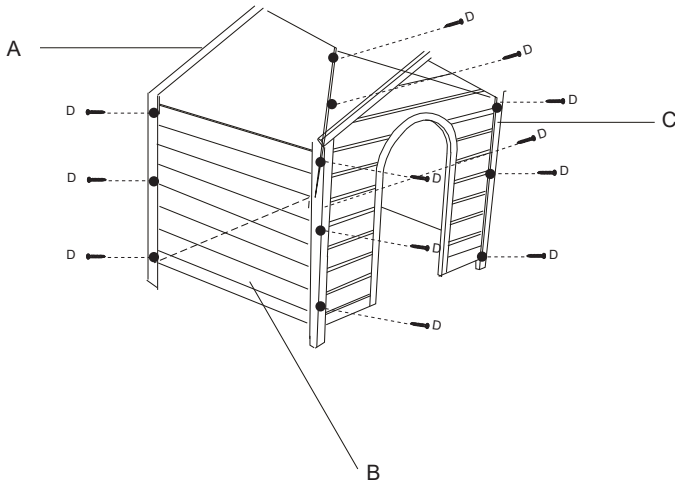
3.5 x 30MM



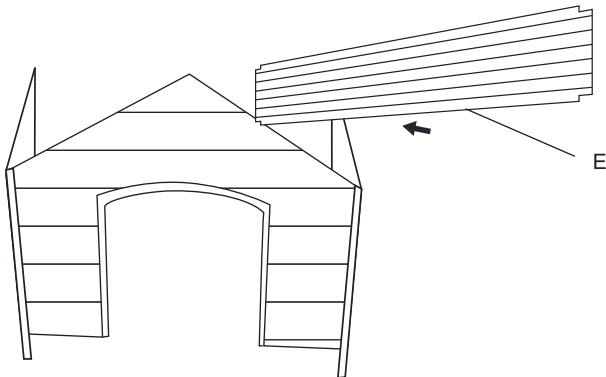
4 PCS

2.5x30MM

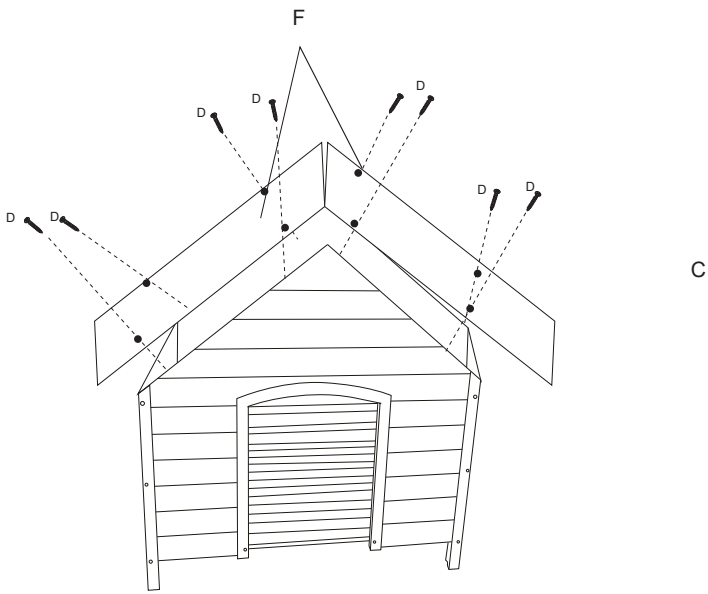
Assembly:



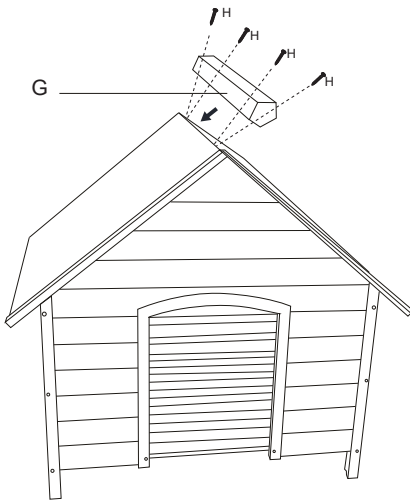
- 1) Secure all 4 walls (parts A,B,C) with 12 screws (part D) as shown above.



- 2) Place part E inside the dog house, this will be the flooring.



3) Place part F on top of the dog house and secure with 8 screws (part D)



4) Add part G and secure with 4 screws (part H)

5) Your dog house is now complete.

WARNING

- This is not a toy. Under no circumstances should this pet stroller be used by or for children.
- Not intended to be used as a restraining device for aggressive animals.
- Do not leave your pet unattended while in the dog house.
- Do not use near an open or exposed flame.
- Do not leave pet unsupervised in dog house
- This dog house is designed for one pet only. Do not place more than one pet in the item.
- Do not exceed the maximum weight of 44 lbs.
- Failure to follow these warnings and the instructions could result in serious injury or death.

**THIS PAGE
INTENTIONALLY
LEFT BLANK**