

# 8 C; ' < C I G9

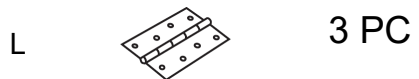
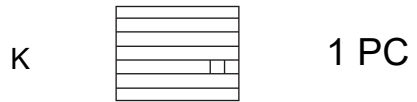
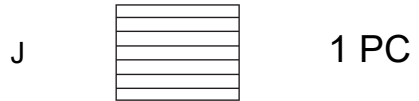
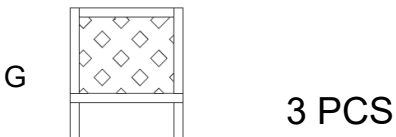
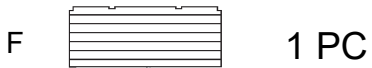
## Installation instructions

For Pets Only

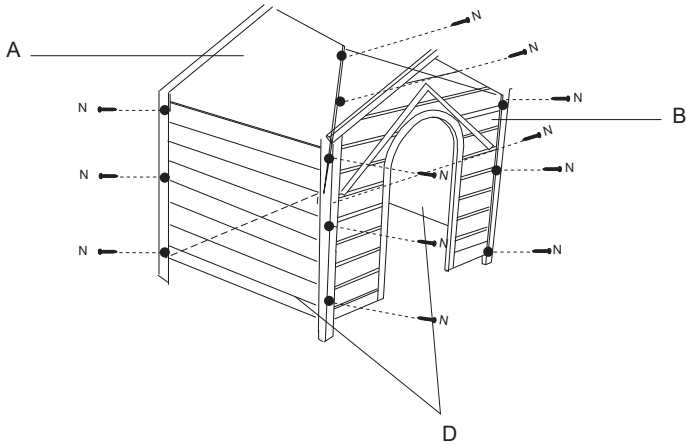


This is not a toy. Under no circumstances should this pet item be used by or for children.  
Esto no es un juguete. Bajo ninguna circunstancia este artículo debe ser utilizado por o para niños.

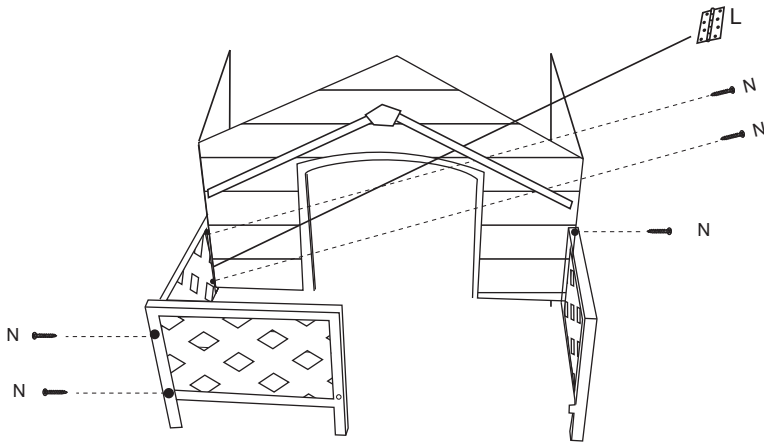
# Components:



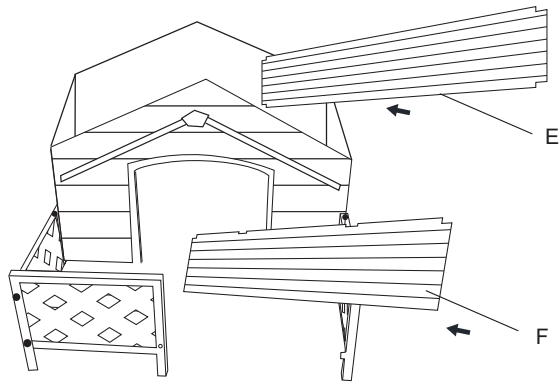
# Assembly:



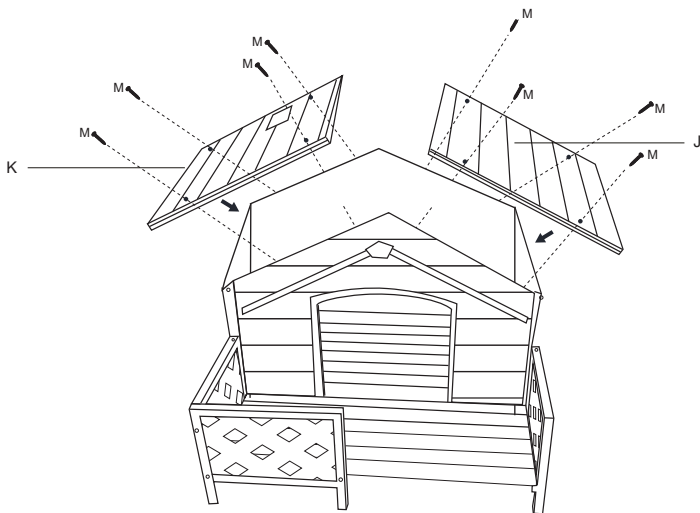
- 1) Secure all 4 walls (parts A,B,D) with 12 screws (part N) as shown above.



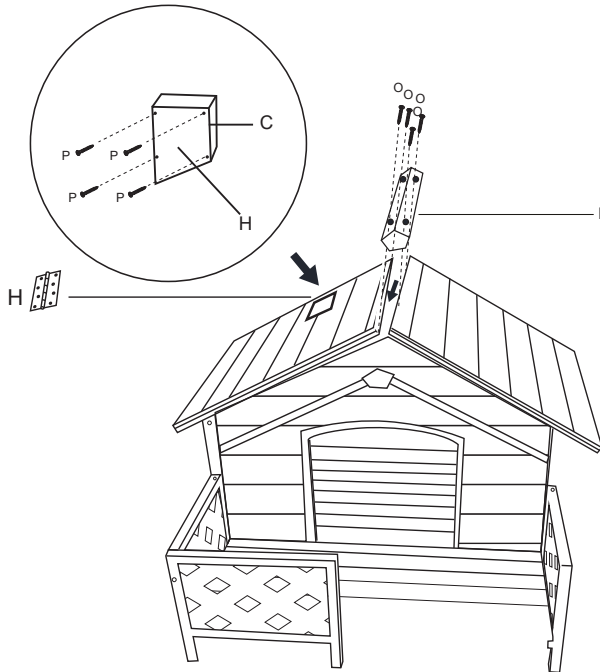
- 2) Assemble the fence with 3 screws (Part N).  
Use 2 screws (Part N) to place Part L on the left side of the fence.



3) Place Part F on the porch for the floor, as shown above. Part E will be placed inside the house for the dog house flooring.



4) To assemble the roof, place part K on the left and part J on the right. Secure the roof with 8 screws (part M).



5) Place part I in the middle of the roof as shown above, and secure it with 4 screws (part O). Attach part H and C on top of the roof, secure with 4 screws, (part P). Lastly, attach part H with 4 screws (part P), this will secure the chimney to the roof.

6) Assembly is now complete. Enjoy!

# WARNING

- This is not a toy. Under no circumstances should this dog house be used by or for children.
- Not intended to be used as a restraining device for aggressive animals.
- Do not leave your pet unattended while in the dog house.
- Do not use near an open or exposed flame.
- Do not leave pet unsupervised in dog house
- This dog house is designed for one pet only. Do not place more than one pet in the item.
- Do not exceed the maximum weight of 44 lbs.
- Failure to follow these warnings and the instructions could result in serious injury or death.