



Count on it.

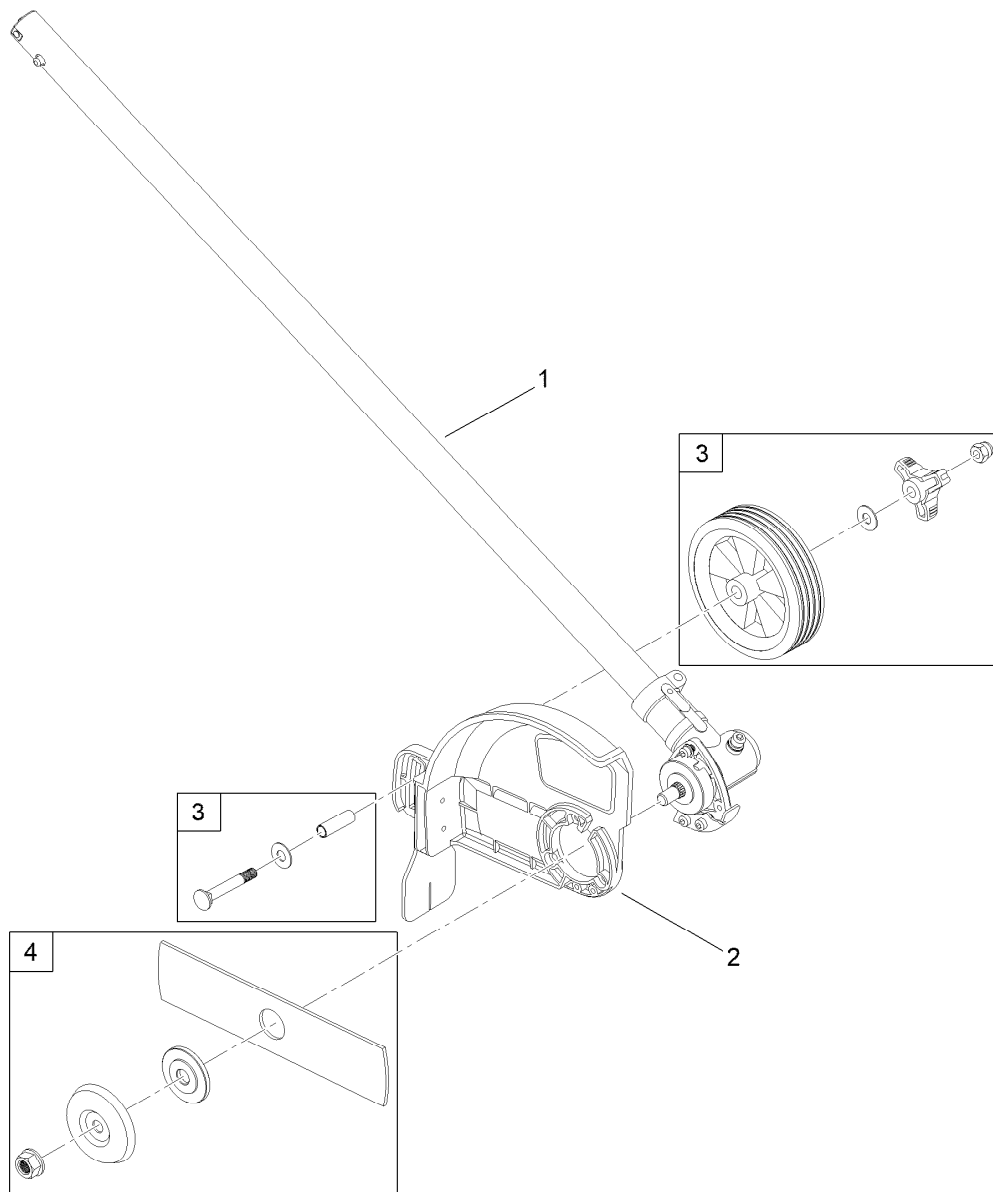
Parts Catalog

Stick Edger Attachment

Flex-Force Power System™ 60V MAX String Trimmer

Model No. 88710—Serial No. 322000001 and Up





Stick Edger Attachment Assembly Flex-Force Power System 60V MAX String Trimmer

<i>Ref.</i>	<i>Part Number</i>	<i>Qty.</i>	<i>Description</i>
1		1	Shaft-Edger ●
2	145-4875	1	Guard
3	145-4874	1	Wheel ASM
4	145-4873	1	Blade ASM

● Not serviced separately

Attachments and Accessories

For 88710 Stick Edger Attachment Flex-Force Power System 60V MAX String Trimmer

Product Name	Model/Part
60V Battery Charger 2 AMP	88602
60V Rapid Battery Charger 5.4 AMP	88605
60V Battery Charger 1 AMP	88610
60V 2.0 AH Battery	88620
60V LI-ION Battery 2.5 AH.....	88625
60V LI-ION, Battery 4.0 AH	88640
60V LI-ION Battery 5.0 AH.....	88650
60V LI-ION Battery 6.0 AH.....	88660
60V LI-ION Battery 7.5 AH.....	88675



Count on it.