



WE ARE HUNTERS

Operator's Manual

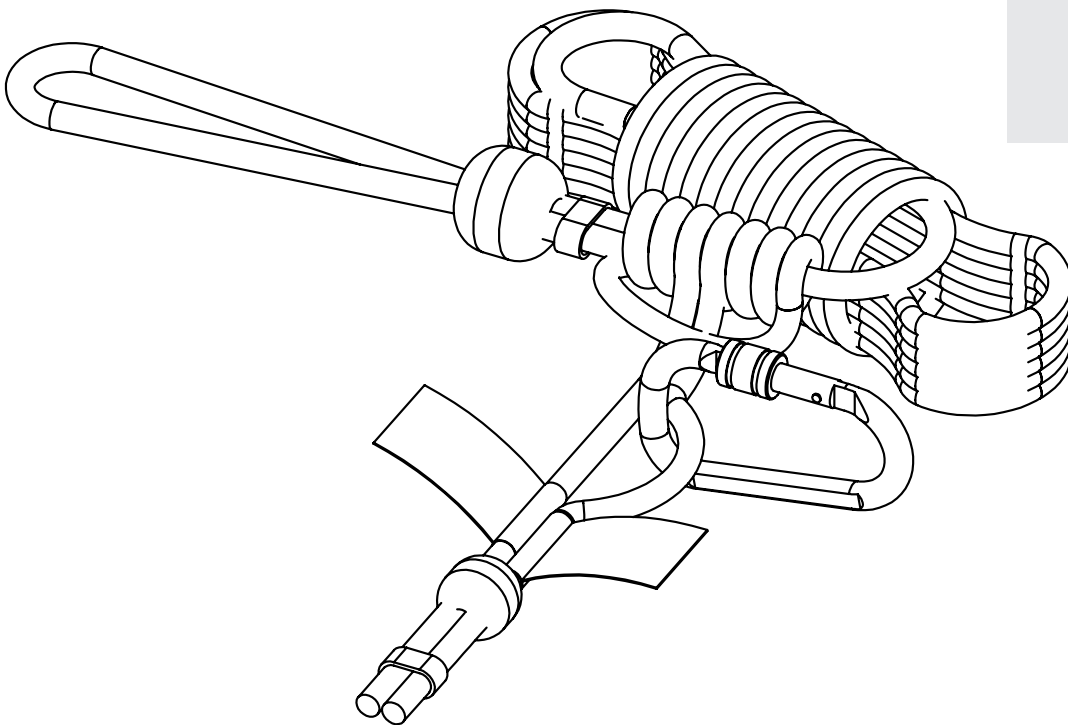
30' SAFETY ROPE

MODEL RE787

Maximum Field Rating

300 lbs

Wear Your Harness!



Get parts online at
www.HuntRiversEdge.com

© 2022 Ardisam
All Rights Reserved

P/N: 35757
C/N: 35866
REV5: 02/07/22

INTRODUCTION

If for any reason you have a problem with your product or are missing any parts, **DO NOT return to the retailer**, contact Rivers Edge® Customer Service Department at 800-345-6007 for assistance. For safety reasons, take time to read each section of these instructions for proper attachment, use and maintenance of this safety rope.

To ensure your personal safety, you must read these instructions before using this product. Failure to do so could result in serious personal injury or death. It is the responsibility of the user to follow all instructions provided, warnings listed, installation, set up, and use of this product.

If you have any questions or do not understand any instructions or warnings listed please call 800-345-6007 before attempting to use.

WARRANTY

RETI offers a **one-year warranty** for this product. These warranties apply to the original owner with a proof of purchase. These warranties begin on the date of purchase by the first retail consumer and continue for the period specified above. These warranties apply to products that are not modified, abused or used in a manner that deviates from the product's intended usage. Minor fading in color is normal and is not covered by warranty. Any corrosion of painted surfaces that occurs as a result of paint being removed or damaged is also not covered by warranty. RETI offers no other warranty expressed or implied. Products for which warranty work has been approved must be sent directly to RETI and performed by RETI. **To obtain warranty service and/or replacement instructions, you must obtain prior approval from RETI before shipping your package to us by calling our customer service department at 800-345-6007 or by writing to: Ardisam, Inc., P.O. Box 755, 1730 Industrial Avenue, Cumberland, WI 54829 for a return material authorization number (RMA#).** All items must be shipped prepaid. RETI will, at no charge, repair or replace, in RETI's sole discretion, any product that satisfies the conditions stated above. RETI retains the right to change models, specifications and price without notice.

This equipment has been manufactured under strict quality and safety guidelines. As with any equipment of this type, full understanding of the instructions and its use is mandatory and imperative for the safety of its user. RETI is not responsible for any damages or injuries sustained due to improper use or modification of any of its products, or resulting from any use which deviates from the product's intended usage. RETI is not responsible for any injuries sustained due to failure to read and adhere to the instructions for use. Any misunderstanding or questions regarding the products or their use should be directed to RETI prior to any use. **All RETI treestands are sold with a full body harness ("Fall Arrest System") that meets standards recognized by the Treestand Manufacturer's Association ("TMA").** It is the owner's sole responsibility to inspect the product regularly for damage, improper installation, or conditions that could jeopardize the ultimate safety of the product. Failure to use with a Fall Arrest System may result in serious injury or death. **Owner is responsible to understand and follow product field weight rating and must never exceed maximum weight rating.** RETI is not responsible for any malfunction or injury resulting from normal wear and tear, damage caused by improper use, improper maintenance, negligence or accidents. This product, if used safely as intended, will provide trouble free service for the useful life of the product. We hope you will enjoy the quality of our products for years to come, and have a safe hunt.

 **WARNING**

- ▲ **Failure to follow all warnings listed could result in serious injury or death.**
- ▲ **Failure to discard and remove this safety rope from service after 3 years from manufacture date, when any signs of damage or wear exist, or after arresting a fall, could result in serious injury or death.**
- ▲ This product carries a strict weight restriction of 300 lbs. **Do Not** use this product if you exceed the total weight limit. Please note that the total weight limit includes the user and their equipment.
- ▲ **Always** inspect this product and all safety devices each time before use and **Never** use a damaged or expired product.
- ▲ **Never** use this product during inclement weather such as rain, lightning, windstorms or icy conditions and end your hunt and return to the ground if inclement conditions arise.
- ▲ **Never** use this product when it has been exposed to moisture and has then froze. If it is stiff and frozen or covered in ice or frost, do not use it until it has thawed completely.
- ▲ **Never** use this product while feeling ill, nauseous or dizzy, or if you have a prior medical condition that could cause a problem, that is, heart condition, joints that lock-up, spinal fusions, etc., or if you are not well rested.
- ▲ **Never** rely on a tree branch for support.
- ▲ Before attempting to use this safety rope, practice installing, set-up, and use at ground level. Once you become comfortable with its set-up and use, you may proceed and use it at heights above ground.
- ▲ **Never** modify this product in any way by making repairs, replacing parts, or altering it.
- ▲ Instructions shall be kept in a safe place and reviewed at least annually. It is the responsibility of the owner to furnish the complete instructions to any person who borrows or purchases this product.
- ▲ **Read and understand** the manufacturer's warnings, expiration date, and instructions on how to properly use.
- ▲ **Never** use on a dead, leaning, diseased or loose barked tree, or a utility pole. Always avoid electrical power lines.

 **WARNING**

- ▲ **Always** store your safety rope out of direct sunlight and any other harsh environmental condition(s) that may adversely affect its performance. Failure to do so could result in serious injury or death.
- ▲ Failure to follow safety rope and harness instructions could result in not being able to return to the stand and being suspended in a harness after a fall. If others are not aware of your hunting location and if your communication efforts are unsuccessful, you must have a personal plan for recovery/escape before you ascend the tree because prolonged suspension in a harness can be fatal. It is important to exercise the legs by pushing against the tree or doing other forms of continuous leg exercises to avoid blood pooling while being suspended. Hunters with varying degrees of physical fitness may require different plans to recover/escape to avoid the effects of prolonged suspension. Have a personal plan and practice it in the presence of a responsible adult before leaving the ground. No one escape/rescue plan will work for every hunter on every tree in every circumstance. Only you can determine the best recovery/escape plan for your hunting situation and you must have a recovery/escape plan for your situation before leaving the ground.

WARNING

- ▲ **You must wear a full body harness (fall arrest system) at all times after leaving the ground. You must stay connected at all times after leaving the ground while using this product. Failure to follow these instructions may result in serious injury or death!**
- ▲ Prior to attempting to use this product, it is important to become familiar with the assembly, setup, installation, use, and removal at ground-level. Failure to follow these instructions may result in serious injury or death!
- ▲ When using the Rivers Edge® Safety Rope, only one user should ascend or descend the tree at a time. Failure to follow these instructions may result in serious injury or death!
- ▲ **Always** test the Prusik knot before each use. Do so by gripping the rope just above of the Prusik knot with one hand and pulling sharply on the carabiner with the other hand. Be sure that it tightens securely. If it does not or you are uncertain about its effectiveness, **DO NOT** use it.
- ▲ **Never** hold the Prusik knot constantly while climbing. Grabbing or holding the Prusik knot in the event of a fall could cause you to slide down the entire length of the rope resulting in serious injury or death.
- ▲ **Never** wash this product in a washing machine.
- ▲ **Always** keep this safety rope out of direct exposure to ozone generated by an ozone generator/machine.
- ▲ **Never** use this product when it has been exposed to moisture and has then froze. If it is stiff and frozen or covered in ice or frost, do not use it until it has thawed completely.

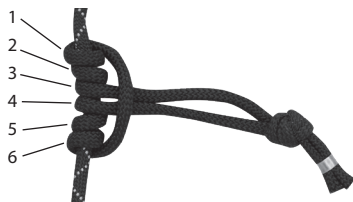
SET-UP & USE INSTRUCTIONS

1. Put on your safety harness making all necessary adjustments and safety checks as per the manufacturer's instructions.
2. Climb up and once you have reached your climbing height, attach the safety rope to the tree just above the treestand by wrapping the knotted loop end around the trunk and then pulling the rest of the line through the knotted loop until snug [**SEE FIGURE 1**].
3. Using the carabiner, attach the harness tether to the loop on the Prusik knot while making sure that the knot is able to move down the length of the rope without interference [**SEE FIGURE 2**].
4. Next, descend the tree while regularly adjusting the Prusik knot so that it is always just above you. **DO NOT** pull/hold the Prusik knot constantly while descending as this may cause the safety rope to fail, resulting in injury or even death.
4. Once on the ground, disconnect the harness from the Prusik knot and loosely tie the bottom of the safety rope to the base of the tree [**SEE FIGURE 3**]. Make sure that the Prusik knot is still able to move from the top to the bottom of the tree without interference.



WARNING

- ▲ This product is designed to work properly when the Prusik knot has 6 loops. The Prusik knot should be inspected **BEFORE** each use and should **NOT** be used unless all 6 loops are present. Failure to follow this warning may result in serious injury or death!



WARNING

- ▲ **DO NOT** use this product without the carabiner in the locked position shown in **FIGURE 2**. Failure to follow these instructions may result in serious injury or death!

1. Turn knob to unlock
2. Press open latch
3. Turn knob to lock

