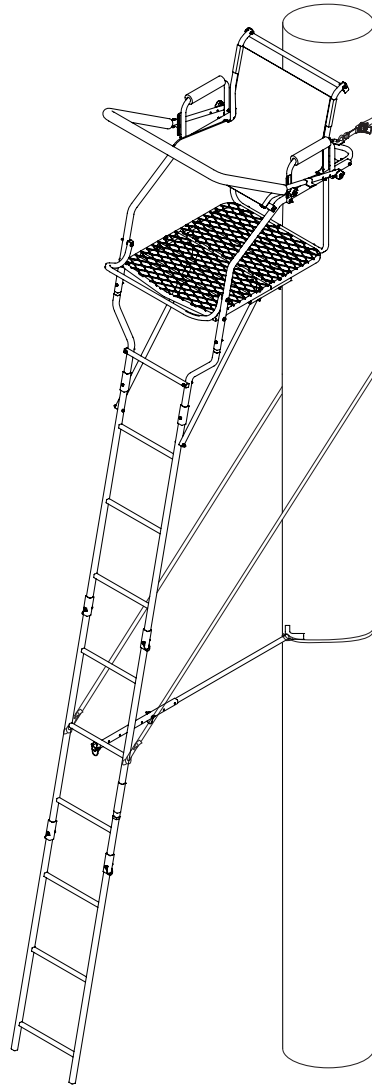




WE ARE HUNTERS



Operator's Manual

JUMBO JACK 1-MAN Ladder Stand

MODEL RE658

Maximum Height
17' 1" to shooting rail

Maximum Field Rating
300 lbs

Tree Diameter Range
12" to 20"

**Wear Your
Harness!**



ATTENTION

**YOU MUST READ ALL WRITTEN INSTRUCTIONS
AND WATCH THIS SAFETY VIDEO BEFORE USING!**



WATCH THIS SAFETY VIDEO BEFORE USING!

Scan →



or Visit →

www.standsafety.com/r3

Scan the QR code with your smart phone, tablet or similar device.

OR

Type the website address into your web browser to view an important safety video before using this product.

LADDER STAND SAFETY

PRODUCT MEETS
INDUSTRY STANDARDS
RECOGNIZED BY



PARTICIPATING MEMBER

Get parts online at
www.HuntRiversEdge.com

© 2022 RETI
All Rights Reserved

P/N: 35939
C/N: 35943, 41454
REV3: 01/31/2022

INTRODUCTION

Rivers Edge® Treestands are engineered with you the hunter in mind. We appreciate your purchase of one of our world class treestands. Follow these few simple instructions and your stand will provide you many years of trouble-free pleasure. Instructions should be kept in a safe place and reviewed at least annually.

If for any reason you have a problem with your product or are missing any parts, **DO NOT return to the retailer**, contact Rivers Edge® Customer Service Department at 800-345-6007 for assistance.

CONTENTS

Introduction/Warranty	2
Warnings.....	3-4
Inspection and Maintenance	4
Hardware Identification Chart.....	5-7
Assembly Instructions	8-13
Warnings.....	14
Setup and Use Instructions.....	15-16
Finished Ladder.....	17
Illustrated Parts Breakdown.....	18-19

WARRANTY

RETI offers a **one-year warranty** for all components of the treestand. These warranties apply to the original owner with a proof of purchase. These warranties begin on the date of purchase by the first retail consumer and continue for the period specified above. These warranties apply to products that are not modified, abused or used in a manner that deviates from the product's intended usage. Minor fading in color is normal and is not covered by warranty. Any corrosion of painted surfaces that occurs as a result of paint being removed or damaged is also not covered by warranty. RETI offers no other warranty expressed or implied. Products for which warranty work has been approved must be sent directly to RETI and performed by RETI. **To obtain warranty service and/or replacement instructions, you must obtain prior approval from RETI before shipping your package to us by calling our customer service department at 800-345-6007 or by writing to: Ardisam, Inc., P.O. Box 755, 1160 Eighth Avenue, Cumberland, WI 54829 for a return material authorization number (RMA#).** All items must be shipped prepaid. RETI will, at no charge, repair or replace, in RETI's sole discretion, any product that satisfies the conditions stated above. RETI retains the right to change models, specifications and price without notice.

This equipment has been manufactured under strict quality and safety guidelines. As with any equipment of this type, full understanding of the instructions and its use is mandatory and imperative for the safety of its user. RETI is not responsible for any damages or injuries sustained due to improper use or modification of any of its products, or resulting from any use which deviates from the product's intended usage. RETI is not responsible for any injuries sustained due to failure to read and adhere to the instructions for use. Any misunderstanding or questions regarding the products of their use should be directed to RETI prior to any use. **All RETI treestands are sold with a full body harness ("Fall Arrest System") that meets standards recognized by the Treestand Manufacturer's Association ("TMA").** It is the owner's sole responsibility to inspect the product regularly for damage, improper installation, or conditions that could jeopardize the ultimate safety of the product. Failure to use or improper use of the provided Fall Arrest System may result in serious injury or death. **ALWAYS wear the provided Fall Arrest System while using this product. Owner is responsible to understand and follow product field weight rating and must never exceed maximum weight rating.** RETI is not responsible for any malfunction or injury resulting from normal wear and tear, damage caused by improper use, improper maintenance, negligence or accidents. This product, if used safely as intended, will provide trouble free service for the useful life of the product. We hope you will enjoy the quality of our products for years to come, and have a safe hunt.

STOP

READ AND UNDERSTAND THE FOLLOWING WARNINGS BEFORE ASSEMBLY

MODEL RE658

MAXIMUM USE HEIGHT - 17'1" TO SHOOTING RAIL

MAXIMUM OCCUPANCY - ONE (1) PERSON

TOTAL WEIGHT LIMIT - 300 LB

TREE DIAMETER RANGE - 12" TO 20"

WARNING

- ▲ This product carries strict height and weight restrictions. **Do Not** use this product if you exceed the total weight limit. Please note that the total weight limit includes the user(s) and their equipment.

WARNING

- ▲ **When hunting from a treestand falls can occur any time after leaving the ground causing injury or death.**
- ▲ **Always** wear a Fall Arrest System (FAS) comprising a full body harness at all times after leaving the ground. You must stay connected at all times after leaving the ground while using climbing and hang-on treestands. Single safety belts and chest harnesses are no longer allowed and shall never be used. If you are not wearing a full body harness properly attached to the tree that is protecting you from a fall, do not leave the ground.
- ▲ **Read and understand** all of the manufacturer's Warnings and Instructions and use all safety devices provided by the manufacturer. Contact the manufacturer for any questions. Failure to do so could result in injury or death.
- ▲ **Never** exceed the total weight limit of the treestand.
- ▲ **Never** use a treestand during inclement weather such as rain, lightning, windstorms or icy conditions and end your hunt and return to the ground if inclement conditions arise.
- ▲ **Never** use a treestand while using drugs (even prescription drugs) or alcohol.
- ▲ **Never** use a treestand while feeling ill, nauseous or dizzy, or if you have a prior medical condition that could cause a problem, that is, heart condition, joints that lock-up, spinal fusions, etc., or if you are not well rested. **Never** sleep in stand.
- ▲ **Never** use a treestand on a dead, leaning, diseased or loose barked tree, or a utility pole. **Always** avoid electrical power lines.
- ▲ **Never** rely on a tree branch for support.

WARNING

- ▲ **Never** jump or bounce on a treestand to seat it to the tree.
- ▲ Pull up a bow, backpack, or firearm or other equipment only after being secure in the treestand and a firearm must be pulled up with it unloaded, chamber open, and muzzle down.
- ▲ **Always** inform someone of the hunting location, where the treestand will be located and the expected duration of the hunt.
- ▲ A signal device such as a mobile phone, radio, whistle, signal flare or personal locator device (PLD) must be on your person and readily available at all times.
- ▲ Inspect the treestand and all safety devices each time before use and **Do Not** store a treestand outdoors when not in use.
- ▲ **Never** modify your treestand in any way by making repairs, replacing parts, or altering it except if explicitly authorized in writing by the manufacturer.
- ▲ Practice installing, adjusting and using your treestand at ground level prior to using it at elevated positions. Study your new stand to become familiar with all of its features and design. Doing so will confirm that the product is manufactured, assembled and installed correctly.
- ▲ Instructions (written and video) shall be kept in a safe place and reviewed at least annually. It is the responsibility of the treestand owner to furnish the complete instructions to any person who borrows or purchases the treestand.
- ▲ Use at least three (3) people to install or take down a ladder treestand.
- ▲ The criss-cross straps/ropes and stabilization devices must be attached before climbing to the platform.
- ▲ When installing a ladder stand, always bounce on the first rung to set the ladder into the ground according to manufacturer's instructions before proceeding to climb any higher.
- ▲ Check every ladder section connection every time you use the stand before you leave the ground. If ladder sections are separating, do not use the stand.
- ▲ Check the ground under the stand to make sure it is firm and level. Sloping ground or uneven surface (one side on a rock) can cause your ladder to tilt or shift off the tree as you climb.
- ▲ **Always** maintain three (3) points of contact when climbing a ladder treestand. Proper three-point contact means having either two feet with one hand or one foot with two hands on the step portion of the ladder or climbing aid at all times.

⚠ WARNING

- ▲ **Always** lean forward as you climb and attach your harness to the tree before securing the platform to the tree and stepping onto the platform.
- ▲ **Never** exceed the stated maximum use height.
- ▲ **Do Not** use this product until you have watched the online safety video, understand it, and practiced the techniques for safe hunting discussed in this video. Video can be found with the QR code and/or URL shown on front cover of this manual.
- ▲ Read and perform all inspection and maintenance tasks before each and every use. Replace any questionable components immediately with RETI original replacement parts.
- ▲ **Do Not** crush tubing when tightening bolt assemblies! Identify and familiarize yourself with all parts before you start. Bolt identification chart can be found in the back.
- ▲ Double check assembly steps to be certain you have correctly assembled this product.
- ▲ **Never** use any product that has not been maintained or inspected properly - Your life depends on it!
- ▲ Replace any and all treestand straps every two years or when any signs of damage or wear exist before.
- ▲ **Always** wear the appropriate footwear when using a ladder treestand. A good non-slip safety boot is important to your personal safety. Be especially careful that boot laces do not get hooked on the stand or any of its components (tuck shoelaces into boots before climbing).

⚠ WARNING

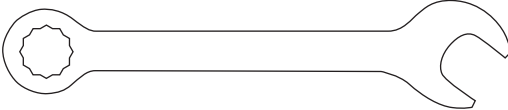

- ▲ **Only** use approved RETI parts. Failure to do so may result in serious injury or death!

INSPECTION AND MAINTENANCE

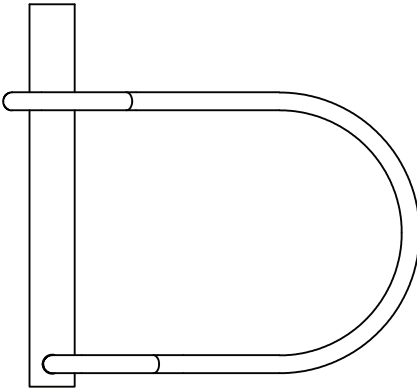
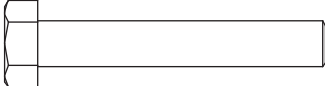
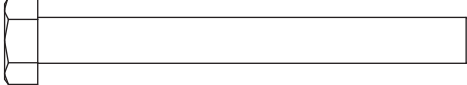

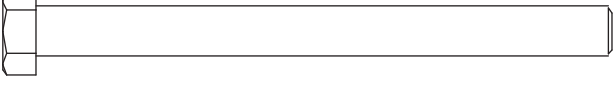
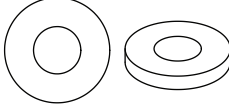
BEFORE EACH USE PERFORM THE FOLLOWING:

- Inspect all webbing, rope, cord, and strap assemblies for wear or damage.
- Inspect cables and/or cable ends for damage or kinking.
- Inspect all hardware and chain components for damage or wear.
- Inspect for any structural damage to product. (If any exists stop use immediately and call RETI Customer Service.)
- Inspect all nut and bolt assemblies to be certain none are loose.
- Inspect for any missing parts.
- Lubricate all pivot and slide together points with powder graphite, petroleum jelly or silicone spray to prevent noise, wear and rust.
- Inspect entire product for any rust, corrosion, cracks, freezing, excessive heat or rotting damage that may effect the safety of your product. Discard any questionable product.
- Inspect entire product for any structural damage - pay close attention to all weld locations. (Discard product if any damage is found.)
- Using correct wrenches inspect all nut & bolt assembly locations and snug up any that may be loose. Be careful not to crush tubing when tightening!
- Inspect and check operation of all cables, cable ends, cord, rope, webbing, and strap or chain assemblies. Replace with RETI original replacement parts any item or assembly that shows signs of wear, damage, kinking, or functions incorrectly.
- Inspect seat for damage or wear. Replace any seat with factory new that shows signs of structural damage or wear.
- Never modify your stand in any way by making repairs, replacing parts, or altering by adding or attaching anything to it except if explicitly authorized in writing by the manufacturer.

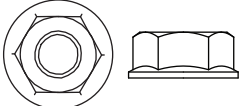
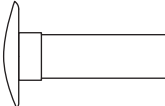
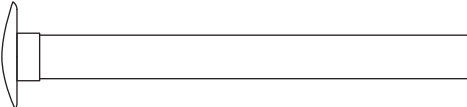
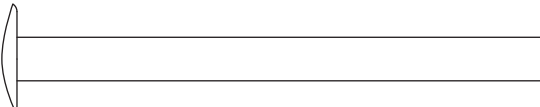
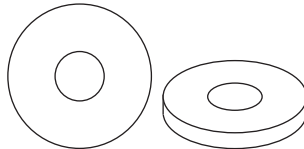
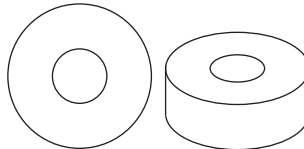
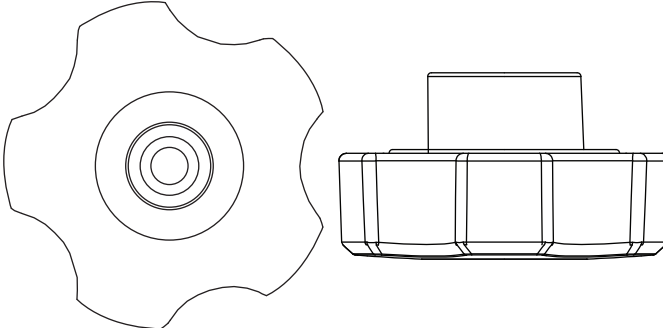
TOOLS REQUIRED

-	-	7/16" WRENCHES		2
-	# 27477	4MM ALLEN WRENCH (INCLUDED)		1

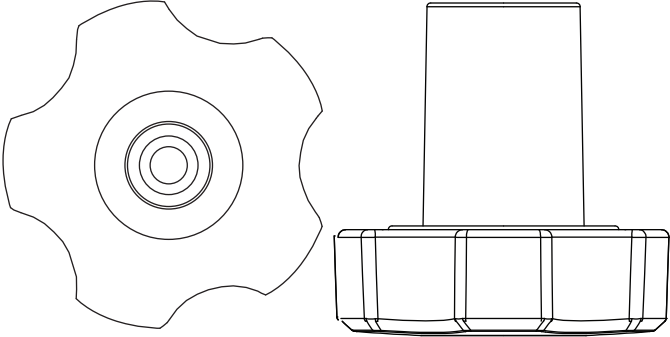
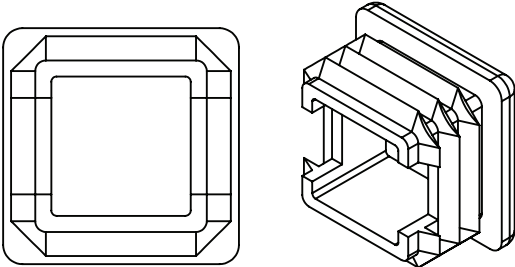
HARDWARE LIST

Item	Part No.	Description	Image	Qty
24	#19847	LOCKPIN		6
25	# 48240B	BOLT 1/4 X 1-1/2 IN		9
26	# 48271B	BOLT 1/4 X 2-1/4 IN		18
27	# 67540B	BOLT 1/4 X 2-3/4 IN		6
28	# 48280B	BOLT 1/4 X 3 IN		2
29	# 48261B	WASHER 1/4 IN		2

HARDWARE LIST (CONTINUED)

Item	Part No.	Description	Image	Qty
30	# 48752B	NUT 1/4 IN		35
31	# 26813	BOLT M6 X 20 MM		2
32	# 29727	BOLT M6 X 60 MM		2
33	# 26959	BOLT M6 X 70 MM		1
34	#23572	WASHER YELLOW PLASTIC 2 MM		14
35	# 26913	SPACER YELLOW PLASTIC 6 MM		6
36	#23604	KNOB M6 X 10 MM		2

HARDWARE LIST (CONTINUED)

Item	Part No.	Description	Image	Qty
37	28839	KNOB M6 X 29MM		2
38	#29712	SQ PLUG END 22 MM		1

ASSEMBLY INSTRUCTIONS

IMPORTANT ASSEMBLY TIP:

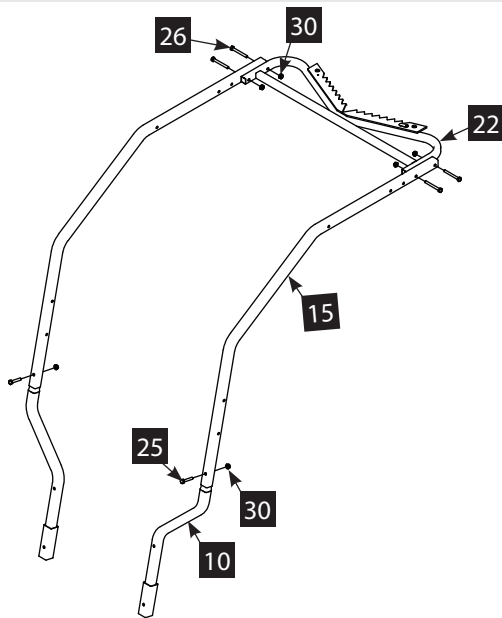
Do not tighten any nut and bolt combinations completely until all parts are assembled together! Finger tighten plus one turn of a wrench only! This will temporarily hold the lock-nut on the bolt while helping alignment of all parts! After all parts are assembled together, all nut and bolt combinations must be completely tightened.

All assembly must be done in this order at ground level before uprighting.

Do not remove labels/warnings from product, they are there for your safety.

Recommended for adult use only.

STEP 1



NOTE: When selecting a tree to install the treestand in, never use a treestand on a dead leaning, diseased or loose barked tree, or a utility pole. Always avoid electrical power lines.

1. Attach seat side rails (15) to tree blade (22) using four 1/4-20 x 2-1/4 IN bolts (26) and nuts (30).

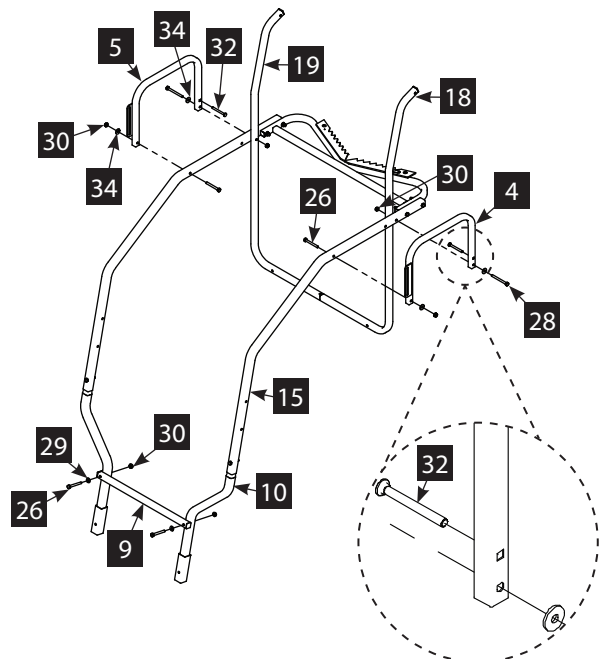
Insert flared platform rails (10) into the seat side rails (15) and secure using two 1/4-20 x 1-1/2 IN bolts (25) and nuts (30).

2. Attach the left and right armrests (4 and 5) to the seat side rails (15) through only the front hole using a 1/4-20 x 2-1/4 IN bolt (26), a yellow washer (34) and nut (30) for each armrest.

Insert the right rear seat support (19) into the left rear seat support (18). Then attach to the inside of the seat side rails (15) while also attaching the back of left and right armrests (4 and 5) to the outside of the seat side rails (15) using two 1/4-20 x 3 IN bolts (28), two yellow washers (34), and nuts (30).

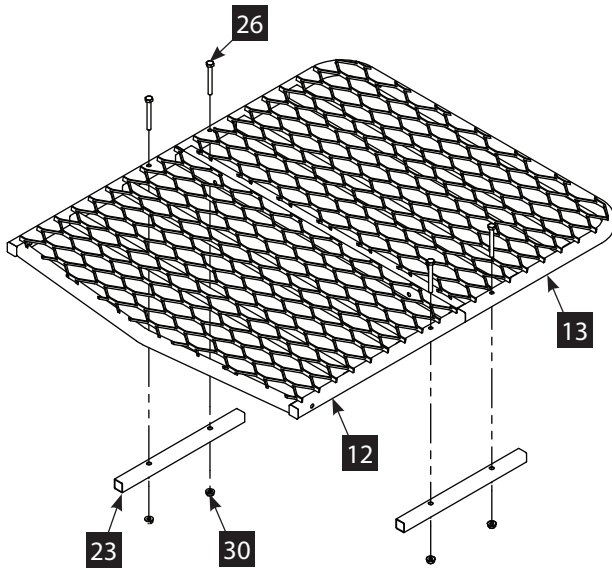
Attach the bolt on step (9) to the flared platform rails (10) using two 1/4-20 x 2-1/4 IN bolts (26), two 1/4 IN steel washers (29) and nuts (30).

Insert the M6 x 60 MM carriage bolts (32) into the square holes in the armrests before moving on to the next step.



STEP 2

STEP 3

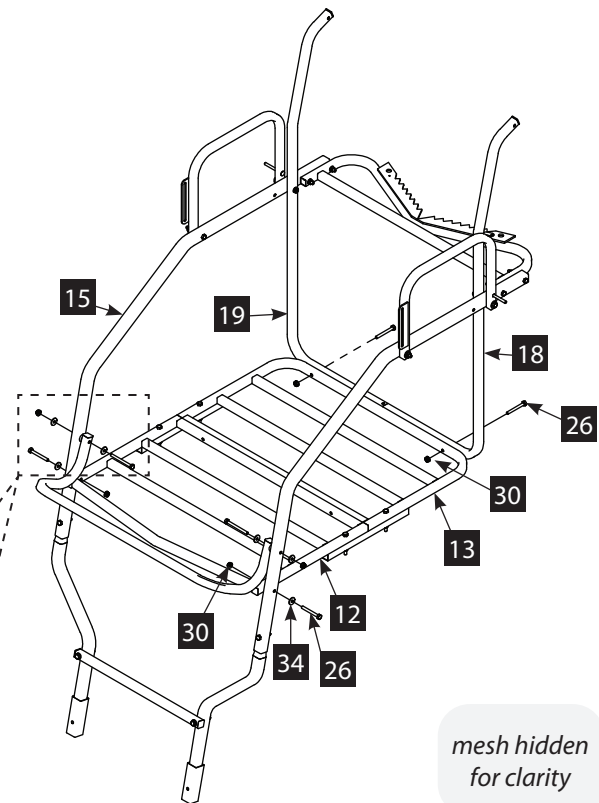
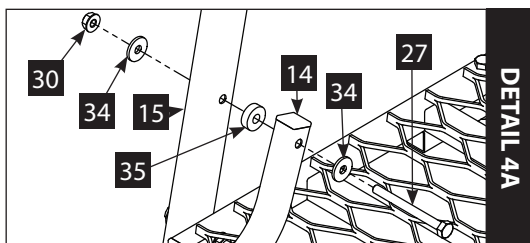


3. Assemble the platform by attaching the platform supports (23) to the bottom of the front and rear platform sections (12 and 13) using four 1/4-20 x 2-1/4 IN bolts (26) and nuts (30).

4. Attach the rear platform (13) to the left and right seat supports (18 and 19) using two 1/4-20 x 2-1/4 IN bolts (26) and nuts (30).

Attach the front platform (12) to the seat side rails (15) using two 1/4-20 x 2-1/4 IN bolts (26), two yellow washers (34) and nuts (30).

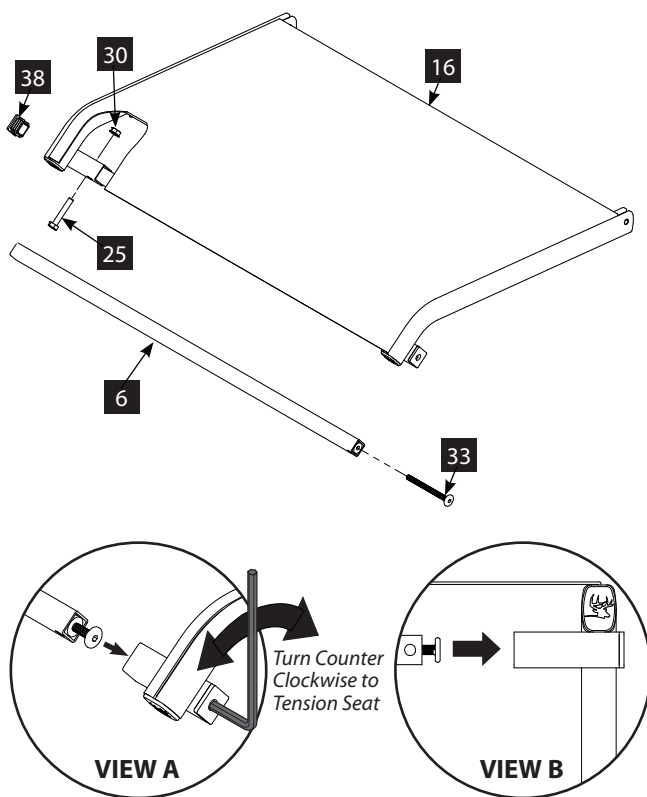
Attach the footrest (14) to the seat side rails (15) using two 1/4-20 x 2-3/4 IN bolts (27), four yellow washers (34), two yellow spacers (35) and nuts (30).



mesh hidden for clarity

STEP 4

STEP 5



- Thread the M6 x 70 MM bolt (33) all the way into the seat tensioner (6).

To assemble the seat (16), slide the seat tensioner (6) through the right seat tube and into the left seat tube so that the head of the M6 x 70mm bolt (33) bottoms out on the inside of the capped seat tube.

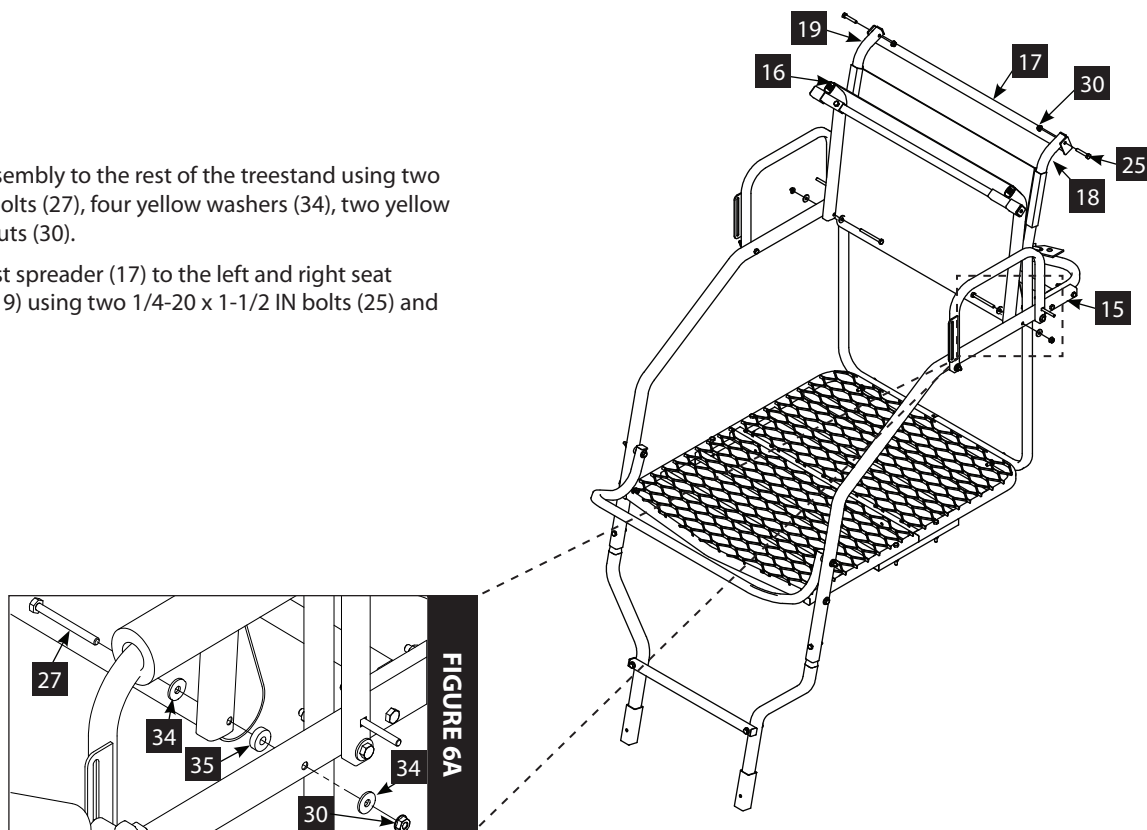
Secure the seat tensioner (6) to the seat (16) using one 1/4-20 x 1-1/2 IN bolt (25) and nut (30).

Insert the 22 MM plug (38) into the end of the right seat tube.

Using the provided allen wrench, tension the seat slightly by inserting the wrench through the hole in the capped seat tube and into the M6 x 70 MM bolt (33). Turn counter-clockwise to tension the seat. Final desired seat tension can be done once the seat is assembled onto the rest of the treestand.

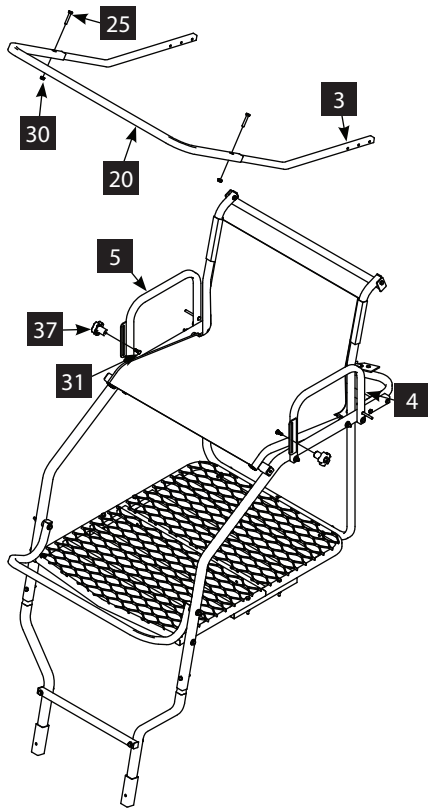
- Attach the seat assembly to the rest of the treestand using two 1/4-20 x 2-3/4 IN bolts (27), four yellow washers (34), two yellow spacers (35) and nuts (30).

Attach the backrest spreader (17) to the left and right seat supports (18 and 19) using two 1/4-20 x 1-1/2 IN bolts (25) and nuts (30).



STEP 6

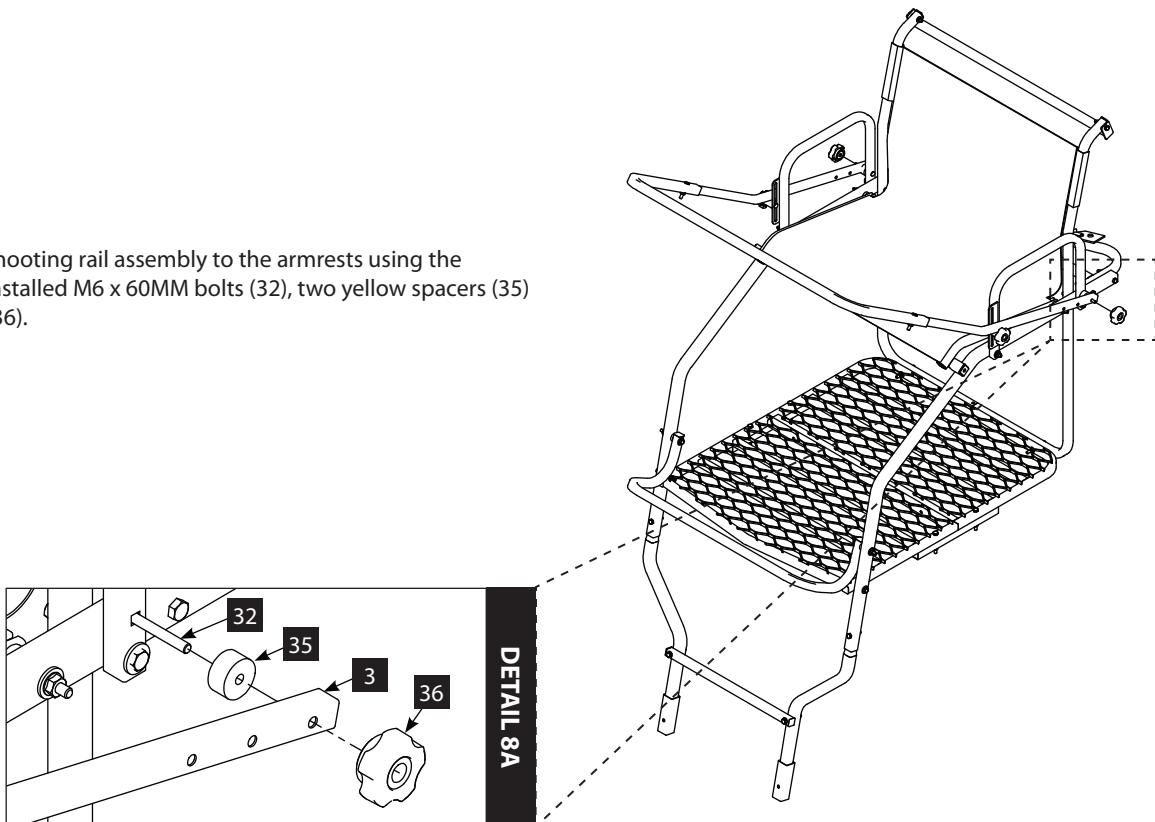
STEP 7



- Assemble the shooting rail (3 and 20) by inserting the two shooting rail parts (3) into the shooting rail part (20). Align the holes and secure together using two 1/4-20 x 1-1/2 IN bolts (25) and nuts (30).

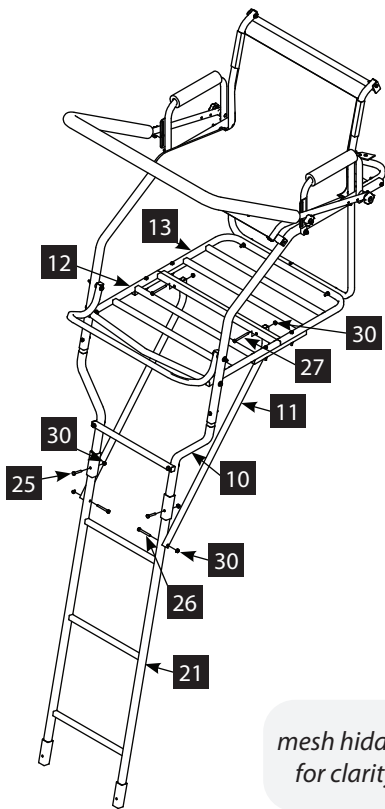
Attach the two shooting rail adjustment knobs (37) to the adjustment plates on left and right armrests (4 and 5) using two M6 x 20 MM bolts (31).

- Attach the shooting rail assembly to the armrests using the previously installed M6 x 60MM bolts (32), two yellow spacers (35) and knobs (36).



STEP 8

STEP 9

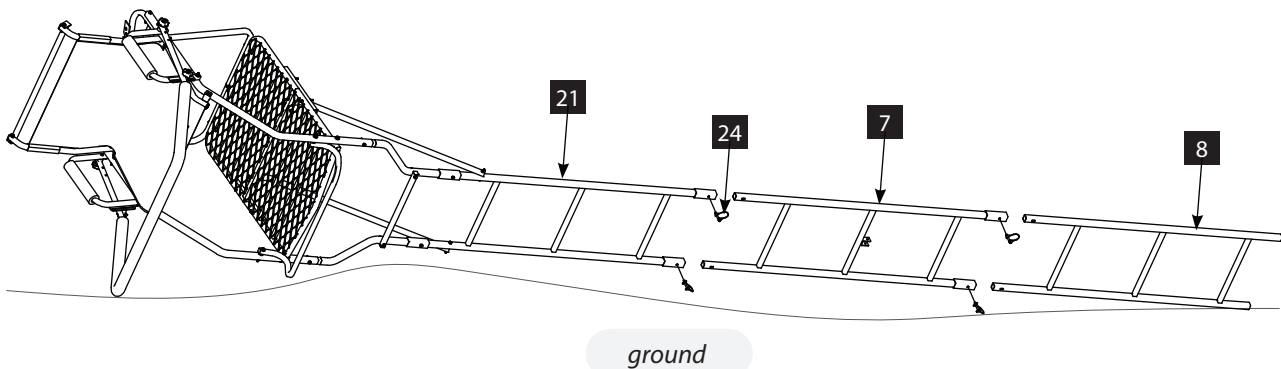


9. Insert the top ladder section (21) into the pockets on the flared platform rails (10) and secure using two 1/4-20 x 1-1/2 IN bolts (25) and nuts (30).

Attach the bent end of the platform braces (11) to the rear platform (13) using two 1/4-20 x 2-3/4 IN bolts (27) and nuts (30). The bolts must go through the front platform section (12), rear platform section (13) and then the platform brace (11).

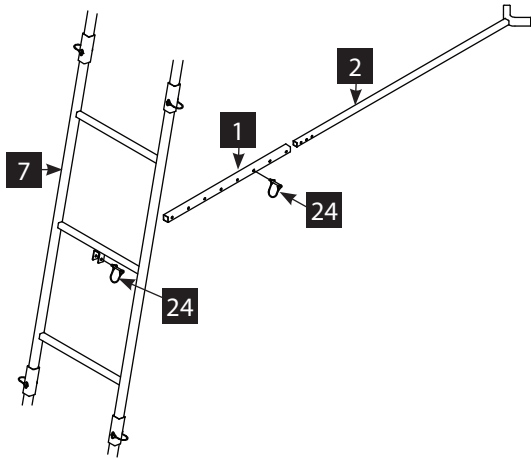
Attach the opposite end of the platform braces (11) to the top ladder section (21) using two 1/4-20 x 2-1/4 IN bolts (26) and nuts (30).

10. Ladder sections are assembled on the ground in the following order: bottom ladder section (8), middle ladder section (7) and the top ladder section (21) with the treestand top assembly. Connect all sections together using four lockpins (24).



STEP 10

STEP 11



11. Attach the stabilizer bar extension (1) to the bracket on the middle ladder section (7) using a lockpin (24).

Slide the stabilizer bar (2) into the extension (1) and secure using a lockpin (24). Make sure lockpin passes through support tube and stabilizer bar at appropriate hole to achieve desired distance from tree. Adjustment in length may be needed when ladder is uprighted later in the Setup and Use Instructions.

12. Attach the two long ends of the 16' criss-cross straps (45) to the tree blade (22). These long stabilizer straps should be attached by pulling the free end of the strap through the loop end of the strap to create a cinch knot around the frame tube.

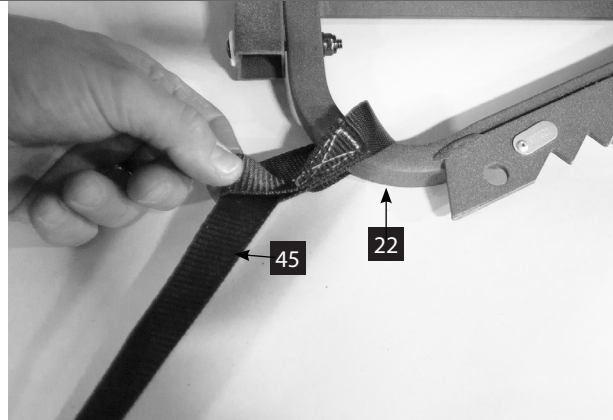


FIGURE 11B

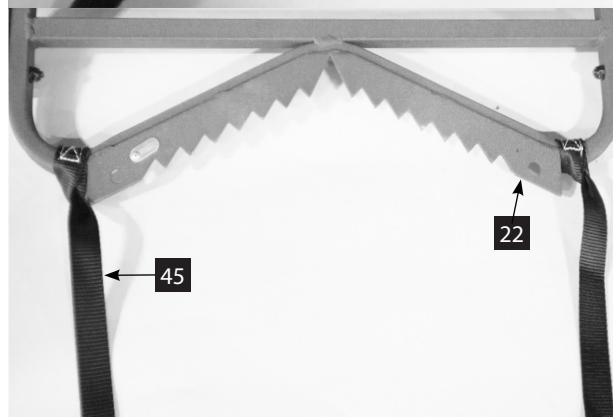


FIGURE 11A

STEP 12

STOP

READ AND UNDERSTAND THE FOLLOWING WARNINGS BEFORE SETUP AND USE

! WARNING

- ▲ Double check assembly steps to be certain you have correctly assembled this product.
- ▲ Study your new stand to become familiar with all of its features and design. At ground level, following provided use instructions, practice attaching stand to tree and removing stand from tree. Practice sitting, standing, and using this product before attaching overhead. Save these instructions for future reference. You must always use the provided Fall Arrest System (FAS) while using this product.
- ▲ **Always** use at least three (3) people to install or take down a ladder treestand. **Always** have two people stabilize the ladder before climbing to the platform the first time after every set-up.
- ▲ Be absolutely sure the tree blade(s) on stand and the stabilizer bar are contacting tree before climbing ladder.
- ▲ Stabilizer bar must always be correctly and securely attached to ladder and tree before climbing ladder.
- ▲ Make sure ladder bottom is firmly seated on dry, level ground. Attach your harness tether to the tree before securing the platform to the tree and stepping onto platform. Refer to the Full Body Harness instructions.
- ▲ **Never** ascend or descend ladder without criss-cross straps/ropes securely holding ladder to tree and stabilizer bar securely attached. Failure to correctly perform these steps can cause the ladder to collapse/buckle-over backwards during the initial ascent to attach ratchet strap resulting in serious injury or death.
- ▲ **Always** lean forward as you climb and attach your harness to the tree before securing the platform to the tree and stepping onto the platform.

! WARNING

- ▲ **Always** maintain three (3) points of contact when climbing a ladder treestand. Proper three-point contact means having either two feet with one hand or one foot with two hands on the step portion of the ladder or climbing aid at all times.
- ▲ **Always** wear the appropriate footwear when using a ladder treestand. A good non-slip safety boot is important to your personal safety. Be especially careful that boot laces do not get hooked on the stand or any of its components (tuck shoelaces into boots before climbing).
- ▲ **Never** stand on seat, it is designed for sitting only.
- ▲ **Do Not** allow excessive strap buildup in ratchet as this will prevent the ratchet teeth from engaging causing slippage.
- ▲ **Always** attach ratchet straps securely while using this product!
- ▲ If seat is removable, be certain it is securely attached when in use.
- ▲ Some models include a shooting rail. **Never** lean against, lean over, or sit on shooting rail. It is designed as a shooting rest only. **Always** be aware that the shooting rail can swing to one side or pivot up and down.
- ▲ Some models include a footrest, which is designed as a footrest only. **Never** stand on footrest! **Always** be fully aware of foot placement.
- ▲ Some models include a multi-piece stabilizer bar system. Be sure attachment hardware goes through both the extension tube and the stabilizer bar.

SET UP AND USE INSTRUCTIONS

⚠ WARNING

- ▲ **Never** use a treestand on a dead, leaning, diseased or loose barked tree, or a utility pole. **Always** avoid electrical power lines.
- ▲ Bring ratchet strap(s) up with you in a pocket - **Do Not** carry in your hands!

During installation and removal of ladder treestands, you must always and properly use the included Full Body Harness (Fall Arrest System). Refer to the Full Body Harness instructions included with this product for proper use.

1. Select a straight, healthy tree. Do Not attempt to install on a tree that is not healthy.
2. With assembled product lying on the ground, **position one person at bottom end of ladder lying on the ground**. This person has to prevent the ladder end from tilting up when platform end is lifted and prevent the ladder from skidding across ground.
3.
 - a. Position two people at the platform end of the ladder, lift the platform end and continue uprighting by walking toward bottom end of ladder and moving hands along ladder legs. **Stand ladder up against chosen straight tree on dry, level ground**. Use caution when ladder comes over center against the tree. **SEE FIGURE 13(A)**.
 - b. Step back and look at the ladder top to see that it is level. Adjust as needed to achieve a level platform top. Make sure tree blade is contacting tree. **SEE FIGURE 13(B)**.
 - c. Step down hard on bottom step to push ladder legs into the ground. **SEE FIGURE 13(C)**.
4. While two people hold the stand in place, the third person should connect the horizontal stabilizer bar to the tree. Adjust the length of the stabilizer bar as need so it contacts the tree and is level to the ground. Then secure it to the tree with the 6' cam strap (44) by forming a cinch knot with both ends of the strap and running the long end of the strap through the cam buckle. **SEE FIGURES 14 AND 15.**

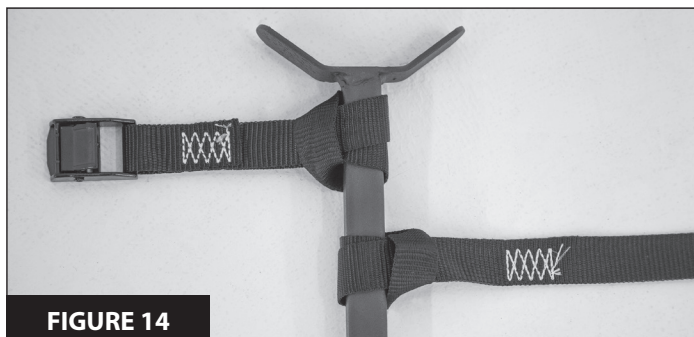


FIGURE 14

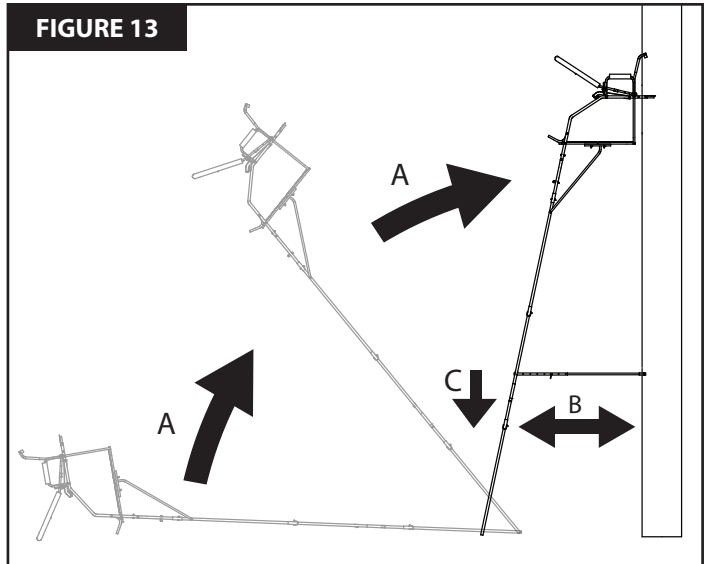


FIGURE 13



FIGURE 15

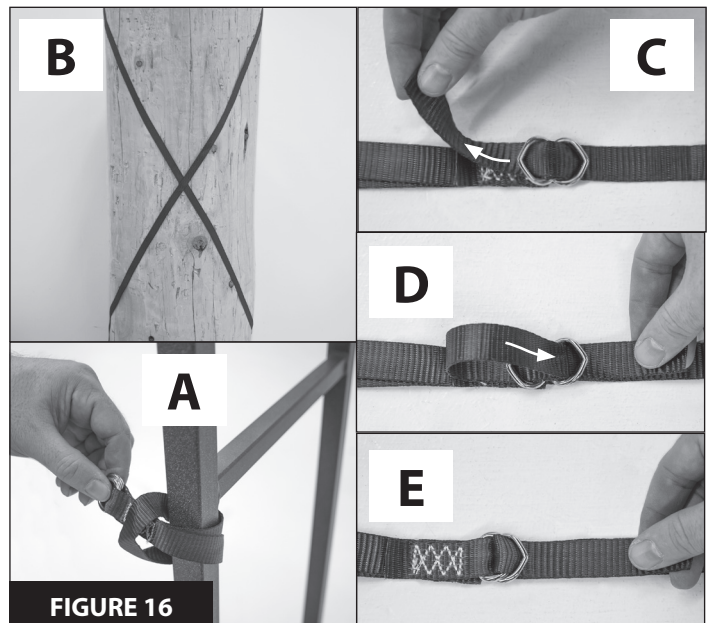


FIGURE 16

5. a. Loop the D-loop end of the two 16' criss cross straps (45) through the loop end to form a cinch knot around the ladder rail tube. Secure beneath a step rung, at the stabilizer bar height location. **SEE FIGURE 16A.**
 b. With the stand level and being held in place by two people, the third person must cross one of the 16' criss cross straps (45) behind the tree and feed the free end through the opposite D-loop. **SEE FIGURES 16B-E.**
 c. Criss cross the other 16' stabilizer strap (45), forming an "X" pattern on the of the tree and feed the free end through the opposite D-loop. **SEE FIGURES 16B-E.**
6. Make sure the criss cross straps and stabilizer bar strap are snug and the tree blade is still contacting the tree.

NOTE: This ground level ladder-to-tree attachment will prevent the ladder from pulling away from the tree while ascending to the top for final 6' ratchet strap (44) attachment. The same holds true when the ladder is removed.

7. **With two people securely holding the ladder,** use the three point contact climbing method to slowly climb the ladder and carefully keep a constant hand grip on the ladder at all times. Always lean forward, toward tree, to keep top section tree blades against the tree. **Be certain ladder bottom is firmly seated on dry, level ground. Attach your harness tether to the tree before securing the platform to the tree and stepping onto platform. Refer to the Full Body Harness instructions included with this product.**

NOTE: Bring ratchet strap up with you in a pocket. DO NOT carry in your hand!

8. a. Standing on ladder step, lean toward tree with ratchet strap now in hand, hook "S" hook with long strap through hole provided on tree blade. Feed the long strap through the center (slot) of ratcheting mechanism and back around through tightening lever. **SEE FIGURES 17A, 17B AND 18.**

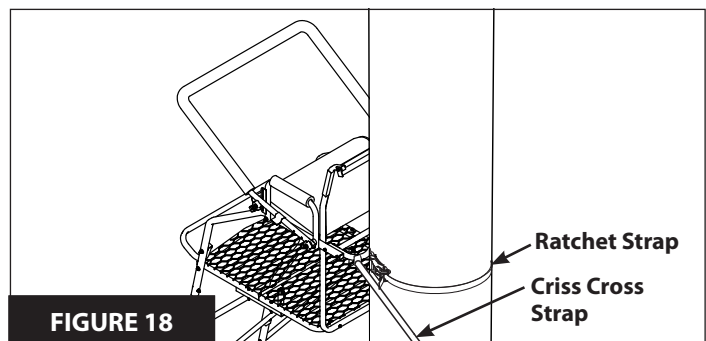
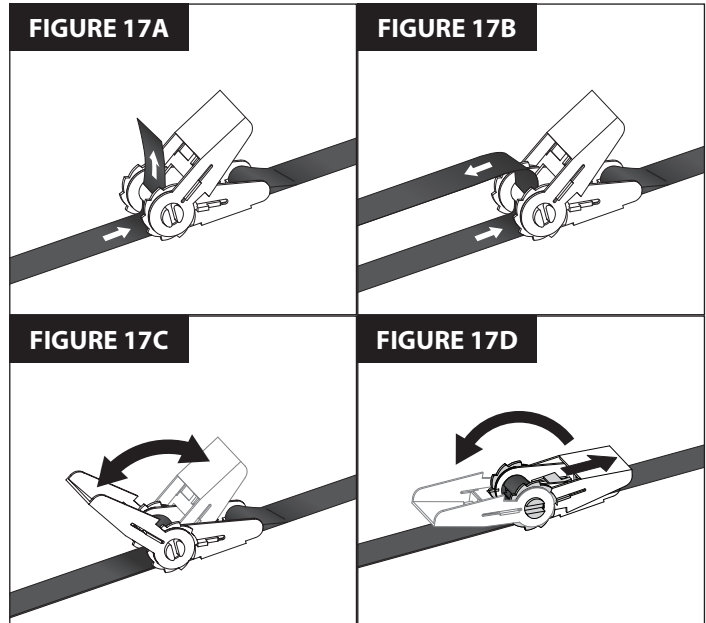
NOTE: Be sure you feed the long strap correctly so there are no twists in the strap.

b. Wrap entire ratchet assembly around tree and hook other "S" hook through opposite upper tree blade hole. Pull tail of long strap until most of the slack is taken out. Be sure entire strap is even and at the same level all around tree. "Ratchet" tight to tree, this will securely attach ladder to tree and prevent movement. **SEE FIGURES 17B AND 17C.**

NOTE: Make sure there is at least two full revolutions of strap on the ratchet spool before the strap tightens. Proper tension will ensure the stand is secured to the tree. Do not allow excessive strap to build up in the ratchet as this will prevent the ratchet teeth from engaging and can cause slippage.

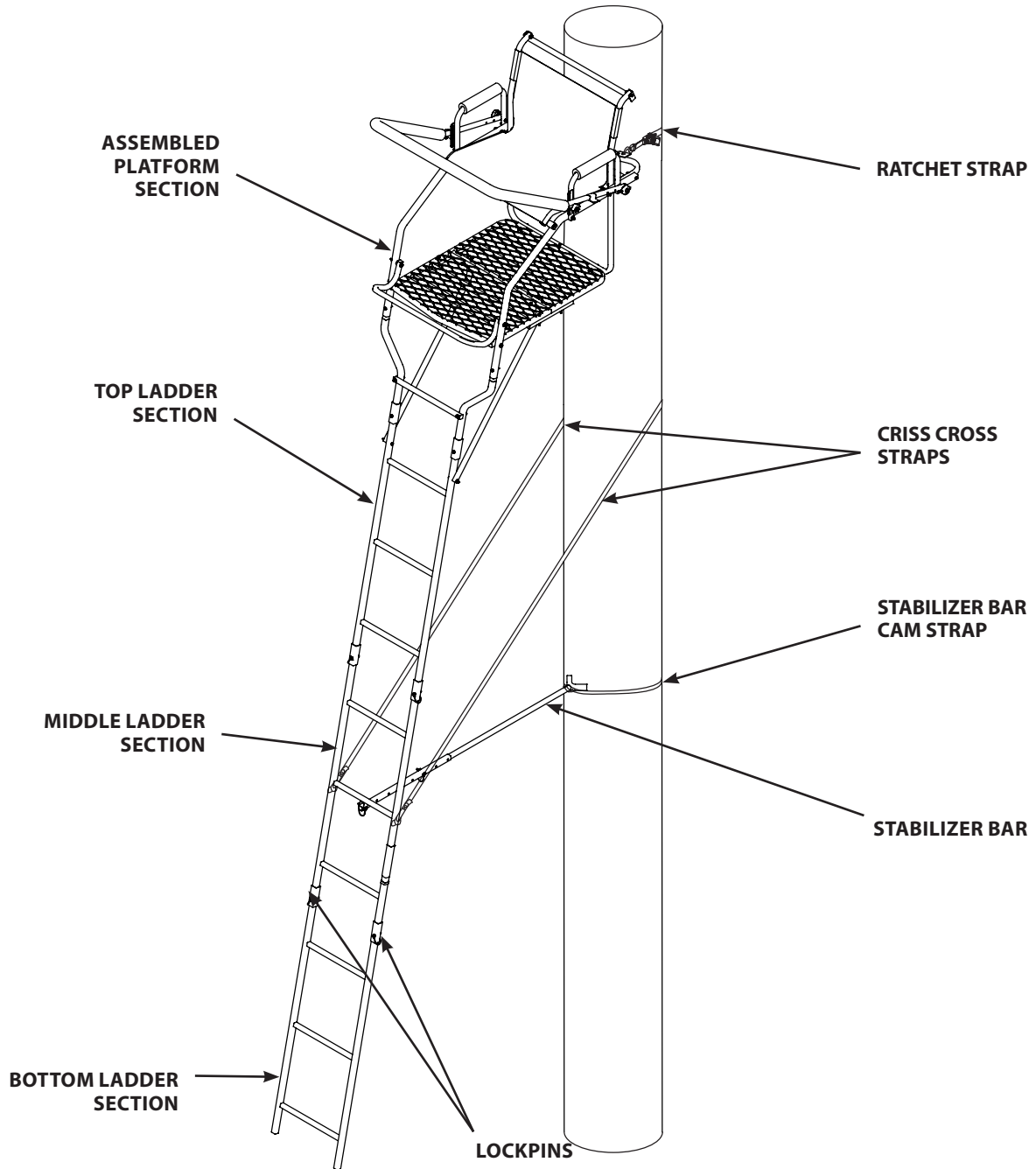
To release ratchet, simply pull the release lever and open tightening lever wide open (flat). SEE FIGURE 17D.

9. If necessary, re-check and adjust the 6' ratchet strap (44), 16' criss cross straps (45) and horizontal stabilizer bar assembly to securely attach the treestand to the tree. The tree blade must be touching the tree. **SEE FIGURE 18.**
10. You are now ready to use your ladder stand.

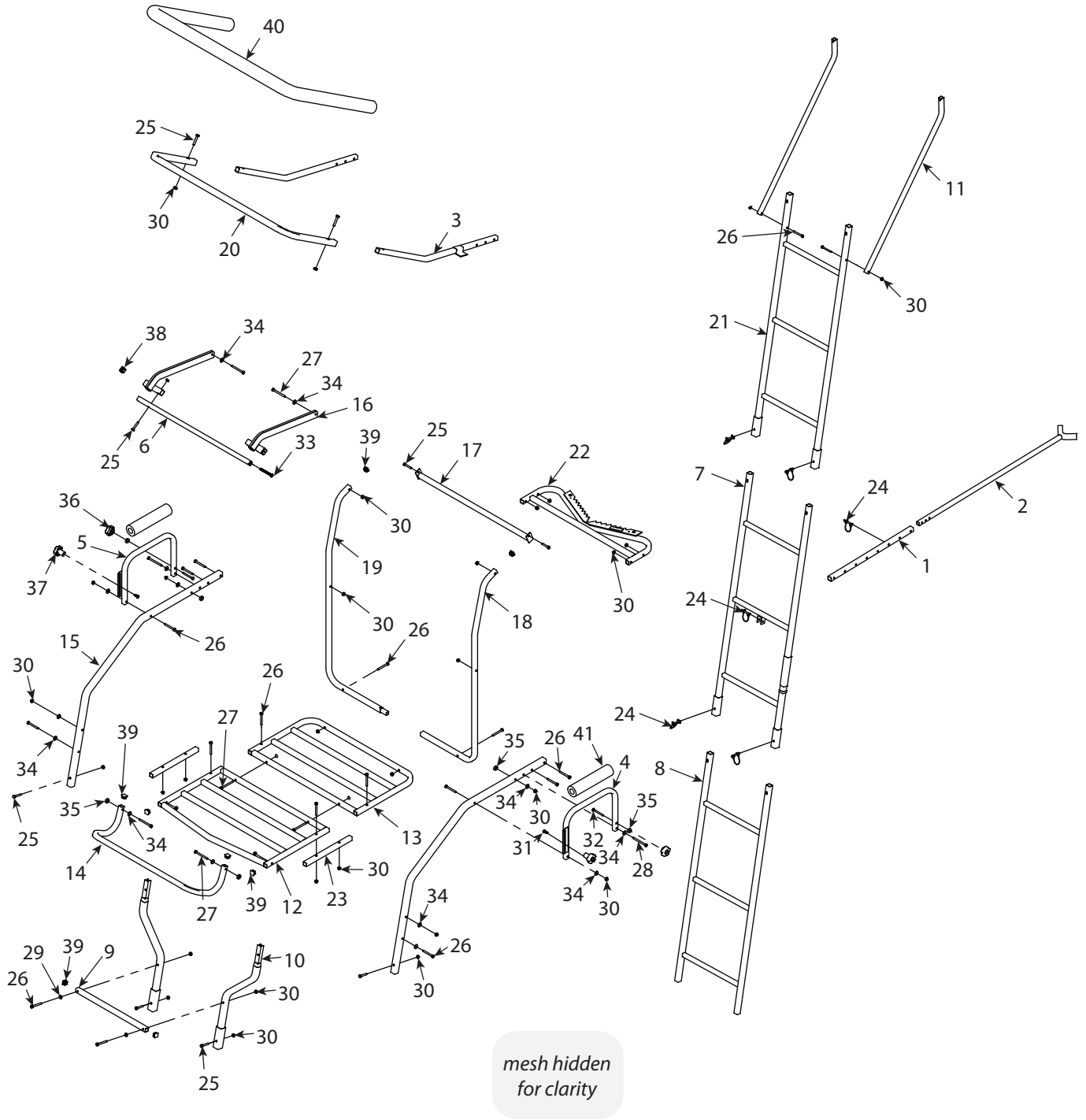


! IMPORTANT
 ▲ Reverse the Set-Up and Use Instructions to take the ladder stand down.

FINISHED LADDER



ILLUSTRATED PARTS BREAKDOWN



PARTS LIST

ITEM #	PART #	DESCRIPTION	QTY.
1	1ML23	STABILIZER BAR EXTENSION	1
2	27397	STABILIZER BAR 39 IN	1
3	28678	SHOOTING RAIL "A"	2
4	28680	ARMREST LEFT	1
5	28681	ARMREST RIGHT	1
6	29365	FRONT SEAT TENSIONER	1
7	31739	MIDDLE LADDER SECTION	1
8	31740	BOTTOM LADDER SECTION	1
9	33436	BOLT ON STEP	1
10	35922	FLARED PLATFORM RAIL	2
11	35923	PLATFORM BRACE	2
12	35926	FRONT PLATFORM	1
13	35929	REAR PLATFORM	1
14	35930	FOOTREST	1
15	35931	SEAT SIDE RAIL	2
16	35932	TEARTUFF SEAT ASSY	1
17	35935	BACKREST SPREADER	1
18	35945	REAR SEAT SUPPORT LEFT	1
19	35946	REAR SEAT SUPPORT RIGHT	1
20	35949	SHOOTING RAIL "B"	1
21	35952	TOP LADDER SECTION	1
22	36181	TREE BLADE	1
23	36182	PLATFORM SUPPORT	2
24	35948	LOCKPIN	6
25	48240B	BOLT 1/4-20 X 1-1/2 IN	9
26	48271B	BOLT 1/4-20 X 2-1/4 IN	18
27	67540B	BOLT 1/4-20 X 2-3/4 IN	6
28	48280B	BOLT 1/4-20 X 3 IN	2
29	48261B	WASHER 1/4 IN	2
30	48752B	1/4-20 NUT	35

ITEM #	PART #	DESCRIPTION	QTY.
31	26813	BOLT M6 X 20 MM	2
32	29727	BOLT M6 X 60 MM	2
33	26959	BOLT M6 X 70 MM	1
34	23572	WASHER YELLOW PLASTIC 2 MM	14
35	26913	SPACER YELLOW PLASTIC 6 MM	6
36	23604	KNOB M6 X 10 MM	2
37	28839	KNOB M6 X 29 MM	2
38	29712	SQ PLUG END 22 MM	1
39	29713	SQ PLUG END 19 MM	8
40	35948	FOAM SLEEVE 71 IN	1
41	48736	FOAM SLEEVE 9 IN	2
ITEMS BELOW NOT SHOWN			
42	40697	FALL ARREST SYSTEM (FAS)	1
43	48415	STRAP W/RATCHET AND S-HOOKS	1
44	MK021-1401	6' CAM BUCKLE STRAP	1
45	MK034-4511	16' CRISS CROSS STRAP	2

**NO EXTENSIONS AVAILABLE FOR THIS MODEL.
 NEVER MODIFY OR EXCEED ORIGINAL STATED USE HEIGHT!**



WE ARE HUNTERS

Rivers Edge® Treestands, Inc.

1730 Industrial Avenue, PO Box 755
Cumberland, WI 54829

Phone: 800-345-6007

Fax: 715-822-2124

www.HuntRiversEdge.com

*All weights, specifications and features are approximate and are subject to change without notice. Due to continuous product improvements, product images may not be exact. Warning labels in some product images may have been removed for photography purposes only. Props shown in photos not included. Some assembly may be required.
