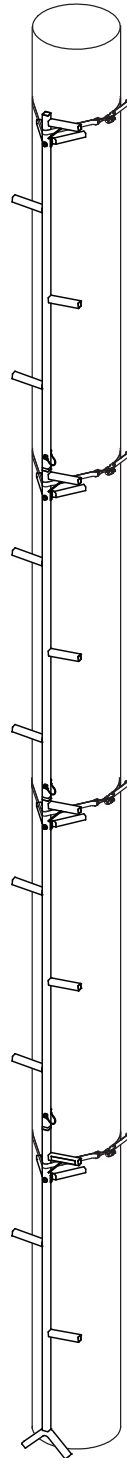


BigFoot™ CLIMBING SYSTEMS

WE ARE HUNTERS



Operator's Manual

**20 FOOT
Connected Stick**

MODEL RE730

Maximum Height

20'

Maximum Field Rating

300 lbs

Tree Diameter Range

8" to 20"

Wear Your Harness!



PRODUCT MEETS
INDUSTRY STANDARDS
RECOGNIZED BY



PARTICIPATING MEMBER

Get parts online at
www.HuntRiversEdge.com

© 2018 RETI
All Rights Reserved

P/N: 28972
REV1: 02/16/18

INTRODUCTION

Rivers Edge® Treestands are engineered with you the hunter in mind. We appreciate your purchase of one of our world class treestands. Follow these few simple instructions and your stand will provide you many years of trouble-free pleasure. Instructions should be kept in a safe place and reviewed at least annually.

If for any reason you have a problem with your product, **DO NOT return to the retailer**, contact the Rivers Edge® customer service department at 800-450-EDGE (3343) for assistance.

CONTENTS

Introduction and Warranty	2
Warnings.....	3-4
Inspection and Maintenance	4
Assembly Instructions	5
Set-Up and Use Instructions.....	6
Parts Explosion/Parts List	7

WARRANTY

RETI offers a **one year warranty** for all components of the treestand. These warranties apply to the original owner with a proof of purchase. These warranties begin on the date of purchase by the first retail consumer and continue for the period specified above. These warranties apply to products that are not modified, abused or used in a manner that deviates from the product's intended usage. Minor fading in color is normal and is not covered by warranty. Any corrosion of painted surfaces that occurs as a result of paint being removed or damaged is also not covered by warranty. RETI offers no other warranty expressed or implied. Products for which warranty work has been approved must be sent directly to RETI and performed by RETI. **To obtain warranty service and/or replacement instructions, you must obtain prior approval from RETI before shipping your package to us by calling our customer service department at 800-450-3343 or by writing to: RETI, P.O. Box 755, 1160 Eighth Avenue, Cumberland, WI 54829 for a return material authorization number (RMA#).** All items must be shipped prepaid. RETI will, at no charge, repair or replace, in RETI's sole discretion, any product that satisfies the conditions stated above. RETI retains the right to change models, specifications and price without notice.

This equipment has been manufactured under strict quality and safety guidelines. As with any equipment of this type, full understanding of the instructions and its use is mandatory and imperative for the safety of its user. RETI is not responsible for any damages or injuries sustained due to improper use or modification of any of its products, or resulting from any use which deviates from the product's intended usage. RETI is not responsible for any injuries sustained due to failure to read and adhere to the instructions for use. Any misunderstanding or questions regarding the products of their use should be directed to RETI prior to any use. It is the owner's sole responsibility to inspect the product regularly for damage, improper installation, or conditions that could jeopardize the ultimate safety of the product. Failure to use or improper use of a Fall Arrest System may result in serious injury or death. **ALWAYS wear a Fall Arrest System while using this product. Owner is responsible to understand and follow product field weight rating and must never exceed maximum weight rating.** RETI is not responsible for any malfunction or injury resulting from normal wear and tear, damage caused by improper use, improper maintenance, negligence or accidents. This product, if used safely as intended, will provide trouble free service for the useful life of the product. We hope you will enjoy the quality of our products for years to come, and have a safe hunt.

STOP

READ AND UNDERSTAND THE FOLLOWING WARNINGS BEFORE ASSEMBLY

MODEL RE730

TOTAL WEIGHT LIMIT - 300 LB
TREE DIAMETER RANGE - 8" TO 20"
MAXIMUM USE HEIGHT - 20'

WARNING

- ▲ This product carries strict height and weight restrictions. **Do Not** use this product if you exceed the total weight limit. Please note that the total weight limit includes the user(s) and their equipment.

WARNING

- ▲ **When hunting from a treestand falls can occur any time after leaving the ground causing injury or death.**
- ▲ **Always** wear a Fall Arrest System (FAS) comprising a full body harness at all times after leaving the ground. You must stay connected at all times after leaving the ground while using climbing and hang-on treestands. Single safety belts and chest harnesses are no longer allowed and shall never be used. If you are not wearing a full body harness properly attached to the tree that is protecting you from a fall, do not leave the ground.
- ▲ **Read and understand** all of the manufacturer's Warnings and Instructions and use all safety devices provided by the manufacturer. Contact the manufacturer for any questions. Failure to do so could result in injury or death.
- ▲ **Never** exceed the total weight limit of the treestand or climbing aid.
- ▲ **Never** use a treestand or climbing aid during inclement weather such as rain, lightning, windstorms or icy conditions and end your hunt and return to the ground if inclement conditions arise.
- ▲ **Never** use a treestand or climbing aid while using drugs (even prescription drugs) or alcohol.
- ▲ **Never** use a treestand or climbing aid while feeling ill, nauseous or dizzy, or if you have a prior medical condition that could cause a problem, that is, heart condition, joints that lock-up, spinal fusions, etc., or if you are not well rested.
- ▲ **Never** use a treestand or climbing aid on a dead, leaning, diseased or loose barked tree, or a utility pole.
- ▲ **Never** rely on a tree branch for support.
- ▲ **Never** jump or bounce on a treestand or climbing aid to seat it to the tree.

WARNING

- ▲ Pull up a bow, backpack, or firearm or other equipment only after being secure in the treestand and a firearm must be pulled up with it unloaded, chamber open, and muzzle down.
- ▲ **Always** inform someone of the hunting location, where the treestand will be located and the expected duration of the hunt.
- ▲ A signal device such as a mobile phone, radio, whistle, signal flare or personal locator device (PLD) must be on your person and readily available at all times.
- ▲ Inspect the treestand/climbing aid and all safety devices each time before use and **Do Not** store a treestand or climbing aid outdoors when not in use.
- ▲ **Never** modify your treestand or climbing aid in any way by making repairs, replacing parts, or altering it except if explicitly authorized in writing by the manufacturer.
- ▲ Practice installing, adjusting and using your treestand or climbing aid at ground level prior to using it at elevated positions. Study your new stand to become familiar with all of its features and design. Doing so will confirm that the product is manufactured, assembled and installed correctly. Failure to install and test at ground level first puts users at risk for serious injury or death.
- ▲ Instructions (written and video) shall be kept in a safe place and reviewed at least annually. It is the responsibility of the treestand or climbing aid owner to furnish the complete instructions to any person who borrows or purchases the treestand or climbing aid.
- ▲ A full body harness with a lineman's/climbing belt must be worn at all times while installing or removing any hang-on climbing aids.
- ▲ Hang-on climbing aids must be placed on the tree at a height above the platform where the user can maintain a handhold on the unit and step downwards onto the treestand. **Never** step up from a climbing device to get into your stand. To ensure that you step down onto the platform, the maximum recommended use height is five feet less than the height of the climbing aid being used.
- ▲ When using a climbing/lineman's belt to ascend the tree, the full body harness shall be attached to the tree before stepping down onto the treestand.
- ▲ Sectional ladders and steps shall be spaced on the tree to insure each step is no more than 18 in. (45.72 cm) apart.
- ▲ Check every stick ladder section connection every time you use the stick ladder before you leave the ground. If stick ladder sections are separating, **Do Not** use the stick ladder.

⚠ WARNING

- ⚠ Read and perform all inspection and maintenance tasks before each and every use. Replace any questionable components immediately with RETI original replacement parts.
- ⚠ **Always** maintain three (3) points of contact when Ascending or descending a ladder or climbing aid. Proper three-point contact means having either two feet with one hand or one foot with two hands on the step portion of the ladder or climbing aid at all times.
- ⚠ **Always** wear the appropriate footwear when using a treestand or climbing aid. A good non-slip safety boot is important to your personal safety. Be especially careful that boot laces do not get hooked on the stand, climbing aid or any of their components (tuck shoelaces into boots before climbing).
- ⚠ **Always** lean forward as you ascend or descend ladder or climbing aid. **Never** Lean out over edge of device.
- ⚠ Double check assembly steps to be certain you have correctly assembled this product.
- ⚠ Replace any and all treestand or climbing aid straps every two years or when any signs of damage or wear exist before.
- ⚠ **Never** hold onto any section or pull on any section that is not securely attached to the tree with the provided strap and buckle.
- ⚠ **Always** attach the cam strap assembly so the spring loaded cam lever of the strap is facing away from the tree. **Never** touch the cam lever while putting weight on the stick and/or climbing the stick as this could potentially release the strap and remove that section from the tree.
- ⚠ **Do Not** crush tubing when tightening bolt assemblies! Identify and familiarize yourself with all parts before you start.
- ⚠ **Never** use any product that has not been maintained or inspected properly - Your life depends on it!
- ⚠ Use a haul line to raise and lower the treestand. **Never** climb with anything on your back.

INSPECTION AND MAINTENANCE

BEFORE EACH USE PERFORM THE FOLLOWING:

- Inspect all webbing, rope, cord, and strap assemblies for wear or damage.
- Inspect cables and/or cable ends for damage or kinking.
- Inspect all hardware and chain components for damage or wear.
- Inspect for any structural damage to product. (If any exists stop use immediately and call RETI Customer Service.)
- Inspect all nut and bolt assemblies to be certain none are loose.
- Inspect for any missing parts.
- Lubricate all pivot and slide together points with powder graphite, petroleum jelly or silicone spray to prevent noise, wear and rust.
- Inspect entire product for any rust, corrosion, cracks, freezing, excessive heat or rotting damage that may effect the safety of your product. Discard any questionable product.
- Inspect entire product for any structural damage - pay close attention to all weld locations. (Discard product if any damage is found.)
- Using correct wrenches inspect all nut & bolt assembly locations and snug up any that may be loose. Be careful not to crush tubing when tightening!
- Inspect and check operation of all cables, cable ends, cord, rope, webbing, and strap or chain assemblies. Replace with RETI original replacement parts any item or assembly that shows signs of wear, damage, kinking, or functions incorrectly.

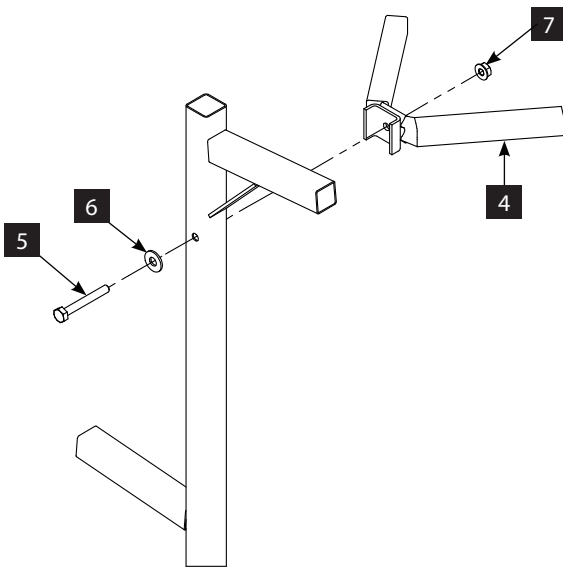
ASSEMBLY INSTRUCTIONS

TOOLS NEEDED: two 7/16 inch wrenches

WARNING

- ▲ **Never** exceed the stated maximum use height. Some models allow for extensions. If you are unsure if your model has an available extension, please call RETI customer service.
- ▲ Bottom of assembled climbing aid **Must Always** touch ground during use. **Never** position climbing aid so the bottom is not touching the ground.

FIGURE 1



NOTE: When selecting a tree to install the treestand in, never use a treestand on a dead, leaning, diseased or loose barked tree, or a utility pole. Always avoid electrical power lines.

1. Attach one tree hugger (4) to each stick section using one 1/4-20 x 2 IN bolt (5), 1/4 IN washer (6) and 1/4-20 nut (7) to each section. **Tighten all nut and bolt assemblies. Be sure not to over-tighten or crush tubing when tightening! SEE FIGURE 1.**

2. Sections are assembled on the ground in the following order; bottom section (3); two middle sections (2); top section (1). Assembly is done by inserting the male (crimped) top end of each section into the female end of next section. **SEE FINISHED CONNECT-N-CLIMB ON NEXT PAGE.**
3. Secure all of the connection points together with three provided lockpins (8). **SEE FIGURE 2.**

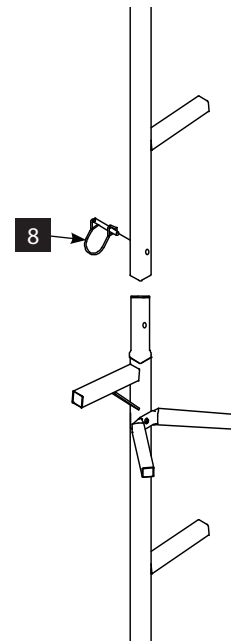


FIGURE 2

SETUP AND USE INSTRUCTIONS

1. Stand the assembled climbing stick up against a selected straight tree on dry, level ground. Feed the strap assembly through the "pocket" of bottom stick section. **SEE FIGURE 3**

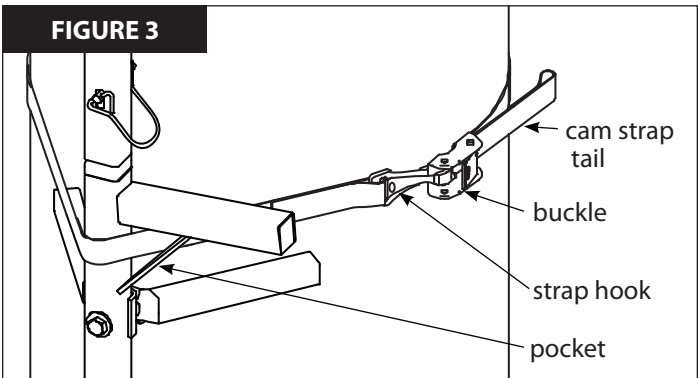
NOTE: Foot weldment of bottom section must contact the ground at all times.

2. Wrap entire cam strap assembly (9) around tree. Connect snap hook to the buckle. Pull tail of cam strap tight so that the section is snugly secured to the tree. **SEE FIGURES 3 AND 4.** Be certain two contact points of tree hugger (4) are contacting tree.

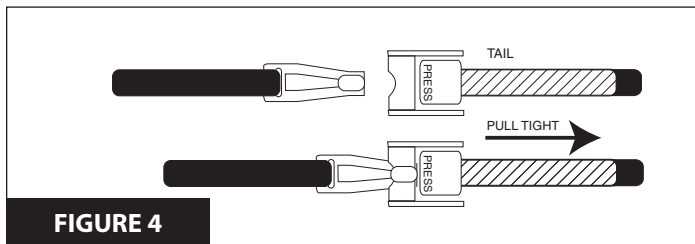
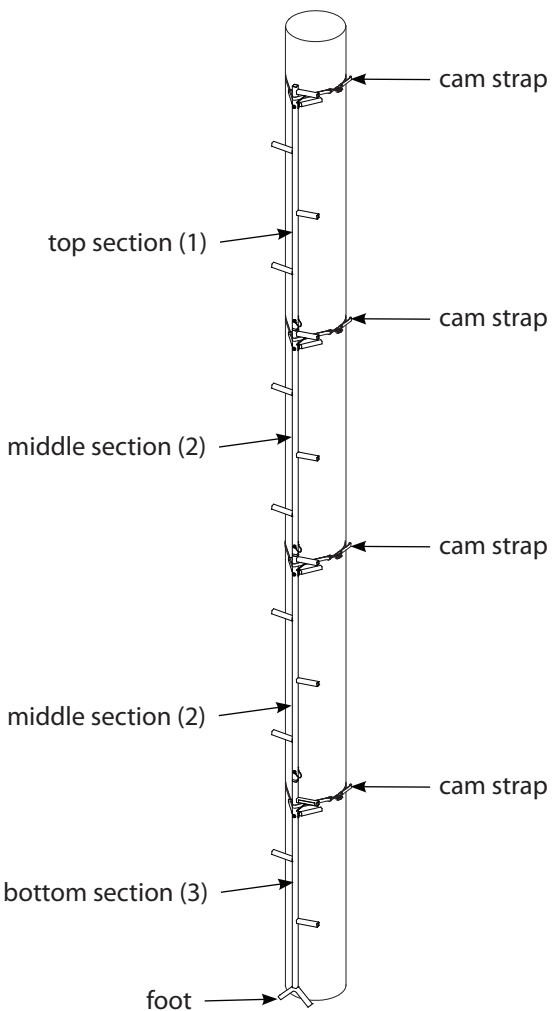
NOTE: Make sure you feed the long strap correctly so there are no twists in the strap.

NOTE: Be sure you have attached the cam strap in such a way that the lever of cam buckle will not face the tree when attached to the tree during use.

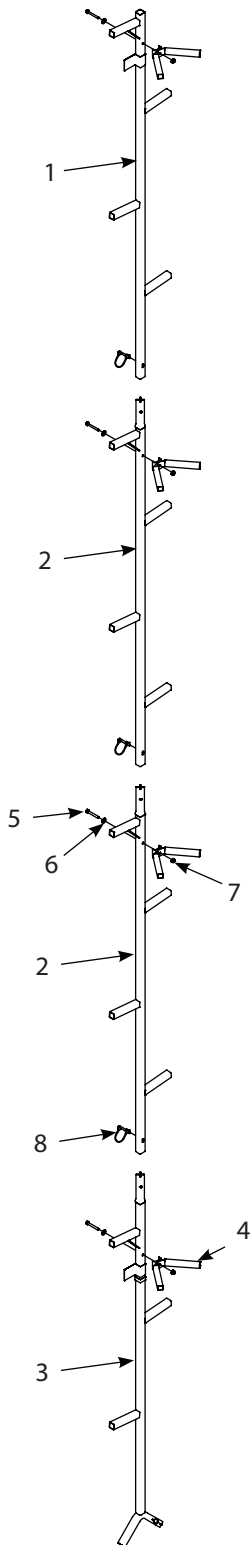
3. While properly wearing/using a Full Body Harness with a lineman's/climbing belt, climb the climbing stick only far enough to reach and attach the second section and properly secure it to the tree following the same instructions written in STEPS 1 and 2. Repeat strap attachment for each section until all sections are securely attached. You must work from the bottom strap up to the top strap, **DO NOT** skip any straps! Make sure you always and properly wear/use a Full Body Harness with a lineman's/climbing belt while attaching and detaching this product!
4. Reverse setup and use instructions to remove the climbing stick from the tree.



FINISHED CLIMBING STICK



ILLUSTRATED PARTS BREAKDOWN



PARTS LIST

KEY #	PART #	DESCRIPTION	QTY.
1	29054	TOP STICK SECTION	1
2	29053	MIDDLE STICK SECTION	2
3	29052	BOTTOM STICK SECTION	1
4	17558	TREE HUGGER	4
5	48153B	BOLT 1/4-20 X 2 IN	4
6	48261B	WASHER 1/4 IN	4
7	48752B	NUT 1/4-20	4
8	19847	LOCKPIN M6 X 50.8 MM	3
ITEMS BELOW NOT SHOWN			
9	48748	STRAP WITH CAM & SNAP HOOK	4

**NO EXTENSIONS AVAILABLE FOR THIS MODEL,
TESTED FOR 20' MAXIMUM HEIGHT!**

BigFoot[™]

CLIMBING SYSTEMS

WE ARE HUNTERS

Rivers Edge® Treestands, Inc.

1160 Eighth Avenue, PO Box 755
Cumberland, WI 54829

Phone: 800-450-EDGE (3343)

Fax: 715-822-2124

Email: info@huntriversedge.com

*All weights, specifications and features are approximate and are subject to change without notice. Due to continuous product improvements, product images may not be exact. Warning labels in some product images may have been removed for photography purposes only. Props shown in photos not included. Some assembly may be required.