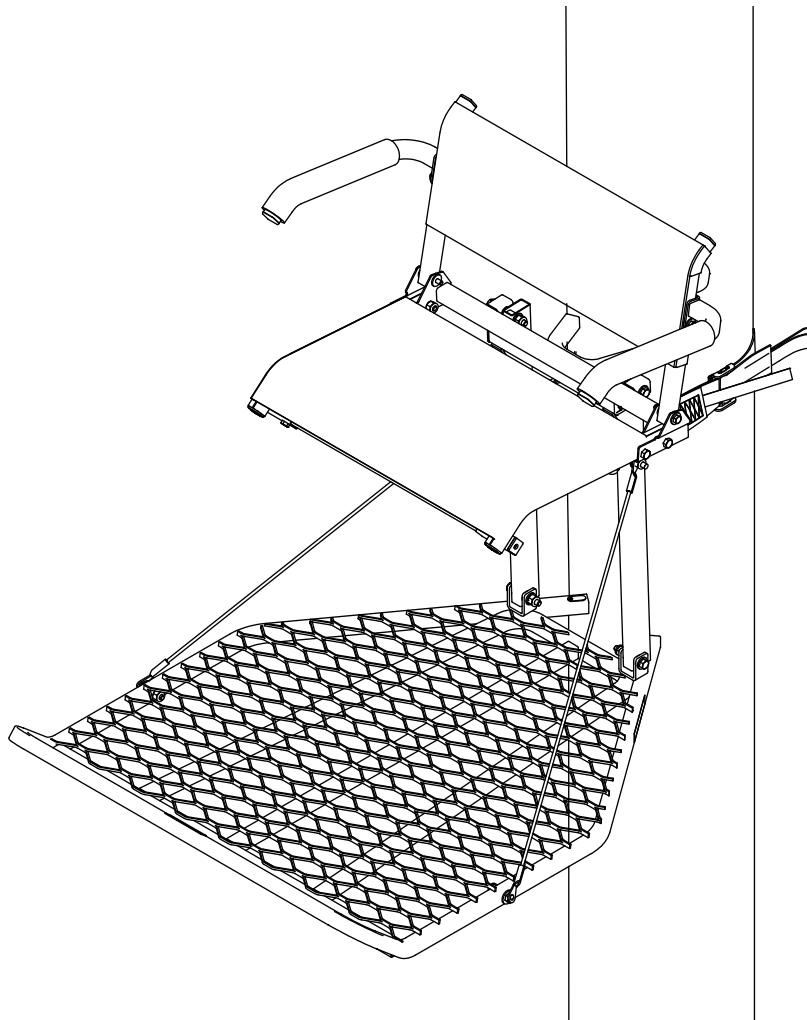


# BigFoot™

## LEVER-ACTION HANG-ONS

### WE ARE HUNTERS



Operator's Manual

## BRUTE Hang-On Stand

MODEL RE560

### Maximum Field Rating

300 lbs

### Tree Diameter Range

8" to 20"

**Wear Your Harness!**



## ATTENTION

**YOU MUST READ ALL WRITTEN INSTRUCTIONS  
AND WATCH THIS SAFETY VIDEO BEFORE USING!**



**WATCH THIS SAFETY VIDEO BEFORE USING!**

Scan →



or Visit →

[www.standsafety.com/r1](http://www.standsafety.com/r1)

Scan the QR code with your smart phone, tablet or similar device.

**OR**

Type the website address into your web browser to view an important safety video before using this product.

**HANG-ON STAND SAFETY**

PRODUCT MEETS  
INDUSTRY STANDARDS  
RECOGNIZED BY



PARTICIPATING MEMBER

Get parts online at  
[www.HuntRiversEdge.com](http://www.HuntRiversEdge.com)

© 2022 RETI  
All Rights Reserved

P/N: 31836  
C/N: 32412  
REV3: 02/04/22

## INTRODUCTION

Rivers Edge® Treestands are engineered with you the hunter in mind. We appreciate your purchase of one of our world class treestands. Follow these few simple instructions and your stand will provide you many years of trouble-free pleasure. Instructions should be kept in a safe place and reviewed at least annually.

If for any reason you have a problem with your product, **DO NOT return to the retailer**, contact the Rivers Edge® customer service department at 800-345-6007 for assistance.

## CONTENTS

Introduction/Warranty .....	2
Warnings.....	3-4
Inspection and Maintenance .....	4
Hardware Identification Chart.....	5
Tools Needed .....	5
Assembly Instructions .....	7-8
Warnings.....	9
Setup and Use Instructions.....	10-11
Threading the Float Buckle.....	11
Illustrated Parts Breakdown.....	12-13

### WARRANTY

RETI offers a **one year warranty** for all components of the treestand. These warranties apply to the original owner with a proof of purchase. These warranties begin on the date of purchase by the first retail consumer and continue for the period specified above. These warranties apply to products that are not modified, abused or used in a manner that deviates from the product's intended usage. Minor fading in color is normal and is not covered by warranty. Any corrosion of painted surfaces that occurs as a result of paint being removed or damaged is also not covered by warranty. RETI offers no other warranty expressed or implied. Products for which warranty work has been approved must be sent directly to RETI and performed by RETI. **To obtain warranty service and/or replacement instructions, you must obtain prior approval from RETI before shipping your package to us by calling our customer service department at 800-345-6007 or by writing to: RETI, P.O. Box 755, 1730 Industrial Avenue, Cumberland, WI 54829 for a return material authorization number (RMA#).** All items must be shipped prepaid. RETI will, at no charge, repair or replace, in RETI's sole discretion, any product that satisfies the conditions stated above. RETI retains the right to change models, specifications and price without notice.

This equipment has been manufactured under strict quality and safety guidelines. As with any equipment of this type, full understanding of the instructions and its use is mandatory and imperative for the safety of its user. RETI is not responsible for any damages or injuries sustained due to improper use or modification of any of its products, or resulting from any use which deviates from the product's intended usage. RETI is not responsible for any injuries sustained due to failure to read and adhere to the instructions for use. Any misunderstanding or questions regarding the products of their use should be directed to RETI prior to any use. **All RETI treestands are sold with a full body harness ("Fall Arrest System") that meets standards set by the Treestand Manufacturer's Association ("TMA").** It is the owner's sole responsibility to inspect the product regularly for damage, improper installation, or conditions that could jeopardize the ultimate safety of the product. Failure to use or improper use of the provided Fall Arrest System may result in serious injury or death. **ALWAYS wear the provided Fall Arrest System while using this product. Owner is responsible to understand and follow product field weight rating and must never exceed maximum weight rating.** RETI is not responsible for any malfunction or injury resulting from normal wear and tear, damage caused by improper use, improper maintenance, negligence or accidents. This product, if used safely as intended, will provide trouble free service for the useful life of the product. We hope you will enjoy the quality of our products for years to come, and have a safe hunt.

**STOP**

**READ AND UNDERSTAND THE FOLLOWING WARNINGS BEFORE ASSEMBLY**

**MODEL RE560**

**MAXIMUM OCCUPANCY - ONE (1) PERSON**

**TOTAL WEIGHT LIMIT - 300 LB**

**TREE DIAMETER RANGE - 8" TO 20"**

**! WARNING**

- ▲ This product carries strict weight restrictions. **Do Not** use this product if you exceed the total weight limit. Please note that the total weight limit includes the user(s) and their equipment.

**! WARNING**

- ▲ **When hunting from a treestand falls can occur any time after leaving the ground causing injury or death.**
- ▲ **Always** wear a Fall Arrest System (FAS) comprising a full body harness at all times after leaving the ground. You must stay connected at all times after leaving the ground while using climbing and hang-on treestands. Single safety belts and chest harnesses are no longer allowed and shall never be used. If you are not wearing a full body harness properly attached to the tree that is protecting you from a fall, do not leave the ground.
- ▲ **Read and understand** all of the manufacturer's Warnings and Instructions and use all safety devices provided by the manufacturer. Contact the manufacturer for any questions. Failure to do so could result in injury or death.
- ▲ **Never** exceed the total weight limit of the treestand.
- ▲ **Never** use a treestand during inclement weather such as rain, lightning, windstorms or icy conditions and end your hunt and return to the ground if inclement conditions arise.
- ▲ **Never** use a treestand while using drugs (even prescription drugs) or alcohol.
- ▲ **Never** use a treestand while feeling ill, nauseous or dizzy, or if you have a prior medical condition that could cause a problem, that is, heart condition, joints that lock-up, spinal fusions, etc., or if you are not well rested. **Never** sleep in stand.
- ▲ **Never** use a treestand on a dead, leaning, diseased or loose barked tree, or a utility pole. **Always** avoid electrical power lines.
- ▲ **Never** rely on a tree branch for support.
- ▲ **Never** jump or bounce on a treestand to seat it to the tree.

**! WARNING**

- ▲ Pull up a bow, backpack, or firearm or other equipment only after being secure in the treestand and a firearm must be pulled up with it unloaded, chamber open, and muzzle down.
- ▲ **Always** inform someone of the hunting location, where the treestand will be located and the expected duration of the hunt.
- ▲ A signal device such as a mobile phone, radio, whistle, signal flare or personal locator device (PLD) must be on your person and readily available at all times.
- ▲ Inspect the treestand and all safety devices each time before use and **Do Not** store a treestand outdoors when not in use.
- ▲ **Never** modify your treestand in any way by making repairs, replacing parts, or altering it except if explicitly authorized in writing by the manufacturer.
- ▲ Practice installing, adjusting and using your treestand at ground level prior to using it at elevated positions. Study your new stand to become familiar with all of its features and design. Doing so will confirm that the product is manufactured, assembled and installed correctly.
- ▲ Instructions (written and video) shall be kept in a safe place and reviewed at least annually. It is the responsibility of the treestand owner to furnish the complete instructions to any person who borrows or purchases the treestand.
- ▲ The use of a lineman's/climbing belt is required when installing a hang-on treestand to stabilize the user with the tree.
- ▲ Correct tightening and adjustment of chains, cables, straps, etc. are critical to stable hang-on treestand installation. All treestand contact points must be in contact with the tree before you step onto your stand.
- ▲ **Never** leave a treestand in a tree for more than two weeks since weather or animals could cause damage. Tree growth can also stress and damage straps and buckles.
- ▲ Practice the attachment of hang-on treestands at ground level before using in a hunting environment. Doing so will confirm that the product is manufactured, assembled and installed correctly. Failure to install and test at ground level first puts users at risk for serious injury or death.
- ▲ Use a haul line to raise and lower the treestand. **Never** climb with anything on your back.
- ▲ **Always** lean forward as you ascend or descend ladder or climbing aid.
- ▲ **Never** lean out over edge of device.

**⚠ WARNING**

- ▲ Climbing aids (stick ladders, sectional ladders, steps, etc.) must extend above the platform to allow the user to step down onto the platform. **Never** step up to your stand from a climbing aid. To ensure that you step down onto the platform, the maximum recommended use height is five feet less than the height of the climbing aid being used.
- ▲ **Always** maintain three (3) points of contact when climbing a ladder treestand or hang-on stand. Proper three-point contact means having either two feet with one hand or one foot with two hands on the step portion of the ladder or climbing aid at all times.
- ▲ **Do Not** use this product until you have watched the online safety video, understand it, and practiced the techniques for safe hunting discussed in this video. Video can be found with the QR code and/or URL shown on front cover of this manual.
- ▲ Read and perform all inspection and maintenance tasks before each and every use. Replace any questionable components immediately with RETI original replacement parts.
- ▲ **Do Not** crush tubing when tightening bolt assemblies! Identify and familiarize yourself with all parts before you start. A bolt identification card can be found in the back.
- ▲ Double check assembly steps to be certain you have correctly assembled this product.
- ▲ **Never** use any product that has not been maintained or inspected properly - Your life depends on it!
- ▲ Replace any and all treestand straps every two years or when signs of damage or wear exist before.
- ▲ **Do Not** use any type of after market hanging assists, bracket mount systems or any other type of mechanism to attach your hang-on treestand to a tree. These types of devices can negatively affect the stability of the treestand in the tree and reduce or prevent proper tightening, tree adhesion and performance of the treestand to the tree which can lead to serious injury or death.
- ▲ Platform must be folded up to remove stand! This allows slack in strap for removal.
- ▲ **Always** climb tree on the float buckle side of this treestand. Visually inspect that both sewn loop attachments are securely connected to be assured you have correctly attached stand to tree as per instructions and figures.
- ▲ **Always** wear the appropriate footwear when using a hang-on treestand. A good non-slip safety boot is important to your personal safety. Be especially careful that boot laces do not get hooked on the stand or any of its components (tuck shoelaces into boots before climbing).
- ▲ **Never** touch or move buckle while stand is in use.

**INSPECTION AND MAINTENANCE**

**BEFORE EACH USE PERFORM THE FOLLOWING:**

- Inspect all webbing, rope, cord, and strap assemblies for wear or damage.
- Inspect cables and/or cable ends for damage or kinking.
- Inspect all hardware and chain components for damage.
- Inspect for any structural damage to product. (If any exists call RETI customer service.)
- Inspect all nut and bolt assemblies to be certain none are loose.
- Inspect for any missing parts.
- Lubricate all pivot and slide together points with powder graphite, petroleum jelly or silicone spray to prevent noise, wear and rust.
- Inspect entire product for any rust, corrosion, cracks, freezing, excessive heat or rotting damage that may effect the safety of your product. Discard any questionable product.
- Inspect entire product for any structural damage - pay close attention to all weld locations. (Return to factory for repair or discard product if any damage is found.)
- Using correct wrenches inspect all nut & bolt assembly locations and snug up any that may be loose. Be careful not to crush tubing when tightening!
- Inspect and check operation of all cables, cable ends, cord, rope, webbing, and strap or chain assemblies. Replace with factory new any item or assembly that shows signs of wear, damage, kinking, or functions incorrectly.
- Inspect seat. Replace any seat with factory new that shows signs of structural damage or wear.
- Inspect all hardware for wear or damage, also be sure you have no missing parts.
- Never modify your stand in any way by making repairs, replacing parts, or altering adding or attaching anything to it except if explicitly authorized in writing by the manufacturer.

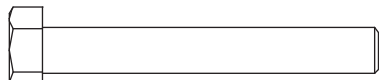
**⚠ WARNING**

- ▲ **Only** use approved RETI parts. Failure to do so may result in serious injury or death!

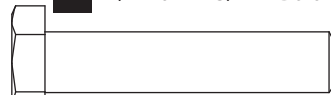
# HARDWARE IDENTIFICATION CHART

Bolts shown are for size reference.  
Extra hardware may be included in the parts bag.

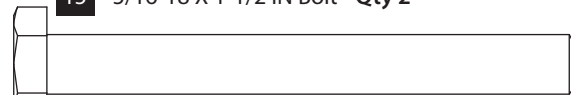
**Quick Tip:** Cut page out to use as a reference tool while following assembly instructions



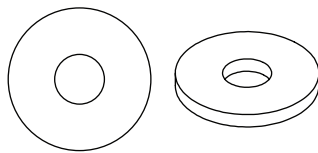
**14** 1/4-20 X 1-3/4 IN Bolt - Qty 2



**15** 5/16-18 X 1-1/2 IN Bolt - Qty 2

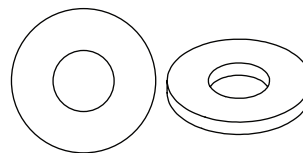


**17** 5/16-18 X 2-3/4 IN Bolt - Qty 2



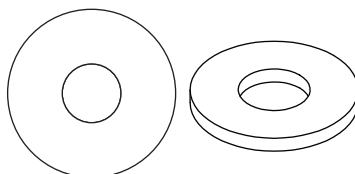
**22**

M6 Yellow Washer  
Qty 2



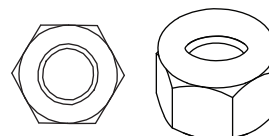
**23**

M8 Yellow Washer  
Qty 8



**21**

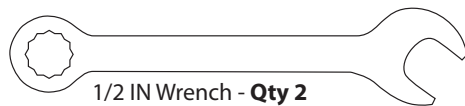
Steel Washer  
Qty 2



**20**

5/16-18 Nut  
Qty 4

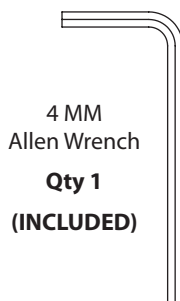
## TOOLS FOR ASSEMBLY (NOT TO SCALE)



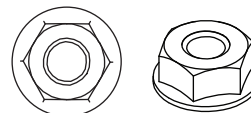
1/2 IN Wrench - Qty 2



7/16 IN Wrench - Qty 2

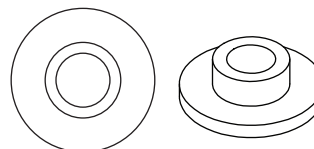


4 MM  
Allen Wrench  
Qty 1  
(INCLUDED)



**19**

1/4-20 Nut  
Qty 2



**24**

Yellow Washer  
Insert  
Qty 4

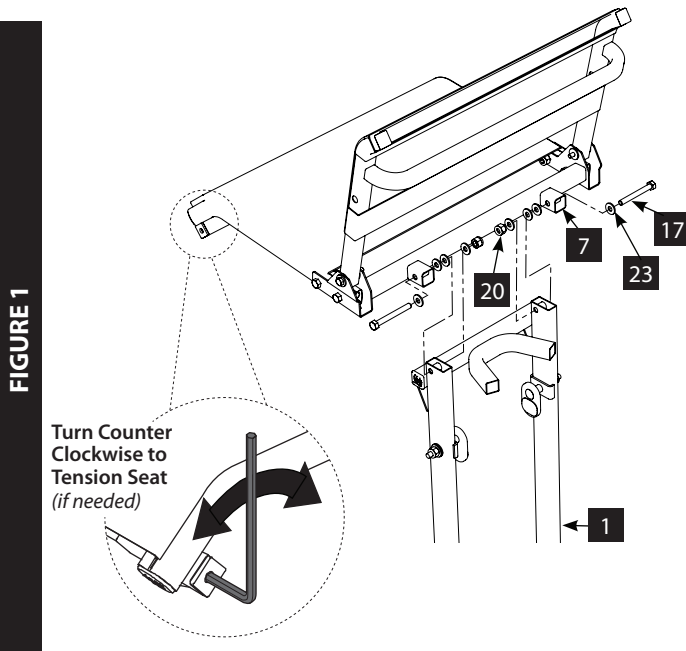


## ASSEMBLY INSTRUCTIONS

All assembly must be done in this order at ground level before use.

Do not remove labels/warnings from product, they are there for your safety.

Recommended for adult use only.



**NOTE:** When selecting a tree to install the treestand in, never use a treestand on a dead, leaning, diseased or loose barked tree, or a utility pole. Always avoid electrical power lines.

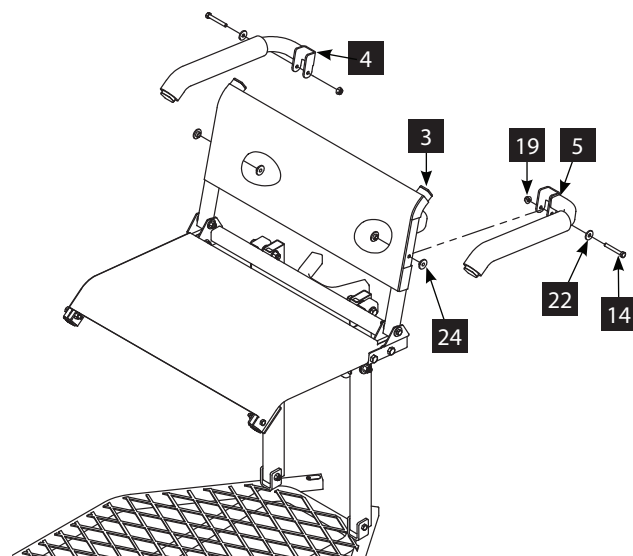
1. Attach seat assembly (7) to seat post (1) using two provided 5/16-18 x 2-3/4 bolts (17), eight 5/16 yellow washers (23) and two 5/16-18 locknuts (20). **SEE FIGURE 1.**

**NOTE:** Pay close attention to the location of the yellow washers. One yellow washer goes between the bolt head and the seat post; two yellow washers go between the seat post and the seat frame; one yellow washer goes between the seat frame and the locknut.

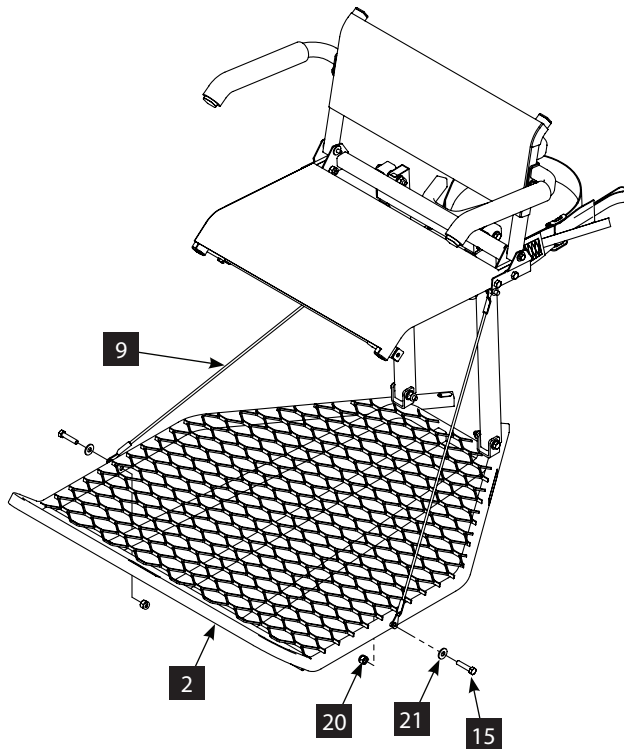
**NOTE:** The TearTuff seat can be tensioned more if needed. Using the provided 4 MM allen wrench, rotate the M6 x 70 MM bolt counter-clockwise, through the cap hole, to create tension in the TearTuff seat. Do not over tension the seat because it could cause parts to bow and the bolt to strip. **SEE DETAIL VIEW.**

2. Attach right armrest (4) and left armrest (5) to backrest frame (3) of the seat assembly using two provided 1/4-20 x 1-3/4 bolts (14), two 1/4 yellow washers (22), four yellow washer inserts (24) and two 1/4-20 locknuts (19). **SEE FIGURE 2.**

**NOTE:** Pay close attention to the location of the yellow washers and yellow washer inserts. A yellow washer (22) goes between the bolt head and the armrest; the yellow washer inserts (24) go between the backrest frame and armrest, one on each side of the backrest frame channel.



**FIGURE 3**

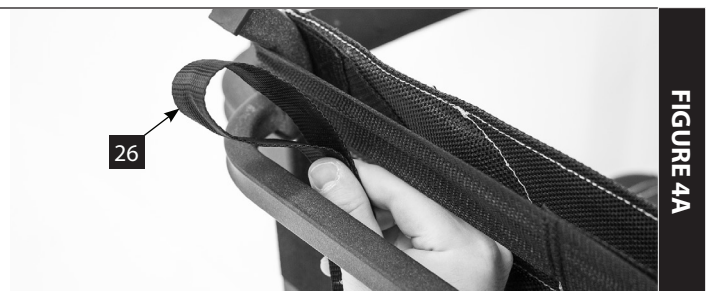


3. Bolt cables (9) onto platform (2) using two provided 5/16-18 x 1-1/2 bolts (15), two steel washers (21) and two 5/16-18 locknuts (20). **SEE FIGURE 3. You must now tighten all nut & bolt assemblies. Be sure not to over tighten or crush tubing when tightening!**

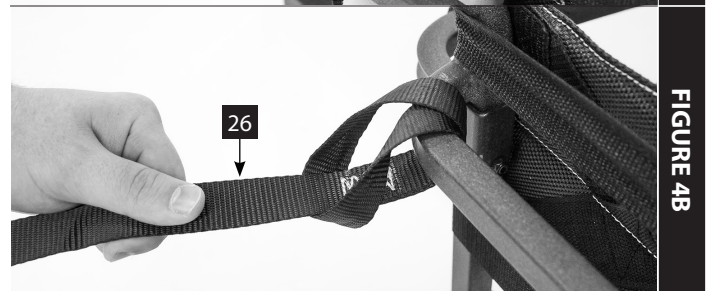
4. a. Attach the long strap of the cam buckle strap (26) to the backrest (3) by feeding the sewn loop of the long strap around the left or right end of the horizontal backrest support. **SEE FIGURE 4A.** Feed the loose end of the long strap through the sewn loop and pull tight to form a cinch knot. **SEE FIGURE 4B.** This permanently attaches the long strap to the backrest.

b. Attach the cam buckle portion of the cam buckle strap (26) to the opposite end of the horizontal backrest support by feeding the sewn loop around the horizontal support. Feed the cam buckle end through the sewn loop and pull tight to form a cinch knot. This permanently attaches the cam buckle strap to the backrest. **SEE FIGURES 4A, 4B AND 4C.**

**NOTE: Cam buckle strap will be used during set-up and use to secure the backrest to the tree.**



**FIGURE 4A**



**FIGURE 4B**



**FIGURE 4C**



**STOP**

**READ AND UNDERSTAND THE FOLLOWING WARNINGS BEFORE SETUP AND USE**

**⚠ WARNING**

- ▲ Double check assembly steps to be certain you have correctly assembled this product.
- ▲ Practice installing, adjusting and using your treestand at ground level prior to using it at elevated positions. Study your new stand to become familiar with all of its features and design. Doing so will confirm that the product is manufactured, assembled and installed correctly.
- ▲ **Always** wear the appropriate footwear when using a hang-on treestand. A good non-slip safety boot is important to your personal safety. Be especially careful that boot laces do not get hooked on the stand or any of its components (tuck shoelaces into boots before climbing).
- ▲ Climbing aids (stick ladders, sectional ladders, steps, etc.) must extend above the platform to allow the user to step down onto the platform. **Never** step up to your stand from a climbing aid. To ensure that you step down onto the platform, the maximum recommended use height is five feet less than the height of the climbing aid being used.
- ▲ **Always** maintain three (3) points of contact when climbing a ladder treestand or hang-on stand. Proper three-point contact means having either two feet with one hand or one foot with two hands on the step portion of the ladder or climbing aid at all times.
- ▲ **Always** lean forward as you ascend or descend ladder or climbing aid.

**⚠ WARNING**

- ▲ **Do Not** twist strap when attaching. See setup and use instructions for correct attachment.
- ▲ **Always** climb tree on the attachment side of this treestand. Visually inspect your connection to be assured you have correctly attached stand to tree as per instructions and diagrams.
- ▲ The use of a lineman's/climbing belt is required while ascending, descending and installing a hang-on treestand to stabilize the user with the tree.
- ▲ Correct tightening and adjustments of chains, cables, straps, etc. are critical to stable hang-on treestand installation. All treestand contact points must be in contact with the tree before you step onto your stand.
- ▲ **Never** touch or move buckle while stand is in use.
- ▲ If seat is removable, be certain it is securely attached when in use.
- ▲ **Never** stand on seat, it is designed for sitting only.
- ▲ Some models include a footrest, which is designed as a footrest only. **Never** stand on footrest! **Always** be fully aware of foot placement.

## SETUP AND USE INSTRUCTIONS

*During installation and removal of a hang-on treestand, you must always and properly use the included Full Body Harness (Fall Arrest System) with climbing belt. Refer to the Full Body Harness and climbing belt instructions included with this product for proper use. You must always use the Full Body Harness while using this product.*

### CRITICAL STRAP ATTACHMENT INSTRUCTIONS

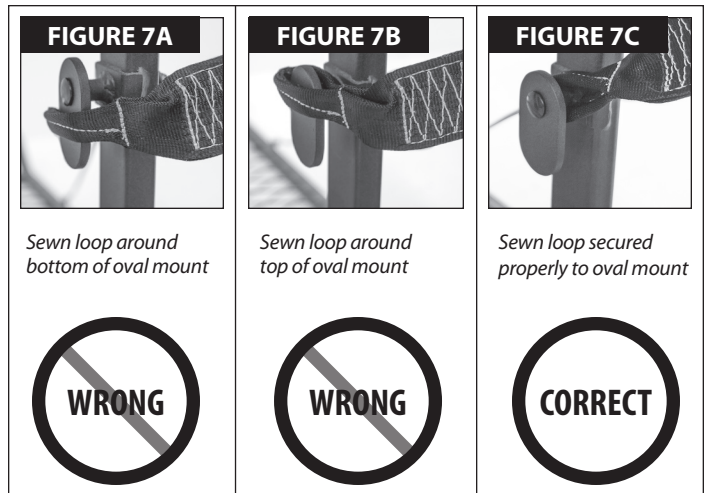
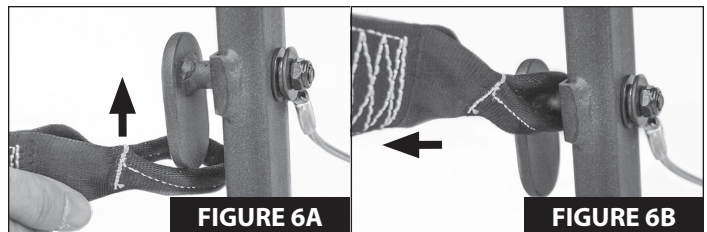
Improper strap attachment to the treestand and/or improper treestand attachment to the tree may lead to serious injury or death due to sudden release of an incorrectly attached strap/treestand!

1. The Big Foot strap (13) can be attached so that the sewn loop side with the float buckle can be put on either side of the treestand depending on your left or right hand installation preference. Make sure to always orientate climbing aid to the float buckle side of the strap. Start by attaching the sewn loop of the long side strap to either the left or right side of treestand by sliding sewn loop completely over the oval mount. **SEE FIGURES 5 AND 6A-6B.**
2. The sewn loop on float buckle side secures to the opposite side of treestand in the same way as described in step 1 by sliding sewn loop completely over the oval mount.
3. It is critical that you secure the sewn loops of Big Foot strap to the oval mounts properly and securely, your life depends on it! **DO NOT** attach the sewn loops of the strap as shown in **FIGURES 7A-7B** or any other incorrect fashion or you may be seriously injured or killed due to sudden release of an incorrectly attached strap/treestand to the tree!



### **WARNING**

- ▲ **Never** use a treestand on a dead, leaning, diseased or loose barked tree, or a utility pole. **Always** avoid electrical power lines.
- ▲ It is critical to familiarize yourself with how the strap attaches to the stand. Practice attaching the stand to the tree several times at ground level before ascending up the tree.
- ▲ **All** users are responsible for ensuring strap is attached to treestand properly and securely. Failure to do so may result in serious injury or death. Read and understand all instructions for proper installation procedure and product warnings before use.



## TREE ATTACHMENT INSTRUCTIONS

- At desired height, attach by following instructions - a,b,c,d,e,f.

**NOTE: Stand should be attached to tree with platform folded in an upright position!**

a. Lengthen strap by pulling float buckle away from strap - this will allow strap to slide around float buckle roller bar.

b. With the sewn loop of the long side strap attached correctly, take sewn loop on float buckle end and wrap around tree. Be sure the strap is even and at the same level all the way around the tree. Also, be sure there are no twists in the strap. Connect sewn loop to opposite side of stand by correctly looping over opposite oval mount. Be absolutely sure both sewn loops are securely attached and can not come off. **SEE CRITICAL STRAP ATTACHMENT INSTRUCTIONS.**

c. Pull on excess end of strap firmly - snugging up stand to tree. **SEE FIGURE 8.**

**NOTE: Platform must be folded up while doing this.**

d. While platform is still folded up, push treestand in a downward direction as shown by arrow to further tighten strap. **SEE FIGURE 9.**

e. Once securely attached, pivot the platform down. This lever-action will snug stand up tight to tree to prevent any shifting. Redo as necessary to accomplish a snug stand-to-tree fit. All four contact bars must be touching tree! **SEE FIGURE 10.**

f. The tension on strap will not allow any slippage due to roller bar tension of buckle. Proper installation should be checked prior to stepping onto platform to ensure safety.

- Before stepping down onto center of stand platform, be sure it is secured properly and is tight against tree with all four contact bars touching tree!
- Carefully step onto stand platform to be sure you have a solid feel against tree and platform is level. Seat folds down for sitting and tips back for standing.
- You are now ready to use your hang-on.
- To remove stand, fold platform back up and pull on buckle hand strap to release tension on roller bar.

## THREADING THE FLOAT BUCKLE

Always check the condition of your Big Foot strap before use. If strap becomes twisted or if you need to replace a worn or damaged strap, make sure to follow these instruction to ensure proper assembly.

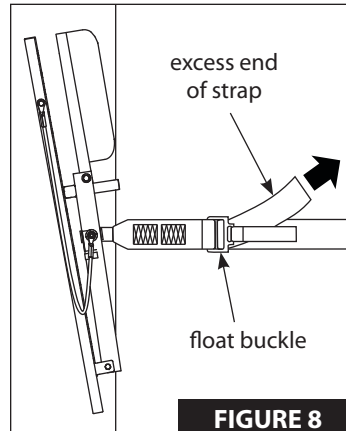
- Hold float buckle so warning tag faces upward. **SEE FIGURE 11.**
- Feed end tail of strap up through the bottom of the float buckle on the sewn loop side of the roller bar. **SEE FIGURE 12.**  
**NOTE: Smooth side of end tail must face sewn loop.**
- Feed end tail over roller bar and down through float buckle. **SEE FIGURE 13.**
- Pull end tail away from float buckle. **SEE FIGURE 13.**

## IMPORTANT

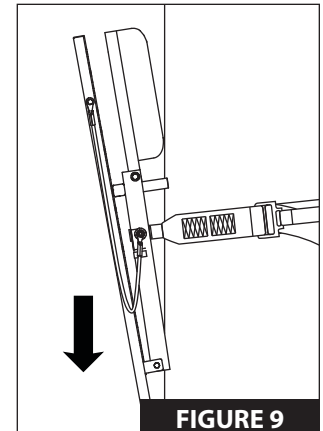
- Reverse the Set-Up and Use Instructions to take the treestand down.

## WARNING

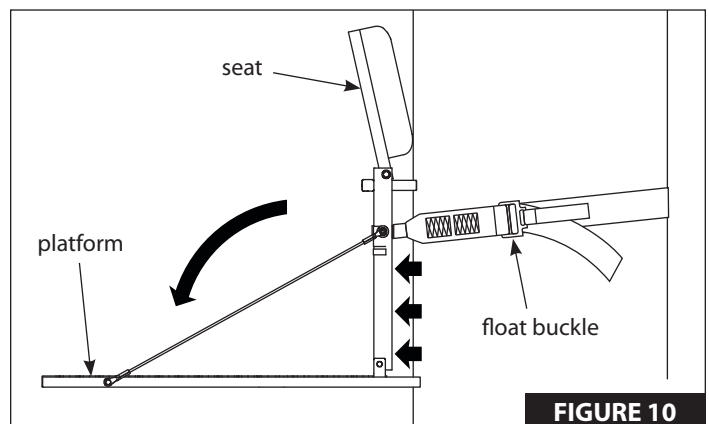
- Platform must be folded up to remove stand! This allows slack in strap for removal.



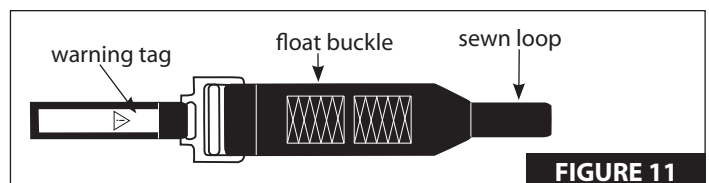
**FIGURE 8**



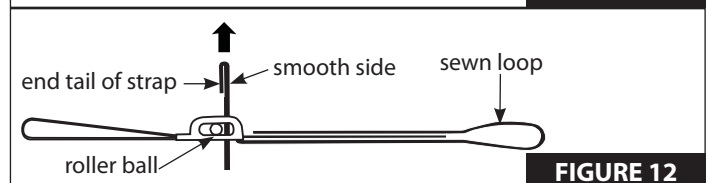
**FIGURE 9**



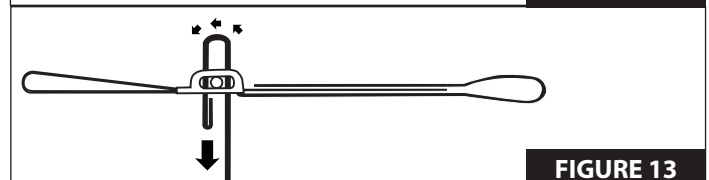
**FIGURE 10**



**FIGURE 11**

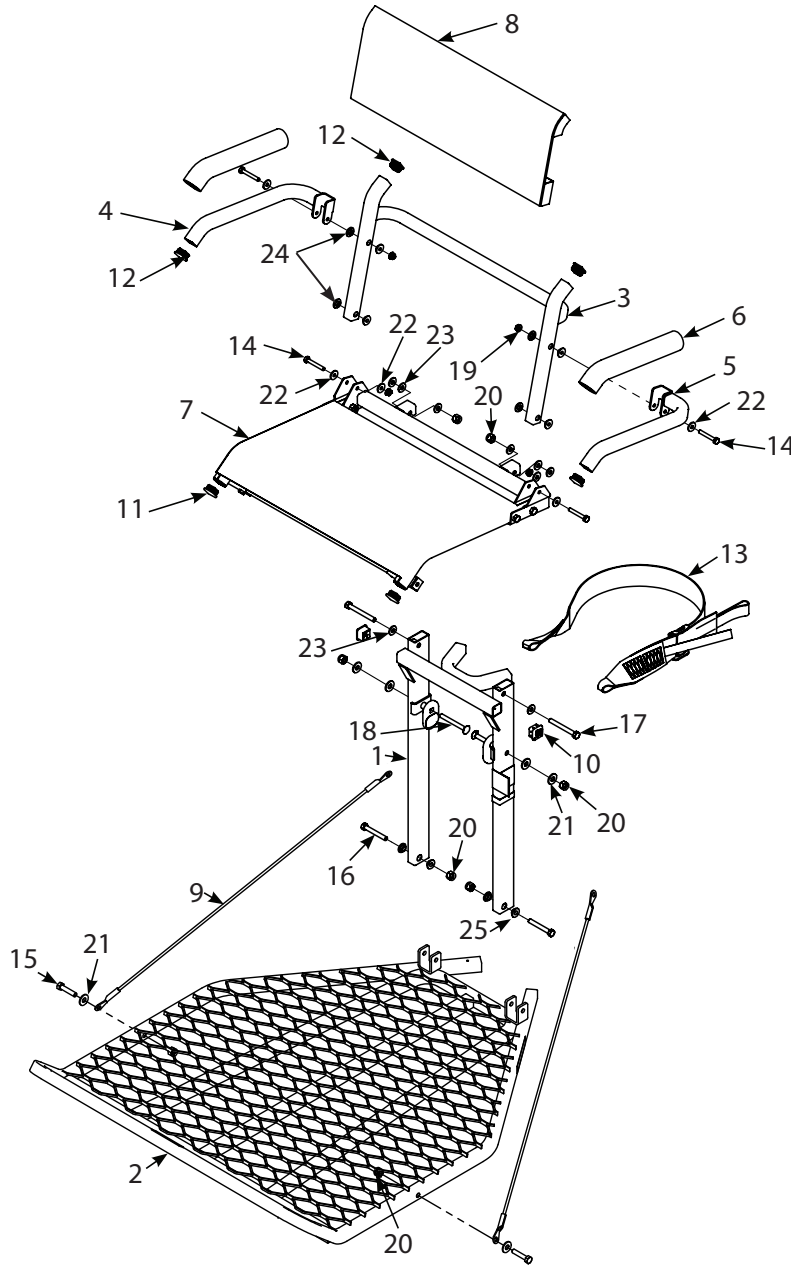


**FIGURE 12**



**FIGURE 13**

## ILLUSTRATED PARTS BREAKDOWN



**PARTS LIST**

KEY #	PART #	DESCRIPTION	QTY.
1	23463	SEAT POST	1
2	31743	PLATFORM	1
3	23469	BACKREST FRAME	1
4	23473	ARMREST RIGHT	1
5	23475	ARMREST LEFT	1
6	23479	ARMREST FOAM PAD	2
7	31751	SEAT LOUNGER ASSEMBLY	1
8	23471	SEWN TEARTUFF BACKREST	1
9	48212	28 INCH CABLE	2
10	18551	SEAT POST PLASTIC PLUG	2
11	23307	SEAT CHANNEL PLASTIC CAP	2
12	23439	BACKREST/ARMREST END PLUG	4
13	18063	STRAP ASSEMBLY	1
14	48250B	BOLT 1/4-20 X 1-3/4 HHCS	4
15	48152	BOLT 5/16-18 X 1-1/2 HHCS	2
16	1423B	BOLT 5/16-18 X 2 HHCS	2
17	17949	BOLT 5/16-18 X 2-3/4 HH	2
18	27969	BOLT 5/16-18 X 2-3/4 CRG	2
19	48752B	NUT 1/4-20 HFNYLK	4
20	60G5NYB	NUT 5/16-18 HNYLK	8
21	WF516B	WASHER 5/16 X 7/8 X 5/64 IN	6
22	23572	WASHER YELLOW NYLON 6.5MM X 19.0MM X 2.0MM	6
23	23523	WASHER YELLOW NYLON 8.1MM X 19.0MM X 2.0MM	8
24	26837	WASHER INSERT YELLOW M6	8
25	26328	WASHER INSERT YELLOW M8	4
<b>ITEMS BELOW NOT SHOWN</b>			
26	MK021-1401	6 FT CAM BUCKLE STRAP	1
27	40697	FALL ARREST SYSTEM (FAS)	1
28	15599	CLIMBING BELT	1



## OTHER GREAT PRODUCTS BY RIVERS EDGE TREESTANDS



**LANDMARK™**  
PERMANENT BLINDS

Portable ground blinds take a beating from the sun, wind, rain and snow. Colors fade, materials rot, poles break and fabric tears. The Landmark Permanent Blind was designed and constructed to resist the elements year after year. The durable steel frame is covered in marine-grade reinforced synthetic tarpaulin, made from the same rugged materials used in pick-up truck tonneau covers. The window configuration allows you to precisely control gap vertically, horizontally or both. If you're looking for an affordable year-round hunting blind with enough room for group hunts and archers, the Landmark Permanent Blind is for you.

## **BigFoot™** CLIMBING SYSTEMS



All climbing aids are not created equal. For starters, Bigfoot Climbing Aids feature extra-large rungs that a hunter can place two feet on the same level. Next we use a permanent anti-slip coating called Tractionite. Our assortment of climbing aids securely attach to the tree using a cam straps or ratchet straps. We take immense pride and satisfaction in knowing that our designs consistently gain praise from hunters and outfitters who recognize the little differences. A big hunt should never be ruined over a little climb!

## **BigFoot™** LEVER-ACTION HANG-ONS



Nothing attaches to a tree tighter than a Big Foot™ Treestand! Our line of lever-action hang-on stands bite into the tree eliminating the need for a second strap. Other treestands use small ratchet straps that are not as secure once installed. Perfect for sitting on a tree at ground level or higher up when paired with our climbing aids. Feel the stability of a Big Foot™ Treestand for yourself!

**Big Foot**<sup>™</sup>

**LEVER-ACTION HANG-ONS**

***WE ARE HUNTERS***

**Rivers Edge® Treestands, Inc.**

1730 Industrial Avenue, PO Box 755  
Cumberland, WI 54829

Phone: 800-345-6007

Fax: 715-822-2124

Email: [info@huntriversedge.com](mailto:info@huntriversedge.com)

\*All weights, specifications and features are approximate and are subject to change without notice. Due to continuous product improvements, product images may not be exact. Warning labels in some product images may have been removed for photography purposes only. Props shown in photos not included. Some assembly may be required.