

Big Foot™

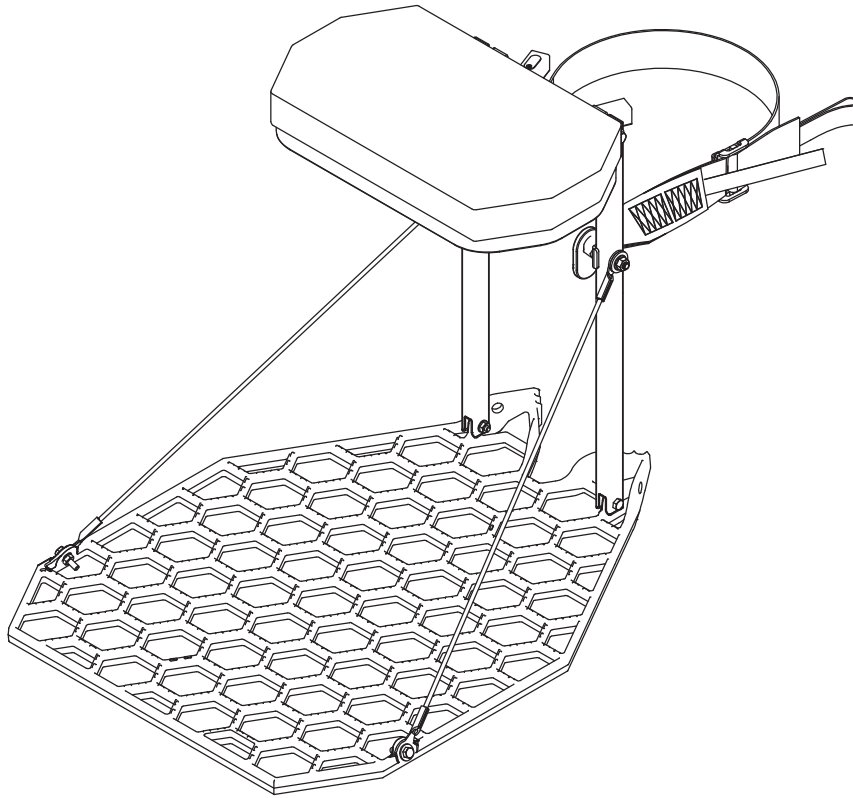
LEVER-ACTION HANG-ONS

WE ARE HUNTERS

Operator's Manual

LITE FOOT™ Hang-On Stand

MODEL RE557



Maximum Field Rating

300 lbs

Tree Diameter Range

8" to 20"

Wear Your Harness!



ATTENTION

**YOU MUST READ ALL WRITTEN INSTRUCTIONS
AND WATCH THIS SAFETY VIDEO BEFORE USING!**



WATCH THIS SAFETY VIDEO BEFORE USING!

Scan →



or Visit →

www.standsafety.com/r1

Scan the QR code with your smart phone, tablet or similar device.

OR

Type the website address into your web browser to view an important safety video before using this product.

HANG-ON STAND SAFETY

PRODUCT MEETS
INDUSTRY STANDARDS
RECOGNIZED BY



PARTICIPATING MEMBER

Get parts online at
www.HuntRiversEdge.com

© 2022 RETI
All Rights Reserved

P/N: 25735
C/N: 25734
REV5: 01/25/22

INTRODUCTION

Rivers Edge® Treestands are engineered with you the hunter in mind. We appreciate your purchase of one of our world class treestands. Follow these few simple instructions and your stand will provide you many years of trouble-free pleasure. Instructions should be kept in a safe place and reviewed at least annually.

If for any reason you have a problem with your product, **DO NOT return to the retailer**, contact the Rivers Edge® customer service department at 800-345-6007 for assistance.

CONTENTS

Introduction/Warranty	2
Warnings.....	3-4
Inspection and Maintenance	4
Hardware Identification Chart.....	5
Tools Needed	5
Assembly Instructions	6
Warnings.....	7
Setup and Use Instructions.....	8-9
Illustrated Parts Breakdown.....	10-11

WARRANTY

RETI offers a one year warranty for all components of the treestand. These warranties apply to the original owner with a proof of purchase. These warranties begin on the date of purchase by the first retail consumer and continue for the period specified above. These warranties apply to products that are not modified, abused or used in a manner that deviates from the product's intended usage. Minor fading in color is normal and is not covered by warranty. Any corrosion of painted surfaces that occurs as a result of paint being removed or damaged is also not covered by warranty. RETI offers no other warranty expressed or implied. Products for which warranty work has been approved must be sent directly to RETI and performed by RETI. **To obtain warranty service and/or replacement instructions, you must obtain prior approval from RETI before shipping your package to us by calling our customer service department at 800-345-6007 or by writing to: RETI, P.O. Box 755, 1730 Industrial Avenue, Cumberland, WI 54829 for a return material authorization number (RMA#).** All items must be shipped prepaid. RETI will, at no charge, repair or replace, in RETI's sole discretion, any product that satisfies the conditions stated above. RETI retains the right to change models, specifications and price without notice.

This equipment has been manufactured under strict quality and safety guidelines. As with any equipment of this type, full understanding of the instructions and its use is mandatory and imperative for the safety of its user. RETI is not responsible for any damages or injuries sustained due to improper use or modification of any of its products, or resulting from any use which deviates from the product's intended usage. RETI is not responsible for any injuries sustained due to failure to read and adhere to the instructions for use. Any misunderstanding or questions regarding the products of their use should be directed to RETI prior to any use. **All RETI treestands are sold with a full body harness ("Fall Arrest System") that meets standards set by the Treestand Manufacturer's Association ("TMA").** It is the owner's sole responsibility to inspect the product regularly for damage, improper installation, or conditions that could jeopardize the ultimate safety of the product. Failure to use or improper use of the provided Fall Arrest System may result in serious injury or death. **ALWAYS wear the provided Fall Arrest System while using this product. Owner is responsible to understand and follow product field weight rating and must never exceed maximum weight rating.** RETI is not responsible for any malfunction or injury resulting from normal wear and tear, damage caused by improper use, improper maintenance, negligence or accidents. This product, if used safely as intended, will provide trouble free service for the useful life of the product. We hope you will enjoy the quality of our products for years to come, and have a safe hunt.

STOP

READ AND UNDERSTAND THE FOLLOWING WARNINGS BEFORE ASSEMBLY

MODEL RE557

MAXIMUM OCCUPANCY - ONE (1)
TOTAL WEIGHT LIMIT - 300 LB
TREE DIAMETER RANGE - 8" TO 20"

! WARNING

- ▲ This product carries strict weight restrictions. **Do Not** use this product if you exceed the total weight limit. Please note that the total weight limit includes the user(s) and their equipment.

! WARNING

- ▲ **When hunting from a treestand falls can occur any time after leaving the ground causing injury or death.**
- ▲ **Always** wear a Fall Arrest System (FAS) comprising a full body harness at all times after leaving the ground. You must stay connected at all times after leaving the ground while using climbing and hang-on treestands. Single safety belts and chest harnesses are no longer allowed and shall never be used. If you are not wearing a full body harness properly attached to the tree that is protecting you from a fall, do not leave the ground.
- ▲ **Read and understand** all of the manufacturer's Warnings and Instructions and use all safety devices provided by the manufacturer. Contact the manufacturer for any questions. Failure to do so could result in injury or death.
- ▲ **Never** exceed the total weight limit of the treestand.
- ▲ **Never** use a treestand during inclement weather such as rain, lightning, windstorms or icy conditions and end your hunt and return to the ground if inclement conditions arise.
- ▲ **Never** use a treestand while using drugs (even prescription drugs) or alcohol.
- ▲ **Never** use a treestand while feeling ill, nauseous or dizzy, or if you have a prior medical condition that could cause a problem, that is, heart condition, joints that lock-up, spinal fusions, etc., or if you are not well rested. **Never** sleep in stand.
- ▲ **Never** use a treestand on a dead, leaning, diseased or loose barked tree, or a utility pole. **Always** avoid electrical power lines.
- ▲ **Never** rely on a tree branch for support.
- ▲ **Never** jump or bounce on a treestand to seat it to the tree.

! WARNING

- ▲ Pull up a bow, backpack, or firearm or other equipment only after being secure in the treestand and a firearm must be pulled up with it unloaded, chamber open, and muzzle down.
- ▲ **Always** inform someone of the hunting location, where the treestand will be located and the expected duration of the hunt.
- ▲ A signal device such as a mobile phone, radio, whistle, signal flare or personal locator device (PLD) must be on your person and readily available at all times.
- ▲ Inspect the treestand and all safety devices each time before use and **Do Not** store a treestand outdoors when not in use.
- ▲ **Never** modify your treestand in any way by making repairs, replacing parts, or altering it except if explicitly authorized in writing by the manufacturer.
- ▲ Practice installing, adjusting and using your treestand at ground level prior to using it at elevated positions. Study your new stand to become familiar with all of its features and design. Doing so will confirm that the product is manufactured, assembled and installed correctly.
- ▲ Instructions (written and video) shall be kept in a safe place and reviewed at least annually. It is the responsibility of the treestand owner to furnish the complete instructions to any person who borrows or purchases the treestand.
- ▲ The use of a lineman's/climbing belt is required when installing a hang-on treestand to stabilize the user with the tree.
- ▲ Correct tightening and adjustment of chains, cables, straps, etc. are critical to stable hang-on treestand installation. All treestand contact points must be in contact with the tree before you step onto your stand.
- ▲ **Never** leave a treestand in a tree for more than two weeks since weather or animals could cause damage. Tree growth can also stress and damage straps and buckles.
- ▲ Practice the attachment of hang-on treestands at ground level before using in a hunting environment. Doing so will confirm that the product is manufactured, assembled and installed correctly. Failure to install and test at ground level first puts users at risk for serious injury or death.
- ▲ Use a haul line to raise and lower the treestand. **Never** climb with anything on your back.
- ▲ **Always** lean forward as you ascend or descend ladder or climbing aid.
- ▲ **Never** lean out over edge of device.

⚠ WARNING

- ▲ Climbing aids (stick ladders, sectional ladders, steps, etc.) must extend above the platform to allow the user to step down onto the platform. **Never** step up to your stand from a climbing aid. To ensure that you step down onto the platform, the maximum recommended use height is five feet less than the height of the climbing aid being used.
- ▲ **Always** maintain three (3) points of contact when climbing a ladder treestand or hang-on stand. Proper three-point contact means having either two feet with one hand or one foot with two hands on the step portion of the ladder or climbing aid at all times.
- ▲ **Do Not** use this product until you have watched the safety video, understand it, and practiced the techniques for safe hunting discussed in this video. The video can be found with the QR code and/or URL shown on front cover of this manual.
- ▲ Read and perform all inspection and maintenance tasks before each and every use. Replace any questionable components immediately with RETI original replacement parts.
- ▲ **Do Not** crush tubing when tightening bolt assemblies! Identify and familiarize yourself with all parts before you start. A bolt identification cart can be found on the following page.
- ▲ Double check assembly steps to be certain you have correctly assembled this product.
- ▲ **Never** use any product that has not been maintained or inspected properly - Your life depends on it!
- ▲ Replace any and all treestand straps every two years or when signs of damage or wear exist before.
- ▲ **Do Not** use any type of after market hanging assists, bracket mount systems or any other type of mechanism to attach your hang-on treestand to a tree. These types of devices can negatively affect the stability of the treestand in the tree and reduce or prevent proper tightening, tree adhesion and performance of the treestand to the tree which can lead to serious injury or death.
- ▲ Platform must be folded up to remove stand! This allows slack in strap for removal.
- ▲ **Always** climb tree on the float buckle side of this treestand. Visually inspect that both sewn loop attachments are securely connected to be assured you have correctly attached stand to tree as per instructions and figures.
- ▲ **Always** wear the appropriate footwear when using a hang-on treestand. A good non-slip safety boot is important to your personal safety. Be especially careful that boot laces do not get hooked on the stand or any of its components (tuck shoelaces into boots before climbing).
- ▲ **Never** touch or move buckle while stand is in use.

INSPECTION AND MAINTENANCE

BEFORE EACH USE PERFORM THE FOLLOWING:

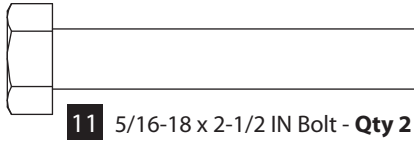
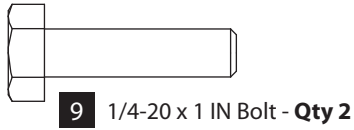
- Inspect all webbing, rope, cord, and strap assemblies for wear or damage.
- Inspect cables and/or cable ends for damage or kinking.
- Inspect all hardware and chain components for damage or wear.
- Inspect for any structural damage to product. (If any exists stop use immediately and call RETI Customer Service.)
- Inspect all nut and bolt assemblies to be certain none are loose.
- Inspect for any missing parts.
- Lubricate all pivot and slide together points with powder graphite, petroleum jelly or silicone spray to prevent noise, wear and rust.
- Inspect entire product for any rust, corrosion, cracks, freezing, excessive heat or rotting damage that may effect the safety of your product. Discard any questionable product.
- Inspect entire product for any structural damage - pay close attention to all weld locations. (Discard product if any damage is found.)
- Using correct wrenches inspect all nut & bolt assembly locations and snug up any that may be loose. Be careful not to crush tubing when tightening!
- Inspect and check operation of all cables, cable ends, cord, rope, webbing, and strap or chain assemblies. Replace with RETI original replacement parts any item or assembly that shows signs of wear, damage, kinking, or functions incorrectly.
- Inspect seat for damage or wear. Replace any seat with factory new that shows signs of structural damage or wear.
- Never modify your stand in any way by making repairs, replacing parts, or altering by adding or attaching anything to it except if explicitly authorized in writing by the manufacturer.

⚠ WARNING

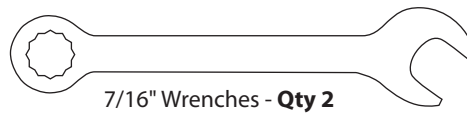
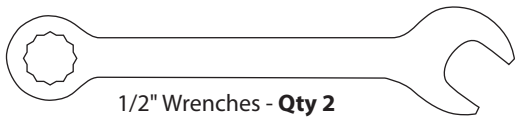
- ▲ **Only** use approved RETI parts. Failure to do so may result in serious injury or death!

HARDWARE IDENTIFICATION CHART

Bolts shown are for size reference.
Extra hardware may be included in the parts bag.



TOOLS NEEDED



ASSEMBLY INSTRUCTIONS

All assembly must be done in this order at ground level before use.
Do not remove labels/warnings from product, they are there for your safety.
Recommended for adult use only.

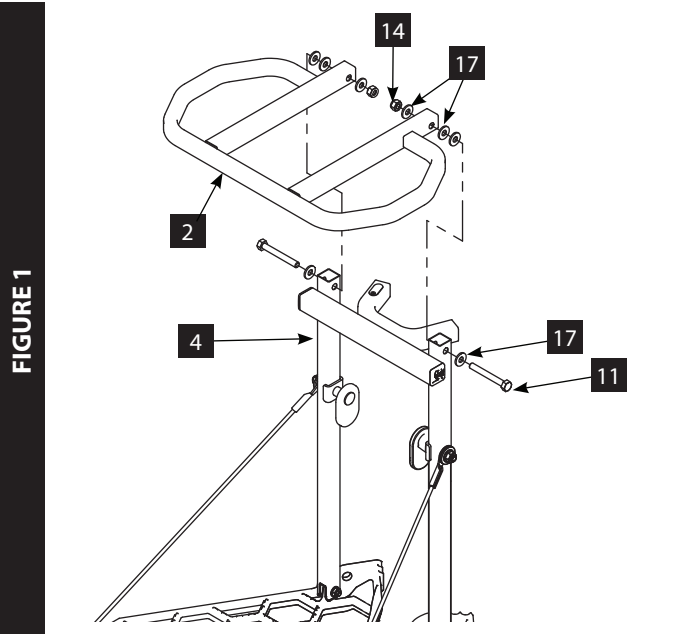


FIGURE 1

NOTE: When selecting a tree to install the treestand in, never use a treestand on a dead, leaning, diseased or loose barked tree, or a utility pole. Always avoid electrical power lines.

1. Bolt the metal seat frame (2) onto the seat posts (4) using two 5/16-18 x 2-1/2 IN bolts (11), 5/16-18 locknuts (14) and eight nylon washers (17). **SEE FIGURE 1.**

NOTE: DO NOT tighten all nut & bolt assemblies completely!

Attach removable seat pad (5) to metal seat frame (2) by sliding seat frame into pocket. Wrap the seat's hook and loop attachment straps or buckle straps around seat frame and secure together. Snap the side release buckle together for buckle style seats. Pull straps tight so seat is not loose.

2. Attach cables (3) onto platform (1) using two 1/4-20 x 1 IN bolts (9), 1/4-20 locknuts (13) and 1/4-20 steel washers (15). **SEE FIGURE 2.**

NOTE: You must now tighten all nut & bolt assemblies. Be sure not to over tighten or crush tubing when tightening!

NOTE: Using powder graphite lubricant during assembly of moving parts will help eliminate noise during use!

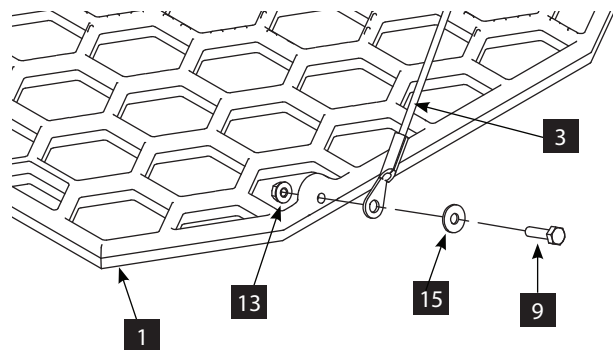


FIGURE 2

STOP

READ AND UNDERSTAND THE FOLLOWING WARNINGS BEFORE SETUP AND USE

⚠ WARNING

- ▲ Double check assembly steps to be certain you have correctly assembled this product.
- ▲ Practice installing, adjusting and using your treestand at ground level prior to using it at elevated positions. Study your new stand to become familiar with all of its features and design. Doing so will confirm that the product is manufactured, assembled and installed correctly.
- ▲ **Always** wear the appropriate footwear when using a hang-on treestand. A good non-slip safety boot is important to your personal safety. Be especially careful that boot laces do not get hooked on the stand or any of its components (tuck shoelaces into boots before climbing).
- ▲ Climbing aids (stick ladders, sectional ladders, steps, etc.) must extend above the platform to allow the user to step down onto the platform. **Never** step up to your stand from a climbing aid. To ensure that you step down onto the platform, the maximum recommended use height is five feet less than the height of the climbing aid being used.
- ▲ **Always** maintain three (3) points of contact when climbing a ladder treestand or hang-on stand. Proper three-point contact means having either two feet with one hand or one foot with two hands on the step portion of the ladder or climbing aid at all times.
- ▲ **Always** lean forward as you ascend or descend ladder or climbing aid.

⚠ WARNING

- ▲ **Do Not** twist strap when attaching. See setup and use instructions for correct attachment.
- ▲ **Always** climb tree on the attachment side of this treestand. Visually inspect your connection to be assured you have correctly attached stand to tree as per instructions and diagrams.
- ▲ The use of a lineman's/climbing belt is required while ascending, descending and installing a hang-on treestand to stabilize the user with the tree.
- ▲ Correct tightening and adjustments of chains, cables, straps, etc. are critical to stable hang-on treestand installation. All treestand contact points must be in contact with the tree before you step onto your stand.
- ▲ **Never** touch or move buckle while stand is in use.
- ▲ If seat is removable, be certain it is securely attached when in use.
- ▲ **Never** stand on seat, it is designed for sitting only.
- ▲ Some models include a footrest, which is designed as a footrest only. **Never** stand on footrest! **Always** be fully aware of foot placement.

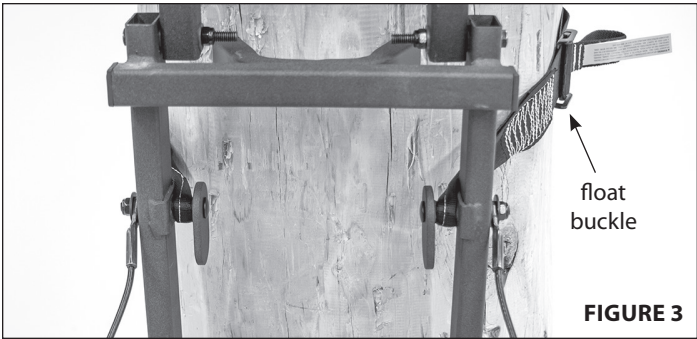
SETUP AND USE INSTRUCTIONS

During installation and removal of a hang-on treestand, you must always and properly use the included Full Body Harness (Fall Arrest System) with climbing belt. Refer to the Full Body Harness and climbing belt instructions included with this product for proper use. You must always use the Full Body Harness while using this product.

CRITICAL STRAP ATTACHMENT INSTRUCTIONS

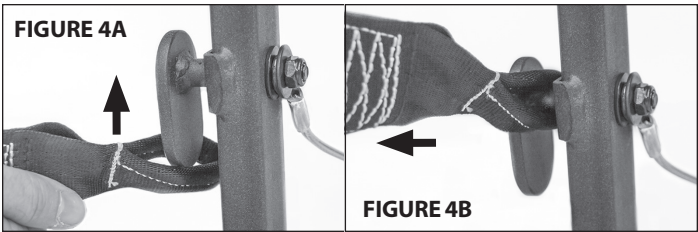
Improper strap attachment to the treestand and/or improper treestand attachment to the tree may lead to serious injury or death due to sudden release of an incorrectly attached strap/treestand!

1. The Big Foot strap (6) can be attached so that the sewn loop side with the float buckle can be put on either side of the treestand depending on your left or right hand installation preference. Make sure to always orientate climbing aid to the float buckle side of the strap. Start by attaching the sewn loop of the long side strap to either the left or right side of treestand by sliding sewn loop completely over the oval mount. **SEE FIGURES 3 & 4A-4B.**
2. The sewn loop on float buckle side secures to the opposite side of treestand in the same way as described in step 1 by sliding sewn loop completely over the oval mount.
3. It is critical that you secure the sewn loops of Big Foot strap to the oval mounts properly and securely, your life depends on it! **DO NOT** attach the sewn loops of the strap as shown in **FIGURES 5A-5B** or any other incorrect fashion or you may be seriously injured or killed due to sudden release of an incorrectly attached strap/treestand to the tree!



! WARNING

- ▲ **Never** use a treestand on a dead, leaning, diseased or loose barked tree, or a utility pole. **Always** avoid electrical power lines.
- ▲ It is critical to familiarize yourself with how the strap attaches to the stand. Practice attaching the stand to the tree several times at ground level before ascending up the tree.
- ▲ **All** users are responsible for ensuring strap is attached to treestand properly and securely. Failure to do so may result in serious injury or death. Read and understand all instructions for proper installation procedure and product warnings before use.



<p>FIGURE 5A <i>Sewn loop around bottom of oval mount</i></p>	<p>FIGURE 5B <i>Sewn loop around top of oval mount</i></p>	<p>FIGURE 5C <i>Sewn loop secured properly to oval mount</i></p>
<p>WRONG</p>	<p>WRONG</p>	<p>CORRECT</p>

WARNING

▲ Platform must be folded up to remove stand! This allows slack in strap for removal.

TREE ATTACHMENT INSTRUCTIONS

1. At desired height, attach by following instructions - a,b,c,d,e,f.

NOTE: Stand should be attached to tree with platform folded in an upright position!

a. Lengthen strap by pulling float buckle away from strap - this will allow strap to slide around float buckle roller bar.

b. With the sewn loop of the long side strap attached correctly, take sewn loop on float buckle end and wrap around tree. Be sure the strap is even and at the same level all the way around the tree. Also, be sure there are no twists in the strap. Connect sewn loop to opposite side of stand by correctly looping over opposite oval mount. Be absolutely sure both sewn loops are securely attached and can not come off. **SEE CRITICAL STRAP ATTACHMENT INSTRUCTIONS.**

c. Pull on excess end of strap firmly - snugging up stand to tree. **SEE FIGURE 6.**

NOTE: Platform must be folded up while doing this.

d. While platform is still folded up, push treestand in a downward direction to further tighten strap. **SEE FIGURE 7.**

e. Once securely attached, pivot the platform down. This lever-action will snug stand up tight to tree to prevent any shifting. Redo as necessary to accomplish a snug stand-to-tree fit. All four contact bars must be touching tree! **SEE FIGURE 8.**

f. The tension on strap will not allow any slippage due to roller bar tension of buckle. Proper installation should be checked prior to stepping onto platform to ensure safety.

2. Before stepping down onto center of stand platform, be sure it is secured properly and is tight against tree with all four contact bars touching tree!

3. Carefully step onto stand platform to be sure you have a solid feel against tree and platform is level. Seat folds down for sitting and tips back for standing.

4. To remove stand, fold platform back up and pull on buckle hand strap to release tension on roller bar.

THREADING THE FLOAT BUCKLE

Always check the condition of your Big Foot strap before use. If strap becomes twisted or if you need to replace a worn or damaged strap, make sure to follow these instruction to ensure proper assembly.

1. Hold float buckle so warning tag faces upward. **SEE FIGURE 9.**
2. Feed end tail of strap up through the bottom of the float buckle on the sewn loop side of the roller bar. **SEE FIGURE 10.**
NOTE: Smooth side of end tail must face sewn loop.
3. Feed end tail over roller bar and down through float buckle. **SEE FIGURE 11.**
4. Pull end tail away from float buckle. **SEE FIGURE 11.**

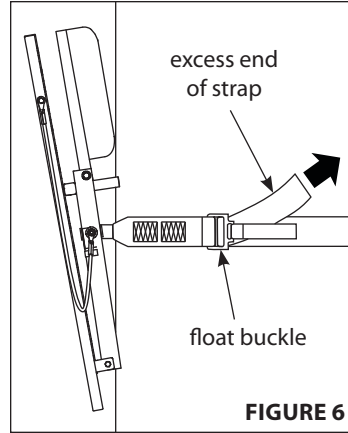


FIGURE 6

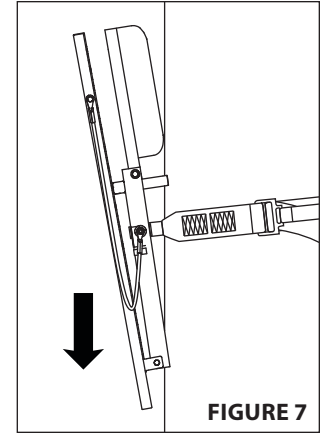


FIGURE 7

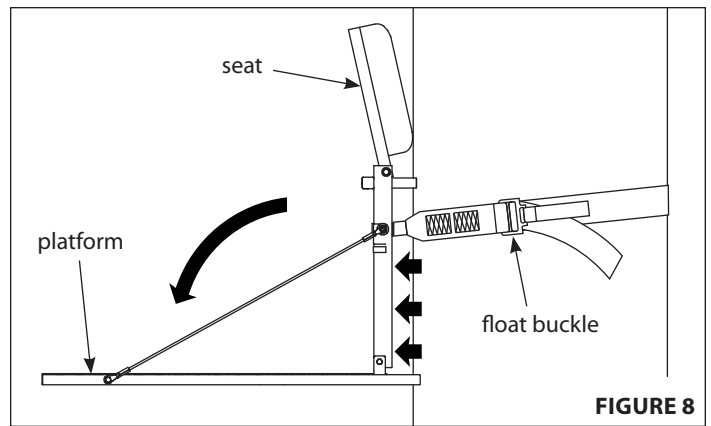


FIGURE 8

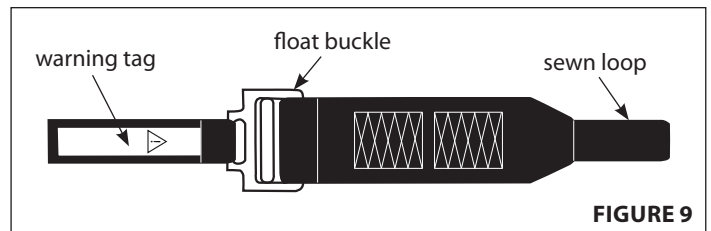


FIGURE 9

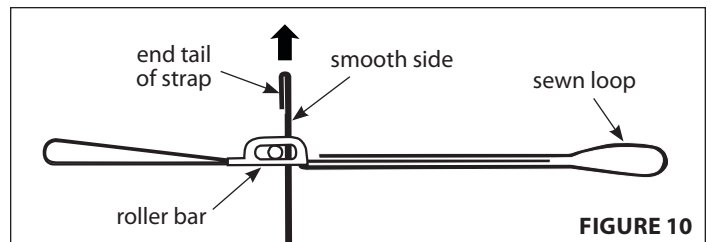


FIGURE 10

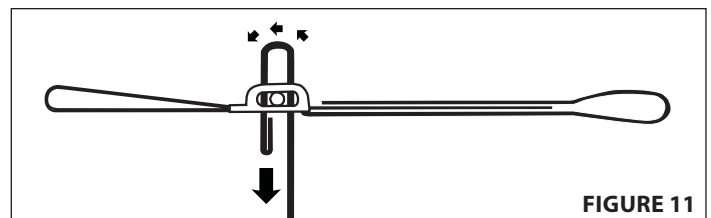
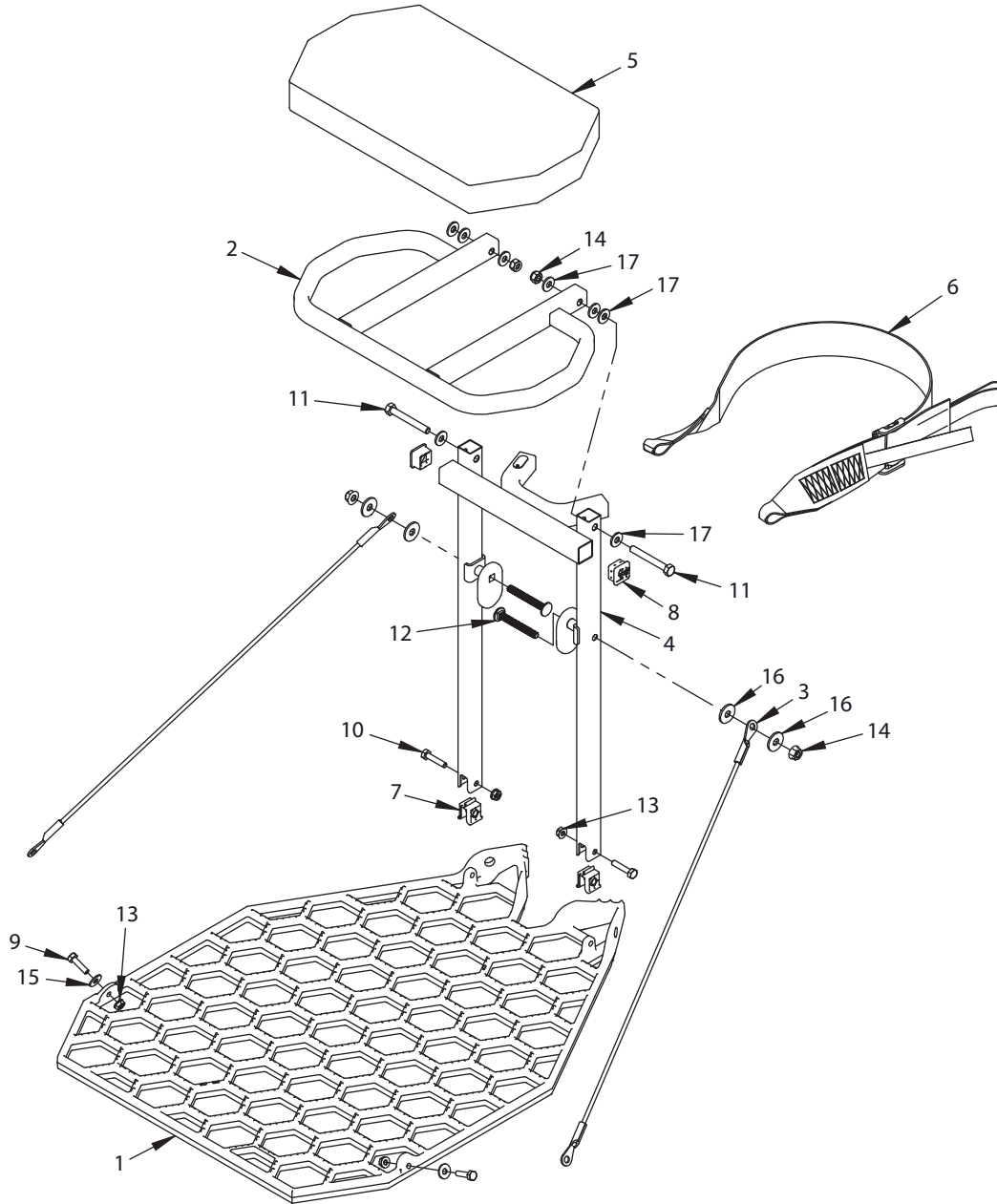


FIGURE 11

ILLUSTRATED PARTS BREAKDOWN



PARTS LIST

ITEM #	PART #	DESCRIPTION	QTY.
1	26006	FOOT PLATFORM CAST ALUMINUM	1
2	25727	SEAT FRAME	1
3	25852	VINYL CABLE	2
4	25729	SEAT UPRIGHT	1
5	25726	SEAT PAD	1
6	18063	STRAP	1
7	25732	SPACER SEAT POST TO PLATFORM	2
8	18551	PLUG PLASTIC 1 IN	2
9	63282	BOLT 1/4-20 X 1 IN	2
10	8909B	BOLT 1/4-20 X 1-1/4 IN	2
11	53730B	BOLT 5/16-18 X 2-1/2 IN	2
12	27969	BOLT 5/16-18 X 2-3/4 IN	2
13	48752B	NUT 1/4-20	4
14	60G5NYB	NUT 5/16-18	4
15	48261B	WASHER 1/4 IN	2
16	WF516B	WASHER 5/16 X 7/8 X 5/64 IN	4
17	23523	YELLOW WASHER 8.1 X 19 X 2 MM	8
ITEMS BELOW NOT SHOWN			
--	40697	FULL BODY HARNESS (FAS)	1
--	15599	CLIMBING BELT	1

Big Foot[™]

LEVER-ACTION HANG-ONS

WE ARE HUNTERS

Rivers Edge® Treestands, Inc.

1730 Industrial Avenue, PO Box 755
Cumberland, WI 54829

Phone: 800-345-6007

Fax: 715-822-2124

Email: info@huntriversedge.com

*All weights, specifications and features are approximate and are subject to change without notice. Due to continuous product improvements, product images may not be exact. Warning labels in some product images may have been removed for photography purposes only. Props shown in photos not included. Some assembly may be required.
