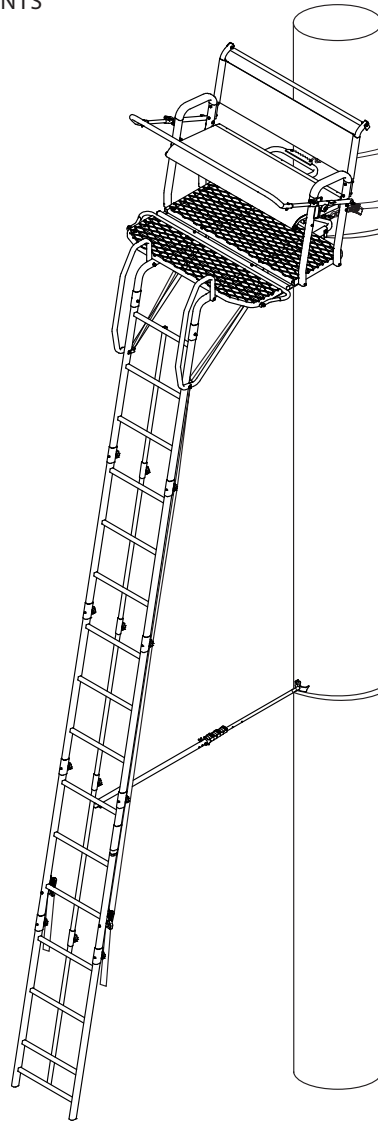




PAT. WWW.ARDISAM.COM/PATENTS



Operator's Manual

LOCKDOWN 21-FT 2-MAN Ladder Stand

MODEL LD202

Maximum Height
20' 6" to shooting rail

Maximum Field Rating
500 lbs

Tree Diameter Range
12" to 30"

**Wear Your
Harness!**



ATTENTION

**YOU MUST READ ALL WRITTEN INSTRUCTIONS
AND WATCH THIS SAFETY VIDEO BEFORE USING!**



WATCH THIS SAFETY VIDEO BEFORE USING!

Scan →



or Visit →

www.standsafety.com/r3

Scan the QR code with your smart phone, tablet or similar device.

OR

Type the website address into your web browser to view an important safety video before using this product.

LADDER STAND SAFETY

PRODUCT MEETS
INDUSTRY STANDARDS
RECOGNIZED BY



PARTICIPATING MEMBER

Get parts online at
www.HuntRiversEdge.com

© 2020 RETI
All Rights Reserved

P/N: 35707
C/N: 35706
REV6: 12/21/2020

INTRODUCTION

Rivers Edge® Treestands are engineered with you the hunter in mind. We appreciate your purchase of one of our world class treestands. Follow these few simple instructions and your stand will provide you many years of trouble-free pleasure. Instructions should be kept in a safe place and reviewed at least annually.

If for any reason you have a problem with your product or are missing any parts, **DO NOT return to the retailer**, contact Rivers Edge® Customer Service Department at 800-345-6007 for assistance.

CONTENTS

Introduction/Warranty	2
Warnings.....	3-4
Inspection and Maintenance	4
Hardware Identification Chart.....	5-7
Assembly Instructions	8-16
Warnings.....	17
Setup and Use Instructions.....	18-23
The Ultimate Shooting Rail Use Instructions.....	24
Finished Ladder.....	25
Illustrated Parts Breakdown.....	26-27

WARRANTY

RETI offers a **one-year warranty** for all components of the treestand. These warranties apply to the original owner with a proof of purchase. These warranties begin on the date of purchase by the first retail consumer and continue for the period specified above. These warranties apply to products that are not modified, abused or used in a manner that deviates from the product's intended usage. Minor fading in color is normal and is not covered by warranty. Any corrosion of painted surfaces that occurs as a result of paint being removed or damaged is also not covered by warranty. RETI offers no other warranty expressed or implied. Products for which warranty work has been approved must be sent directly to RETI and performed by RETI. **To obtain warranty service and/or replacement instructions, you must obtain prior approval from RETI before shipping your package to us by calling our customer service department at 800-345-6007 or by writing to: Ardisam, Inc., P.O. Box 755, 1160 Eighth Avenue, Cumberland, WI 54829 for a return material authorization number (RMA#).** All items must be shipped prepaid. RETI will, at no charge, repair or replace, in RETI's sole discretion, any product that satisfies the conditions stated above. RETI retains the right to change models, specifications and price without notice.

This equipment has been manufactured under strict quality and safety guidelines. As with any equipment of this type, full understanding of the instructions and its use is mandatory and imperative for the safety of its user. RETI is not responsible for any damages or injuries sustained due to improper use or modification of any of its products, or resulting from any use which deviates from the product's intended usage. RETI is not responsible for any injuries sustained due to failure to read and adhere to the instructions for use. Any misunderstanding or questions regarding the products of their use should be directed to RETI prior to any use. **All RETI treestands are sold with a full body harness ("Fall Arrest System") that meets standards recognized by the Treestand Manufacturer's Association ("TMA").** It is the owner's sole responsibility to inspect the product regularly for damage, improper installation, or conditions that could jeopardize the ultimate safety of the product. Failure to use or improper use of the provided Fall Arrest System may result in serious injury or death. **ALWAYS wear the provided Fall Arrest System while using this product. Owner is responsible to understand and follow product field weight rating and must never exceed maximum weight rating.** RETI is not responsible for any malfunction or injury resulting from normal wear and tear, damage caused by improper use, improper maintenance, negligence or accidents. This product, if used safely as intended, will provide trouble free service for the useful life of the product. We hope you will enjoy the quality of our products for years to come, and have a safe hunt.

STOP

READ AND UNDERSTAND THE FOLLOWING WARNINGS BEFORE ASSEMBLY

MODEL LD202

MAXIMUM USE HEIGHT - 20' 6" TO SHOOTING RAIL

MAXIMUM OCCUPANCY - TWO (2)

TOTAL WEIGHT LIMIT - 500 LB

TREE DIAMETER RANGE - 12" TO 30"

 **WARNING**

- ▲ This product carries strict height and weight restrictions. **Do Not** use this product if you exceed the total weight limit. Please note that the total weight limit includes the user(s) and their equipment.

 **WARNING**

- ▲ **When hunting from a treestand falls can occur any time after leaving the ground causing injury or death.**
- ▲ **Always** wear a Fall Arrest System (FAS) comprising a full body harness at all times after leaving the ground. You must stay connected at all times after leaving the ground while using climbing and hang-on treestands. Single safety belts and chest harnesses are no longer allowed and shall never be used. If you are not wearing a full body harness properly attached to the tree that is protecting you from a fall, do not leave the ground.
- ▲ **Read and understand** all of the manufacturer's Warnings and Instructions and use all safety devices provided by the manufacturer. Contact the manufacturer for any questions. Failure to do so could result in injury or death.
- ▲ **Never** exceed the total weight limit of the treestand.
- ▲ **Never** use a treestand during inclement weather such as rain, lightning, windstorms or icy conditions and end your hunt and return to the ground if inclement conditions arise.
- ▲ **Never** use a treestand while using drugs (even prescription drugs) or alcohol.
- ▲ **Never** use a treestand while feeling ill, nauseous or dizzy, or if you have a prior medical condition that could cause a problem, that is, heart condition, joints that lock-up, spinal fusions, etc., or if you are not well rested. **Never** sleep in stand.
- ▲ **Never** use a treestand on a dead, leaning, diseased or loose barked tree, or a utility pole. **Always** avoid electrical power lines.
- ▲ **Never** rely on a tree branch for support.

 **WARNING**

- ▲ **Never** jump or bounce on a treestand to seat it to the tree.
- ▲ Pull up a bow, backpack, or firearm or other equipment only after being secure in the treestand and a firearm must be pulled up with it unloaded, chamber open, and muzzle down.
- ▲ **Always** inform someone of the hunting location, where the treestand will be located and the expected duration of the hunt.
- ▲ A signal device such as a mobile phone, radio, whistle, signal flare or personal locator device (PLD) must be on your person and readily available at all times.
- ▲ Inspect the treestand and all safety devices each time before use and **Do Not** store a treestand outdoors when not in use.
- ▲ **Never** modify your treestand in any way by making repairs, replacing parts, or altering it except if explicitly authorized in writing by the manufacturer.
- ▲ Practice installing, adjusting and using your treestand at ground level prior to using it at elevated positions. Study your new stand to become familiar with all of its features and design. Doing so will confirm that the product is manufactured, assembled and installed correctly.
- ▲ Instructions (written and video) shall be kept in a safe place and reviewed at least annually. It is the responsibility of the treestand owner to furnish the complete instructions to any person who borrows or purchases the treestand.
- ▲ Use at least three (3) people to install or take down a ladder treestand.
- ▲ The criss-cross straps/ropes and stabilization devices must be attached before climbing to the platform.
- ▲ When installing a ladder stand, always bounce on the first rung to set the ladder into the ground according to manufacturer's instructions before proceeding to climb any higher.
- ▲ Check every ladder section connection every time you use the stand before you leave the ground. If ladder sections are separating, do not use the stand.
- ▲ Check the ground under the stand to make sure it is firm and level. Sloping ground or uneven surface (one side on a rock) can cause your ladder to tilt or shift off the tree as you climb.
- ▲ **Always** maintain three (3) points of contact when climbing a ladder treestand. Proper three-point contact means having either two feet with one hand or one foot with two hands on the step portion of the ladder or climbing aid at all times.

 **WARNING**

- ▲ **Always** lean forward as you climb and attach your harness to the tree before securing the platform to the tree and stepping onto the platform.
- ▲ **Never** exceed the stated maximum use height.
- ▲ **Do Not** use this product until you have watched the online safety video, understand it, and practiced the techniques for safe hunting discussed in this video. Video can be found with the QR code and/or URL shown on front cover of this manual.
- ▲ Read and perform all inspection and maintenance tasks before each and every use. Replace any questionable components immediately with RETI original replacement parts.
- ▲ **Do Not** crush tubing when tightening bolt assemblies! Identify and familiarize yourself with all parts before you start. Bolt identification chart can be found in the back.
- ▲ Double check assembly steps to be certain you have correctly assembled this product.
- ▲ **Never** use any product that has not been maintained or inspected properly - Your life depends on it!
- ▲ Replace any and all treestand straps every two years or when any signs of damage or wear exist before.
- ▲ **Always** wear the appropriate footwear when using a ladder treestand. A good non-slip safety boot is important to your personal safety. Be especially careful that boot laces do not get hooked on the stand or any of its components (tuck shoelaces into boots before climbing).

 **WARNING**

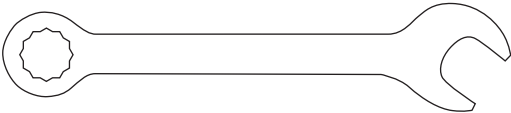

- ▲ **Only** use approved RETI parts. Failure to do so may result in serious injury or death!

INSPECTION AND MAINTENANCE

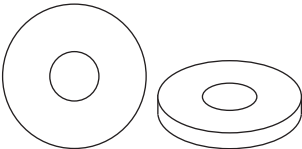
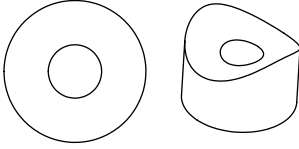
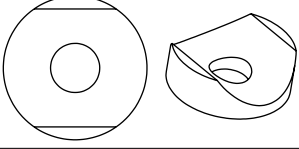
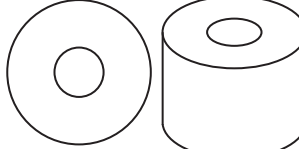
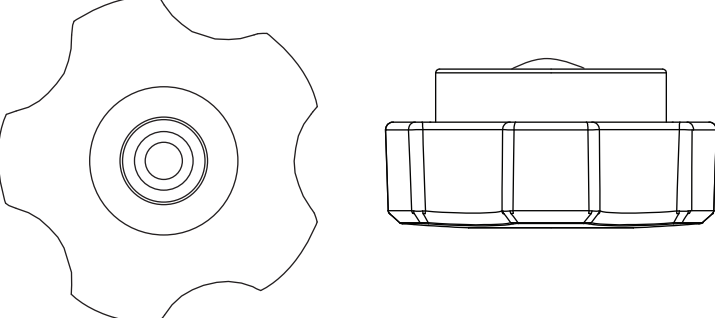
BEFORE EACH USE PERFORM THE FOLLOWING:

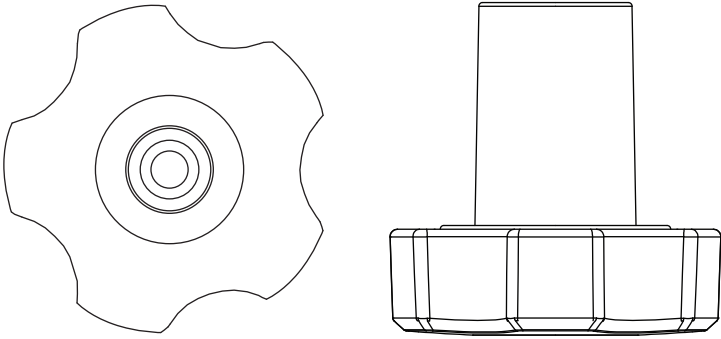
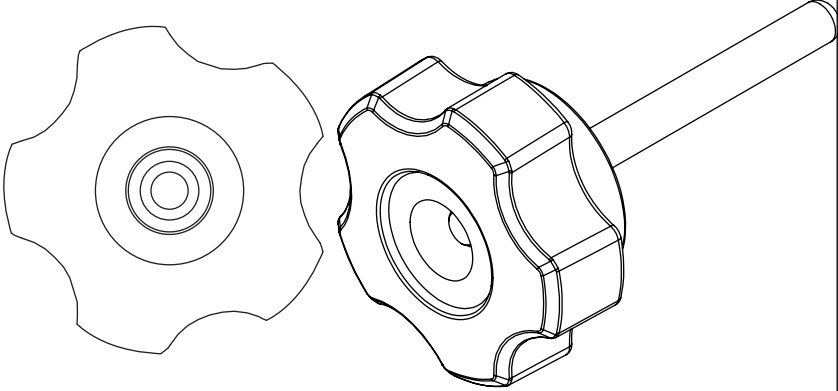
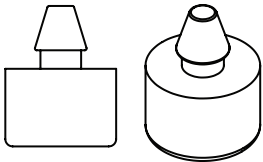
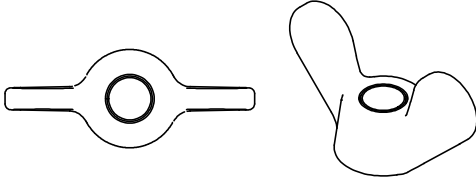
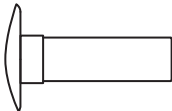
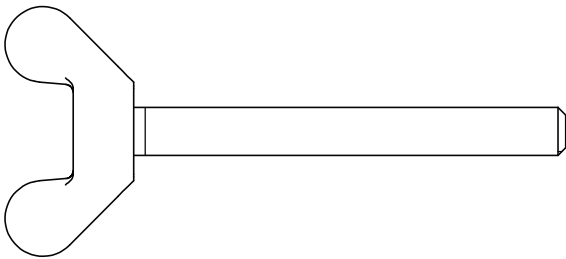
- Inspect all webbing, rope, cord, and strap assemblies for wear or damage.
- Inspect cables and/or cable ends for damage or kinking.
- Inspect all hardware and chain components for damage or wear.
- Inspect for any structural damage to product. (If any exists stop use immediately and call RETI Customer Service.)
- Inspect all nut and bolt assemblies to be certain none are loose.
- Inspect for any missing parts.
- Lubricate all pivot and slide together points with powder graphite, petroleum jelly or silicone spray to prevent noise, wear and rust.
- Inspect entire product for any rust, corrosion, cracks, freezing, excessive heat or rotting damage that may effect the safety of your product. Discard any questionable product.
- Inspect entire product for any structural damage - pay close attention to all weld locations. (Discard product if any damage is found.)
- Using correct wrenches inspect all nut & bolt assembly locations and snug up any that may be loose. Be careful not to crush tubing when tightening!
- Inspect and check operation of all cables, cable ends, cord, rope, webbing, and strap or chain assemblies. Replace with RETI original replacement parts any item or assembly that shows signs of wear, damage, kinking, or functions incorrectly.
- Inspect seat for damage or wear. Replace any seat with factory new that shows signs of structural damage or wear.
- Never modify your stand in any way by making repairs, replacing parts, or altering by adding or attaching anything to it except if explicitly authorized in writing by the manufacturer.

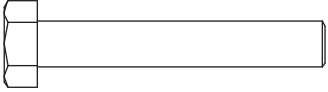
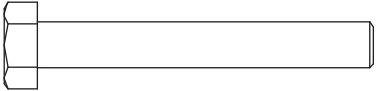

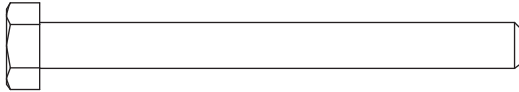
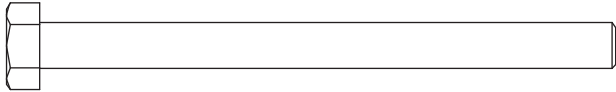
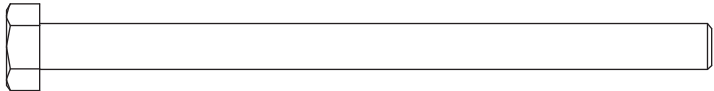
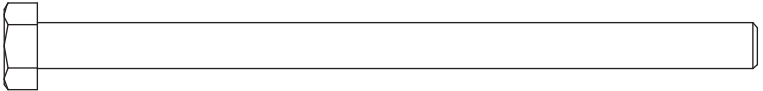
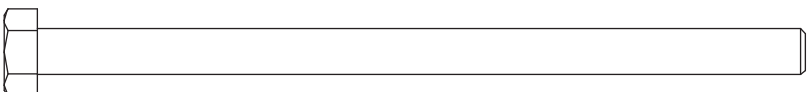
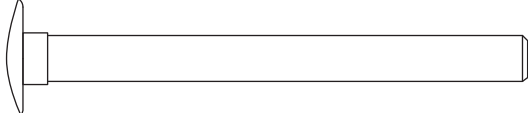
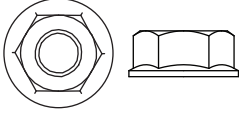
TOOLS REQUIRED

-	-	7/16" WRENCHES		2
-	#27477	4 MM ALLEN WRENCH (INCLUDED)		1

HARDWARE LIST

Item	Part No.	Description	Image	Qty
29	# 23572	YELLOW PLASTIC WASHER 2 MM		8
30	# 35130	YELLOW CURVED SPACER		4
31	# 35225	YELLOW CURVED WASHER		4
32	# 36703	YELLOW PLASTIC SPACER 12 MM		6
33	# 23603	KNOB SILENT LADDER		4

Item	Part No.	Description	Image	Qty
34	# 28839	KNOB M6 X 29 MM		2
35	# 36719	KNOB SILENT LADDER W/STUD		8
39	# 48679	RUBBER BUMPER STOP		2
40	# 48042B	WING NUT		2
41	# 26813	BOLT M6 X 20 MM		2
42	# 48057B	SCREW WING		2

Item	Part No.	Description	Image	Qty
43	# 48240B	BOLT 1/4 X 1-1/2 IN		10
44	# 48250B	BOLT 1/4 X 1-3/4 IN		4
45	# 48271B	BOLT 1/4 X 2-1/4 IN		2
46	# 48270B	BOLT 1/4 X 2-1/2 IN		14
47	# 48280B	BOLT 1/4 X 3 IN		14
48	# 36704	BOLT 1/4 X 3-1/2 IN		4
49	# 29676	BOLT 1/4 X 3-3/4 IN		2
50	# 36705	BOLT 1/4 X 4 IN		2
51	# 35721	BOLT 1/4 X 2-1/2 IN		3
52	# 48752B	NUT 1/4 IN		55

ASSEMBLY INSTRUCTIONS

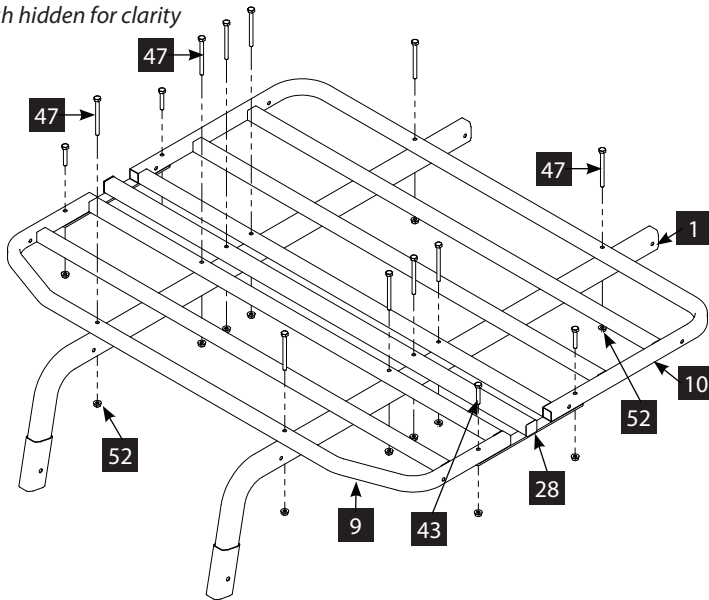
IMPORTANT ASSEMBLY TIP:

Do not tighten any nut and bolt combinations completely until all parts are assembled together! Finger tighten plus one turn of a wrench only! This will temporarily hold the lock-nut on the bolt while helping alignment of all parts! After all parts are assembled together, all nut and bolt combinations must be completely tightened.

All assembly must be done in this order at ground level before uprighting.
Do not remove labels/warnings from product, they are there for your safety.
Recommended for adult use only.

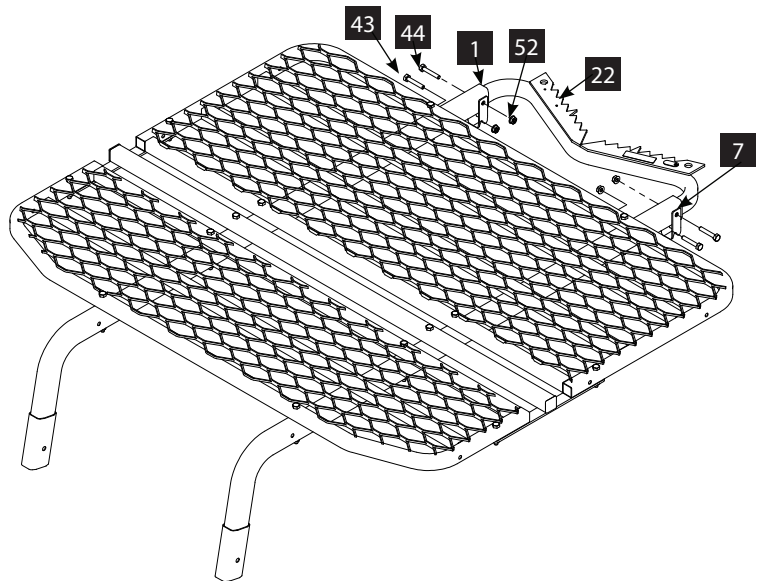
STEP 1

mesh hidden for clarity



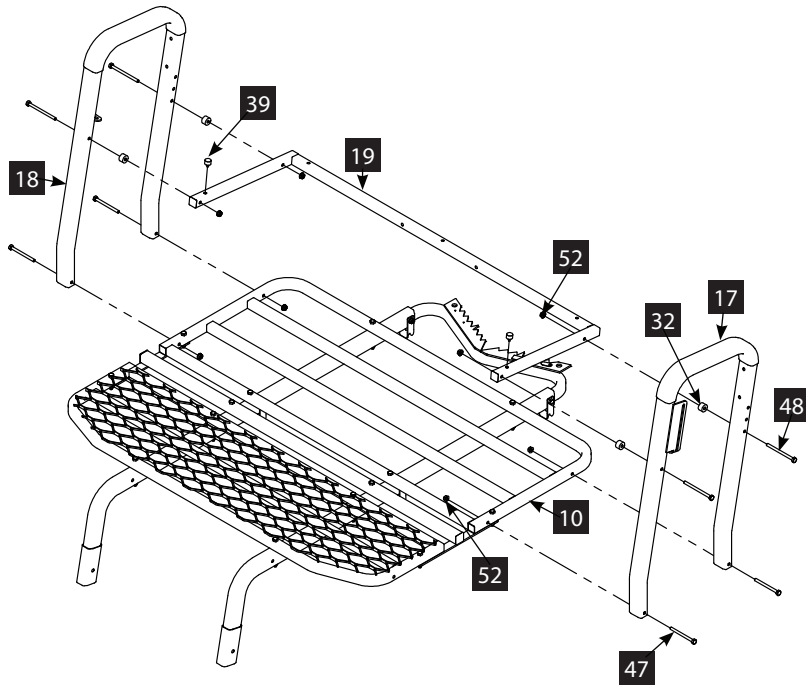
1. Attach front, middle, and rear platform sections (9, 28 and 10) to J-tubes (1) using ten 1/4-20 x 3 IN bolts (47), four 1/4-20 x 1-1/2 IN bolts (43) and nuts (52).

2. Insert bottom tree blade (22) into ends of J-tubes (1). Slide a strap guide (7) onto each J-tube (1) and align with rear hole on each side. Secure parts together using two 1/4-20 x 1-1/2 IN bolts (43), two 1/4-20 x 1-3/4 IN bolts (44) and nuts (52).



STEP 2

STEP 3

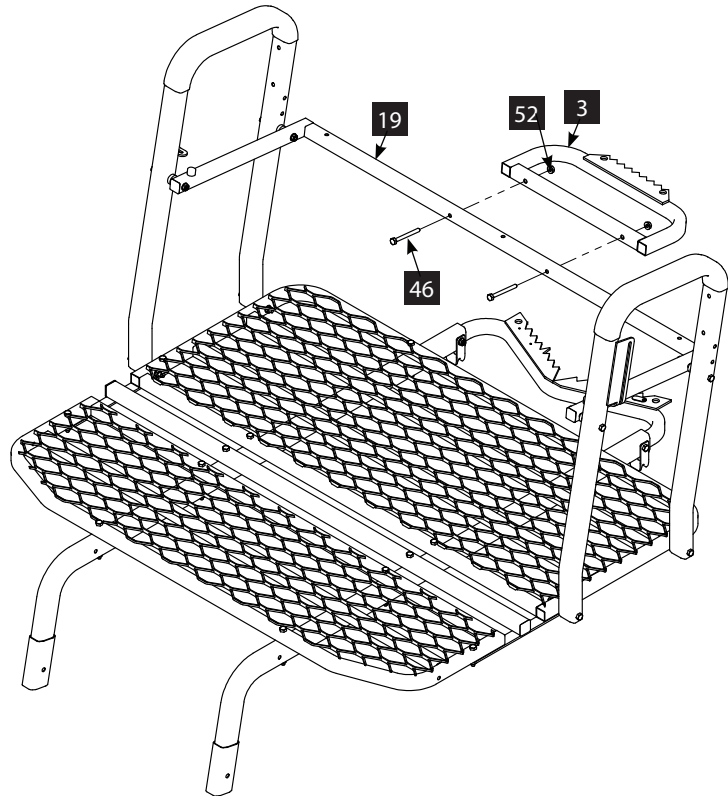


3. Attach left and right armrests (17 and 18) to rear platform section (10) using four 1/4-20 x 3 IN bolts (47) and nuts (52).

Attach seat support (19) to left and right armrests (17 and 18) using four 1/4-20 x 3-1/2 IN bolts (48), 12mm thick yellow spacers (32) and nuts (52). The spacers must be placed between the seat support and armrests. Be sure to position the seat support with the holes for the rubber seat bumpers (39) facing up.

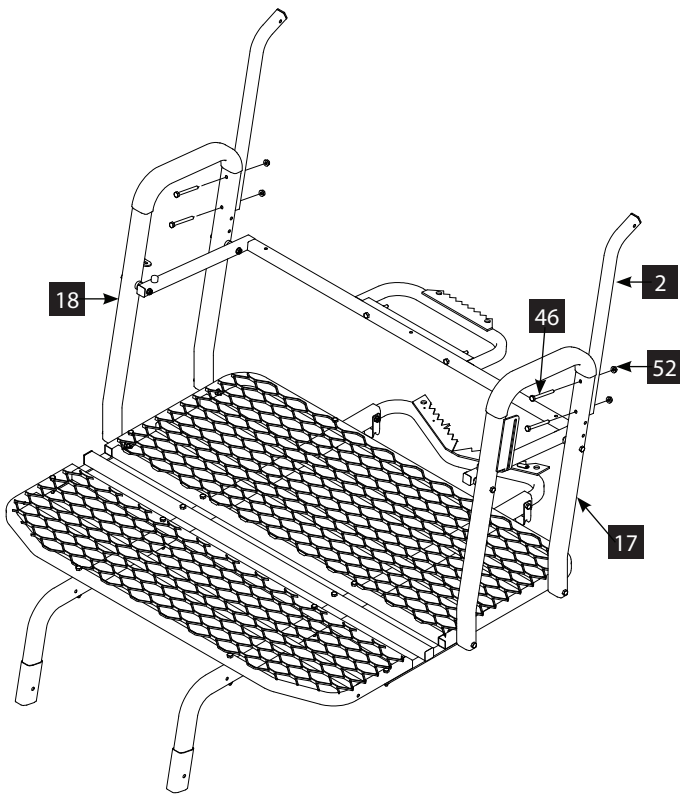
Insert the rubber seat bumpers (39) into the holes in the seat support (19).

4. Attach the top tree blade (3) to the seat support (19) using two 1/4-20 x 2-1/2 IN bolts (46) and nuts (52).



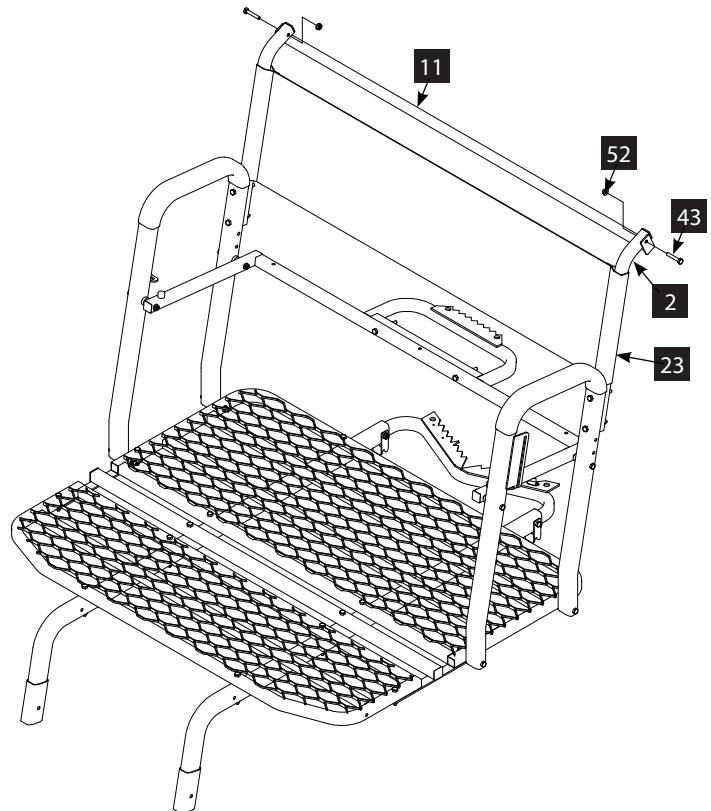
STEP 4

STEP 5



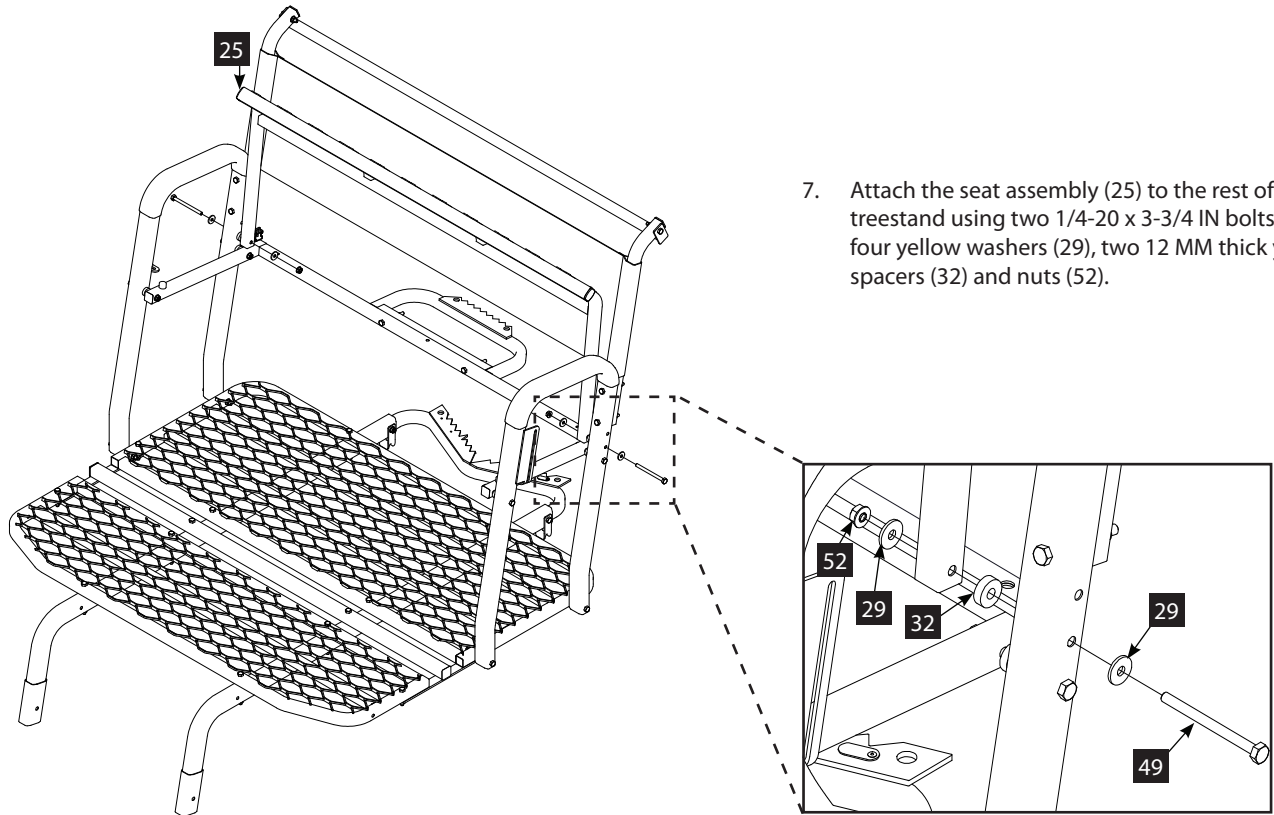
5. Attach the backrest tubes (2) to the left and right armrests (17 and 18) using four 1/4-20 x 2-1/2 IN bolts (46) and nuts (52).

6. Slide the backrest (23) onto the backrest tubes (2). Attach the backrest spreader (11) to the top of the backrest tubes (2) using two 1/4-20 x 1-1/2 IN bolts (43) and nuts (52).



STEP 6

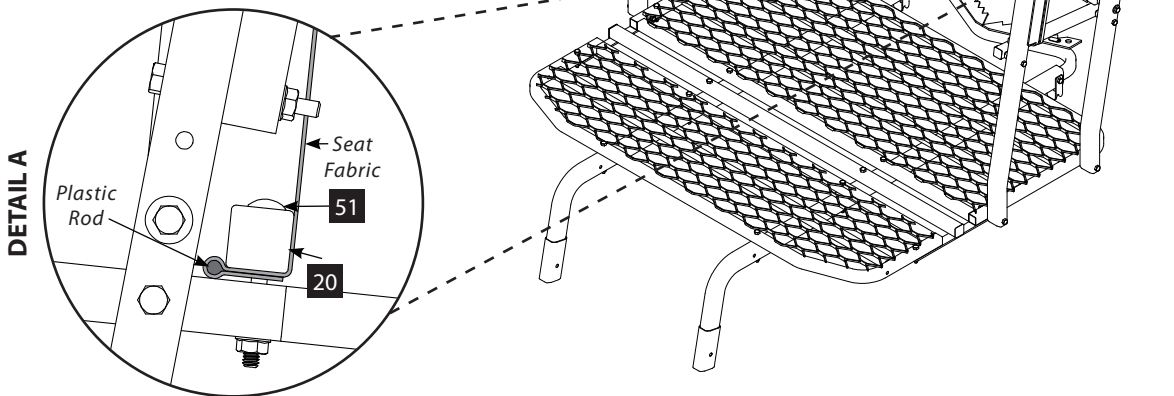
STEP 7



- Attach the seat assembly (25) to the rest of the treestand using two 1/4-20 x 3-3/4 IN bolts (49), four yellow washers (29), two 12 MM thick yellow spacers (32) and nuts (52).

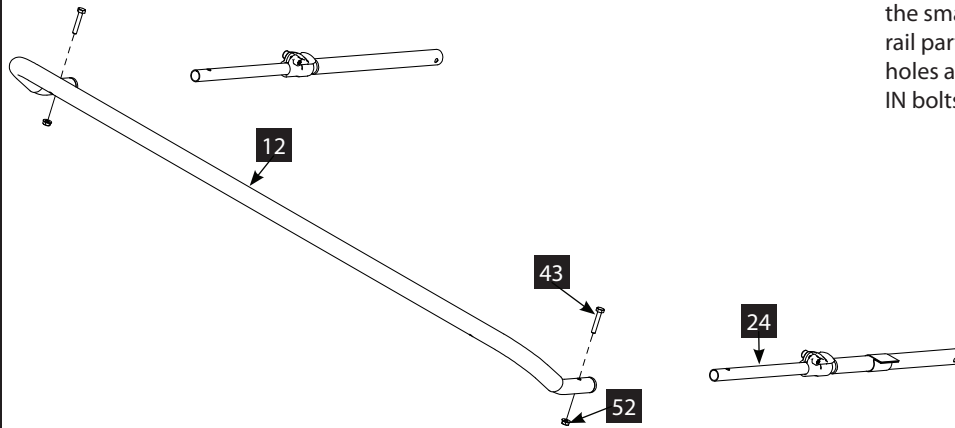
- Attach the rear fabric of the seat assembly (25) to the seat support (19) using the rear seat support (20), three 1/4-20 x 2-1/2 IN carriage bolts (51) and nuts (52). Pay close attention to **DETAIL A** for proper assembly. The seat fabric will be sandwiched between the seat support (19) and rear seat support (20). Once the bolts are tightened, the plastic rod within the fabric sleeve will secure the fabric in place.

NOTE: Pay close attention not to pinch the plastic rod between the seat support (19) and rear seat support (20) while tightening the bolts.



STEP 8

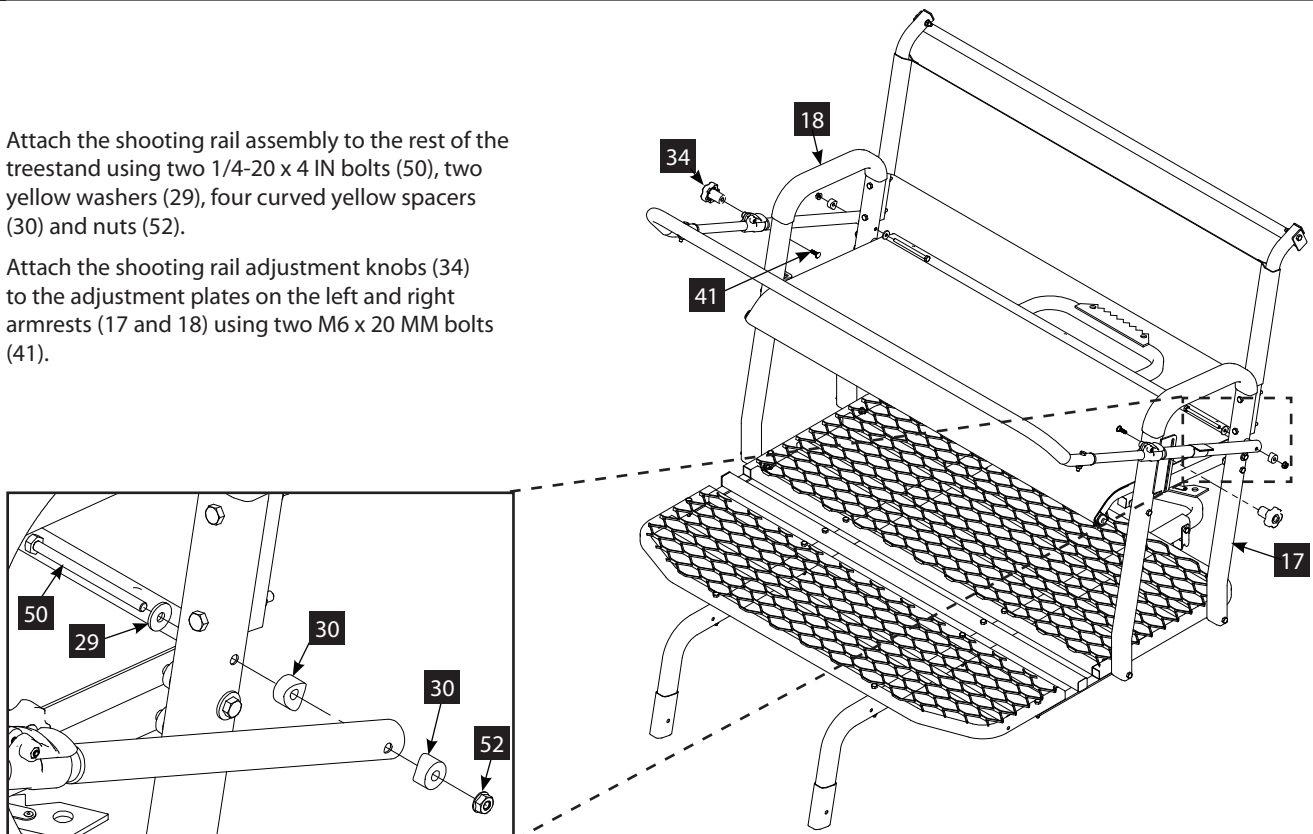
STEP 9



- Assemble the shooting rail (12 and 24) by inserting the small diameter tube of adjustable shooting rail parts (24) into the shooting rail (12). Align the holes and secure together using two 1/4-20 x 1-1/2 IN bolts (43) and nuts (52).

- Attach the shooting rail assembly to the rest of the treestand using two 1/4-20 x 4 IN bolts (50), two yellow washers (29), four curved yellow spacers (30) and nuts (52).

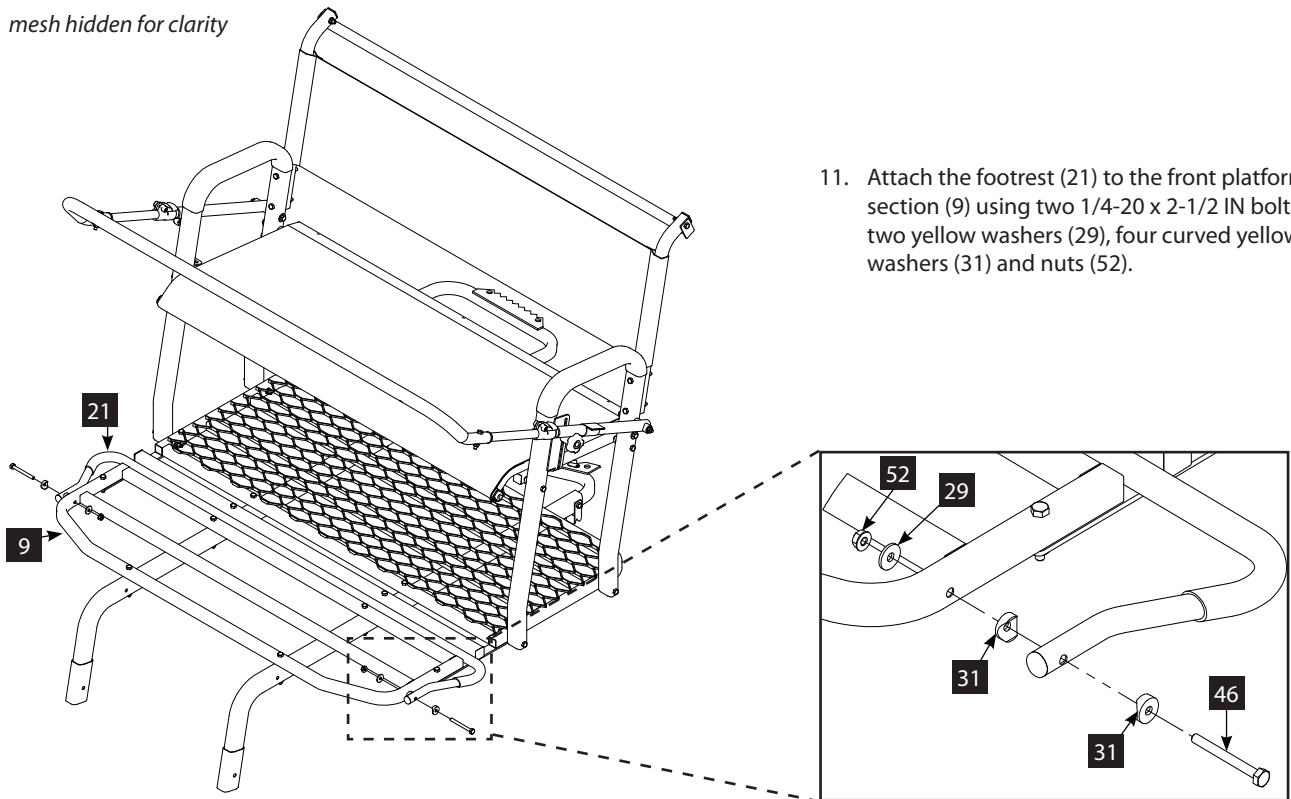
Attach the shooting rail adjustment knobs (34) to the adjustment plates on the left and right armrests (17 and 18) using two M6 x 20 MM bolts (41).



STEP 10

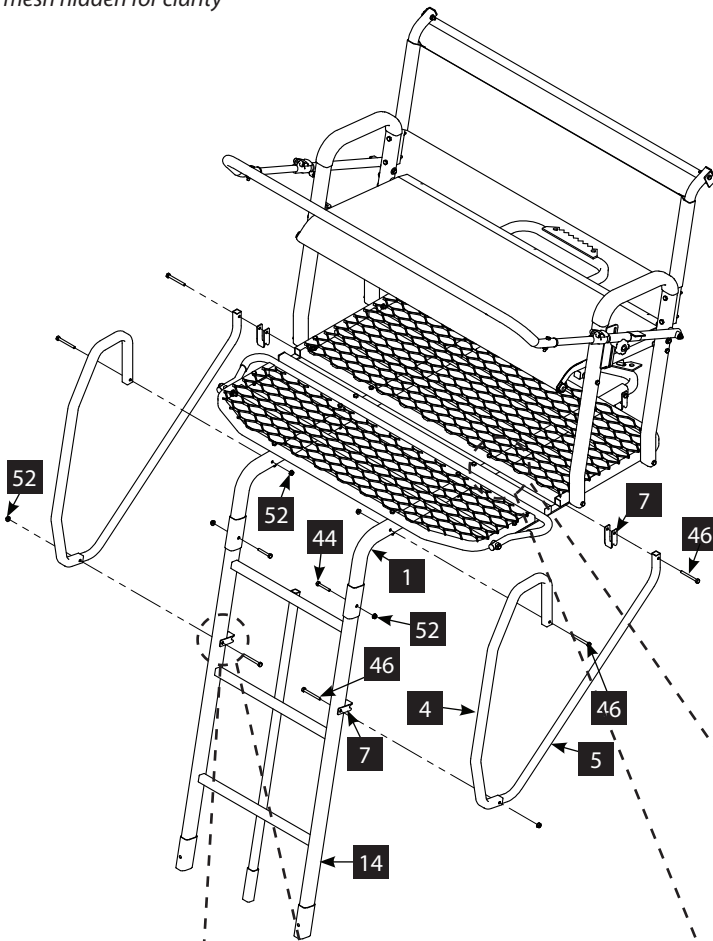
STEP 11

mesh hidden for clarity



11. Attach the footrest (21) to the front platform section (9) using two 1/4-20 x 2-1/2 IN bolts (46), two yellow washers (29), four curved yellow washers (31) and nuts (52).

mesh hidden for clarity

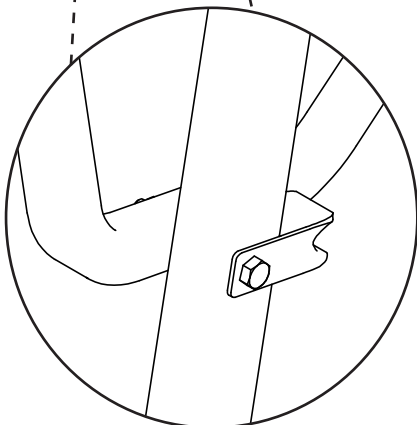


12. Slide the top ladder section (14) into the pockets on the J-tubes (1) and secure using two 1/4-20 x 1-3/4 IN bolts (44) and nuts (52).

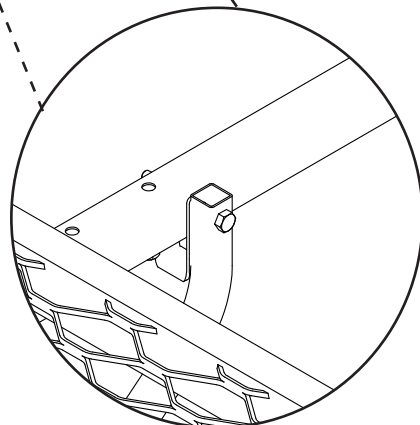
Pre-assemble the platform braces (5) with the ladder hand rails (4) by inserting one end of each platform brace (5) into the lower end of each ladder hand rail (4) and aligning the holes.

Then, attach the pre-assembled platform braces (5) and ladder hand rails (4) and four strap guides (7) to the rest of the treestand using six 1/4-20 x 2-1/2 IN bolts (46) and nuts (52). Pay close attention to **DETAIL A** and **DETAIL B** for proper positioning of strap guides (7).

DETAIL A

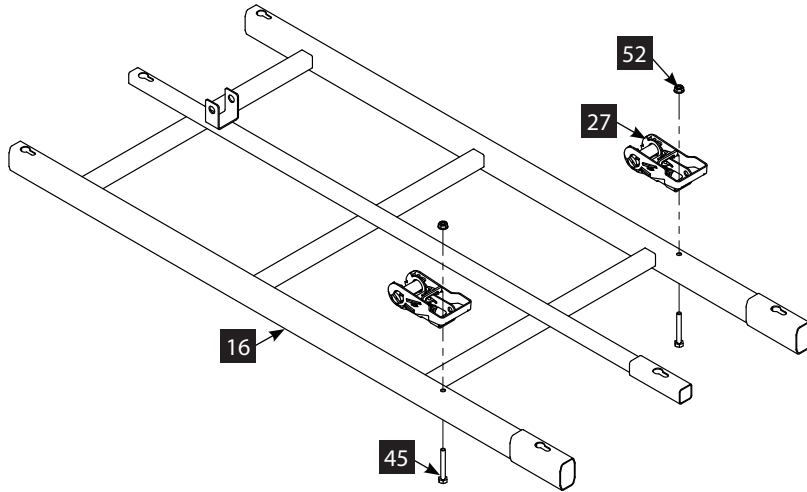


DETAIL B



STEP 12

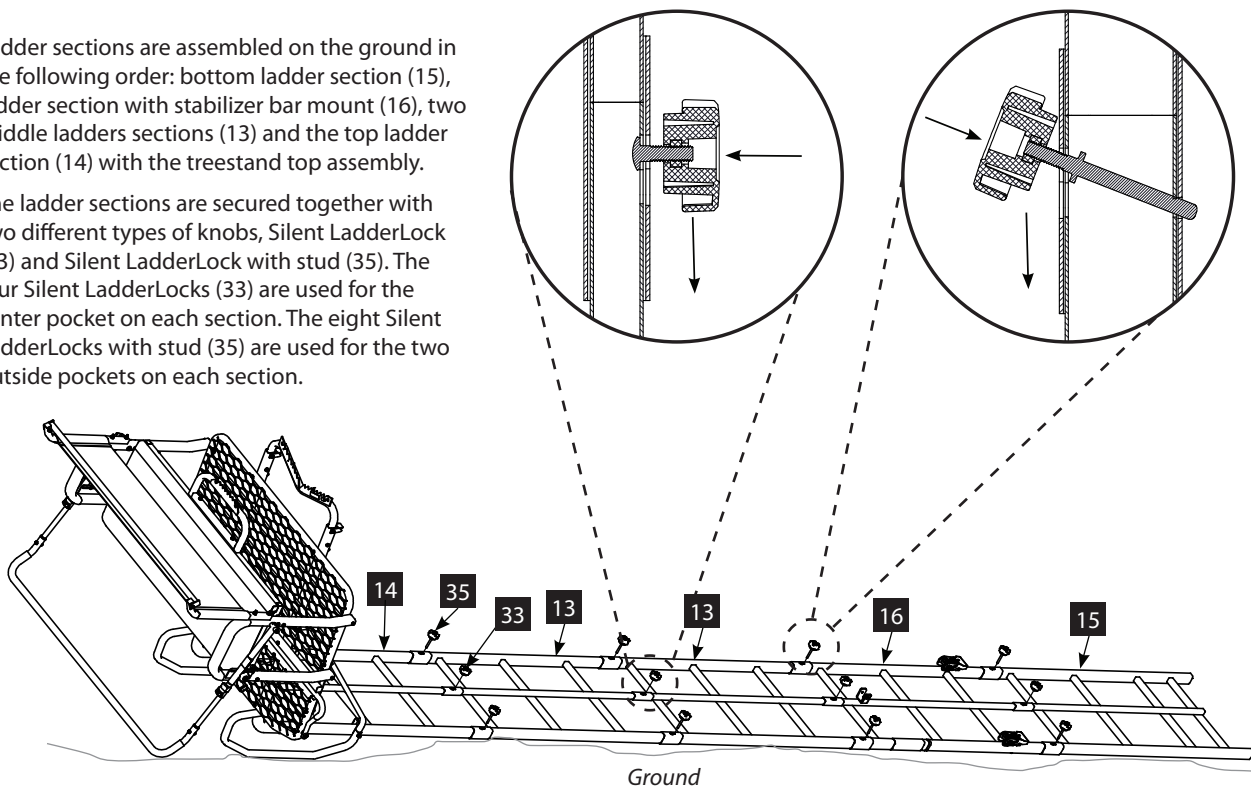
STEP 13



13. Attach the ladder ratchets (27) to the ladder section with the stabilizer bar mount (16) using two 1/4-20 x 2-1/4 IN bolts (45) and nuts (52). Set aside for now.

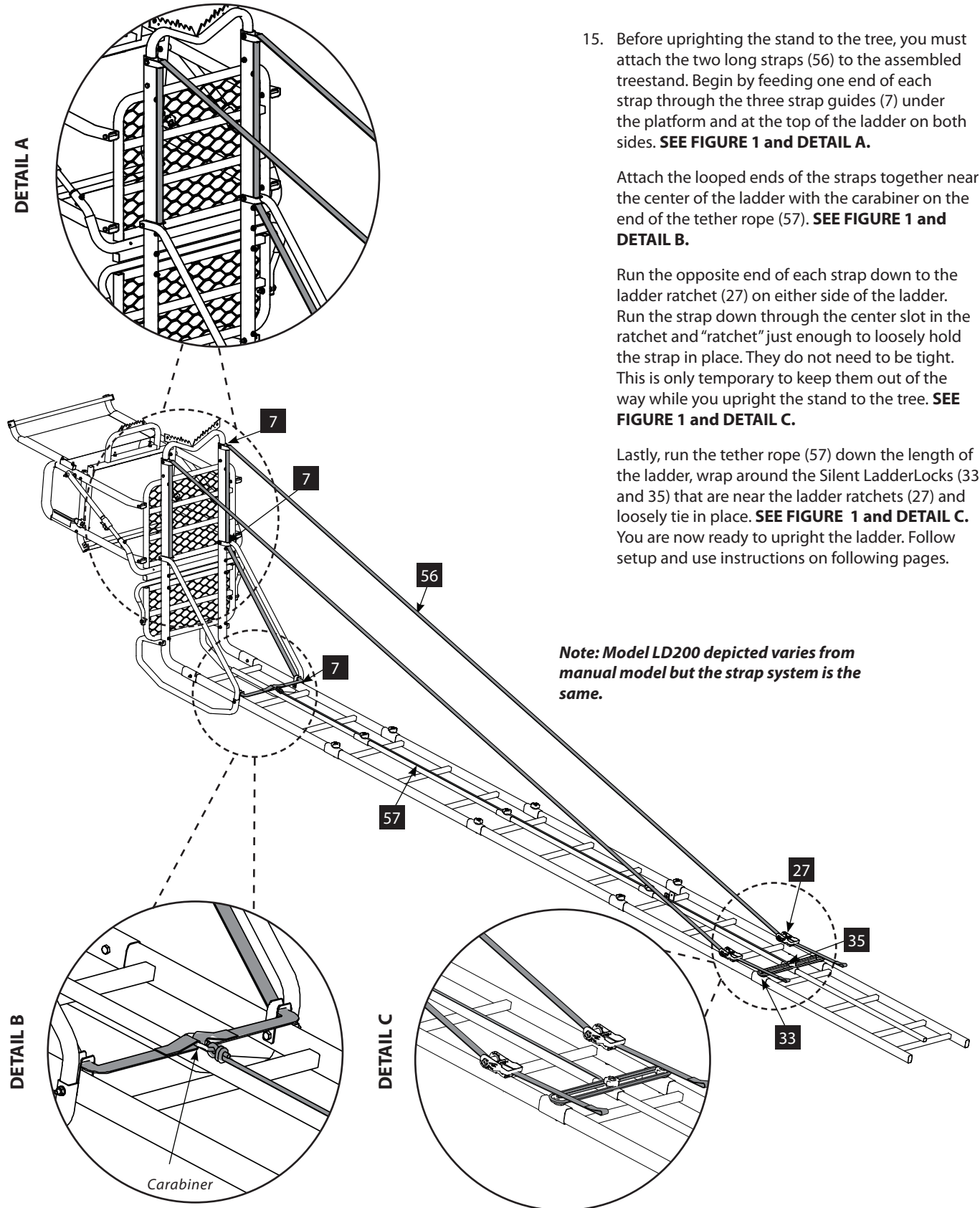
14. Ladder sections are assembled on the ground in the following order: bottom ladder section (15), ladder section with stabilizer bar mount (16), two middle ladders sections (13) and the top ladder section (14) with the treestand top assembly.

The ladder sections are secured together with two different types of knobs, Silent LadderLock (33) and Silent LadderLock with stud (35). The four Silent LadderLocks (33) are used for the center pocket on each section. The eight Silent LadderLocks with stud (35) are used for the two outside pockets on each section.



STEP 14

FIGURE 1



15. Before uprighting the stand to the tree, you must attach the two long straps (56) to the assembled treestand. Begin by feeding one end of each strap through the three strap guides (7) under the platform and at the top of the ladder on both sides. **SEE FIGURE 1 and DETAIL A.**

Attach the looped ends of the straps together near the center of the ladder with the carabiner on the end of the tether rope (57). **SEE FIGURE 1 and DETAIL B.**

Run the opposite end of each strap down to the ladder ratchet (27) on either side of the ladder. Run the strap down through the center slot in the ratchet and "ratchet" just enough to loosely hold the strap in place. They do not need to be tight. This is only temporary to keep them out of the way while you upright the stand to the tree. **SEE FIGURE 1 and DETAIL C.**

Lastly, run the tether rope (57) down the length of the ladder, wrap around the Silent LadderLocks (33 and 35) that are near the ladder ratchets (27) and loosely tie in place. **SEE FIGURE 1 and DETAIL C.** You are now ready to upright the ladder. Follow setup and use instructions on following pages.

Note: Model LD200 depicted varies from manual model but the strap system is the same.

STOP

READ AND UNDERSTAND THE FOLLOWING WARNINGS BEFORE SETUP AND USE

! WARNING

- ▲ Double check assembly steps to be certain you have correctly assembled this product.
- ▲ Study your new stand to become familiar with all of its features and design. At ground level, following provided use instructions, practice attaching stand to tree and removing stand from tree. Practice sitting, standing, and using this product before attaching overhead. Save these instructions for future reference. You must always use the provided Fall Arrest System (FAS) while using this product.
- ▲ **Always** use at least three (3) people to install or take down a ladder treestand. **Always** have two people stabilize the ladder before climbing to the platform the first time after every set-up.
- ▲ Be absolutely sure the tree blade(s) on stand and the stabilizer bar are contacting tree before climbing ladder.
- ▲ Stabilizer bar must always be correctly and securely attached to ladder and tree before climbing ladder.
- ▲ Make sure ladder bottom is firmly seated on dry, level ground. Attach your harness tether to the tree before securing the platform to the tree and stepping onto platform. Refer to the Full Body Harness instructions.
- ▲ **Never** ascend or descend ladder without straps/ropes securely holding ladder to tree and stabilizer bar securely attached. Failure to correctly perform these steps can cause the ladder to collapse/buckle-over backwards during the initial ascent to attach ratchet strap resulting in serious injury or death.
- ▲ **Always** lean forward as you climb and attach your harness to the tree before securing the platform to the tree with the provided ratchet straps.

! WARNING

- ▲ Bring ratchet strap(s) up with you in a pocket - **Do Not** carry in your hands!

! WARNING

- ▲ **Always** maintain three (3) points of contact when climbing a ladder treestand. Proper three-point contact means having either two feet with one hand or one foot with two hands on the step portion of the ladder or climbing aid at all times.
- ▲ **Always** wear the appropriate footwear when using a ladder treestand. A good non-slip safety boot is important to your personal safety. Be especially careful that boot laces do not get hooked on the stand or any of its components (tuck shoelaces into boots before climbing).
- ▲ **Never** stand on seat, it is designed for sitting only.
- ▲ **Do Not** allow excessive strap buildup in ratchet as this will prevent the ratchet teeth from engaging causing slippage.
- ▲ **Always** attach ratchet straps securely while using this product!
- ▲ If seat is removable, be certain it is securely attached when in use.
- ▲ Some models include a shooting rail. **Never** lean against, lean over, or sit on shooting rail. It is designed as a shooting rest only. **Always** be aware that the shooting rail can swing to one side or pivot up and down.
- ▲ Some models include a footrest, which is designed as a footrest only. **Never** stand on footrest! **Always** be fully aware of foot placement.
- ▲ Some models include a multi-piece stabilizer bar system. Be sure attachment hardware goes through all extension tubes of the stabilizer bar.

SET UP AND USE INSTRUCTIONS



WATCH THE SET-UP AND USE VIDEO ONLINE AT
WWW.HUNTRIVERSEEDGE.COM
TO ASSIST WITH THE SET-UP OF YOUR TREESTAND

WARNING

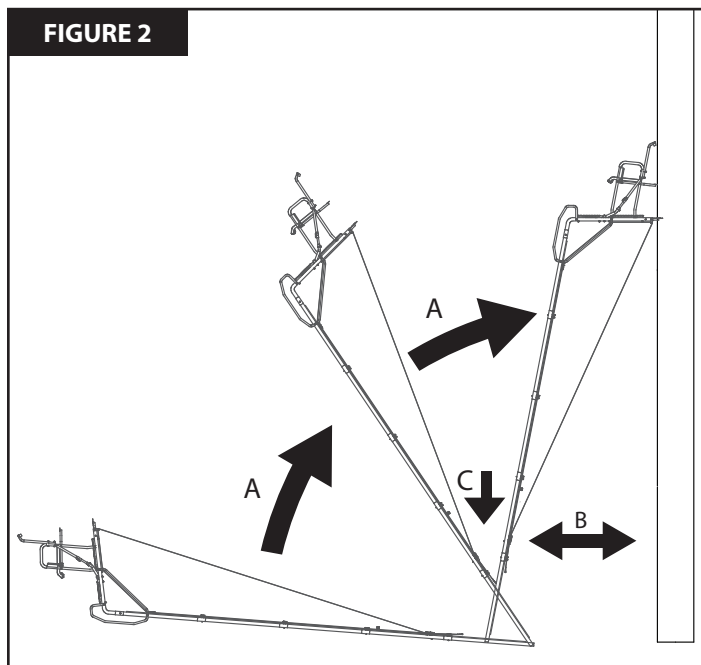
▲ **Never** use a treestand on a dead, leaning, diseased or loose barked tree, or a utility pole. **Always** avoid electrical power lines.

▲ Bring ratchet strap(s) up with you in a pocket - **Do not** carry in your hands!

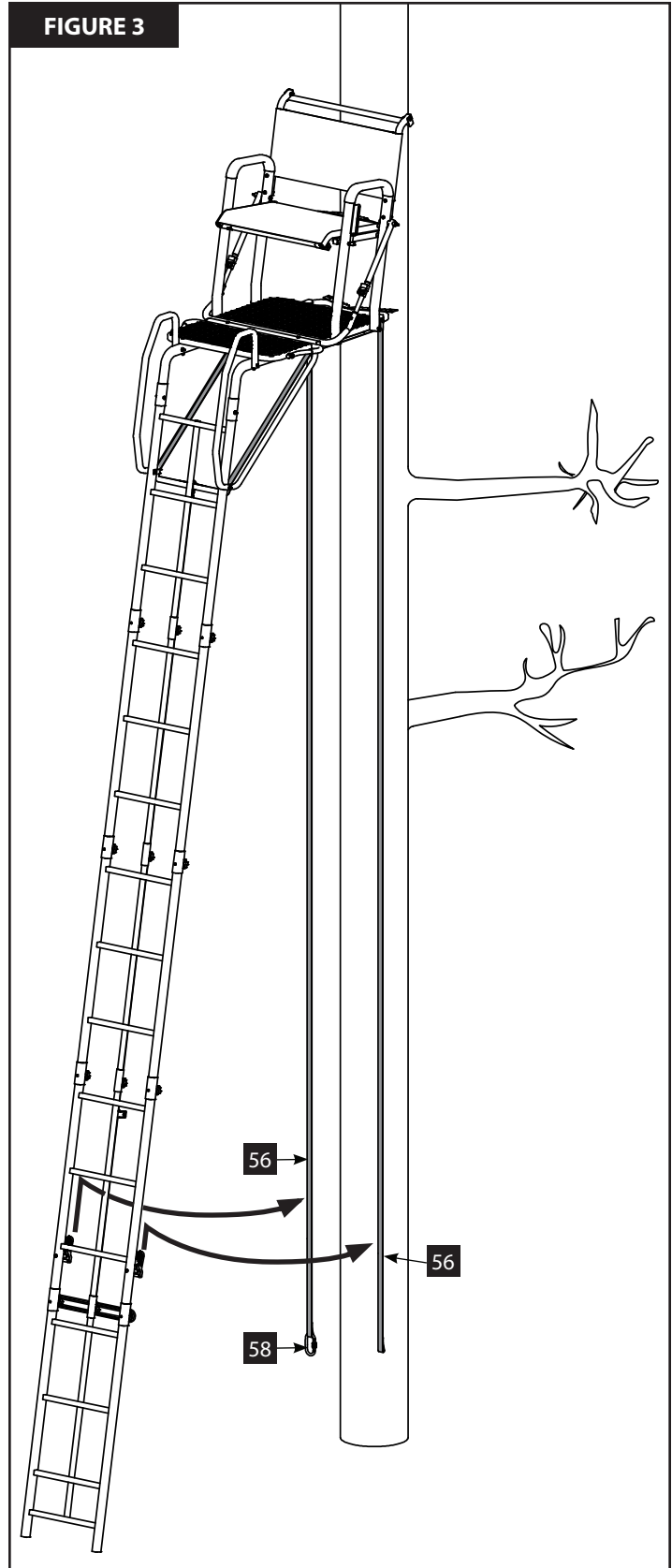
During installation and removal of ladder treestands, you must always and properly use the included Full Body Harness (Fall Arrest System). Refer to the Full Body Harness instructions included with this product for proper use.

1. Select a straight, healthy tree. Do Not attempt to install on a tree that is not healthy.
2. Place the assembled product lying on the ground in front of the tree with the bottom ladder section approximately five feet away from the base of the tree.
3. Position one person at bottom end of ladder. This person has to prevent the ladder end from tilting up and from skidding across the ground when platform end is lifted.
4. Position two people at the platform end of the ladder, lift the platform end and continue uprighting by walking toward bottom end of ladder while moving hands along ladder rails. Stand ladder up against chosen tree on dry, level ground. Use caution when ladder comes over center against the tree, as shown by arrow "A". **SEE FIGURE 2.**
5. Once elevated completely, carefully slide the base so that the sitting and standing platforms are parallel to the ground, as shown by arrow "B". **SEE FIGURE 2.**
6. Step back and look at the ladder top to see that both the lower platform tree blade and upper tree blade are contacting the tree. Adjust as needed so both of the tree blades are contacting the tree.
7. Step down hard on bottom step to push ladder legs into the ground, as shown by arrow "C". **SEE FIGURE 2.**
8. While two people hold the stand in place, the third person should complete the necessary steps on following pages to secure the stand to the tree.

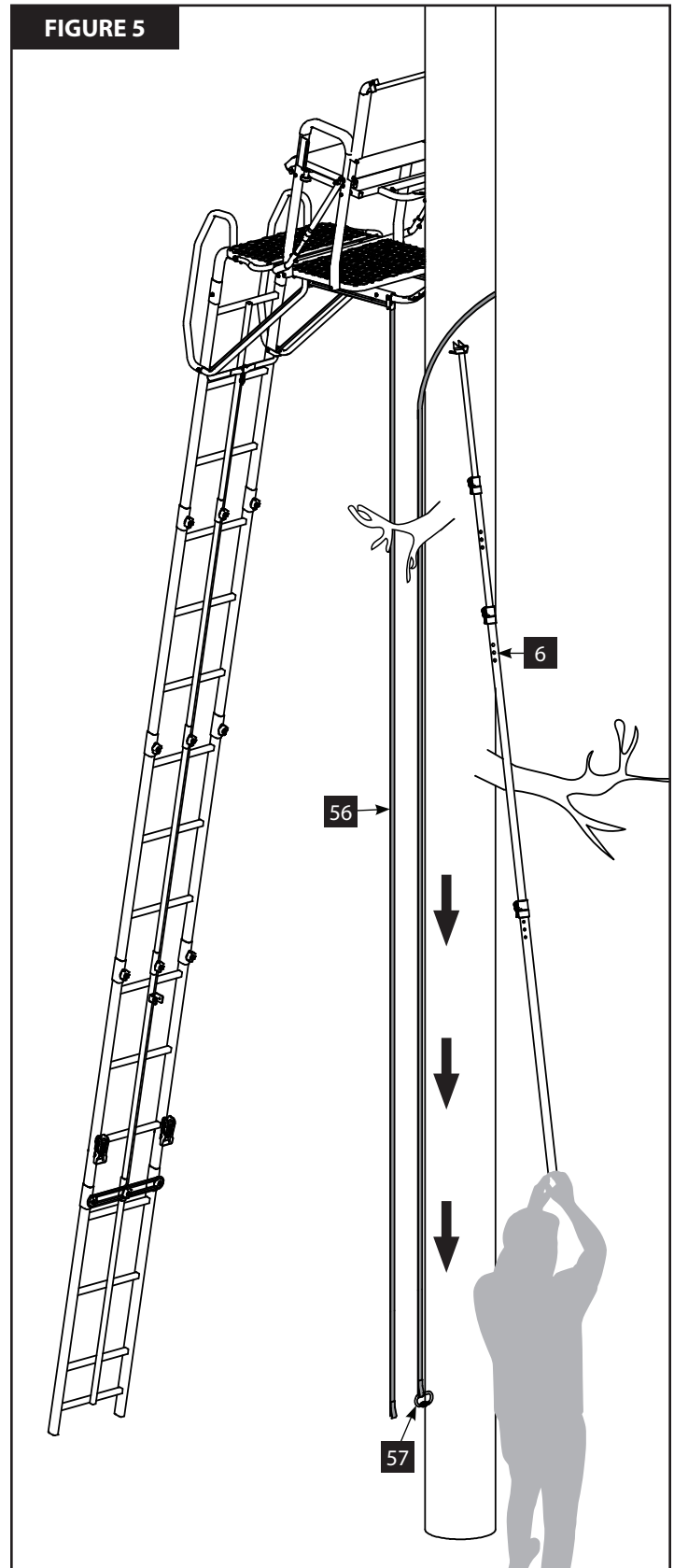
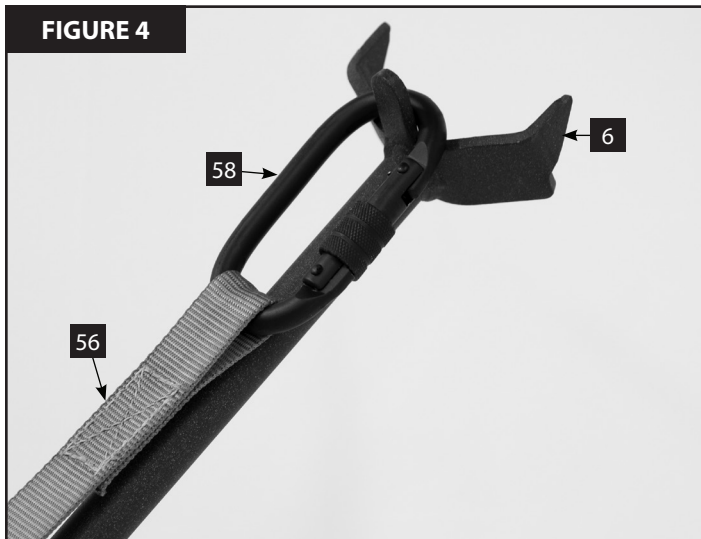
FIGURE 2



9. Begin by removing the long straps (56) from the ground level ratchets (27) and let them hang down on either side of the tree. **SEE FIGURE 3.**
10. Hook the large carabiner (58) to one of the long straps (56) that are hanging down near the tree. **SEE FIGURE 3. If the tree has branches between the ground and the top of the stand, proceed to the next step. If the tree is free of branches between the ground and the top of the stand, skip ahead to STEP 12.**



11. If the tree has branches between the ground and the top of the stand, before hooking the two long straps (56) together behind the tree with the carabiner (58), you must first get both straps on the same side of all of the branches. To do so, simply use the telescoping stabilizer bar (6) to lift up and drop the strap that has the carabiner hooked to it over the branches.
 - a. Hook the carabiner onto the end of the stabilizer bar as shown in **FIGURE 4**.
 - b. Then lift up and drop over each branch. The weight of the carabiner will drop the strap back down to ground level after each branch you drop it over.
 - c. Repeat dropping it over the branches until both straps are on the same side of all of the branches. **SEE FIGURE 5**. Then there will be a clear path for the straps and carabiner to rise up the back of the tree, all the way to the top of the stand.



12. Hook the two long straps (56) together behind the tree with the large carabiner (58). **SEE FIGURE 5.** Be sure to lock the carabiner with the screw locking mechanism. **SEE FIGURES 6 A-C.**
13. Unwrap the tether rope (57) from the silent ladder knobs (33 and 35). Pull the rope down to raise the two long straps and carabiner up the back of the tree. **SEE FIGURE 7.** As the carabiner nears the top, you may have to use a back and forth "sawing" motion with the two straps so that the carabiner rises all the way up directly behind the bottom tree blade (22). The straps should be parallel with the platform of the stand. **SEE FIGURE 8.** If needed, you can use the telescoping stabilizer bar (6) to help raise the carabiner up.

! WARNING

! DO NOT use this product without the carabiner in the locked position. Failure to follow these instructions may result in serious injury or death!

FIGURE 6-A



1. Turn knob to unlock

FIGURE 6-B



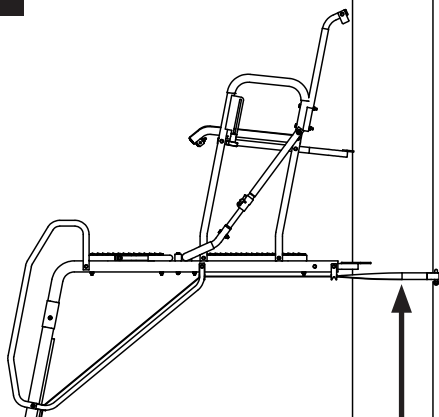
2. Press open latch

FIGURE 6-C



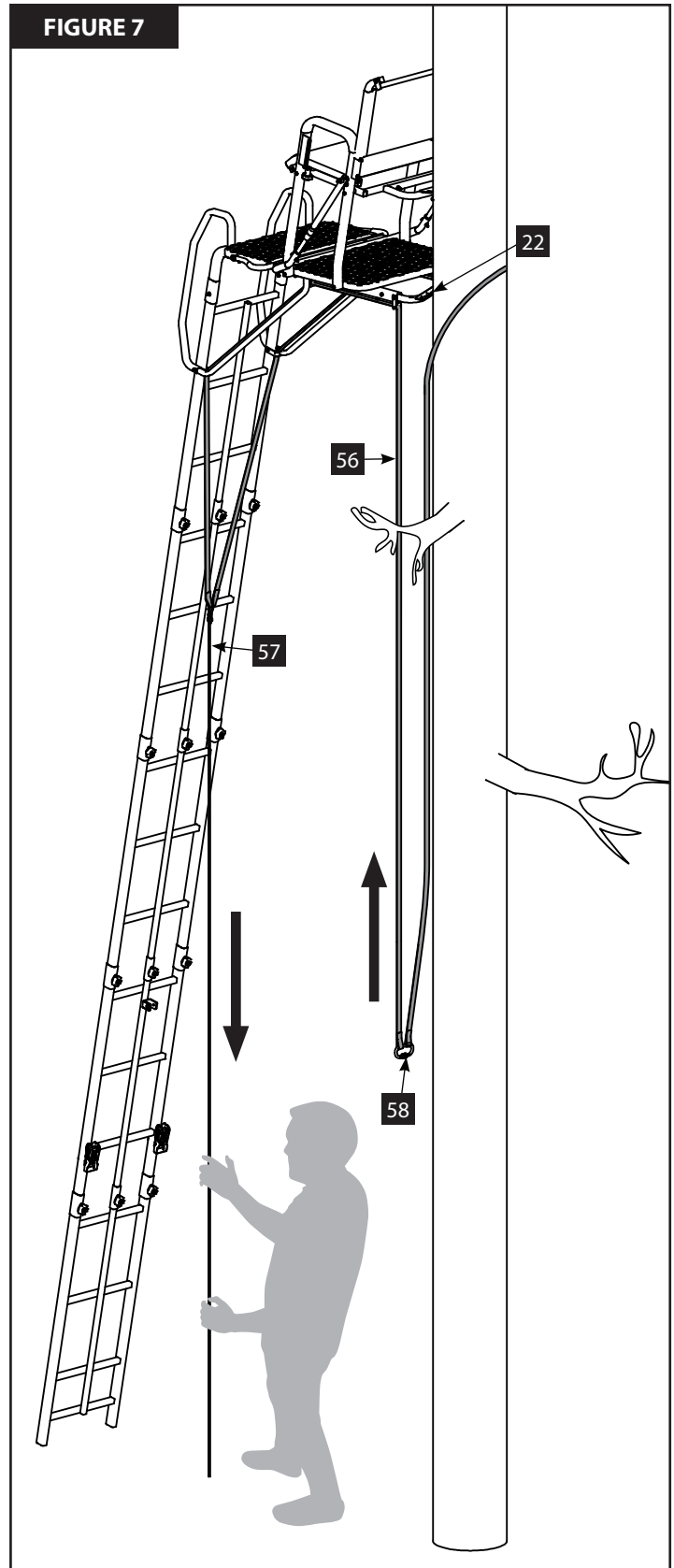
2. Turn knob to lock

FIGURE 8

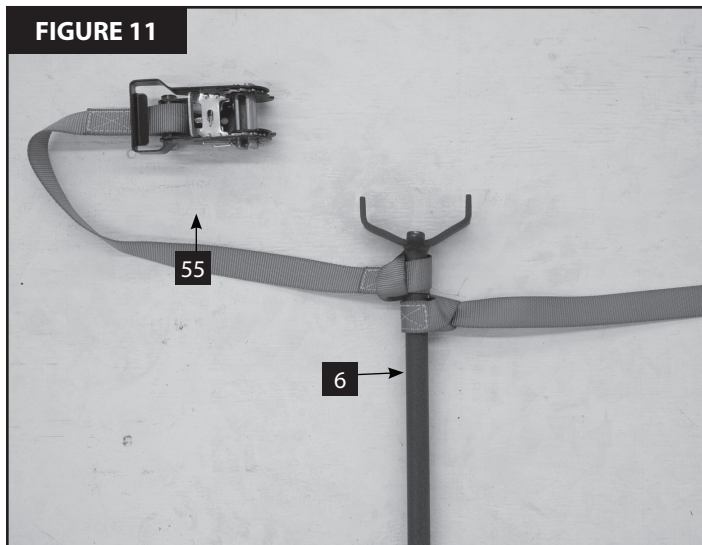
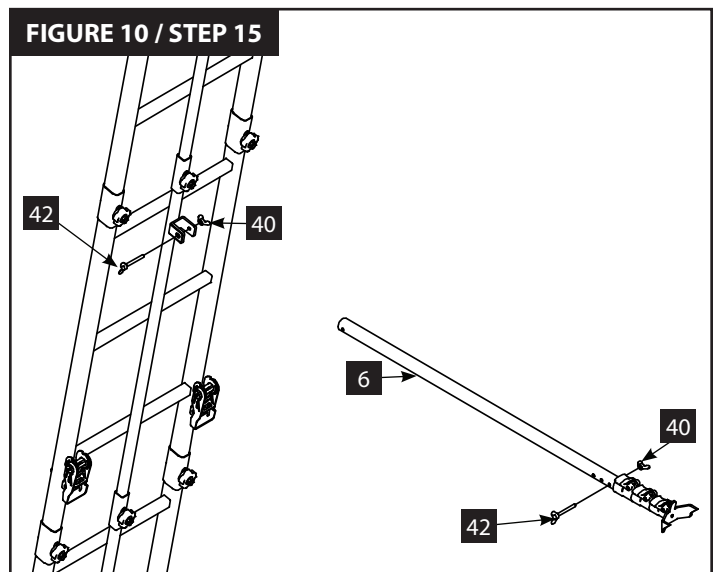
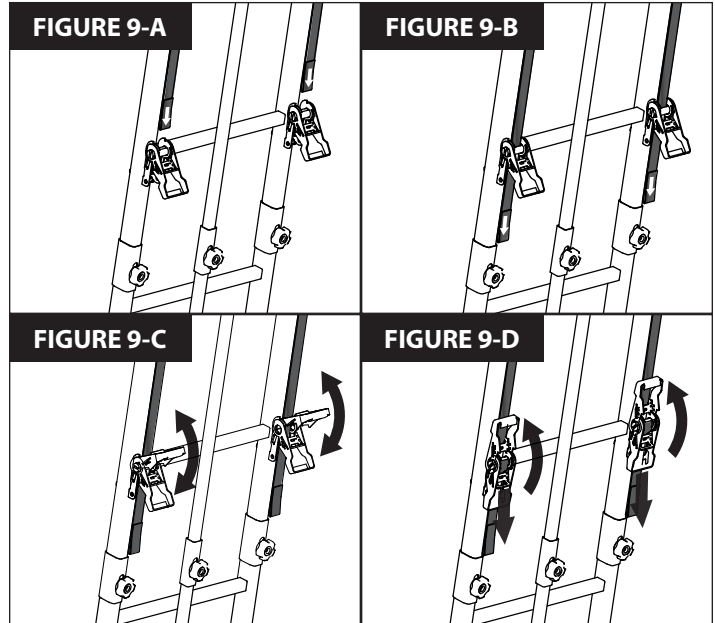


STRAPS AND CARABINER MUST BE STRAIGHT BEHIND TREE BLADE AND PARALLEL WITH THE PLATFORM

FIGURE 7



14. Once the straps (56) and carabiner (58) are all the way up the back of the tree, unhook the tether rope (57) from the two long straps (56) and set aside. The tether rope can later be used as a haul line to pull your gear up into the stand. Feed the straps down through the ladder ratchets (27) and ratchet a few cranks just to hold the straps in place. **SEE FIGURES 9 A-D** for proper use of ladder ratchets. **Do not fully ratchet the straps tight yet.**
15. Fully collapse the telescoping stabilizer bar (6) and install to the ladder using one wing bolt (42) and wing nut (40). **SEE FIGURE 10.** When the stabilizer bar is fully collapsed and the lever handles are aligned on the top, the three holes in the first three sections should line up.
16. Release the first clamp and extend only the bark-biter section of the stabilizer bar until it contacts the tree. Adjust the length of the stabilizer bar as needed and make sure it is parallel with the ground. Align the nearest hole and insert a wing bolt (42) and wing nut (40) and hand tighten to secure the length of the stabilizer bar. **SEE FIGURE 10.** Then attach the 8' ratchet strap (55) by forming a cinch knot around the stabilizer bar with both ends. **SEE FIGURE 11.** Wrap around the tree and ratchet tight.
17. Now that the stabilizer bar is installed, you can finish tightening the ground level ratchets (27) to secure the stand to the tree.
18. ***This ground level ladder-to-tree attachment will prevent the ladder from pulling away from the tree while ascending to the top for the final ratchet strap attachment. The same holds true when ladder removal is necessary. You are now ready to climb up and complete the final installation steps.***



INSTALLING THE RATCHET STRAPS (54)

19. **Be certain ladder bottom is firmly seated on dry, level ground.** With two people securely holding the base of the ladder, use the three point contact climbing method to slowly climb the ladder and carefully keep a constant hand grip on the ladder at all times. Always lean forward, towards the tree, while climbing. **Attach your harness tether to the tree before securing the platform to the tree with the provided ratchet straps. Refer to the Full Body Harness instructions included with this product.**

NOTE: Bring large ratchet straps up with you in a pocket. DO NOT carry in your hands!

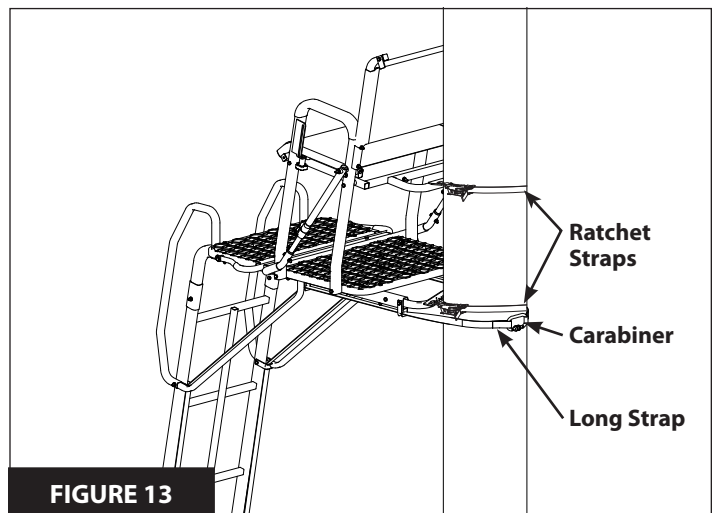
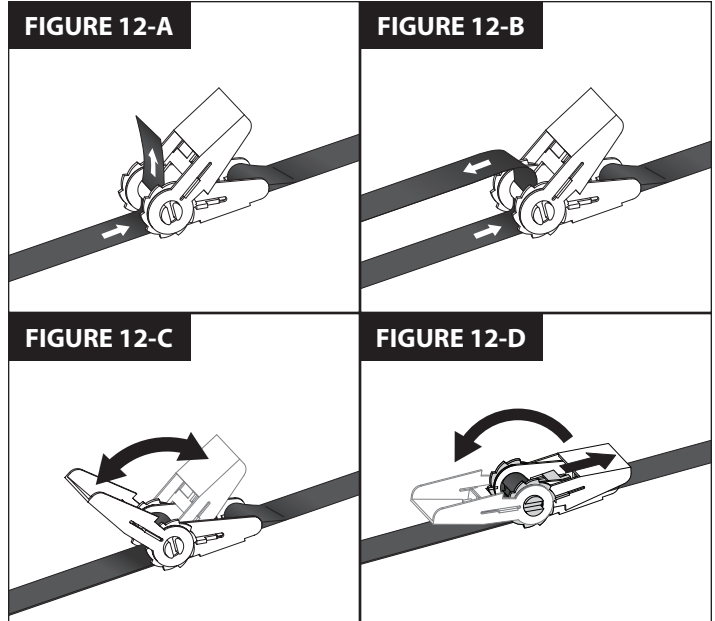
20. Once platform is reached and safety harness is secured to the tree, hook S-hook with long strap through one of the holes provided in top tree blade. Feed the long strap through the center slot of ratcheting mechanism and back around through tightening lever. **SEE FIGURES 12 A-B & 13.**

21. Wrap the ratchet assembly around the tree and hook other S-hook through opposite hole on top tree blade. Pull tail of long strap until most of the slack is taken out. Be sure entire strap is even and at the same level all around tree. "Ratchet" tight to tree. This will securely attach only the seat portion to the tree and prevent movement. **SEE FIGURES 12-C & 13.**

NOTE: To release ratchet, simply pull the release lever and open tightening lever wide open (flat). SEE FIGURE 12-D.

22. Repeat previous two steps for the bottom tree blade attachment. Place S-hook through holes provided on bottom tree blade.

23. To take the ladder stand down, first check the security of the ground level ratchets (27) and stabilizer straps (56). Then, with two people holding the bottom of the ladder, climb up, secure your safety harness to the tree and remove the top two ratchet straps (54). Then climb down and reverse the set-up and use instructions to complete the removal of the stand.



THE ULTIMATE SHOOTING RAIL USE INSTRUCTIONS

The shooting rail on this stand is unique. It has both up-and-down and in-and-out adjustment. It can also be flipped down and tucked away into the platform to get it out of the way for bow hunting.

SHOOTING RAIL ADJUSTMENT

1. To adjust the shooting rail up or down, simply loosen the two knobs, slide them up or down in the slots to the desired height, and tighten them back up. **SEE FIGURE 14.**
2. To adjust the shooting rail in or out, simply release the two clamp levers and slide the shooting rail to the desired position. Then, lock in place by flipping the levers back down. **SEE FIGURE 14.**

SHOOTING RAIL TUCKED-AWAY

3. To flip the shooting rail down and tuck it away into the platform, first flip it up over your head and let it rest against the tree.
4. Then, loosen the two knobs and slide/rotate them down in the slots and out of the way. **SEE FIGURE 15 AND DETAIL A.**
5. Then, flip the shooting rail down in front of you and release the two clamp levers. Flip it all the way down and slide it into the slot in the platform. Then lock in place by flipping the levers back down. **SEE FIGURE 15.**

Note: Model LD200 depicted varies from manual model but the shooting rail design is the same.

FIGURE 14

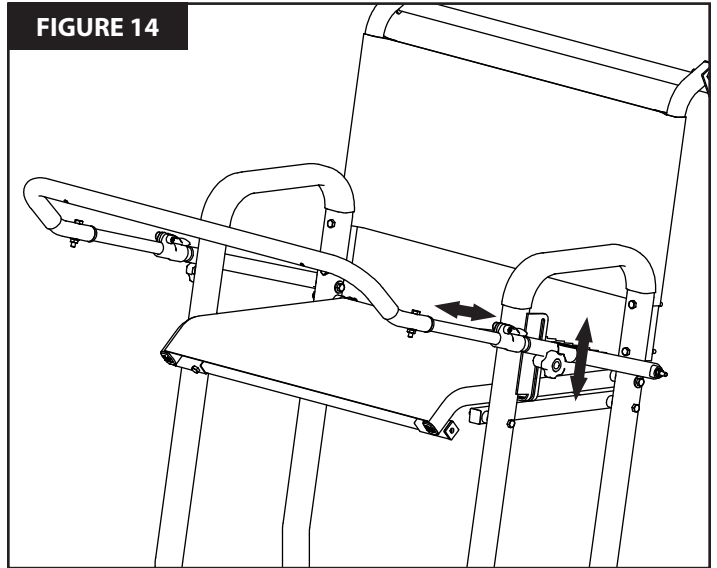
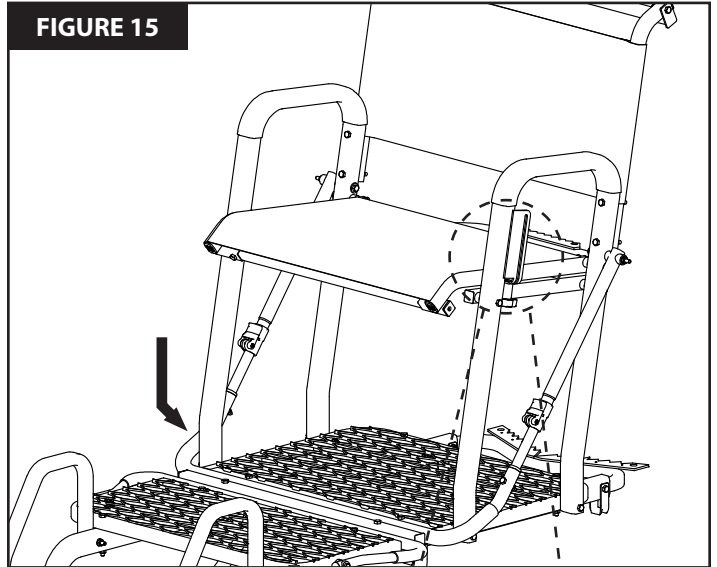
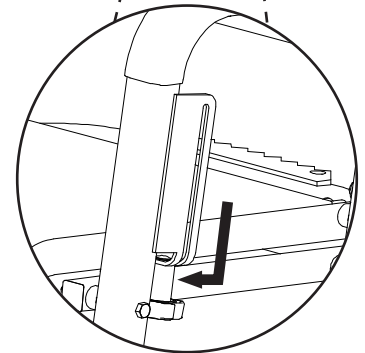


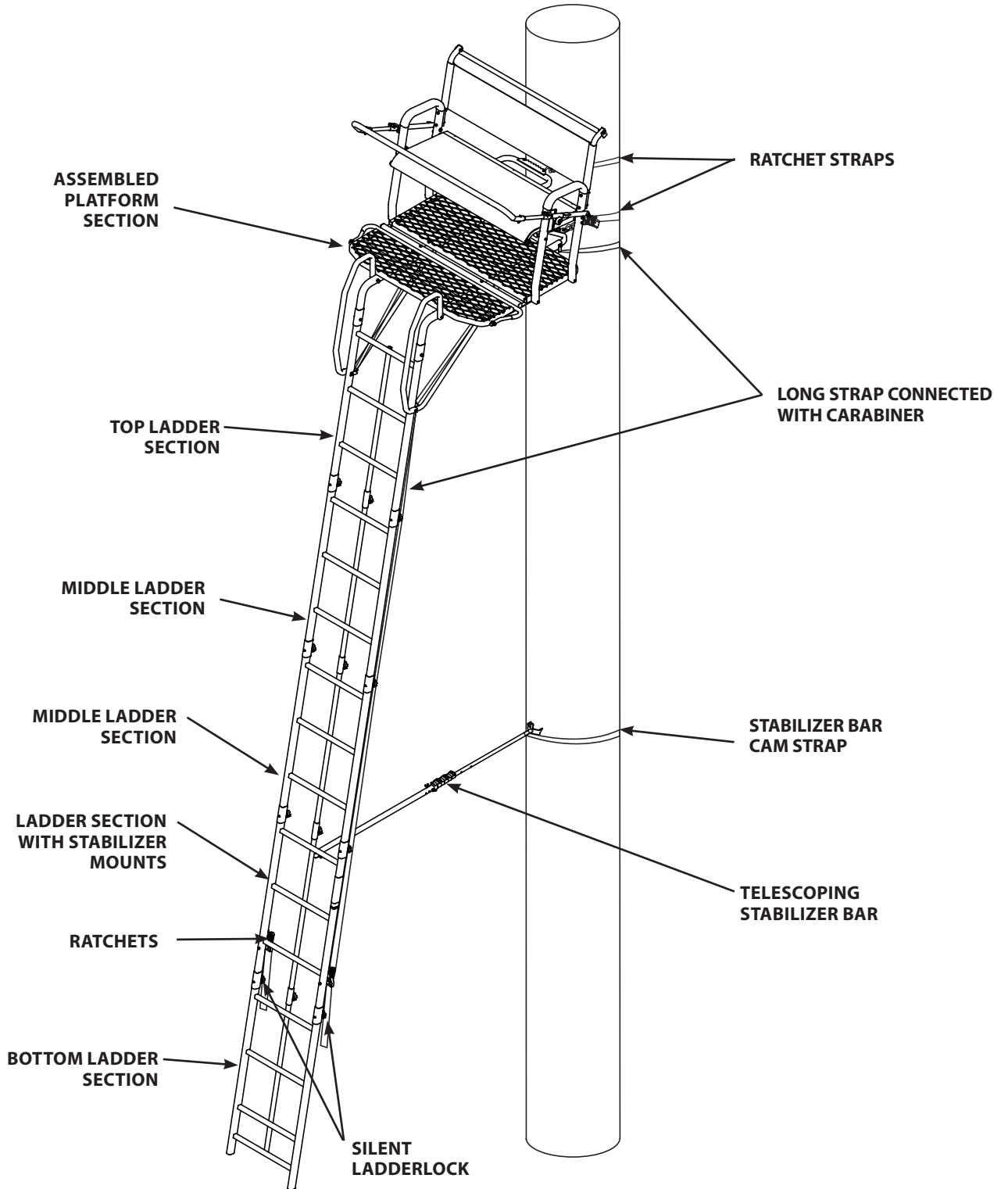
FIGURE 15



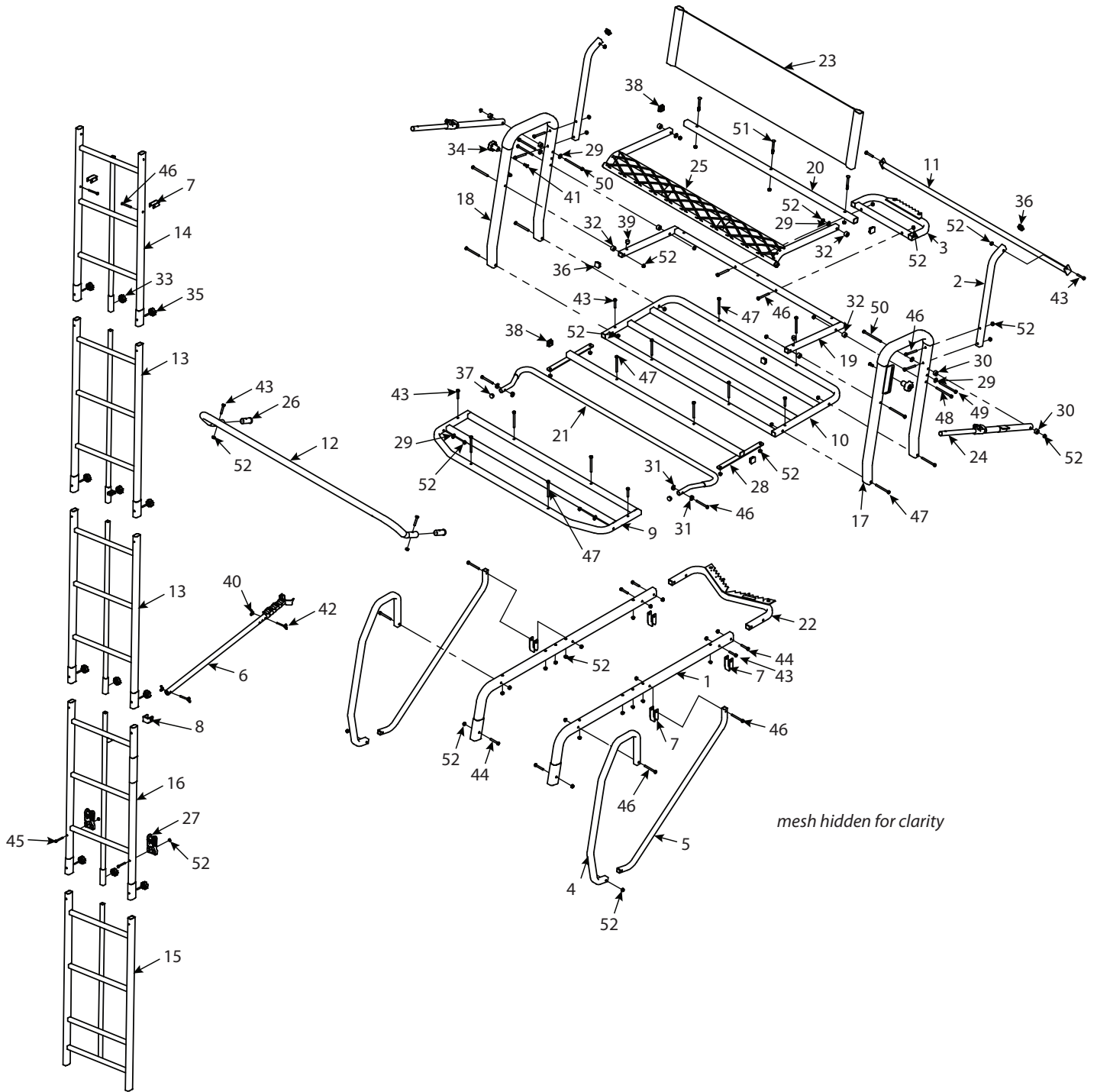
DETAIL A



FINISHED LADDER



ILLUSTRATED PARTS BREAKDOWN



PARTS LIST

ITEM #	PART #	DESCRIPTION	QTY.
1	34936	J TUBE	2
2	34975	BACKREST TUBE	2
3	35084	TOP TREE BLADE	1
4	35085	LADDER HAND RAIL	2
5	35086	PLATFORM BRACE	2
6	35100	STABILIZER BAR TELESCOPING	1
7	35129	STRAP GUIDE	6
8	35131	INSERT STABILIZER BAR MOUNT	1
9	35170	PLATFORM FRONT	1
10	35173	PLATFORM REAR	1
11	35184	BACKREST SPREADER	1
12	35187	SHOOTING RAIL ROUND W/ VINYL DIP	1
13	35189	MIDDLE LADDER SECTION	2
14	35191	TOP LADDER SECTION	1
15	35193	BOTTOM LADDER SECTION	1
16	35195	LADDER SECTION W/ STABILIZER	1
17	35199	LEFT ARMREST	1
18	35200	RIGHT ARMREST	1
19	35202	SEAT SUPPORT	1
20	35215	REAR SEAT SUPPORT	1
21	35219	FOOT REST W/VINYL DIP	1
22	35222	BOTTOM TREE BLADE	1
23	35228	BACKREST	1
24	35229	ADJUST SHOOTING RAIL	2
25	35231	ASSEMBLY SEAT	1
26	35374	INSERT SHOOTING RAIL	2
27	35715	LADDER RATCHET	2
28	35843	CENTER PLATFORM	1
29	23572	YELLOW PLASTIC WASHER 2 MM	8
30	35130	YELLOW CURVED SPACER	4
31	35225	YELLOW CURVED WASHER	4
32	36703	YELLOW PLASTIC SPACER 12 MM	6

ITEM #	PART #	DESCRIPTION	QTY.
33	23603	KNOB SILENT LADDER	4
34	28839	M6 X 29 MM KNOB	2
35	36719	KNOB SILENT LADDER W/ STUD	8
36	29712	SQ PLUG 22 MM	4
37	30407	ROUND PLUG 18 MM	2
38	32783	SQ PLUG 25 MM	4
39	48679	RUBBER BUMPER STOP	2
40	48042B	WING NUT	2
41	48057B	BOLT M6 X 20 MM	2
42	26813	SCREW WING	2
43	48240B	BOLT 1/4 X 1-1/2 IN	10
44	48250B	BOLT 1/4 X 1-3/4 IN	4
45	48271B	BOLT 1/4 X 2-1/4 IN	2
46	48270B	BOLT 1/4 X 2-1/2 IN	14
47	48280B	BOLT 1/4 X 3 IN	14
48	36704	BOLT 1/4 X 3-1/2 IN	4
49	29676	BOLT 1/4 X 3-3/4 IN	2
50	36705	BOLT 1/4 X 4 IN	2
51	35721	CARRIAGE BOLT 1/4 X 2-1/2 IN	3
52	48752B	NUT 1/4 IN	55
ITEMS BELOW NOT SHOWN			
53	10531	HARNESS	2
54	35135	ASSEMBLY 8 FT RATCHET STRAP W/ S-HOOKS	2
55	35159	RATCHET STRAP ASSEMBLY 8 FT	1
56	35140	STABILIZER STRAP 21 FT	2
57	30777	TETHER ROPE	1
58	35743	LARGE CARABINER	1

**NO EXTENSIONS AVAILABLE FOR THIS MODEL.
 NEVER MODIFY OR EXCEED ORIGINAL STATED USE HEIGHT!**

LOCKDOWN™

BIG, COMFORTABLE TREESTANDS

by

RIVERS  **EDGE®**
TREESTANDS

Ardisam, Inc.
1160 Eighth Avenue, PO Box 755
Cumberland, WI 54829

Phone: 800-345-6007
Fax: 715-822-2124
www.huntriversedge.com

*All weights, specifications and features are approximate and are subject to change without notice. Due to continuous product improvements, product images may not be exact. Warning labels in some product images may have been removed for photography purposes only. Props shown in photos not included. Some assembly may be required.