



COOP CONTROLS KIT INSTALLATION AND OWNERS MANUAL

Installation video can be found at coopcontrols.com/help/videos

ALL KITS REQUIRE A 12VDC BATTERY. YOUR SYSTEM WILL NOT FUNCTION WITHOUT BATTERY INSTALLED AND CONNECTED. THE INCLUDED AC TRANSFORMER OR OPTIONAL SOLAR PANEL ARE REQUIRED TO KEEP THE BATTERY CHARGED.

www.CoopControls.com



WARNING: California Residents this product can expose you to chemicals including lead which is know to the state of California to cause cancer. For more information go to www.P65Warnings.ca.gov.

2020-08 CKBTIM
©Ghost Controls® 2020
Made in China



COOP CONTROLS, a brand of Ghost Controls, is pleased to welcome you as a new customer of the ULTIMATE AUTOMATION SOLUTION for your coop doors. You will find that our products and customer service are the best in the business and we will provide you with reliable, efficient help that meets and exceeds your expectations. Not only do we design and develop the most innovative products in the industry, but our entire team of people is dedicated to serving you. We look forward to a long and mutually beneficial relationship.

Your comments and suggestions are important to us because they help us provide the best possible service. Should you have any need to contact us, the list below will help you get in touch:

Technical Support: 850-480-7500

Sales questions or dealer inquiries: 850-558-5520 option #1

Email Us: at info@coopcontrols.com

Helpful installation and usage videos can be found at: <https://coopcontrols.com/help/videos/>

Instruction Manuals can be found at: <https://coopcontrols.com/help/install-manuals/>

CONTENTS

■ INSTALLATION AND OWNERS MANUAL



- 4 Coop Arm Specifications
- 5 Read This First
- 7 Kit Contents and Tools Needed
- 9 Door Opener Installation Planning
- 11 Coop Door Opener Install
- 21 Control Box Install
- 31 Control Board Settings
- 33 Adding Additional Accessories
- 34 Troubleshooting
- 35 Manual Door Release Operation
- 36 Warranty

SPECIFICATIONS

■ COOP CONTROLS KIT

SPECIFICATIONS FOR KIT

- System Operating Voltage: **12 VDC BATTERY, REQUIRED FOR OPERATION**
- System Battery Recharged By Either:
 - 1) Transformer Electrical Input Requirement: 120V 60Hz AC Circuit protected by GFCI
 - OR
 - 2) Solar Panel: 10 Watt
- Minimum Coop Door Width: 16"
- Maximum Coop Door Width: 30"
- Operator Opening Time: Approximately 5-7 seconds
- Linear Actuator Operating Temperature: -5°F to 160°F

READ THIS FIRST

IMPORTANT SAFETY INSTRUCTIONS

Thank you for choosing a COOP CONTROLS® Automatic Coop Door System, the most innovative swing opener system available for coop applications on the market today. This manual will guide you through the proper installation and maintenance methods. To reduce the risk of injury or death: **READ, UNDERSTAND, AND FOLLOW ALL INSTRUCTIONS CAREFULLY AND COMPLETELY.** Following these directions is critical to a successful and safe operating environment. We suggest heading to the coop website at www.coopcontrols.com, go to the help drop down tab and click on video and watch the installation video to help give you an overview of the install.

1. This system is only intended for use on doors intended for coops and animal pens and is not intended for pedestrian door applications.
2. The COOP CONTROLS Door System can be installed on a pull-to-open swing-type door with a width of between 16-30" with the items included in the kit.
3. The COOP CONTROLS Opener Kit will automate your coop door. You will likely need to monitor your birds in the first few weeks to ensure they have learned the closing cycle of your coop door and to allow you to delay the close cycle if required.
4. This COOP CONTROLS Door System can be enhanced with additional accessories such as solar panels for "off-the-grid" installations. For additional assistance, please contact COOP CONTROLS Technical support at <http://coopcontrols.com/help> or by calling 850-480-7500.
5. The COOP CONTROLS Coop Door System must be installed in a location that prevents entrapment by providing sufficient clearance between it and adjacent structures when opening and closing.
6. Never let children operate or play with system controls.
7. **KEEP DOORS PROPERLY MAINTAINED.** Read the user's manual.
8. **SAVE THESE INSTRUCTIONS.**

SAFETY PRECAUTIONS

This manual contains important safety precautions and warnings for both the installer and end users or consumers of this automatic door opener system. The following warnings and safety are intended to apply to the most common applications but may not apply to all possible installation and applications for these products.

1. CAREFULLY READ AND FOLLOW ALL SAFETY PRECAUTIONS, INSTALLATION AND OPERATING INSTRUCTIONS.
2. **DO NOT ALLOW CHILDREN TO OPERATE SYSTEM CONTROLS.** Do not allow children to play near the coop door. Keep all door control accessories such as push buttons out of reach of children.

3. Understand how to disconnect the power and manually open the coop door (beginning on page “Manual Door Operation” on page 37) **BEFORE** you begin using the coop system. If you are unsure of any of these steps, please contact COOP CONTROLS® Technical Support at 850-480-7500.
4. Disconnect the door operator from the coop door **ONLY** when the operator is **NOT** in motion and the system is turned off.
5. The opener system must be installed only in applications that it is specifically designed for.
6. Install the coop door operator system on the outside of the coop to allow the photocells to sense daylight and night time hours. The photocell points down so installing the control box on the outside under a roof overhang is acceptable. **The bottom of control box must be mounted at least 12 inches above the ground.**
7. The control board for the coop door system should be protected from unauthorized access inside the control box to prevent tampering or unauthorized adjustments to its setting once installed. The control box is designed so that a pad-lock can be attached to keep the box securely closed.
8. To activate the coop system using the push-button it must be in direct line of sight visibility to the coop door so that the user can verify that any potential entrapment areas are clear of potential obstructions.

ALARM

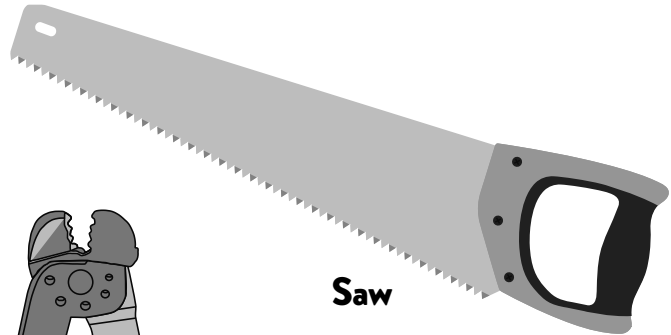
Your COOP CONTROLS Door System includes an audible alarm. This alarm will beep prior to automatic door closing, low battery and when arm is unable to run to its limit.

INSTALLING THE OPERATOR

TOOLS AND SUPPLIES NEEDED



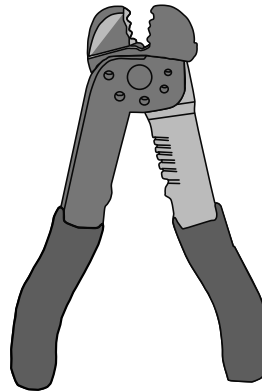
Corded/Cordless Drill



Saw



Tape Measure



Wire Strippers/Cutters



1/4" and 1/8" Drill Bits



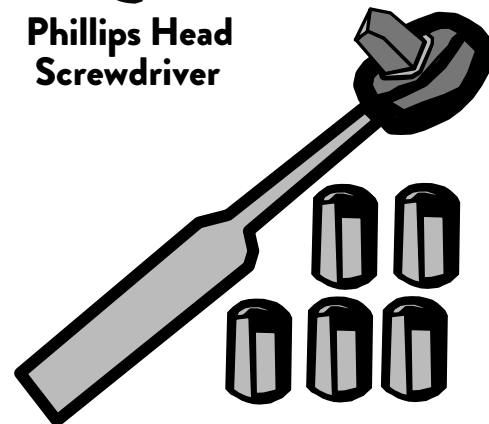
Phillips Head Screwdriver



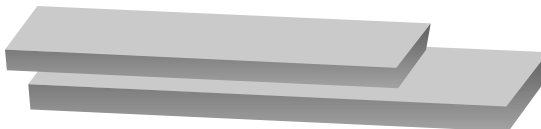
Level



Standard 7/16" Wrench



Standard or Metric Socket Set



2X4 See Steps 3 & 4 in Manual

KIT CONTENTS:

NOTE

CKBT KIT – BATTERY IS INCLUDED

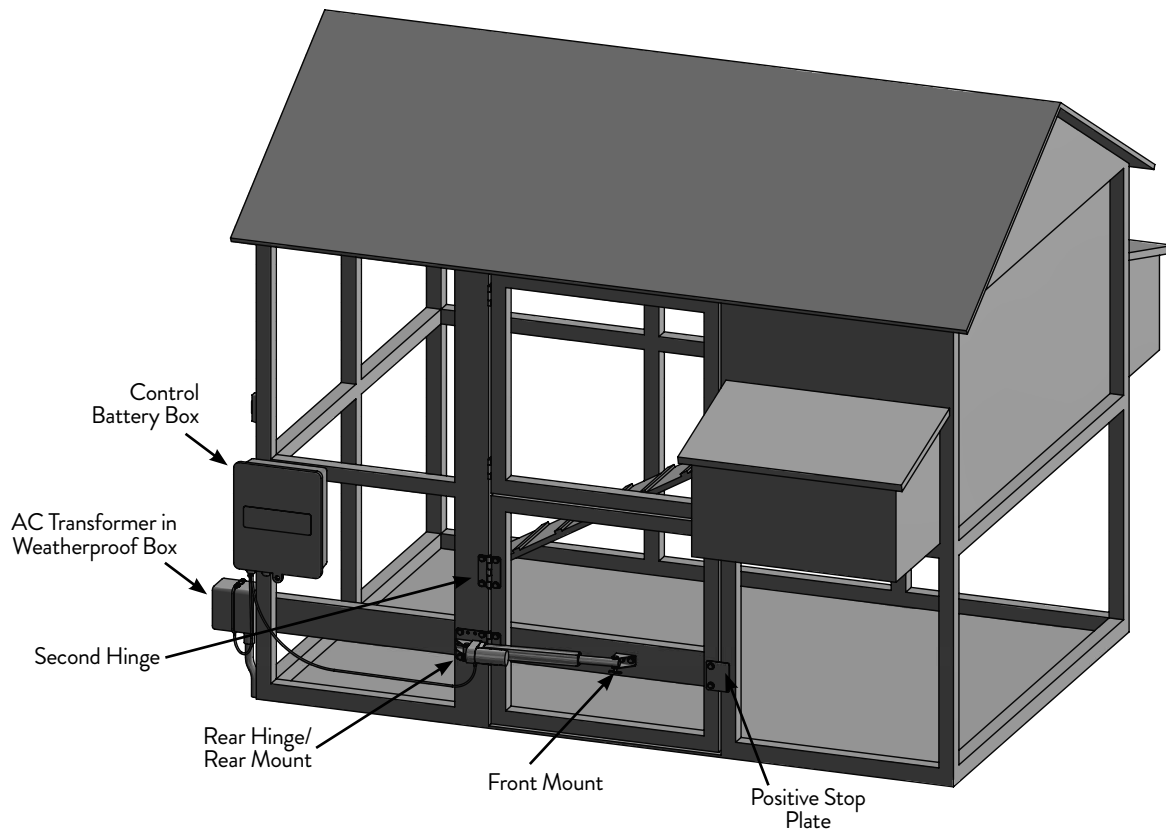
CKSP KIT – NO BATTERY INCLUDED

CKSP-XP – SOLAR (solar panel not shown), NO BATTERY OR AC TRANSFORMER IS INCLUDED



INSTALLATION PLANNING

KIT SITE PLANNING



Proper planning of the Automatic Coop Door Operator will enable a successful installation for anyone who has general home improvement skills. You should consider the following:

1. Single swing-type door operation based on the size of your opening, door specifications, and operator system capacities.
2. Swing direction of door.
3. Mounting location on door and frame.
4. Location and mounting point of control battery box.
5. Location of AC Power source. **THE AC TRANSFORMER IS DESIGNED FOR INDOOR USE AND IF IT WILL BE MOUNTED OUTSIDE IT MUST BE PROTECTED IN A WEATHER RESISTANT BOX** (that meets code in your area).

NOTE

The power cable to the transformer should be protected and should always be enclosed in PVC conduit.

PREPARE THE DOOR FOR INSTALLATION

Proper installation, care, and ongoing maintenance of the door is critical to the life of the automatic door operator system. The following items should be considered and addressed if needed PRIOR to installation of the automatic door operator system:

1. The door must swing freely throughout its entire range of motion remaining plumb and level.
2. The door should not swing up or down hill when opening or closing.
3. The door must not drag on the ground or coop at any point during its motion.
4. The front mount of the door operator should be attached to the door securely. This may require modifications to the door design or surface to maintain this secure mounting location.

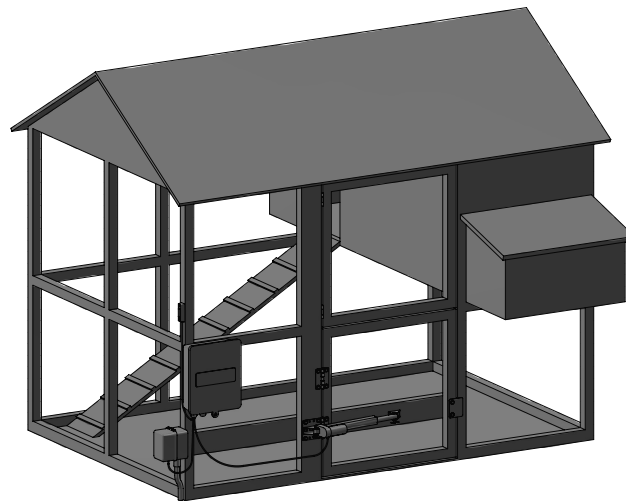
INSTALLING COOP OPENER

SWING DOORS

COOP DOOR PREPARATION AND REINFORCEMENT FOR INSTALLATION

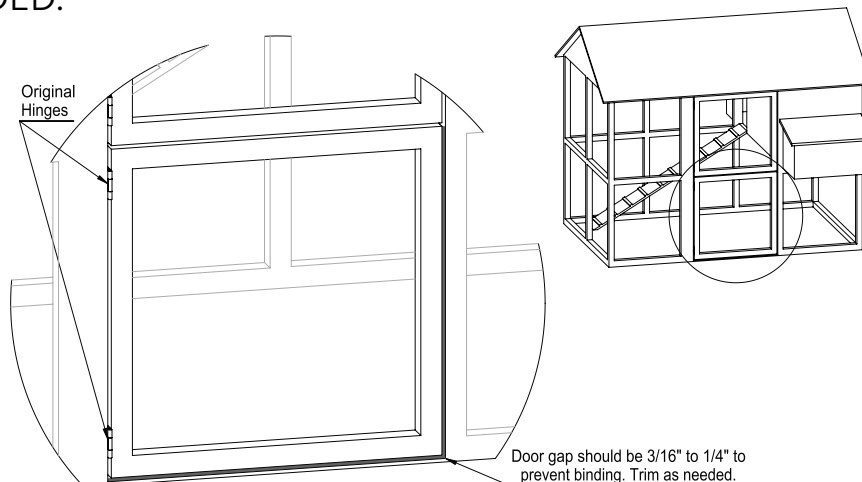
NOTE
BEFORE YOU GET STARTED YOU WILL NEED A WOODEN 2 X 4 TO MATCH THE WIDTH OF THE COOP'S DOOR.

NOTE
 The dimensions and step-by-step instructions that follow are for mounting the COOP CONTROLS® Door Opener system to a standard coop door that swings out away from the coop.



STEP 1. VERIFY YOUR DOOR IS LEVEL, PLUMB AND SWINGS FREELY.

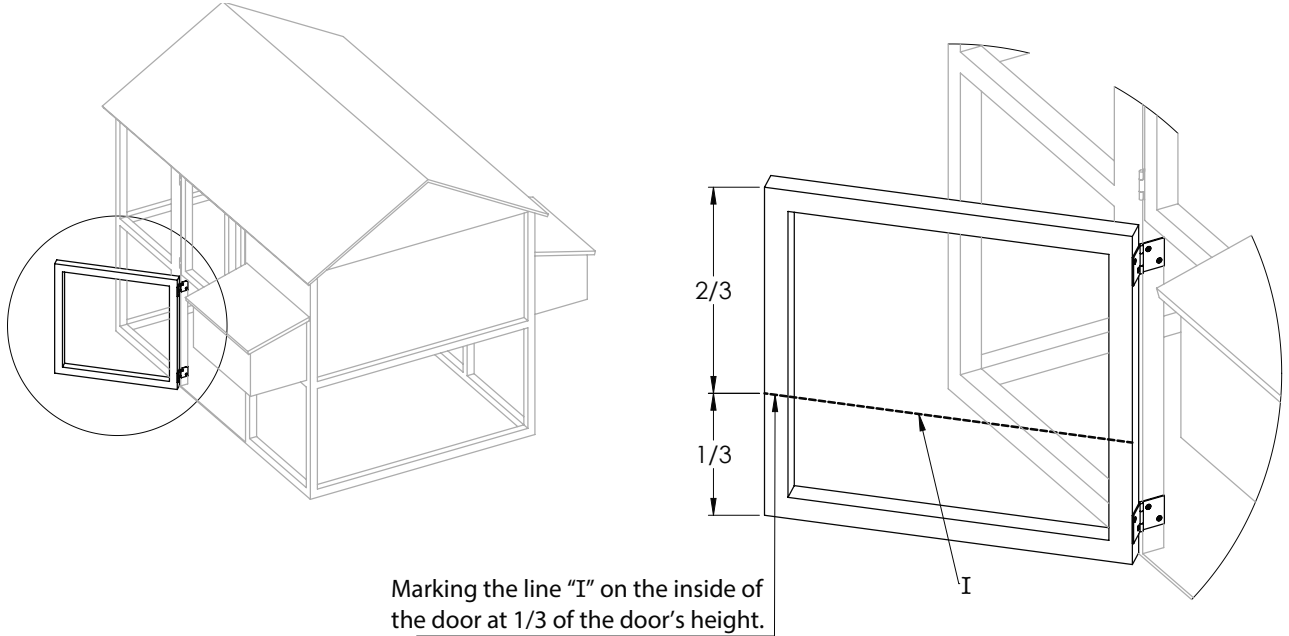
STEP 2. CHECK DOOR GAP. SHOULD BE 3/16" TO 1/4" TO PREVENT BINDING. TRIM AS NEEDED.



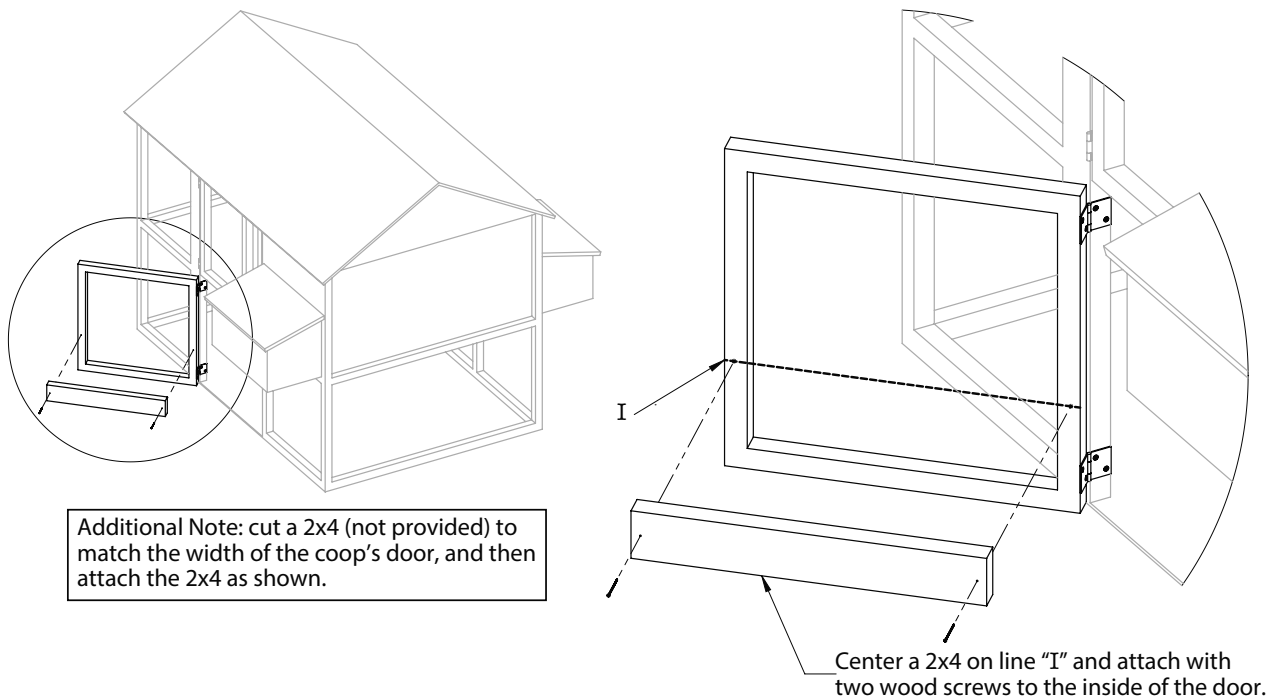
STEP 3. INSIDE COOP DOOR REINFORCEMENT.**NOTE**

YOU WILL NEED A WOODEN 2 X 4 TO MATCH THE WIDTH OF THE COOP'S DOOR FOR THIS STEP!

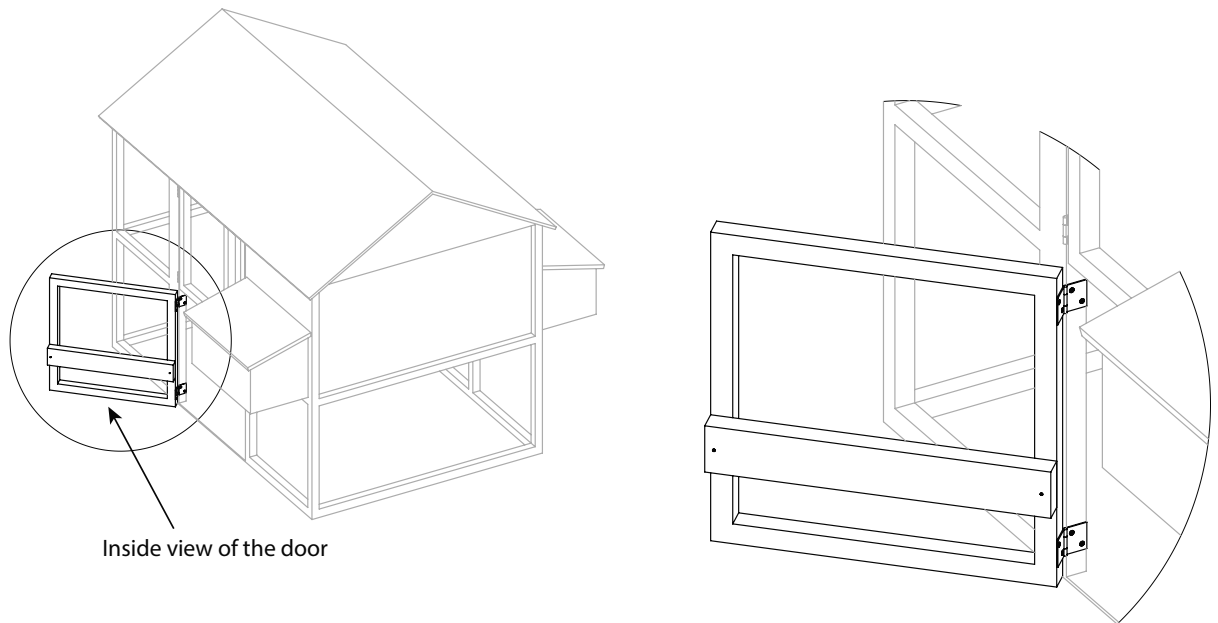
- A. Open door, measure from bottom of the door up to 1/3 its height and mark coop door.



- B. Cut wood 2x4 to length of inside coop door width. Install using included wood screws.

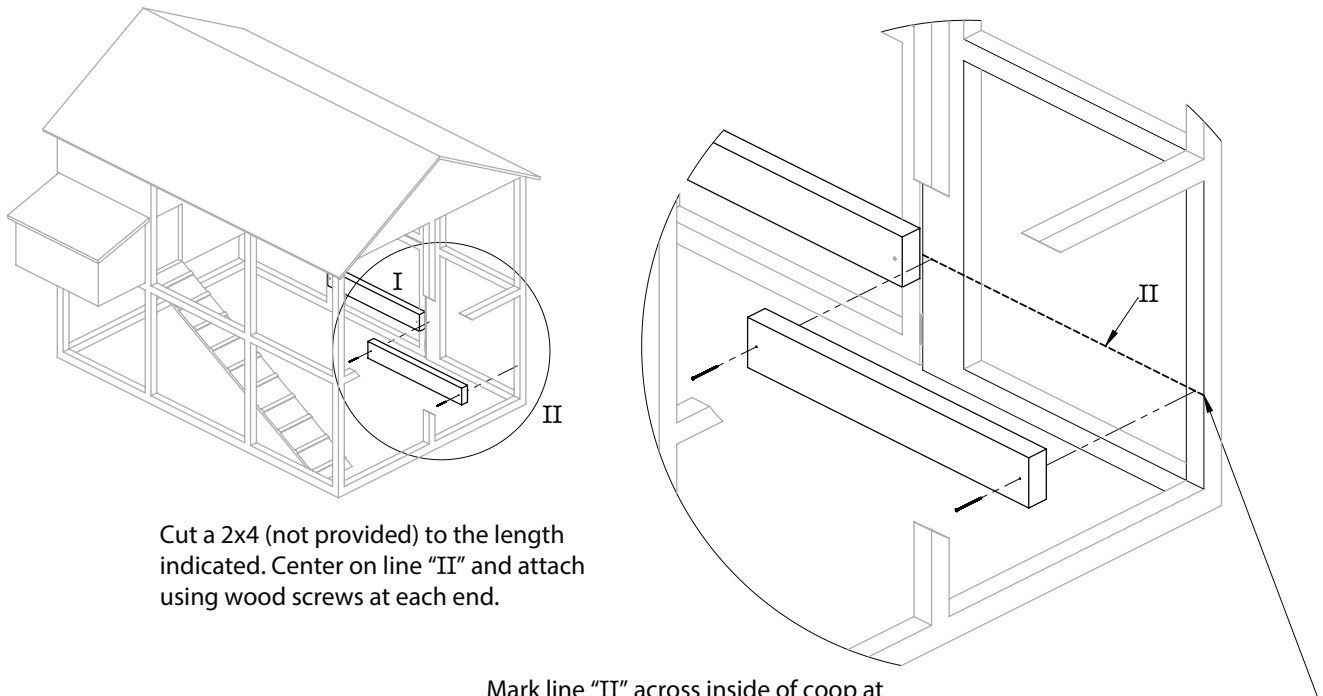


C. Completed installation of coop door reinforcement. Make sure coop door continues to swing freely.



STEP 4. INSIDE COOP DOOR FRAME REINFORCEMENT.

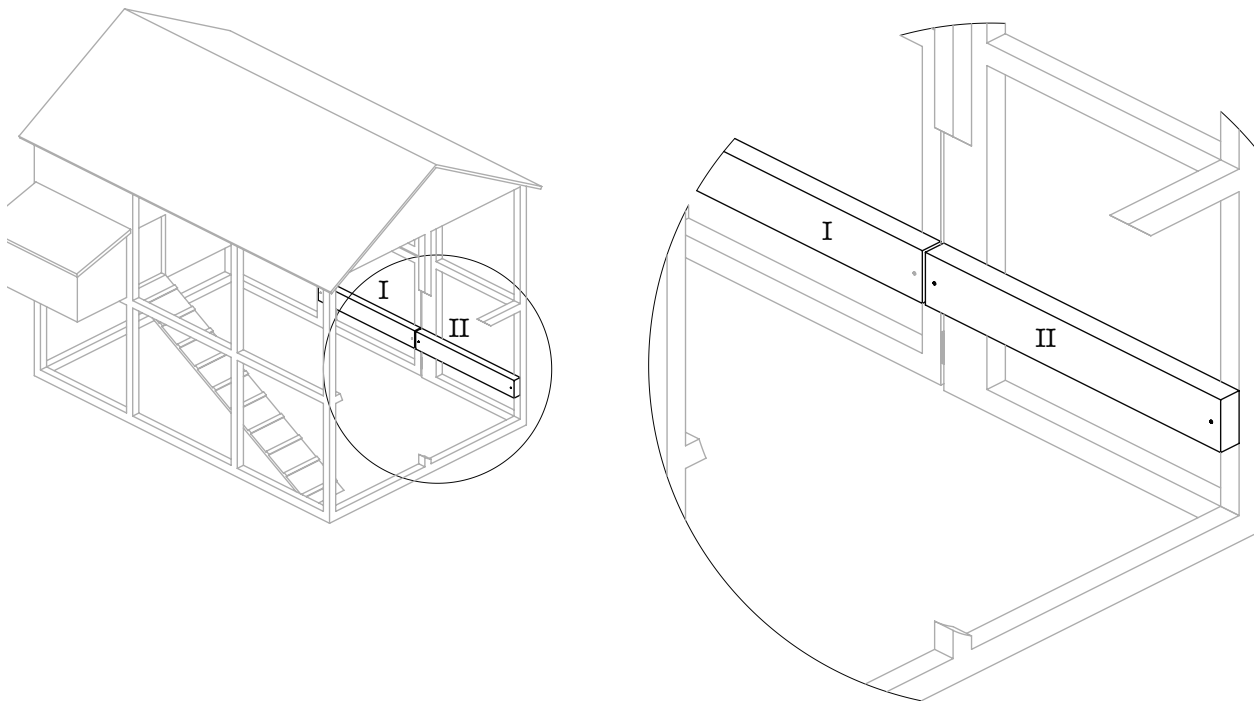
A. Measure, cut and attach wood 2x4 to the hinge side of the door opening on your coop. Install using included wood screws. Make sure 2x4 is attached at same height as inside coop door reinforcement.



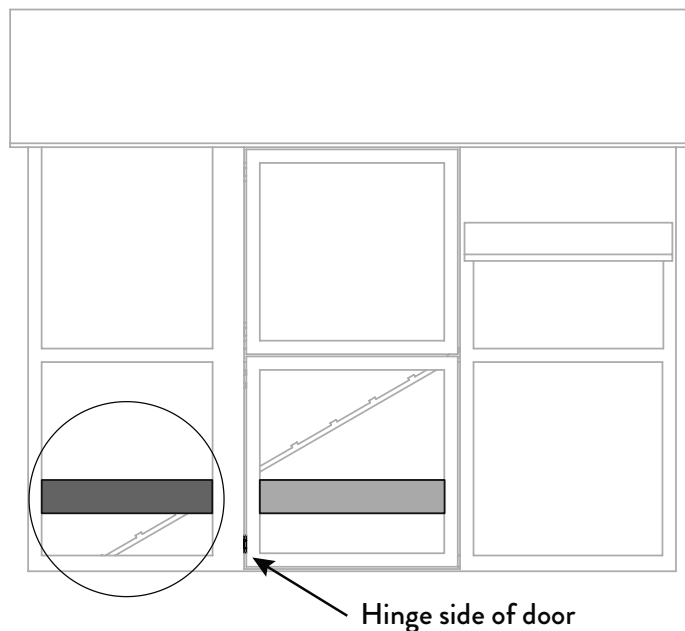
Cut a 2x4 (not provided) to the length indicated. Center on line "II" and attach using wood screws at each end.

Mark line "II" across inside of coop at the same height as the original line "I".

B.



C. Completed installation of reinforcing the frame on the coop door. Make sure that the coop door continues to swing freely.

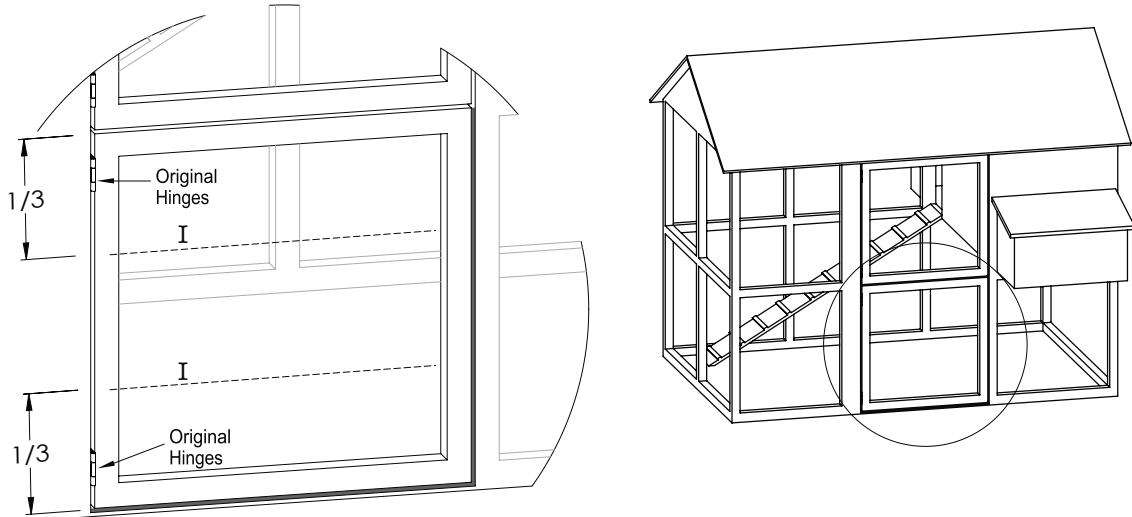


Inside coop door frame on hinge side will be reinforced now.

NOTE

IF YOUR COOP CAME WITH DOOR LATCHES OR CLASPS NOW IS THE TIME TO REMOVE THEM, BUT KEEP OLD HINGES IN PLACE AT THIS TIME. THIS WILL HELP STABILIZE DOOR UNTIL HARDWARE IS INSTALLED.

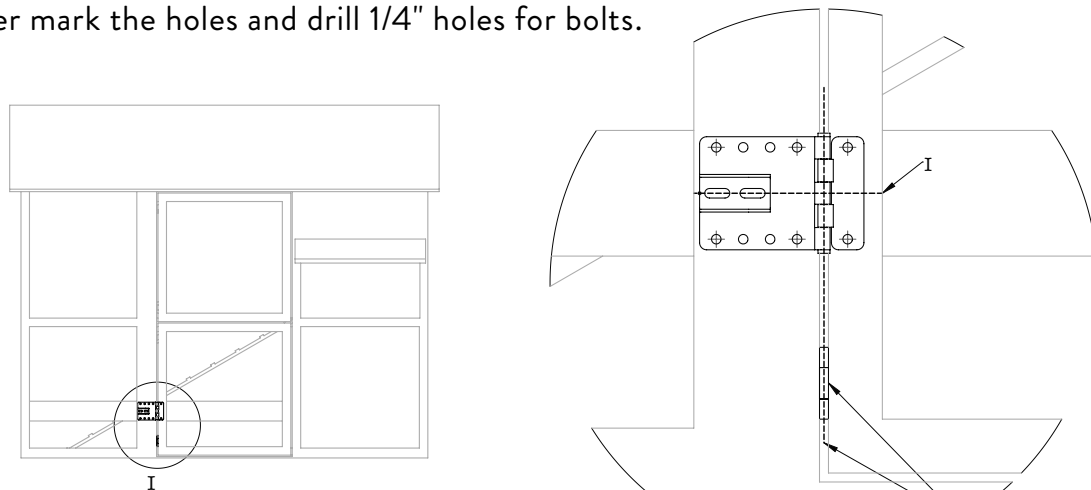
STEP 5. ATTACHING DOOR HINGES: WITH COOP DOOR CLOSED, MAKE A MARK 1/3 OF THE WAY FROM THE BOTTOM AND FROM THE TOP OF THE DOOR REMEMBER THE OLD HINGES WILL EVENTUALLY BE REMOVED, BUT NOT UNTIL STEP 8.



Marking the line "I" on the outside of the door at 1/3 of the door's height from the bottom and from the top of the door.

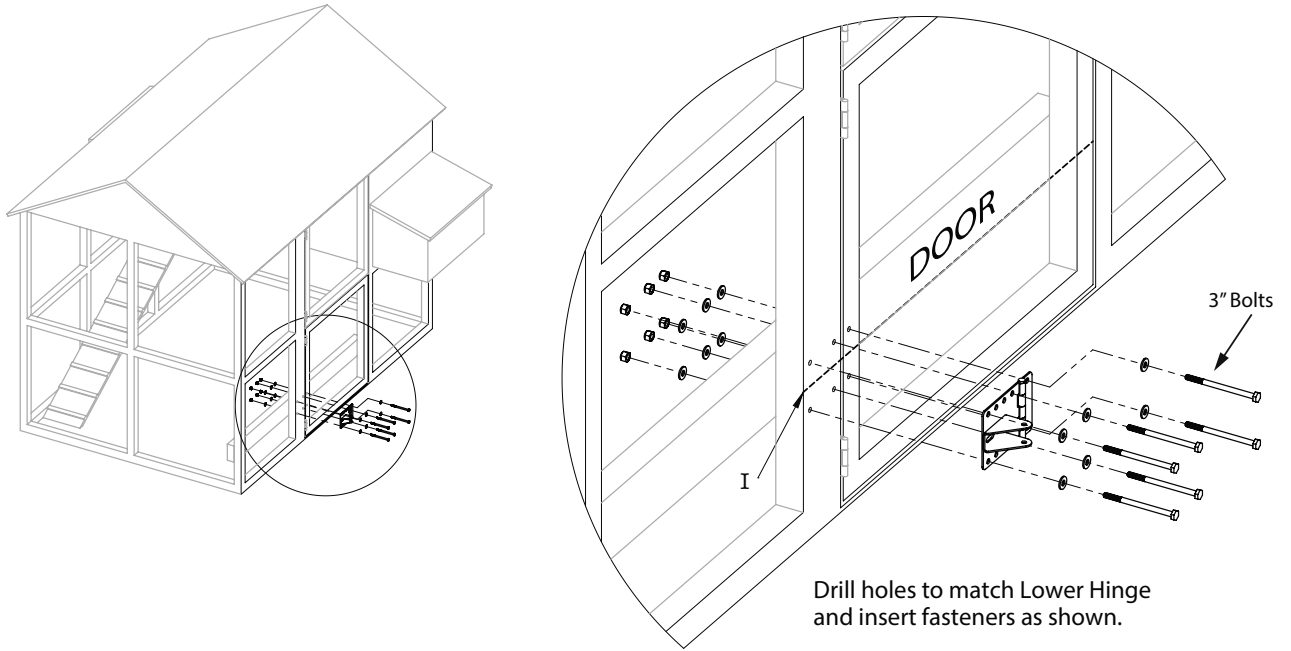
STEP 6. ALIGN LOWER SUPPORT HINGE THAT CAME WITH YOUR KIT TO THE HINGE SIDE OF THE COOP DOOR. MAKE SURE IT LINES UP WITH THE 2X4 YOU INSTALLED EARLIER.

A. Center mark the holes and drill 1/4" holes for bolts.

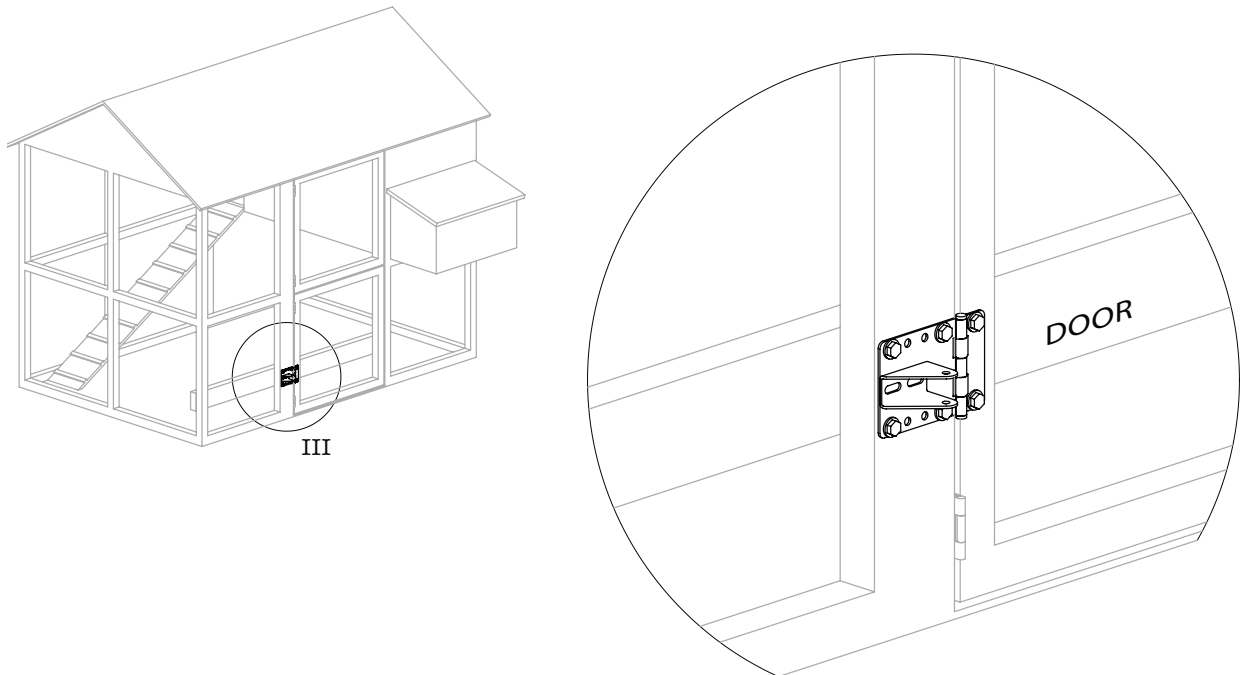


Align the Lower Hinge with Door Reinforcement (line I) and center the Lower Hinge on the door gap. Center-mark the holes and drill thru-holes using a 1/4" drill bit.

B. Once holes are drilled, install the lower support mount hinge. Use the provided thru hole bolts, washers, and use locknuts to ensure no movement of the door hardware.

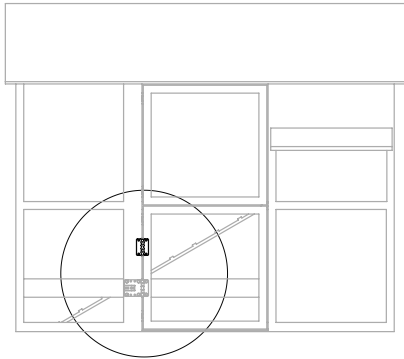


C. Completed installation of lower support mount hinge.

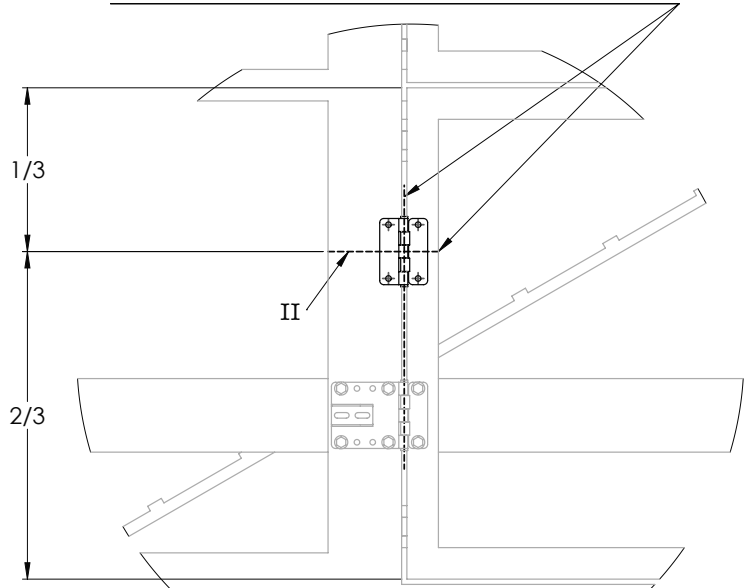


STEP 7. ALIGN AND INSTALL THE UPPER SUPPORT MOUNT HINGE ON THE HINGE SIDE OF COOP DOOR USING THE TOP 1/3 MARK YOU MARKED EARLIER.

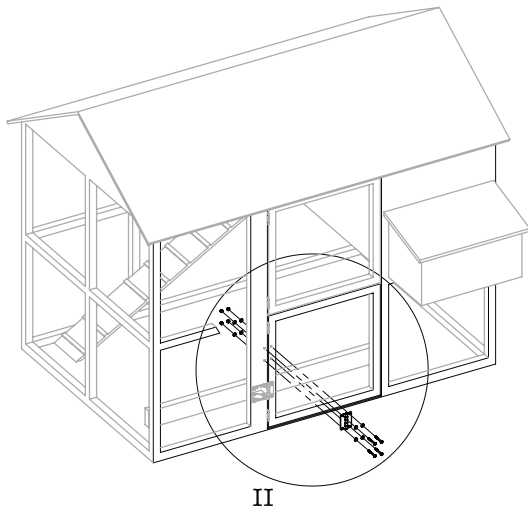
A. Center mark the holes and drill 1/4" holes for bolts.



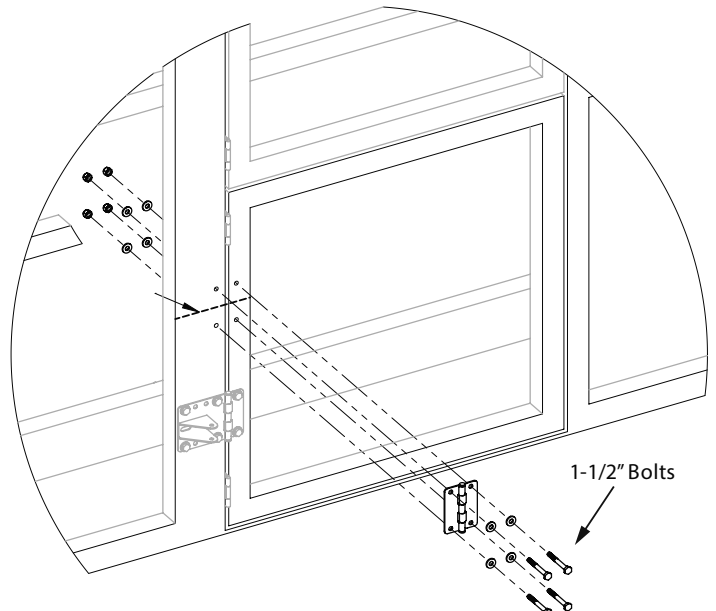
Mark line "II" 1/3 down from the top of the door as shown. Align the Upper Hinge on Line II and the center of the door gap. Centermark the holes and drill thru-holes using a 1/4" drill bit.



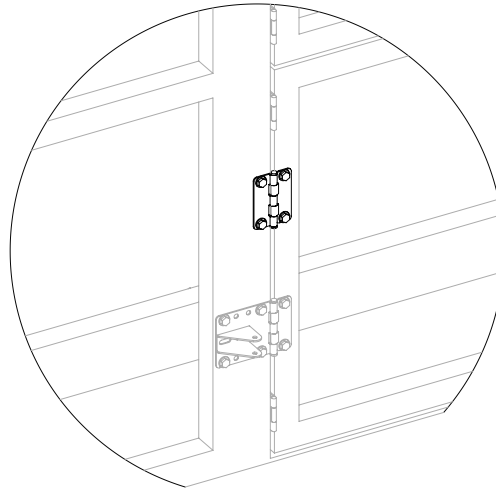
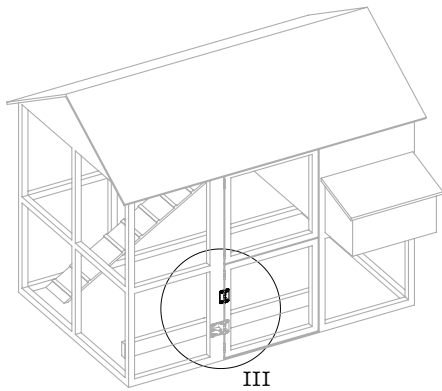
B. Once holes are drilled, install the upper support mount hinge. Use the provided thru hole bolts, washers, and use locknuts to ensure no movement of the door hardware.



Drill holes for Upper Hinge and insert fasteners as shown.

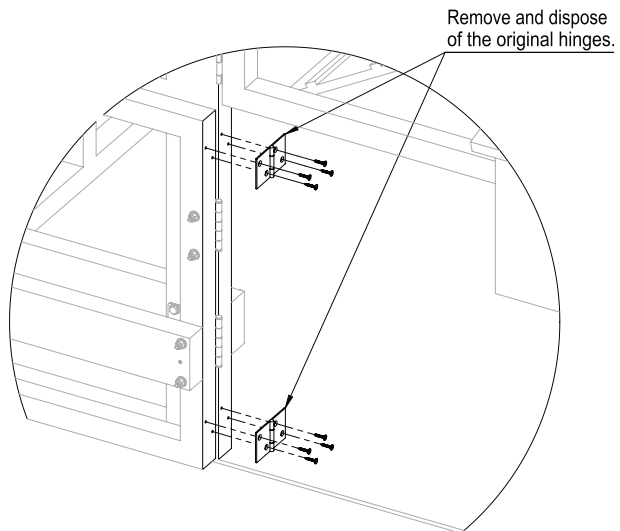
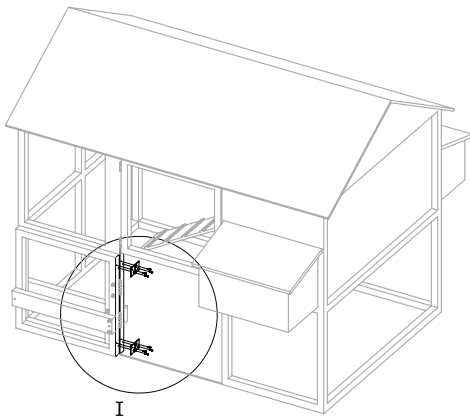


C. Completed installation of upper support mount hinge.

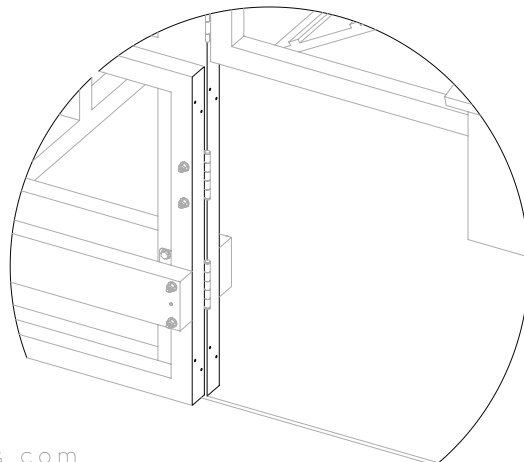
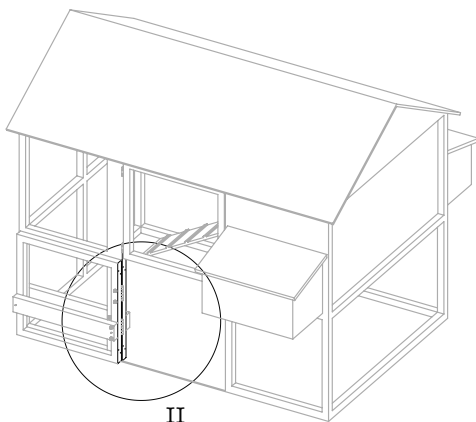


STEP 8. REMOVE ORIGINAL DOOR HINGES THAT WERE SUPPLIED WITH YOUR CHICKEN COOP. MAKE SURE DOOR SWINGS FREELY.

A.

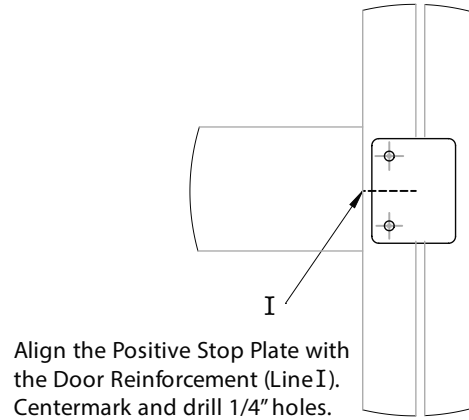
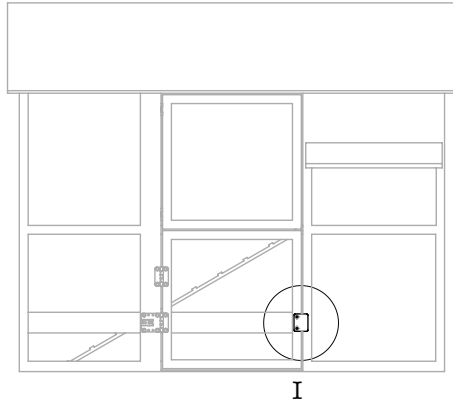


B. Completed removal of original coop door hinges. Make sure door swings freely.

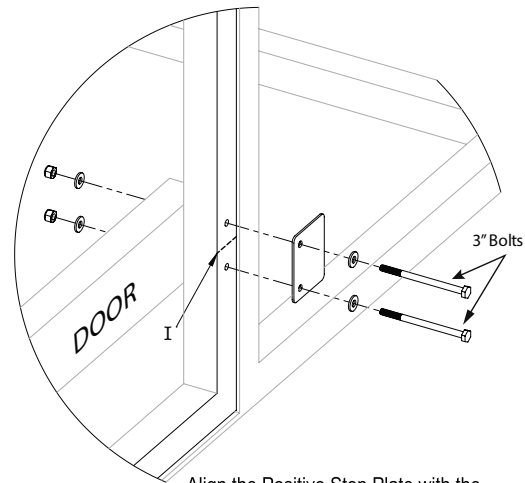
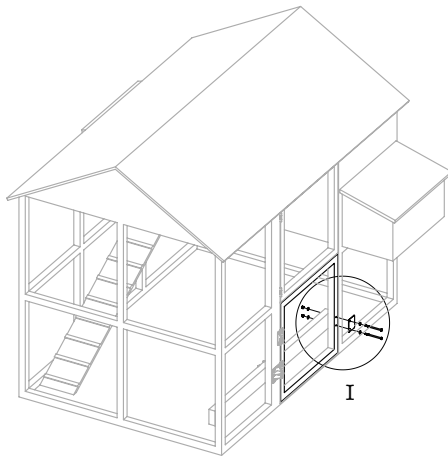


STEP 9. ADDING THE POSITIVE STOP PLATE.

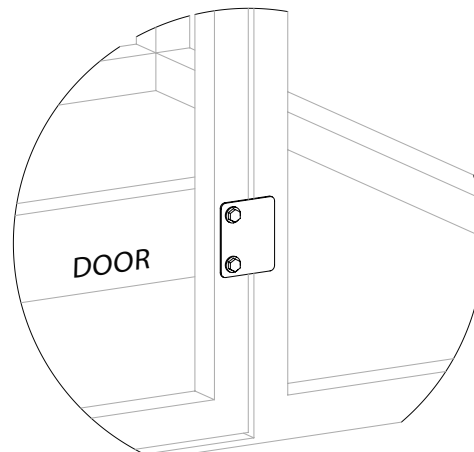
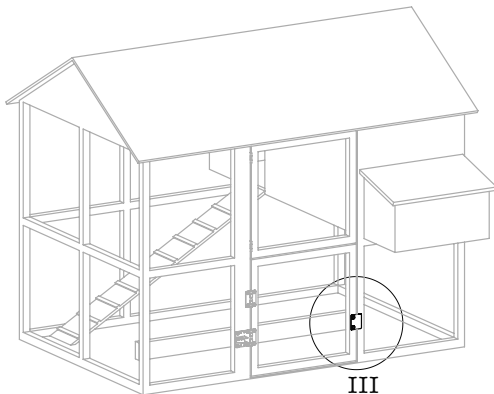
A. Make sure you align the positive stop plate with the 2x4 and lower support mounting hinge.



B. Center mark the holes and drill 1/4" holes for bolts. Assemble with bolts, nuts and washers in the kit.

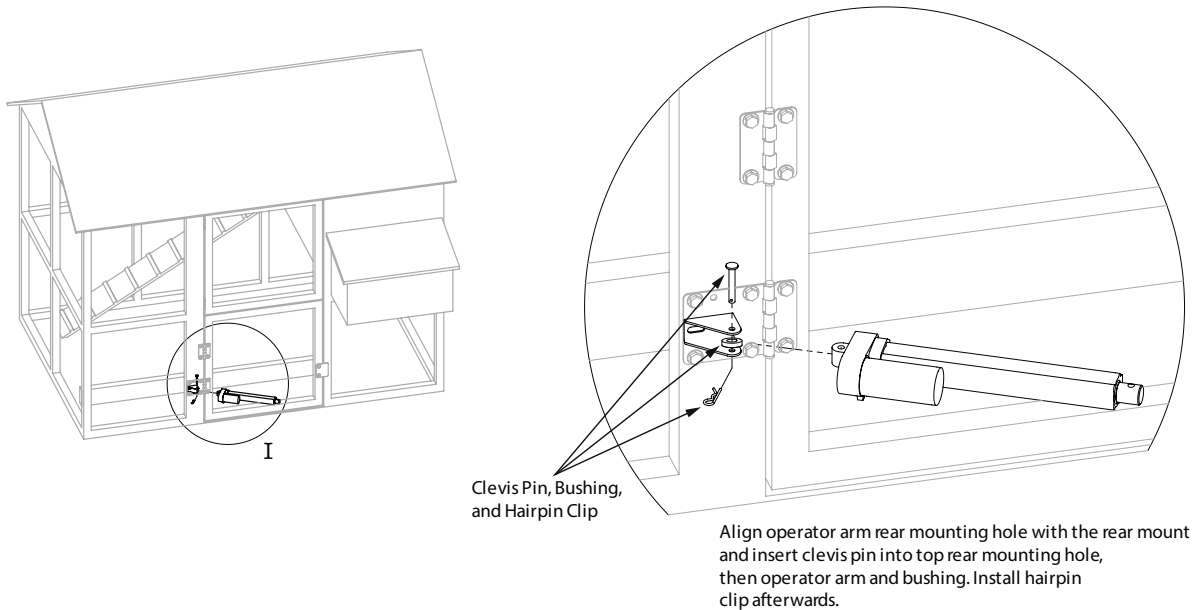


C. Completed installation of positive stop plate.

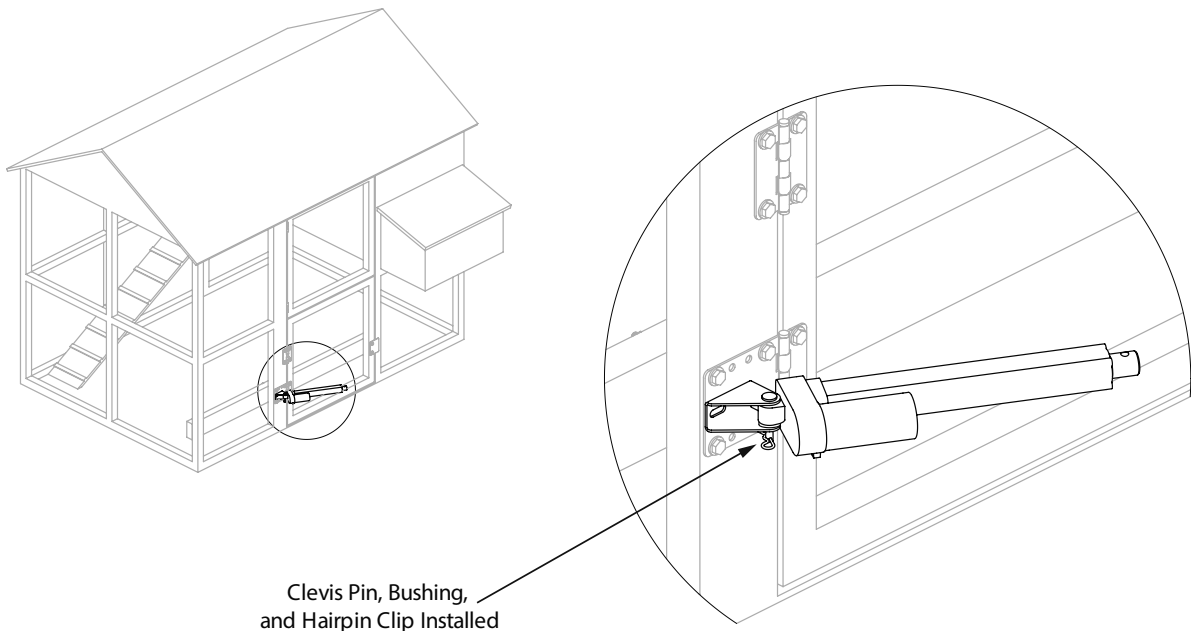


STEP 10. ATTACHING OPERATOR ARM ON COOP DOOR.

- A. Align operator arm rear mounting hole with the lower support hinge. Insert clevis pin, bushing and secure with hairpin clip.



- B. Completed attaching operator arm on coop door.

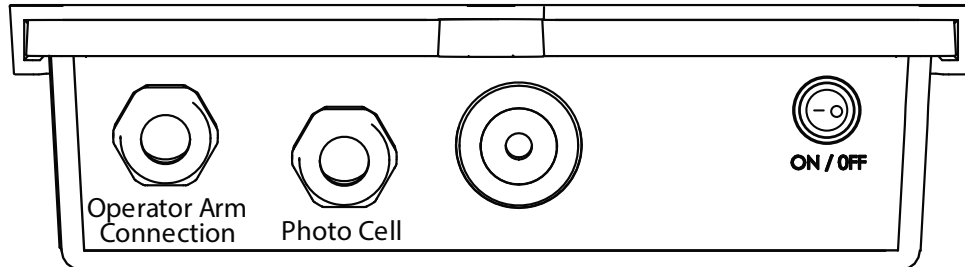


STEP 11. INSTALLING THE CONTROL BOX. (MUST BE MOUNTED AT LEAST 12" OFF THE GROUND)

NOTE

MAKE SURE THE ON/OFF SWITCH ON BOTTOM OF CONTROL BOX IS IN THE OFF POSITION BEFORE INSTALLING.

Close up view of bottom of battery box

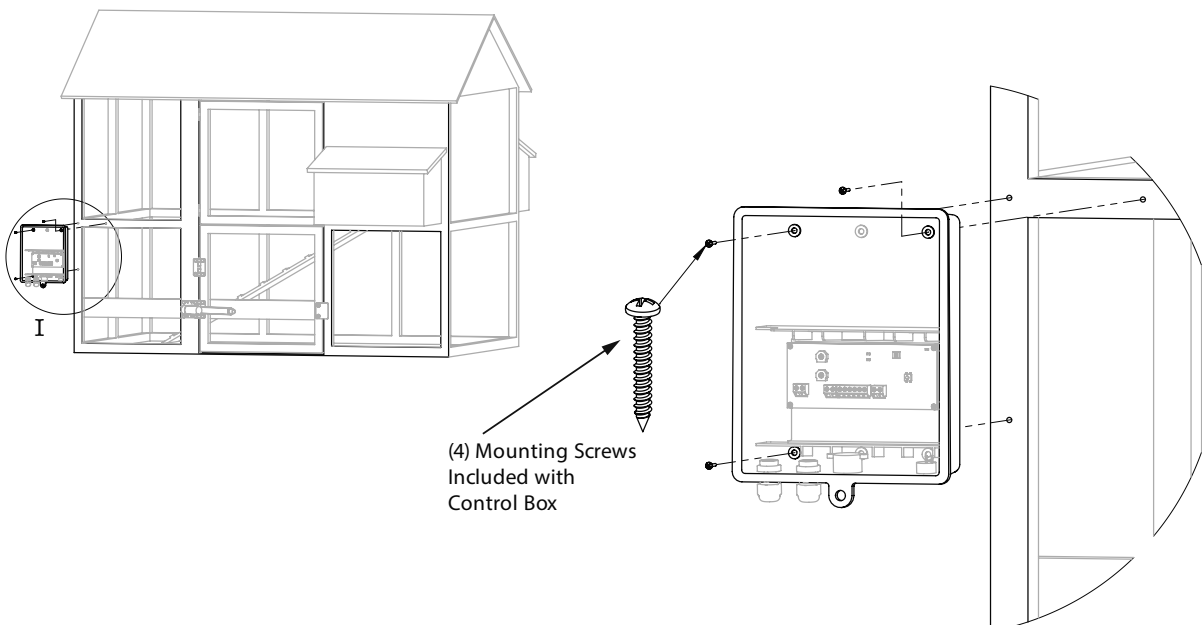


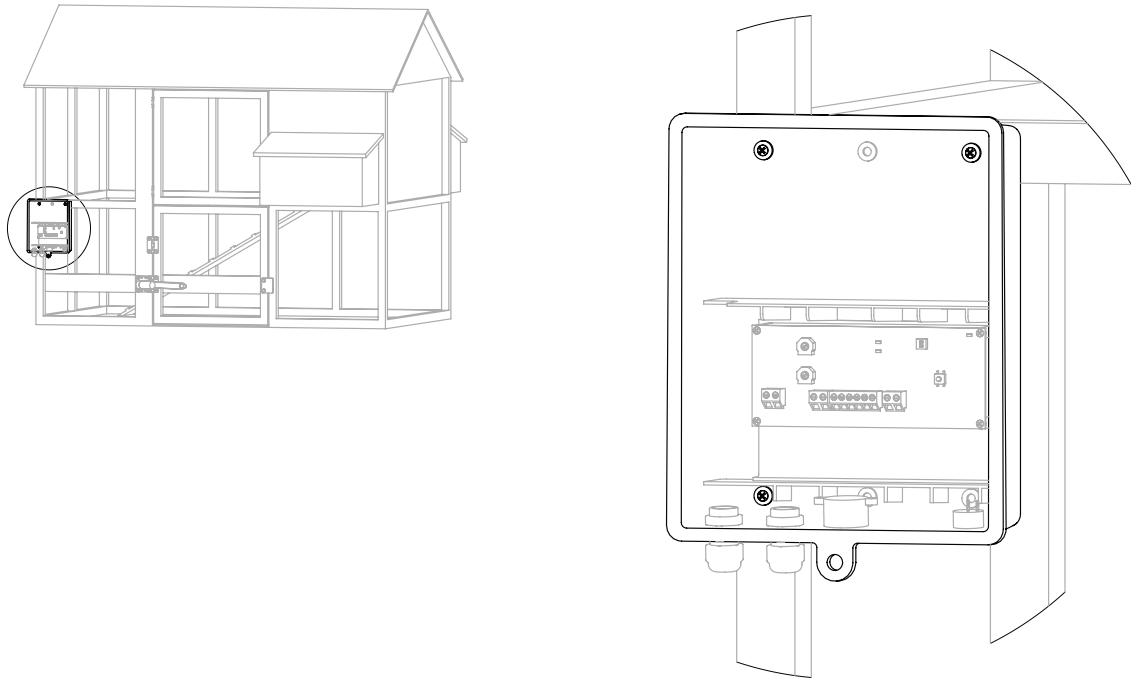
STEP 12. CHOOSE CONTROL BOX MOUNTING LOCATION. MUST BE MOUNTED 12" ABOVE THE GROUND AND ON THE HINGE SIDE OF THE DOOR ON COOP.

NOTE

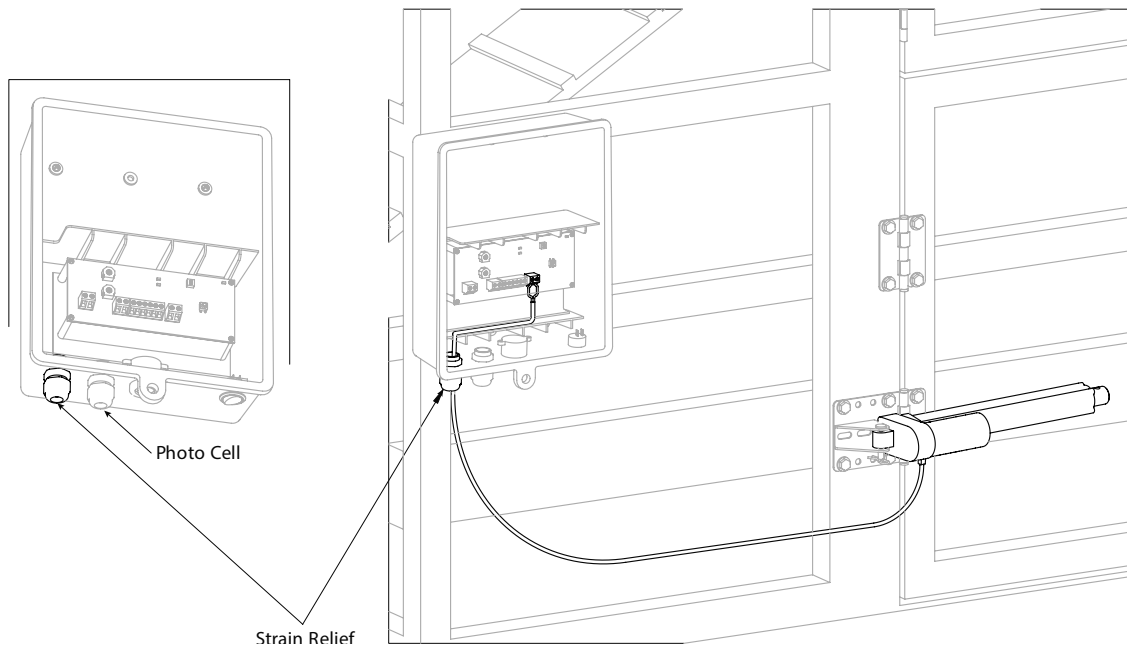
THE **CONTROL BOX NEEDS TO BE MOUNTED AT LEAST 12 INCHES ABOVE THE GROUND.** MAKE SURE THAT THE ARM CABLE REACHES AND ATTACHES INTO THE CONTROL BOX TERMINALS AND THAT THE CONTROL BOX LID CAN BE REMOVED. ALSO, **MAKE SURE THE PHOTOCELL IS IN AN OPEN LOCATION.**

- A. Pre-drill control box holes using 1/8" drill bit. **Using included wood screws, attach the control box to the coop.**

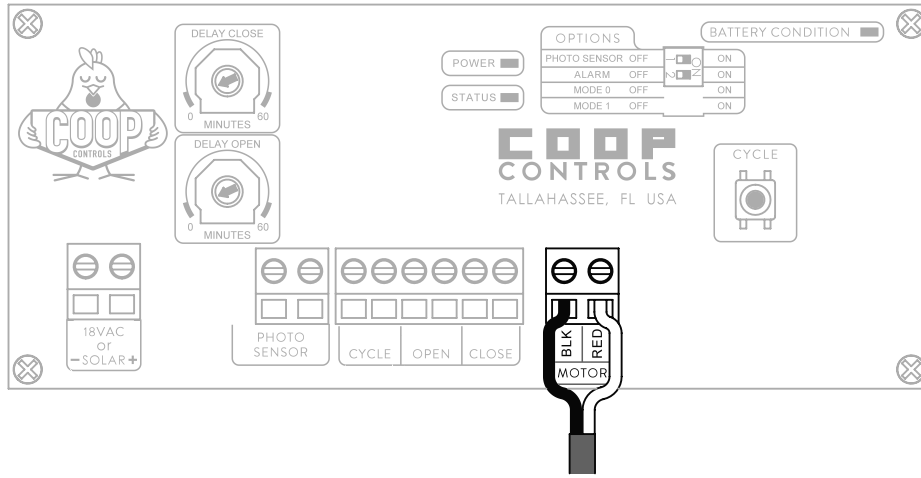


B. Completed installation of control box.

STEP 13. RUN CABLE FROM OPERATOR ARM UP THROUGH THE STRAIN RELIEF IN THE BOTTOM OF THE CONTROL BOX BEFORE ATTACHING THE WIRES TO THE TERMINALS.

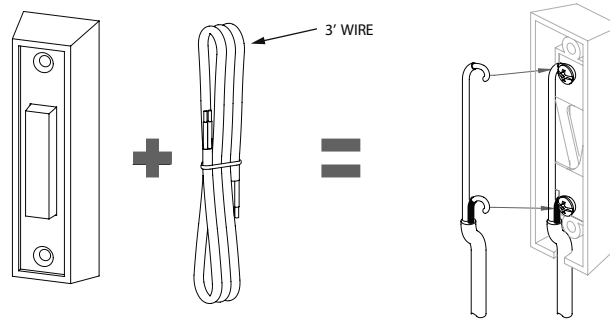


STEP 14. MAKE SURE CONTROL BOX IS OFF. NOW CONNECT THE ARM CABLE WIRES TO CONTROL BOARD. BLACK TO BLACK AND RED TO RED.

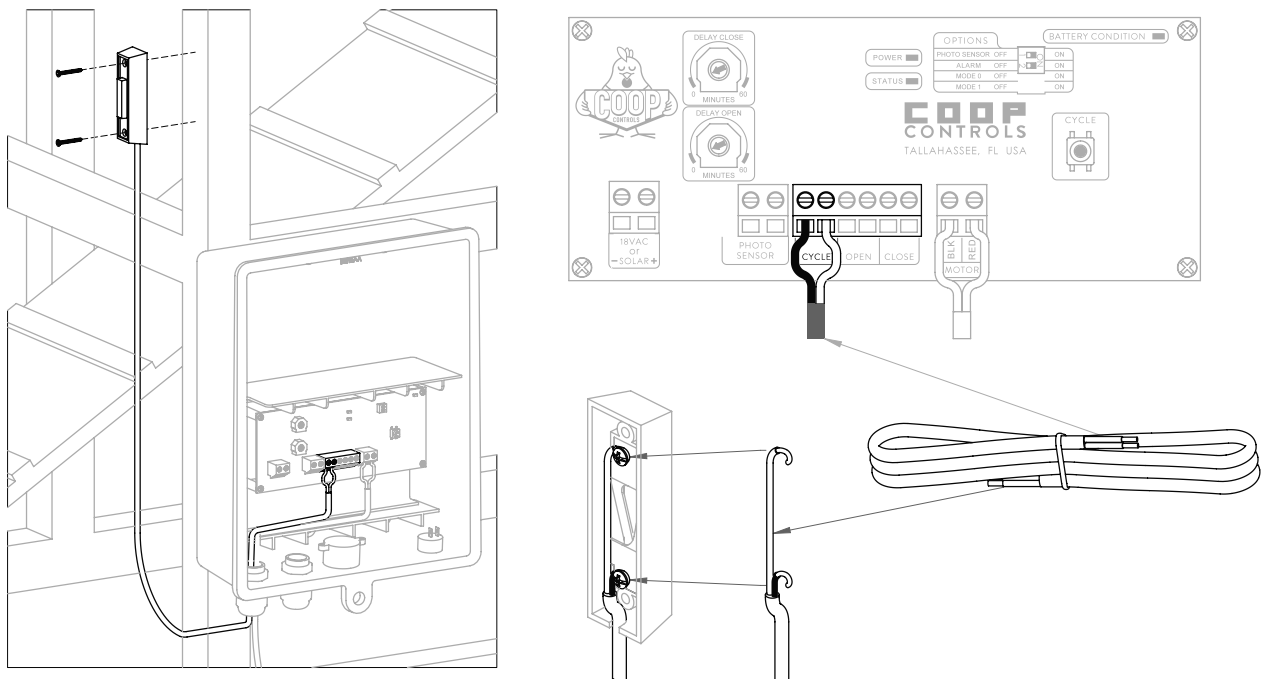


STEP 15. SELECT LOCATION AND INSTALL THE INCLUDED PUSH BUTTON AND CONNECT TO THE CONTROL BOARD.

A.



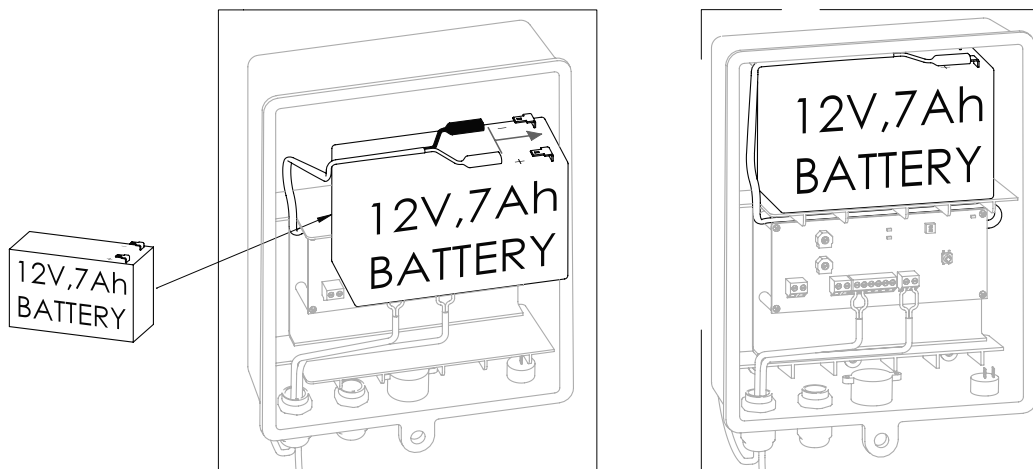
B.



STEP 16. CONTROL BOX IS OFF. YOUR COOP DOOR OPENER IS POWERED BY A 12V BATTERY. YOU CAN NOW INSTALL AND CONNECT THE BATTERY TO CONTROL PANEL. THE CONNECTIONS ARE ON TOP OF THE BATTERY (RED TO POSITIVE AND BLACK TO NEGATIVE TERMINAL)

NOTE

BATTERY IS CHARGED BY EITHER THE AC TRANSFORMER INCLUDED IN THE KIT OR OPTIONAL SOLAR PANEL.

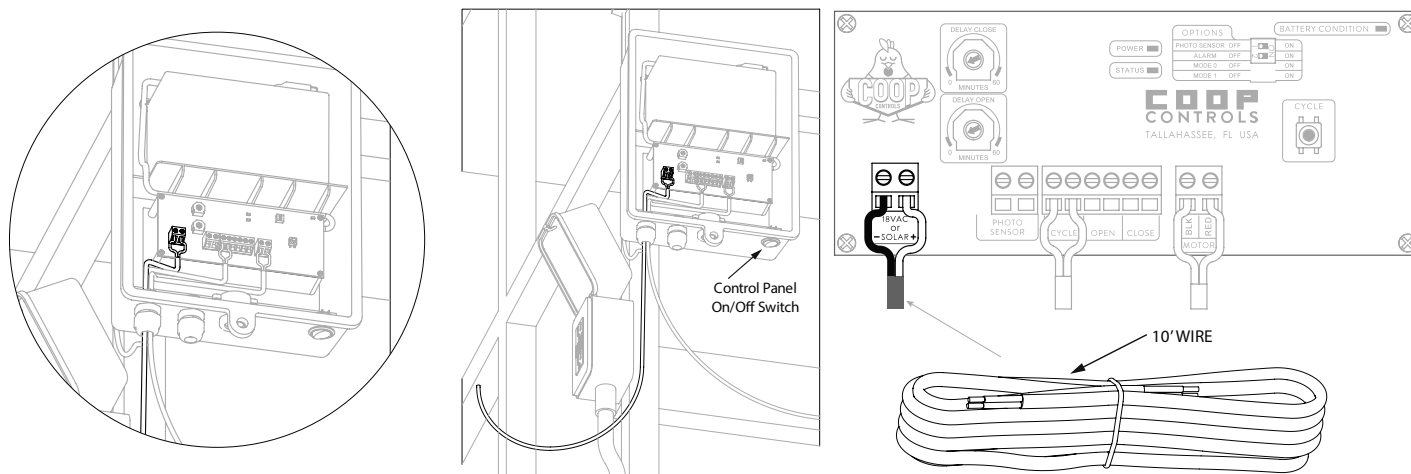


STEP 17. WIRING THE AC TRANSFORMER WITH THE INCLUDED 10 FOOT PIECE OF 16 GAUGE WIRE TO CONTROL BOARD. (PLEASE REFER TO PAGE 35 FOR SOLAR INSTALLATION)

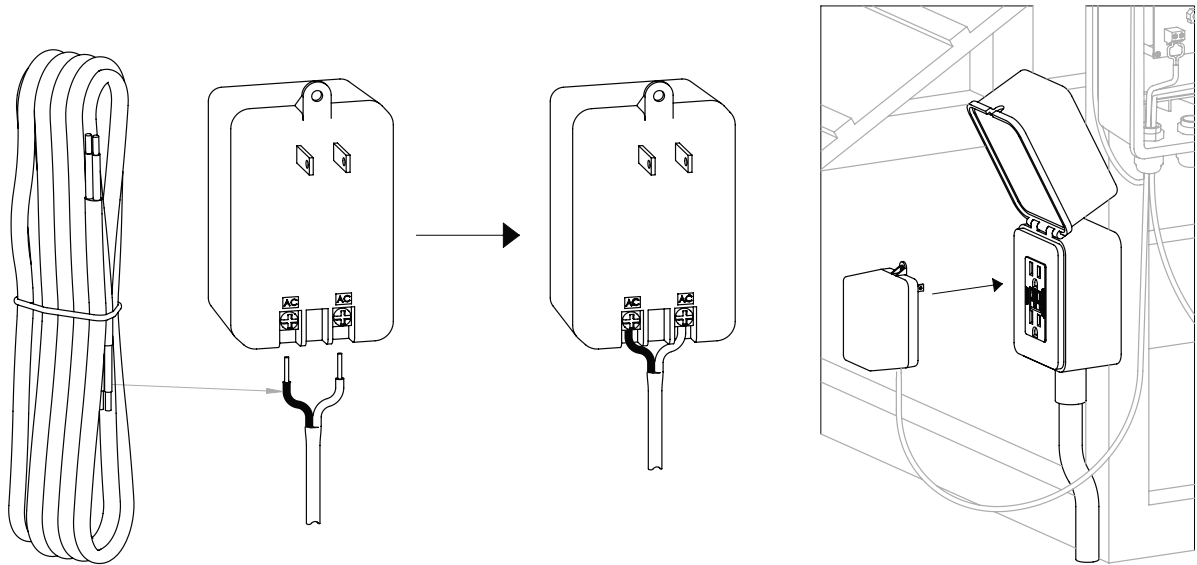
NOTE

YOU WILL NEED TO HOOK UP EITHER THE AC TRANSFORMER OR SOLAR POWER TO YOUR CONTROL BOX TO RECHARGE YOUR BATTERY! YOU CAN NOT USE BOTH.

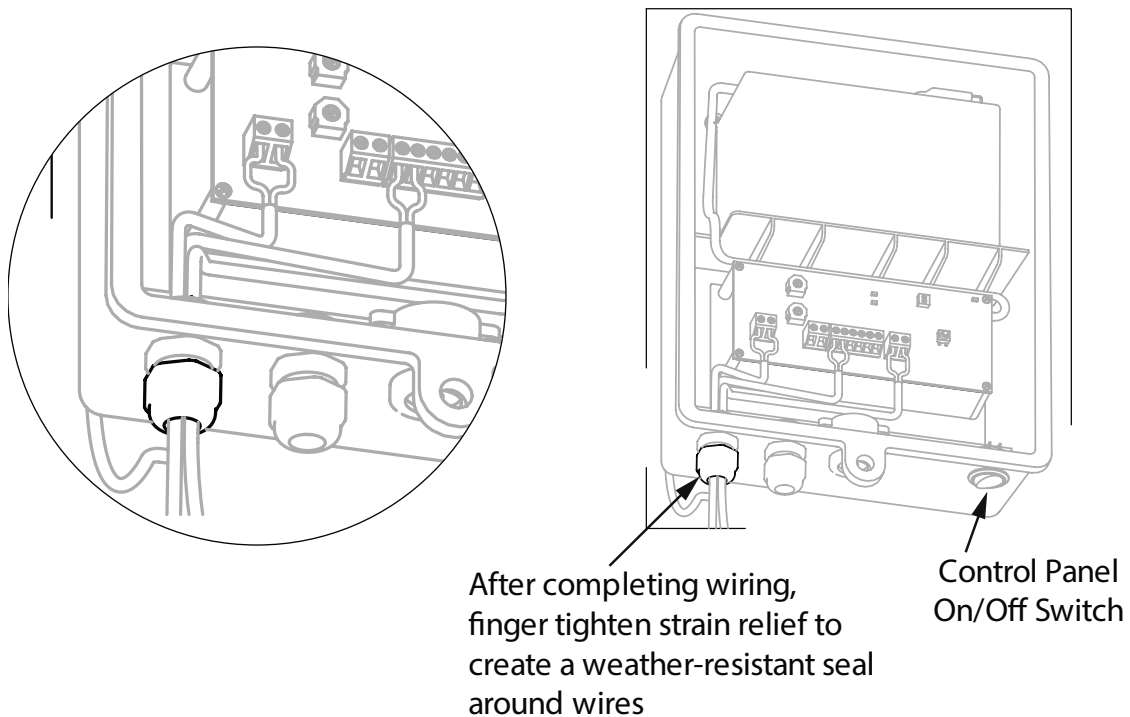
A. Connect the AC Transformer wires to the terminals in the control panel.



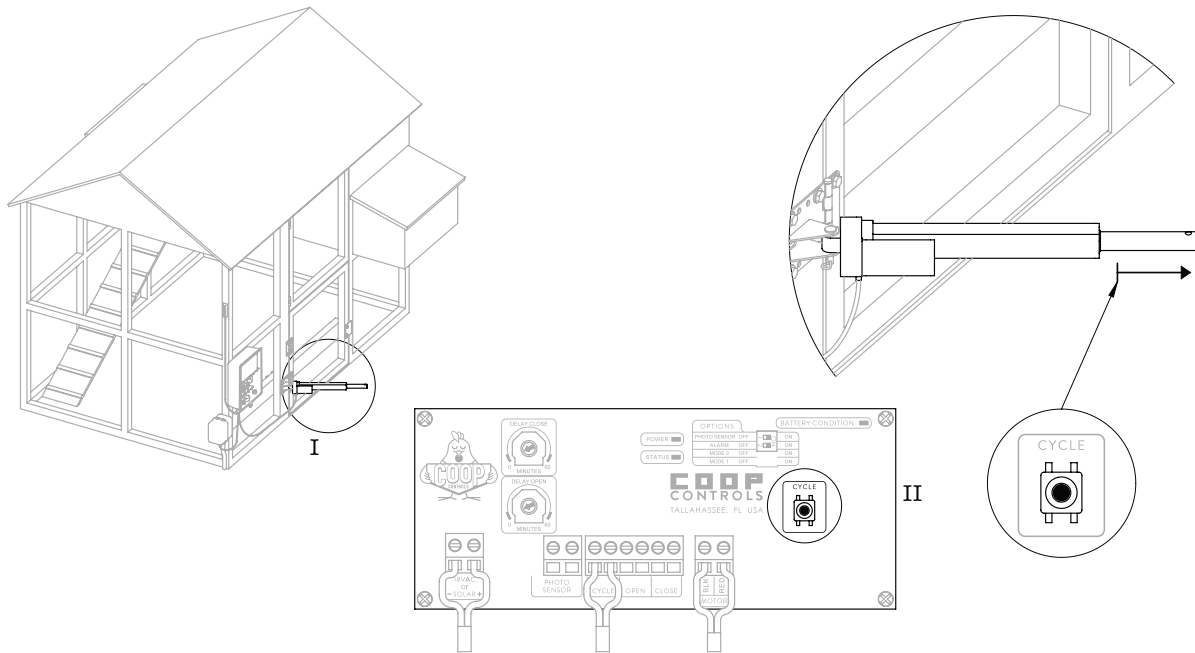
B. Connect wires to either side of the AC transformer (POLARITY IS NOT IMPORTANT BECAUSE IT IS UNIVERSAL).



C. Completed installation of AC transformer to the control box. Make sure to tighten strain relief to create a weather-resistant seal around the wires.



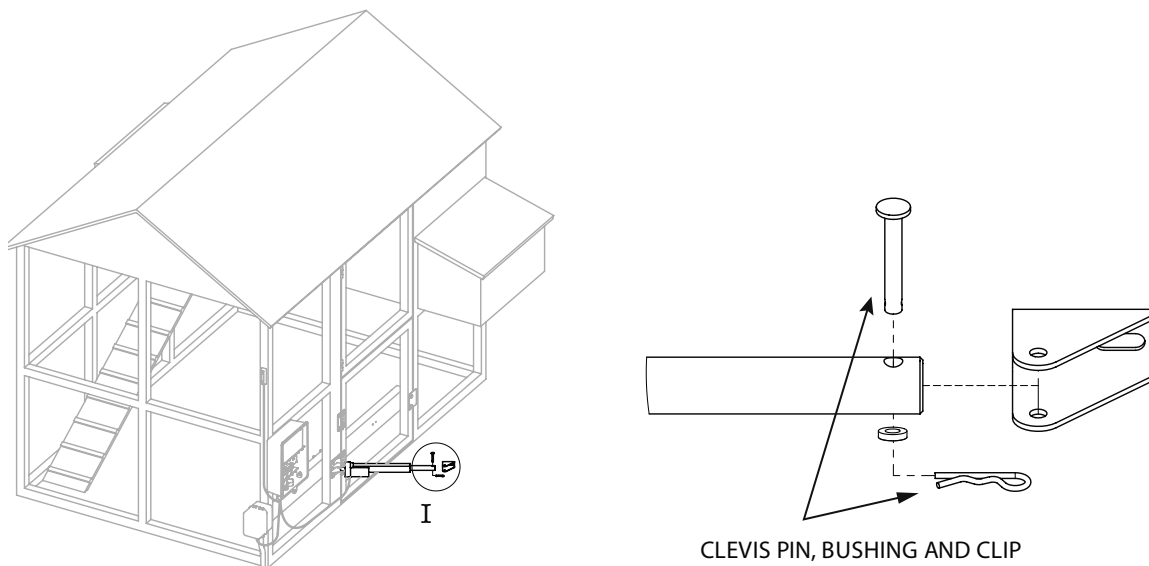
STEP 18. TURN SWITCH ON BOTTOM OF CONTROL BOX ON. PRESS AND RELEASE THE CYCLE BUTTON UNTIL THE ARM STOPS ON ITS OWN. ARM IS FULLY EXTENDED NOW.



STEP 19. TURN SWITCH ON BOTTOM OF CONTROL BOX OFF.

STEP 20. WITH OPERATING ARM STILL EXTENDED, PREPARE TO INSTALL THE OPERATOR ARM TO THE FRONT MOUNT BRACKET.

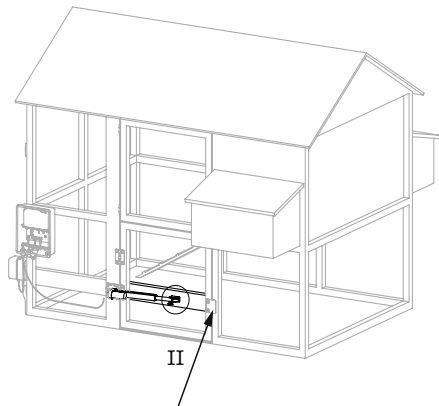
A. Attach front mount bracket to operator arm using the clevis pin, bushing and hairpin clip.



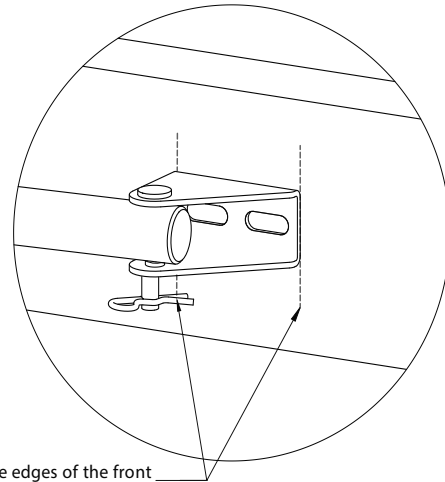
CLEVIS PIN, BUSHING AND CLIP

B. Make sure coop door is closed and firm to the frame.

C. Place front mount bracket (still connected to arm) against the coop door and mark the edges of the bracket.

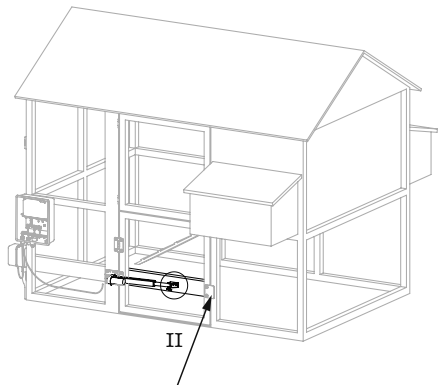


Hold at door reinforcement centerline and press firmly against door so positive stop plate is firm against frame

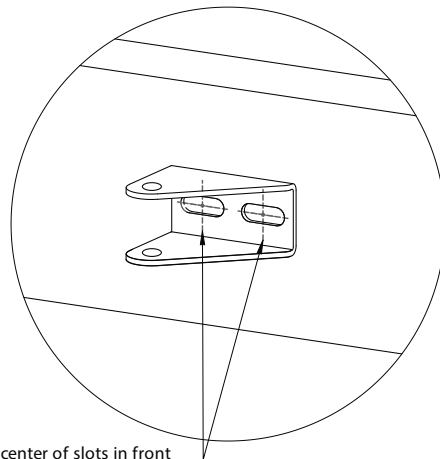


Mark the edges of the front mount bracket

D. Before drilling remove bracket from operator arm. Align bracket along edges drawn in last step and mark the center slots of the front mount bracket.

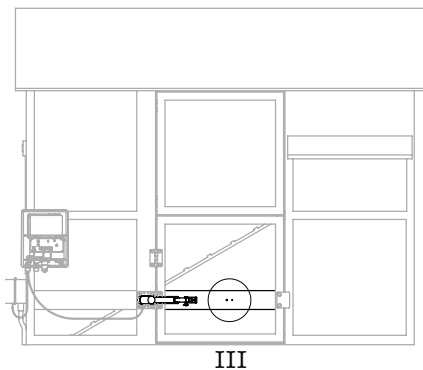


Hold at door reinforcement centerline and press firmly against door so positive stop plate is firm against frame

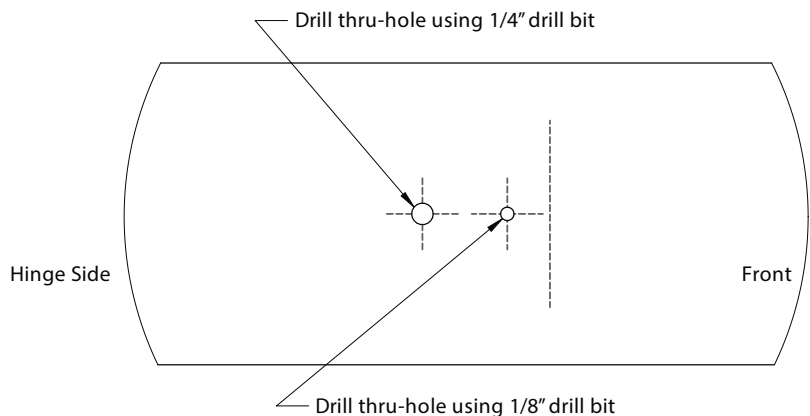


Mark center of slots in front mount bracket

E. Remove bracket and drill holes.



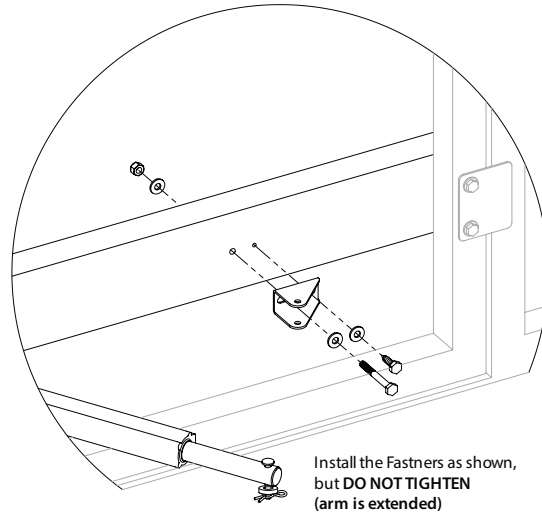
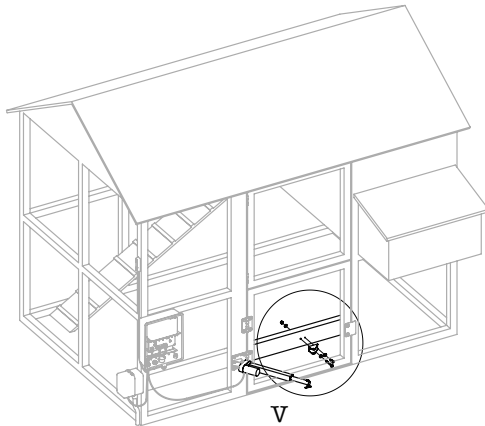
III



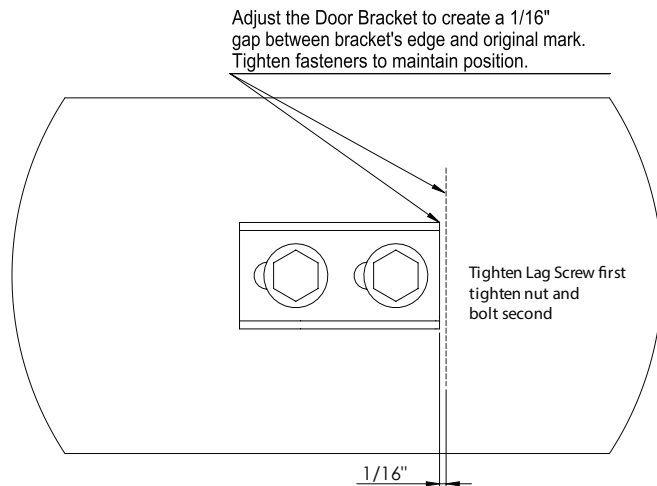
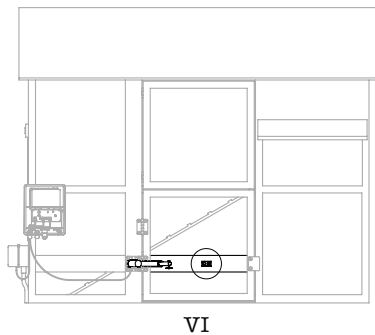
F. Attach the front mount bracket to the coop door using the lag bolt and lag screw. **DO NOT TIGHTEN DOWN AT THIS POINT!**

NOTE

BOLT SHOULD BE ON HINGE SIDE OF THE DOOR AND LAG SCREW ON THE STOP PLATE SIDE OF THE DOOR.

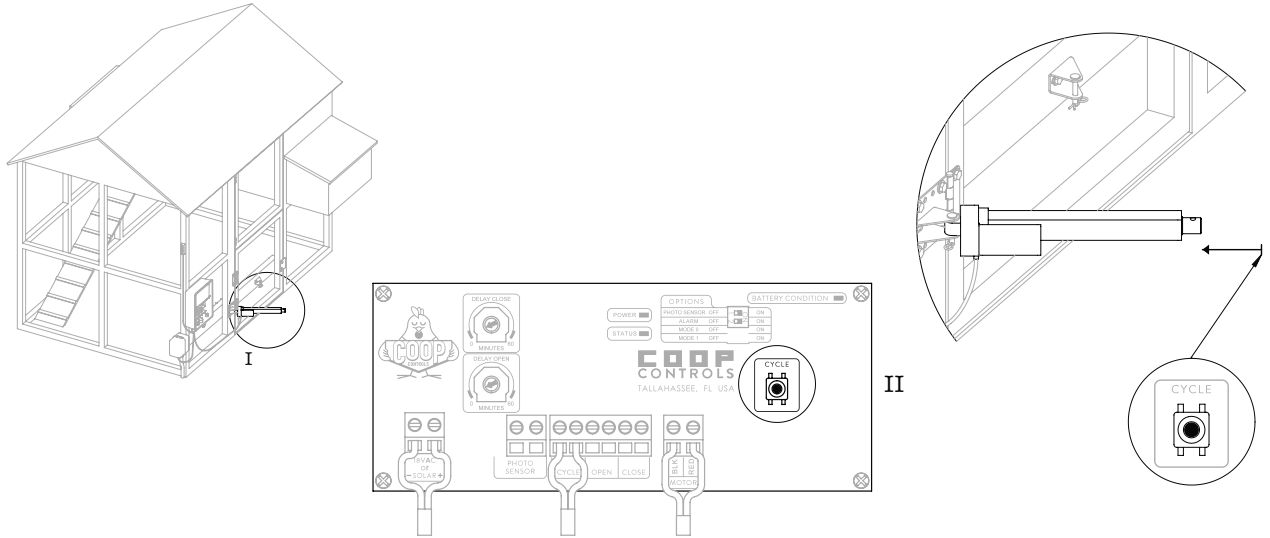


G. **ADJUST THE DOOR BRACKET BY SLIDING BRACKET CLOSER TO THE HINGE SIDE OF THE DOOR BY 1/16".** THIS WAY WHEN THE DOOR CLOSES IT WILL HAVE A NICE TIGHT FIT. NOW TIGHTEN LAG SCREW FIRST AND NUT AND BOLT SECOND.

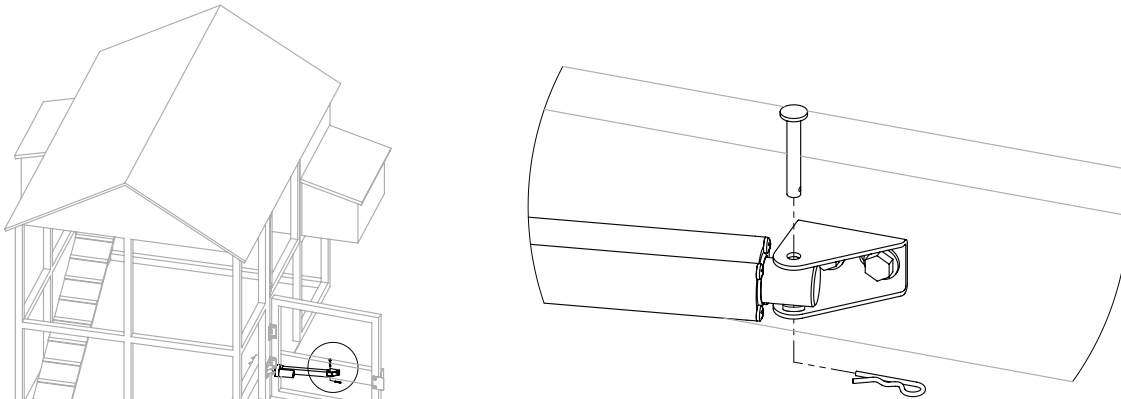


STEP 21. TURN SWITCH ON BOTTOM OF CONTROL BOX ON. PRESS AND RELEASE THE CYCLE BUTTON. ARM WILL RETRACT AND STOP ON ITS OWN.

A.

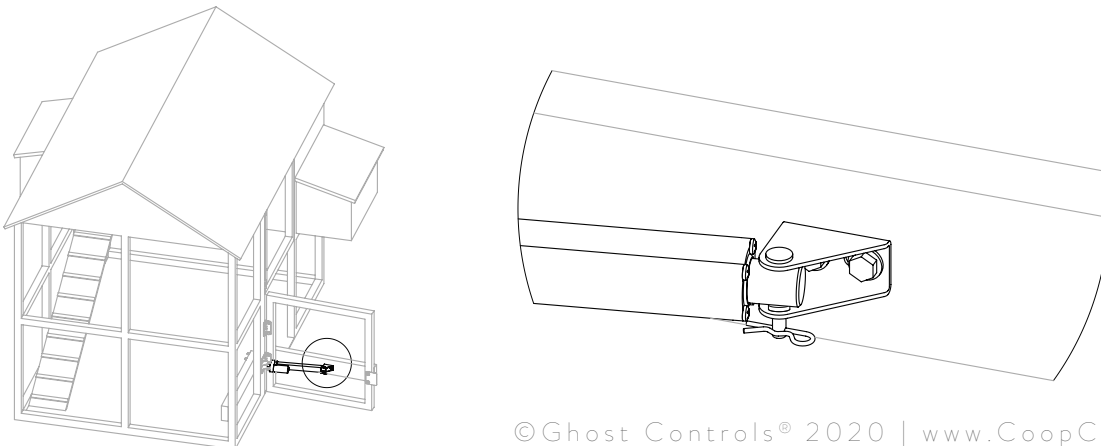


B. Open coop door and attach the front mount bracket to the operator arm using the clevis pin, bushing and then securing it in place with the hairpin clip.

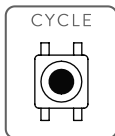


Retract Opener Arm and reinstall Clevis Pin and Bushing into the Front Mount, and install the Hairpin Clip.

C. Completed installation of operator arm to the front mount.



STEP 22. PRESS THE CYCLE BUTTON TO CLOSE THE DOOR AND IF NECESSARY, ADJUST THE FRONT MOUNT BRACKET PLACEMENT FOR A TIGHTER FIT.



STEP 23. BE SURE DOOR IS NOT RUBBING ON THE TOP, BUTTON OR SIDES. IF IT IS, YOU CAN TRIM OR SAND THE PERIMETER SO IT CLOSES EASILY.

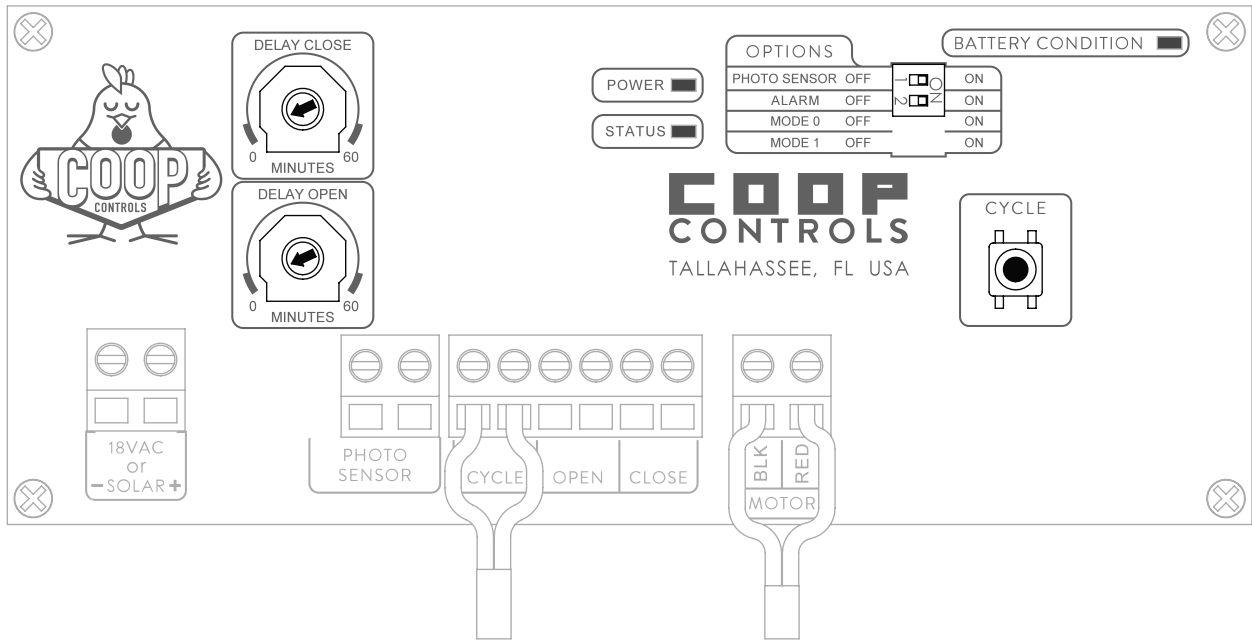
STEP 24. MONITOR COOP OPENER FOR A FEW DAYS TO MAKE SURE IT OPENS AND CLOSES AT THE TIME YOU WOULD LIKE. YOU CAN DELAY OPEN AND CLOSE SETTINGS UP TO 1 HOUR. SEE CONTROL PANEL SETTINGS AND CONTROLS SECTION.

NOTE

BE AWARE OF EXTERNAL LIGHT SOURCES SUCH AS, FLOOD LIGHTS, HEAT LAMPS, OR OVER-HEAD COOP LIGHTS. THEY CAN CAUSE YOUR SENSOR TO BELIEVE ITS STILL LIGHT ENOUGH OUTSIDE FOR THE COOP DOOR TO REMAIN OPEN. IF THIS CAUSES A PROBLEM AND CAN NOT BE AVOIDED PLEASE CONTACT US FOR EXTERNAL PHOTO CELL. YOU CAN MOUNT THIS PHOTO CELL WHERE IT WILL NOT BE AFFECTED BY ARTIFICIAL LIGHT.

CONTROL PANEL SETTINGS AND CONTROLS

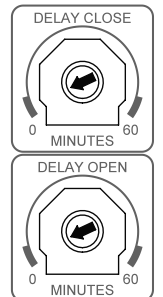
PERSONALIZING YOUR DOOR SETTINGS



NOTE
 IF YOU DO NOT ADJUST THE SETTINGS FOR DELAY OPEN AND DELAY CLOSE YOUR COOP DOOR WILL AUTOMATICALLY DETECT SUNRISE TO OPEN AND SUNSET TO CLOSE.

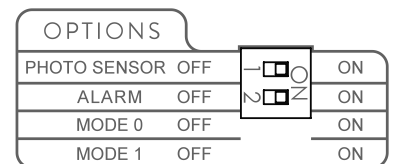
ADJUSTING SETTING FOR DELAY OPEN AND CLOSE.

PHOTO SENSOR (DIP SWITCH #1 MUST BE ON) You can add a time delay to your coop door from 0-60 minutes. The system is designed to automatically open and close the door when light level is equivalent to that of “SUNRISE” and “SUNSET”. Please observe the automatic open and closure of the coop door the first few mornings and evenings to see if adjustments need to be made. If the door opens or closes too early, you can delay these times for up to 60 minutes from either “SUNRISE” or “SUNSET”. Turning the dial clockwise increases the delay time. Turning the dial counter clockwise will decrease the delay time.



DIP SWITCH OPTION SETTINGS

There are two DIP Switches located on the main control board (shown) that must be positioned properly for your particular installation.



DIP#1: PHOTO SENSOR

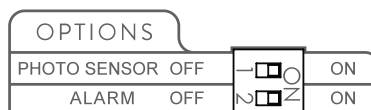


NOTE

THE PHOTO SENSOR DIP SWITCH CONTROLS THE AUTOMATIC OPERATION OF THE COOP DOOR OPENING AT SUNRISE AND CLOSING AT SUNSET.

DIP Switch #	OFF Position	ON Position (FACTORY DEFAULT)
1	Photo sensor is disabled. (manual operating mode with push button inputs only)	Photo sensor is enabled. (auto closing at sunset and auto opening at sunrise.)

DIP#2: ALARM



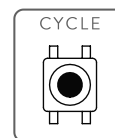
NOTE

THE ALARM DIP SWITCH SENDS OUT A BEEP STARTING 1 MINUTE BEFORE THE DOOR STARTS CLOSING.

DIP Switch #	OFF Position	ON Position (FACTORY DEFAULT)
2	Alarm for auto close warning is disabled. (no sound)	Alarm for auto close warning is enabled. (Alarm will start beeping at 1 minute before closing)

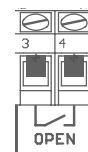
CYCLE INPUT: CONTROL BOARD CYCLE BUTTON OR PUSH BUTTON FOR MANUAL OPEN / CLOSE OPERATION

- Each manual activation will cycle the door's operation. Ex: Pressing the Cycle Button or the Push button when the door is open, will close the coop door.
- If Photo Sensor is enabled (DIP #1=ON):
 - a. When **MANUALLY OPENED** the Door will **AUTOMATICALLY CLOSE** after 2 minutes (it it's dark outside)
 - b. When **MANUALLY CLOSED** the Door will **REMAIN CLOSED** (even it it's light outside)



OPEN INPUT: EXTERNAL INPUT FOR MANUAL OPERATION

- a. Each momentary activation will **OPEN** the door
- b. Continuous activation (shorted) will keep the door **OPEN**
- c. **THIS INPUT OVERRIDES THE PHOTO SENSOR**



CLOSE INPUT: EXTERNAL INPUT FOR MANUAL OPERATION

- a. Each momentary activation will **CLOSE** the door
- b. Continuous activation (shorted) will keep the door **CLOSED**
- c. **THIS INPUT OVERRIDES THE PHOTO SENSOR**



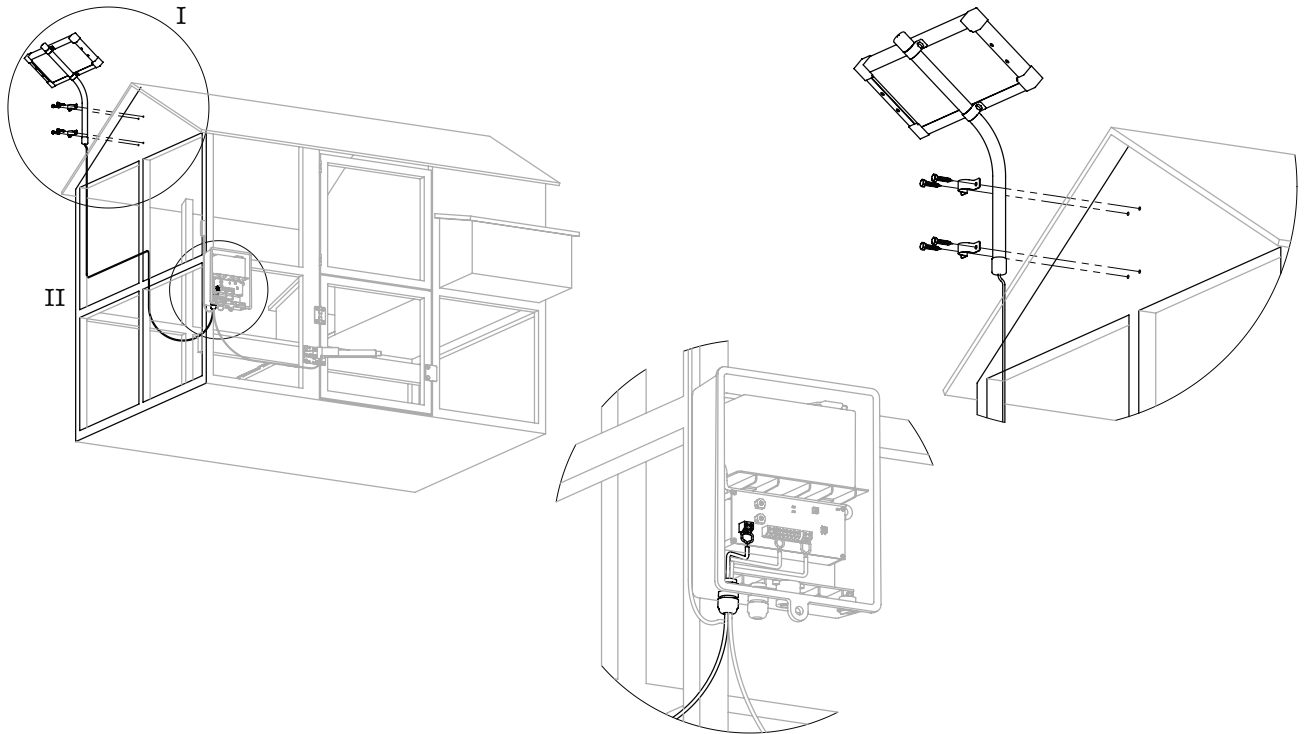
OPTIONAL ACCESSORIES

AXDP SOLAR PANEL KIT

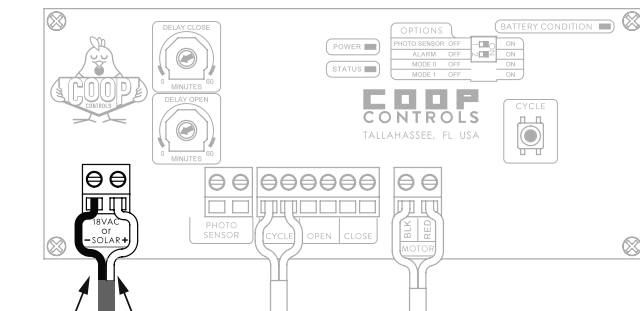
NOTE

DO NOT USE AC TRANSFORMER WITH SOLAR PANEL (CAN NOT CONNECT SOLAR AND AC TRANSFORMER AT THE SAME TIME).

A. Make sure solar panel faces due south.

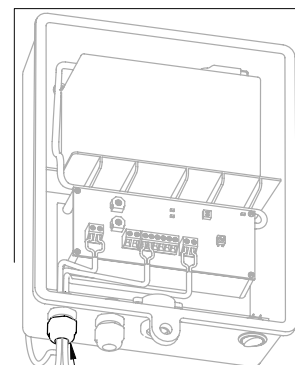


B.



Hooking up solar panel wires to control board

Black Wire to (-)
Red Wire to (+)



After completing wiring, finger-tighten strain relief to create a weather-resistant seal around wires.

TROUBLESHOOTING

LED INDICATORS-All LEDs Except Power Will Turn Off After 1 Minute of Inactivity

CBQ6BA 2018-03

○ = OFF ● = ON ⚙ = BLINKING

<p>POWER LED (GREEN)</p> <ul style="list-style-type: none"> ● = Input Power Present ⚙ > 1 → Blink Per Second = Operating on Battery 	<p>STATUS LED (RED)</p> <ul style="list-style-type: none"> ⚙ = Blink Once → Input Change Detected ⚙ = Blinking → Photo Sensor is Changing 	<p>BATTERY CONDITION LED (YELLOW)</p> <ul style="list-style-type: none"> ● = ON → Good Battery ⚙ = 1 Blink Per 2 Seconds → Low Battery ⚙ = 2 Blinks Per 1 Second → Critically Low Battery ○ = OFF → NO Activity for 1 Minute in Battery Only Mode
---	--	--

DIP SWITCH SETTINGS FOR OPTIONS ON CONTROL BOARD

DIP #1 OFF = Photo Sensor is disabled (manual operating mode with push button inputs only)

DIP #1 ON = Photo Sensor is enabled (auto closing at **SUNSET** and auto opening at **SUNRISE**), **FACTORY DEFAULT**

DIP #2 OFF = Alarm for auto close warning is disabled

DIP #2 ON = Alarm for auto close warning is enabled. Alarm will start beeping at 1 minute before closure, **FACTORY DEFAULT**



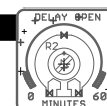
DELAY CLOSE: 0-60 MINUTES

Time delay before automatic door closing when “**SUNSET**” is detected. Adjustable between 0 - 60 Minutes.

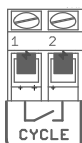


DELAY OPEN: 0-60 MINUTES

Time delay before automatic door opening when “**SUNRISE**” is detected. Adjustable between 0 - 60 Minutes.

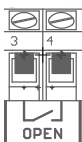


CYCLE INPUT: ON BOARD PUSH BUTTON OR EXTERNAL INPUT FOR MANUAL OPERATION



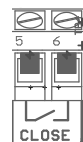
- Each momentary activation will cycle the door’s operation: EX: OPENING > STOP > CLOSING > STOP > OPENING....
- If Photo Sensor is enabled (DIP #1 = ON):
 - When **MANUALLY OPENED** the Door will **AUTOMATICALLY CLOSE** after 2 minutes (if it’s dark outside)
 - When **MANUALLY CLOSED** the Door will **REMAIN CLOSED** (even if it’s light outside)
 - Normal automatic operation will resume on the next **SUNRISE = OPEN** or **SUNSET = CLOSE**

OPEN INPUT: EXTERNAL INPUT FOR MANUAL OPERATION



- Each momentary activation will **OPEN** the door
- Continuous activation (shorted) will keep the door **OPEN**
- This input overrides the Photo Sensor

CLOSE INPUT: EXTERNAL INPUT FOR MANUAL OPERATION



- Each momentary activation will **CLOSE** the door
- Continuous activation (shorted) will keep the door **CLOSED**
- This input overrides the Photo Sensor

AUDIBLE ALARM INDICATIONS

Arm Connection

5 Beeps and the Status LED Light Flashes RED, every 10 seconds = Arm is not detected after two attempts

7 Beeps and the Status LED Light Flashes RED, every 10 seconds = Arm is jammed and has ran for more than 20 seconds without reaching its limits

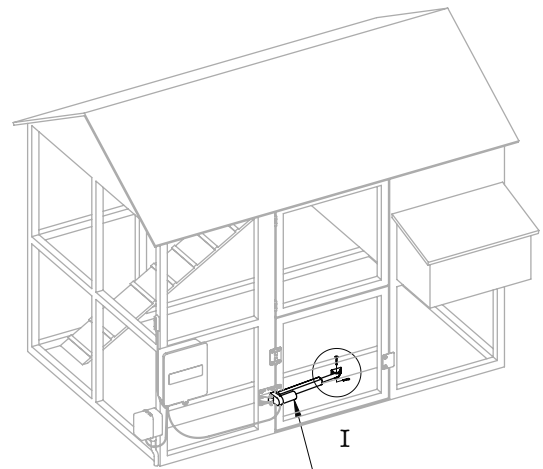
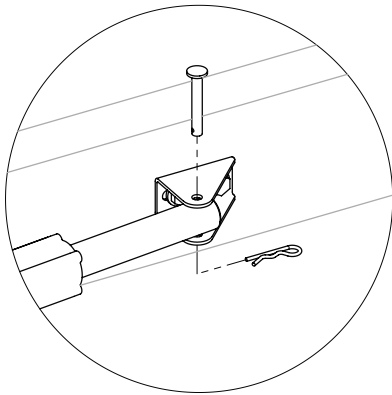
MANUAL COOP DOOR OPERATION

■ EVERY USER MUST KNOW THESE STEPS

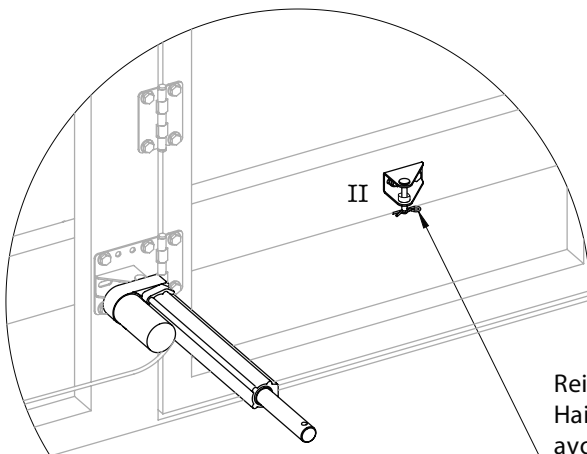
The coop door can be opened or closed manually by releasing the front mount from the coop door.

You must disconnect the door operator only after the operator power switch is OFF and the door is NOT moving.

1. Move the door operator control box switch to the off position. **THE DOOR OPERATOR IS BATTERY POWERED SO UNPLUGGING THE AC TRANSFORMER DOES NOT TURN THE POWER TO THE DOOR OPERATOR OFF.**
2. Remove the hairpin clip, bushing, and clevis pin from the FRONT mount of the door operator.
3. Swing the door operator out of the way of the coop door.
4. Swing the coop door to the fully open position and temporarily secure it to prevent the door from freely swinging.



After removing Clevis Pin, Bushing and Hairpin from Door Bracket, swing operator away from the door.



Reinstall Clevis Pin, Bushing and Hairpin into Door Bracket to avoid loss or misplacement.



1 YEAR WARRANTY

MAIL-IN WARRANTY

NOTE
Please fill out the form below and mail in to us at Ghost Controls 1572 Capital Circle NW, Tallahassee, FL 32303

First Name: _____ Last Name: _____

Street: _____ Apt. #: _____

City: _____ State: _____ Zip: _____

Phone Number: _____ Email Address: _____

Items and Date Purchased: ***PLEASE INCLUDE COPY OF RECEIPT.**

- CKBT Coop Opener System Kit
- AXBT 12-Volt Sealed Lead Acid Battery
- AXDP 10-Watt Monocrystalline Solar Panel
- AXLV Low Voltage Wire "100', 500', 1000'"

Date of Purchase for System _____

Where did you buy your coop opener system?

Type of coop you are using?

- Store Bought Home Made

Approximate Door Width: _____ inches

Approximate Door Height: _____ inches

Type of Application:

- Farm Home Business

Item Serial Number: _____

