



AX30 30WATT SOLAR PANEL

INSTRUCTIONS

NOTE

BEFORE YOU INSTALL THE SOLAR PANEL IT **MUST BE** LOCATED IN AN OPEN AREA THAT GETS DIRECT UNOBSTRUCTED FULL SUN FOR AT LEAST 8 HOURS PER DAY.

MOUNTING POST IS NOT INCLUDED WITH YOUR 30WATT SOLAR PANEL KIT.

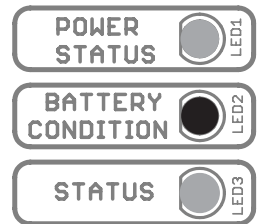
TIPS FOR SOLAR INSTALLATIONS:

Solar panels should be mounted so that foliage growth such as tree leaves, tree branches, or weeds do not cover the solar panel in a shadow at any point during the day, regardless of the time of year.

Solar panels should be cleaned periodically to remove any snow, dirt, grime, mold, or mildew that may accumulate and deteriorate the performance.

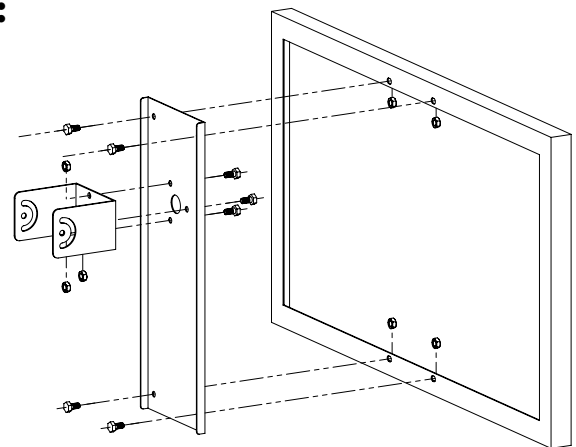
If this solar panel will be used with a GHOST CONTROLS® Gate Opener System, the power LED indicator (shown) on the GHOST CONTROLS® System Control Panel will help you align the panel for optimal charging performance. The faster the power status light blinks or the light stays solid the better the charge. A blinking light means too much shade or panel needs to be rotated to gain better charging performance. A solid light is best.

Place the panel facing **DUE SOUTH** in the path of the sun. Many smart-phones have a magnetic compass to aid you.

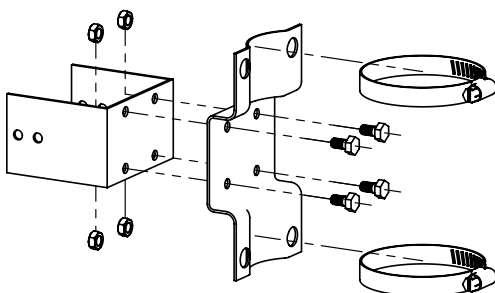


INSTALLING YOUR SOLAR PANEL:

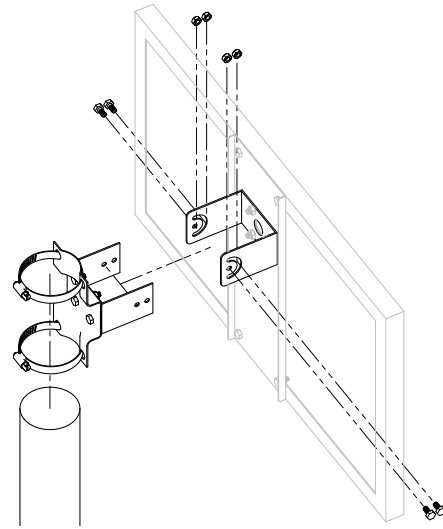
STEP 1: ATTACH BRACKET TO SOLAR PANEL



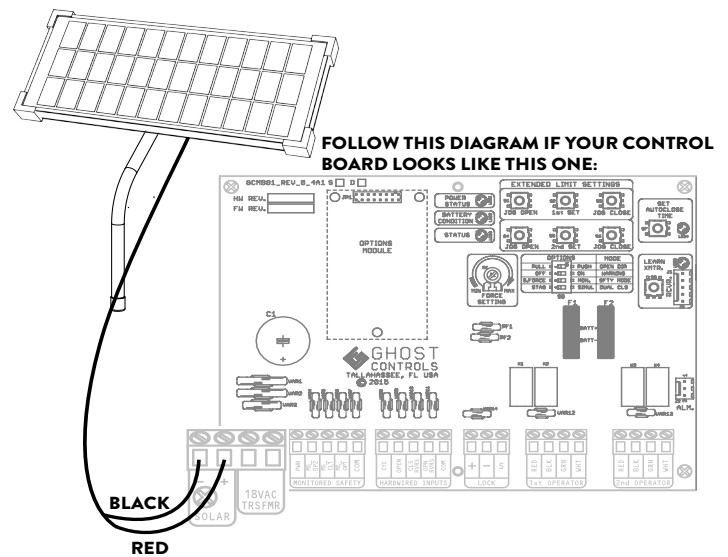
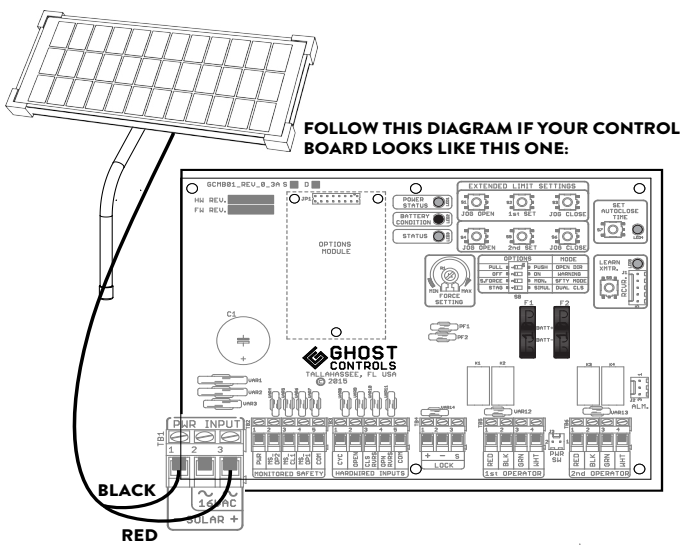
STEP 2: ATTACH POST MOUNTING BRACKETS



**STEP 3: ATTACH BRACKETS AND PANEL TO A POST
(POST NOT INCLUDED WITH KIT)**



STEP 4: ATTACHING WIRE TO CONTROL BOARD



Make sure control board switch is in the OFF position. Feed the free end of the solar panel wires into the control box and attach them to the appropriate terminals on the control board. The RED solar panel wire goes to the (+) POSITIVE solar terminal and the BLACK solar panel wire goes to the (-) NEGATIVE solar terminal. If there is a plastic plug inserted into the negative solar terminal please remove before inserting black solar panel wire. **Improper installation of these wires will damage the opener's control board.**

NEVER USE THE SOLAR PANEL AND THE AC TRANSFORMER AT THE SAME TIME! It will damage the control board and void your warranty.

WARRANTY:

GHOST CONTROLS® Solar Panels are warrantied for 18 months with proof of purchase. Register your solar panel on ghostcontrols.com/pages/product-registration. See warranty terms on ghostcontrols.com/pages/warranty.

For more information on GHOST CONTROLS® Automatic Gate Openers and Accessories please visit our website at www.ghostcontrols.com.



WARNING: This product can expose you to chemicals including lead, which is known to the State of California to cause cancer. For more information, go to www.P65Warnings.ca.gov

