



Instruction Manual

10/20 Series

VS10 / VS10i / VS20 / VS20i

QUICK SETUP!

SCAN CODE ▶

*USE PHONE CAMERA



or visit www.vaultsafe.com/support/

Thank You

At Vaultek® we stand behind our product and you our customer. On behalf of the entire team thank you for your purchase. We believe personal defense should be handled seriously and we're excited for you to experience the ultimate performance in smart-security.

This safe has been granted two United States Patents. An exterior design patent as well as a patent for Vaultek's signature two point latch system. US Patent Numbers: US D817,589 S | US 10,253,529

Box Contents: Vaultek® Safe | 18650 Lithium-ion Battery | Charging Kit + Adapter | Security Cable | Hardware Mounting Kit | Owner's Manual | Quick Start Guide | Backup Keys (2)

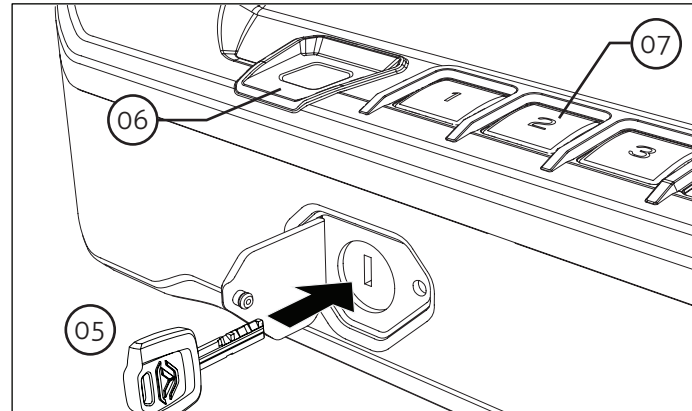
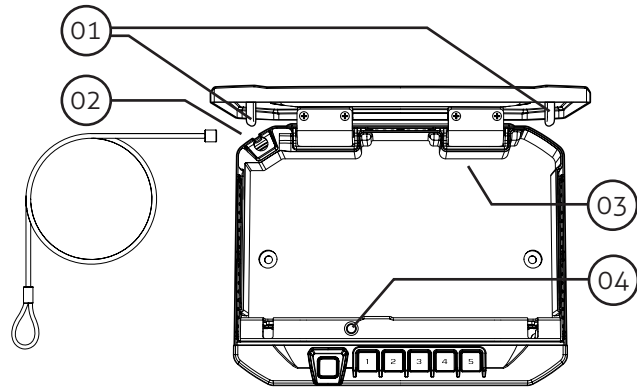
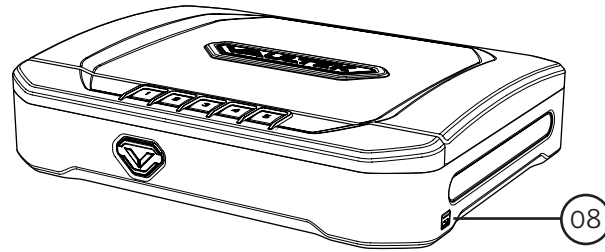
Table of Contents

01	Get to Know Your Vaultek® Safe	13	- Toggle Sound
02	Basic Operations	13	- Toggle Travel Mode
02	Secure Defense	13	- View Battery Status
03	Warnings	13	- Toggle Low Battery Alarm
04 / 06	Battery	13	- Toggle Remote Unlock by Phone
04	- Installation	14	- Adjust Interior LED Light Duration
05	- Maintenance	14	- Toggle Alert of Manual Unlock
07	Master Code Programming	14	- Factory Reset
08	Product Registration	14	- Delete Fingerprints
09 / 11	Biometric Scanner	14	- Dual Entry Mode
10	- Programming Admin Prints 1 and 2	15 / 16	Vaultek® Bluetooth® 2.0 App
11	- Enrolling Prints 3-20	15	- Overview
12	- Deleting Fingerprints	16	- Pairing
12	Securing Your Safe	17	Nano Key 2.0 (Sold Separately)
12	- Using Steel Security Cable	17	- Pairing
12	- Using the Mounting Screws	17	- Enable/Disable
13 / 14	Hot Keys	17	- Unpairing
13	- Tamper Detection	18	Customer Support / Limited Warranty

Get to Know Your Vaultek® Safe

The Vaultek® 10/20 VS Series is a tough and rugged Bluetooth® access safe. Its solid structure and penetration resistant design makes it ideal for storing valuables such as firearms, jewelry, cash and other personal items. Powered by a rechargeable lithium-ion battery, the safe combines high security with complete access control.

- 01:** Anti-Impact Latches
- 02:** Quick Release Cable Mount (Included Steel Security Cable)
- 03:** Interior Mounted Hinges
- 04:** Program Button
- 05:** Manual Key Access
- 06:** Biometric Scanner (Only Biometric Model)
- 07:** Backlit Numeric Keypad
- 08:** Micro-USB Port



Basic Operation

With the rechargeable battery installed, you can unlock your safe using any of the authorized access points.

Keypad: The numeric keypad responds quickly for rapid access and has a built-in proximity sensor that lights up when your hand brushes against the safe. See page 07 for more information.

Biometric Scanner (Biometric Model Only): Personalized access for up to 20 unique fingerprints. See pages 09 to 11 for more information.

Key: Two keys are provided for manual access to the safe in the event the battery dies.

Vaultek® Bluetooth® 2.0 App: Open the safe with the Bluetooth® 2.0 app. See pages 15 and 16 for more information.

Nano Key 2.0 (Sold Separately): Open the safe with Nano Key 2.0. See page 17.

Secure Defense: How your Vaultek® Safe keeps people out

Anti-Impact Latches: Built to withstand forceful impacts and heavy slams.

Unibody Construction: Our unibody design is extremely strong without welds or weak points.

No External Access Points: A combination of interior mounted hinges and extended anti-pry reinforcement bars help prevent unwanted tools from attempting to break the safe open.

Mounting Feature: Secure your safe to a stationary object via the included high strength steel security cable or via the two pre-drilled mounting holes using the included mounting hardware.

Security Sleep Mode: Activates when six (6) consecutive incorrect keypad entries are entered or (6) incorrect fingerprint scans (biometric model) are made. The safe will not accept any entries for four minutes. If any additional attempts are made the keypad will flash and safe will beep. The safe can not be accessed until the security sleep mode has timed out.

Alert of Manual Unlock Activates when someone opens the safe with either the key or by picking the lock, the keypad will start flashing and the safe will beep for 10 seconds. To clear the alarm you must enter the authorized master code. By default this is toggled OFF. To enable reference the hot key section on page 14.

Warnings

To prevent damage to your Vaultek® unit or injury to yourself or to others, read the following safety precautions before using this unit.

DO NOT PLACE OR STORE THE BACKUP KEYS INSIDE THE SAFE AT ANY TIME. IF THE BATTERY FAILS, YOU WILL BE UNABLE TO OPEN THE SAFE.

DO NOT expose to extreme heat or cold. Battery power may be affected.

DO NOT store loaded guns in this unit. Firearms are serious in nature and must be handled with respect. Store responsibly.

DO NOT get fingerprint sensor wet.

ALWAYS check to make sure door has latched when closing; lid requires a firm press and locks automatically.

Check page 17 for Nano Key 2.0 warnings.

DISCLAIMERS:

NEITHER SELLER NOR MANUFACTURER SHALL BE LIABLE FOR UNAUTHORIZED ACCESS, ANY INJURY, LOSS OR DAMAGE TO PERSONAL PROPERTY DIRECT OR CONSEQUENTIAL, ARISING OUT OF THE USE OF, OR THE INABILITY TO USE THE VAULTEK® SAFE.

THE USER SHALL DETERMINE THE SUITABILITY OF THE VAULTEK® SAFE BEFORE THE INTENDED USE AND USER ASSUMES ALL RISK AND LIABILITY WHATSOEVER IN CONNECTION THEREWITH. VAULTEK® SAFES ARE NOT INTENDED TO PROTECT AGAINST ENVIRONMENTAL HAZARDS INCLUDING FIRE AND WATER.

Be sure and follow all local and state firearm laws.

DO NOT operate a firearm without proper training and experience.

The Bluetooth® word mark and logos are registered trademarks owned by the Bluetooth SIG, Inc. and any use of such marks by Vaultek Safe, Inc. is under license.

Battery: Installation

Your safe uses a 3.7V 18650 rechargeable lithium-ion with a flat top. A minimum 2000 mAh capacity is required, however 2200 mAh or higher can be used to increase operation time.

- 1** To get started, insert one of your backup keys into the keyhole at the front of the safe (see Figure A). Push key in and rotate the key clockwise until you open the safe.
- 2** Remove the interior padding. Locate the battery compartment door on the inside of the safe directly behind the '1' key on the keypad (see Figure B).
- 3** Remove the battery cover by pressing down on the tab near the top of the cover.

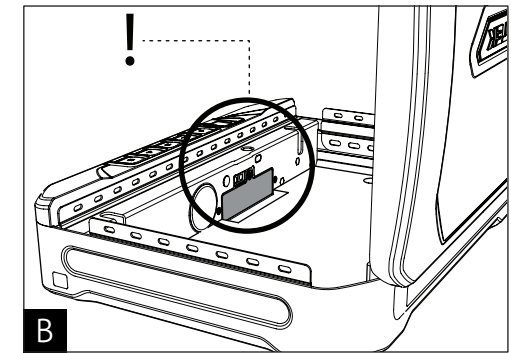
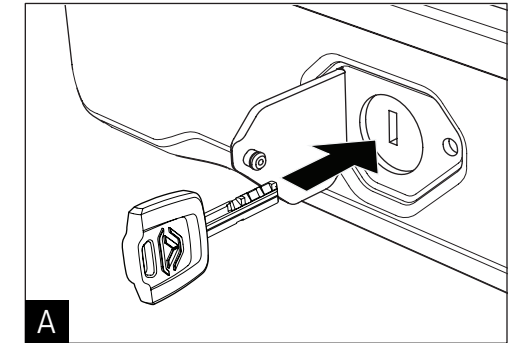
Tip! Before inserting the battery make sure to place the pull string over the battery before closing the door for easy removal.

- 4** Insert the battery (included in accessory box) into the battery compartment. Note that your Vaultek® safe automatically detects the polarity of the battery and can be installed in either direction.
- 5** When the battery is inserted you will hear a short welcome tone and the keypad will light up. Once you hear the tone and see the keypad light up, replace the battery cover. You are now ready to program your safe.

Tip! After installing the battery, use the charging kit provided to charge the unit 100%.

IMPORTANT! Your Vaultek® safe will automatically lock when you fully close the lid.

Tip! Register your safe online. This is important in the event you lose your keys. See page 08.



Battery: Maintenance

Your Vaultek® safe is powered by a rechargeable lithium-ion battery and comes with a charging kit which includes an AC power adapter and a micro-USB cable. Safe and micro-USB cable can be used with all international power adapters. Under normal usage, a fully charged battery can last for several months.

IMPORTANT! If another adapter is used to charge the battery, the output should be 5V/2000mA or above when using micro-USB.

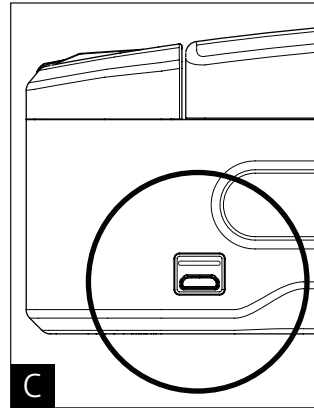
Battery Maintenance: Charging the Battery

- 1 To recharge the safe, plug the micro-USB cable into the micro-USB receiving jack located on the upper right side of the safe (Figure C) and connect to a standard USB port or wall outlet using the AC power adapter. Approximate recharge time is 2.5 hours.
- 2 When charging the LED light above the micro-USB jack (Figure C) will be solid YELLOW and the LED will be solid GREEN when fully charged.

Battery Tips!

- The charging kit can also function as an external power supply, which means you can open your safe even when the battery is depleted.
- Leaving your safe plugged in continually will **not** harm the safe or battery. However, to preserve battery life we suggest that you unplug occasionally to allow the battery to cycle down.
- A specially designed Vaultek Powerpack is available as a separate accessory to extend operation time.
- If the '1' key on the keypad is blinking RED then your battery level is critical. Refer to "Low Battery Warning" on page 06 to learn more.

See the next page for additional information about the battery.



Battery: Maintenance

Battery Maintenance: Testing the Battery Power

To check the battery level, press and hold the '5' key on the keypad for 3 seconds. The keys '1' to '4' will glow GREEN or RED to indicate the battery level:

- Remaining Battery Capacity Level
- If 4 keys glow green: 80%-100%
 - If 3 keys glow green: 60%-80%
 - If 2 keys glow green: 40%-60%
 - If 1 key glows green: 20%-40%
 - If 1 key glows red: 10%-20%
 - If 1 key blinks red: less than 10%

Battery Maintenance: Soft Reset Tip

In the event the battery dies or a soft reset is performed (battery removal and installation) the safe will restore default settings for interior light, sound, Alert of Manual Unlock, and Low Battery Alarm feature. These settings will need to be readjusted, however the master code and fingerprint scanner will not be affected.

IMPORTANT!

- Use a 3.7V 18650 rechargeable lithium-ion battery with a flat top. A minimum 2000 mAh capacity is required, however 2200 mAh or higher can be used to increase operation time.
- The adapter used to charge the battery should output 5V/2000mA or above when using micro-USB.

For setup, tutorials, and FAQs visit www.vaulteksafe.com/support/ and select your model.

Battery Maintenance: Low Battery Warning

If the '1' key on the keypad blinks RED several times and you hear several rapid beeps when opening the safe, your battery level is critically low and your safe needs to be charged immediately.

Battery Maintenance: Low Battery Alarm

Your safe features a low battery alarm that will sound when the safe is low in battery, and will sound continually every 8 minutes until the battery dies. To learn more see page 13.

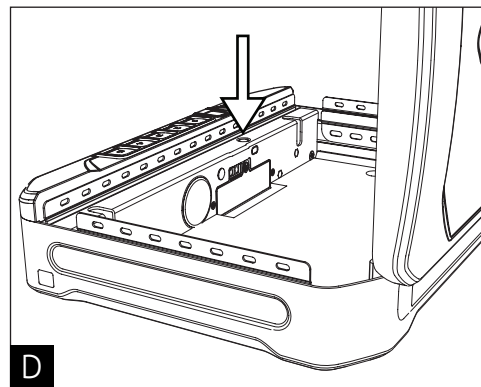
Master Code Programming

First time users should change the default code as soon as possible to prevent unauthorized access to your safe.

Programming Tips!

- Your code can be a minimum of 4 and a maximum of 8 digits. We recommend a code 6 to 8 digits in length using at least one of each key to make it more difficult for someone to guess your code. For your security, the safe will time out and sleep for 4 minutes if 6 incorrect entries are made.
- Two keys cannot be pressed simultaneously.
- Programming a new code will overwrite your previous code.
- Default master code is 1-2-3-4-5 on the keypad.

- 1 Open the safe. With the safe open, press and hold the "PROGRAM" button (3 seconds) (Figure D) until all keys (1-5) light up RED and let go.
- 2 Enter your NEW master code.
- 3 Immediately press and hold the "PROGRAM" button a second time (3 seconds) until all keys (1-5) light up RED and let go.
- 4 Enter your NEW master code a second time.
- 5 Immediately press and hold the "PROGRAM" button a third time (3 seconds) until the safe beeps and let go. The keypad will flash GREEN if successful. Now test the code.

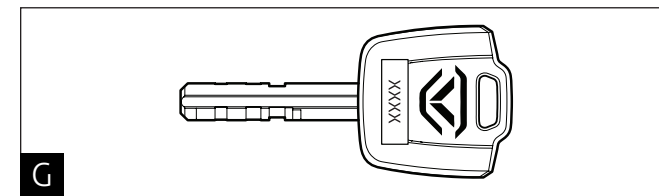
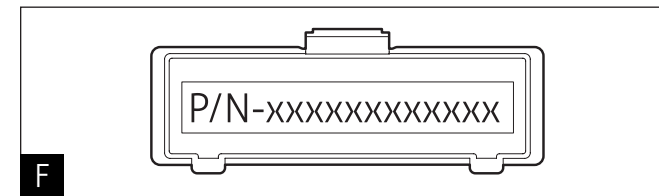
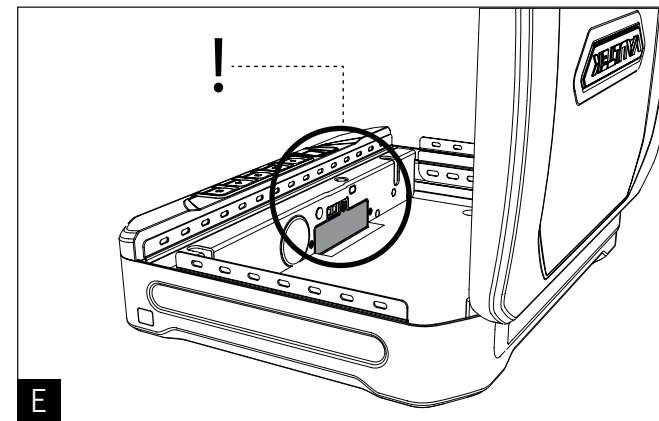


Troubleshooting! If you make a mistake and the new code will not work, simply start over with step 1.

Product Registration

Vaultek® strongly encourages you to register your safe as soon as you receive it. **Registration provides many benefits including three year warranty, technical support, and ordering replacement keys should you misplace them.** Your Vaultek® safe has a unique product number on the inside of the battery door and a 4-digit ID number engraved on the keys. You will need these numbers to register your safe.

- 1 Locate your product number. It is printed on the first page of this user manual and on the back of the battery door (Figure E/F).
- 2 Find your 4-digit ID number engraved on the keys (Figure G).
- 3 Please visit the Vaultek® website at vaulteksafe.com and click Support/Product Registration.
- 4 Enter the required information in the form and click submit.



For setup, tutorials, and FAQs visit www.vaulteksafe.com/support/ and select your model.

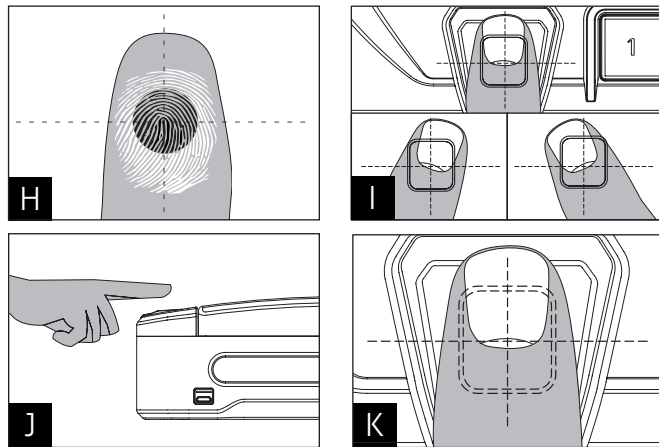
Biometric Scanner: Overview (VS10i and VS20i Only)

Biometrics are methods of authenticating the identity of a person based on physical or behavioral characteristics. Biometric fingerprint authentication refers to technology that measures and analyzes human physical characteristics for identification and authentication purposes.

Everyone has their own unique fingerprints, and what makes them unique is the pattern of ridges, valleys, and minutiae points that comprise an individual print. Vaultek® and their leading engineering group has developed proprietary technology to read and match fingerprints with unmatched speed and accuracy. That means that only authorized users have access to your valuables. The safe is capable of storing fingerprint data for up to 20 unique authorized users. A user consists of 5 scans of the same finger during registration. Once a user's fingerprint data is stored in the safe and encrypted, it cannot be copied or stolen.

Helpful Programming Tips!

- **Place the core of the fingerprint flat** (Figure H + I + J + K) over the center of the scanner (this allows the scanner to read where most of the fingerprint detail is located) see (Figure H).
- Rotate your finger slightly between registration scans to store print variations for increased accuracy (Figure I).
- Excessive moisture, lotions, or dirt will affect your fingerprint and may cause inaccurate sensor reading.
- **Troubleshooting!** If you are having difficulty with your print, program the same fingerprint 4 or 5 times. You have 20 slots available for programming and you can also try your thumb as it has more surface area to read.



ATTENTION! (Figure J) Position your finger flat against the scanner to increase the amount of readable information.

Biometric Scanner: Programming Admin Prints 1 and 2 (VS10i and VS20i Only)

The 1st and 2nd fingerprints will be recognized as administrative fingerprints and will be used to authorize additional users (3-20). To program additional users refer to the next page.

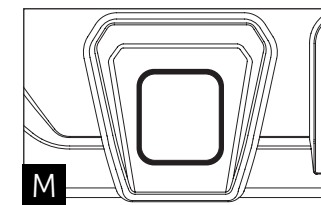
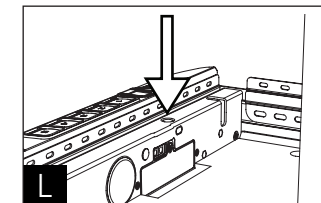
Tip! The first two enrolled fingerprints are admin prints, and are required to authorize enrolling additional users (3-20).

Tip! Each fingerprint requires 5 registration scans to be enrolled into the safe.

- 1 Open the safe. Program 1st fingerprint by quickly pressing and releasing the "PROGRAM" button (Figure L). The ring around the fingerprint scanner (Figure M) will turn RED and the '1' key on the keypad will blink RED.
- 2 Registration Scan 1: While the '1' key is blinking RED, place your finger on the fingerprint scanner for the first of 5 scans. When the safe beeps and the '1' key lights up GREEN remove your finger.
- 3 Registration Scan 2: While the '2' key is blinking RED, place the same finger again over the scanner at a slightly different angle (see Figure I on page 09) until the safe beeps and the '2' key lights up GREEN and lift.
- 4 Registration Scan 3: While the '3' key is blinking RED, place the same finger again over the scanner at a slightly different angle until the safe beeps and the '3' key lights up GREEN and lift.
- 5 Registration Scan 4: While the '4' key is blinking RED, place the same finger again over the scanner at a slightly different angle until the safe beeps and the '4' key lights up GREEN and lift.
- 6 Registration Scan 5: While the '5' key is blinking RED, place the same finger again over the scanner at a slightly different angle until the safe beeps and the '5' key lights up GREEN and lift. **This completes the enrollment for the first admin.**

Tip! Repeat steps 1 through 6 to add the 2nd administrative fingerprint. To program prints (3-20) refer to page 11.

Troubleshooting! If you are having difficulty with your print, program the same fingerprint 4 or 5 times. You have 20 slots available for programming and you can also try your thumb as it has more surface area to read.



Biometric Scanner: Enrolling Prints 3-20 (VS10i and VS20i)

With both admin prints enrolled, you can enroll additional users. You can store up to 20 different fingerprints.

Tip! When adding additional users after the admin prints, the keypad will flash RED and the LED around the scanner will illuminate YELLOW. This is prompting the scan of an admin print to authorize the request to enroll a new user.

- 1 Open the safe. Program additional fingerprints by quickly pressing and releasing the "PROGRAM" button (Figure L on page 10). The ring around the fingerprint scanner (Figure M on page 10) will turn YELLOW and the keypad will flash RED. Scan one of the administrative fingerprints to authorize enrolling a new user then remove when the safe beeps, keypad flashes GREEN, and the ring around the fingerprint scanner flashes GREEN. You are now ready to enroll an additional user.

Tip! If the administrative print is left on the scanner too long the safe will begin to program that fingerprint into the safe again and not the NEW fingerprint. If this happens start over with step one.

- 2 Registration Scan 1: While the '1' key is blinking RED, place the new finger on the fingerprint scanner for the first of 5 scans. When the safe beeps and the '1' key lights up GREEN remove your finger.
- 3 Registration Scan 2: While the '2' key is blinking RED, place the same print at a slightly different angle (see Figure I on page 09) until the safe beeps and the '2' key lights up GREEN and lift.
- 4 Registration Scan 3: While the '3' key is blinking RED, place the same print at a slightly different angle until the safe beeps and the '3' key lights up GREEN and lift.
- 5 Registration Scan 4: While the '4' key is blinking RED, place the same print at a slightly different angle until the safe beeps and the '4' key lights up GREEN and lift.
- 6 Registration Scan 5: While the '5' key is blinking RED, place the same print at a slightly different angle until the safe beeps and the '5' key lights up GREEN and lift. **This completes enrollment for a new user.**

IMPORTANT! Repeat steps 1-6 to continue adding additional prints.

Continue on next page to learn how to delete fingerprints.

Biometric Scanner: Deleting Fingerprints (VS10i and VS20i Only)

Individual fingerprints can not be deleted from the keypad on the safe. Following this procedure will erase all of the fingerprints including both administrative fingerprints. If you wish to delete individual fingerprints, you must use the Vaultek® Bluetooth® app. This procedure will not affect the keypad master code.

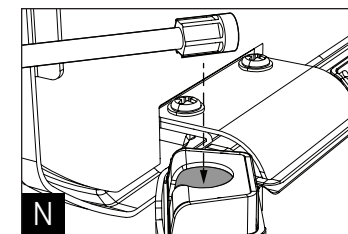
- 1 Press and hold '1' and "PROGRAM" button together until all the keys (1-5) light up RED and enter your master code. If the code is correct, all the numbers on the keypad will blink GREEN and beep indicating deletion of all the fingerprints.

Securing Your Safe

Your Vaultek® safe can be secured a few different ways. Included is a security cable to attach your safe to larger stationary objects. There are also mounting screws included to mount the safe to a flat surface using the pre-drilled holes on the bottom.

Securing Your Safe: Using the Steel Security Cable

- 1 Loop the security cable around a secured object. Run the end of the cable through the eye of the other end and pull tight around the object. Place the end of the security cable inside the fully enclosed quick release cable mount inside your Vaultek® safe as shown in (Figure N).



Tip! Make sure the safe closes with the cable secured inside the quick release cable mount.

Securing Your Safe: Using the Mounting Screws

Tip! Make sure you have enough clearance for the lid to open properly before mounting the safe.

- 1 Position the safe on a flat surface where you want to mount it. Use a pencil to mark the holes for drilling and drill pilot holes. Position safe in place and install the screws through the safe into pilot holes. Tighten screws.

IMPORTANT! Mounting the safe vertically so that the door flips upward will result in incomplete opening of the safe due to weight. The door will open if the safe is mounted vertically so that door opens down or to the side.

Hot Keys

Your safe has a list of hotkeys shortcuts.



Tamper Detection: To check for tampering press and hold keys '2' and '4' together for 3 seconds. The '3' key will glow RED to indicate tampering or GREEN to indicate no tampering. The safe considers an incorrect keypad entry and unauthorized fingerprint scan (biometric model only) as tampering. You can reset the tamper detection by opening the safe through one of the authorized entry points.

Toggle Sound: Toggle between four different sound settings. High pitch, medium pitch, low pitch, or off. To toggle the setting press and hold keys '1' and '3' together for 3 seconds. If the '2' '4' and '5' keys glow GREEN the sound is High; if the '2' and '4' keys glow GREEN the sound is Medium; if the '2' key glows GREEN the sound is Low, and if the '2' key glows RED the sound is off. The sound is medium pitch by default.

Toggle Travel Mode: Disable the safe to save battery and prevent tampering. Travel Mode disables the proximity sensor, fingerprint sensor, keypad, and Bluetooth features. To toggle travel mode ON/OFF press and hold keys '1' '3' and '5' together until the safe beeps and the keys light up. If keys '2' and '4' glow RED, the safe is disabled; if keys '2' and '4' glow GREEN, the safe is fully operational.

View Battery Status: To check the battery level directly from the keypad, press and hold the '5' key for 3 seconds. Keys from '1' to '4' will glow GREEN or RED to indicate the battery level. See pages 05 to 06 for more information.

If 4 keys glow green: 80%-100%

If 1 key glows green: 20%-40%

If 3 keys glow green: 60%-80%

If 1 key glows red: 10%-20%

If 2 keys glow green: 40% - 60%

If 1 key blinks red: less than 10%

Toggle Low Battery Alarm: Your safe features a low battery alarm that will sound when the safe is low in battery, and will sound continually every 8 minutes until the battery dies. To toggle press and hold keys '1' '2' and "PROGRAM" button together. If the keypad flashes RED, the alarm is disabled; if the keypad flashes GREEN, the alarm is enabled. The alarm is ON by default.

Toggle Remote Unlock By Phone: The unlock slider to open the safe with the phone app is OFF by default and will be grayed out. To toggle the unlock slider ON, press and hold keys '1' and '4' and PROGRAM together for 3 seconds. The keypad will flash GREEN to turn the unlock slider ON or RED to indicate the unlock slider is OFF.

Hot Keys Continued

Adjust Interior LED Light Duration: Select the desired duration the interior light is ON. To toggle settings press and hold the '1' key for 3 seconds. The keypad will indicate the selection as below:

Off: Keys (1-5) glow RED

Interior light ON for 10 seconds: Key '2' Green

Interior light ON for 30 seconds: Keys '2' and '3' Green

Interior light ON for 60 seconds: Keys '2', '3', and '4' Green

If the light times out, press the "LIGHT" button inside the safe to extend the light for additional time as selected. You can also adjust the settings in the Vaultek® Bluetooth® app. If the light is toggled OFF the light will be disabled.

Toggle Alert of Manual Unlock: If the Alert of Manual Unlock is ON, and someone opens the safe with either the key or by picking the lock, the keypad will start flashing and beep for 10 seconds. To clear the alarm you must enter the authorized master code. To toggle Alert of Manual Unlock press and hold keys '4' '5' and "PROGRAM" button together for 3 seconds. The keypad will flash GREEN indicating enabled or RED indicating disabled. Alert of Manual Unlock is OFF by default.

Factory Reset: The Factory Reset erases all programmed information and restores the safe to its default settings. This includes removing any enrolled fingerprints and resetting the master code to 1-2-3-4-5. The safe will need to be reconfigured again to work with the Vaultek® Bluetooth® app. To perform a factory reset, press and hold keys '1' and '5' and "PROGRAM" button together until the keypad flashes green and the safe restarts. Once the safe restarts remove the battery from the safe, and then put the battery back.

Delete Fingerprints (Biometric Model Only): To delete all fingerprints on the safe press and hold the '1' key and "PROGRAM" button together at the same time for 3 seconds until all keys (1-5) light up RED, and then enter the safe's master code. This will remove all the fingerprints. You can delete individual fingerprints in the Vaultek® Bluetooth® app.

Dual Entry Mode (Biometric Model Only): Requires input of master code and enrolled fingerprint or vice versa to open safe. To toggle On/Off press and hold keys '3' and '4' and "PROGRAM" button together for 3 seconds. If the keypad flashes RED the feature is OFF, if the keypad flashes GREEN the feature is ON. This mode requires that at least one fingerprint be programmed in the safe.

For Bluetooth Hotkeys including Toggling App Connection ON/OFF visit page 15.

Vaultek® Bluetooth® 2.0 App: Overview

The Vaultek® Bluetooth® 2.0 app lets you get the most out of your safe. Using the app gives you access and control over features that are not possible using the keypad interface alone.

App Features: Unlock Safe Within Range (Optional) | Check Battery Levels | Toggle Sound On/Off | Adjust Interior Light | Manage Nano Key Settings (Nano Key Bluetooth 2.0 Sold Separately) | Manage Fingerprint IDs (Biometric Model Only) | View History Log

Vaultek® Bluetooth® 2.0 App: Helpful Tips!

- **Toggle Remote Unlock by Phone:** By default, the unlock feature on your app will be disabled. If you wish to enable this feature, press and hold keys '1' '4' and "PROGRAM" button together for 3 seconds. Repeat the sequence to disable the unlock feature.
 - **Toggle App Connection ON/OFF:** ON by default. The connection toggle when OFF stops all app communication, such as the phone unlock command and eliminates any outside sources from connecting to the safe over Bluetooth including already paired devices. To toggle app connections ON/OFF press and hold key '2' and "PROGRAM" together at the same time for 3 seconds. The keypad will flash RED indicating connections are OFF, or GREEN indicating connections are ON. When OFF, a paired phone will not be able to operate the app until the connection has been turned ON.
- Tips!** The connection must be ON in order to pair a phone with the safe. Once a phone is paired, it will not need to be paired again when toggling the connection ON/Off.
- **Unpair Phone App:** Used in the event you wish to unpair any connected smartphone from the safe. To unpair press and hold keys '2' '3' and "PROGRAM" together at the same time for 3 seconds. If the keypad flashes GREEN this indicates all smartphones have been removed from the safe.
 - **History Log Timestamp** Any actions recorded in the history log before your phone is paired with the safe will show a timestamp from the safe's default clock - this may not match your phone's time or date. To sync your phone's time with the safe's history log, simply remove the battery and reinstall, and immediately re-sync your phone before performing any other actions.

Vaultek® Bluetooth® 2.0 App: Pairing

1 Download the App: Scan the QR code with your phone's camera to download the Vaultek® Bluetooth® 2.0 app from Google Play and Apple Store.

2 Make sure your phone's Bluetooth® settings are set to ON, and **open the Vaultek® Bluetooth® app to begin.**

IMPORTANT! You must be within Bluetooth® range to pair your phone with your safe. The approximate range is 25 feet.

3 Create a Pattern Lock: This is an added layer of protection to safeguard your safe and prevent unauthorized access in the event your phone is misplaced. To create your pattern lock, simply drag your finger along the screen to connect at least four dots. This unique pattern will be required each time you open the app.

4 Select Your Safe: After a few seconds your safe will appear in the search. You can drag the screen downwards to refresh if you are not seeing your safe listed. Select your safe, and follow the on screen prompts to pair.

Tip! This pairing sequence offers enhanced security protection and will allow up to two different phones to pair with your safe.

Toggle Remote Unlock: Refer to page 15 on how to enable this feature.

Privacy Notice: Vaultek Safe, Inc. does not access your personal information. The app may require some permissions to store personal preferences such as your safe settings and Bluetooth settings to communicate with your safe. In no way do we gain or collect any personal information from you.

VAULTEK® BLUETOOTH® 2.0 APP



For setup, tutorials, and FAQs visit www.vaulteksafe.com/support/ and select your model.

Nano Key 2.0 (Sold Separately)

Your Vaultek® safe supports quick access with Nano Key Bluetooth 2.0. Nano Key 2.0 is not included but can be purchased separately at vaulteksafe.com or from authorized dealers. Nano Key 2.0, part of Vaultek's Nano Key lineup, provides instant access to your safe in the event you need immediate entry. It's small footprint and mountable base make it easy to hide and conceal anywhere, making it suitable for use as a panic button.

Take caution when using this feature and be responsible. Security can be compromised in the event Nano Key 2.0 is lost or stolen. Only pair Nano Key 2.0 after thoroughly understanding the inherent risks.

- To avoid unintentional safe opening, Nano Key 2.0 should only be used when safe is in sight.
- **WARNING** anyone including children can access the safe via Nano Key 2.0.
- **ALWAYS** unpair Nano Key 2.0 in the event it is lost or stolen.

Nano Key 2.0: Pairing

IMPORTANT! You must be within 6' from the safe to pair Nano Key Bluetooth 2.0.

- 1 With the safe open press and hold the '5' key then "PROGRAM" button together (3 seconds) until all keys (1-5) start blinking RED.
- 2 Immediately aim Nano Key 2.0 towards the safe. Press and hold the Nano Key 2.0 button until the safe keypad flashes GREEN to indicate pairing is successful. If the keypad does not flash green then simply start over with step 1.

Nano Key 2.0: Unpairing

In the event a Nano Key Bluetooth 2.0 is lost or stolen, you can unpair the lost Nano Key 2.0 from the safe's memory. This will remove all paired Nano Key 2.0s from the safe.

Press and hold keys '2' '5' then "PROGRAM" button together (3 seconds) until all keys turn GREEN. This indicates that all paired Nano Key 2.0s have been deleted from memory.

Nano Key 2.0: Enable/Disable

Enabling/disabling Nano Key Bluetooth 2.0 from the app or keypad will NOT unpair a Nano Key 2.0 from the safe's memory.

Nano Key 2.0 can be temporarily disabled as needed. When disabled, Nano Key 2.0 can not be used to open a paired safe. When enabled, Nano Key 2.0 will resume normal operation and open a paired safe.

Press and hold the '4' key and "PROGRAM" button together (3 seconds) to enable/disable Nano Key 2.0.

Customer Support

If you have a problem with your Vaultek® safe, we encourage you to visit www.vaulteksafe.com/support/ and select your model for troubleshooting, FAQs, and helpful videos.

Warranty (Terms and Conditions)

VAULTEK® IS COMMITTED TO PROVIDING PRODUCTS OF HIGH QUALITY AND VALUE AND MAKES EVERY EFFORT TO ENSURE ITS PRODUCTS ARE FREE OF DEFECTS.

Vaultek® guarantees your safe will be free of defects in materials or workmanship for a period of two years from the date of original purchase from an authorized dealer and three years with verified product registration.

The warranty is only valid for the original purchaser and not transferable. This warranty is only valid for products purchased and operated in the U.S. This warranty does not cover abuse, misuse, use in any manner for which is not designed, neglected, modification, damage inadvertently caused by the user, accidents and/or tampering.

If service is needed Vaultek will, at its option, exchange or repair without charge for parts or labor. Upon authorization of warranty service, customers are responsible for securely packaging product. Additionally, customers are responsible for costs of shipping to and from Vaultek service center.

If the claimed defect cannot be identified or reproduced, customers will be held responsible for the costs incurred. Please have the following information available before you begin a claim with Vaultek:

- Purchaser's name, mailing address, email address, and a phone number.
- Copy of receipt or online order number (if purchased directly from us or Amazon)
- Authorized Dealer Name (if applicable)
- Detailed description of the problem

NEITHER SELLER NOR MANUFACTURER SHALL BE LIABLE FOR ANY INJURY, LOSS OR DAMAGE, DIRECT OR CONSEQUENTIAL, ARISING OUT OF THE USE OF, OR THE INABILITY TO USE THE VAULTEK® SAFE.

STOP! Do not return to retailer. If you have any questions about your Vaultek® safe or need help configuring the system, please email us at support@vaulteksafe.com.

This device has been evaluated to meet general RF exposure requirement. The device can be used in portable exposure condition without restriction.

Federal Communication Commission (FCC) Radiation Exposure Statement. Power is so low that no RF exposure calculation is needed.

FCC statements:

This device complies with part 15 of the FCC rules. Operation is subject to the following two conditions: (1) this device may not cause harmful interference, and (2) this device must accept any interference received, including interference that may cause undesired operation.

NOTE: The manufacturer is not responsible for any radio or TV interference caused by unauthorized modifications or changes to this equipment. Such modifications or changes could void the user's authority to operate the equipment.

NOTE: This equipment has been tested and found to comply with the limits for a Class B digital device, pursuant to part 15 of the FCC Rules. These limits are designed to provide reasonable protection against harmful interference in a residential installation. This equipment generates uses and can radiate radio frequency energy and, if not installed and used in accordance with the instructions, may cause harmful interference to radio communications. However, there is no guarantee that interference will not occur in a particular installation. If this equipment does cause harmful interference to radio or television reception, which can be determined by turning the equipment off and on, the user is encouraged to try to correct the interference by one or more of the following measures:

- Reorient or relocate the receiving antenna.
- Increase the separation between the equipment and receiver.
- Connect the equipment into an outlet on a circuit different from that to which the receiver is connected.
- Consult the dealer or an experienced radio/TV technician for help.

STOP! Do not return to retailer. If you have any questions about your Vaultek® safe or need help configuring the system, please email us at support@vaulteksafe.com.



VAULTEK®

37 North Orange Ave. Suite 770 Orlando, FL 32801

VAULTEKSAFE.COM