



EN Front Tine Tiller

58602

ES Motoazada

58602

FR Motoculteur à dents avant

58602







Form No. 3443-828 Rev A

Count on it.

Operator's Manual

Front Tine Tiller

Model No. 58602—Serial No. 321000001 and Up



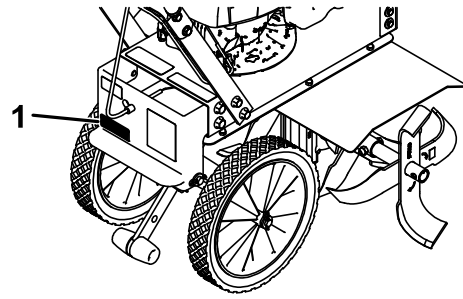
It is a violation of California Public Resource Code Section 4442 or 4443 to use or operate the engine on any forest-covered, brush-covered, or grass-covered land unless the engine is equipped with a spark arrester, as defined in Section 4442, maintained in effective working order or the engine is constructed, equipped, and maintained for the prevention of fire.

⚠ WARNING

**CALIFORNIA
Proposition 65 Warning**

The engine exhaust from this product contains chemicals known to the State of California to cause cancer, birth defects, or other reproductive harm.

Use of this product may cause exposure to chemicals known to the State of California to cause cancer, birth defects, or other reproductive harm.



g355851

Figure 1

1. Model and serial number location

Model No. _____

Serial No. _____

This manual identifies potential hazards and has safety messages identified by the safety-alert symbol (Figure 2), which signals a hazard that may cause serious injury or death if you do not follow the recommended precautions.



g000502

Figure 2

Safety-alert symbol

Introduction

This tiller is intended to be used by residential homeowners or professional, hired operators to break through hard soil conditions for planting and cultivating gardens. Using this product for purposes other than its intended use could prove dangerous to you and bystanders.

Read this information carefully to learn how to operate and maintain your product properly and to avoid injury and product damage. You are responsible for operating the product properly and safely.

Visit www.Toro.com for more information, including safety tips, training materials, accessory information, help finding a dealer, or to register your product.

Whenever you need service, genuine Toro parts, or additional information, contact an Authorized Service Dealer or Toro Customer Service and have the model and serial numbers of your product ready. Figure 1 identifies the location of the model and serial numbers on the product. Write the numbers in the space provided.

This manual uses 2 words to highlight information. **Important** calls attention to special mechanical information and **Note** emphasizes general information worthy of special attention.

Contents

Safety	3
General Safety	3
Safety and Instructional Decals	4
Setup	6
1 Assembling the Tiller	6
2 Adding Oil to the Engine	8
Product Overview	9
Controls	9
Specifications	9
Before Operation	10
Before Operation Safety	10
Performing Daily Maintenance	10
Changing the Tilling Width	10
During Operation	11
During Operation Safety	11
Starting the Engine	12
Shutting Off the Engine	12
Adjusting the Tail Mount Position	12
Adjusting the Drag Stake	13
Tilling Soil	13
After Operation	13
After Operation Safety	13
Maintenance	14
Maintenance Safety	14
Recommended Maintenance Schedule(s)	14
Pre-Maintenance Procedures	15
Preparing for Maintenance	15
Engine Maintenance	15
Servicing the Air Filter	15
Changing the Engine Oil	16
Servicing the Spark Plug	17
Belt Maintenance	18
Checking and Adjusting the Belt Tension	18
Replacing the Drive Belt	19
Cleaning	21
Cleaning the Tine Axle Shaft	21
Storage	21
Storage Safety	21
Cleaning and Storing the Machine	21
Troubleshooting	23

Safety

This machine has been designed in accordance with ANSI B71.8-2016.

⚠ DANGER

There may be buried utility lines in the work area. Digging into them may cause a shock or an explosion.

Have the property or work area marked for buried lines and do not dig in marked areas. Contact your local marking service or utility company to have the property marked (for example, in the US, call 811 for the nationwide marking service).

General Safety

This product is capable of amputating hands and feet and of throwing objects. Always follow all safety instructions to avoid serious personal injury or death.

- Read, understand, and follow the instructions and warnings in this *Operator's Manual* and on the machine and attachments before starting the engine.
- Be thoroughly familiar with the controls and the proper use of the equipment. Know how to stop the machine and disengage the controls quickly.
- Do not put your hands, feet, other body parts, or clothing near or under the rotating tines or other moving parts of the machine.
- Do not operate the machine without all proper shields, guards, and other safety protective devices in place and functioning properly on the machine.
- Keep bystanders, especially small children, and pets out of the operating area.
- Do not allow children to operate the machine. Allow only people who are responsible, trained, familiar with the instructions, and physically capable to operate the machine.
- Shut off the machine and wait for all moving parts to stop before you leave the operator's position. Disconnect the spark-plug wire, keep it away from the plug to prevent accidental starting, and allow the machine to cool before adjusting, fueling, unclogging, servicing, cleaning, or storing the machine.

Improperly using or maintaining this machine can result in injury. To reduce the potential for injury, comply with these safety instructions and always pay attention to the safety-alert symbol **⚠**, which means Caution, Warning, or Danger—personal safety

instruction. Failure to comply with these instructions may result in personal injury or death.

Safety and Instructional Decals

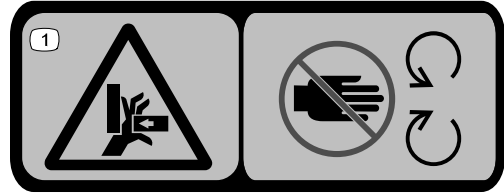


Safety decals and instructions are easily visible to the operator and are located near any area of potential danger. Replace any decal that is damaged or missing.



133-8062

decal133-8062



144-4855

decal144-4855

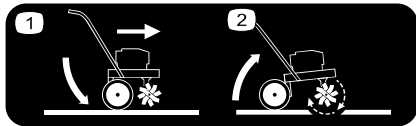
1. Crushing hazard of hands—stay away from moving parts.



144-4848

decal144-4848

1. Squeeze the throttle to engage the tines.



144-4849

decal144-4849

1. Transport position
2. Operating position



144-4853

decal144-4853

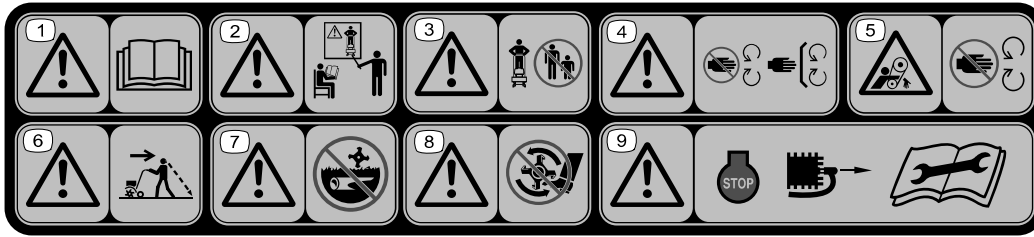
1. Engine—shut off



144-4854

decal144-4854

1. To start the machine, move the switch to the ON position, release the handle(s), place one hand on the machine and pull the recoil handle.



decal148-4868

144-4856

1. Warning—read the *Operator's Manual*.
 2. Warning—all operators should be trained before operating the machine.
 3. Warning—keep bystanders away.
 4. Warning—stay away from moving parts; keep all guards in place.
 5. Entanglement hazard, belt—stay away from moving parts.
 6. Warning—look behind you when operating the machine in reverse.
 7. Warning—do not operate over buried lines.
 8. Warning—keep feet away from moving parts.
 9. Warning—shut off the engine and disconnect the spark plug and read the *Operator's Manual* before performing maintenance.
-

Setup

Loose Parts

Use the chart below to verify that all parts have been shipped.

Procedure	Description	Qty.	Use
1	Wheel	2	Assemble the tiller.
	Tine shield	1	
	Bolt (M8 x 20 mm)	4	
	Hairpin cotter	2	
	Lock pin	1	
	Washer (M8)	4	
	Bolt (M8 x 45 mm)	2	
	Locknut (M8)	6	
	Washer (12 mm)	2	
	Bolt (M6 x 16 mm)	4	
	Locknut (M6)	4	
	Drag stake handle assembly	1	
	Axle	1	
	Left outer tine	1	
Right outer tine	1		
2	Engine oil	1	Add oil to the engine.

1

Assembling the Tiller

Parts needed for this procedure:

2	Wheel
1	Tine shield
4	Bolt (M8 x 20 mm)
2	Hairpin cotter
1	Lock pin
4	Washer (M8)
2	Bolt (M8 x 45 mm)
6	Locknut (M8)
2	Washer (12 mm)
4	Bolt (M6 x 16 mm)
4	Locknut (M6)
1	Drag stake handle assembly
1	Axle
1	Left outer tine
1	Right outer tine

Procedure

1. Install the axle and wheels to the lower tail mount.

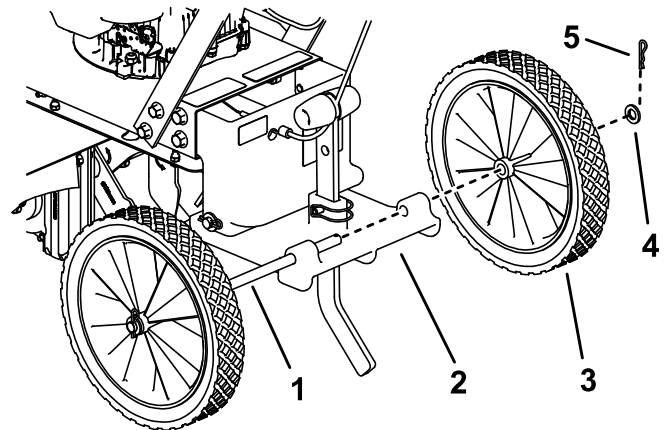


Figure 3

- | | |
|---------------------|-----------------------|
| 1. Axle | 4. Washer—12 mm (2) |
| 2. Lower tail mount | 5. Hairpin cotter (2) |
| 3. Wheel (2) | |

g356258

2. Install the tine shield. Align the slots on both sides of the shield and insert the fasteners before tightening them.

Important: Ensure that the dirt shield is between the engine-mount deck and tine shield.

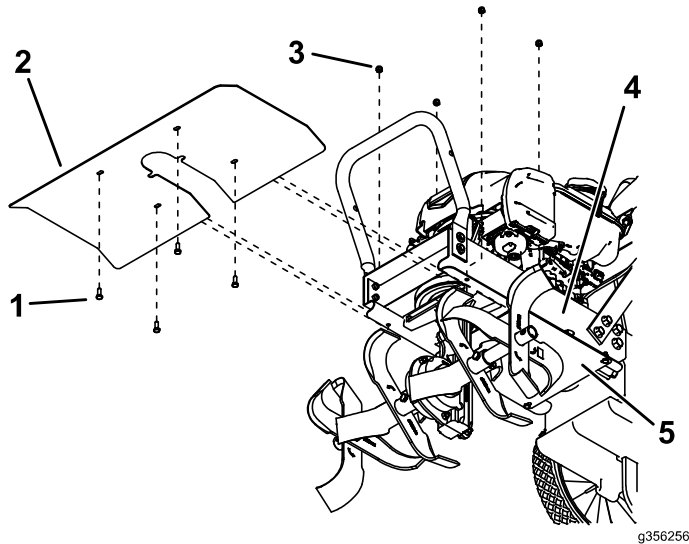


Figure 4

g356256

- | | |
|-------------------|----------------------|
| 1. Bolt—M6 (4) | 4. Engine mount deck |
| 2. Tine shield | 5. Dirt shield |
| 3. Locknut—M6 (4) | |

3. Install the tines to the desired position; refer to Changing the Tilling Width (page 10).

4. Install the upper handle assembly onto the lower loop mount.

Note: Install the bolts with the head facing outward.

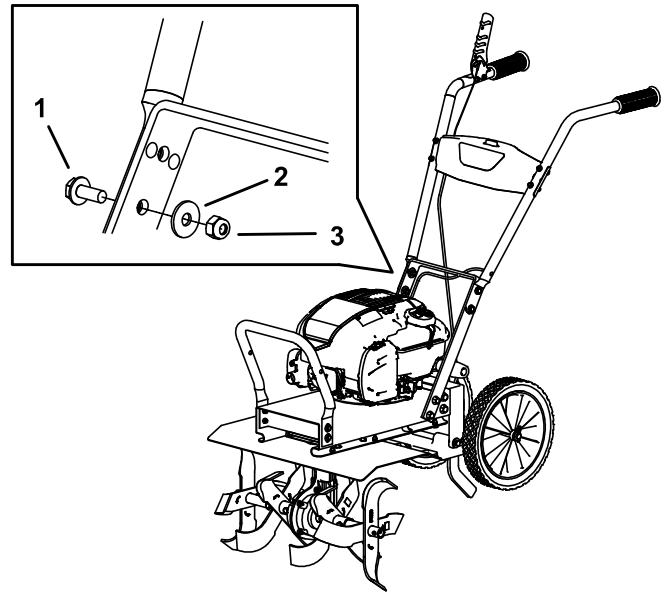


Figure 5

g356424

- | | |
|------------------------|-------------------|
| 1. Bolt—M8 x 20 mm (2) | 3. Locknut—M8 (2) |
| 2. Washer—M8 (2) | |

5. Rotate the handle to the desired position and install the upper fasteners.

Note: Use the front hole for the highest position; use the rear hole for the lowest position. Install the bolts with the head facing outward as shown in Figure 7.

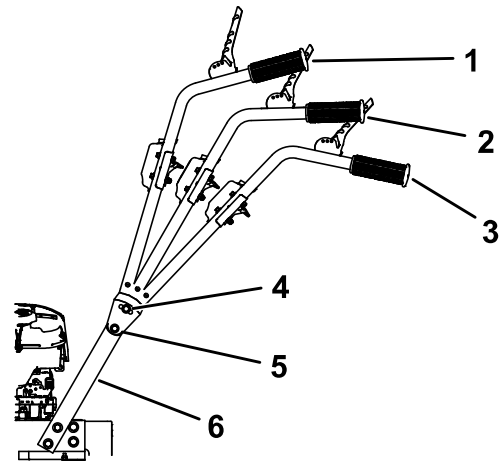


Figure 6

g356255

- | | |
|--------------------|---------------------|
| 1. High position | 4. Upper bolt |
| 2. Middle position | 5. Lower bolt |
| 3. Low position | 6. Lower loop mount |

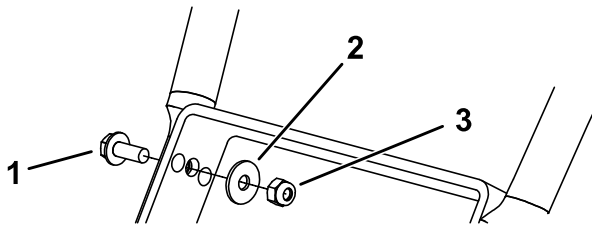


Figure 7

g356257

1. Bolt—M8 x 20 mm (2)
2. Washer—M8 (2)
3. Locknut—M8 (2)

6. Insert the drag stake through the bottom opening in the lower tail mount and secure it with the lock pin.

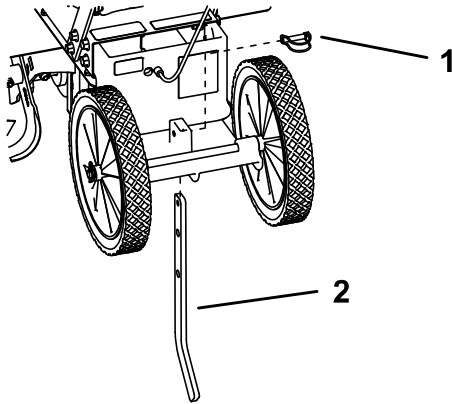


Figure 8

g356254

1. Lockpin
2. Drag stake

7. Install the drag stake handle assembly to the drag stake.

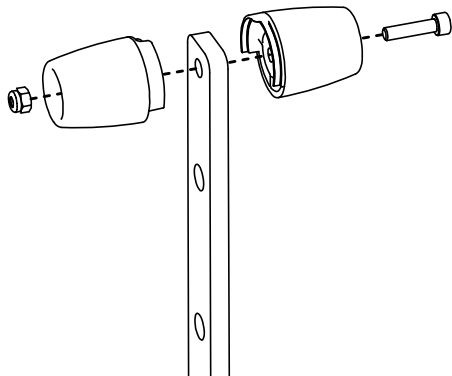


Figure 9

g356436

2

Adding Oil to the Engine

Parts needed for this procedure:

1	Engine oil
---	------------

Procedure

Important: If the oil level in the engine is too low or too high and you run the engine, you may damage the engine.

1. Move the machine to a level surface.
2. Carefully pour about 3/4 of the engine capacity of oil into the oil-fill tube.
3. Wait 3 minutes for the oil to settle in the engine.
4. Wipe the dipstick clean with a clean cloth.

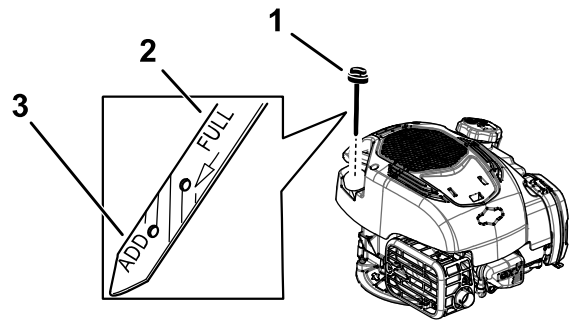


Figure 10

g334792

1. Dipstick
2. Full
3. Add

5. Insert the dipstick into the oil-fill tube, then remove the dipstick.
6. Read the oil level on the dipstick (Figure 10).
 - If the oil level on the dipstick is too low, carefully pour a small amount of oil into the oil-fill tube, wait 3 minutes, and repeat steps 4 through 6 until the oil level on the dipstick is correct.
 - If the oil level on the dipstick is too high, drain the excess oil until the oil level on the dipstick is correct.

Important: If the oil level in the engine is too low or too high and you run the engine, you may damage the engine.

7. Install the dipstick into the oil-fill tube securely.
8. Recycle the used oil properly.

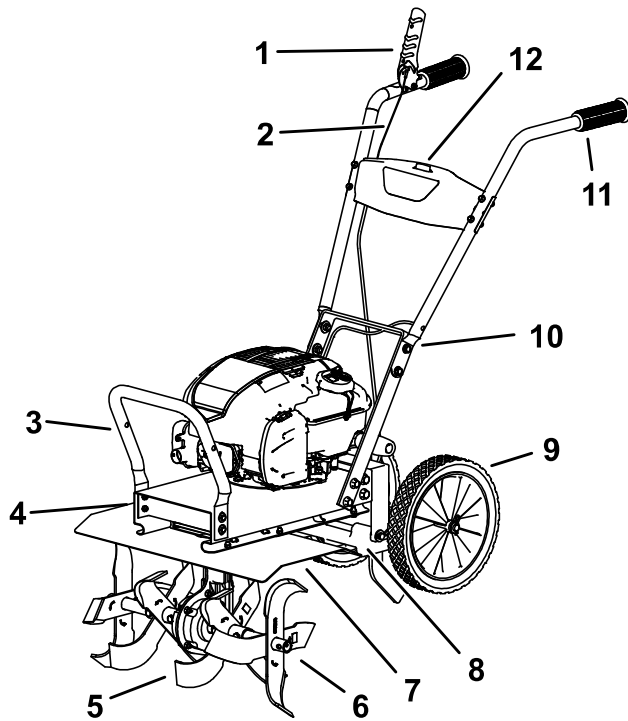
Product Overview

Specifications

Specifications and design are subject to change without notice.

Height	117.9 cm (46.4 inches)
Length	122.2 cm (48.1 inches)
Width	55.9 cm (22.0 inches)
Weight	46.7 kg (103 lb)
Tilling width	28 to 53 cm (11 to 21 inches)
Tilling depth	Up to 28 cm (11 inches)

To ensure optimum performance and continued safety certification of the machine, use only genuine Toro replacement parts and accessories. Replacement parts and accessories made by other manufacturers could be dangerous, and such use could void the product warranty.



g355853

Figure 11

- | | |
|--------------------------|----------------------------------|
| 1. Drive-control lever | 7. Tine shield |
| 2. Adjustable cable | 8. Hinged tail mount |
| 3. Bumper | 9. Wheel |
| 4. Drive belt cover | 10. Handle bar height adjustment |
| 5. Tines | 11. Hand grip |
| 6. Tine width adjustment | 12. Engine on/off switch |

Controls

Drive-Control Lever

Squeeze the drive-control lever to the hand grip to engage the tines. Release it to disengage the tines.

Engine On/Off Switch

Use the engine On/Off switch to shut the engine off. Ensure that the switch is in the ON position before starting the engine.

Operation

Note: Determine the left and right sides of the machine from the normal operating position.

Before Operation

Before Operation Safety

General Safety

- Do not allow children or untrained adults to operate or service the machine. Local regulations may restrict the age of the operator.
- Using this machine is strenuous. You must be in good physical condition and mentally alert. If you have any condition that might be aggravated by strenuous work, check with your doctor before operating the machine.
- Shut off the machine and wait for all moving parts to stop before you leave the operator's position. Disconnect the spark-plug wire, keep it away from the plug to prevent accidental starting, and allow the machine to cool before adjusting, fueling, unclogging, servicing, cleaning, or storing the machine.
- Become familiar with the safe operation of the equipment, operator controls, and safety signs.
- Check that all guards and safety devices, such as deflectors, are in place and functioning properly. Do not operate the machine unless they are functioning properly.
- Know how to shut off the engine quickly.
- Keep bystanders, especially small children, and pets out of the operating area.
- Thoroughly inspect the area where you will use the machine and remove all objects that could interfere with the operation of the machine or that the machine could throw.

Fuel Safety

- Use extreme care in handling fuel. It is extremely flammable and its vapors are explosive.
- Extinguish all cigarettes, cigars, pipes, and other sources of ignition.
- Use only an approved fuel container.
- Do not remove the fuel cap or add fuel to the tank while the engine is running or hot.
- Allow the engine to cool before filling the fuel tank.
- Do not fill the fuel tank indoors.

- Do not overfill the fuel tank. Replace the fuel cap and tighten it securely after fueling. Clean up spilled fuel before starting the engine.
- Do not fill containers inside a vehicle or on a truck or trailer bed with a plastic liner. Always place containers on the ground, away from the vehicle before filling.
- Remove the machine from the truck or trailer before filling the fuel tank. If this is not possible, then add fuel from a portable container rather than from a fuel-dispenser nozzle.
- Keep the fuel-dispenser nozzle in contact with the rim of the fuel tank or container opening at all times until fueling is complete. Do not use a nozzle lock-open device.
- If you spill fuel on your clothing, change your clothing immediately.
- If you spill fuel, do not attempt to start the engine; move the machine away from the spill and avoid creating a source of ignition until the fuel vapors have dissipated.
- If you must drain the fuel tank, do it outdoors.
- Store fuel in a fuel container and keep it out of the reach of children.
- Do not store the machine with fuel in the fuel tank or fuel container where there is an open flame, spark, or pilot light, such as on a water heater or other appliance. Allow the engine to cool before storing the machine in any enclosure.
- Fuel is harmful or fatal if swallowed. Long-term exposure to vapors can cause serious injury and illness.
 - Avoid prolonged breathing of vapors.
 - Keep your hands and face away from the nozzle and the fuel-tank opening.
 - Keep fuel away from your eyes and skin.

Performing Daily Maintenance

Before starting the machine each day, perform the Each Use/Daily procedures listed in Maintenance (page 14).

Changing the Tilling Width

1. Move the machine to a level surface, shut off the engine, and wait for all moving parts to stop.
2. Remove the 2 bolts (M8 x 45 mm) and 2 locknuts (M8) securing the outer tines to the machine.
3. Install the outer tines to the desired position.

Note: The arrow on the tines must point in the point the direction of forward rotation (counterclockwise, when viewed from the left side).

- For a 40.6 cm (16 inch) tilling width, install the outer tines with the short end of the tine pipe facing toward the center of the machine.

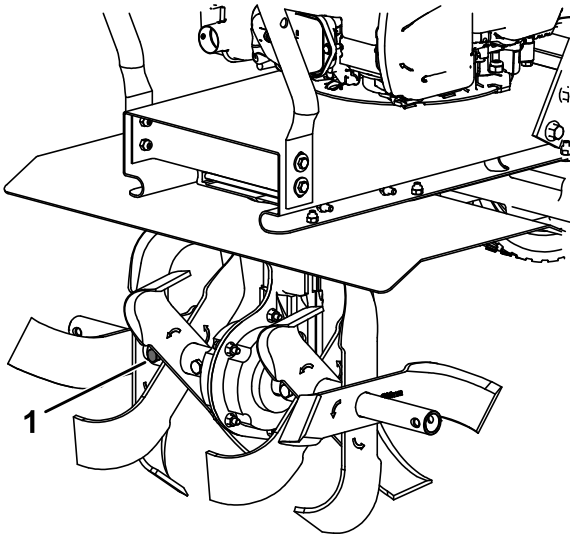


Figure 12

g356250

1. Bolt and locknut (2)

- For a 53.3 cm (21 inch) tilling width, install the outer tines with the short end of the tine pipe facing toward the outside of the machine.

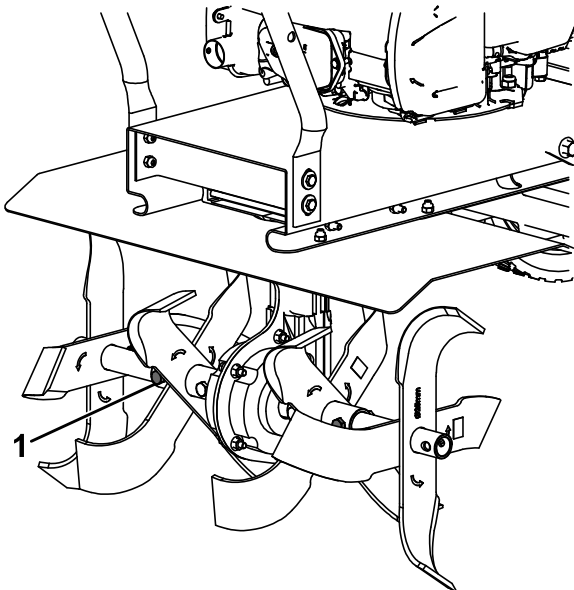


Figure 13

g356253

1. Bolt and locknut (2)

4. Secure the outer tines using the 2 bolts and 2 locknuts.

During Operation

During Operation Safety

General Safety

- Use your full attention while operating the machine. Do not engage in any activity that causes distractions; otherwise, injury or property damage may occur.
- Do not operate the machine while ill, tired, or under the influence of alcohol or drugs.
- Wear appropriate clothing, including eye protection; long pants; substantial, slip-resistant footwear; hearing protection; and gloves. Tie back long hair and do not wear loose clothing or loose jewelry.
- Keep your hands, feet, other body parts, and clothing away from rotating tines and moving parts of the machine. The tines begin rotating when you start the engine and may continue to rotate momentarily after you shut off the engine.
- Start the engine carefully according to instructions in this *Operator's Manual* and with your feet well away from the tines.
- Use extreme caution when reversing or pulling the machine toward you. To avoid getting pinned against a structure, allow enough distance to reverse direction near a wall or fence.
- Keep bystanders out of the operating area. Keep small children out of the operating area and under the watchful care of a responsible adult who is not operating the machine. Stop the machine if anyone enters the area.
- Before you start the engine, ensure that all drives are in neutral and you are in the operating position.
- Operate the machine only in good visibility and appropriate weather conditions. Do not operate the machine when there is the risk of lightning.
- Do not attempt to adjust the machine while the engine is running.
- If the machine strikes an object or starts to vibrate abnormally, immediately shut off the engine, wait for all moving parts to stop, and disconnect the wire from the spark plug before examining the machine for damage. Vibration is often a warning sign of trouble. Make all necessary repairs before resuming operation.
- Do not operate the machine at high transport speeds on hard or slippery surfaces.
- Look behind and down and use care when reversing.

- Do not overload the machine capacity by attempting to till or cultivate too deep and at too fast a rate.
- Do not pick up or carry a machine while the engine is running.
- Exercise caution and be sure of your footing, especially when backing up, to avoid slipping or falling.
- Be careful when operating the machine in hard ground. The tines can catch in the ground and propel the machine forward. If this occurs, let go of the machine; do not try to restrain it.
- Exercise extreme caution when crossing gravel surfaces. Stay alert for hidden hazards or traffic.
- Do not leave a running machine unattended.
- Shut off the machine and wait for all moving parts to stop before you leave the operator's position. Disconnect the spark-plug wire, keep it away from the plug to prevent accidental starting, and allow the machine to cool before adjusting, fueling, unclogging, servicing, cleaning, or storing the machine.
- Operate the engine only in well-ventilated areas. Exhaust gases contain carbon monoxide, which is an odorless, deadly poison.
- Use only accessories and attachments approved by The Toro® Company.
- Do not change the engine governor settings or overspeed the engine.
- Always be sure of your footing; keep a firm hold on the handle and walk, never run.
- Allow the muffler and engine area to cool before touching them.
- The tines should not rotate when the engine is idling; if they do rotate, contact your Authorized Service Dealer.
- If an object becomes lodged in the tines, shut off the engine, disconnect the wire from the spark plug, and allow the engine to cool before removing the object.
- Do not operate the machine on steep slopes. To prevent overturning, operate the machine up and down the slope.

sharply. Allow the rope to return to the handle slowly.

Note: If the machine does not start after several attempts, contact an Authorized Service Dealer.

Shutting Off the Engine

1. Release the drive-control lever.
2. Move the engine on/off switch to the OFF position.
3. Wait for all moving parts to stop before leaving the operating position.

Adjusting the Tail Mount Position

Use the handle on the drag stake to rotate the hinged tail mount to the Transport or Operating positions.

⚠ CAUTION

Rotating the hinged tail mount can create a pinching hazard between the upper and lower portions of the tail mount.

Keep away from the pivot points when adjusting the tail mount position.

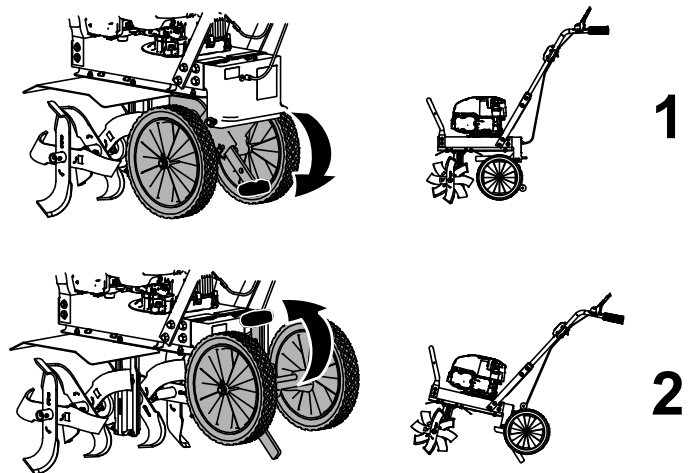


Figure 14

1. Transport position—rotate the hinged tail mount downward
2. Operating position—rotate the hinged tail mount upward

g356094

Starting the Engine

1. Set the engine on/off switch to the ON position.
2. Pull the recoil-start handle.

Note: When you pull the recoil-start handle, pull it lightly until you feel resistance, then pull it

Adjusting the Drag Stake

The drag stake helps regulate tilling depth and prevents the tiller from jerking forward during operation. Set the drag stake in the lowest position to increase resistance to forward motion and to dig deeper; raise the drag stake for transport.

1. Move the machine to a level surface, shut off the engine, and wait for all moving parts to stop.
2. Remove the lock pin.

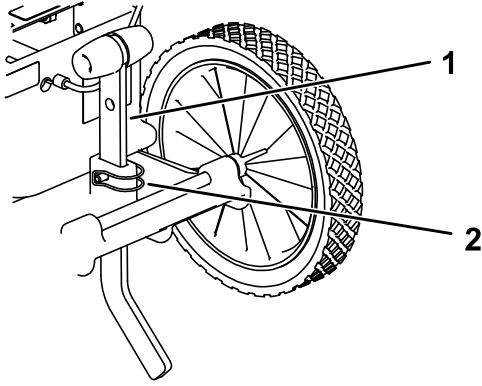


Figure 15

g356423

1. Drag stake
2. Lock pin

-
3. Position the drag stake to the desired depth.

Note: Adjust the drag stake 1 hole at a time and test the tiller operation after each adjustment. Raising the drag stake too high can result in loss of control of the tiller.

4. Secure the drag stake with the lock pin.

Tilling Soil

1. Adjust the drag stake to the desired depth; refer to Adjusting the Drag Stake (page 13).
2. Squeeze the drive-control lever to engage the tines.
3. Till soil as required.
4. Release the drive-control lever to disengage the tines.

After Operation

After Operation Safety

General Safety

- Shut off the machine and wait for all moving parts to stop before you leave the operator's position. Disconnect the spark-plug wire, keep it away from the plug to prevent accidental starting, and allow the machine to cool before adjusting, fueling, unclogging, servicing, cleaning, or storing the machine.
- Clean debris from the machine to help prevent fires. Clean up oil or fuel spills.

Hauling Safety

- Disconnect the wire from the spark plug before loading the machine for hauling.
- Use care when loading or unloading the machine.

Maintenance

Maintenance Safety

- Inspect the machine frequently to ensure that it is in safe working condition and that shear bolts, engine-mounting bolts, and other fasteners are properly tightened.
- Shut off the machine and wait for all moving parts to stop before you leave the operator's position. Disconnect the spark-plug wire, keep it away from the plug to prevent accidental starting, and allow the machine to cool before adjusting, fueling, unclogging, servicing, cleaning, or storing the machine.
- Wear gloves and eye protection when servicing the machine.
- Never tamper with safety devices. Check their proper operation regularly.
- To ensure optimum performance of the machine, use only genuine Toro replacement parts and accessories. Replacement parts and accessories made by other manufacturers could be dangerous, and such use could void the product warranty.
- Replace tines that are bent, damaged, or loose; do not repair or alter them.
- Keep the machine, attachments, and accessories in safe working condition.
- Do not attempt to repair the machine unless you have the proper tools and instructions for disassembling, assembling, and repairing the machine.

Recommended Maintenance Schedule(s)

Maintenance Service Interval	Maintenance Procedure
Before each use or daily	<ul style="list-style-type: none">• Check the engine-oil level and add oil as needed.• Check the belt tension.• Clean debris from cooling fins, air inlets and linkages.
Every 2 hours	<ul style="list-style-type: none">• Check the belt tension.
Every 10 hours	<ul style="list-style-type: none">• Clean the tine axle shaft.
Every 25 hours	<ul style="list-style-type: none">• Service the air filter; service it more frequently in dusty operating conditions.
Every 50 hours	<ul style="list-style-type: none">• Replace the drive belt.• Lubricate moving parts using 30-weight oil.
Every 100 hours or yearly, whichever comes first	<ul style="list-style-type: none">• Check the spark plug.
Yearly	<ul style="list-style-type: none">• Replace the air filter; replace it more frequently in dusty operating conditions.

Important: Refer to your engine manual for additional maintenance procedures

Pre-Maintenance Procedures

Preparing for Maintenance

1. Move the machine to a level surface, shut off the engine, and wait for all moving parts to stop.
2. Disconnect the spark-plug wire from the spark plug.

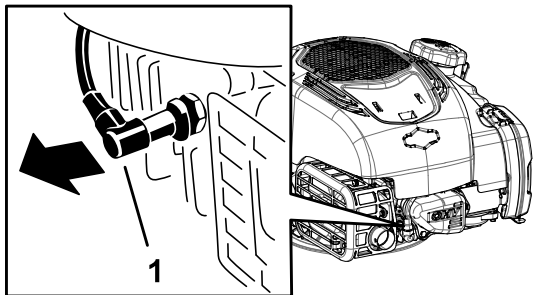


Figure 16

g339525

1. Spark-plug wire

3. After performing the maintenance procedure(s), connect the spark-plug wire to the spark plug.

Important: Before tipping the machine, allow the fuel tank to run dry through normal usage. If you must tip the machine prior to running out of fuel, use a hand fuel pump to remove the fuel.

Engine Maintenance

Servicing the Air Filter

Service Interval: Every 25 hours

Yearly

1. Unclip the top of the air-filter cover.

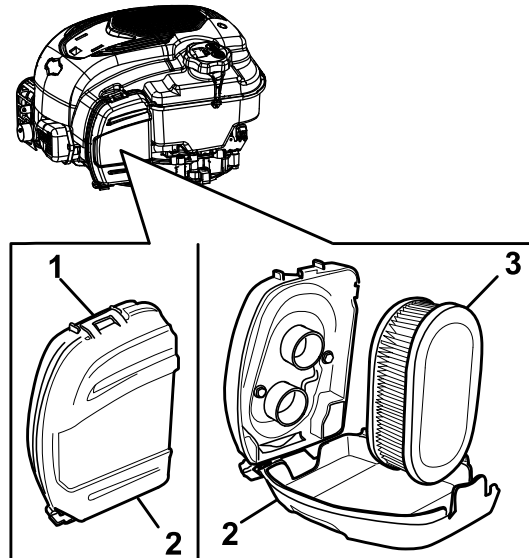


Figure 17

g334791

1. Clip
2. Air-filter cover
3. Air filter

2. Remove the air filter.
3. Inspect the air filter.

Note: If the air filter is excessively dirty, replace it with a new filter. Otherwise, gently tap the air filter on a hard surface to loosen debris.

4. Install the air filter.
5. Use the clip to install the air-filter cover.

Changing the Engine Oil

Changing the engine oil is not required, but if you want to change the oil, use the following procedure.

Note: Run the engine a few minutes before changing the oil to warm it. Warm oil flows better and carries more contaminants.

Engine Oil Specifications

Engine oil capacity	0.44 L (15 fl oz)*
Oil viscosity	SAE 30 or SAE 10W-30 detergent oil
API service classification	SJ or higher

*There is residual oil in the crankcase after you drain the oil. Do not pour the entire capacity of oil into the crankcase. Fill the crankcase with oil as directed in the following steps.

1. Move the machine to a level surface.
2. Refer to Preparing for Maintenance (page 15).
3. Remove the dipstick by rotating the cap counterclockwise and pulling it out.

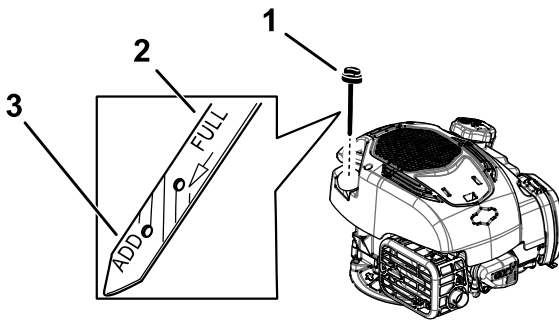


Figure 18

g334792

1. Dipstick
2. Full
3. Add

4. Tip the machine onto its side (so that the air filter is up) to drain the used oil from the oil-fill tube.

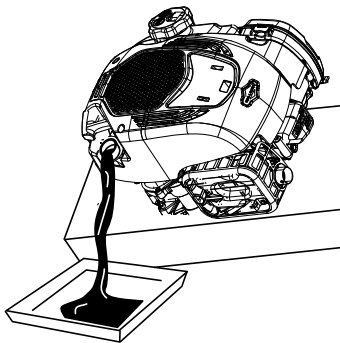


Figure 19

g356437

5. After draining the used oil, return the machine to the operating position.
6. Carefully pour about 3/4 of the engine capacity of oil into the oil-fill tube.
7. Wait 3 minutes for the oil to settle in the engine.
8. Wipe the dipstick clean with a clean cloth.
9. Insert the dipstick into the oil-fill tube, then remove the dipstick.
10. Read the oil level on the dipstick.
 - If the oil level on the dipstick is too low, carefully pour a small amount of oil into the oil-fill tube, wait 3 minutes, and repeat steps 8 through 10 until the oil level on the dipstick is correct.
 - If the oil level on the dipstick is too high, drain the excess oil until the oil level on the dipstick is correct.
11. Install the dipstick into the oil-fill tube securely.
12. Recycle the used oil properly.

Important: If the oil level in the engine is too low or too high and you run the engine, you may damage the engine.

Servicing the Spark Plug

Service Interval: Every 100 hours or yearly, whichever comes first

Ensure that the air gap between the center and side electrodes is correct before installing the spark plug.

Use a spark plug wrench for removing and installing the spark plug(s) and a gapping tool/feeler gauge to check and adjust the air gap. Install a new spark plug(s) if necessary.

Type: Champion RN9YC or equivalent

Air gap: 0.75 mm (0.03 inch)

Removing the Spark Plug

1. Disconnect the spark-plug wire from the spark plug.

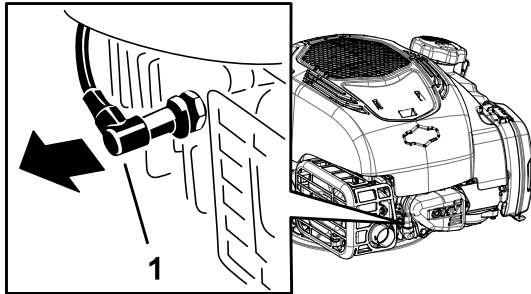


Figure 20

g339525

1. Spark-plug wire
-
2. Clean around the spark plugs to prevent dirt from entering the engine and potentially causing damage.
 3. Remove the spark plug.

Checking the Spark Plug

Important: Do not clean the spark plug(s). Always replace the spark plug(s) when it has a black coating, worn electrodes, an oily film, or cracks.

If you see light brown or gray on the insulator, the engine is operating properly. A black coating on the insulator usually means the air cleaner is dirty.

Set the gap to 0.75 mm (0.03 inch).

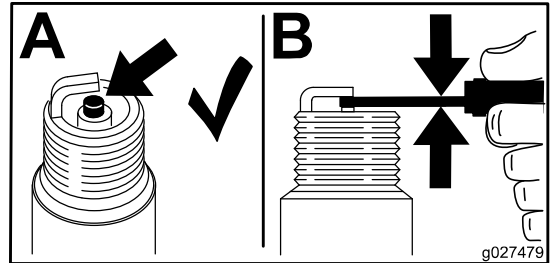


Figure 21

g027479

Installing the Spark Plug

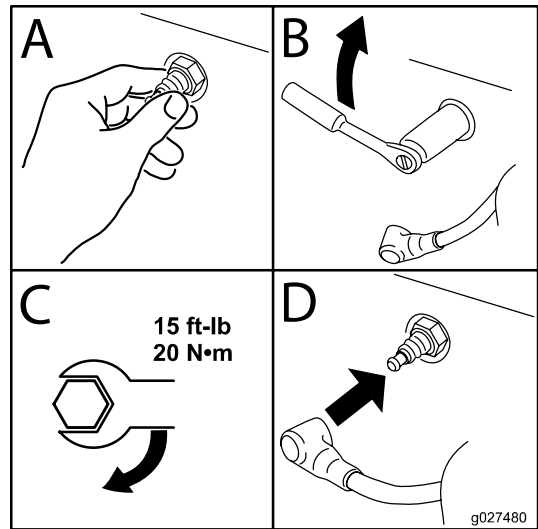


Figure 22

g027480

Belt Maintenance

Checking and Adjusting the Belt Tension

Service Interval: Before each use or daily

Every 2 hours

The belt tension may decrease over time. You may need to adjust the belt within the first half hour of operation.

Important: Check the belt tension regularly. Improper belt tension may cause premature belt wear.

The belt may need adjustment if there is a constant buzzing sound while the tines are engaged or if there is a squealing sound when the tines are engaged and under load.

Note: You may hear a short buzzing sound after releasing the drive-control lever while using the machine. This is normal and is caused by the teeth of the cogged belt contacting the wire belt guide to stop rotation. You do not need to adjust the belt tension for this.

1. Remove the dirt shield.

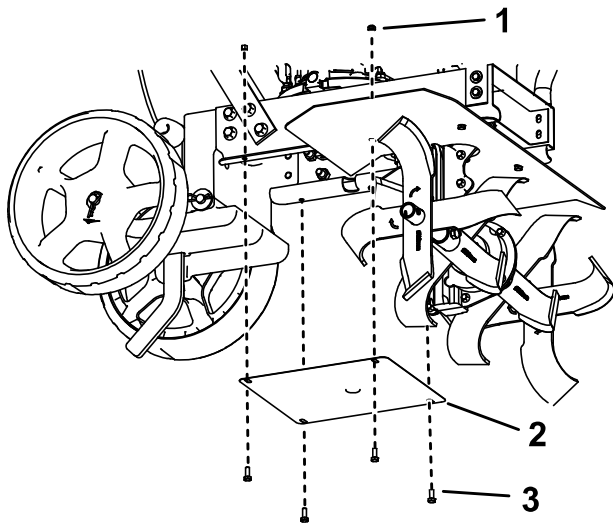


Figure 23

g356418

1. Nut (4)
2. Dirt shield
3. Bolt (4)

2. With the drive-control lever in the neutral position, measure the length of the relaxed cable spring.

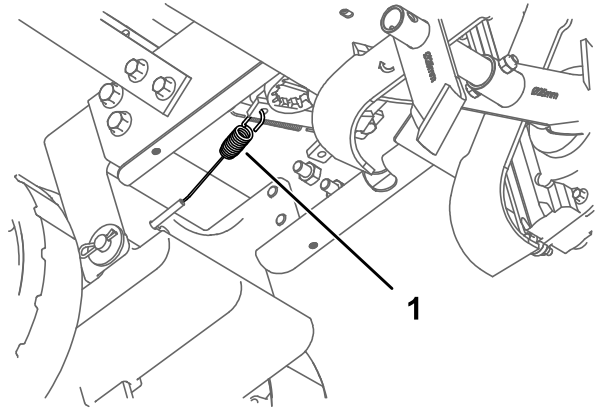


Figure 24

g356417

1. Cable spring

3. Pull down the drive-control lever and measure the length of the extended cable spring. The difference should be 0.6 cm (1/4 inch).
4. If the belt needs adjustment, hold the lower jam nut on the adjustable cable in place and adjust the upper jam nut in 0.32 cm (1/8 inch) increments. Check the tension again, and repeat as necessary.

Note: If the tension is incorrect and you cannot adjust the jam nuts further, move the Z-bend end of the cable to the next hole in the drive-control lever as shown in Figure 26. If the tension is still incorrect, replace the belt.

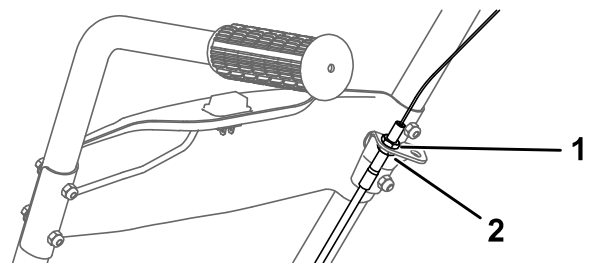


Figure 25

g356421

1. Upper jam nut
2. Lower jam nut

Replacing the Drive Belt

Service Interval: Every 50 hours/Yearly (whichever comes first)

Removing the Belt

1. Remove the dirt shield.

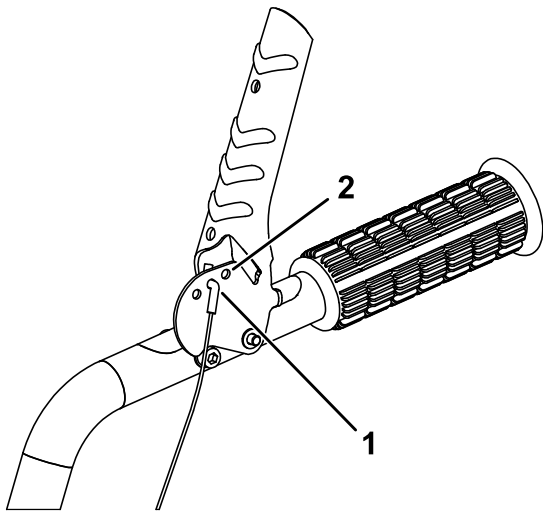


Figure 26

g361541

1. Z-bend end of cable
2. Move cable to this hole.

5. Install the dirt shield.

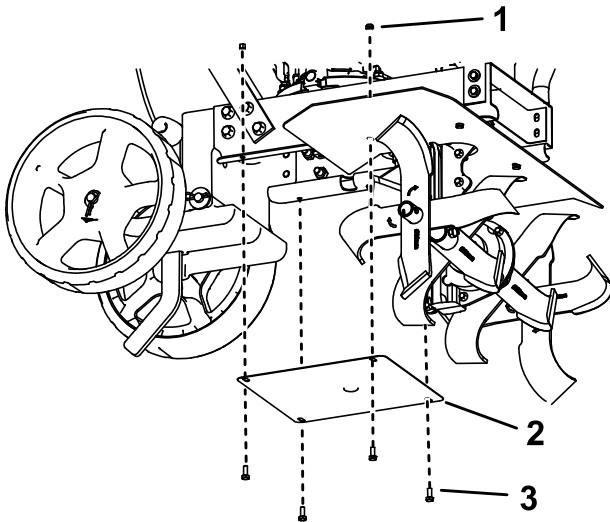


Figure 27

g356418

1. Nut (4)
2. Dirt shield
3. Bolt (4)

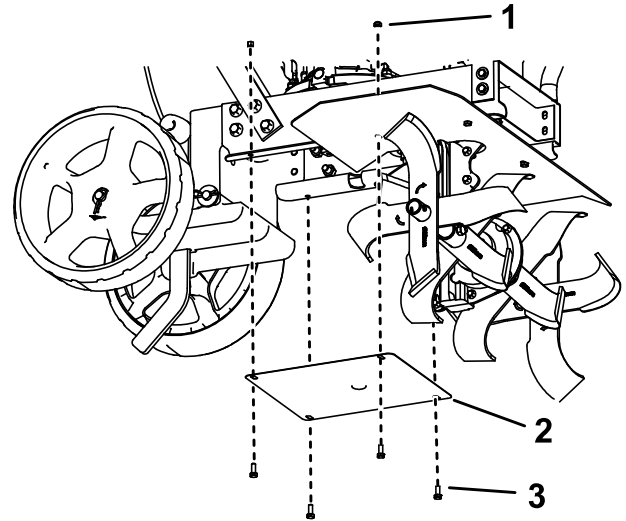


Figure 28

g356418

1. Nut (4)
2. Dirt shield
3. Bolt (4)

2. Remove the drive belt cover.

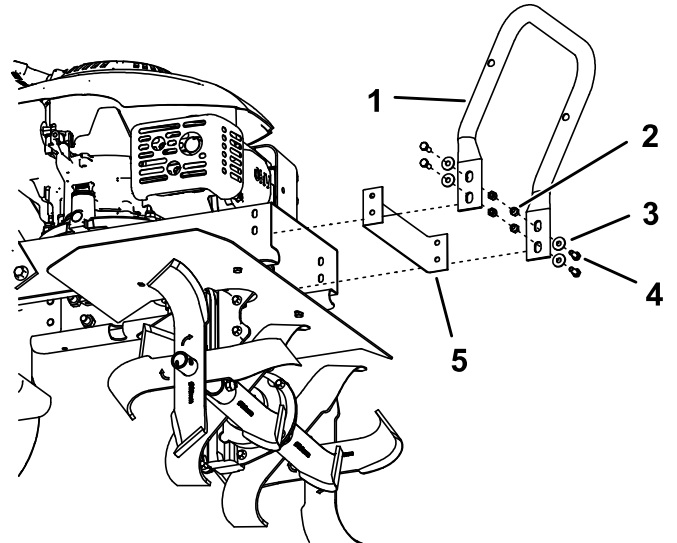


Figure 29

g356422

1. Bumper
2. Nut (4)
3. Washer (4)
4. Bolt (4)
5. Drive belt cover

3. Gently pull the engine recoil rope to rotate the pulley.

4. While the pulley turns, force the belt off the V-groove.
5. Slide the belt off the engine pulley.
6. Pull the belt down and out of the way.
7. Push the belt forward and out the front of the machine.

Installing the Belt

1. Place belt in the transmission pulley groove.
2. Gently pull the engine recoil rope to rotate the engine pulley while forcing the belt into the V-groove.
3. Install the drive belt cover.

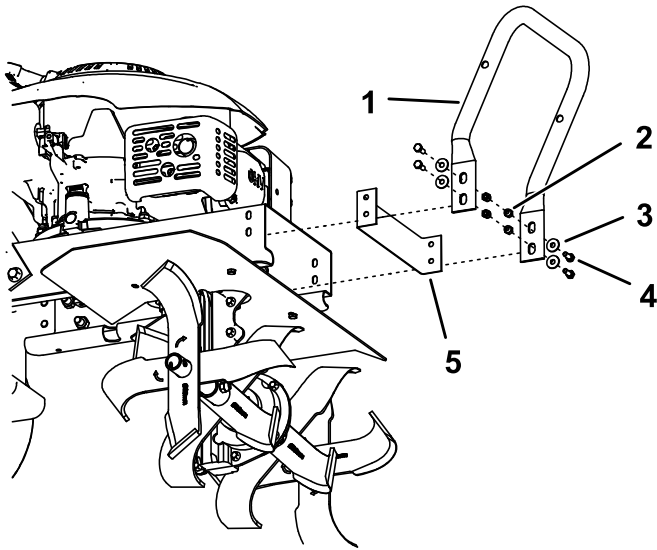


Figure 30

g356422

1. Bumper
2. Nut (4)
3. Washer (4)
4. Bolt (4)
5. Drive belt cover

4. Install the dirt shield plate.

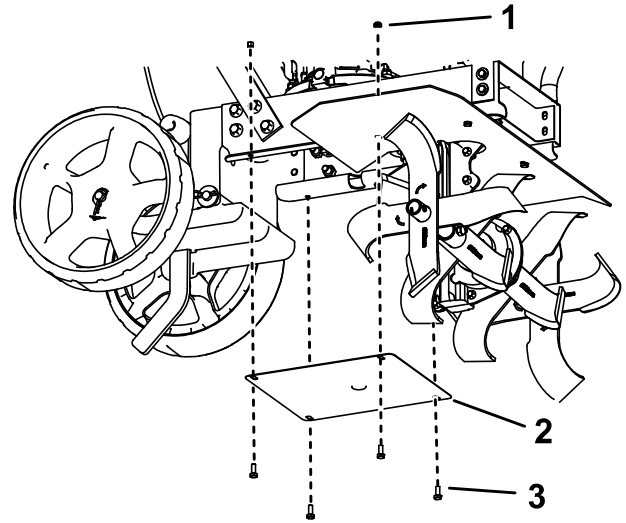


Figure 31

g356418

1. Nut (4)
2. Dirt shield
3. Bolt (4)

5. Check the belt tension; adjust it as necessary.

Cleaning

Cleaning the Tine Axle Shaft

Service Interval: Every 10 hours

Remove all vegetation, string, wire, and other material that may have accumulated on the axle between the inner tines and the transmission housing.

Storage

Storage Safety

- Shut off the machine and wait for all moving parts to stop before you leave the operator's position. Disconnect the spark-plug wire, keep it away from the plug to prevent accidental starting, and allow the machine to cool before adjusting, fueling, unclogging, servicing, cleaning, or storing the machine.
- Run the engine dry or remove the fuel with a hand pump; never siphon the fuel. If you must drain the fuel tank, do it outdoors.
- Follow the instructions in this *Operator's Manual* to safely unload, transport, and store the machine.
- Do not store the machine with fuel in the fuel tank inside a building where ignition sources are present, such as hot water and space heaters and clothes dryers. Allow the engine to cool before storing the machine in an enclosure.
- Always refer to the *Operator's Manual* for important details if the machine is to be stored for an extended period.

Cleaning and Storing the Machine

1. Park the machine on a level surface, shut off the engine, and wait for all moving parts to stop before leaving the operating position.
2. Remove debris from the tines, axle, transmission housing, and engine.

***Important:* You can wash the machine with mild detergent and water. Do not pressure-wash the machine. Avoid excessive use of water, especially near the engine and transmission.**

3. Coat the axles lightly with axle grease.
4. Service the air filter; refer to Servicing the Air Filter (page 15).
5. Prepare the machine for storage for over 30 days as follows:
 - A. Add fuel stabilizer/conditioner to fresh fuel in the tank. Follow mixing instructions from the fuel stabilizer manufacturer. Do not use an alcohol-based stabilizer (ethanol or methanol).
 - B. Run the engine to distribute conditioned fuel through the fuel system for 5 minutes.
 - C. Shut off the engine, allow it to cool, and drain the fuel tank.
 - D. Start the engine and run it until it shuts off.

- E. Dispose of fuel properly. Recycle the fuel according to local codes.

***Important:* Do not store fuel containing stabilizer/conditioner longer than the duration recommended by the fuel-stabilizer manufacturer.**

- 6. Remove and check the condition of the spark plug; refer to Checking the Spark Plug (page 17). With the spark plug removed from the engine, pour 15 ml (1 tablespoon) of engine oil into the spark plug hole. Install the spark plug and pull the recoil rope 3 times to coat the cylinder with oil. Do not install the wire on the spark plug.
- 7. Check and tighten all fasteners. Repair or replace any part that is damaged.
- 8. Paint all scratched or bare metal surfaces. Paint is available from your Authorized Service Dealer.
- 9. Store the machine in an upright position in a clean, dry garage or storage area. Keep it out of reach of children or other unauthorized users. Cover the machine to protect it and keep it clean.

Troubleshooting

Problem	Possible Cause	Corrective Action
The engine does not start.	<ol style="list-style-type: none"> 1. The fuel tank is empty. 2. The engine switch is in the OFF position. 3. The spark-plug wire is loose or disconnected. 	<ol style="list-style-type: none"> 1. Add fuel. 2. Move the switch to the ON position. 3. Install the wire on the spark plug.
The engine runs rough or floods during operation.	<ol style="list-style-type: none"> 1. The air filter is dirty. 	<ol style="list-style-type: none"> 1. Clean or replace the air filter.
The engine is difficult to start.	<ol style="list-style-type: none"> 1. Stale fuel is in the fuel system. 2. The spark-plug wire is loose or disconnected. 3. The drive-control lever is engaged. 	<ol style="list-style-type: none"> 1. Drain the fuel tank and add fresh fuel. 2. Install the wire on the spark plug. 3. Release the drive-control lever.
The engine misses or lacks power.	<ol style="list-style-type: none"> 1. The tilling depth is too deep. 2. The air cleaner is dirty or damaged. 3. The carburetor is out of adjustment. 4. The spark plug is wet, pitted, fouled, or the gap is incorrect. 5. Stale fuel is in the fuel system. 	<ol style="list-style-type: none"> 1. Raise the tines by raising the drag stake. 2. Clean or replace the air-cleaner element. 3. Contact an Authorized Service Dealer 4. Install a new, correctly gapped spark plug. 5. Drain the fuel tank and add fresh fuel.
The tiller moves forward during starting.	<ol style="list-style-type: none"> 1. The drive-control lever is compressed. 2. The belt tension is incorrect. 	<ol style="list-style-type: none"> 1. Release the drive-control lever. 2. Check the belt tension and adjust it as necessary.
The tiller is difficult to control when tilling; the machine jumps or lurches forward.	<ol style="list-style-type: none"> 1. The drag stake is set too high. 	<ol style="list-style-type: none"> 1. Lower the drag stake for greater resistance and control of the machine.
Belts squeal during forward operation.	<ol style="list-style-type: none"> 1. The belt tension is incorrect 	<ol style="list-style-type: none"> 1. Check the belt tension and adjust it as necessary.
There is a constant buzzing sound while the drive-control lever is compressed.	<ol style="list-style-type: none"> 1. The drive-control lever is not fully compressed. 2. The wire belt guide is too close to the idler pulley. 3. The belt tension is incorrect 4. The belt is stretched. 	<ol style="list-style-type: none"> 1. Fully compress the drive-control lever. 2. Properly space the wire belt guide from the idler pulley to clear the belt. 3. Check the belt tension and adjust it as necessary. 4. Replace the belt.
Excessive heat builds up in the transmission/tine area during tilling.	<ol style="list-style-type: none"> 1. Vegetation or debris is caught in the tines. 2. The transmission fluid is low. 	<ol style="list-style-type: none"> 1. Remove the vegetation or debris. 2. Check the transmission fluid and add fluid as necessary.

California Proposition 65 Warning Information

What is this warning?

You may see a product for sale that has a warning label like the following:



WARNING: Cancer and Reproductive Harm—www.p65Warnings.ca.gov.

What is Prop 65?

Prop 65 applies to any company operating in California, selling products in California, or manufacturing products that may be sold in or brought into California. It mandates that the Governor of California maintain and publish a list of chemicals known to cause cancer, birth defects, and/or other reproductive harm. The list, which is updated annually, includes hundreds of chemicals found in many everyday items. The purpose of Prop 65 is to inform the public about exposure to these chemicals.

Prop 65 does not ban the sale of products containing these chemicals but instead requires warnings on any product, product packaging, or literature with the product. Moreover, a Prop 65 warning does not mean that a product is in violation of any product safety standards or requirements. In fact, the California government has clarified that a Prop 65 warning “is not the same as a regulatory decision that a product is ‘safe’ or ‘unsafe.’” Many of these chemicals have been used in everyday products for years without documented harm. For more information, go to <https://oag.ca.gov/prop65/faqs-view-all>.

A Prop 65 warning means that a company has either (1) evaluated the exposure and has concluded that it exceeds the “no significant risk level”; or (2) has chosen to provide a warning based on its understanding about the presence of a listed chemical without attempting to evaluate the exposure.

Does this law apply everywhere?

Prop 65 warnings are required under California law only. These warnings are seen throughout California in a wide range of settings, including but not limited to restaurants, grocery stores, hotels, schools, and hospitals, and on a wide variety of products. Additionally, some online and mail order retailers provide Prop 65 warnings on their websites or in catalogs.

How do the California warnings compare to federal limits?

Prop 65 standards are often more stringent than federal and international standards. There are various substances that require a Prop 65 warning at levels that are far lower than federal action limits. For example, the Prop 65 standard for warnings for lead is 0.5 µg/day, which is well below the federal and international standards.

Why don't all similar products carry the warning?

- Products sold in California require Prop 65 labelling while similar products sold elsewhere do not.
- A company involved in a Prop 65 lawsuit reaching a settlement may be required to use Prop 65 warnings for its products, but other companies making similar products may have no such requirement.
- The enforcement of Prop 65 is inconsistent.
- Companies may elect not to provide warnings because they conclude that they are not required to do so under Prop 65; a lack of warnings for a product does not mean that the product is free of listed chemicals at similar levels.

Why does Toro include this warning?

Toro has chosen to provide consumers with as much information as possible so that they can make informed decisions about the products they buy and use. Toro provides warnings in certain cases based on its knowledge of the presence of one or more listed chemicals without evaluating the level of exposure, as not all the listed chemicals provide exposure limit requirements. While the exposure from Toro products may be negligible or well within the “no significant risk” range, out of an abundance of caution, Toro has elected to provide the Prop 65 warnings. Moreover, if Toro does not provide these warnings, it could be sued by the State of California or by private parties seeking to enforce Prop 65 and subject to substantial penalties.



Form No. 3443-829 Rev A

Count on it.

Manual del operador

Motoazada

Nº de modelo 58602—Nº de serie 321000001 y superiores



El uso o la operación del motor en cualquier terreno forestal, de monte o cubierto de hierba a menos que el motor esté equipado con parachispas (conforme a la definición de la sección 4442) mantenido en buenas condiciones de funcionamiento, o que el motor haya sido fabricado, equipado y mantenido para la prevención de incendios, constituye una infracción de la legislación de California (California Public Resource Code Section 4442 o 4443).

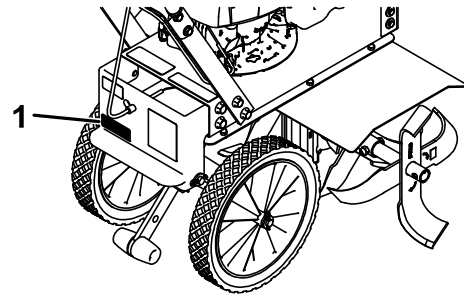
⚠ ADVERTENCIA

CALIFORNIA

Advertencia de la Propuesta 65

Los gases de escape de este producto contienen productos químicos que el Estado de California sabe que causan cáncer, defectos congénitos u otros peligros para la reproducción.

El uso de este producto puede provocar la exposición a sustancias químicas que el Estado de California considera causantes de cáncer, defectos congénitos u otros trastornos del sistema reproductor.



g355851

Figura 1

1. Ubicación de los números de modelo y de serie

Nº de modelo _____

Nº de serie _____

Este manual identifica peligros potenciales y contiene mensajes de seguridad identificados por el símbolo de alerta de seguridad (Figura 2), que señala un peligro que puede causar lesiones graves o la muerte si usted no sigue las precauciones recomendadas.



g000502

Figura 2

Símbolo de alerta de seguridad

Introducción

Esta motoazada está diseñada para ser usada por usuarios domésticos o por operadores profesionales contratados para romper suelos duros para plantar y cultivar jardines. El uso de este producto para otros propósitos que los previstos podría ser peligroso para usted y para otras personas.

Lea este manual detenidamente para aprender a utilizar y mantener correctamente su producto, y para evitar lesiones y daños al producto. Usted es responsable de utilizar el producto de forma correcta y segura.

Visite www.Toro.com para obtener más información, incluidos consejos de seguridad, materiales de formación, información sobre accesorios, ayuda para encontrar a un distribuidor o para registrar su producto.

Cuando necesite asistencia técnica, piezas genuinas Toro o información adicional, póngase en contacto con un Distribuidor de Servicio Autorizado o con Asistencia al Cliente Toro, y tenga a mano los números de modelo y serie de su producto. La Figura 1 identifica la ubicación de los números de serie y de modelo en el producto. Escriba los números en el espacio provisto.

Este manual utiliza 2 palabras para resaltar información. **Importante** llama la atención sobre información mecánica especial, y **Nota** resalta información general que merece una atención especial.

Contenido

Seguridad	3
Seguridad general	3
Pegatinas de seguridad e instrucciones	4
Montaje	6
1 Montaje de la motoazada	6
2 Añadir aceite al motor	8
El producto	10
Controles	10
Especificaciones	10
Antes del funcionamiento	11
Seguridad antes del uso	11
Mantenimiento diario	12
Modificación de la anchura de trabajo	12
Durante el funcionamiento	12
Seguridad durante el uso	12
Arranque del motor	13
Apagado del motor	13
Ajuste de la posición del soporte trasero	13
Ajuste de la barra de arrastre	14
Laboreo	15
Después del funcionamiento	15
Seguridad tras el uso	15
Mantenimiento	16
Seguridad durante el mantenimiento	16
Calendario recomendado de mantenimiento	16
Procedimientos previos al mantenimiento	17
Preparación para el mantenimiento	17
Mantenimiento del motor	17
Mantenimiento del filtro de aire	17
Cómo cambiar el aceite del motor	18
Mantenimiento de la bujía	19
Mantenimiento de las correas	20
Comprobación y ajuste de la tensión de la correa.....	20
Sustitución de la correa de transmisión	21
Limpieza	23
Limpieza del eje de las fresas	23
Almacenamiento	23
Seguridad durante el almacenamiento	23
Limpieza y almacenamiento de la máquina	23
Solución de problemas	25

Seguridad

Esta máquina ha sido diseñada de conformidad con la norma ANSI B71.8-2016.

PELIGRO

Puede haber conducciones de servicios enterradas en la zona de trabajo. Si se perforan, pueden causar descargas eléctricas o explosiones.

Marque las áreas de la zona de trabajo que contienen tendidos enterrados, y no excave en las zonas marcadas. Póngase en contacto con su servicio de marcado local o con su compañía de electricidad/agua, etc., para que marquen las áreas de la zona de trabajo (por ejemplo, en los Estados Unidos, llame al 811 para contactar con el servicio de marcado nacional).

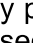
Seguridad general

Este producto puede amputar manos y pies y lanzar objetos. Siga siempre todas las instrucciones de seguridad con el fin de evitar lesiones personales graves o la muerte.

- Antes de arrancar el motor, lea, comprenda y siga las instrucciones y advertencias de este *Manual del operador* y las que están colocadas en la máquina y en los accesorios.
- Familiarícese bien con los controles y con el uso correcto del equipo. Sepa cómo parar la máquina y desenganar los controles rápidamente.
- No coloque las manos, los pies, otras partes del cuerpo o la ropa cerca de o debajo de las fresas rotativas u otras piezas móviles de la máquina.
- No haga funcionar la máquina si no están colocados y funcionando todos los protectores, defensas y dispositivos de seguridad de la máquina.
- No permita que entren otras personas, especialmente niños pequeños, ni animales domésticos, en la zona de trabajo.
- No permita que este vehículo sea utilizado por niños. Sólo permita que manejen la máquina personas responsables, formadas y familiarizadas con las instrucciones, y físicamente capaces de utilizar la máquina.
- Apague la máquina y espere a que se detengan todas las piezas en movimiento antes de abandonar el puesto del operador. Desconecte el cable de la bujía, manténgalo alejado de la bujía para evitar un arranque accidental, y deje que la máquina se enfríe antes de ajustar,

repostar, desatasca, revisar, limpiar o almacenar la máquina.

El uso o mantenimiento incorrecto de esta máquina puede causar lesiones. Para reducir el peligro de lesiones, cumpla estas instrucciones de seguridad

y preste atención siempre al símbolo de alerta de seguridad , que significa: Cuidado, Advertencia o Peligro – instrucción relativa a la seguridad personal. El incumplimiento de estas instrucciones puede dar lugar a lesiones personales o la muerte.

Pegatinas de seguridad e instrucciones

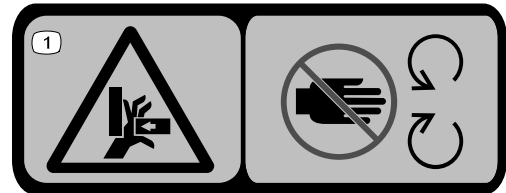


Las pegatinas de seguridad e instrucciones están a la vista del operador y están ubicadas cerca de cualquier zona de peligro potencial. Sustituya cualquier pegatina que esté dañada o que falte.



133-8062

decal133-8062



144-4855

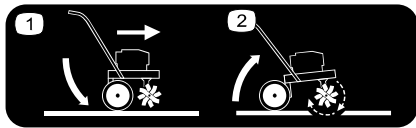
decal144-4855



144-4848

decal144-4848

1. Apriete el acelerador para engranar las fresas.



144-4849

decal144-4849

1. Posición de transporte
2. Posición de trabajo



144-4853

decal144-4853

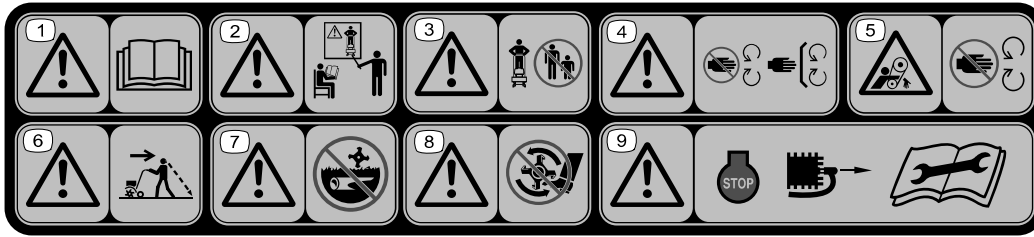
1. Motor – apagar



144-4854

decal144-4854

1. Para arrancar la máquina, mueva el interruptor a la posición de CONECTADO, suelte el manillar, coloque una mano en la máquina y tire de la cuerda del arrancador.



decal148-4868

144-4856

1. Advertencia – lea el *Manual del operador*.
 2. Advertencia – todos los operadores deberían capacitarse antes de operar la máquina.
 3. Advertencia – no permita que se acerquen otras personas.
 4. Advertencia – no se acerque a las piezas en movimiento; mantenga colocados todos los protectores.
 5. Peligro de enredamiento, correa – no se acerque a las piezas en movimiento.
 6. Advertencia – mire hacia atrás mientras utiliza la máquina en marcha atrás.
 7. Advertencia – no trabaje encima de tendidos subterráneos.
 8. Advertencia – mantenga los pies alejados de las piezas en movimiento.
 9. Advertencia – apague el motor, desconecte la bujía y lea el *Manual del operador* antes de realizar cualquier tarea de mantenimiento.
-

Montaje

Piezas sueltas

Utilice la tabla siguiente para verificar que no falta ninguna pieza.

Procedimiento	Descripción	Cant.	Uso
1	Rueda	2	Montaje de la motoazada.
	Protector de fresas	1	
	Perno (M8 x 20 mm)	4	
	Chaveta	2	
	Pasador de bloqueo	1	
	Arandela (M8)	4	
	Perno (M8 x 45 mm)	2	
	Contratuercas (M8)	6	
	Arandela (12 mm)	2	
	Perno (M6 x 16 mm)	4	
	Contratuercas (M6)	4	
	Asa de la barra de arrastre	1	
	Eje	1	
	Fresa exterior izquierda	1	
Fresa exterior derecha	1		
2	Aceite del motor	1	Añada aceite al motor.

1

Montaje de la motoazada

Piezas necesarias en este paso:

2	Rueda
1	Protector de fresas
4	Perno (M8 x 20 mm)
2	Chaveta
1	Pasador de bloqueo
4	Arandela (M8)
2	Perno (M8 x 45 mm)
6	Contratuercas (M8)
2	Arandela (12 mm)
4	Perno (M6 x 16 mm)
4	Contratuercas (M6)
1	Asa de la barra de arrastre
1	Eje
1	Fresa exterior izquierda
1	Fresa exterior derecha

Procedimiento

1. Instale el eje y las ruedas en el soporte inferior trasero.

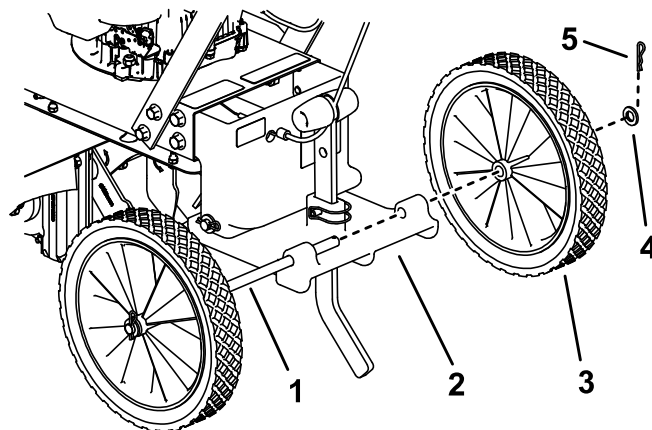


Figura 3

- | | |
|-----------------------------|------------------------|
| 1. Eje | 4. Arandela –12 mm (2) |
| 2. Soporte inferior trasero | 5. Chaveta (2) |
| 3. Rueda (2) | |

g356258

2. Instale el protector de fresas. Alinee las ranuras de ambos lados del protector e inserte las fijaciones antes de apretarlas.

Importante: Asegúrese de que el deflector de tierra está entre la carcasa de montaje del motor y el protector de fresas.

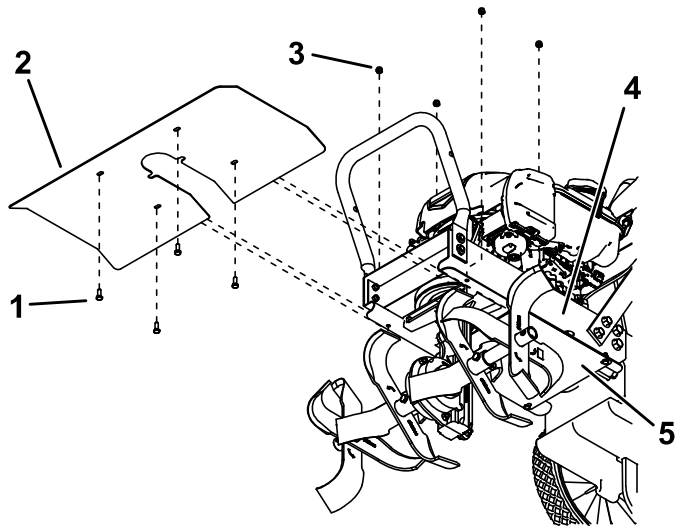


Figura 4

- | | |
|------------------------|---------------------------------|
| 1. Perno – M6 (4) | 4. Carcasa de montaje del motor |
| 2. Protector de fresas | 5. Deflector de tierra |
| 3. Contratuerca—M6 (4) | |

3. Instale las fresas en la posición deseada; consulte Modificación de la anchura de trabajo (página 12).

4. Instale el manillar superior en el soporte inferior.

Nota: Instale los pernos con la cabeza hacia fuera.

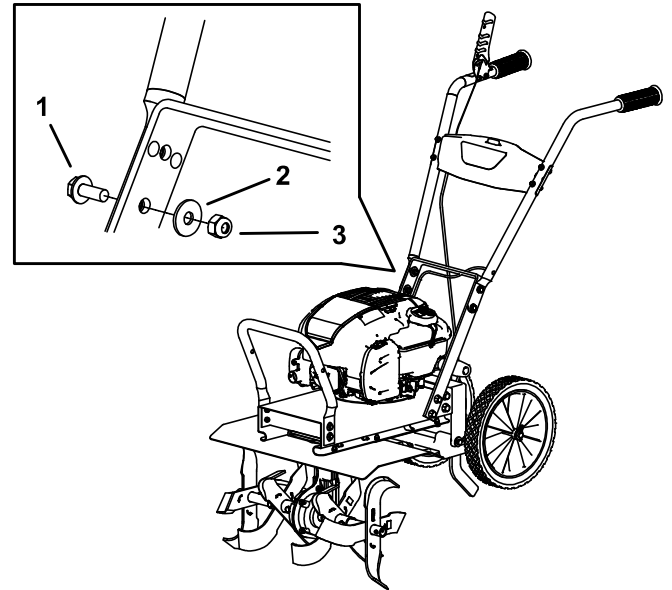


Figura 5

- | | |
|-------------------------|------------------------|
| 1. Perno—M8 x 20 mm (2) | 3. Contratuerca – M8 2 |
| 2. Arandela – M8 (2) | |

5. Gire el manillar a la posición deseada e instale las fijaciones superiores.

Nota: Utilice el orificio delantero para la posición más alta; utilice el orificio trasero para la posición más baja. Instale los pernos con la cabeza orientada hacia fuera, como se muestra en la Figura 7.

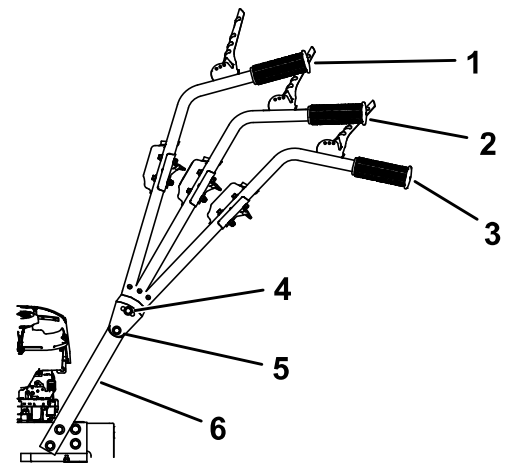


Figura 6

- | | |
|-------------------|---------------------|
| 1. Posición alta | 4. Perno superior |
| 2. Posición media | 5. Perno inferior |
| 3. Posición baja | 6. Soporte inferior |

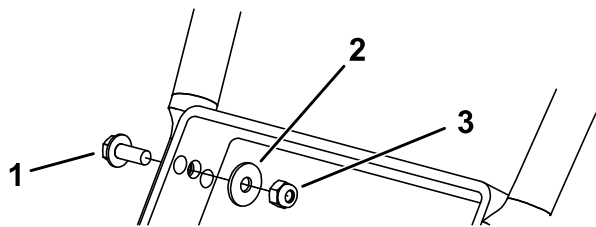


Figura 7

g356257

1. Perno—M8 x 20 mm (2)
2. Arandela – M8 (2)
3. Contratuerca – M8 2

6. Introduzca la barra de arrastre por el orificio inferior del soporte trasero inferior y sujétela con el pasador de bloqueo.

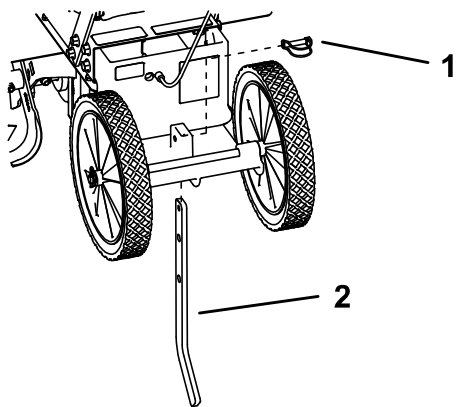


Figura 8

g356254

1. Chaveta
2. Barra de arrastre

7. Instale el asa en la barra de arrastre.

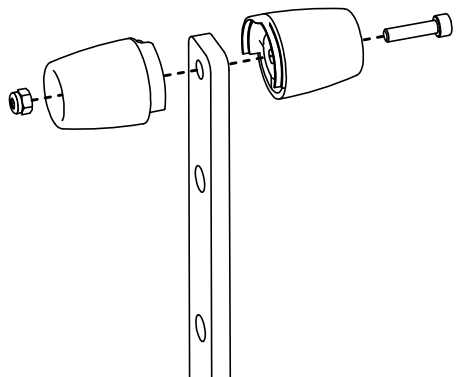


Figura 9

g356436

2

Añadir aceite al motor

Piezas necesarias en este paso:

1	Aceite del motor
---	------------------

Procedimiento

Importante: Si el nivel de aceite del motor es demasiado bajo o demasiado alto y usted arranca el motor, puede dañar el motor.

1. Traslade la máquina a una superficie nivelada.
2. Con cuidado, vierta tres cuartas partes aproximadamente de la capacidad total de aceite del motor en el tubo de llenado.
3. Espere 3 minutos para que el aceite se asiente en el motor.
4. Limpie la varilla con un trapo limpio.

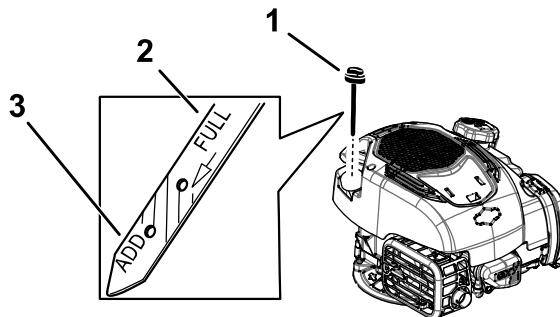


Figura 10

g334792

1. Varilla
2. Lleno
3. Añadir

5. Introduzca la varilla en el tubo de llenado de aceite, luego retire la varilla.
6. Observe el nivel de aceite en la varilla (Figura 10).
 - Si el nivel de aceite de la varilla es demasiado bajo, vierta con cuidado una pequeña cantidad de aceite en el tubo de llenado, espere 3 minutos, y repita los pasos 4 a 6 hasta que el nivel de aceite en la varilla sea correcto.
 - Si el nivel de aceite de la varilla es demasiado alto, drene el exceso de aceite hasta que el nivel de aceite en la varilla sea correcto.

Importante: Si el nivel de aceite del motor es demasiado bajo o demasiado alto y usted arranca el motor, puede dañar el motor.

7. Instale la varilla firmemente en el tubo de llenado de aceite.
8. Recicle correctamente el aceite usado.

El producto

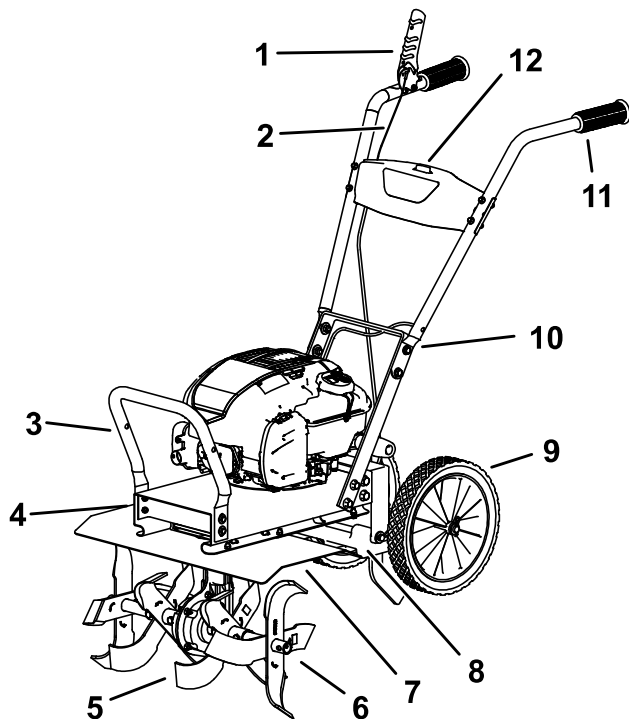


Figura 11

g355853

- | | |
|---|--|
| 1. Palanca de control de tracción | 7. Protector de fresas |
| 2. Cable ajustable | 8. Soporte abisagrado trasero |
| 3. Paragolpes | 9. Rueda |
| 4. Cubierta de la correa de transmisión | 10. Ajuste de la altura del manillar |
| 5. Fresas | 11. Empuñadura |
| 6. Ajuste de la anchura de las fresas | 12. Interruptor de encendido/apagado del motor |

Especificaciones

Las especificaciones y los diseños están sujetos a modificación sin previo aviso.

Altura	117.9 cm (46.4")
Longitud	122.2 cm (48.1")
Anchura	55.9 cm (22.0")
Peso	46.7 kg (103 libras)
Anchura de laboreo	28 cm – 53 cm (11" – 21")
Profundidad de laboreo	Hasta 28 cm (11")

Para asegurar un rendimiento óptimo y mantener la certificación de seguridad de la máquina, utilice solamente piezas y accesorios genuinos Toro. Las piezas de recambio y accesorios de otros fabricantes podrían ser peligrosos, y su uso podría invalidar la garantía del producto.

Controles

Palanca de control de tracción

Apriete la palanca de control de tracción contra la empuñadura para engranar las fresas. Suéltela para desengranar las fresas.

Interruptor de encendido/apagado del motor

Utilice el interruptor de encendido/apagado del motor para apagar el motor. Asegúrese de que el interruptor está en la posición de CONECTADO antes de arrancar el motor.

Operación

Nota: Los lados derecho e izquierdo de la máquina se determinan desde la posición normal del operador.

Antes del funcionamiento

Seguridad antes del uso

Seguridad general

- No deje que la máquina sea utilizada o mantenida por niños o por adultos que no hayan recibido la formación adecuada. La normativa local puede imponer límites sobre la edad del operador.
- El uso de esta máquina requiere esfuerzo físico. Usted debe estar en buenas condiciones físicas y mentalmente alerta. Si usted tiene algún problema de salud que pudiera agravarse con el trabajo intenso, consulte a su médico antes de utilizar la máquina.
- Apague la máquina y espere a que se detengan todas las piezas en movimiento antes de abandonar el puesto del operador. Desconecte el cable de la bujía, manténgalo alejado de la bujía para evitar un arranque accidental, y deje que la máquina se enfríe antes de ajustar, repostar, desatascar, revisar, limpiar o almacenar la máquina.
- Familiarícese con la operación segura del equipo, los controles del operador y las señales de seguridad.
- Compruebe que todos los protectores y dispositivos de seguridad, como por ejemplo los deflectores, están colocados y que funcionan correctamente. No utilice la máquina si no funcionan correctamente.
- Sepa cómo parar el motor rápidamente.
- No permita que entren otras personas, especialmente niños pequeños, ni animales domésticos, en la zona de trabajo.
- Inspeccione a fondo el área donde se va a utilizar la máquina, y retire cualquier objeto que pudiera interferir con el funcionamiento de la máquina o que pudiera ser arrojado por la máquina.
- Utilice solamente un recipiente de combustible homologado.
- No retire el tapón de combustible ni añada combustible al depósito si el motor está caliente o en marcha.
- Deje que se enfríe el motor antes de llenar el depósito de combustible.
- No llene el depósito de combustible dentro de un edificio.
- No llene el depósito de combustible en exceso. Vuelva a colocar el tapón de combustible y apriételo firmemente después de repostar. Limpie cualquier combustible derramado antes de arrancar el motor.
- No llene los recipientes dentro de un vehículo o sobre la plataforma de un camión o remolque con forro de plástico. Coloque los recipientes siempre en el suelo, lejos del vehículo, antes de llenarlos.
- Retire la máquina del camión o del remolque antes de llenar el depósito de combustible. Si esto no es posible, añada combustible con un recipiente portátil, en vez de usar un surtidor o boquilla dosificadora de combustible.
- Mantenga la boquilla dosificadora de combustible en contacto con el borde del depósito de combustible o el orificio del recipiente en todo momento hasta que termine de repostar. No utilice dispositivos que mantengan abierta la boquilla.
- Si se le derrama combustible sobre la ropa, cámbiese de ropa inmediatamente.
- Si se derrama combustible, no intente arrancar el motor; aleje la máquina del derrame y evite crear fuentes de ignición hasta que los vapores del combustible se hayan disipado.
- Si es necesario drenar el depósito, hágalo al aire libre.
- Almacene el combustible en un recipiente para combustible y manténgalo fuera del alcance de los niños.
- No almacene la máquina con combustible en el depósito de combustible, ni guarde un recipiente de combustible, donde pudiera haber una llama desnuda, chispas o una llama piloto, por ejemplo en un calentador de agua u otro electrodoméstico. Espere a que se enfríe el motor antes de guardar la máquina en un recinto cerrado.
- El combustible es dañino o mortal si es ingerido. La exposición a los vapores a largo plazo puede causar lesiones y enfermedades graves.
 - Evite la respiración prolongada de los vapores.
 - Mantenga las manos y el rostro alejados de la boquilla y de la abertura del depósito de combustible.

Seguridad – Combustible

- Extreme las precauciones al manejar el combustible. Es extremadamente inflamable y sus vapores son explosivos.
- Apague cualquier cigarrillo, cigarro, pipa u otra fuente de ignición.

- Mantenga alejado el combustible de los ojos y la piel.

Mantenimiento diario

Cada día, antes de arrancar la máquina, siga los procedimientos marcados como "Cada uso/A diario" en la sección Mantenimiento (página 16).

Modificación de la anchura de trabajo

1. Mueva la máquina a una superficie nivelada, apague el motor, y espere a que se detengan todas las piezas en movimiento.
2. Retire los 2 pernos (M8 x 45 mm) y las 2 contratuercas (M8) que sujetan las fresas exteriores a la máquina.
3. Instale las fresas exteriores en la posición deseada.

Nota: La flecha de las fresas debe apuntar en la dirección de rotación hacia adelante (en sentido antihorario, visto desde el lado izquierdo).

- Para una anchura de laboreo de 40.6 cm (16"), instale las fresas exteriores con el extremo corto del tubo de las fresas orientado hacia el centro de la máquina.

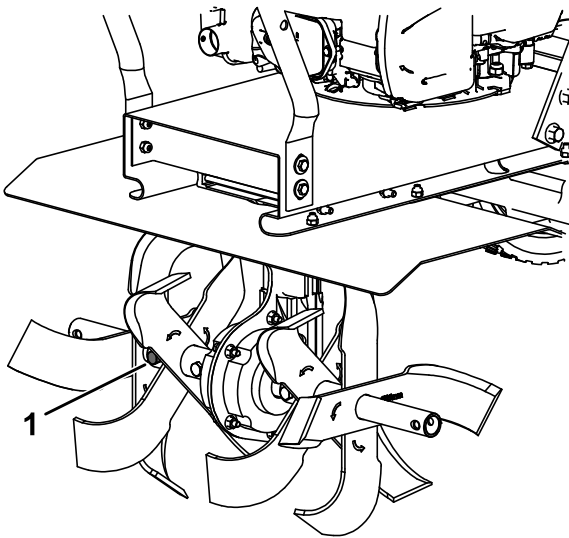


Figura 12

g356250

1. Perno y contratuerca (2)

- Para una anchura de laboreo de 53.3 cm (21"), instale las fresas exteriores con el extremo corto del tubo de las fresas orientado hacia el exterior de la máquina.

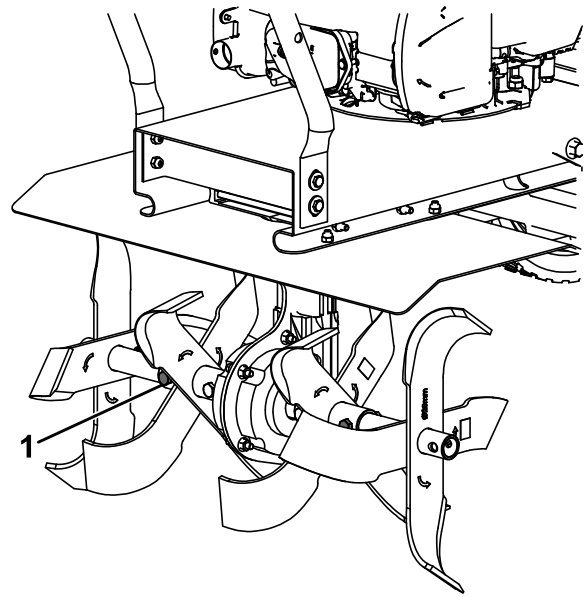


Figura 13

g356253

1. Perno y contratuerca (2)

4. Sujete las fresas exteriores usando los 2 pernos y las 2 contratuercas.

Durante el funcionamiento

Seguridad durante el uso

Seguridad en general

- Dedique toda su atención al manejo de la máquina. No realice ninguna actividad que pudiera distraerle; de lo contrario, podrían producirse lesiones o daños materiales.
- No utilice la máquina si está enfermo, cansado o bajo la influencia de alcohol o drogas.
- Lleve ropa adecuada, incluyendo protección ocular, pantalón largo, calzado resistente y antideslizante, protección auditiva y guantes. Si tiene el pelo largo, recójase, y no lleve joyas o prendas sueltas.
- Mantenga las manos, los pies, otras partes del cuerpo y la ropa alejados de las fresas en rotación y de las piezas en movimiento de la máquina. Las fresas empiezan a girar cuando el motor arranca, y pueden seguir girando momentáneamente después de que apague el motor.
- Arranque el motor con cuidado siguiendo las instrucciones de este *Manual del operador* y con los pies bien alejados de las fresas.
- Extreme las precauciones al ir hacia atrás o tirar de la máquina hacia usted. Para evitar quedarse

atrapado contra una estructura, deje una distancia suficiente para poder cambiar de dirección cerca de una pared o una valla.

- Mantenga a otras personas fuera de la zona de trabajo. Mantenga a los niños pequeños alejados de la zona de trabajo y bajo la atenta mirada de un adulto responsable que no sea el operador de la máquina. Pare la máquina si alguien entra en la zona.
- Antes de arrancar el motor, asegúrese de que todas las transmisiones están en punto muerto y que usted está en la posición de operación.
- Utilice la máquina únicamente con buena visibilidad y en condiciones meteorológicas apropiadas. No use la máquina si hay riesgo de rayos.
- No intente ajustar la máquina con el motor en marcha.
- Si la máquina golpea un objeto o empieza a vibrar anormalmente, apague inmediatamente el motor, espere a que se detengan todas las piezas en movimiento, y desconecte el cable de la bujía antes de examinar la máquina en busca de daños. La vibración es a menudo una señal de posibles problemas. Haga todas las reparaciones necesarias antes de volver a utilizar la máquina.
- No utilice la máquina a una velocidad de transporte alta sobre superficies duras o resbaladizas.
- Mire hacia atrás y hacia abajo y extreme las precauciones al trabajar en marcha atrás.
- No sobrecargue la máquina intentando arar o cultivar a demasiada profundidad y a una velocidad demasiado elevada.
- No levante ni transporte la máquina mientras el motor está en marcha.
- Extreme las precauciones y asegúrese de pisar firme, especialmente al ir hacia atrás, para evitar resbalar o caerse.
- Tenga cuidado al utilizar la máquina en suelo duro. Las fresas pueden engancharse en el suelo y propulsar la máquina repentinamente hacia adelante. Si esto ocurre, suelte la máquina; no intente retenerla.
- Extreme las precauciones al cruzar superficies de grava. Esté alerta a obstáculos ocultos y a otros vehículos.
- No deje desatendida la máquina si está en marcha.
- Apague la máquina y espere a que se detengan todas las piezas en movimiento antes de abandonar el puesto del operador. Desconecte el cable de la bujía, manténgalo alejado de la bujía para evitar un arranque accidental, y deje que la máquina se enfríe antes de ajustar,

repostar, desatasca, revisar, limpiar o almacenar la máquina.

- Haga funcionar el motor únicamente en zonas bien ventiladas. Los gases de escape contienen monóxido de carbono, que es un veneno inodoro y mortal.
- Utilice solamente accesorios y aperos homologados por The Toro® Company.
- No cambie los ajustes del regulador del motor ni haga funcionar el motor a una velocidad excesiva.
- Mire siempre donde pisa, agarre firmemente el manillar y camine, no corra nunca.
- Deje que se enfríen la zona del silenciador y del motor antes de tocarlos.
- Las fresas no deben girar cuando el motor está en ralentí; si giran, póngase en contacto con su Servicio Técnico Autorizado.
- Si algún objeto queda atrapado en las fresas, apague el motor, desconecte el cable de la bujía y deje que el motor se enfríe antes de retirar el objeto.
- No utilice la máquina en pendientes o cuestas empinadas. Para evitar vuelcos, conduzca la máquina hacia arriba y hacia abajo en pendientes.

Arranque del motor

1. Ponga el interruptor de encendido/apagado del motor en la posición de ENCENDIDO.
2. Tire del arrancador de retroceso.

Nota: Cuando tire del arrancador de retroceso, tire suavemente hasta que note resistencia; luego tire con fuerza. Deje que la cuerda vuelva al manillar lentamente.

Nota: Si la máquina no arranca después de varios intentos, póngase en contacto con el Servicio Técnico Autorizado.

Apagado del motor

1. Suelte la palanca de control de tracción.
2. Mueva el interruptor de Encendido/Apagado del motor a la posición de APAGADO.
3. Espere a que se detengan todas las piezas en movimiento antes de abandonar el puesto del operador.

Ajuste de la posición del soporte trasero

Utilice el asa de la barra de arrastre para girar el soporte trasero abisagrado a las posiciones de transporte o de trabajo.

⚠ CUIDADO

Al girar el soporte abisagrado trasero puede haber un peligro de aprisionamiento entre las partes superior e inferior del soporte trasero.

Manténgase alejado de los puntos de giro al ajustar la posición del soporte trasero.

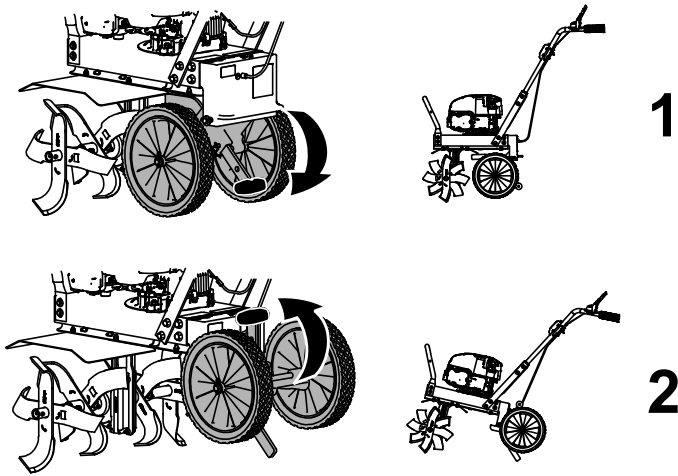


Figura 14

1. Posición de transporte - gire hacia abajo el soporte trasero abisagrado
2. Posición de trabajo - gire hacia arriba el soporte trasero abisagrado

Ajuste de la barra de arrastre

La barra de arrastre ayuda a regular la profundidad de laboreo y evita que la motozadora salte bruscamente hacia adelante durante el uso. Ajuste la barra de arrastre a la posición más baja para aumentar la resistencia al movimiento hacia adelante, y para excavar a mayor profundidad; eleve la barra de arrastre para el transporte.

1. Mueva la máquina a una superficie nivelada, apague el motor, y espere a que se detengan todas las piezas en movimiento.
2. Retire el pasador de bloqueo.

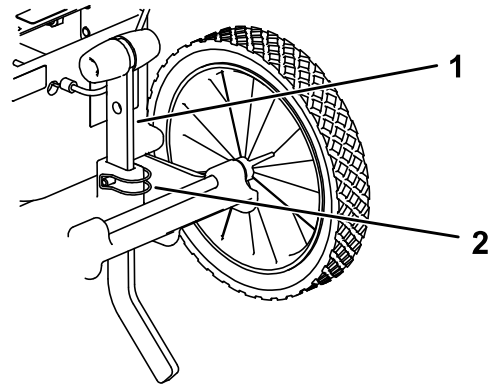


Figura 15

1. Barra de arrastre
2. Pasador de bloqueo

3. Ajuste la barra de arrastre a la profundidad deseada.

Nota: Ajuste la barra de arrastre 1 orificio a la vez y compruebe la operación de la motozadora después de cada ajuste. Si se eleva demasiado la barra de arrastre, puede perder el control de la motozadora.

4. Sujete la barra de arrastre con el pasador de bloqueo.

Laboreo

1. Ajuste la barra de arrastre a la profundidad deseada; consulte Ajuste de la barra de arrastre (página 14).
2. Apriete la palanca de control de tracción para engranar las fresas.
3. Realice el laboreo deseado.
4. Suelte la palanca de control de tracción para desengranar las fresas.

Después del funcionamiento

Seguridad tras el uso

Seguridad en general

- Apague la máquina y espere a que se detengan todas las piezas en movimiento antes de abandonar el puesto del operador. Desconecte el cable de la bujía, manténgalo alejado de la bujía para evitar un arranque accidental, y deje que la máquina se enfríe antes de ajustar, repostar, desatasca, revisar, limpiar o almacenar la máquina.
- Limpie cualquier residuo de la máquina para ayudar a prevenir incendios. Limpie cualquier aceite o combustible derramado.

Seguridad durante el transporte

- Desconecte el cable de la bujía antes de cargar la máquina para el transporte.
- Tenga cuidado al cargar o descargar la máquina.

Mantenimiento

Seguridad durante el mantenimiento

- Inspeccione la máquina frecuentemente para asegurarse de que está en condiciones seguras de funcionamiento, y que los pernos de seguridad, los pernos de montaje del motor y otras fijaciones están correctamente apretadas.
- Apague la máquina y espere a que se detengan todas las piezas en movimiento antes de abandonar el puesto del operador. Desconecte el cable de la bujía, manténgalo alejado de la bujía para evitar un arranque accidental, y deje que la máquina se enfríe antes de ajustar, repostar, desatasca, revisar, limpiar o almacenar la máquina.
- Lleve guantes y protección ocular al realizar el mantenimiento de la máquina.
- No manipule nunca los dispositivos de seguridad. Compruebe regularmente que funcionan correctamente.
- Para asegurar el rendimiento óptimo de la máquina, utilice solamente piezas de recambio y accesorios genuinos de Toro. Las piezas de recambio y accesorios de otros fabricantes podrían ser peligrosos, y su uso podría invalidar la garantía del producto.
- Cambie cualquier fresa que esté doblada, dañada o suelta; no repare ni modifique las fresas.
- Mantenga la máquina, los aperos y los accesorios en condiciones seguras de funcionamiento.
- No intente reparar la máquina a menos que tenga las herramientas necesarias y las instrucciones correctas para desmontar, montar y reparar la máquina.

Calendario recomendado de mantenimiento

Intervalo de mantenimiento y servicio	Procedimiento de mantenimiento
Cada vez que se utilice o diariamente	<ul style="list-style-type: none">• Compruebe el nivel de aceite del motor y añada más aceite si es necesario.• Comprobar la tensión de la correa.• Limpie cualquier residuo de las aletas de refrigeración, las entradas de aire y los acoplamientos.
Cada 2 horas	<ul style="list-style-type: none">• Comprobar la tensión de la correa.
Cada 10 horas	<ul style="list-style-type: none">• Limpiar el eje de las fresas.
Cada 25 horas	<ul style="list-style-type: none">• Revise el filtro de aire; revíselo con más frecuencia en condiciones de mucho polvo.
Cada 50 horas	<ul style="list-style-type: none">• Sustituya la correa de transmisión.• Lubrique las piezas en movimiento usando aceite 30W.
Cada 100 horas o cada año, lo que ocurra primero	<ul style="list-style-type: none">• Compruebe la bujía.
Cada año	<ul style="list-style-type: none">• Cambie el filtro de aire; cámbielo con más frecuencia en condiciones de mucho polvo.

Importante: Consulte los procedimientos adicionales de mantenimiento en el manual del motor.

Procedimientos previos al mantenimiento

Preparación para el mantenimiento

1. Mueva la máquina a una superficie nivelada, apague el motor, y espere a que se detengan todas las piezas en movimiento.
2. Desconecte el cable de la bujía.

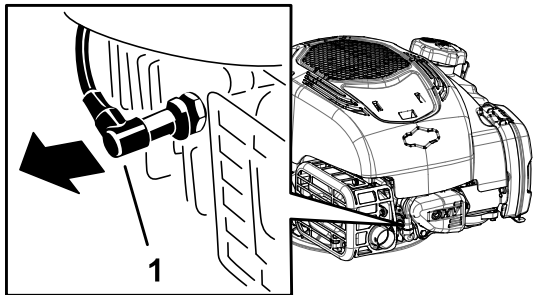


Figura 16

g339525

1. Cable de la bujía

3. Después de realizar el/los procedimiento(s) de mantenimiento, conecte el cable de la bujía a la bujía.

Importante: Antes de inclinar la máquina, deje que se vacíe el depósito de combustible con el uso normal. Si es imprescindible inclinar la máquina antes de que se acabe el combustible, utilice una bomba manual para extraer el combustible.

Mantenimiento del motor

Mantenimiento del filtro de aire

Intervalo de mantenimiento: Cada 25 horas

Cada año

1. Abra los cierres de la parte superior de la tapa del filtro de aire.

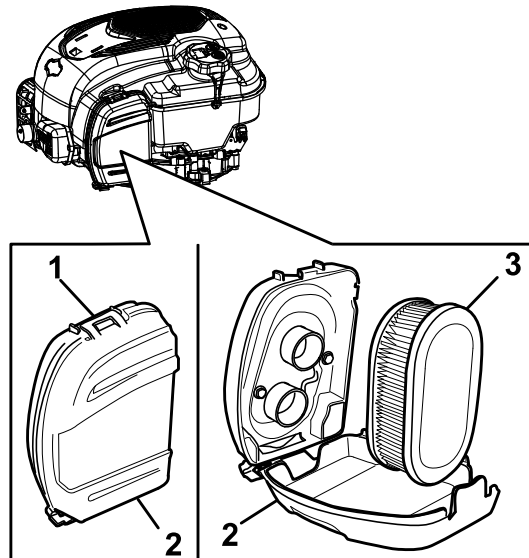


Figura 17

g334791

1. Clip
2. Tapa del filtro de aire
3. Filtro de aire

2. Retire el filtro de aire.
3. Inspeccione el filtro de aire.

Nota: Si el filtro está excesivamente sucio, cámbielo por un filtro nuevo. En caso contrario, golpee el filtro de aire suavemente sobre una superficie dura para desprender los residuos.

4. Instale el filtro de aire.
5. Utilice el clip para instalar la tapa del filtro de aire.

Cómo cambiar el aceite del motor

No es necesario cambiar el aceite del motor, pero si desea cambiarlo, siga este procedimiento.

Nota: Haga funcionar el motor durante unos minutos antes de cambiar el aceite para calentar el aceite. El aceite templado fluye mejor y se lleva más contaminantes.

Especificaciones del aceite del motor

Capacidad de aceite del motor	0.44 L (15 onzas fluidas)*
Viscosidad del aceite	Aceite detergente SAE 30 o SAE 10W-30
Clasificación API	SJ o superior

*Quedan restos de aceite en el cárter después de drenar el aceite. No vierta la capacidad total de aceite en el cárter. Llene el cárter de aceite según se indica en los pasos siguientes.

1. Traslade la máquina a una superficie nivelada.
2. Consulte Preparación para el mantenimiento (página 17).
3. Retire la varilla girando el tapón en sentido antihorario y tirándolo hacia afuera.

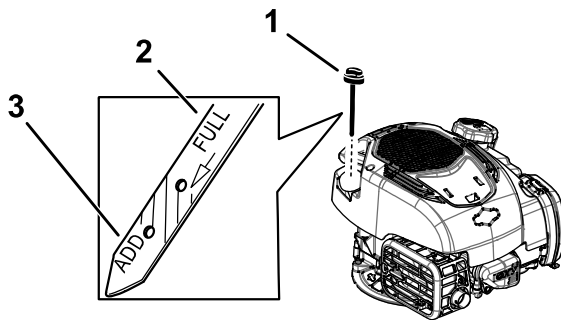


Figura 18

g334792

1. Varilla
2. Lleno
3. Añadir

4. Ponga la máquina de lado (con el filtro de aire hacia arriba) para drenar el aceite usado del tubo de llenado de aceite.

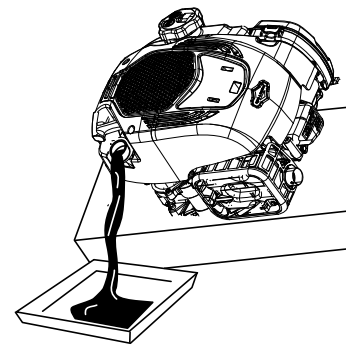


Figura 19

g356437

5. Después de drenar el aceite usado, ponga la máquina en la posición de trabajo.
6. Con cuidado, vierta tres cuartas partes aproximadamente de la capacidad total de aceite del motor en el tubo de llenado.
7. Espere 3 minutos para que el aceite se asiente en el motor.
8. Limpie la varilla con un trapo limpio.
9. Introduzca la varilla en el tubo de llenado de aceite, luego retire la varilla.
10. Compruebe el nivel de aceite en la varilla.
 - Si el nivel de aceite de la varilla es demasiado bajo, vierta con cuidado una pequeña cantidad de aceite en el tubo de llenado, espere 3 minutos, y repita los pasos 8 a 10 hasta que el nivel de aceite en la varilla sea correcto.
 - Si el nivel de aceite de la varilla es demasiado alto, drene el exceso de aceite hasta que el nivel de aceite en la varilla sea correcto.
11. Instale la varilla firmemente en el tubo de llenado de aceite.
12. Recicle correctamente el aceite usado.

Importante: Si el nivel de aceite del motor es demasiado bajo o demasiado alto y usted arranca el motor, puede dañar el motor.

Mantenimiento de la bujía

Intervalo de mantenimiento: Cada 100 horas o cada año, lo que ocurra primero

Asegúrese de que la distancia entre los electrodos central y lateral es correcta antes de instalar la bujía.

Utilice una llave de bujías para desmontar e instalar la(s) bujía(s) y una galga de espesores/herramienta para electrodos para comprobar y ajustar el espacio entre los mismos. Instale una bujía nueva si es necesario.

Tipo: Champion RN9YC o equivalente

Distancia entre electrodos: 0.75 mm (0.03")

Retirada de la bujía

1. Desconecte el cable de la bujía.

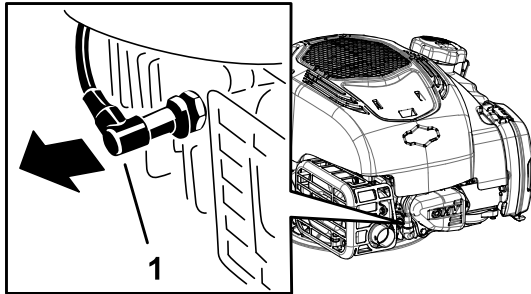


Figura 20

g339525

1. Cable de la bujía
-
2. Limpie alrededor de las bujías para evitar que entre suciedad en el motor, lo que podría dañarlo.
 3. Retire la bujía.

Inspección de la bujía

Importante: No limpie las bujías. Cambie siempre la(s) bujía(s) si tiene(n) un revestimiento negro, los electrodos desgastados, una película aceitosa o grietas.

Si se observa un color gris o marrón claro en el aislante, el motor está funcionando correctamente. Si el aislante aparece de color negro, significa que el limpiador de aire está sucio.

Ajuste la distancia a 0.75 mm (0.03").

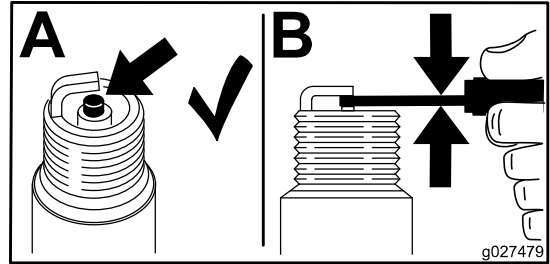


Figura 21

g027479

Instalación de la bujía

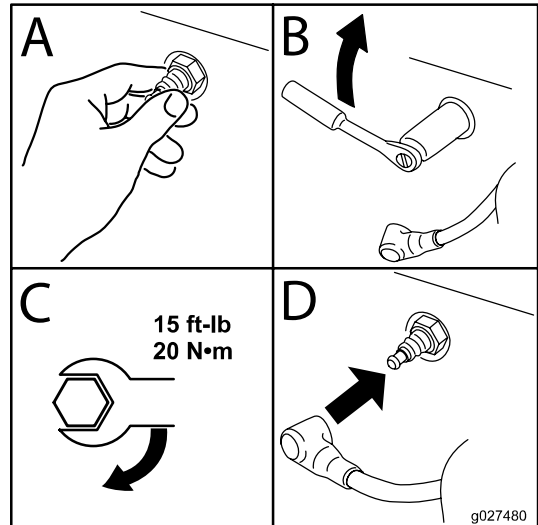


Figura 22

g027480

Mantenimiento de las correas

Comprobación y ajuste de la tensión de la correa

Intervalo de mantenimiento: Cada vez que se utilice o diariamente

Cada 2 horas

La tensión de la correa puede disminuir con el tiempo. Puede ser necesario ajustar la correa en la primera media hora de trabajo.

Importante: Compruebe regularmente la tensión de la correa. Una tensión de correa incorrecta puede causar un desgaste prematuro de la correa.

Puede ser necesario ajustar la correa si hay un zumbido constante con las fresas engranadas, o si hay un chirrido cuando las fresas están engranadas y bajo carga.

Nota: Puede oír un breve zumbido después de soltar la palanca de control de tracción mientras utiliza la máquina. Esto es normal, y ocurre cuando los dientes de la correa dentada se ponen en contacto con la guía de alambre de la correa para detener la rotación. No es necesario ajustar la tensión de la correa si esto ocurre.

1. Retire el deflector de tierra.

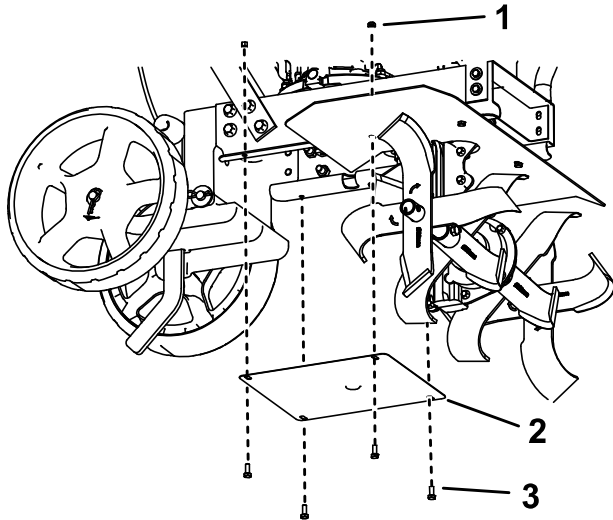


Figura 23

g356418

1. Tuerca (4)
2. Deflector de tierra
3. Perno (4)

2. Con la palanca de control de tracción en la posición de punto muerto, mida la longitud del muelle del cable en reposo.

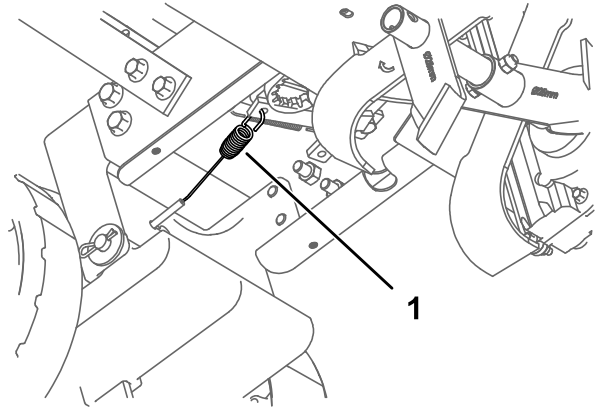


Figura 24

g356417

1. Muelle del cable

3. Tire hacia abajo de la palanca de control de tracción y mida la longitud del muelle del cable extendido. La diferencia debe ser de 0.6 cm (1/4").
4. Si es necesario ajustar la correa, sujete la contratuerca inferior del cable ajustable en su sitio y ajuste la contratuerca superior en incrementos de 0.32 cm (1/8"). Compruebe la tensión de nuevo y repita según sea necesario.

Nota: Si la tensión es incorrecta y no puede ajustar más las contratuercas, mueva el extremo en forma de Z del cable al orificio siguiente de la palanca de control de tracción, como se muestra en la Figura 26. Si la tensión sigue siendo incorrecta, cambie la correa.

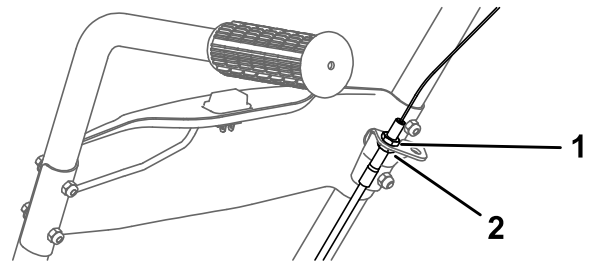


Figura 25

g356421

1. Contratuerca superior
2. Contratuerca inferior

Sustitución de la correa de transmisión

Intervalo de mantenimiento: Cada 50 horas/Cada año (lo que ocurra primero)

Retirada de la correa

1. Retire el deflector de tierra.

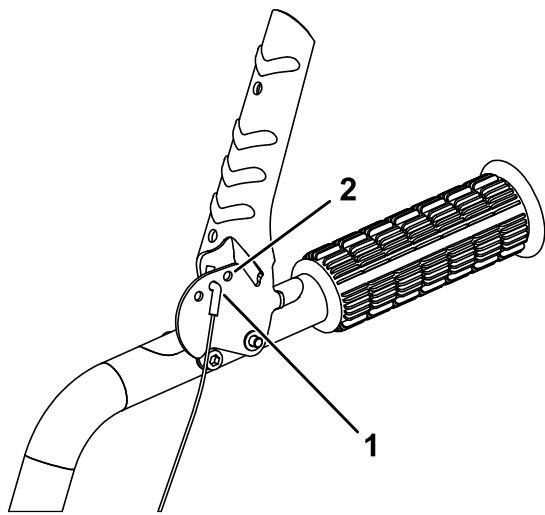


Figura 26

g361541

1. Extremo en Z del cable
2. Mueva el cable a este orificio.

5. Instale el deflector de tierra.

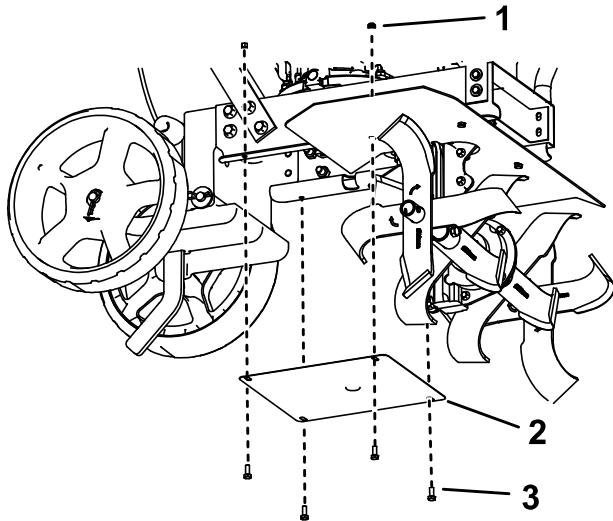


Figura 27

g356418

1. Tuerca (4)
2. Deflector de tierra
3. Perno (4)

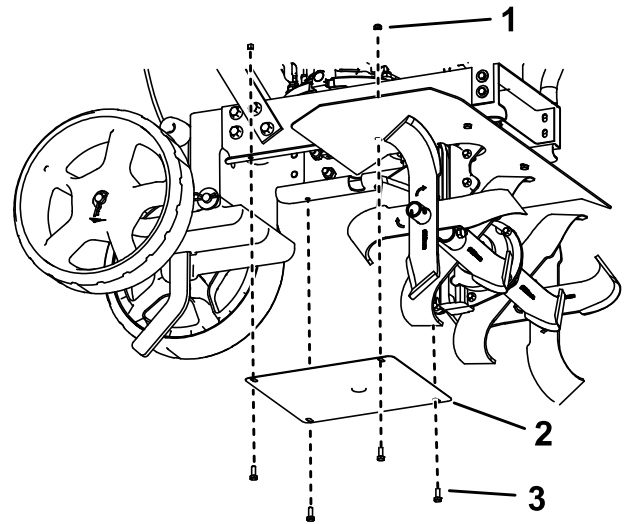


Figura 28

g356418

1. Tuerca (4)
2. Deflector de tierra
3. Perno (4)

2. Retire la cubierta de la correa de transmisión.

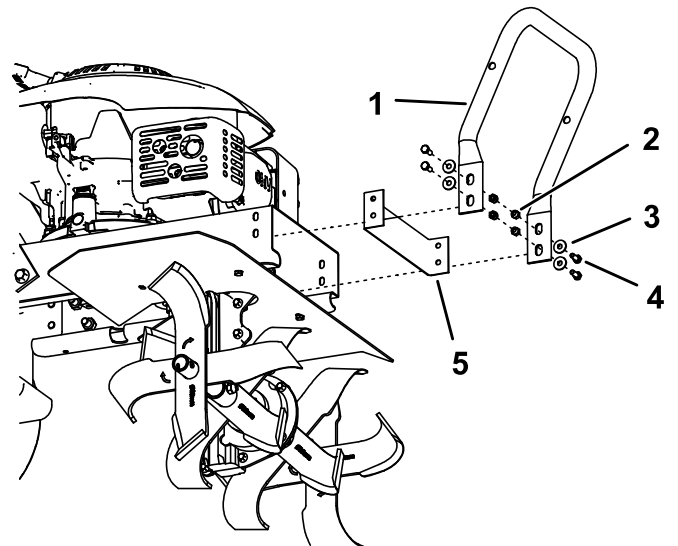


Figura 29

g356422

1. Paragolpes
2. Tuerca (4)
3. Arandela (4)
4. Perno (4)
5. Cubierta de la correa de transmisión

3. Tire suavemente de la cuerda de arranque del motor para hacer girar la polea.
4. Mientras la polea gira, extraiga la correa de la ranura en V.
5. Retire la correa de la polea del motor.
6. Tire de la correa hacia abajo para apartarla.
7. Empuje la correa hacia adelante y retírela por la parte delantera de la máquina.

Instalación de la correa

1. Coloque la correa en la ranura de la polea de la transmisión.
2. Tire suavemente de la cuerda de arranque del motor para hacer girar la polea del motor mientras introduce la correa con fuerza en la ranura en V.
3. Instale la cubierta de la correa.

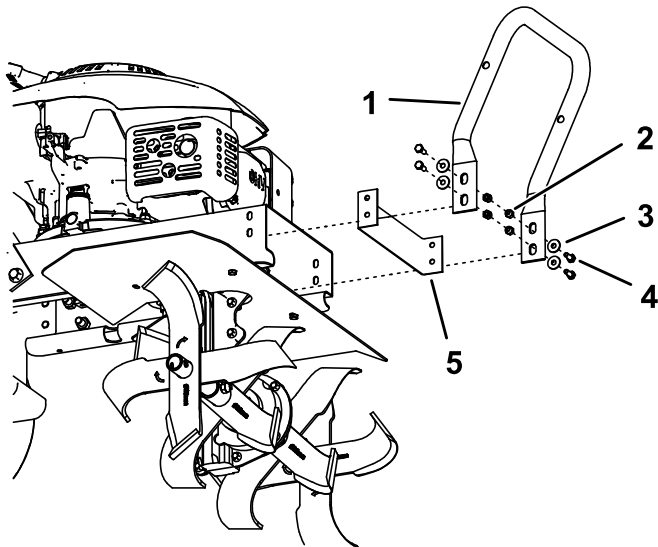


Figura 30

g356422

- | | |
|-----------------|---|
| 1. Paragolpes | 4. Perno (4) |
| 2. Tuerca (4) | 5. Cubierta de la correa de transmisión |
| 3. Arandela (4) | |

4. Instale el deflector de tierra.

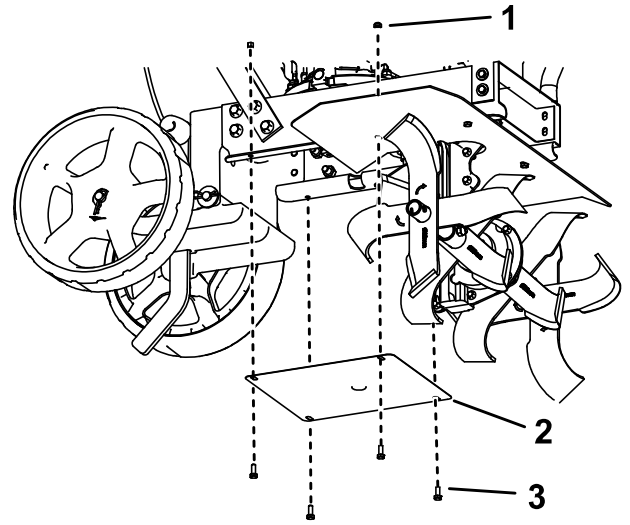


Figura 31

g356418

- | | |
|------------------------|--------------|
| 1. Tuerca (4) | 3. Perno (4) |
| 2. Deflector de tierra | |

5. Compruebe la tensión de la correa; ajústela si es necesario.

Limpieza

Limpieza del eje de las fresas

Intervalo de mantenimiento: Cada 10 horas

Retire cualquier vegetación, hilo, alambre u otro material que pueda haberse acumulado en el eje, entre las fresas interiores y la carcasa de la transmisión.

Almacenamiento

Seguridad durante el almacenamiento

- Apague la máquina y espere a que se detengan todas las piezas en movimiento antes de abandonar el puesto del operador. Desconecte el cable de la bujía, manténgalo alejado de la bujía para evitar un arranque accidental, y deje que la máquina se enfríe antes de ajustar, repostar, desatasca, revisar, limpiar o almacenar la máquina.
- Deje funcionar el motor hasta que no quede combustible, o retire la gasolina con una bomba de mano; nunca utilice un sifón. Si es necesario drenar el depósito, hágalo al aire libre.
- Siga las instrucciones de este *Manual del operador* para descargar, transportar y almacenar la máquina con seguridad.
- No almacene nunca la máquina con combustible en el depósito dentro de un edificio donde haya fuentes de ignición tales como calentadores de agua o calefactores, secadoras de ropa, etc. Espere a que se enfríe el motor antes de guardar la máquina en un recinto cerrado.
- Siempre consulte el *Manual del operador* para obtener información importante antes de almacenar la máquina durante un periodo de tiempo extendido.

Limpieza y almacenamiento de la máquina

1. Aparque la máquina en una superficie nivelada, apague el motor, y espere a que se detengan todas las piezas en movimiento antes de abandonar el puesto del operador.
2. Retire los residuos de las fresas, el eje, la carcasa de la transmisión y el motor.

Importante: La máquina puede lavarse con un detergente suave y agua. No lave la máquina a presión. Evite el uso excesivo de agua, especialmente cerca del motor y la transmisión.

3. Cubra los ejes ligeramente con grasa para ejes.
4. Revise el filtro de aire; consulte Mantenimiento del filtro de aire (página 17).
5. Prepare la máquina para un almacenamiento de más de 30 días como se indica a continuación:
 - A. Agregue un estabilizador/acondicionador a combustible fresco en el depósito. Siga las instrucciones de mezcla del fabricante

del estabilizador de combustible. No use un estabilizador a base de alcohol (etanol o metanol).

- B. Haga funcionar el motor para distribuir el combustible con acondicionador por todo el sistema de combustible durante 5 minutos.
- C. Pare el motor, deje que se enfríe y drene el depósito de combustible.
- D. Arranque el motor y hágalo funcionar hasta que se pare.
- E. Deseche el combustible adecuadamente. Recicle el combustible según la normativa local.

***Importante:* No guarde combustible que contenga estabilizador/acondicionador durante más tiempo que el recomendado por el fabricante del estabilizador de combustible.**

- 6. Retire la bujía y verifique su condición; consulte Inspección de la bujía (página 19). Con la bujía retirada del motor, vierta 15 ml (1 cucharada sopera) de aceite de motor en el orificio de la bujía. Retire la bujía y tire del arrancador 3 veces para cubrir el cilindro de aceite. No instale el cable en la bujía.
- 7. Compruebe y apriete todas las fijaciones. Repare o sustituya cualquier pieza dañada.
- 8. Pinte las superficies que estén arañadas o donde esté visible el metal. Puede adquirir la pintura en su Servicio Técnico Autorizado.
- 9. Almacene la máquina en posición vertical en un garaje o almacén seco y limpio. Manténgala fuera del alcance de niños u otros usuarios no autorizados. Cubra la máquina para protegerla y para conservarla limpia.

Solución de problemas

Problema	Posible causa	Acción correctora
El motor no arranca.	<ol style="list-style-type: none"> 1. El depósito de combustible está vacío. 2. El interruptor del motor está en la posición de APAGADO. 3. El cable de la bujía está suelto o desconectado. 	<ol style="list-style-type: none"> 1. Añada combustible. 2. Mueva el interruptor a la posición de ENCENDIDO. 3. Conecte el cable a la bujía.
El motor funciona irregularmente o se ahoga durante el uso.	<ol style="list-style-type: none"> 1. El filtro de aire está sucio. 	<ol style="list-style-type: none"> 1. Limpie o cambie el filtro de aire.
Es difícil arrancar el motor.	<ol style="list-style-type: none"> 1. Hay combustible viejo en el sistema de combustible. 2. El cable de la bujía está suelto o desconectado. 3. La palanca de control de tracción está engranada. 	<ol style="list-style-type: none"> 1. Drene el depósito de combustible y añada combustible nuevo. 2. Conecte el cable a la bujía. 3. Suelte la palanca de control de tracción.
El motor falla o le falta potencia.	<ol style="list-style-type: none"> 1. La profundidad de laboreo es excesiva. 2. El limpiador de aire está sucio o dañado. 3. El carburador está mal ajustado. 4. La bujía está húmeda, picada, sucia o la distancia entre los electrodos es incorrecta. 5. Hay combustible viejo en el sistema de combustible. 	<ol style="list-style-type: none"> 1. Eleve las fresas elevando la barra de arrastre. 2. Limpie o cambie el elemento del limpiador de aire. 3. Póngase en contacto con el Servicio Técnico Autorizado. 4. Instale una bujía nueva, con los electrodos a la distancia correcta. 5. Drene el depósito de combustible y añada combustible nuevo.
La motoazada se desplaza hacia adelante durante el arranque.	<ol style="list-style-type: none"> 1. La palanca de control de tracción está comprimida. 2. La tensión de la cinta es incorrecta. 	<ol style="list-style-type: none"> 1. Suelte la palanca de control de tracción. 2. Compruebe la tensión de la correa y ajústela si es necesario.
La motoazada es difícil de controlar durante el laboreo; la máquina salta o brinca hacia adelante.	<ol style="list-style-type: none"> 1. La barra de arrastre está demasiado alta. 	<ol style="list-style-type: none"> 1. Baje la barra de arrastre para aumentar la resistencia y el control de la máquina.
Las correas chirrían durante el trabajo en sentido hacia adelante.	<ol style="list-style-type: none"> 1. La tensión de la correa es incorrecta. 	<ol style="list-style-type: none"> 1. Compruebe la tensión de la correa y ajústela si es necesario.
Hay un zumbido constante mientras la palanca de control de tracción está comprimida.	<ol style="list-style-type: none"> 1. La palanca de control de tracción no está totalmente comprimida. 2. La guía de alambre de la correa está demasiado cerca de la polea tensora. 3. La tensión de la correa es incorrecta. 4. La correa está estirada. 	<ol style="list-style-type: none"> 1. Comprima totalmente la palanca de control de tracción. 2. Aleje correctamente la guía de alambre de la correa de la polea tensora para liberar la correa. 3. Compruebe la tensión de la correa y ajústela si es necesario. 4. Sustituya la correa.
Se acumula un exceso de calor en la zona de la transmisión/fresa durante el laboreo.	<ol style="list-style-type: none"> 1. Hay vegetación o residuos atrapados en las fresas. 2. El nivel del fluido de la transmisión es bajo. 	<ol style="list-style-type: none"> 1. Elimine la vegetación o los residuos. 2. Compruebe el fluido de la transmisión y añada más fluido si es necesario.

Notas:

Información sobre las Advertencias de la Proposición 65 de California

¿Qué significa esta advertencia?

Puede ver un producto a la venta que lleva una etiqueta de advertencia como la siguiente:



ADVERTENCIA: Cáncer y daños reproductivos – www.p65Warnings.ca.gov.

¿Qué es la Proposición 65?

La Proposición 65 afecta a cualquier empresa que tenga presencia en California, que venda productos en California, o que fabrique productos que podrían ser introducidos o vendidos en California. Esta ley exige que el Gobernador de California mantenga y publique una lista de sustancias químicas identificadas como causantes de cáncer, defectos de nacimiento y/u otros daños reproductivos. La lista, que se actualiza anualmente, incluye cientos de productos químicos que se encuentran en muchos artículos de uso diario. El propósito de la Proposición 65 es informar al público sobre la exposición a estos productos químicos.

La Proposición 65 no prohíbe la venta de productos que contengan estos productos químicos, sino que requiere la presencia de advertencias en el producto, el envase y la documentación suministrada con el producto. Además, una advertencia de la Proposición 65 no significa que el producto contravenga ninguna norma o requisito de seguridad. De hecho, el gobierno de California ha aclarado que una advertencia bajo la Proposición 65 “no es lo mismo que una decisión legal sobre la “seguridad” o la “inseguridad” de un producto”. Muchos de estos productos químicos han sido utilizados durante años en productos de uso diario sin que se hayan producido daños documentados. Para obtener más información, visite <https://oag.ca.gov/prop65/faqs-view-all>.

Una advertencia de la Proposición 65 significa que una empresa (1) ha evaluado la exposición y ha concluido que supera el nivel de “sin riesgo significativo”; o (2) ha optado por proporcionar una advertencia basándose en sus conocimientos respecto a la presencia de un producto químico de los incluidos en la lista, sin intentar evaluar la exposición.

¿Esta ley es aplicable en todas partes?

Las advertencias de la Proposición 65 sólo son obligatorias bajo la legislación de California. Estas advertencias se ven por toda California en una gran variedad de entornos, incluyendo entre otros restaurantes, tiendas de alimentación, hoteles, escuelas y hospitales, y en una amplia variedad de productos. Además, algunos minoristas de Internet y de la venta por correo incluyen advertencias de la Proposición 65 en sus sitios web o en sus catálogos.

¿Qué diferencia hay entre las advertencias de California y los límites federales?

Las normas de la Proposición 65 son a menudo más exigentes que las normas federales o internacionales. Varias sustancias requieren una advertencia bajo la Proposición 65 a niveles muy inferiores a los límites federales. Por ejemplo, el nivel exigido por la Proposición 65 para las advertencias sobre el plomo es de 0.5 µg/día, que es muy inferior a lo que exigen las normas federales e internacionales.

¿Por qué no llevan la advertencia todos los productos similares?

- Los productos vendidos en California deben llevar etiquetas bajo la Proposición 65, mientras que otros productos similares que se venden en otros lugares no las necesitan.
- Una empresa puede estar obligada a incluir advertencias de Proposición 65 en sus productos como condición de un acuerdo tras un procedimiento legal relacionado con la Proposición 65, pero otras empresas que fabrican productos similares no tienen necesariamente la misma obligación.
- La aplicación de la Proposición 65 no es uniforme.
- Algunas empresas pueden optar por no proporcionar advertencias porque concluyen que no están obligadas a hacerlo bajo la Proposición 65; la falta de advertencias en un producto no significa que el producto esté libre de los productos químicos incluidos en la lista a niveles similares.

¿Por qué incluye Toro esta advertencia?

Toro ha optado por proporcionar a los consumidores la mayor cantidad posible de información para que pueda tomar decisiones informadas sobre los productos que compra y utiliza. Toro proporciona advertencias en ciertos casos basándose en sus conocimientos sobre la presencia de uno o más productos químicos de la lista, sin evaluar el nivel de exposición, puesto que la lista no incluye límites de exposición para todos los productos químicos que contiene. Aunque la exposición que provocan los productos Toro puede ser insignificante, o estar dentro de los límites de la categoría “sin riesgo significativo”, Toro ha optado por proporcionar las advertencias de la Proposición 65 por simple precaución. Además, si Toro no proporcionara estas advertencias, podría ser demandada por el Estado de California o por particulares bajo la Proposición 65, y estar sujeta a importantes sanciones.



Count on it.



Count on it.

Form No. 3443-830 Rev A

Manuel de l'utilisateur

Motoculteur à dents avant

N° de modèle 58602—N° de série 321000001 et suivants



Vous commettez une infraction à la section 4442 ou 4443 du Code des ressources publiques de Californie si vous utilisez cette machine dans une zone boisée, broussailleuse ou recouverte d'herbe, à moins d'équiper le moteur d'un pare-étincelles en bon état, tel que défini dans la section 4442, ou à moins que le moteur soit construit, équipé et entretenu correctement pour prévenir les incendies.

⚠ ATTENTION

CALIFORNIE

Proposition 65 - Avertissement

Les gaz d'échappement de ce produit contiennent des substances chimiques considérées par l'état de Californie comme susceptibles de provoquer des cancers, des malformations congénitales et autres troubles de la reproduction.

L'utilisation de ce produit peut entraîner une exposition à des substances chimiques considérées par l'état de Californie comme capables de provoquer des cancers, des anomalies congénitales ou d'autres troubles de la reproduction.

Introduction

Ce motoculteur est destiné au grand public, ou à des utilisateurs professionnels temporaires pour travailler les sols durs en vue de planter et cultiver des jardins. L'utilisation de ce produit à d'autres fins que celle prévue peut être dangereuse pour vous-même et toute personne à proximité.

Lisez attentivement cette notice pour apprendre comment utiliser et entretenir correctement votre produit, et éviter ainsi de l'endommager ou de vous blesser. Vous êtes responsable de l'utilisation sûre et correcte du produit.

Pour plus d'information, y compris des conseils de sécurité, des documents de formation, des renseignements concernant un accessoire, pour obtenir l'adresse d'un dépositaire ou pour enregistrer votre produit, rendez-vous sur le site www.Toro.com.

Pour obtenir des prestations de service, des pièces Toro d'origine ou des renseignements complémentaires, munissez-vous des numéros de modèle et de série du produit et contactez un dépositaire-réparateur ou le service client Toro agréé. La Figure 1 indique l'emplacement des numéros de

modèle et de série du produit. Inscrivez les numéros dans l'espace réservé à cet effet.

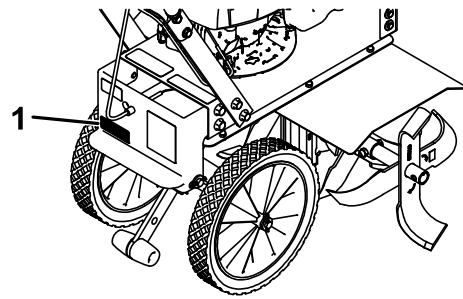


Figure 1

g355851

1. Emplacement des numéros de modèle et de série

N° de modèle _____

N° de série _____

Les mises en garde de ce manuel soulignent des dangers potentiels et sont signalées par le symbole de sécurité (Figure 2), qui indique un danger pouvant entraîner des blessures graves ou mortelles si les précautions recommandées ne sont pas respectées.



Figure 2

Symbole de sécurité

g000502

Ce manuel utilise deux termes pour faire passer des renseignements essentiels. **Important**, pour attirer l'attention sur une information d'ordre mécanique spécifique, et **Remarque**, pour souligner une information d'ordre général méritant une attention particulière.

Table des matières

Sécurité	3
Consignes de sécurité générales.....	3
Autocollants de sécurité et d'instruction	4
Mise en service	6
1 Assemblage du motoculteur	6
2 Ajout d'huile dans le moteur	8
Vue d'ensemble du produit	10
Commandes	10
Caractéristiques techniques	10
Avant l'utilisation	11
Consignes de sécurité avant l'utilisation.....	11
Procédures d'entretien quotidien	12
Changer la largeur de travail.....	12
Pendant l'utilisation	12
Consignes de sécurité pendant l'utilisation	12
Démarrage du moteur.....	13
Arrêt du moteur.....	13
Réglage de la position du support arrière	13
Réglage de la barre de traînée.....	14
Travailler le sol.....	15
Après l'utilisation	15
Consignes de sécurité après l'utilisation.....	15
Entretien	16
Consignes de sécurité pendant l'entretien	16
Programme d'entretien recommandé	16
Procédures avant l'entretien	17
Préparation à l'entretien.....	17
Entretien du moteur	17
Entretien du filtre à air	17
Vidange de l'huile moteur.....	18
Entretien de la bougie	19
Entretien des courroies	20
Contrôle et réglage de la tension de la courroie.....	20
Remplacement de la courroie d'entraînement.....	21
Nettoyage	23
Nettoyage de l'arbre des dents	23
Remisage	23
Consignes de sécurité pour le remisage.....	23
Nettoyage et remisage de la machine	23
Dépistage des défauts	25

Sécurité

Cette machine est conçue en conformité avec la norme ANSI B71.8-2016.

⚠ DANGER

Des conduites peuvent être enfouies dans la zone de travail. Vous pouvez provoquer une explosion ou vous électrocuter si vous les touchez en creusant.

Balisez au préalable l'emplacement des lignes ou des conduites enfouies dans la zone de travail, et ne creusez pas à ces endroits. Contactez le service de signalisation ou la compagnie de services publics pour marquer le terrain correctement (par exemple, aux États-Unis, contactez le service de signalisation national au 811).

Consignes de sécurité générales

Ce produit peut sectionner les mains ou les pieds et projeter des objets. Respectez toujours toutes les consignes de sécurité pour éviter des blessures graves ou mortelles.

- Vous devez lire, comprendre et respecter toutes les instructions et mises en garde données dans ce *Manuel de l'utilisateur*, ainsi que sur la machine et les accessoires, avant de démarrer le moteur.
- Familiarisez-vous avec les commandes et l'utilisation correcte de la machine. Apprenez à arrêter la machine et à débrayer les commandes rapidement.
- Ne placez pas les mains, les pieds et autres parties du corps, ou les vêtements sous ou près des dents en rotation ou des pièces mobiles de la machine.
- N'utilisez pas la machine s'il manque des capots, des déflecteurs ou d'autres dispositifs de protection, ou s'ils sont en mauvais état.
- Tenez tout le monde, en particulier les jeunes enfants, et les animaux, à l'écart de la zone de travail.
- N'autorisez pas les enfants à utiliser la machine. Ne confiez l'utilisation de la machine qu'à des personnes responsables, compétentes, qui ont lu et compris les instructions et sont physiquement aptes.
- Avant de quitter la position d'utilisation, coupez le moteur de la machine et attendez l'arrêt complet de toutes les pièces mobiles. Débranchez le fil de la bougie, écarterez-le de la bougie pour éviter tout

démarrage accidentel et laissez la machine avant de la régler, d'en faire l'entretien, de la nettoyer, de la déboucher, de faire le plein ou de la remiser.

L'usage ou l'entretien incorrect de cette machine peut occasionner des accidents. Pour réduire les risques

d'accidents et de blessures, respectez les consignes de sécurité qui suivent. Tenez toujours compte des mises en garde signalées par le symbole de sécurité (▲) et la mention Prudence, Attention ou Danger. Le non respect de ces instructions peut entraîner des blessures graves voire mortelles.

Autocollants de sécurité et d'instruction

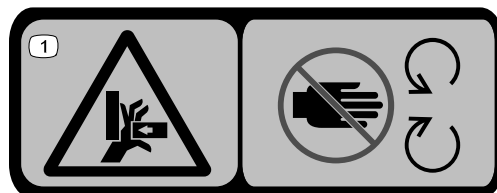


Des autocollants de sécurité et des instructions bien visibles par l'opérateur sont placés près de tous les endroits potentiellement dangereux. Remplacez tout autocollant endommagé ou manquant.



133-8062

decal133-8062



144-4855

decal144-4855

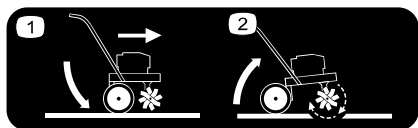
1. Risque d'écrasement des mains – ne vous approchez pas des pièces mobiles.



144-4848

decal144-4848

1. Serrez la commande d'accélérateur pour engager les dents.



144-4849

decal144-4849

1. Position de transport
2. Position d'utilisation



144-4853

decal144-4853

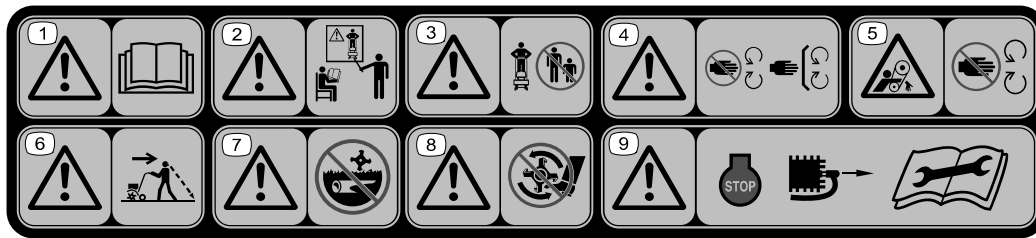
1. Moteur coupé



144-4854

decal144-4854

1. Pour démarrer la machine, placez l'interrupteur en position MARCHE, relâchez le/les poignée(s), placez une main sur la machine et tirez la poignée du lanceur.



decal148-4868

144-4856

1. Attention – lisez le *Manuel de l'utilisateur*.
 2. Attention – tous les utilisateurs doivent être formés avant d'utiliser la machine.
 3. Attention – ne laissez personne s'approcher.
 4. Attention – ne vous approchez pas des pièces mobiles et gardez toutes les protections en place.
 5. Risque de coincement par la courroie – ne vous approchez pas des pièces mobiles.
 6. Attention – regardez derrière vous quand vous utilisez la machine en marche arrière
 7. Attention – n'utilisez pas la machine au-dessus de conduites enfouies.
 8. Attention – n'approchez pas les pieds des pièces mobiles.
 9. Attention – coupez le moteur, débranchez la bougie et lisez le *Manuel de l'utilisateur* avant d'effectuer tout entretien.
-

Mise en service

Pièces détachées

Reportez-vous au tableau ci-dessous pour vérifier si toutes les pièces ont été expédiées.

Procédure	Description	Qté	Utilisation
1	Roue	2	Assemblage du motoculteur.
	Protège-dents	1	
	Boulon (M8 x 20 mm)	4	
	Goupille fendue	2	
	Goupille de verrouillage	1	
	Rondelle (M8)	4	
	Boulon (M8 x 45 mm)	2	
	Contre-écrou (M8)	6	
	Rondelle(12 mm)	2	
	Boulon (M6 x 16 mm)	4	
	Contre-écrou (M6)	4	
	Poignée de barre de traînée	1	
	Essieu	1	
	Dent extérieure gauche	1	
Dent extérieure droite	1		
2	Huile moteur	1	Ajout d'huile dans le moteur.

1

Assemblage du motoculteur

Pièces nécessaires pour cette opération:

2	Roue
1	Protège-dents
4	Boulon (M8 x 20 mm)
2	Goupille fendue
1	Goupille de verrouillage
4	Rondelle (M8)
2	Boulon (M8 x 45 mm)
6	Contre-écrou (M8)
2	Rondelle(12 mm)
4	Boulon (M6 x 16 mm)
4	Contre-écrou (M6)
1	Poignée de barre de traînée
1	Essieu
1	Dent extérieure gauche
1	Dent extérieure droite

Procédure

1. Installez l'essieu et les roues sur le support inférieur arrière.

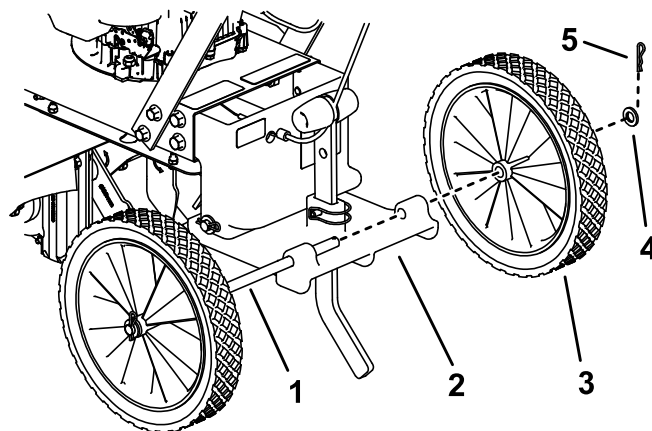


Figure 3

1. Essieu
2. Support inférieur arrière
3. Roue (2)
4. Rondelle (12 mm) (2)
5. Goupille fendue (2)

g356258

2. Posez le protège-dents. Alignez les fentes de chaque côté du protège-dents et insérez les fixations avant de les serrer.

Important: Veillez à insérer le pare-boue entre le plancher de support du moteur et le protège-dents.

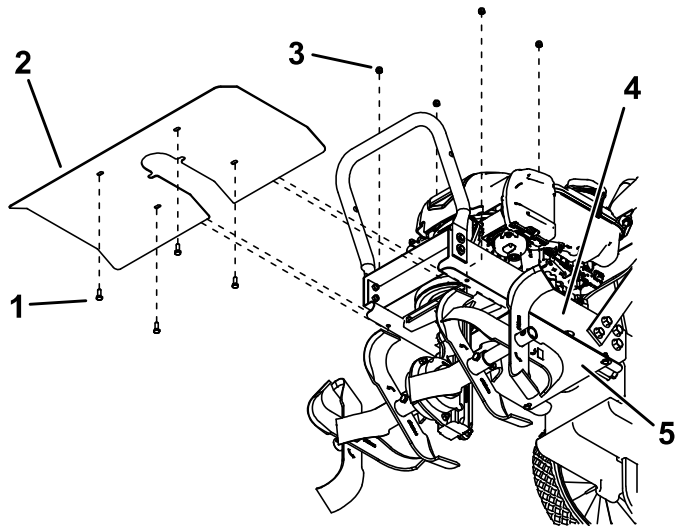


Figure 4

g356256

- | | |
|------------------------|----------------------------------|
| 1. Boulon M6 (4) | 4. Plancher de support du moteur |
| 2. Protège-dents | 5. Pare-boue |
| 3. Contre-écrou M6 (4) | |

3. Installez les dents à la position voulues; voir Changer la largeur de travail (page 12).

4. Installez la poignée supérieure sur l'arceau de montage inférieur.

Remarque: Insérez les boulons en plaçant la tête à l'extérieur.

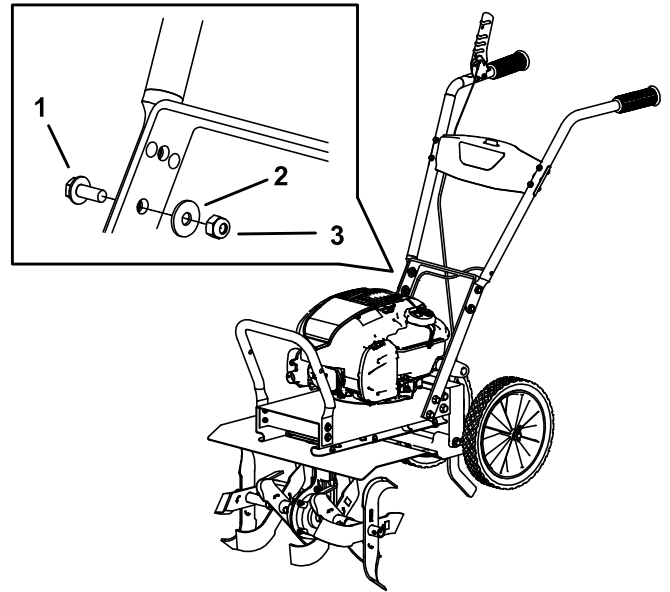


Figure 5

g356424

- | | |
|----------------------------|------------------------|
| 1. Boulon (M8 x 20 mm) (2) | 3. Contre-écrou M8 (2) |
| 2. Rondelle M8 (2) | |

5. Réglez la poignée à la position voulue et installez les fixations supérieures.

Remarque: Utilisez le trou avant pour la position la plus élevée et le trou arrière pour la position la plus basse. Insérez les boulons en plaçant la tête à l'extérieur, comme montré à la Figure 7.

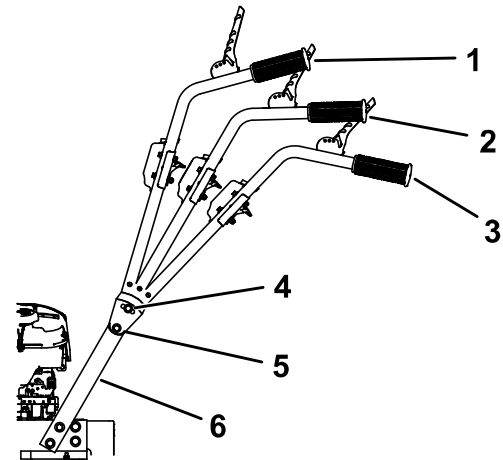


Figure 6

g356255

- | | |
|----------------------|--------------------------------|
| 1. Position haute | 4. Boulon supérieur |
| 2. Position centrale | 5. Boulon inférieur |
| 3. Position basse | 6. Arceau de montage inférieur |

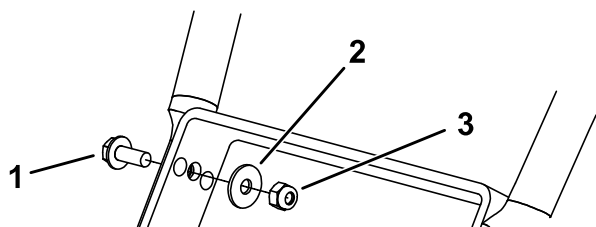


Figure 7

g356257

1. Boulon (M8 x 20 mm) (2)
3. Contre-écrou M8 (2)
2. Rondelle M8 (2)

6. Insérez la barre de traînée dans l'ouverture inférieure du support arrière inférieur et fixez-la en place avec la goupille de blocage.

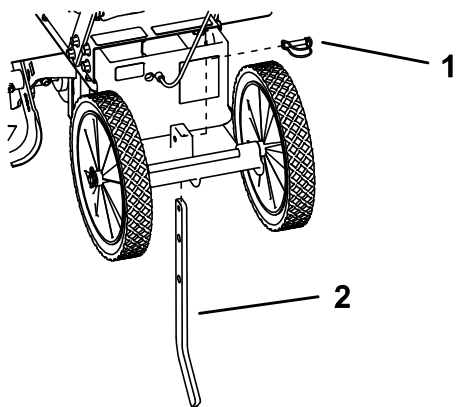


Figure 8

g356254

1. Goupille de blocage
2. Barre de traînée

7. Installez la poignée sur la barre de traînée.

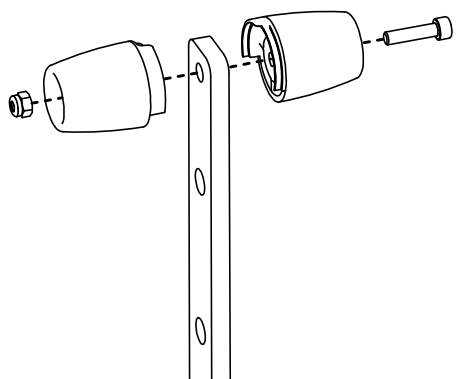


Figure 9

g356436

2

Ajout d'huile dans le moteur

Pièces nécessaires pour cette opération:

1	Huile moteur
---	--------------

Procédure

Important: Vous risquez d'endommager le moteur si vous le faites tourner alors que le niveau d'huile moteur est trop bas ou trop élevé.

1. Amenez la machine sur une surface plane et horizontale.
2. Versez avec précaution 75 % environ de la capacité d'huile moteur dans le tube de remplissage d'huile.
3. Attendez 3 minutes que l'huile se stabilise dans le moteur.
4. Essayez la jauge sur un chiffon propre.

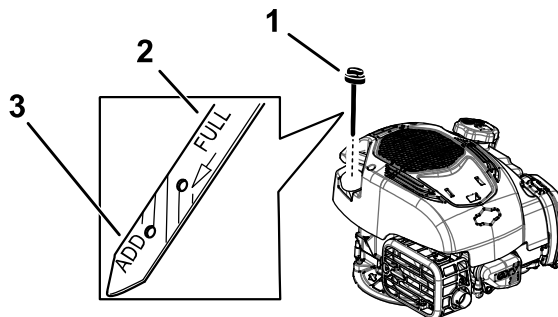


Figure 10

g334792

1. Jauge de niveau
3. Niveau minimum
2. Niveau maximum

5. Insérez la jauge au fond du goulot de remplissage, puis ressortez-la.
6. Vérifiez le niveau d'huile indiqué par la jauge (Figure 10).
 - Si le niveau d'huile indiqué par la jauge est trop bas, versez lentement une petite quantité d'huile dans le tube de remplissage, attendez 3 minutes puis répétez les opérations 4 à 6 jusqu'à ce que le niveau d'huile correct soit indiqué par la jauge.
 - Si le niveau d'huile indiqué par la jauge est trop élevé, vidangez l'excédent d'huile jusqu'à ce que le niveau d'huile correct soit indiqué par la jauge.

Important: Vous risquez d'endommager le moteur si vous le faites tourner alors que le

niveau d'huile moteur est trop bas ou trop élevé.

7. Insérez et vissez solidement la jauge dans le tube de remplissage.
8. Recyclez l'huile usagée conformément à la réglementation.

Vue d'ensemble du produit

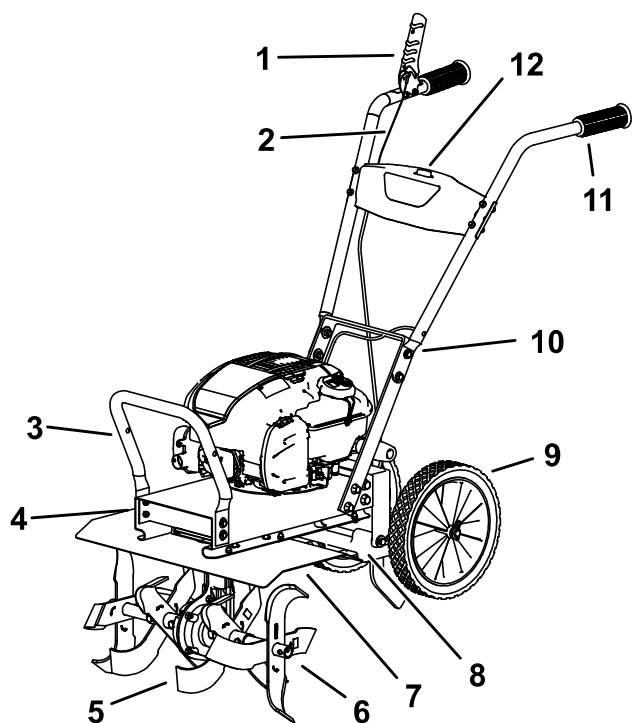


Figure 11

g355853

- | | |
|-------------------------------------|-------------------------------------|
| 1. Levier de commande | 7. Protège-dents |
| 2. Câble réglable | 8. Support arrière articulé |
| 3. Butée | 9. Roue |
| 4. Protège-courroie d'entraînement | 10. Réglage de hauteur du guidon |
| 5. Dents | 11. Poignée |
| 6. Réglage de la largeur de travail | 12. Commande Marche/Arrêt du moteur |

Caractéristiques techniques

Les spécifications et la conception peuvent faire l'objet de modifications sans préavis.

Hauteur	118 cm (46,4 po)
Longueur	122 cm (48,1 po)
Largeur	56 cm (31 po)
Poids	46,7 kg (103 lb)
Largeur de travail	28 à 53 cm (11 à 21 po)
Profondeur de travail	Jusqu'à 28 cm (11 po)

Pour garantir un rendement optimal et conserver la certification de sécurité de la machine, utilisez uniquement des pièces de rechange et accessoires Toro d'origine. Les pièces de rechange et accessoires d'autres constructeurs peuvent être dangereux et leur utilisation risque d'annuler la garantie de la machine.

Commandes

Levier de commande

Serrez le levier de commande contre la poignée pour engager les dents. Relâchez-le pour désengager les dents.

Commande Marche/Arrêt du moteur

Coupez le moteur au moyen de l'interrupteur marche/arrêt. Assurez-vous que l'interrupteur est à la position MARCHE avant de mettre le moteur en marche.

Utilisation

Remarque: Les côtés gauche et droit de la machine sont déterminés d'après la position d'utilisation normale.

Avant l'utilisation

Consignes de sécurité avant l'utilisation

Consignes de sécurité générales

- Ne confiez pas l'utilisation ou l'entretien de la machine à des enfants ou à des adultes non qualifiés. La réglementation locale peut imposer un âge minimum pour les utilisateurs.
- L'utilisation de cette machine est fatigante. Vous devez être en bonne condition physique et mentale. Si vous souffrez d'un problème de santé qui pourrait être aggravé par un travail pénible, consultez votre médecin avant d'utiliser la machine.
- Avant de quitter la position d'utilisation, coupez le moteur de la machine et attendez l'arrêt complet de toutes les pièces mobiles. Débranchez le fil de la bougie, écartez-le de la bougie pour éviter tout démarrage accidentel et laissez la machine avant de la régler, d'en faire l'entretien, de la nettoyer, de la déboucher, de faire le plein ou de la remiser.
- Familiarisez-vous avec le maniement correct du matériel, les commandes et les symboles de sécurité.
- Vérifiez que tous les capots et dispositifs de sécurité, tels que les déflecteurs, sont en place et en bon état. N'utilisez pas la machine en cas de mauvais fonctionnement.
- Apprenez à arrêter le moteur rapidement.
- Tenez tout le monde, en particulier les jeunes enfants, et les animaux, à l'écart de la zone de travail.
- Inspectez soigneusement la zone de travail et débarrassez-la de tout objet pouvant gêner le fonctionnement de la machine ou être projeté pendant son utilisation.

Consignes de sécurité pour le carburant

- Faites preuve de la plus grande prudence quand vous manipulez du carburant, en raison de son extrême inflammabilité et du risque d'explosion des vapeurs qu'il dégage.

- Éteignez cigarettes, cigares, pipes et autres sources d'étincelles.
- Utilisez exclusivement un bidon à carburant homologué.
- N'enlevez pas le bouchon du réservoir de carburant et n'ajoutez pas de carburant quand le moteur tourne ou est encore chaud.
- Laissez refroidir le moteur avant de faire le plein de carburant.
- Ne remplissez pas le réservoir de carburant à l'intérieur.
- Ne remplissez pas excessivement le réservoir de carburant. Remettez le bouchon du réservoir de carburant en place et serrez-le solidement après avoir fait le plein. Nettoyez le carburant éventuellement répandu avant de démarrer le moteur.
- Ne remplissez pas les bidons de carburant à l'intérieur d'un véhicule ou sur le plateau d'une remorque dont le revêtement est en plastique. Posez toujours les bidons sur le sol, à l'écart du véhicule, avant de les remplir.
- Descendez la machine du camion ou de la remorque avant de faire le plein de carburant. Si cela n'est pas possible, remplissez le réservoir à l'aide d'un bidon, et non directement à la pompe.
- Maintenez le pistolet en contact avec le bord du réservoir ou du bidon jusqu'à la fin du remplissage. N'utilisez pas de dispositif de verrouillage du pistolet en position ouverte.
- Si du carburant s'est répandu sur vos vêtements, changez-vous immédiatement.
- Si vous renversez du carburant, n'essayez pas de démarrer le moteur, éloignez la machine du carburant renversé et évitez de créer des sources d'inflammation jusqu'à dissipation complète des vapeurs de carburant.
- Si vous devez vidanger le réservoir de carburant, faites-le à l'extérieur.
- Conservez le carburant dans un bidon spécial et hors de la portée des enfants.
- Ne remisez pas la machine avec du carburant dans le réservoir ou les bidons de carburant à proximité d'une flamme nue, d'une source d'étincelles ou d'une veilleuse, telle celle d'un chauffe-eau ou autre appareil. Laissez refroidir le moteur avant de ranger la machine dans un local fermé.
- Le carburant est toxique, voire mortel en cas d'ingestion. L'exposition prolongée aux vapeurs de carburant peut causer des blessures et des maladies graves.
 - Évitez de respirer les vapeurs de carburant de façon prolongée.

- N'approchez pas les mains et le visage du pistolet ou de l'ouverture du réservoir de carburant.
- Tenez le carburant à l'écart des yeux et de la peau.

Procédures d'entretien quotidien

Avant de démarrer la machine chaque jour, effectuez les procédures décrites à la section Entretien (page 16).

Changer la largeur de travail

1. Amenez la machine sur une surface plane et horizontale, coupez le moteur et attendez l'arrêt complet de toutes les pièces mobiles.
2. Retirez les 2 boulons (M8 x 45 mm) et les 2 contre-écrous (M8) qui fixent les dents extérieures sur la machine.
3. Installez les dents extérieures à la position voulue.

Remarque: La flèche sur les dents doit pointer dans la direction de la rotation avant (sens antihoraire, vu du côté gauche).

- Pour une largeur de travail de 40,6 cm (16 po), installez les dents extérieures en tournant le côté court du tube des dents vers le centre de la machine.

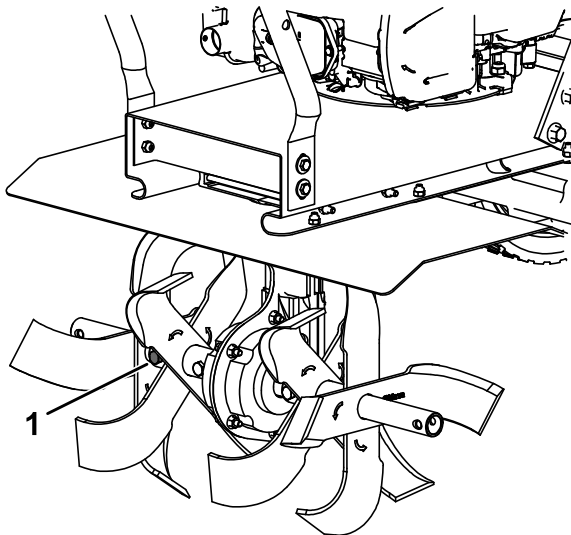


Figure 12

g356250

1. Boulon et contre-écrou (2)

- Pour une largeur de travail de 53,3 cm (21 po), installez les dents extérieures en

tournant le côté court du tube des dents vers l'extérieur de la machine.

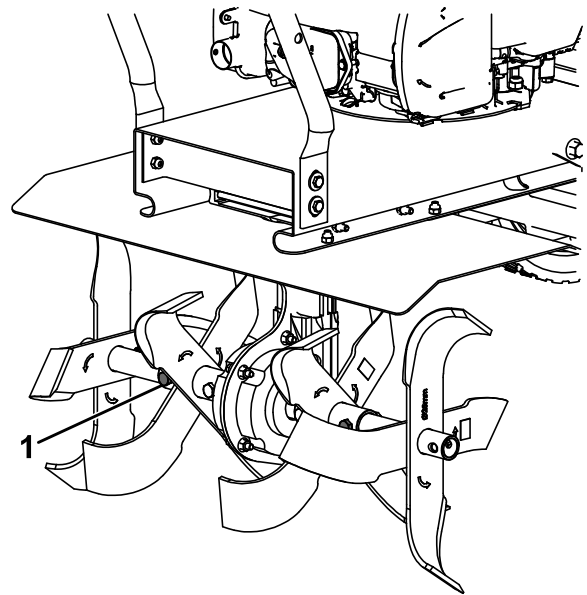


Figure 13

g356253

1. Boulon et contre-écrou (2)

4. Fixez les dents extérieures à l'aide des 2 boulons et 2 contre-écrous.

Pendant l'utilisation

Consignes de sécurité pendant l'utilisation

Consignes de sécurité générales

- Accordez toute votre attention à l'utilisation de la machine. Ne vous livrez à aucune activité risquant de vous distraire, au risque de causer des dommages corporels ou matériels.
- N'utilisez pas la machine si vous êtes fatigué(e), malade ou sous l'emprise de l'alcool, de médicaments ou de drogues.
- Portez des vêtements adaptés, y compris une protection oculaire, un pantalon, des chaussures solides à semelle antidérapante, des protecteurs d'oreilles et des gants. Si vos cheveux sont longs, attachez-les et ne portez pas de vêtements amples ni de bijoux pendants.
- N'approchez pas les mains, les pieds, d'autres parties du corps et les vêtements des dents en rotation et des pièces en mouvement de la machine. Les dents commencent à tourner lorsque vous démarrez le moteur et peuvent continuer de tourner momentanément après la coupure du moteur.

- Démarrez prudemment le moteur en suivant les instructions dans ce *Manuel de l'utilisateur* et en gardant les pieds à bonne distance des dents.
- Redoublez de prudence lorsque vous reculez ou que vous tirez la machine vers vous. Pour éviter de se faire coincer contre une structure, prévoyez une distance suffisante pour inverser le sens de déplacement près d'un mur ou d'une clôture.
- N'admettez personne dans le périmètre de travail. Veillez à ce que les jeunes enfants restent hors de la zone de travail, sous la surveillance d'un adulte responsable autre que l'utilisateur. Arrêtez la machine si quelqu'un entre dans la zone de travail.
- Avant de démarrer le moteur, assurez-vous que tous les embrayages sont au point mort, et que vous êtes à la position d'utilisation.
- N'utilisez la machine que si la visibilité est suffisante et dans de bonnes conditions météorologiques. N'utilisez pas la machine si la foudre menace.
- N'essayez pas de régler la machine lorsque le moteur tourne.
- Si la machine heurte un obstacle ou se met à vibrer, coupez immédiatement le moteur, attendez l'arrêt complet de toutes les pièces mobiles et débranchez le fil de la bougie avant de vérifier si la machine est endommagée. Les vibrations indiquent souvent la présence d'un problème. Effectuez toutes les réparations nécessaires avant de réutiliser la machine.
- N'utilisez jamais la machine à grande vitesse sur des surfaces dures ou glissantes.
- Regardez derrière la machine et vers le bas, et faites marche arrière avec prudence.
- Ne surchargez pas la machine en essayant de travailler le sol trop vite.
- Ne soulevez pas ou ne transportez pas la machine pendant que le moteur tourne.
- Faites preuve de prudence et veillez à ne pas perdre l'équilibre, surtout lorsque vous reculez, pour éviter de glisser ou de tomber.
- Conduisez la machine avec prudence sur les sols durs. Les dents peuvent rester accrochées dans le sol et propulser la machine en avant. Si cela se produit, lâchez la machine; n'essayez pas de la retenir.
- Faites preuve d'une extrême prudence lorsque vous traversez du gravier. Faites attention aux dangers cachés et à la circulation.
- Ne laissez pas la machine en marche sans surveillance.
- Avant de quitter la position d'utilisation, coupez le moteur de la machine et attendez l'arrêt complet de toutes les pièces mobiles. Débranchez le fil de la bougie, écartez-le de la bougie pour éviter tout

démarrage accidentel et laissez la machine avant de la régler, d'en faire l'entretien, de la nettoyer, de la déboucher, de faire le plein ou de la remiser.

- Ne faites tourner le moteur que dans des lieux bien aérés. Les gaz d'échappement contiennent du monoxyde de carbone, un gaz inodore mortel.
- Utilisez uniquement des accessoires et outils agréés par The Toro® Company.
- Ne modifiez pas le réglage du régulateur et ne faites pas tourner le moteur à un régime excessif.
- Veillez à ne pas perdre l'équilibre; tenez fermement le guidon et avancez à une allure normale, ne courez jamais.
- Laissez refroidir le silencieux et le moteur avant de les toucher.
- Les dents ne doivent pas tourner quand le moteur fonctionne au ralenti; si elles tournent, contactez votre dépositaire-réparateur agréé.
- Si un objet reste coincé dans les dents, coupez le moteur, débranchez le fil de la bougie et laissez refroidir le moteur avant d'enlever l'objet.
- Conduisez avec prudence, surtout sur les pentes raides. Pour éviter que la machine se retourne, utilisez dans le sens de la pente.

Démarrage du moteur

1. Réglez la commande Marche/Arrêt du moteur en position MARCHE.
2. Tirer la poignée du lanceur.

Remarque: Tirez légèrement la poignée du lanceur jusqu'à ce que vous sentiez une résistance, puis tirez vigoureusement. Laissez le lanceur se rétracter lentement jusqu'à la poignée.

Remarque: Si le moteur ne démarre pas après plusieurs tentatives, contactez un dépositaire-réparateur agréé.

Arrêt du moteur

1. Relâchez le levier de commande.
2. Tournez la commande Marche/Arrêt du moteur en position ARRÊT.
3. Attendez l'arrêt complet de toutes les pièces mobiles avant de quitter la position d'utilisation.

Réglage de la position du support arrière

Utilisez la poignée de la barre de traînée pour faire pivoter le support arrière articulé à la position de transport ou d'utilisation.

▲ PRUDENCE

La rotation du support arrière articulé peut créer un risque de pincement entre les parties supérieure et inférieure du support.

Restez à l'écart des points de pivotement quand vous réglez la position du support arrière.

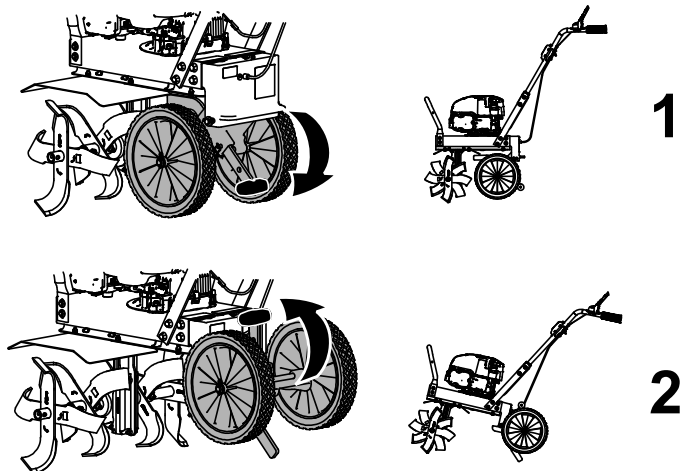


Figure 14

1. Position de transport – faites pivoter le support arrière articulé vers le bas
2. Position d'utilisation – faites pivoter le support arrière articulé vers le haut

Réglage de la barre de traînée

La barre de traînée permet de régler la profondeur de travail et empêche le motoculteur avance par saccades pendant l'utilisation. Réglez la barre de traînée à la position la plus basse pour augmenter la résistance en marche avant et pour augmenter la profondeur de travail; levez la barre de traînée pour le transport.

1. Amenez la machine sur une surface plane et horizontale, coupez le moteur et attendez l'arrêt complet de toutes les pièces mobiles.
2. Retirez la goupille de verrouillage.

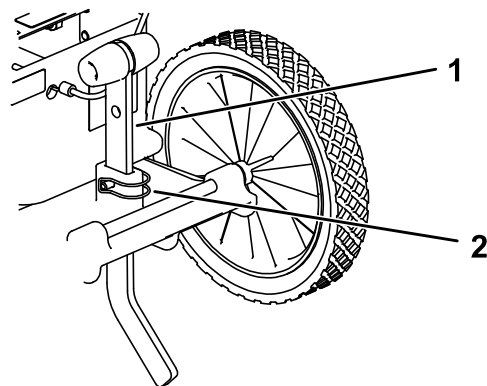


Figure 15

1. Barre de traînée
2. Goupille de verrouillage

3. Positionnez la barre de traînée à la profondeur voulue.

Remarque: Réglez la position de la barre de traînée 1 trou à la fois et essayez le motoculteur après chaque réglage. Ne levez pas la barre de traînée trop haut car vous pourriez perdre le contrôle du motoculteur.

4. Fixez la barre de traînée avec la goupille de blocage.

Travailler le sol

1. Réglez la barre de traînée à la profondeur voulue; voir Réglage de la barre de traînée (page 14).
2. Serrez le levier de commande pour engager les dents.
3. Travaillez le sol selon les besoins.
4. Relâchez le levier de commande pour désengager les dents.

Après l'utilisation

Consignes de sécurité après l'utilisation

Consignes de sécurité générales

- Avant de quitter la position d'utilisation, coupez le moteur de la machine et attendez l'arrêt complet de toutes les pièces mobiles. Débranchez le fil de la bougie, écartez-le de la bougie pour éviter tout démarrage accidentel et laissez la machine avant de la régler, d'en faire l'entretien, de la nettoyer, de la déboucher, de faire le plein ou de la remiser.
- Pour éviter les risques d'incendie, enlevez les débris déposés sur la machine. Nettoyez les coulées éventuelles d'huile ou de carburant.

Consignes de sécurité pour le transport

- Débranchez le fil de la bougie avant de charger la machine pour la transporter.
- Chargez ou déchargez la machine avec précaution.

Entretien

Consignes de sécurité pendant l'entretien

- Examinez la machine fréquemment pour vérifier qu'elle est en bon état de marche et que les boulons de cisaillement, les boulons de fixation du moteur et autres fixations sont correctement serrés.
- Avant de quitter la position d'utilisation, coupez le moteur de la machine et attendez l'arrêt complet de toutes les pièces mobiles. Débranchez le fil de la bougie, écarter-le de la bougie pour éviter tout démarrage accidentel et laissez la machine avant de la régler, d'en faire l'entretien, de la nettoyer, de la déboucher, de faire le plein ou de la remiser.
- Portez des gants et une protection oculaire pour faire l'entretien de la machine.
- N'enlevez pas et ne modifiez pas les dispositifs de sécurité. Vérifiez régulièrement qu'ils fonctionnent correctement.
- Pour garantir des performances optimales de la machine, utilisez uniquement des pièces de rechange et des accessoires Toro d'origine. Les pièces de rechange et accessoires d'autres constructeurs peuvent être dangereux et leur utilisation risque d'annuler la garantie de la machine.
- Remplacez les dents faussées, endommagées ou desserrées; ne les réparez pas et ne les modifiez pas.
- Maintenez la machine, les accessoires et les outils en bon état de marche.
- N'essayez pas de réparer la machine si vous n'avez pas les outils et instructions corrects pour la démonter, la monter et la réparer.

Programme d'entretien recommandé

Périodicité d'entretien	Procédure d'entretien
À chaque utilisation ou une fois par jour	<ul style="list-style-type: none">• Contrôlez le niveau d'huile moteur et faites l'appoint au besoin.• Vérifiez la tension de la courroie.• Nettoyez les débris sur les ailettes de refroidissement, les prises d'air et les tiges de commande.
Toutes les 2 heures	<ul style="list-style-type: none">• Vérifiez la tension de la courroie.
Toutes les 10 heures	<ul style="list-style-type: none">• Nettoyez l'arbre des dents.
Toutes les 25 heures	<ul style="list-style-type: none">• Faites l'entretien du filtre à air; plus fréquemment si l'atmosphère est très poussiéreuse.
Toutes les 50 heures	<ul style="list-style-type: none">• Remplacez la courroie d'entraînement.• Lubrifiez les pièces mobiles avec de l'huile 30W.
Toutes les 100 heures ou tous les ans, la première échéance prévalant	<ul style="list-style-type: none">• Contrôlez la bougie.
Une fois par an	<ul style="list-style-type: none">• Remplacez le filtre à air; plus fréquemment si l'atmosphère est très poussiéreuse.

Important: Reportez-vous au manuel du moteur pour toutes procédures d'entretien supplémentaires.

Procédures avant l'entretien

Préparation à l'entretien

1. Amenez la machine sur une surface plane et horizontale, coupez le moteur et attendez l'arrêt complet de toutes les pièces mobiles.
2. Débranchez le fil de la bougie.

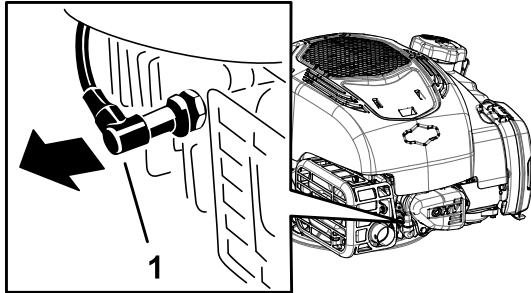


Figure 16

g339525

1. Fil de bougie

3. Rebranchez le fil de la bougie une fois l'entretien terminé.

Important: Avant de basculer la machine, laissez tourner le moteur jusqu'à ce qu'il s'arrête faute de carburant. S'il est nécessaire de basculer la machine avant d'être à sec de carburant, utilisez une pompe à carburant manuelle pour vidanger le carburant.

Entretien du moteur

Entretien du filtre à air

Périodicité des entretiens: Toutes les 25 heures

Une fois par an

1. Déclipez le haut du couvercle du filtre à air.

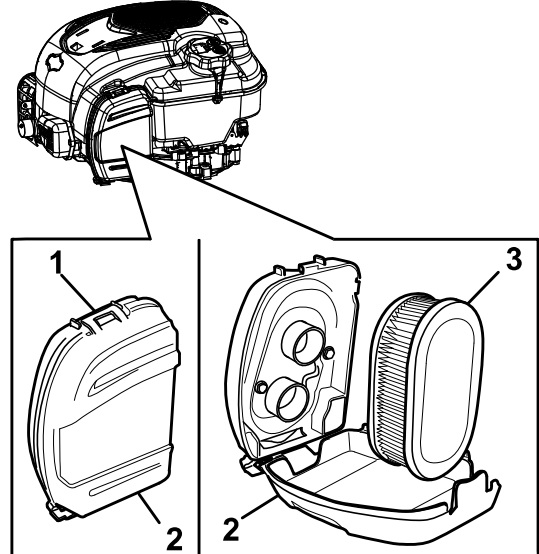


Figure 17

g334791

1. Clip
2. Couvercle du filtre à air
3. Filtre à air

2. Déposez le filtre à air.
3. Examinez le filtre à air.

Remarque: Si le filtre à air est excessivement encrassé, remplacez-le par un neuf. Sinon, tapotez le filtre sur une surface dure pour déloger les débris.

4. Posez le filtre à air
5. Fixez le couvercle du filtre à air en place avec le clip.

Vidange de l'huile moteur

Il n'est pas nécessaire de vidanger l'huile moteur, mais si vous souhaitez le faire, procédez comme suit.

Remarque: Faites tourner le moteur pendant quelques minutes avant la vidange pour réchauffer l'huile. L'huile chaude s'écoule plus facilement et entraîne plus d'impuretés.

Spécifications de l'huile moteur

Capacité d'huile moteur	0,44 L (15 oz liq.)*
Viscosité de l'huile	Huile détergente SAE 30 ou SAE 10W-30
Classe de service API	SJ ou mieux

*Il reste de l'huile dans le carter après la vidange. Ne remplissez pas complètement le carter d'huile. Remplissez le carter d'huile en procédant comme suit.

1. Amenez la machine sur une surface plane et horizontale.
2. Voir Préparation à l'entretien (page 17).
3. Tournez le bouchon dans le sens antihoraire et sortez la jauge.

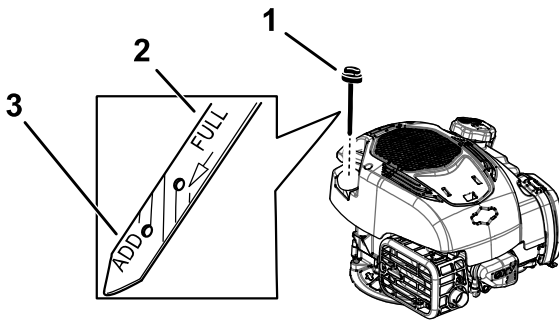


Figure 18

g334792

1. Jauge de niveau
2. Niveau maximum
3. Niveau minimum

4. Basculez la machine sur le côté (filtre à air en haut) pour vidanger l'huile usagée par le tube de remplissage.

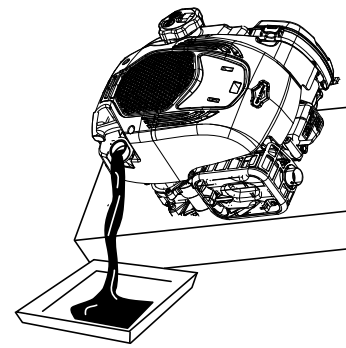


Figure 19

g356437

5. Redressez la machine après avoir vidangé l'huile usagée.
6. Versez avec précaution 75 % environ de la capacité d'huile moteur dans le tube de remplissage d'huile.
7. Attendez 3 minutes que l'huile se stabilise dans le moteur.
8. Essuyez la jauge sur un chiffon propre.
9. Insérez la jauge au fond du goulot de remplissage, puis ressortez-la.
10. Vérifiez le niveau d'huile indiqué sur la jauge.
 - Si le niveau d'huile indiqué par la jauge est trop bas, versez lentement une petite quantité d'huile dans le tube de remplissage, attendez 3 minutes puis répétez les opérations 8 à 10 jusqu'à ce que le niveau d'huile correct soit indiqué par la jauge.
 - Si le niveau d'huile indiqué par la jauge est trop élevé, vidangez l'excédent d'huile jusqu'à ce que le niveau d'huile correct soit indiqué par la jauge.
11. Insérez et vissez solidement la jauge dans le tube de remplissage.
12. Recyclez l'huile usagée conformément à la réglementation.

Important: Vous risquez d'endommager le moteur si vous le faites tourner alors que le niveau d'huile moteur est trop bas ou trop élevé.

Entretien de la bougie

Périodicité des entretiens: Toutes les 100 heures ou tous les ans, la première échéance prévalant

Avant de monter une bougie, vérifiez si l'écartement entre l'électrode centrale et l'électrode latérale est correct.

Utilisez une clé à bougies pour déposer et reposer la bougie, et une jauge d'épaisseur pour contrôler et régler l'écartement des électrodes. Remplacez les bougies au besoin.

Type : Champion RN9YC, ou type équivalent

Écartement des électrodes : 0,75 mm (0,03 po)

Dépose de la bougie

1. Débranchez le fil de la bougie.

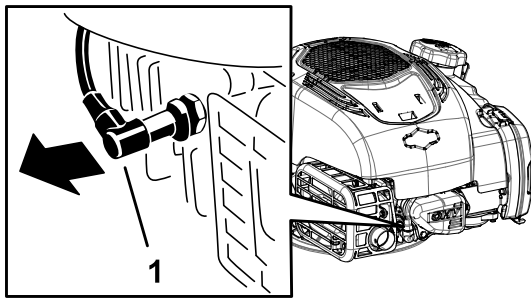


Figure 20

g339525

1. Fil de bougie

2. Nettoyez la surface autour des bougies pour éviter que des impuretés n'endommagent le moteur en tombant à l'intérieur.
3. Déposez la bougie.

Contrôle de la bougie

Important: Ne nettoyez pas la ou les bougies. Remplacez toujours les bougies si elles sont recouvertes d'un dépôt noir ou d'une couche grasse, si elles sont fissurées ou si les électrodes sont usées.

Si le bec isolant est recouvert d'un léger dépôt gris ou brun, le moteur fonctionne correctement. S'il est recouvert d'un dépôt noir, cela signifie généralement que le filtre à air est encrassé.

Réglez l'écartement des électrodes à 0,75 mm (0,03 po).

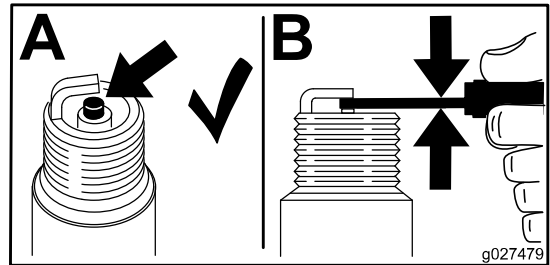


Figure 21

g027479

Pose de la bougie

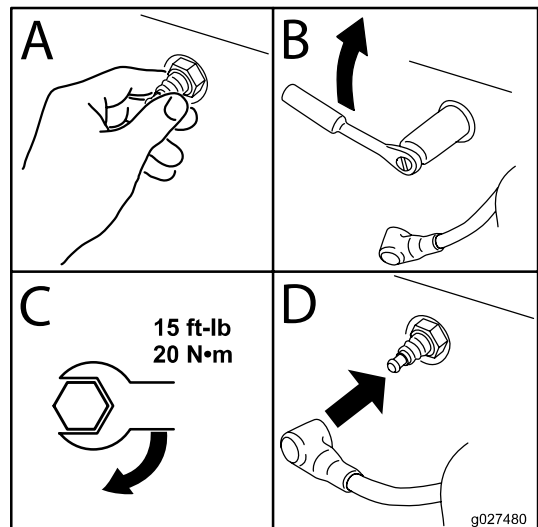


Figure 22

g027480

Entretien des courroies

Contrôle et réglage de la tension de la courroie

Périodicité des entretiens: À chaque utilisation ou une fois par jour

Toutes les 2 heures

La courroie peut se détendre avec le temps. Il peut être nécessaire d'ajuster la courroie dès la première demi-heure de fonctionnement.

Important: Contrôlez la tension de la courroie régulièrement. La courroie peut s'user prématurément si elle n'est pas tendue correctement.

Vous devrez peut-être régler la courroie si vous entendez un bourdonnement constant quand les dents sont engagées ou un grincement quand les dents sont engagées et soumises à une charge.

Remarque: Un court bourdonnement peut se faire entendre après le relâchement du levier de commande pendant l'utilisation de la machine. Ceci est normal et est causé par le contact des dents de la courroie crantée avec le guide-courroie métallique pour arrêter la rotation. Il n'est pas nécessaire de régler la tension de la courroie dans ce cas.

1. Déposez le pare-boue.

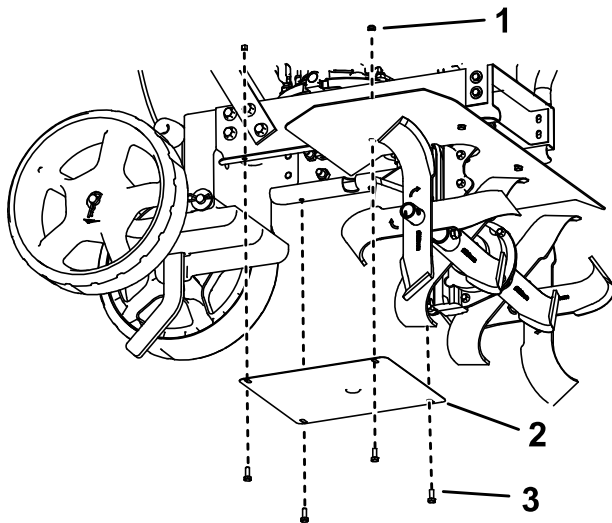


Figure 23

g356418

1. Écrou (4)
2. Pare-boue
3. Boulon (4)

2. Placez le levier de commande en position point mort et mesurez la longueur du ressort de câble détendu.

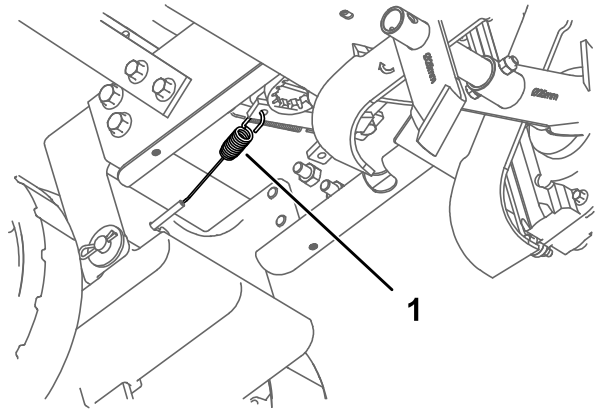


Figure 24

g356417

1. Ressort de câble

3. Baissez le levier de commande et mesurez la longueur du ressort de câble tendu. La différence doit être de 0,6 cm (1/4 po).
4. S'il est nécessaire de régler la courroie, maintenez l'écrou de blocage inférieur en place sur le câble réglable et ajustez l'écrou de blocage supérieur de 0,32 cm (1/8 po) à la fois. Contrôlez à nouveau la tension et répétez la procédure au besoin.

Remarque: Si la tension est incorrecte et qu'il n'est plus possible de régler les écrous de blocage, placez l'extrémité en Z du câble dans le trou suivant du levier de commande, comme montré à la Figure 26. Si la tension n'est toujours pas correcte, remplacez la courroie.

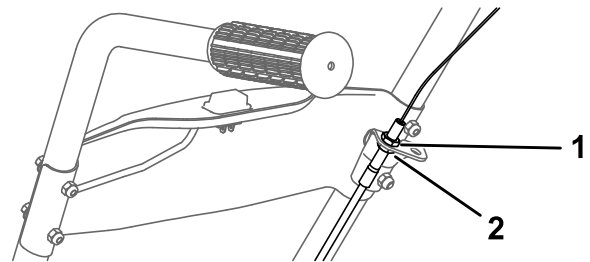


Figure 25

g356421

1. Écrou de blocage supérieur
2. Écrou de blocage inférieur

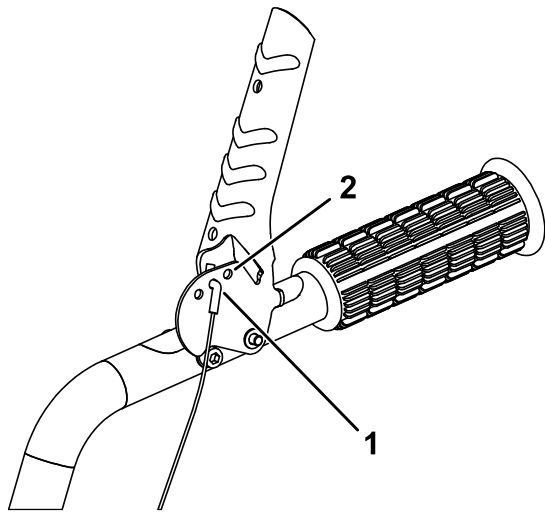


Figure 26

g361541

1. Extrémité en Z-du câble
2. Placer le câble dans ce trou

5. Reposez le pare-boue.

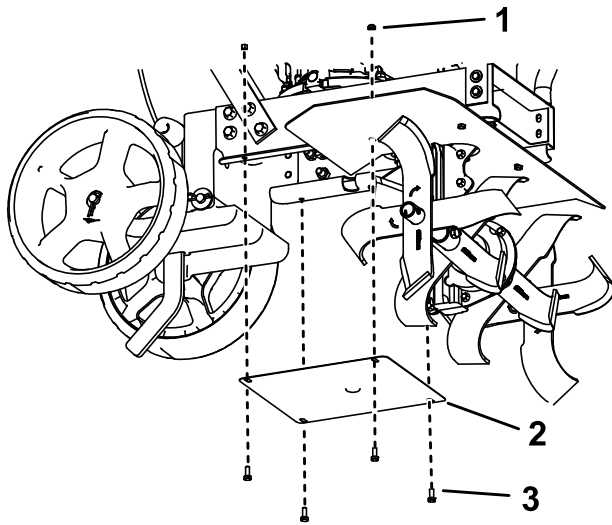


Figure 27

g356418

1. Écrou (4)
2. Pare-boue
3. Boulon (4)

Remplacement de la courroie d'entraînement

Périodicité des entretiens: Toutes les 50 heures/Une fois par an (la première échéance prévalant)

Dépose de la bande transporteuse

1. Déposez le pare-boue.

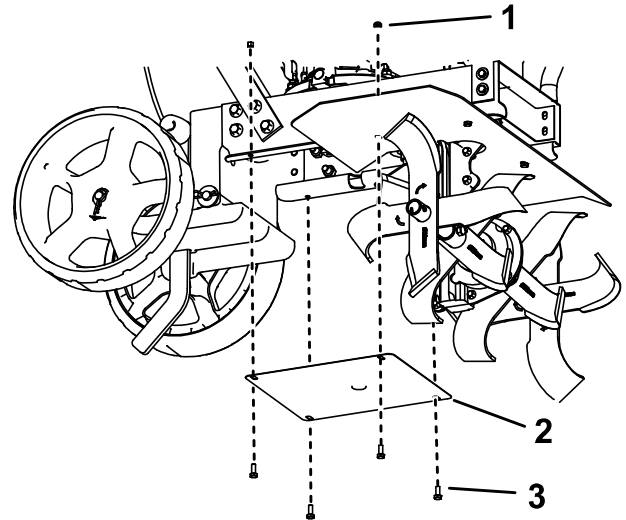


Figure 28

g356418

1. Écrou (4)
2. Pare-boue
3. Boulon (4)

2. Déposez le protège-courroie d'entraînement.

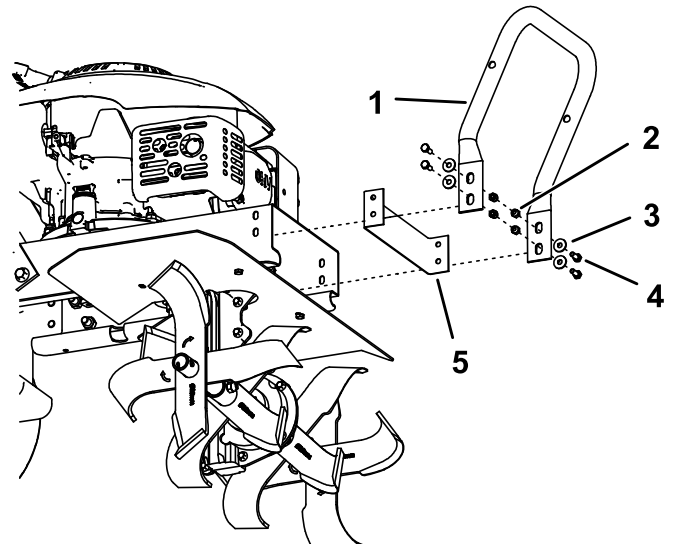


Figure 29

g356422

1. Butée
2. Écrou (4)
3. Rondelle (4)
4. Boulon (4)
5. Protège-courroie d'entraînement

3. Tirez doucement sur le cordon du lanceur pour faire tourner la poulie.
4. Pendant que la poulie tourne, forcez la courroie trapézoïdale hors de la gorge de la poulie.
5. Faites glisser la courroie hors de la poulie de moteur.
6. Tirez la courroie vers le bas et écartez-la.
7. Poussez la courroie vers l'avant et hors de l'avant de la machine.

Pose de la courroie

1. Placez la courroie dans la gorge de la poulie de transmission.
2. Tirez doucement sur le cordon du lanceur pour faire tourner la poulie du moteur tout en forçant la courroie trapézoïdale dans la gorge de la poulie.
3. Reposez le protège-courroie d'entraînement.

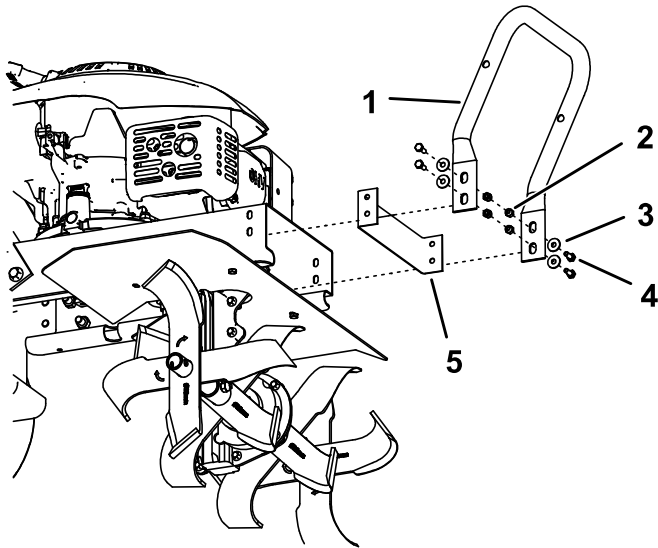


Figure 30

g356422

- | | |
|-----------------|------------------------------------|
| 1. Butée | 4. Boulon (4) |
| 2. Écrou (4) | 5. Protège-courroie d'entraînement |
| 3. Rondelle (4) | |

4. Reposez le pare-boue.

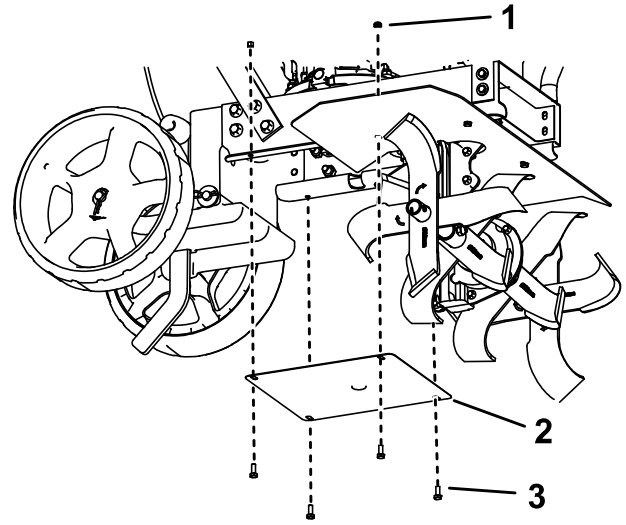


Figure 31

g356418

- | | |
|--------------|---------------|
| 1. Écrou (4) | 3. Boulon (4) |
| 2. Pare-boue | |

5. Contrôlez la tension de la courroie et ajustez-la au besoin.

Nettoyage

Nettoyage de l'arbre des dents

Périodicité des entretiens: Toutes les 10 heures

Enlevez la végétation, la ficelle, le fil de fer et autres matériaux éventuellement accumulés l'essieu entre les dents intérieures et le boîtier de transmission.

Remisage

Consignes de sécurité pour le remisage

- Avant de quitter la position d'utilisation, coupez le moteur de la machine et attendez l'arrêt complet de toutes les pièces mobiles. Débranchez le fil de la bougie, écartez-le de la bougie pour éviter tout démarrage accidentel et laissez la machine avant de la régler, d'en faire l'entretien, de la nettoyer, de la déboucher, de faire le plein ou de la remisage.
- Laissez tourner le moteur jusqu'à ce qu'il s'arrête faute de carburant ou vidangez le reste de carburant avec une pompe manuelle; ne siphonnez jamais le carburant. Si vous devez vidanger le réservoir de carburant, faites-le à l'extérieur.
- Suivez les instructions dans ce *Manuel de l'utilisateur* pour décharger, transporter et remisage la machine en toute sécurité.
- S'il reste du carburant dans le réservoir, ne remisage pas la machine dans un local contenant des sources d'inflammation, telles que chauffe-eau, appareils de chauffage et séchoirs à linge. Laissez refroidir le moteur avant de remisage la machine dans un local fermé.
- Suivez toujours les instructions de remisage qui figurent dans le *Manuel de l'utilisateur* avant de remisage la machine pour une durée prolongée, afin de n'oublier aucune opération importante.

Nettoyage et remisage de la machine

1. Avant de quitter la position d'utilisation, garez la machine sur une surface plane et horizontale, coupez le moteur, enlevez la clé et attendez l'arrêt complet de toutes les pièces en mouvement.
2. Enlevez les débris déposés sur les dents, l'essieu, boîtier de transmission et le moteur.

Important: Vous pouvez laver la machine avec de l'eau et un détergent doux. N'utilisez pas de nettoyeur haute pression. N'utilisez pas trop d'eau, surtout près du moteur et de la transmission.

3. Enduisez légèrement les essieux de graisse pour essieu.
4. Faites l'entretien du filtre à air; voir Entretien du filtre à air (page 17).
5. Si vous devez remisage la machine plus de 30 jours de suite, préparez-la comme suit :

- A. Ajoutez un stabilisateur/conditionneur de carburant dans le réservoir de carburant. Respectez les proportions spécifiées par le fabricant du stabilisateur. N'utilisez pas de stabilisateur à base d'alcool (éthanol ou méthanol).
- B. Faites tourner le moteur pendant 5 minutes pour faire circuler le carburant traité dans tout le système d'alimentation.
- C. Coupez le moteur, laissez-le refroidir et vidangez le réservoir de carburant.
- D. Redémarrez le moteur et laissez-le tourner jusqu'à ce qu'il s'arrête.
- E. Débarrassez-vous du carburant correctement. Recyclez le carburant conformément à la réglementation locale.

Important: Ne conservez pas le carburant additionné de stabilisateur/conditionneur plus longtemps que recommandé par le fabricant du stabilisateur de carburant.

- 6. Déposez la bougie et vérifiez son état; voir Contrôle de la bougie (page 19). Versez 15 ml (1 cuillerée à soupe) d'huile moteur dans l'ouverture laissée par la bougie. Installez la bougie et tirez 3 fois le cordon du lanceur pour enduire le cylindre d'huile. Ne rebranchez pas le fil de la bougie.
- 7. Contrôlez et resserrez toutes les fixations. Réparez ou remplacez toute pièce endommagée.
- 8. Peignez toutes les surfaces métalliques éraflées ou mises à nu. Une peinture pour retouches est disponible chez les dépositaires-réparateurs agréés.
- 9. Remisez la machine debout dans un endroit propre et sec, comme un garage ou une remise. Gardez-la hors de la portée des enfants et des personnes non autorisées. Couvrez la machine pour la protéger et la garder propre.

Dépistage des défauts

Problème	Cause possible	Mesure corrective
Le moteur ne démarre pas.	<ol style="list-style-type: none"> 1. Le réservoir de carburant est vide. 2. L'interrupteur du moteur est en position ARRÊT. 3. Le fil de la bougie est mal branché ou débranché. 	<ol style="list-style-type: none"> 1. Ajouter du carburant. 2. Placez l'interrupteur en position MARCHE. 3. Rebranchez le fil de la bougie.
Le moteur ne tourne pas régulièrement ou se noie pendant le fonctionnement.	<ol style="list-style-type: none"> 1. Le filtre à air est colmaté. 	<ol style="list-style-type: none"> 1. Nettoyez ou remplacez le filtre à air.
Le moteur a du mal à démarrer.	<ol style="list-style-type: none"> 1. Carburant altéré dans le système d'alimentation. 2. Le fil de la bougie est mal branché ou débranché. 3. Le levier de commande est engagé. 	<ol style="list-style-type: none"> 1. Vidangez le réservoir de carburant et remplissez-le de carburant neuf. 2. Rebranchez le fil de la bougie. 3. Relâchez le levier de commande.
Le moteur a des ratés ou manque de puissance.	<ol style="list-style-type: none"> 1. La profondeur de travail est trop importante. 2. Le filtre à air est encrassé ou endommagé. 3. Le carburateur est déréglé. 4. La bougie est humide, piquée ou encrassée, ou l'écartement des électrodes est incorrect. 5. Carburant altéré dans le système d'alimentation. 	<ol style="list-style-type: none"> 1. Levez les dents en relevant la barre de traînée. 2. Nettoyez ou remplacez l'élément du filtre à air. 3. Contactez un dépositaire-réparateur agréé. 4. Montez une bougie neuve, à écartement correct. 5. Vidangez le réservoir de carburant et remplissez-le de carburant neuf.
Le motoculteur avance durant le démarrage.	<ol style="list-style-type: none"> 1. Le levier de commande est serré. 2. La bande n'est pas tendue correctement. 	<ol style="list-style-type: none"> 1. Relâchez le levier de commande. 2. Contrôlez la tension de la courroie et ajustez-la au besoin.
Le motoculteur en marche est difficile à contrôler; la machine fait des bonds ou des embardées en avant.	<ol style="list-style-type: none"> 1. La barre de traînée est réglée trop haut. 	<ol style="list-style-type: none"> 1. Abaissez la barre de traînée pour plus de résistance et un meilleur contrôle de la machine.
Les courroies grincet pendant le fonctionnement en marche avant.	<ol style="list-style-type: none"> 1. La courroie n'est pas tendue correctement. 	<ol style="list-style-type: none"> 1. Contrôlez la tension de la courroie et ajustez-la au besoin.
Un bourdonnement constant se fait entendre quand le levier de commande est serré.	<ol style="list-style-type: none"> 1. Le levier de commande n'est pas complètement serré. 2. Le guide-courroie métallique est trop proche de la poulie de tension. 3. La courroie n'est pas tendue correctement. 4. La courroie est étirée. 	<ol style="list-style-type: none"> 1. Serrez complètement le levier de commande. 2. Prévoyez un espace suffisant entre le guide-courroie et la poulie de tension pour ne pas toucher la courroie. 3. Contrôlez la tension de la courroie et ajustez-la au besoin. 4. Remplacez la courroie.
Accumulation de chaleur excessive au niveau de la transmission/des dents pendant le fonctionnement du motoculteur.	<ol style="list-style-type: none"> 1. De la végétation ou des débris sont coincés dans les dents. 2. Le liquide de transmission est trop bas. 	<ol style="list-style-type: none"> 1. Enlevez la végétation ou les débris. 2. Contrôlez le niveau de liquide de transmission et faites l'appoint au besoin.

Proposition 65 de Californie – Information concernant cet avertissement

En quoi consiste cet avertissement?

Certains produits commercialisés présentent une étiquette d'avertissement semblable à ce qui suit :



AVERTISSEMENT : Cancer et troubles de la reproduction –
www.p65Warnings.ca.gov.

Qu'est-ce que la Proposition 65?

La Proposition 65 s'applique à toute société exerçant son activité en Californie, qui vend des produits en Californie ou qui fabrique des produits susceptibles d'être vendus ou importés en Californie. Elle stipule que le Gouverneur de Californie doit tenir et publier une liste des substances chimiques connues comme causant des cancers, malformations congénitales et/ou autres troubles de la reproduction. Cette liste, qui est mise à jour chaque année, comprend des centaines de substances chimiques présentes dans de nombreux objets du quotidien. La Proposition 65 a pour objet d'informer le public quant à l'exposition à ces substances chimiques.

La Proposition 65 n'interdit pas la vente de produits contenant ces substances chimiques, mais impose la présence d'avertissements sur tout produit concerné, sur son emballage ou sur la documentation fournie avec le produit. D'autre part, un avertissement de la Proposition 65 ne signifie pas qu'un produit est en infraction avec les normes ou exigences de sécurité du produit. D'ailleurs, le gouvernement californien a clairement indiqué qu'un avertissement de la Proposition 65 « n'est pas une décision réglementaire quant au caractère « sûr » ou « dangereux » d'un produit ». Bon nombre de ces substances chimiques sont utilisées dans des produits du quotidien depuis des années, sans aucun effet nocif documenté. Pour plus de renseignements, rendez-vous sur <https://oag.ca.gov/prop65/faqs-view-all>.

Un avertissement de la Proposition 65 signifie qu'une société a soit (1) évalué l'exposition et conclu qu'elle dépassait le « niveau ne posant aucun risque significatif »; soit (2) choisi d'émettre un avertissement simplement sur la base de sa compréhension quant à la présence d'une substance chimique de la liste, sans tenter d'en évaluer l'exposition.

Cette loi s'applique-t-elle partout?

Les avertissements de la Proposition 65 sont exigés uniquement en vertu de la loi californienne. Ces avertissements sont présents dans tout l'état de Californie, dans des environnements très variés, notamment mais pas uniquement les restaurants, magasins d'alimentations, hôtels, écoles et hôpitaux, et sur un vaste éventail de produits. En outre, certains détaillants en ligne et par correspondance fournissent des avertissements de la Proposition 65 sur leurs sites internet ou dans leurs catalogues.

Quelles différences entre les avertissements de Californie et les limites fédérales?

Les normes de la Proposition 65 sont souvent plus strictes que les normes fédérales et internationales. Diverses substances exigent un avertissement de la Proposition 65 à des niveaux bien inférieurs aux limites d'intervention fédérales. Par exemple, la norme de la Proposition 65 en matière d'avertissements pour le plomb se situe à 0,5 µg/jour, soit bien moins que les normes fédérales et internationales.

Pourquoi l'avertissement ne figure-t-il pas sur tous les produits semblables?

- Pour les produits commercialisés en Californie, l'étiquetage Proposition 65 est exigé, tandis qu'il ne l'est pas sur des produits similaires commercialisés ailleurs.
- Il se peut qu'une société impliquée dans un procès lié à la Proposition 65 et parvenant à un accord soit obligée d'utiliser les avertissements de la Proposition 65 pour ses produits, tandis que d'autres sociétés fabriquant des produits semblables peuvent ne pas être soumises à cette obligation.
- L'application de la Proposition 65 n'est pas uniforme.
- Certaines sociétés peuvent choisir de ne pas indiquer d'avertissements car elles considèrent qu'elles n'y sont pas obligées au titre de la Proposition 65; l'absence d'avertissements sur un produit ne signifie pas que le produit ne contient pas de substances de la liste à des niveaux semblables.

Pourquoi cet avertissement apparaît-il sur les produits Toro?

Toro a choisi de fournir aux consommateurs le plus d'information possible afin qu'ils puissent prendre des décisions éclairées quant aux produits qu'ils achètent et utilisent. Toro fournit des avertissements dans certains cas d'après ses connaissances quant à la présence de l'une ou plusieurs des substances chimiques de la liste, sans en évaluer le niveau d'exposition, car des exigences de limites ne sont pas fournies pour tous les produits chimiques de la liste. Bien que l'exposition avec les produits Toro puisse être négligeable ou parfaitement dans les limites « sans aucun risque significatif », par mesure de précaution, Toro a décidé de fournir les avertissements de la Proposition 65. De plus, en l'absence de ces avertissements, la société Toro pourrait être poursuivie en justice par l'État de Californie ou par des particuliers cherchant à faire appliquer la Proposition 65, et donc assujettie à d'importantes pénalités.