

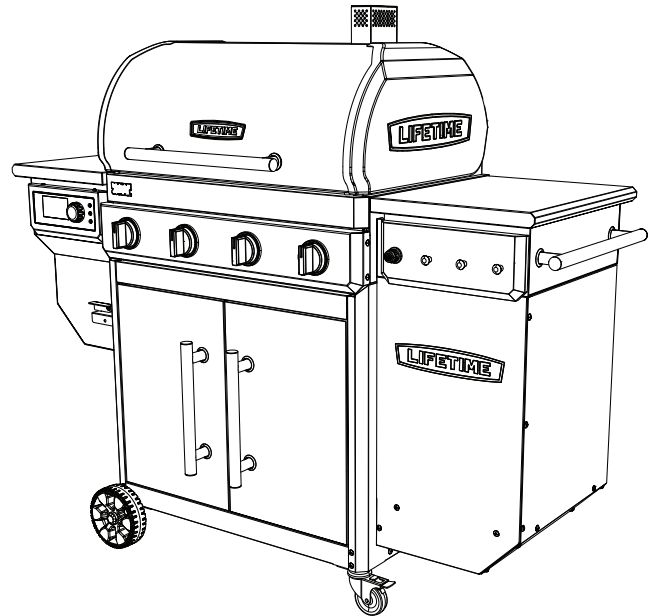


# ASSEMBLY INSTRUCTIONS

## OUTDOOR

### GAS GRILL & PELLET SMOKER

MODEL 91025



PLEASE READ THIS ENTIRE MANUAL AND THE USER'S GUIDE BEFORE THE INSTALLATION AND USE OF THIS GRILL AND PELLET FUEL-BURNING APPLIANCE. CONTACT LOCAL BUILDING OR FIRE OFFICIALS ABOUT RESTRICTIONS AND INSTALLATION INSPECTION REQUIREMENTS IN YOUR AREA. FAILURE TO FOLLOW THESE INSTRUCTIONS COULD RESULT IN PROPERTY DAMAGE, BODILY INJURY OR EVEN DEATH. SAVE THESE INSTRUCTIONS.

**A MAJOR CAUSE OF FIRES IS FAILURE TO MAINTAIN REQUIRED CLEARANCES (AIR SPACES) TO COMBUSTIBLE MATERIALS. IT IS OF UTMOST IMPORTANCE THAT THIS PRODUCT BE INSTALLED ONLY IN ACCORDANCE WITH THESE INSTRUCTIONS.**

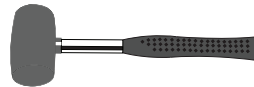
#### TOOLS REQUIRED (NOT INCLUDED)



#2 (Phillips)



#3 (Phillips)



#### TABLE OF CONTENTS

Safety—Dangers, Warnings and Cautions.....	2
Helpful Hints.....	4
Gas Grill Cabinet Assembly.....	5
Grill and Storage Box Assembly.....	10
Grill and Smoker Parts View.....	32
Grill Cabinet Parts View.....	33
Propane Compartment Parts View.....	34
Registration.....	38
Warranty.....	39

#### QUESTIONS?

Dial **1-800-225-3865**  
7:00 am–5:00 pm (Monday–Friday) MST  
and 9:00 am–1:00 pm Saturday MST  
(English, Français, Español)

#### CONTACT LIFETIME® CUSTOMER SERVICE:

Live Chat: [www.lifetime.com/customerservice](http://www.lifetime.com/customerservice)  
(click on "LIVE CHAT" tab)

**MODEL# AND PRODUCT ID** (you will need both when contacting us)  
Model Number: **91025**  
Product ID:



# SAFETY—DANGERS, WARNINGS AND CAUTIONS

**READ AND FOLLOW ALL WARNINGS AND INSTRUCTIONS BEFORE ASSEMBLING AND USING THIS APPLIANCE.** These assembly instructions contain important product dangers, warnings and cautions necessary for proper assembly and safe use of this appliance. Anyone using this grill and pellet smoker must follow all warnings and instructions. Failure to follow these instructions could result in property damage, bodily injury or even death. Contact local building or fire officials about restrictions and installation inspection requirements in your area.

**KEEP THIS MANUAL FOR FUTURE REFERENCE.**

**DANGER, WARNING, and CAUTION statements are used throughout this manual to emphasize critical and important information. The statements are defined as:**

- ▲ DANGER:** Indicates a hazardous situation which, if not avoided, WILL result in death or serious injury.
- ▲ WARNING:** Indicates a hazardous situation which, if not avoided, COULD result in death or serious injury.
- ▲ CAUTION:** Indicates a hazardous situation which, if not avoided, COULD result in minor or moderate injury.

## ▲ DANGERS

**DANGER—If you smell gas:**

- Shut off gas to the appliance, by turning the handwheel clockwise to a full stop.
- Turn off the grill temperature control knobs and extinguish any open flame.
- Open the lid.
- If odor continues, keep away from the appliance and immediately call your local fire department.

**Failure to follow these instructions could result in fire or explosion which could cause property damage, personal injury or death.**

**DANGER**

- NEVER operate this appliance unattended.
- NEVER operate this appliance within 4 ft (~1.2 m) of any structure, combustible material or other gas cylinder.
- NEVER operate this appliance with 25 ft (7.5 m) of any other flammable liquid.
- NEVER allow oil or grease to get hotter than 400°F or 200°C. If the temperature exceeds 400°F (200°C) or if oil begins to smoke, immediately turn the burner or gas supply OFF.
- If a fire should occur, keep away from the appliance and immediately call your fire department. DO NOT attempt to extinguish an oil or a grease fire with water.

**Failure to follow these instructions could result in fire, explosion or burn hazard which could cause property damage, personal injury or death.**

## ▲ DANGERS (CONTINUED)

- DANGER**—DO NOT use this appliance indoors! This grill and pellet smoker is designed ONLY for outdoor use in a well-ventilated area. It is not intended for use as a heater and should NEVER be used as such. If used indoors, toxic fumes WILL accumulate and cause serious bodily injury or death.
- DANGER**—DO NOT use this grill and pellet smoker in a garage, building, shed, breezeway, tent, screened-in porch or any other enclosed area or under eaves or veranda.
- DANGER**—This grill and pellet smoker is designed for outdoor residential use ONLY and not intended for commercial use.
- DANGER**—Hazardous voltage is present within the pellet smoker and can shock, burn or cause death. NEVER perform maintenance on this grill and pellet smoker while it is plugged into a power source. ALWAYS unplug this appliance before servicing or cleaning.
- DANGER**—ALWAYS keep flammable vapors and liquids well away from the grill and pellet smoker. NEVER use gasoline, gasoline-type lantern fuel, kerosene, charcoal lighter fluid, or any flammable liquids to start or ‘freshen up’ a flame in this appliance.

## ▲ WARNINGS—CARBON MONOXIDE

- WARNING**—Carbon monoxide is a poisonous, colorless, odorless gas capable of killing you. Follow these guidelines to prevent carbon monoxide from poisoning you, your family or others.
  - Know the symptoms of carbon monoxide poisoning: dull headache, weakness, dizziness, nausea or vomiting, shortness of breath, confusion, blurred vision and loss of consciousness. Carbon monoxide can build up in the bloodstream, leading to loss of consciousness or even death.
  - Consult a doctor if anyone develops cold- or flu-like symptoms while in the vicinity of this appliance. Carbon monoxide poisoning, which can easily be mistaken for a cold or flu, is often detected too late.
  - Alcohol consumption and drug use are known to increase the effects of carbon monoxide poisoning. Also, alcohol consumption and drug use may compromise the ability to recognize symptoms of carbon monoxide poisoning.
  - Carbon monoxide is especially toxic to mother and child during pregnancy, infants, the elderly, smokers, and people with blood or circulatory system problems, such as anemia or heart disease.
  - DO NOT use the grill and pellet smoker in a confined and/or habitable space, e.g., houses, tents, caravans, motor homes, boats. Carbon monoxide poisoning is potentially fatal.

## ▲ WARNINGS—GENERAL

- WARNING**—Creosote—Formation and need for removal. When wood pellets are burned slowly, they produce tar and other organic vapors that combine with expelled moisture to form what is known as creosote. Creosote vapors condense in a relatively cool oven flue and exhaust hood of a slow burning fire. As a result, creosote residue accumulates on the flue lining and exhaust hood. When ignited, creosote makes an extremely hot fire. During periodic maintenance of the grill and pellet smoker, use creosote remover to clean the creosote and other residues from the burn pot.

- WARNING**—For outdoor use only. Installation of the grill and pellet smoker must be located so gases, including smoke, do not enter any building. Consult with the local fire or building codes for additional requirements.
- WARNING**—DO NOT use this grill and pellet smoker unless all parts are in place and secure. This grill and pellet smoker must be properly assembled according to the assembly instructions. Improper assembly may be dangerous.
- WARNING**—ALL who use this appliance should exercise caution during operation. The appliance will be hot during preheating, cooking or heat cleaning, and should NEVER be left unattended.
- WARNING**—DO NOT move this appliance during use.
- WARNING**—During cooking, surfaces will be hot. Keep children and pets away at all times.
- WARNING**—This grill and pellet smoker is NOT intended to be installed in or on recreational vehicles or boats.
- WARNING**—DO NOT use the grill and pellet smoker in inclement weather, e.g., rain, snow, wind, etc.
- WARNING**—DO NOT wear clothing with long sleeves while lighting or operating the grill and pellet smoker.
- WARNING**—NEVER touch the cooking grates, burn pot, pellet igniter, ash and grease system, or grill to see if they are hot.
- WARNING**—Use heat-resistant oven mitts or gloves while cooking and handling the lid, cooking grates, warming rack or temperature probes.
- WARNING**—Maximum side table load is 25 lb. DO NOT lean on or overload the side tables.
- WARNING**—DO NOT move, cover or store the grill and pellet smoker until all fuel is extinguished. The grill and pellet smoker must be completely cool before moving.
- WARNING**—Use this grill and pellet smoker only as described in this manual. Misuse may cause fire, electric shock, injury or even death.
- WARNING**—DO NOT use the grill and pellet smoker within 10 ft (3 m) of any body of water, e.g., pool, pond, etc. Chlorine and other pool chemicals will corrode metals.
- WARNING**—Food temperature probes are very sharp and can become hot when in use. Use caution when handling the probes to avoid the risk of injury. When not in use, store the probes in the storage box.
- WARNING**—DO NOT add water to the pellets in an effort to make your meats more moist. Water expands the pellets and clogs the auger system and burn pot.
- WARNING**—ALWAYS start the grill and pellet smoker with the lid open.

## ▲ WARNINGS—GREASE FIRES & FLARE-UPS

- WARNING**—The best way to prevent grease fires and flare-ups is through regular care and maintenance. Please read the Care & Maintenance section in the accompanying User’s Guide.
- WARNING**—NEVER operate this grill and pellet smoker without the ash and grease system in place. ALWAYS use the drip tray to collect the grease. Clean the drip tray periodically. To decrease the chance of a grease fire, ensure the ash and grease system, heat diffuser, and all burner shields are all properly installed.
- WARNING**—The ash and grease system and cook box should be inspected at least twice a year to determine when grease and/or creosote buildup has occurred. When grease or creosote has accumulated, it should be removed to reduce the risk of fire.
- WARNING**—NEVER remove the drip tray while operating the grill and pellet smoker.



## SAFETY—DANGERS, WARNINGS AND CAUTIONS

**WARNING**—DO NOT use water to control flare-ups or to extinguish fuel.

**WARNING**—DO NOT use charcoal briquettes, liquid fuels or lava rock with this grill and pellet smoker. ONLY use the grill and pellet smoker with a fuel source designed for it:

1. Liquid propane gas for the grill. DO NOT use any other type of liquid fuel, e.g., gas, kerosene, etc.
2. Use ONLY pellets made from 100% natural food-grade hardwood for the pellet smoker. DO NOT Use pellet fuel labeled as having additives.

**WARNING**—The use of alcohol, prescription, or non-prescription drugs may impair the consumer's ability to properly assemble or safely operate the grill and pellet smoker.

**WARNING**—DO NOT cover the drip tray with aluminum foil. Failure to heed this warning will reduce the life of the cook box, drip pan, burn pot and flame sensor. Our proprietary drip tray design makes it easy to remove and clean. For periodic maintenance of the grill and pellet smoker, simply remove the drip tray to clean it. To learn how to clean the drip tray, see the Care & Maintenance section of the User's Guide.

### ⚠️ WARNINGS—ELECTRICAL

**WARNING**—Your Lifetime® grill & pellet smoker is supplied with a power cord with a three-prong plug for protection against electrical shock hazard. It should ONLY be plugged directly into a grounded three-prong outlet designed for this plug. DO NOT use a plug adapter. If using an extension cord, keep the extension cord as short as possible. DO NOT use an extension cord longer than 15 ft (4.5 m).

**WARNING**—If using an extension cord, it should be 14 gauge and suitable for use with outdoor appliances.

**WARNING**—ALWAYS examine the power cord and any extension cord before use. Replace if damaged. DO NOT operate this appliance with a damaged power cord, plug or extension cord. DO NOT operate this appliance if the electrical outlet is damaged.

**WARNING**—DO NOT cut, remove or modify the plug in any way.

**WARNING**—ONLY pull from the plug when removing the power cord from the grill and pellet smoker or wall outlet. DO NOT pull from the cord itself.

**WARNING**—Keep the power cord and any extension cord away from heated surfaces or water. Arrange the cords to reduce the possibility of a tripping hazard. To keep the power cord in good-working condition, wrap the cord around the bracket on the back of the hopper when not in use or store the cord in the storage box.

**WARNING**—3-prong ground-fault circuit interrupter (GFCI) protection is required for use with this appliance.

### ⚠️ WARNINGS—COMBUSTIBLE MATERIALS

**WARNING**—DO NOT use this grill and pellet smoker within 4 ft (≈1.2 m) of any combustible material, e.g., wood or treated wood decks, patios, porches, vinyl siding, patio doors, etc.

**WARNING**—ALWAYS keep the grill and pellet smoker on a secure and level surface, clear of combustible materials.

**WARNING**—DO NOT use this grill and pellet smoker under any overhead combustible construction, e.g., ceilings, overhangs, eaves, awnings, etc.

**WARNING**—Disposal of ashes—ALWAYS wait for the grill and pellet smoker to completely cool after proper shutdown. DO NOT dispose of any grease or ash until it is fully cooled. Ashes should be placed in a metal container with a tight-fitting lid and placed

on a non-combustible surface or on the ground, well away from all combustible materials. The ashes should be retained in the closed container until all cinders have thoroughly cooled. When the ashes are disposed by burial in soil, douse the ashes with water.

### ⚠️ WARNINGS—CARE & MAINTENANCE

**WARNING**—It is imperative you regularly check the burn pot, auger and cook box for any obstructions that might block and prevent proper air flow. See the CARE & MAINTENANCE section for more details.

**WARNING**—If the grill and pellet smoker is stored outside when not in use, during rain or high humidity, the wood pellets in the hopper should be inspected to ensure they are dry. When pellets get wet or exposed to high humidity, they can expand, break apart and clog or obstruct the auger feeding system. Dump the unburned pellets from the hopper and store them in an air-tight plastic bag.

**WARNING**—When finished cooking, push and hold the ON/OFF button to run the shutdown procedure. The shutdown procedure lasts about 15 minutes, keeps the fan blowing to cool down the auger system but turns off the auger feeding the pellets to the burn pot. DO NOT unplug the smoker before the shutdown procedure ends. The pellets remaining in the burn pot need to burn off. The surfaces will still be too hot to the touch.

### ⚠️ CAUTIONS

**CAUTION**—DO NOT use accessories or components not specified for use with this appliance.

**CAUTION**—Ensure all electrical connections are kept dry and off of the ground.

**CAUTION**—Observe all safety rules, local laws and regulations associated with this appliance. READ AND UNDERSTAND ALL these dangers, warnings and cautions.

**CAUTION**—When connecting this appliance to a power supply, ensure that the supply voltage corresponds with the voltage rating marked on the appliance label.

**CAUTION**—ALWAYS unplug the grill & pellet smoker from the outlet when not in use and before cleaning. Allow the grill and pellet smoker to cool completely before performing any maintenance.

**CAUTION**—Use extreme caution when removing the ash and grease system and disposing of hot grease or ashes.

**CAUTION**—DO NOT allow the hopper to empty during operation of this grill and pellet smoker.

**CAUTION**—ALWAYS store pellets in a dry place away from moisture and located away from this and any heat-producing appliance.

**CAUTION**—DO NOT submerge meat probes in water to wash or clean them. Clean meat probes down with a mild dish soap and a damp cloth.

### ⚠️ CALIFORNIA PROPOSITION 65 WARNINGS

**WARNING**—This product can expose you to chemicals including wood dust, which is known to the state of California to cause cancer. For more information go to [www.P65Warnings.ca.gov](http://www.P65Warnings.ca.gov)

**WARNING**—This product can expose you to chemicals including combustion by-products (including soot and carbon monoxide), which are known to the state of California to cause cancer and birth defects or other reproductive harm. For more information go to [www.P65Warnings.ca.gov](http://www.P65Warnings.ca.gov)

**WARNING**—This product can expose you to chemicals including nickel, which is known to the state of California to cause cancer. For more information go to [www.P65Warnings.ca.gov](http://www.P65Warnings.ca.gov)



## HELPFUL HINTS

- At least three people are required for assembly.
- Assemble this appliance outdoors on a flat, level and soft surface.
- To help keep parts looking new, **ONLY** unpack parts as needed during the assembly process.
- **DO NOT** use power tools for assembly.
- **DO NOT** throw away any boxes until you've verified they are empty. The hardware is shipped in blister packs for quality control. These should not be thrown away.
- **ALWAYS** keep the lid closed while assembling or moving this appliance.
- **DO NOT** use this appliance until all dangers, warnings and cautions shown in this manual and in the User's Guide are read and understood.
- **ENSURE** all parts are assembled and all hardware is tightened before operating this appliance.
- **ENSURE** all packaging materials and protective film have been removed before operating this appliance.
- **ENSURE** all wire connections are secure before operating this appliance.

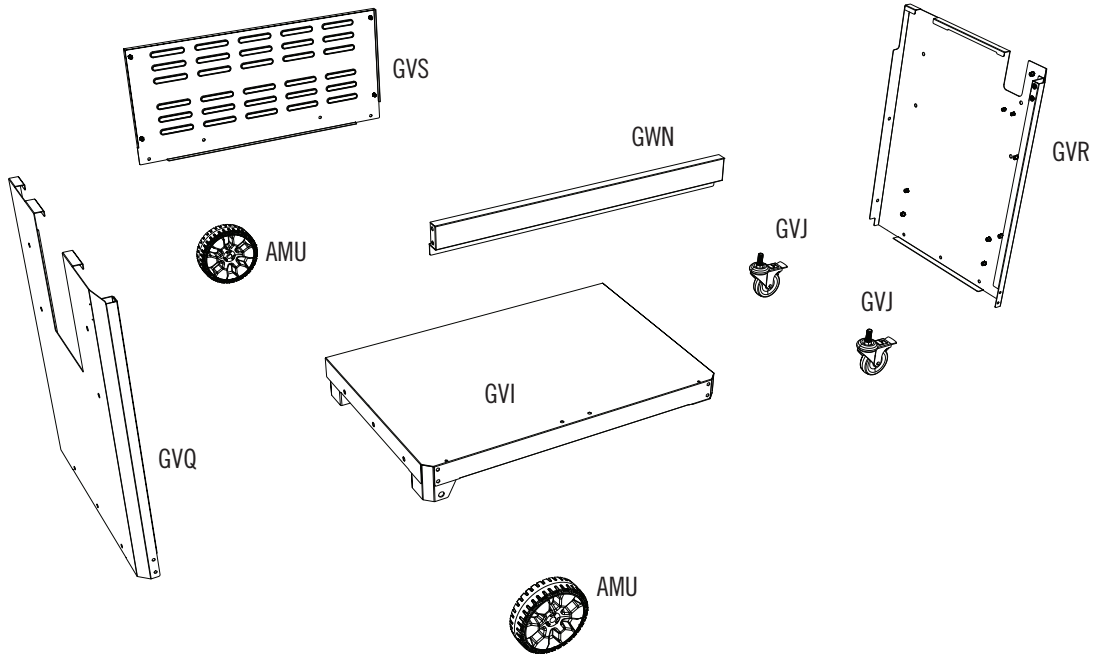


# 1

## GAS GRILL CABINET ASSEMBLY

### GRILL CABINET ASSEMBLY PARTS

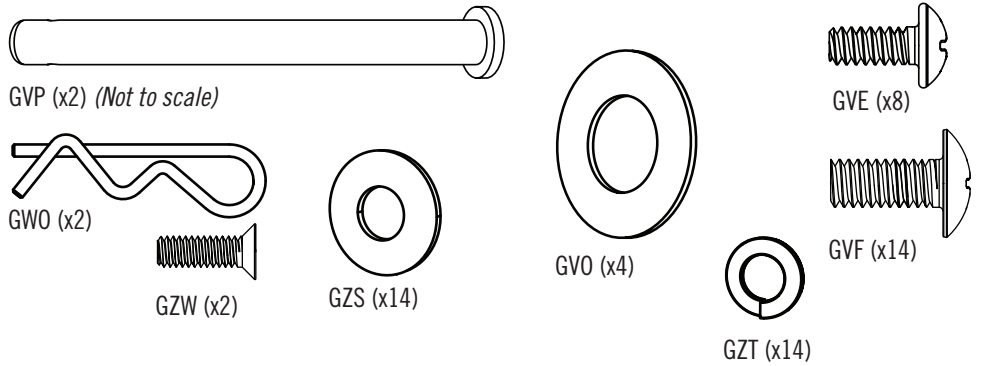
- GVI Cabinet Floor
- GVS Rear Cabinet Panel
- GVQ Left Cabinet Panel
- GVR Right Cabinet Panel
- GWN Cabinet Cross Brace
- GVJ Caster
- AMU Wheel



### SECTION 1 BLISTER PACK HARDWARE (HAC)



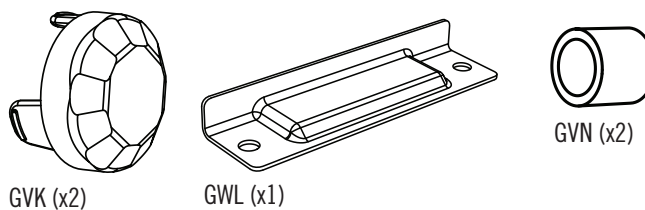
- GVP Wheel Axle
- GVO Large Washer
- GVE #8-32 x 1/2" Truss Screw
- GVF 1/4"-20 x 1/2" Truss Screw
- GWO Axle Cotter Key
- GZS 1/4" Flat Washer
- GZT 1/4" Lock Washer
- GZW #8-32 x 1/2" Flat-Head Screw



### SECTION 1 HARDWARE BOX (GZZ)



- GVK Hub Cap
- GVN Axle Spacer
- GWL Door Stop

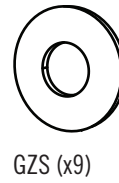
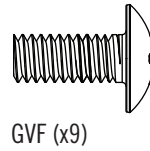
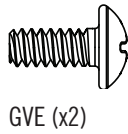
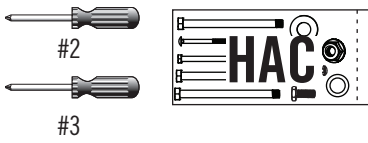


### TOOLS REQUIRED



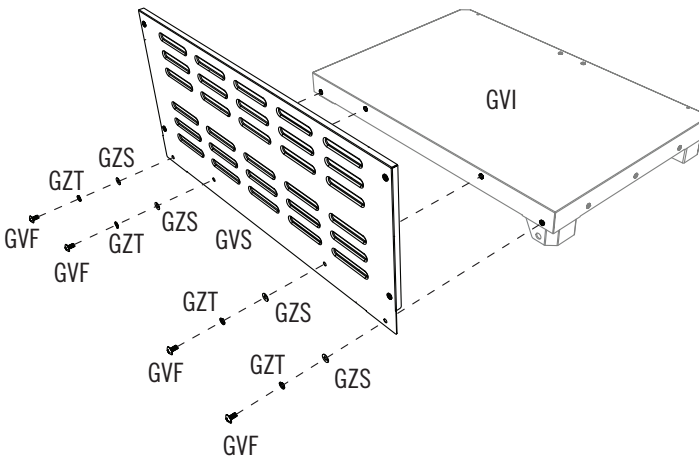
## SECTION 1 (CONTINUED)

TOOLS AND HARDWARE REQUIRED



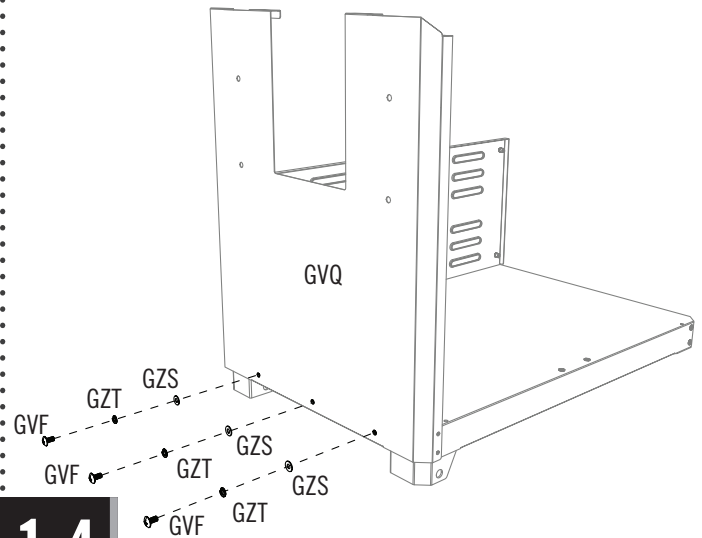
### 1.1

- Secure the **rear panel (GVS)** to the **cabinet floor (GVI)** using the hardware indicated. **Insert all four screws before tightening.**



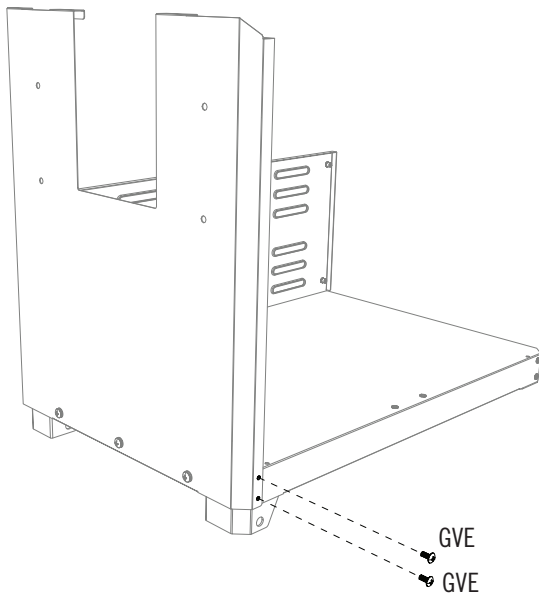
### 1.2

- Attach the **left panel (GVQ)** to the cabinet floor using the hardware indicated. **Do not completely tighten the screws yet.**



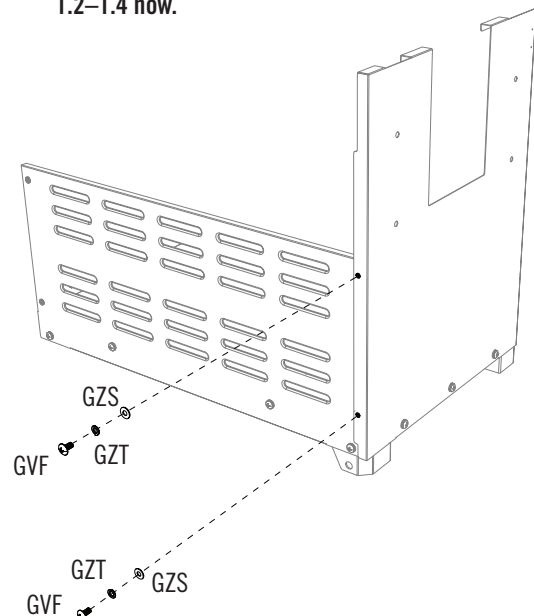
### 1.3

- Attach the left panel to the cabinet floor using the hardware indicated. **Do not completely tighten the screws yet.**



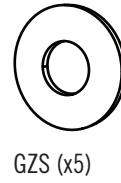
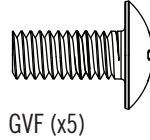
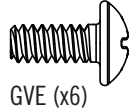
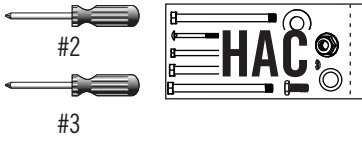
### 1.4

- Attach the left panel to the rear panel using the hardware indicated. **Tighten all screws from steps 1.2–1.4 now.**



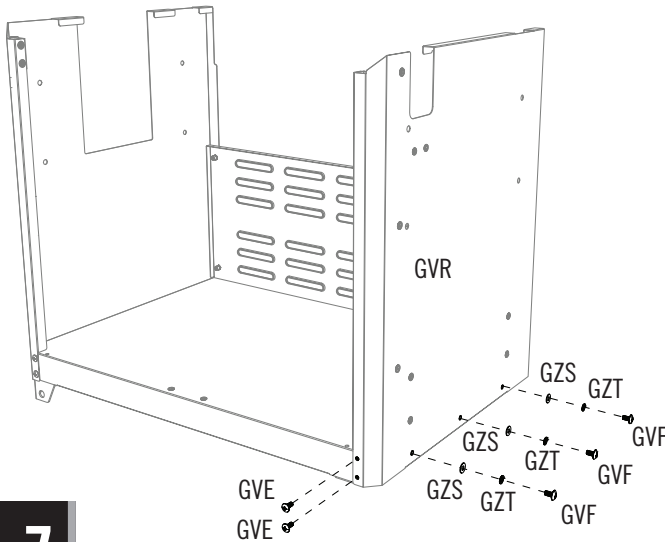
## SECTION 1 (CONTINUED)

TOOLS AND HARDWARE REQUIRED



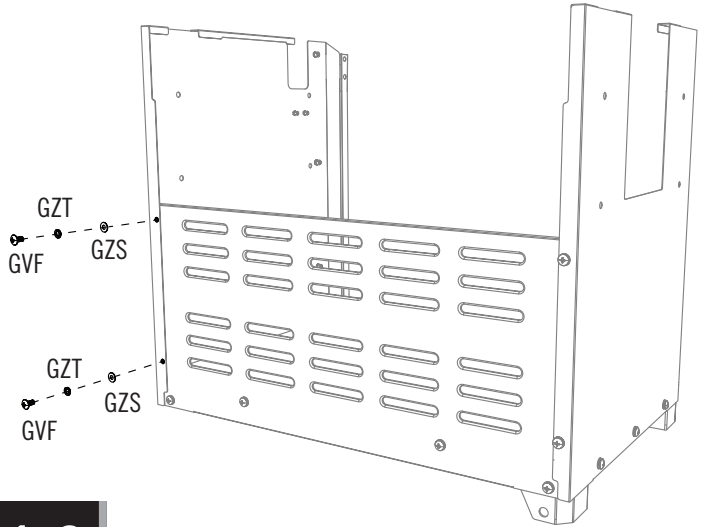
### 1.5

- Secure the **right panel (GVR)** to the cabinet floor using the hardware indicated at the locations shown. **Do not completely tighten the screws yet.**



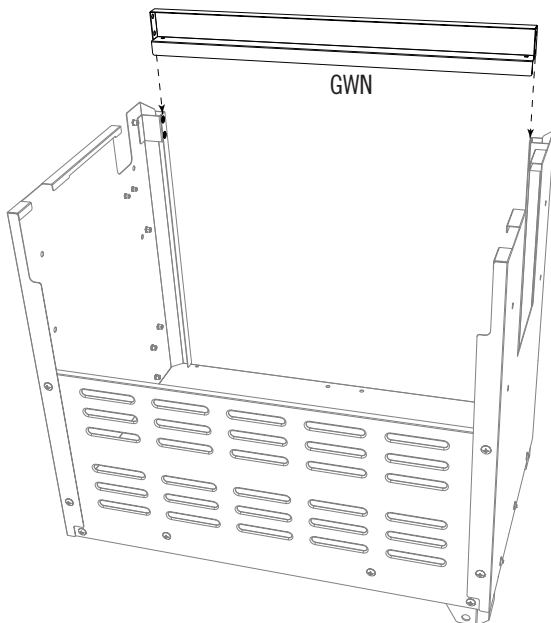
### 1.6

- Secure the right panel to the rear panel using the hardware indicated. **Tighten all screws from steps 1.5–1.6.**



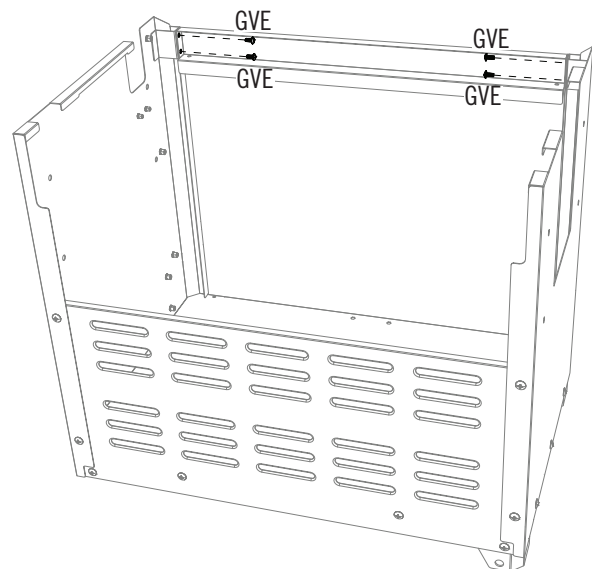
### 1.7

- Slide the **cross brace (GWN)** in between the two side panels and align the holes.



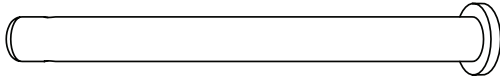
### 1.8

- Secure the cross brace to the panels using four (4) **screws (GVE)**.



## SECTION 1 (CONTINUED)

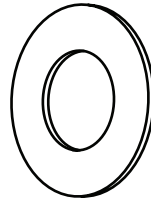
TOOLS AND HARDWARE REQUIRED



GVP (x2) (Not to scale)



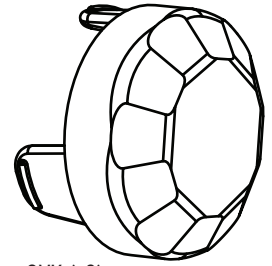
GWO (x2)



GVO (x4)



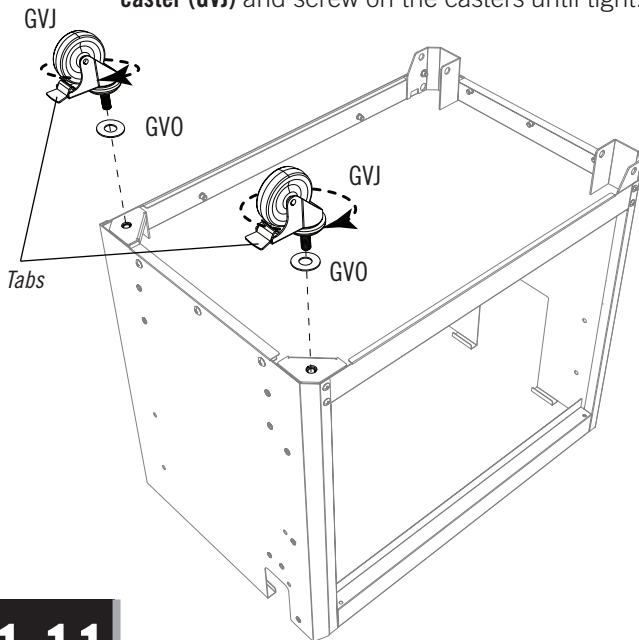
GVN (x2)



GVK (x2)

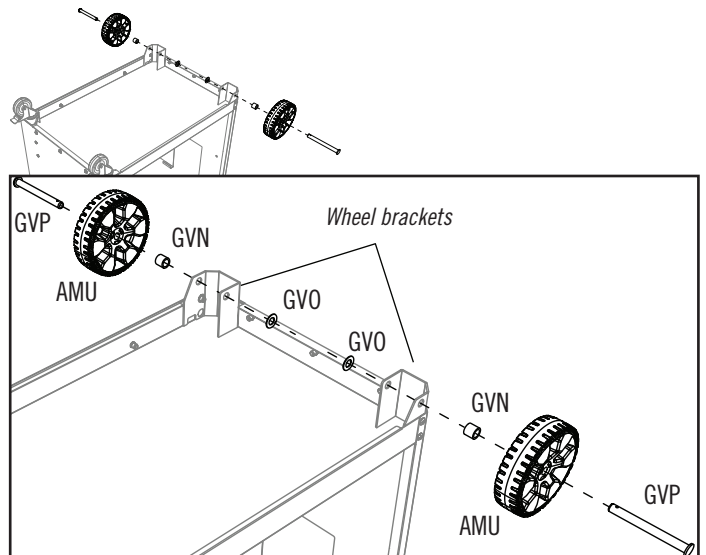
### 1.9

- Lock the casters by pressing down on the tabs. Carefully flip the cabinet over. Slip a washer (GVO) over each caster (GVJ) and screw on the casters until tight.



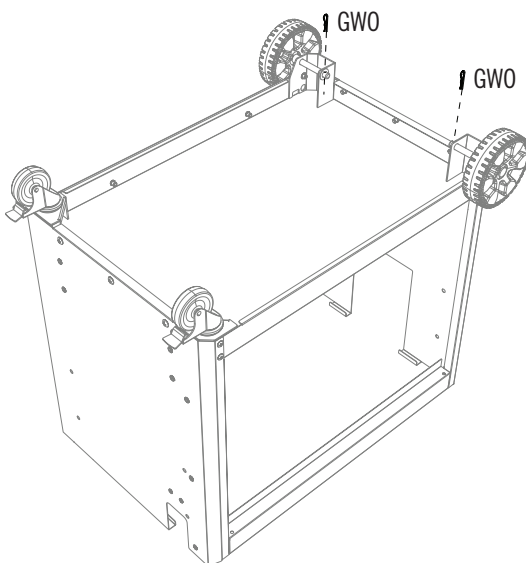
### 1.10

- Slide an axle (GVP) through each wheel (AMU), a spacer (GVN), the wheel bracket on the floor and a washer (GVO) as shown.



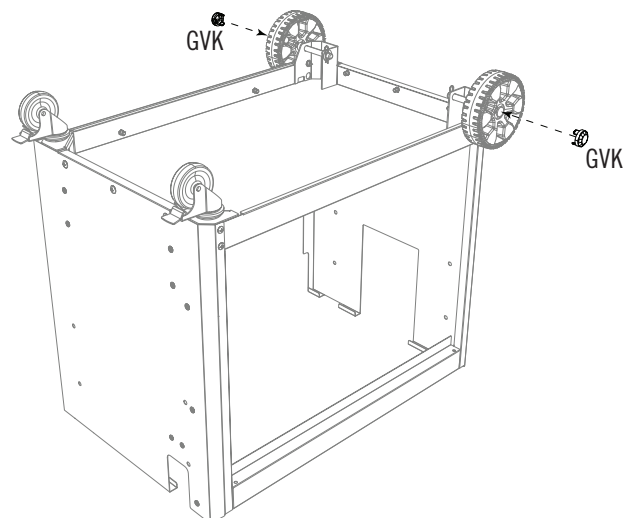
### 1.11

- Insert a cotter key (GWO) through each axle to secure the wheels in place.



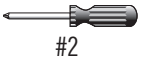
### 1.12

- Snap a hub cap (GVK) onto each wheel as shown. If necessary, use a rubber mallet to gently tap the caps in.

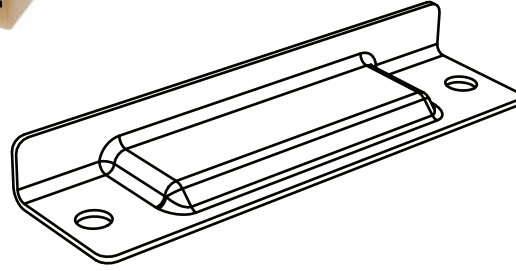


## ▶ SECTION 1 (CONTINUED)

TOOLS AND HARDWARE REQUIRED



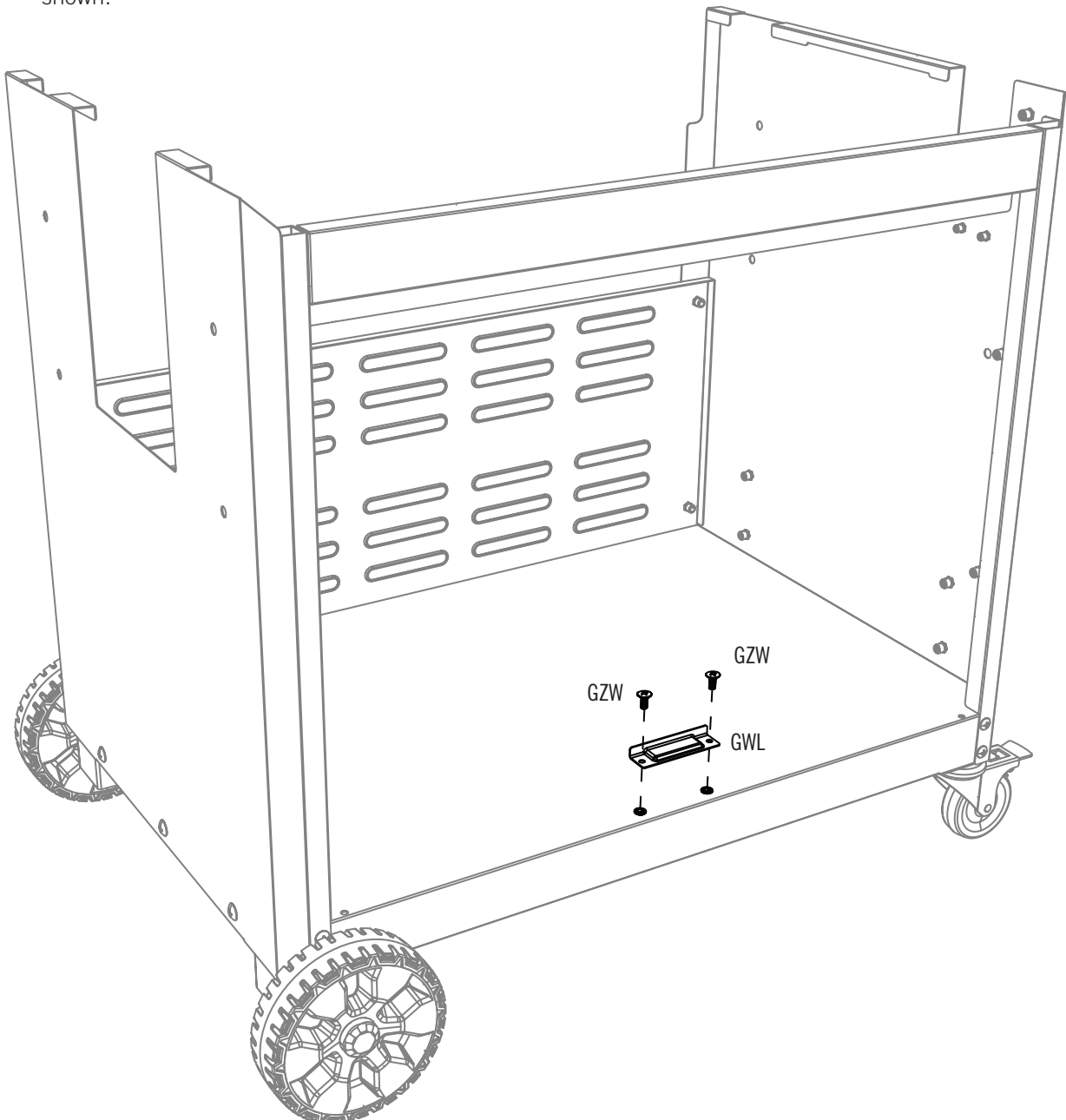
GZW (x2)



GWL (x1)

# 1.13

- With the casters still locked, flip the cabinet upright. Secure the doorstop (GWL) to the floor using two (2) screws (GZW) shown.



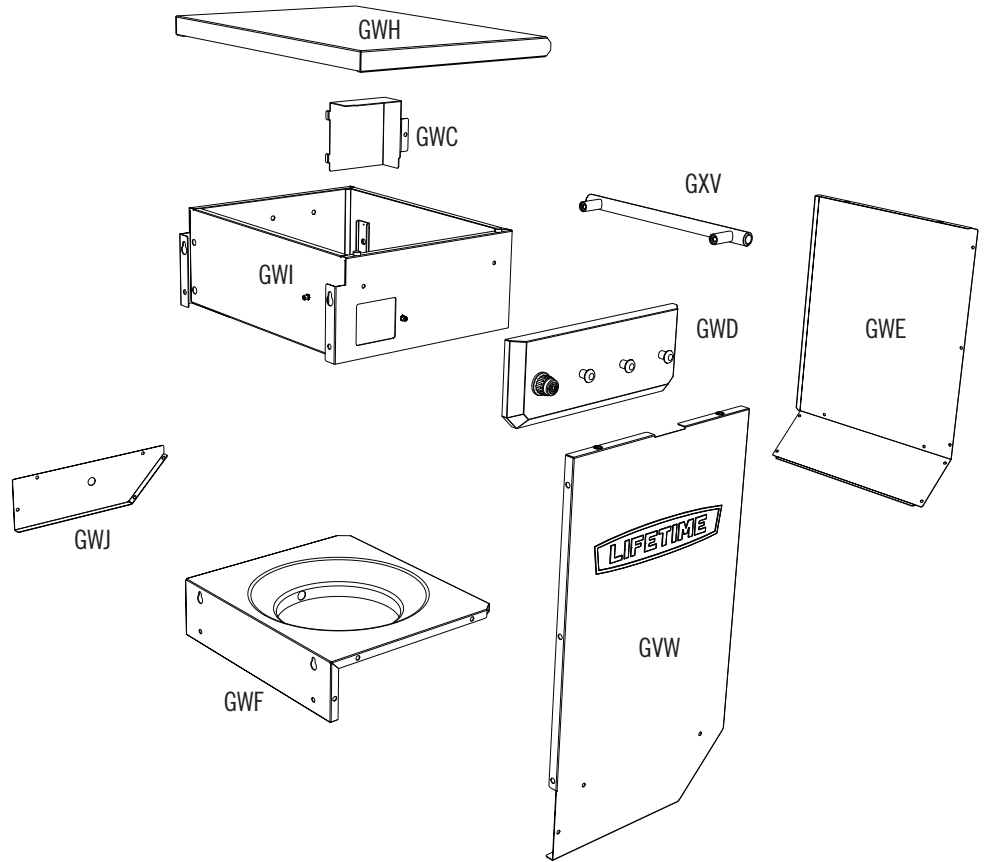


# 2

## GRILL AND STORAGE BOX ASSEMBLY

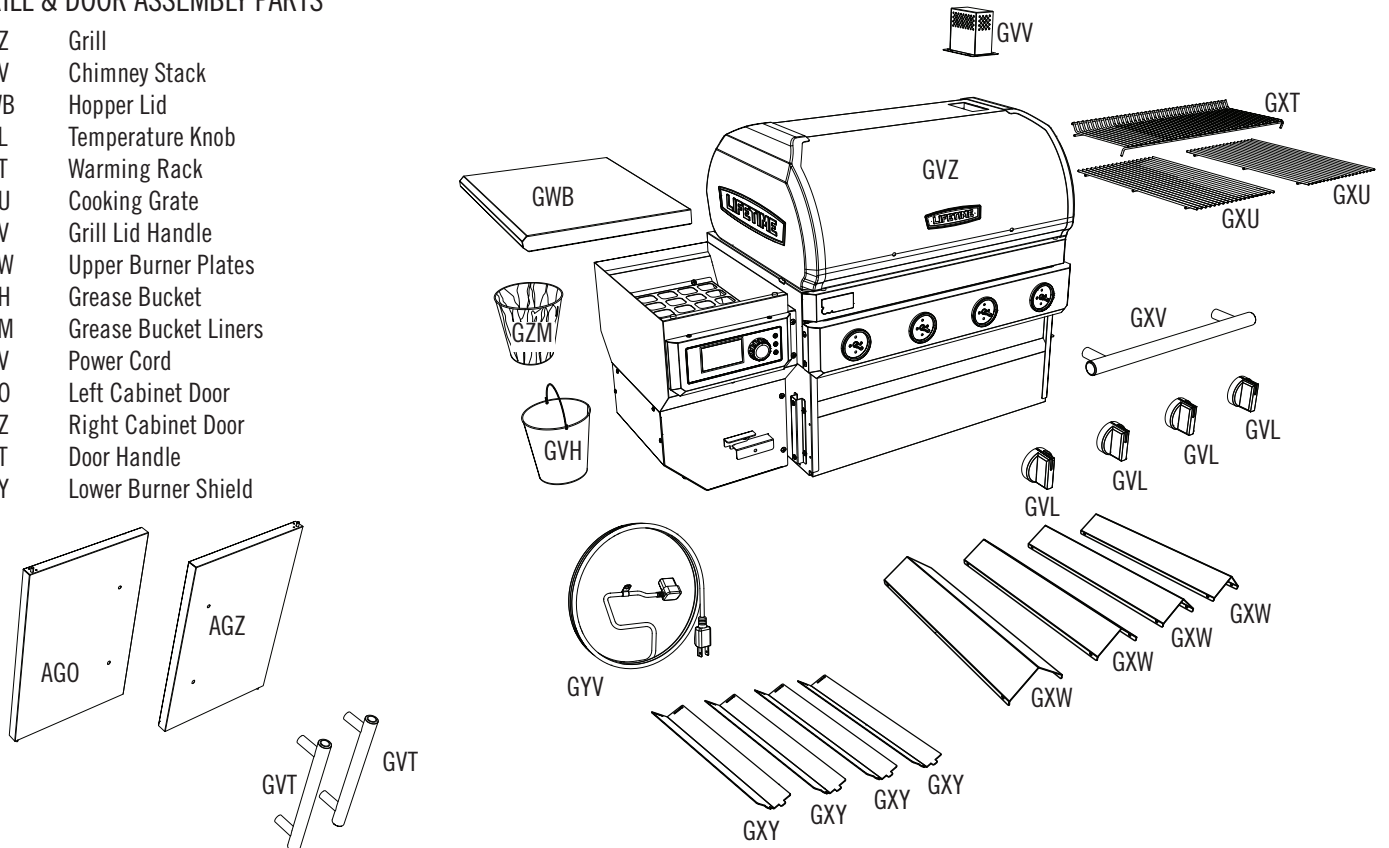
### PROPANE/STORAGE BOX ASSEMBLY PARTS

- GWV Front Storage Panel
- GWF Storage Base
- GWI Storage Box
- GWE Right Propane Cover Panel
- GWJ Rear Propane Cover Panel
- GWD Ignitor Cover Panel
- GWC Ignitor Box Cover
- GWH Storage Box Lid
- GXV Storage Box Handle



### GRILL & DOOR ASSEMBLY PARTS

- GVZ Grill
- GVV Chimney Stack
- GWB Hopper Lid
- GVL Temperature Knob
- GXT Warming Rack
- GXU Cooking Grate
- GXV Grill Lid Handle
- GXW Upper Burner Plates
- GVH Grease Bucket
- GZM Grease Bucket Liners
- GYV Power Cord
- AGO Left Cabinet Door
- AGZ Right Cabinet Door
- GVT Door Handle
- GXY Lower Burner Shield



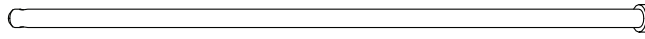
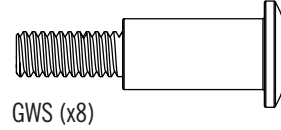
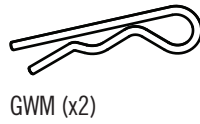
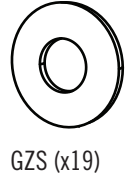
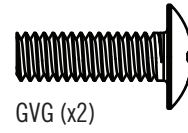
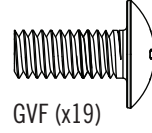
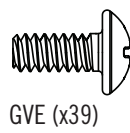
# 2

## GRILL AND STORAGE BOX ASSEMBLY

### SECTION 2 BLISTER PACK HARDWARE (HAE)



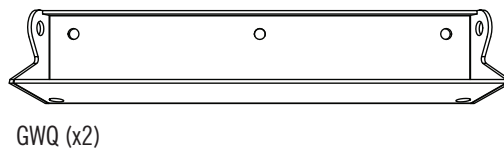
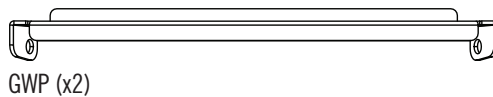
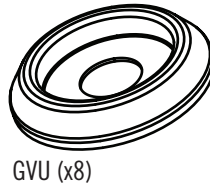
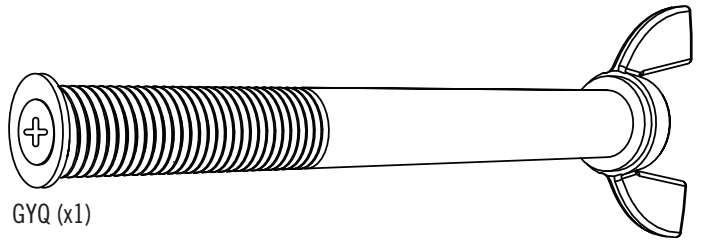
- GVE #8-32 x 1/2" Truss Screw
- GVF 1/4"-20 x 1/2" Truss Screw
- GVG 1/4"-20 x .8" Truss Screw
- GWS M6 x 1 mm x 10 mm Shoulder Bolt
- GWM Hinge Pin Cotter Key
- GWA Hinge Pin
- GZS 1/4" Flat Washer
- GZT 1/4" Lock Washer
- GZO AA Battery



### SECTION 2 HARDWARE BOX (GZZ)



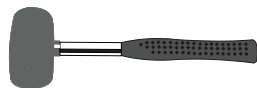
- GVU Handle Bezel
- GVX Grease Bucket Hook
- GYQ Winged Locking Screw
- GWP Upper Hinge
- GWQ Lower Hinge



### TOOLS REQUIRED

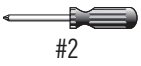


#2 (Phillips)

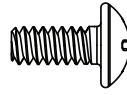


## SECTION 2 (CONTINUED)

TOOLS AND HARDWARE REQUIRED



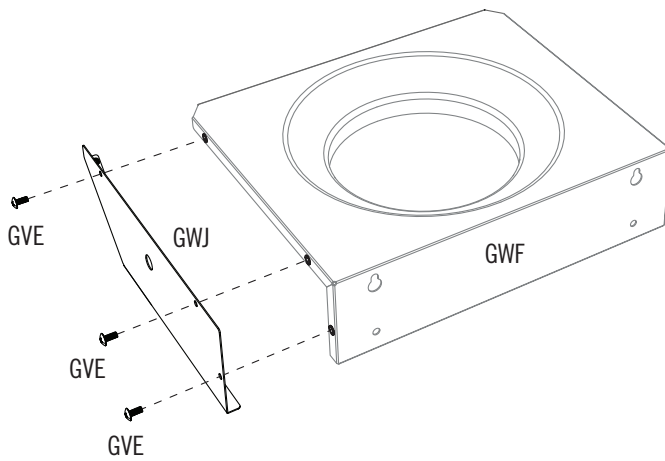
#2



GVE (x15)

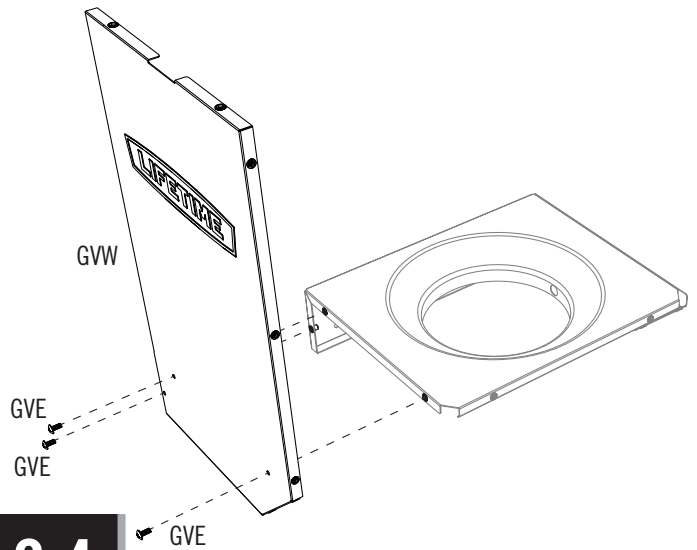
### 2.1

- Attach the **rear panel (GWJ)** to the **propane compartment base (GWF)** using three (3) screws (**GVE**).



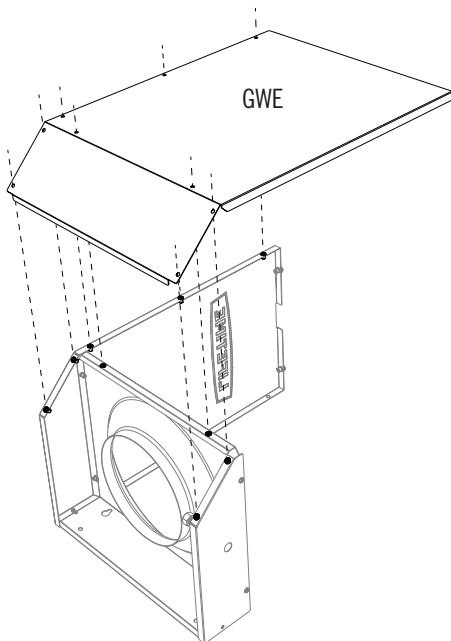
### 2.2

- Attach the **front panel (GVW)** to the base using three (3) screws (**GVE**).



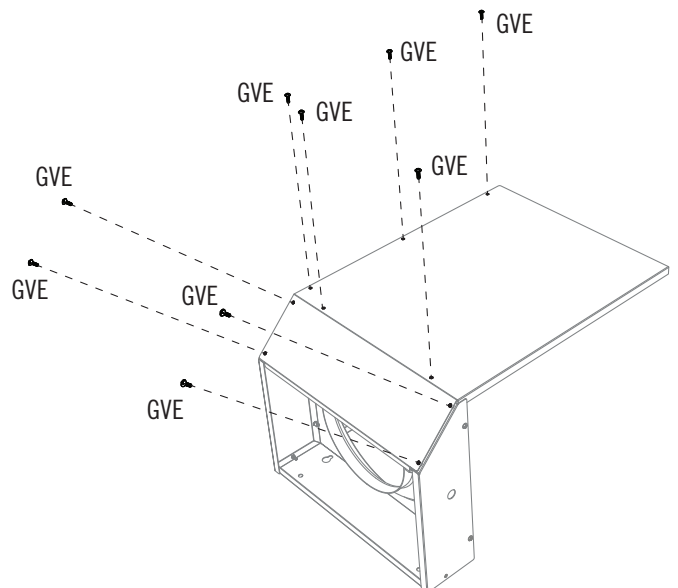
### 2.3

- Align the holes in the **angled side panel (GWE)** with those in the rear panel and base as shown.



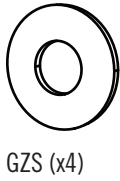
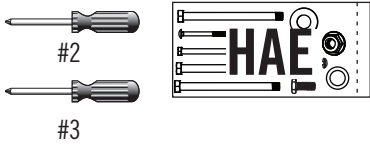
### 2.4

- Secure the angled side panel to the base using the hardware indicated.

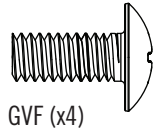


## SECTION 2 (CONTINUED)

TOOLS AND HARDWARE REQUIRED



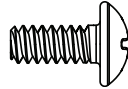
GZS (x4)



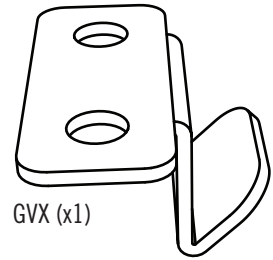
GVF (x4)



GZT (x4)



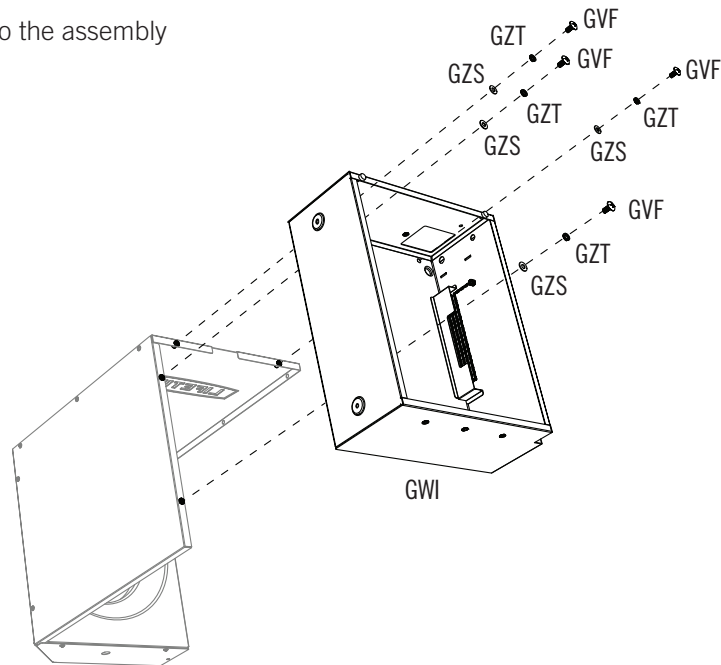
GVE (x2)



GVX (x1)

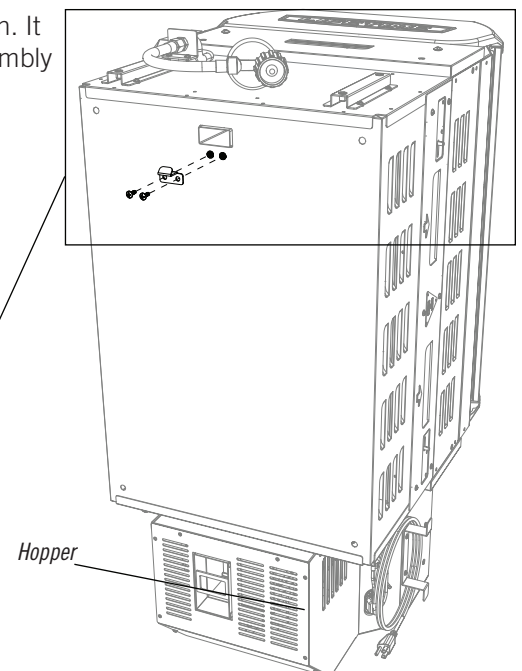
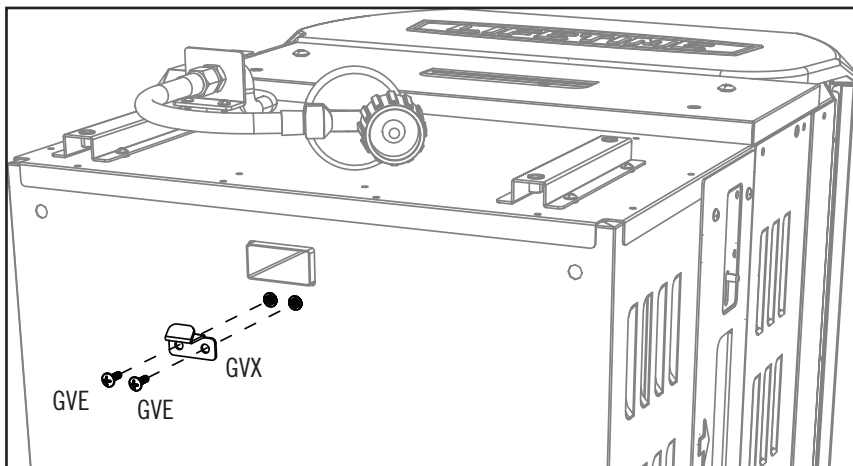
### 2.5

- Secure the **storage box (GZI)** to the assembly using the hardware indicated.



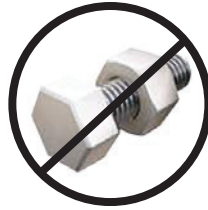
### 2.6

- Gently set the **grill/hopper assembly (GVZ)** on the hopper end as shown. It should be on a non-abrasive surface. While two adults hold the assembly upright, secure the **grease bucket hook (GVX)** to the bottom using two (2) screws (GVE).



## ▶ SECTION 2 (CONTINUED)

TOOLS AND HARDWARE REQUIRED



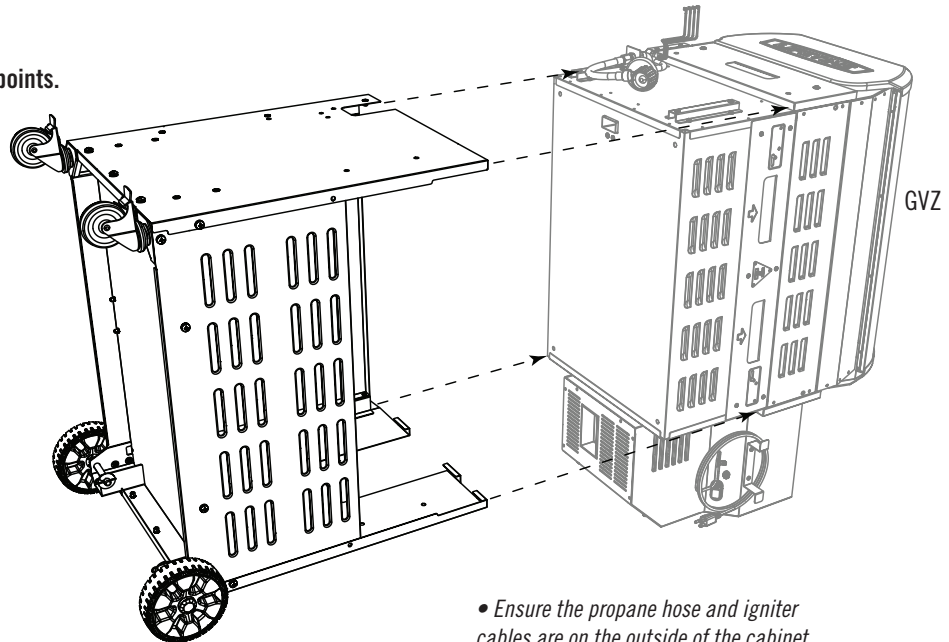
# 2.7



- While one adult holds the grill/hopper assembly upright, have two other adults, one on each side of the cabinet assembly, gently slide the cabinet into the grill/hopper assembly as shown. **Ensure the propane hose and igniter cables are on the outside of the cabinet.**

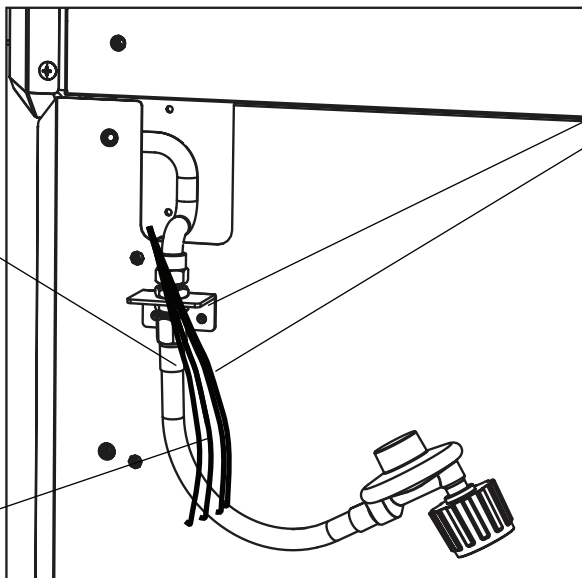


**WARNING:** Watch for pinch points.

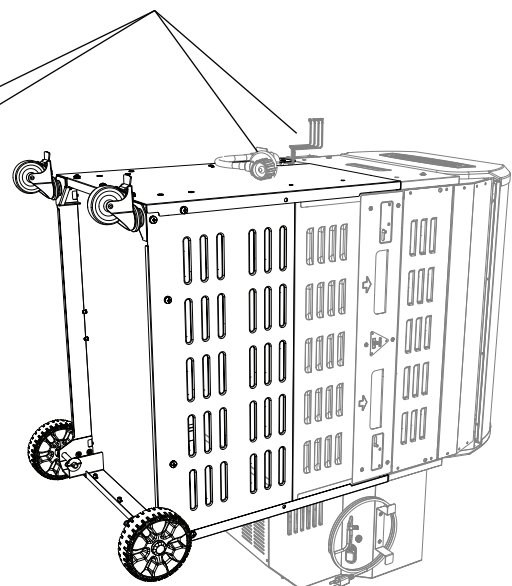


Regulator hose

Igniter cables



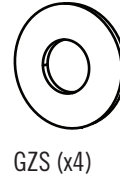
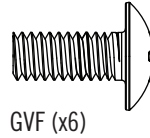
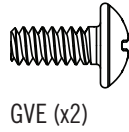
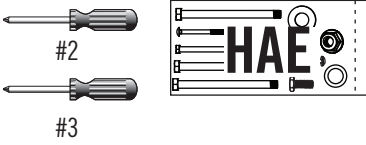
- Ensure the propane hose and igniter cables are on the outside of the cabinet.





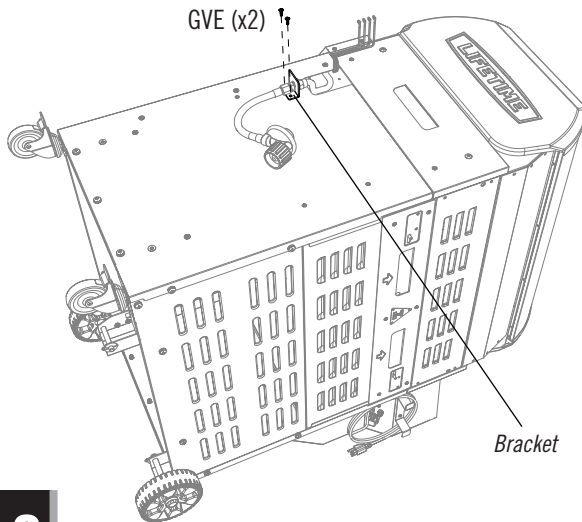
## SECTION 2 (CONTINUED)

TOOLS AND HARDWARE REQUIRED



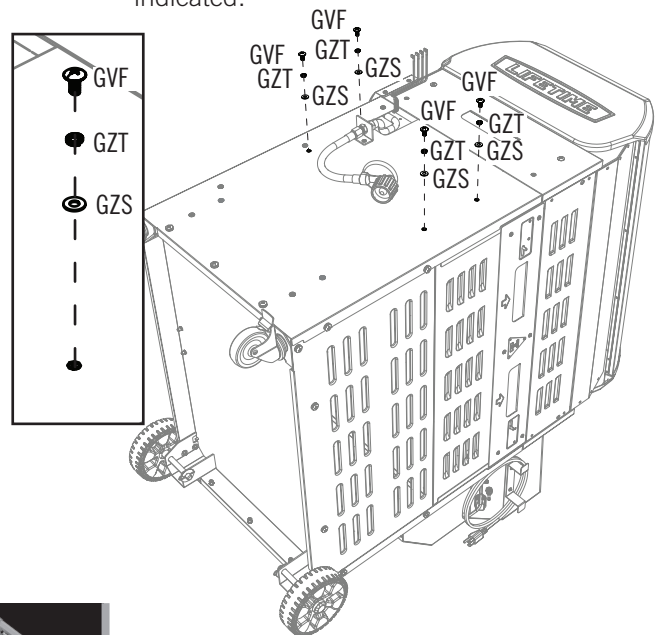
### 2.8

- Adjust the regulator hose so the holes in the bracket align with those in the cabinet. Secure the bracket to the cabinet with two (2) screws (GVE). Secure the grill to the cabinet with hardware indicated.



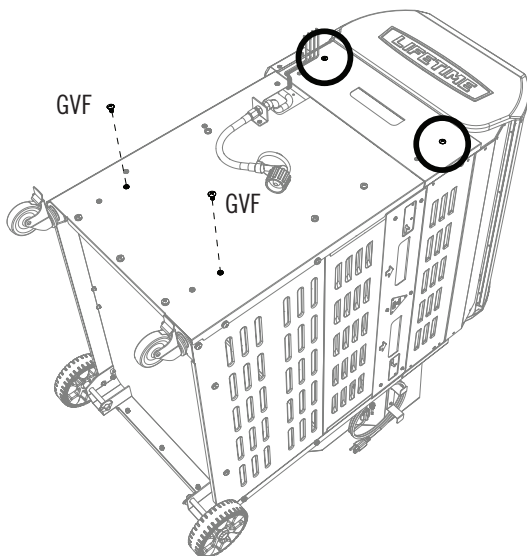
### 2.9

- Secure the cabinet to the grill with hardware indicated.

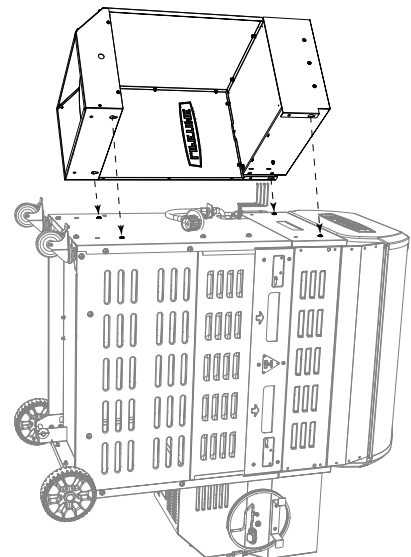
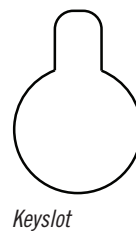


### 2.10

- Lightly insert two (2) screws (GVF) into the holes indicated. Leave about an 1/8" clearance. Loosen the two top screws so there is about an 1/8" clearance.

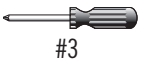


The four keyslots in the propane compartment align with the four screws from step 2.10.

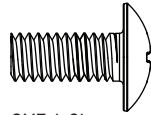


## SECTION 2 (CONTINUED)

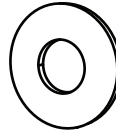
TOOLS AND HARDWARE REQUIRED



#3



GVF (x2)



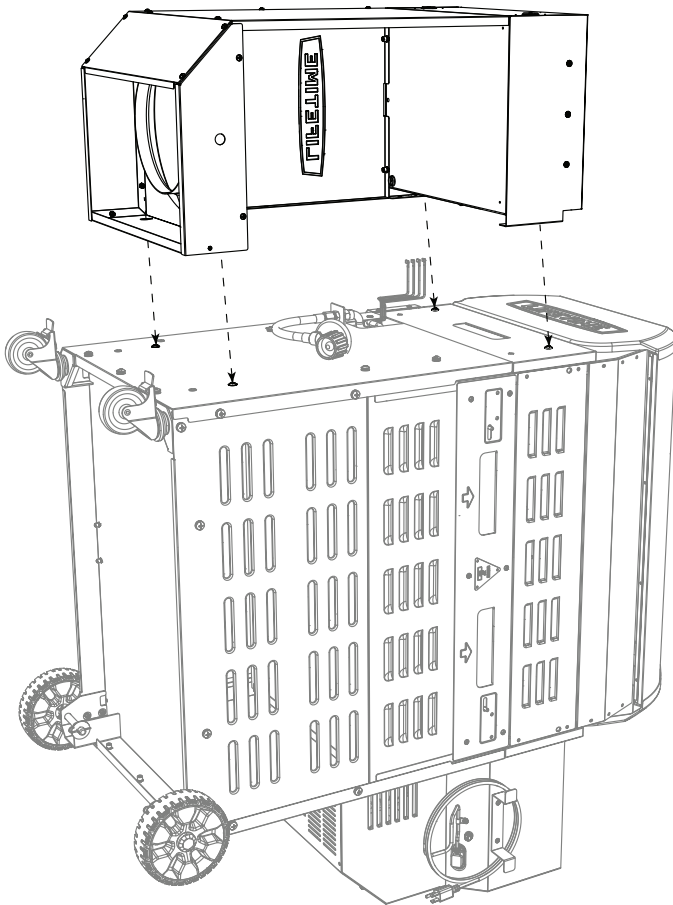
GZS (x2)



GZT (x2)

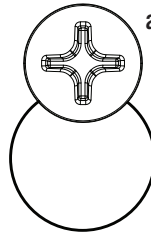
### 2.11

- Set the keyslots over the four screws indicated.

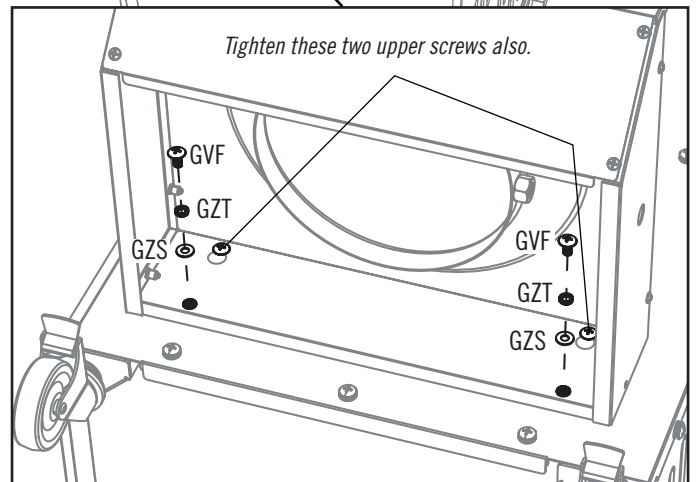
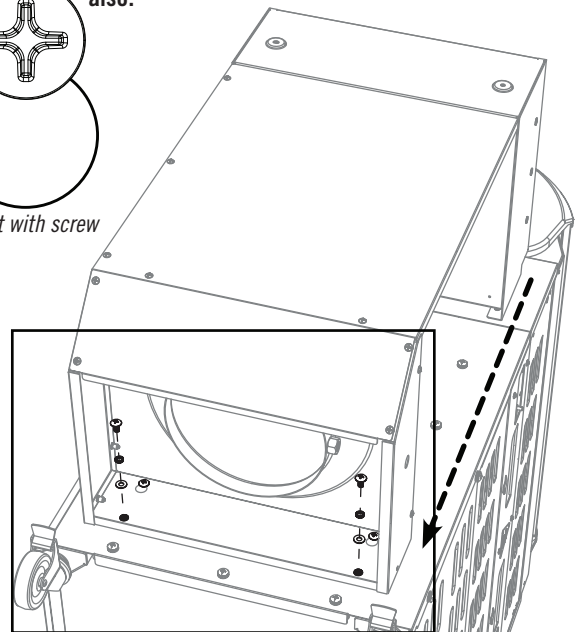


### 2.12

- Slide the propane compartment towards the wheels to help lock it in place. Secure with the hardware indicated. **Tighten the upper two screws also.**

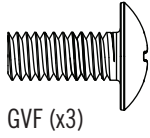
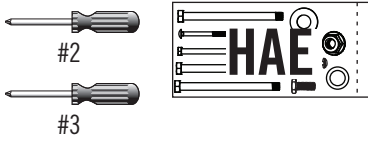


Keyslot with screw

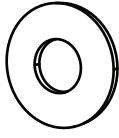


## SECTION 2 (CONTINUED)

### TOOLS AND HARDWARE REQUIRED



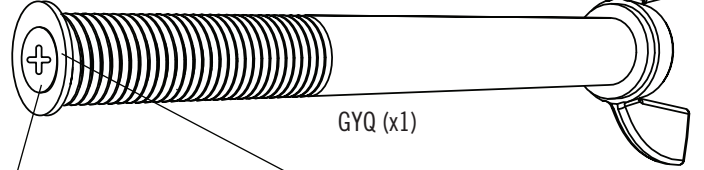
GVF (x3)



GZS (x3)



GZT (x3)

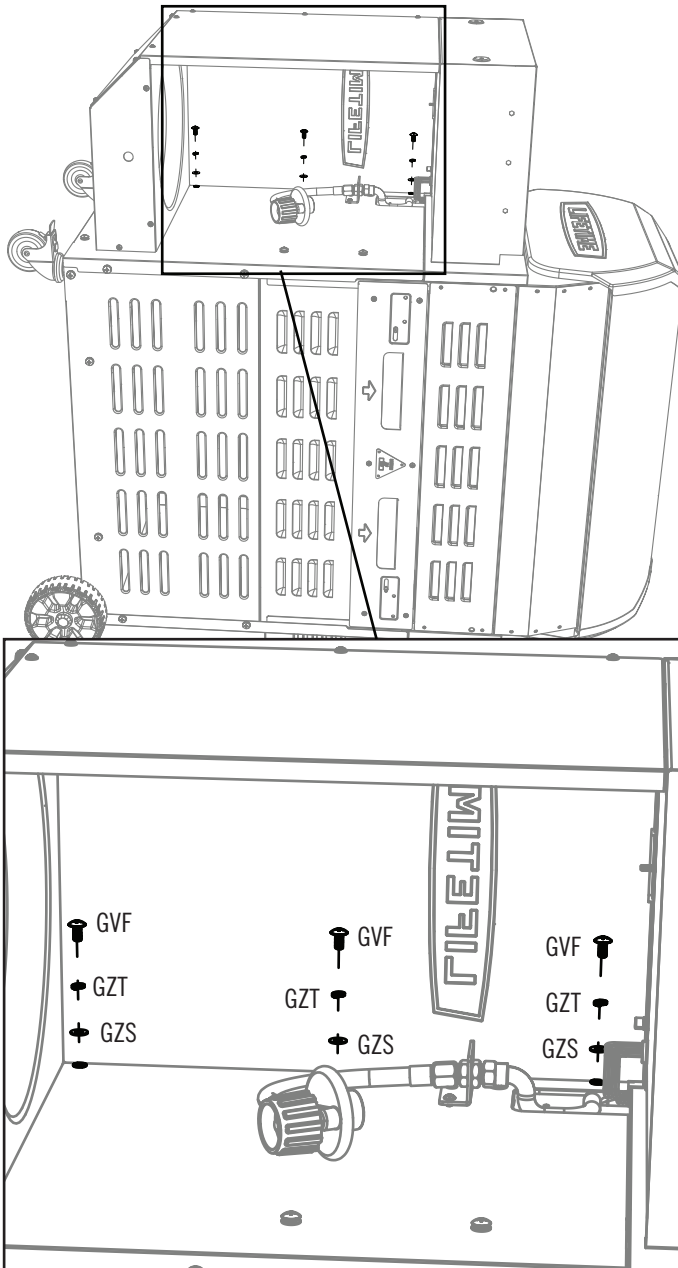


Screw

Washer

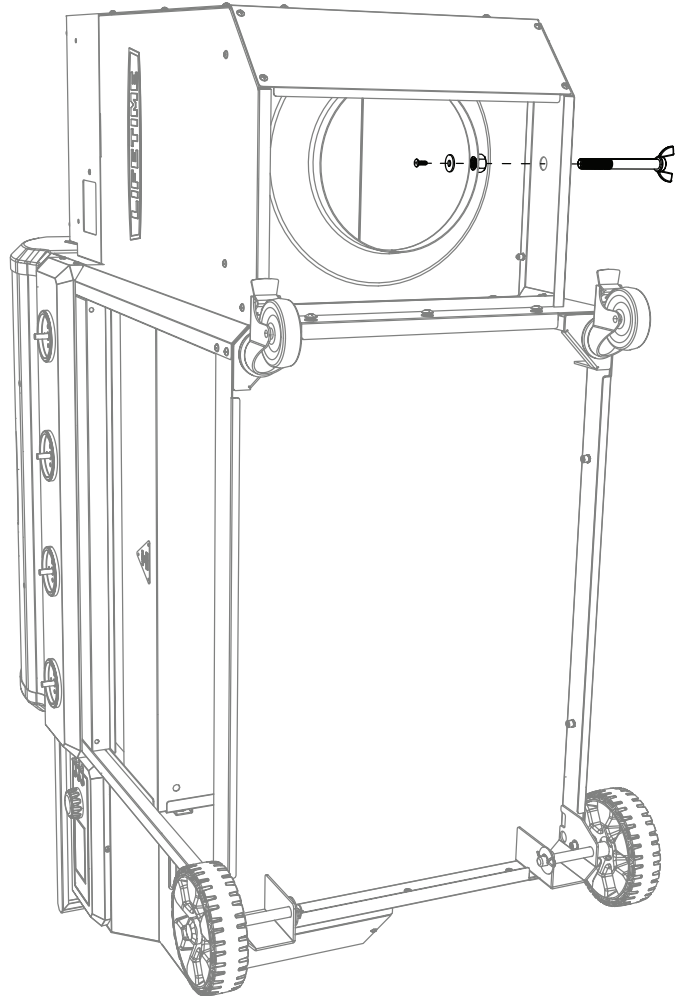
## 2.13

- Secure the front panel to the cabinet using the hardware indicated.



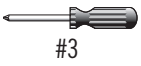
## 2.14

- Remove the small screw and washer from the **wing bolt (GYQ)**. Insert the wing bolt as far as it will go. Once the wing bolt is in, re-insert the screw and washer. **Tighten securely.** Now unscrew the wing bolt until it stops.

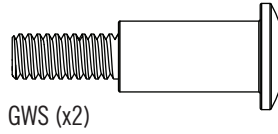


## ► SECTION 2 (CONTINUED)

TOOLS AND HARDWARE REQUIRED



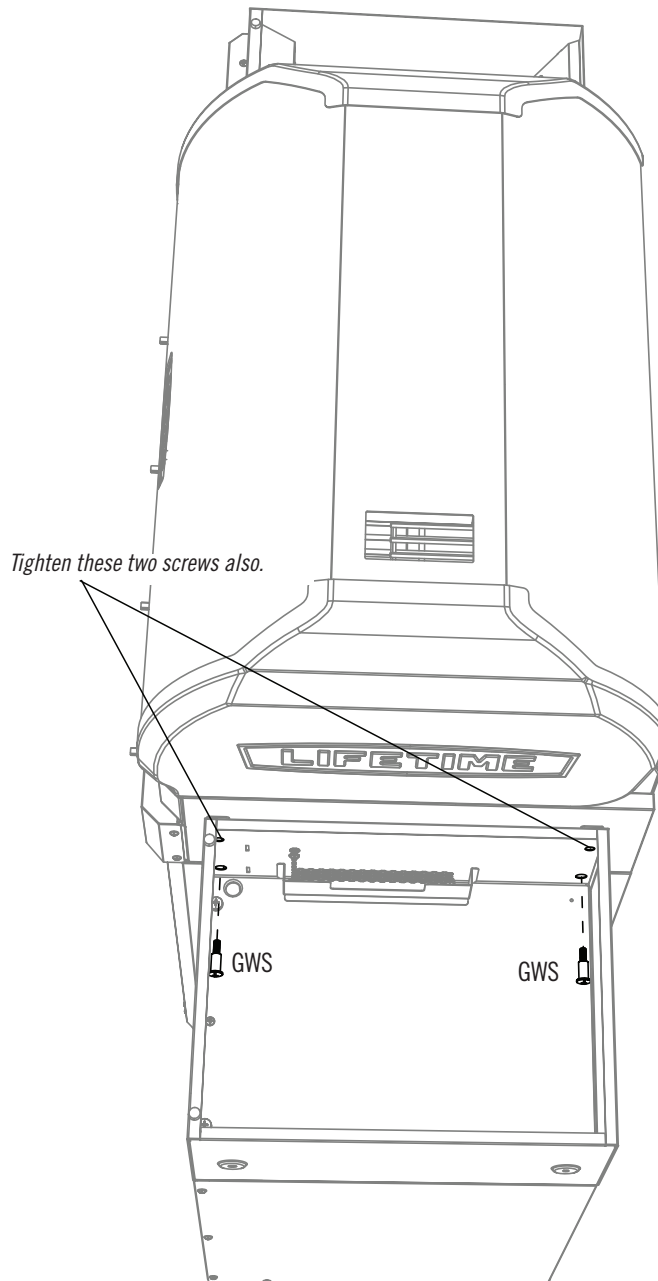
#3



GWS (x2)

### 2.15

- With the casters still locked, set the assembly back on its wheels. Secure the storage box to the grill using two (2) **shoulder bolts (GWS)** near each end of the box. **Tighten the two upper screws also.**

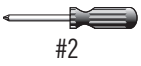




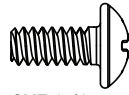


## SECTION 2 (CONTINUED)

TOOLS AND HARDWARE REQUIRED



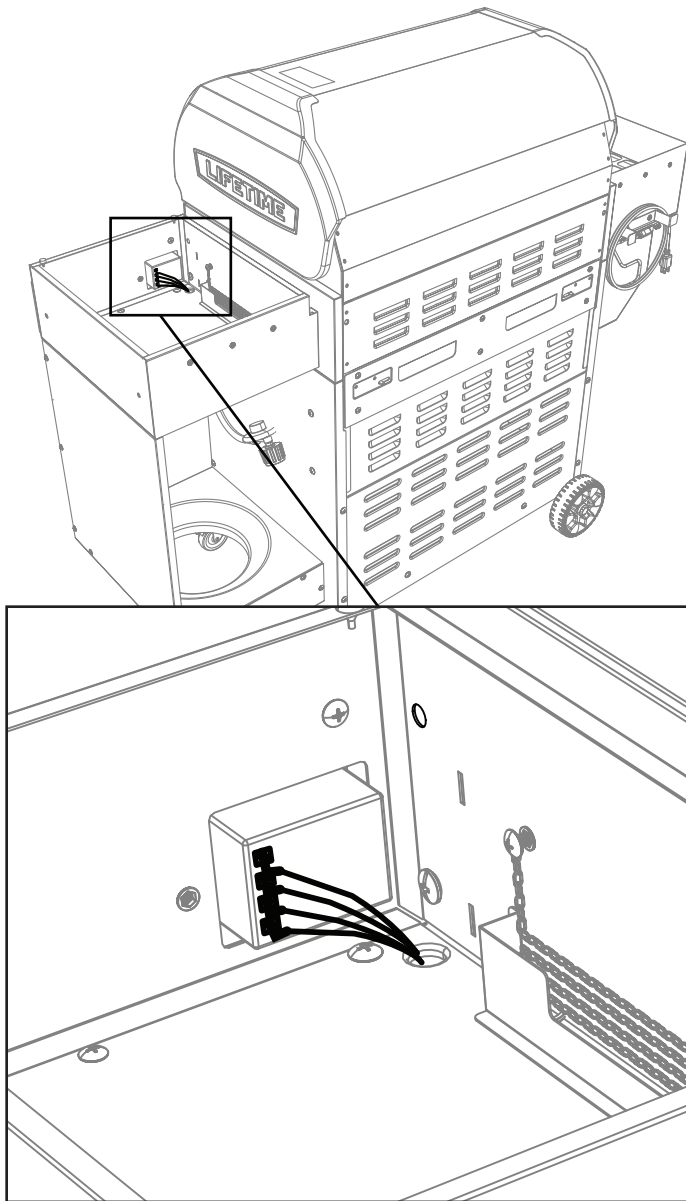
#2



GVE (x1)

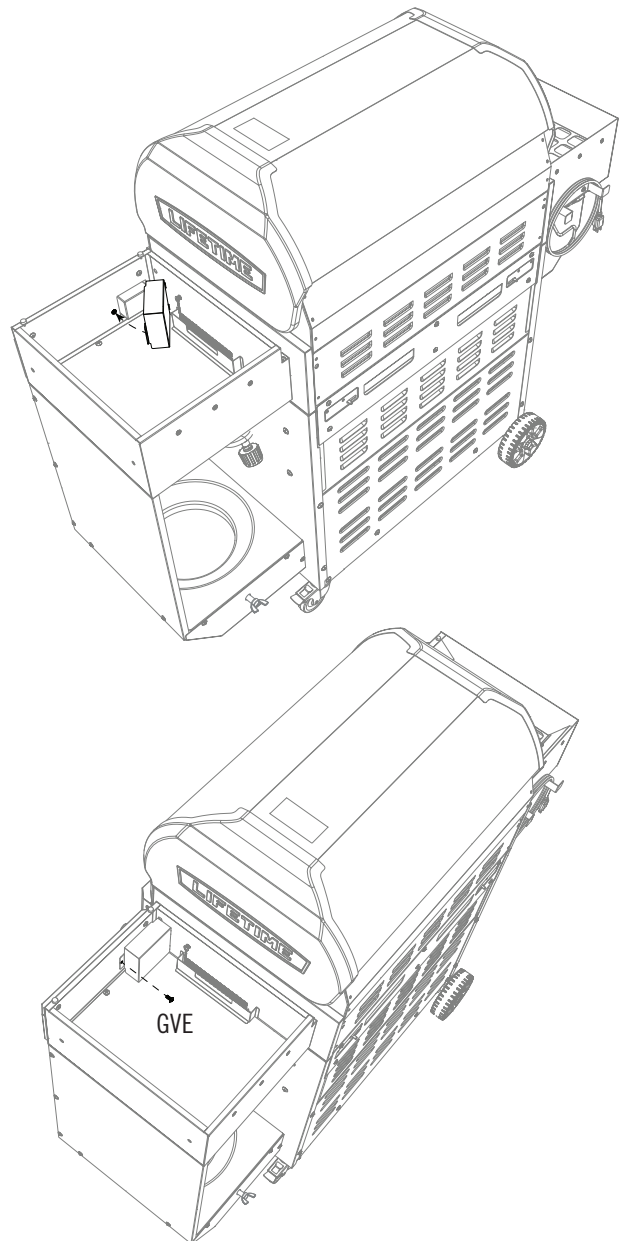
### 2.19

- Thread the igniter cables up through the hole in the storage box. Attach the cables to the igniter box. **It doesn't matter the order.**



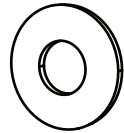
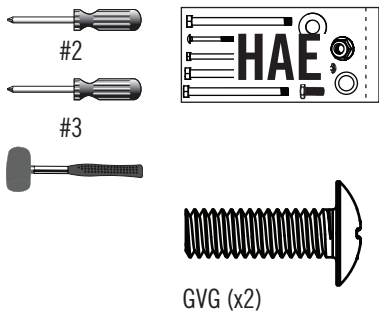
### 2.20

- Slide the tabs on the side of the **igniter box cover (GWC)** into the slots in the storage box. Secure the igniter box cover to the storage box using one (1) **screw (GVE)**.



## SECTION 2 (CONTINUED)

### TOOLS AND HARDWARE REQUIRED



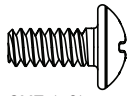
GZS (x2)



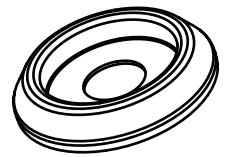
GZT (x2)



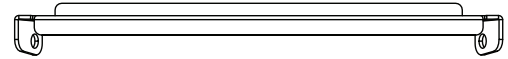
GVG (x2)



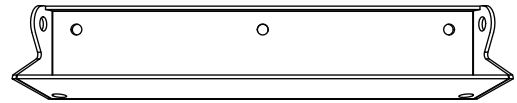
GVE (x6)



GVU (x2)



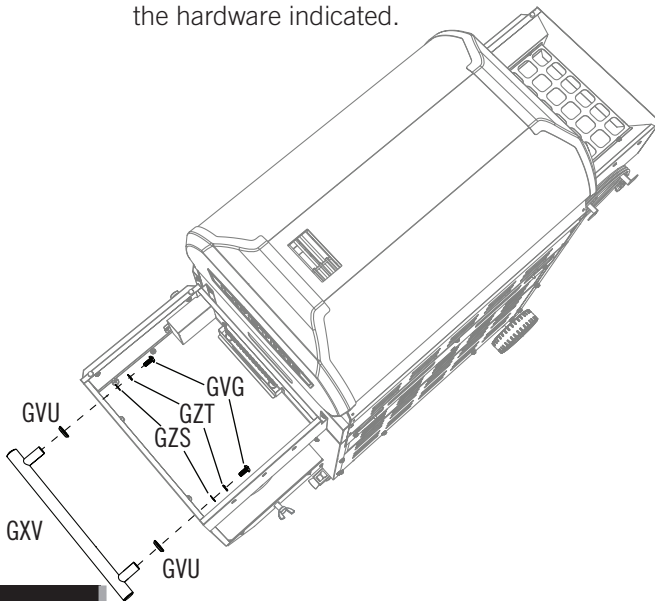
GWP (x1)



GWQ (x1)

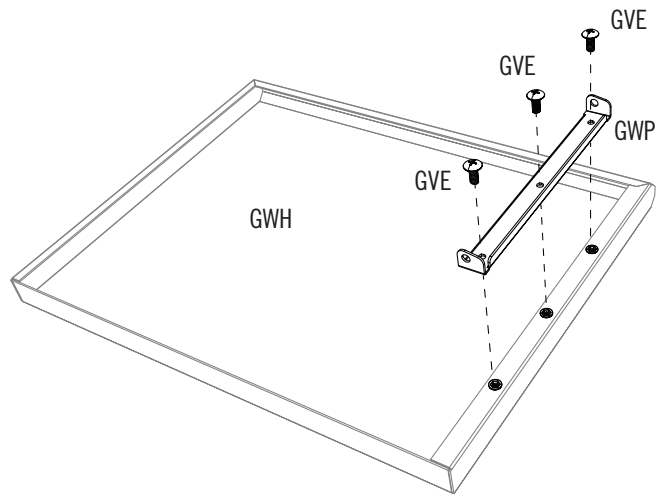
## 2.21

- Secure the **storage box handle (GXV)** to the storage box using two (2) **handle bezels (GVU)** and the hardware indicated.



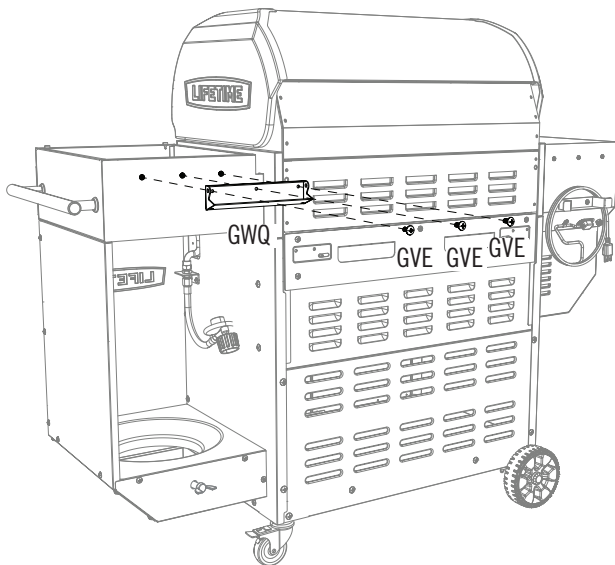
## 2.22

- Secure an **upper hinge (GWP)** to the **storage box lid (GWH)** using three (3) **screws (GVE)**.



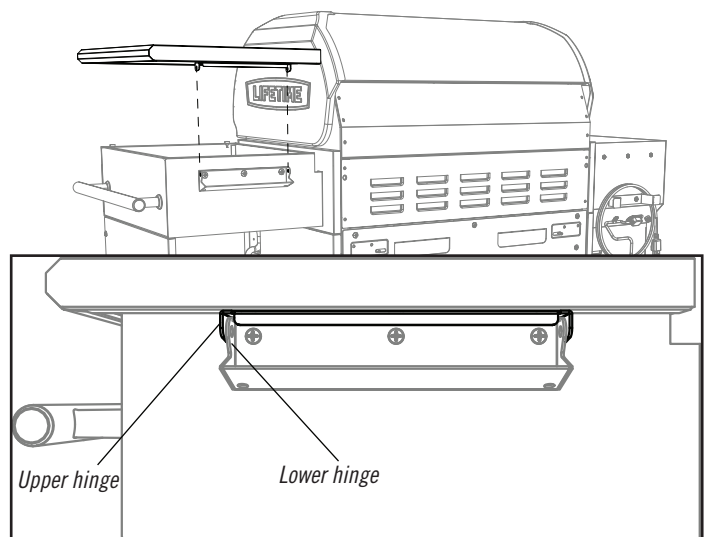
## 2.23

- Secure a **lower hinge (GWQ)** to the storage box using three (3) **screws (GVE)**.



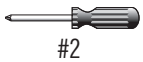
## 2.24

- Set the upper hinge on the storage box lid down around the outside of the lower hinge on the storage box and align the holes in the hinges.



## SECTION 2 (CONTINUED)

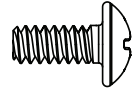
TOOLS AND HARDWARE REQUIRED



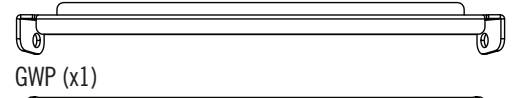
#2



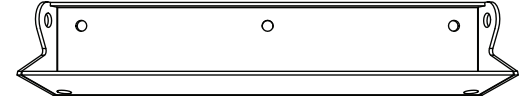
GWM (x1)



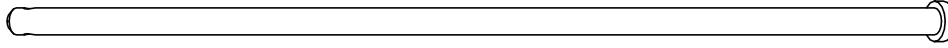
GVE (x6)



GWP (x1)



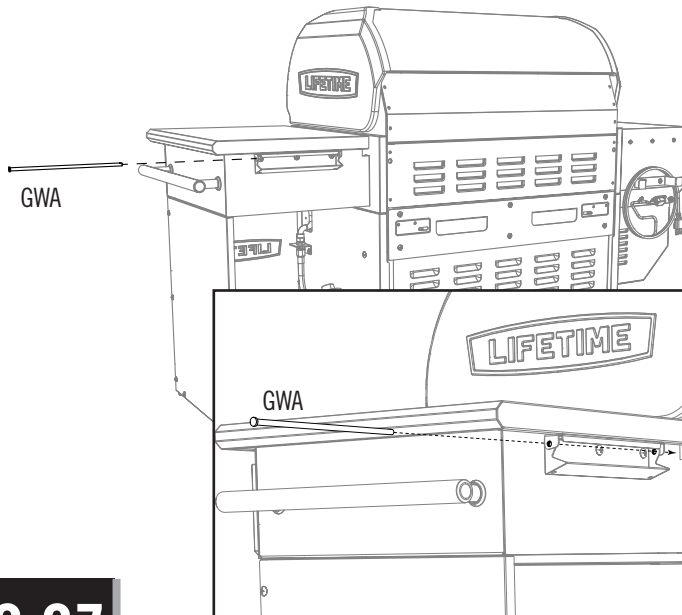
GWQ (x1)



GWA (x1)

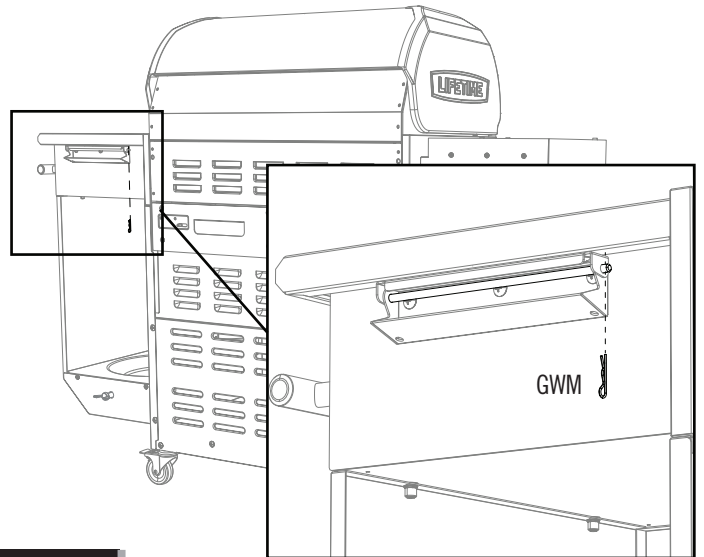
### 2.25

- Insert a **hinge pin (GWA)** through the hinge as shown.



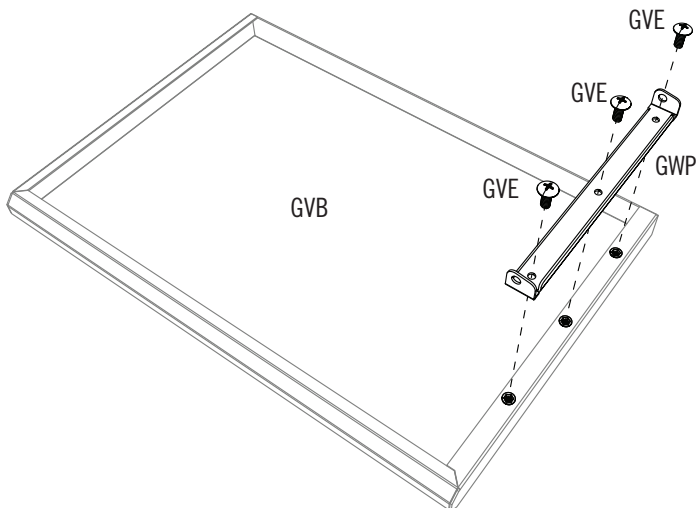
### 2.26

- Insert one (1) **cotter key (GWM)** through the hinge pin to secure the lid to the storage box. **You may want to open the lid when performing this step.**



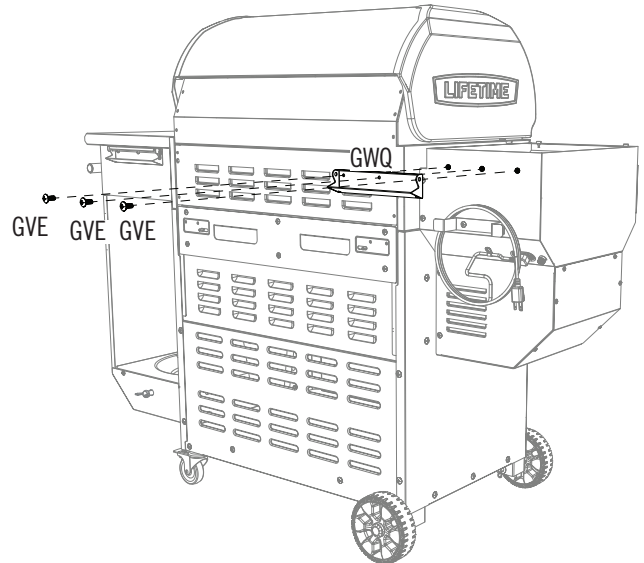
### 2.27

- Secure an **upper hinge (GWP)** to the **hopper lid (GVB)** using three (3) **screws (GVE)**.



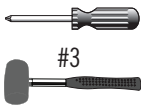
### 2.28

- Secure a **lower hinge (GWQ)** to the hopper using three (3) **screws (GVE)**.



## SECTION 2 (CONTINUED)

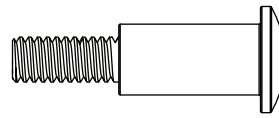
### TOOLS AND HARDWARE REQUIRED



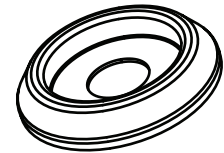
#3



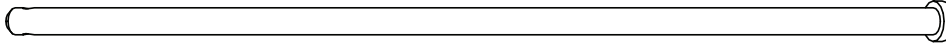
GWM (x1)



GWS (x4)



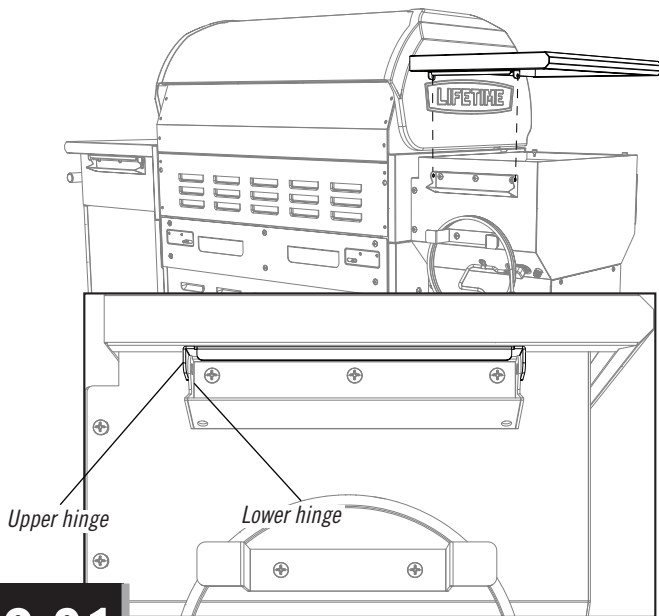
GVU (x4)



GWA (x1)

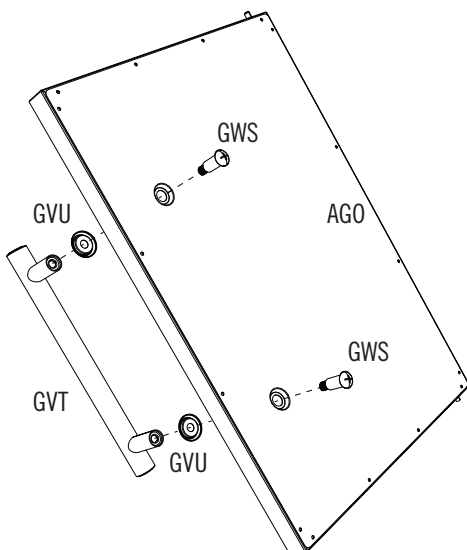
## 2.29

- Set the upper hinge down around the outside of the lower hinge and align the holes.



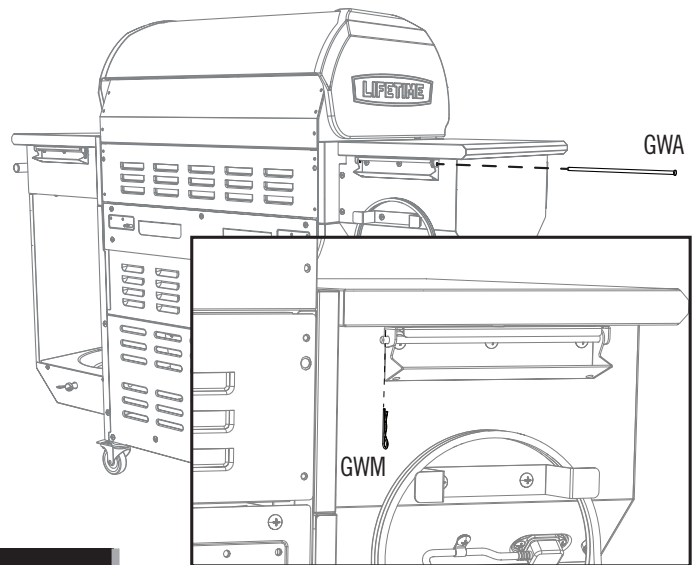
## 2.31

- Secure a handle (GVT) to the left door (AGO) using two (2) shoulder bolts (GWS) and two (2) handle bezels (GVU) as shown.



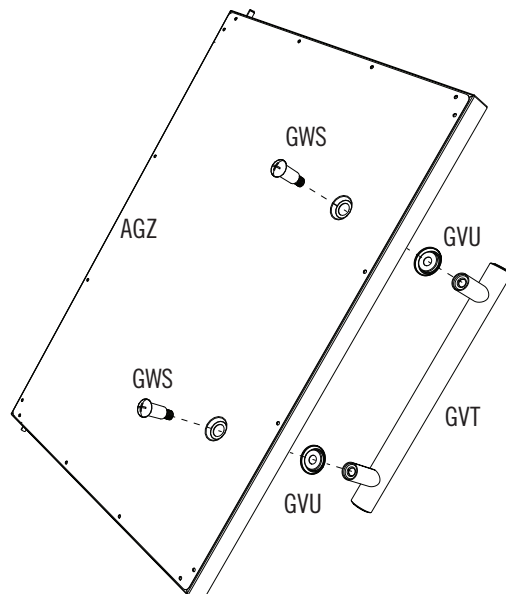
## 2.30

- Insert a hinge pin (GWA) through the hinge as shown. Insert a cotter pin (GWM) through the hinge pin as shown to lock it in place.



## 2.32

- Repeat the last step for the right door (AGZ).



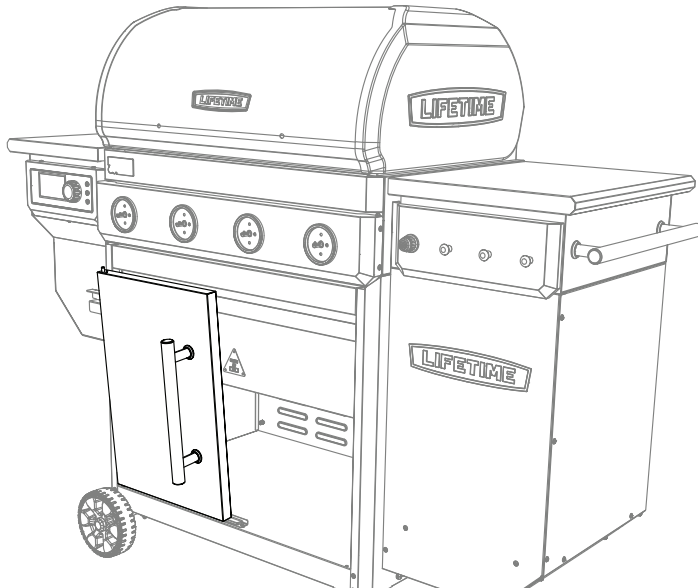
## ► SECTION 2 (CONTINUED)

TOOLS AND HARDWARE REQUIRED



### 2.33

- Insert the bottom hinge pin of the left door into the hole in the bottom left corner of the cabinet. Push down the top hinge pin and push in the door to allow the pin to pop up into the hole in the top right corner of the cabinet.

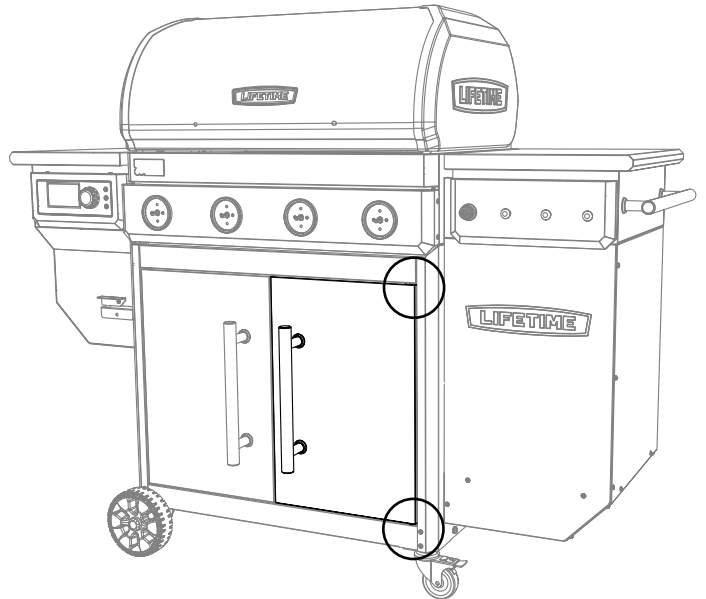


*Top hinge pin*



### 2.34

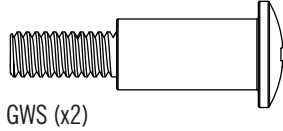
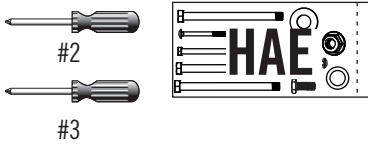
- Attach the right door in a similar manner.





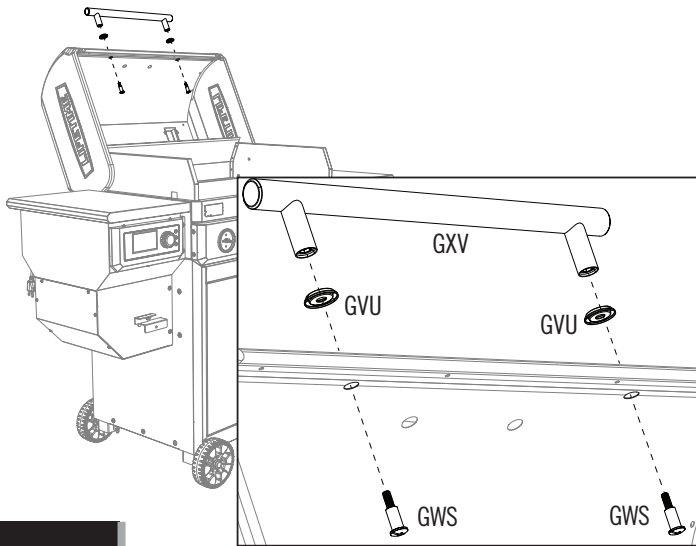
## SECTION 2 (CONTINUED)

### TOOLS AND HARDWARE REQUIRED



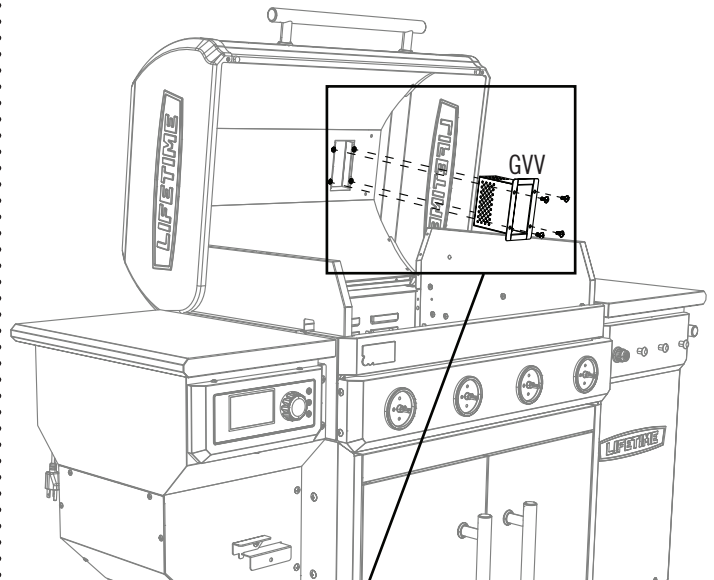
### 2.35

- Open the grill lid and secure a **lid handle (GXV)** to the lid using two (2) **shoulder bolts (GWS)** and two (2) **handle bezels (GVU)** as shown.



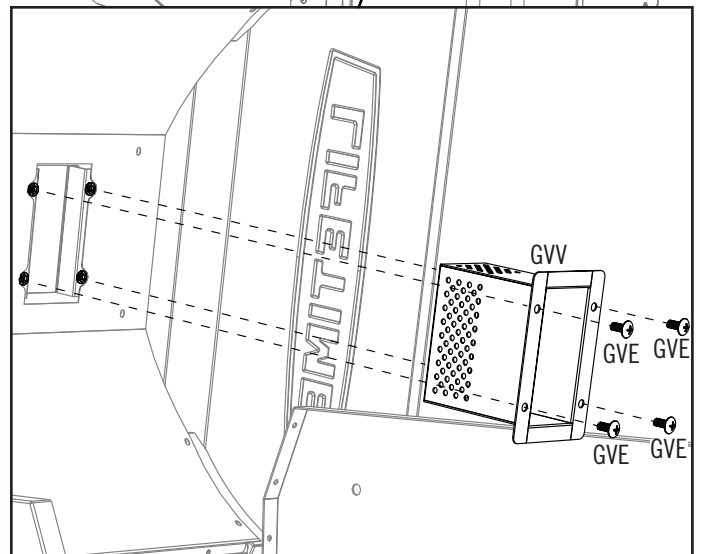
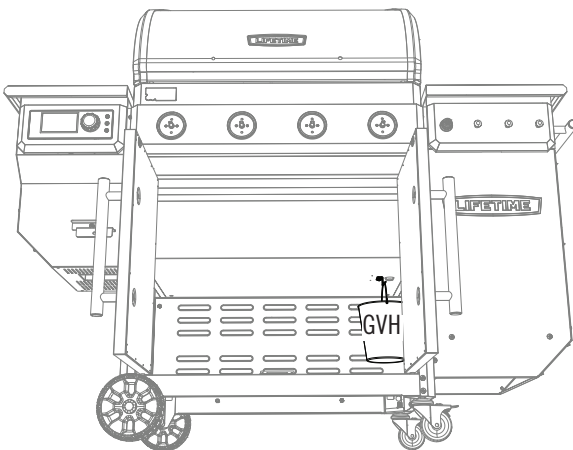
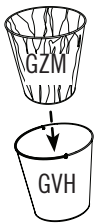
### 2.36

- Secure the **chimney stack (GVV)** to the lid using four (4) **screws (GVE)** as shown.



### 2.37

- Insert the **grease bucket liner (GZM)** into the **grease bucket (GVH)** and hang the bucket onto the hook.

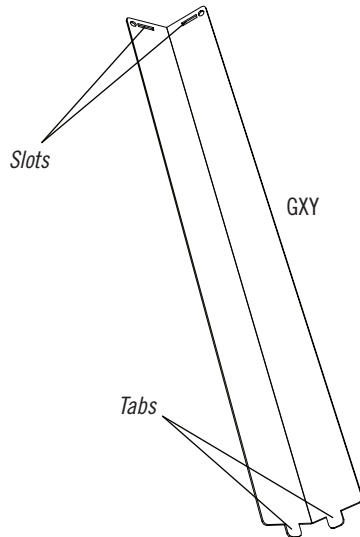


## SECTION 2 (CONTINUED)

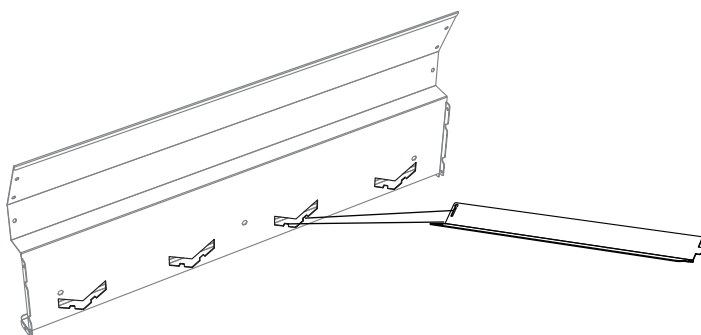
TOOLS AND HARDWARE REQUIRED



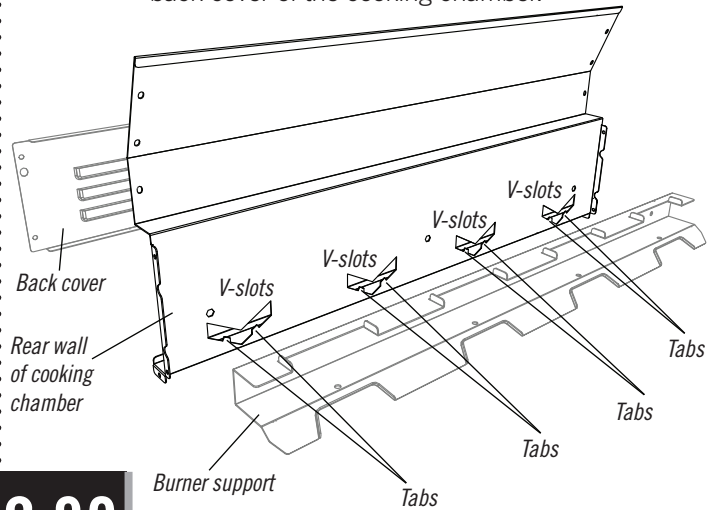
- There are four (4) **lower burner plates (GXY)**. At one end, there are two tabs. This end goes toward the front of the cabinet, just below the burners. The back end has two slots.



- The two slots at the back end of a lower burner shield are set over the two tabs in a v-slot.

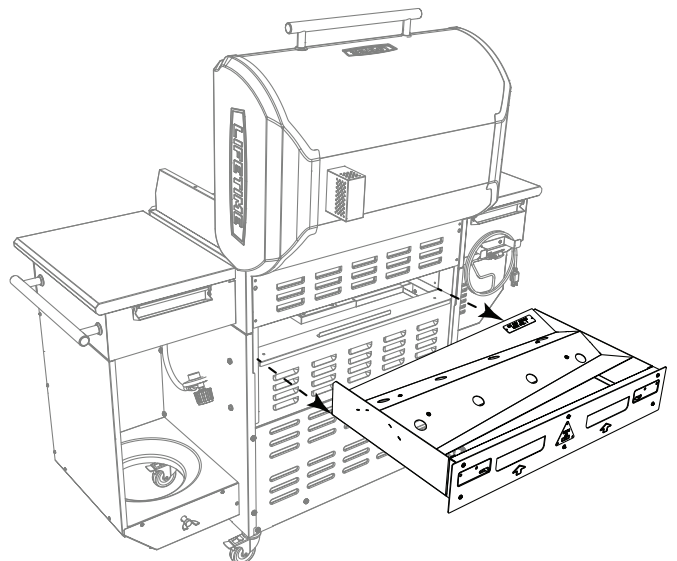


- The rear wall of the cooking chamber has four (4) v-slots with two (2) tabs in each. The v-slots in this rear wall are difficult to see, considering the wall is sandwiched between the burner support and the back cover of the cooking chamber.



**2.38**

- To access this area more easily, remove the drip tray from the rear of the grill.



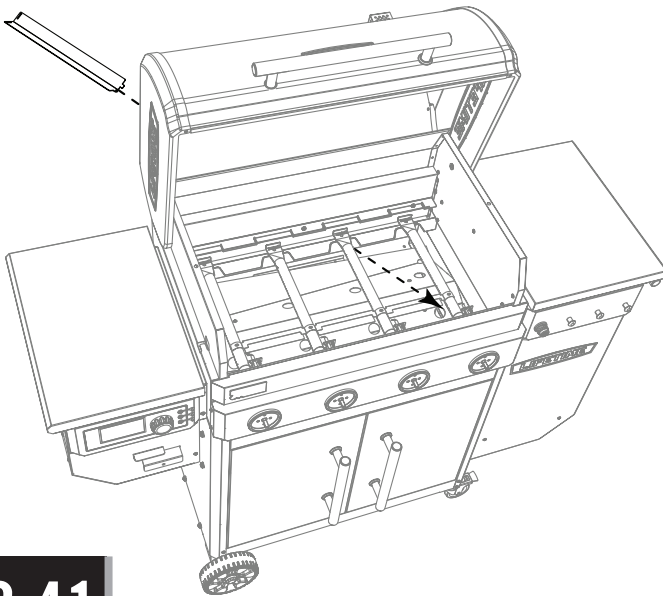
## ▶ SECTION 2 (CONTINUED)

TOOLS AND HARDWARE REQUIRED



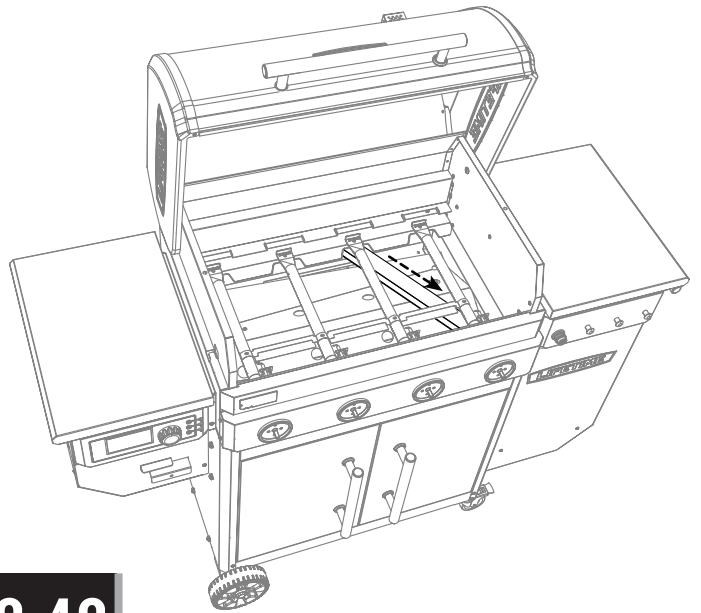
### 2.39

- Open the grill lid and insert one (1) lower burner shield at an angle through the opening in the back as shown.



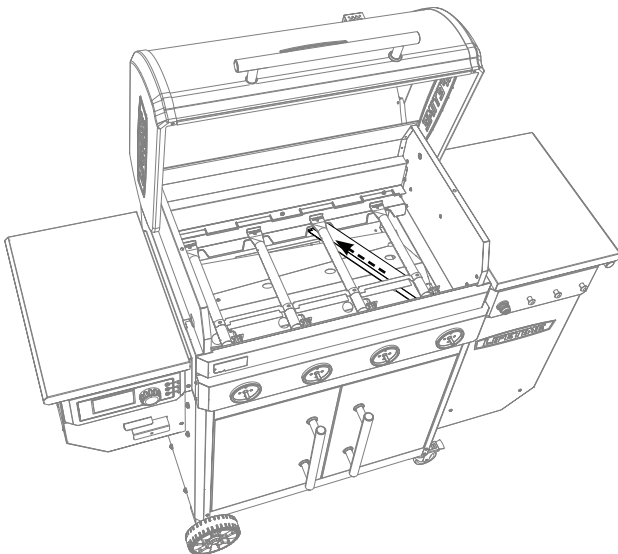
### 2.40

- Bring the burner shield at an angle as far as possible to the front of the cooking chamber.



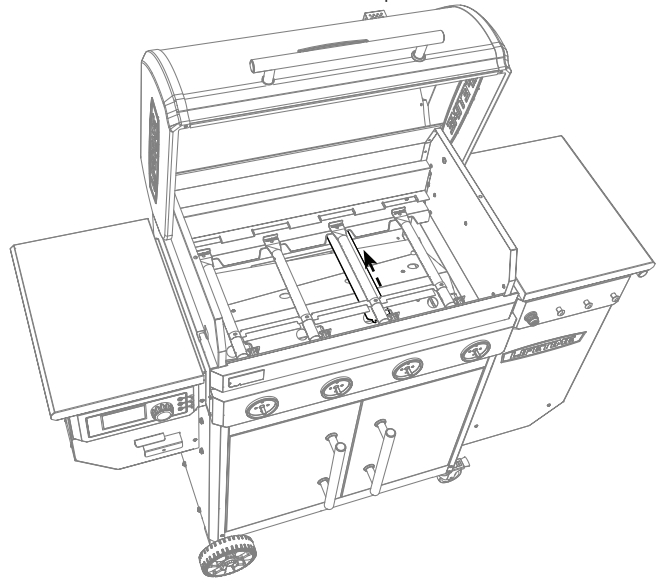
### 2.41

- Position the back end of the lower burner shield up and into a v-slot at the rear of the chamber.



### 2.42

- Straighten the lower burner shield and insert it into the v-slot as far as possible.



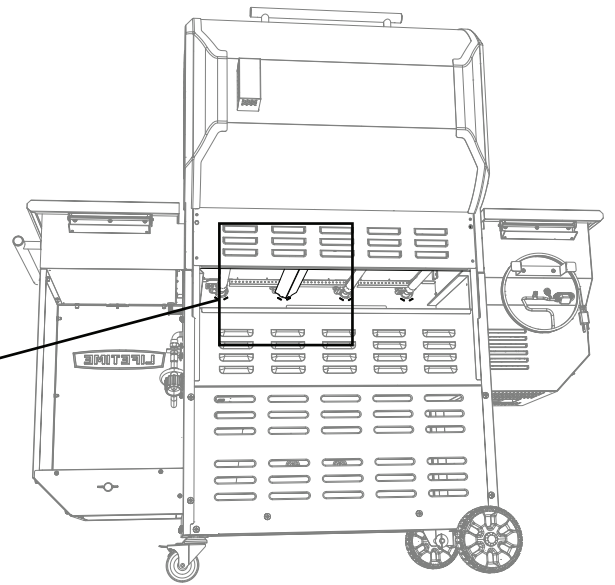
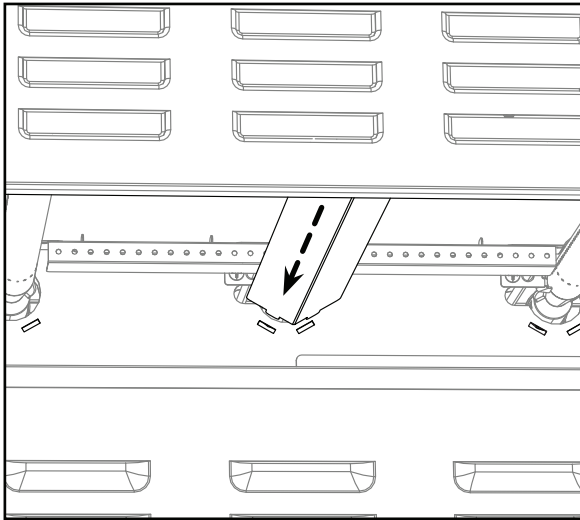
## ▶ SECTION 2 (CONTINUED)

TOOLS AND HARDWARE REQUIRED



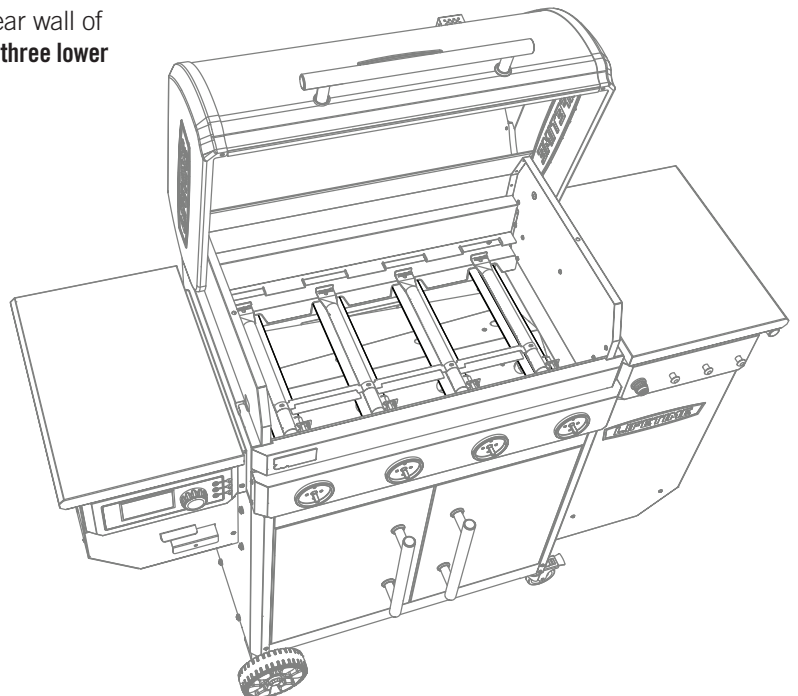
### 2.43

- Now bring the lower burner shield forward and insert the tabs at the front end into the slots in the front wall of the chamber.



### 2.44

- Finally, set the slots in the rear end of the lower burner shield over the two tabs in the v-slot in the rear wall of the chamber. **Repeat the steps for the remaining three lower burner shields. The next three will be easier.**



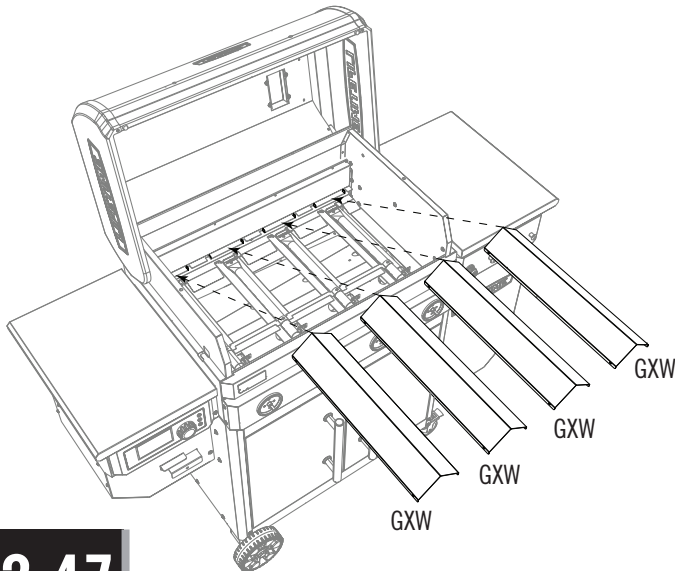
## SECTION 2 (CONTINUED)

TOOLS AND HARDWARE REQUIRED



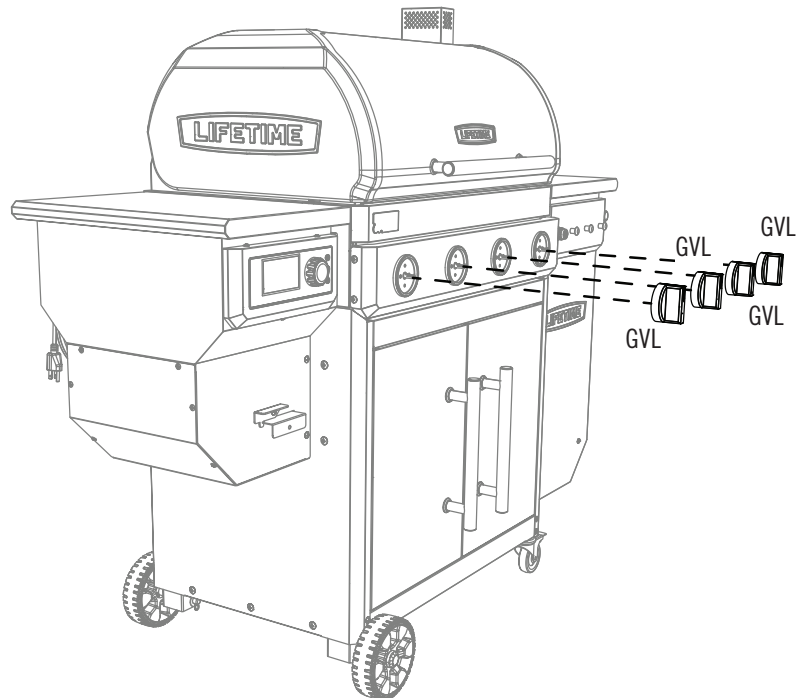
### 2.45

- Set the **burner plates (GXW)** over the tabs on the front and back of the grill box.



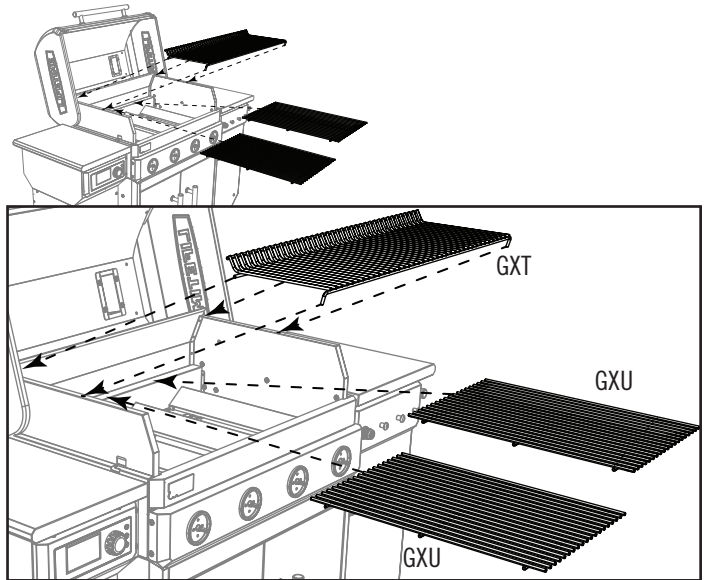
### 2.47

- Connect the **temperature knobs (GVL)** to the grill front as shown. **Ensure each is turned to the "Off" position.**



### 2.46

- Place the two (2) **cooking grates (GXU)** and the **warming rack (GXT)** onto the grill as shown.



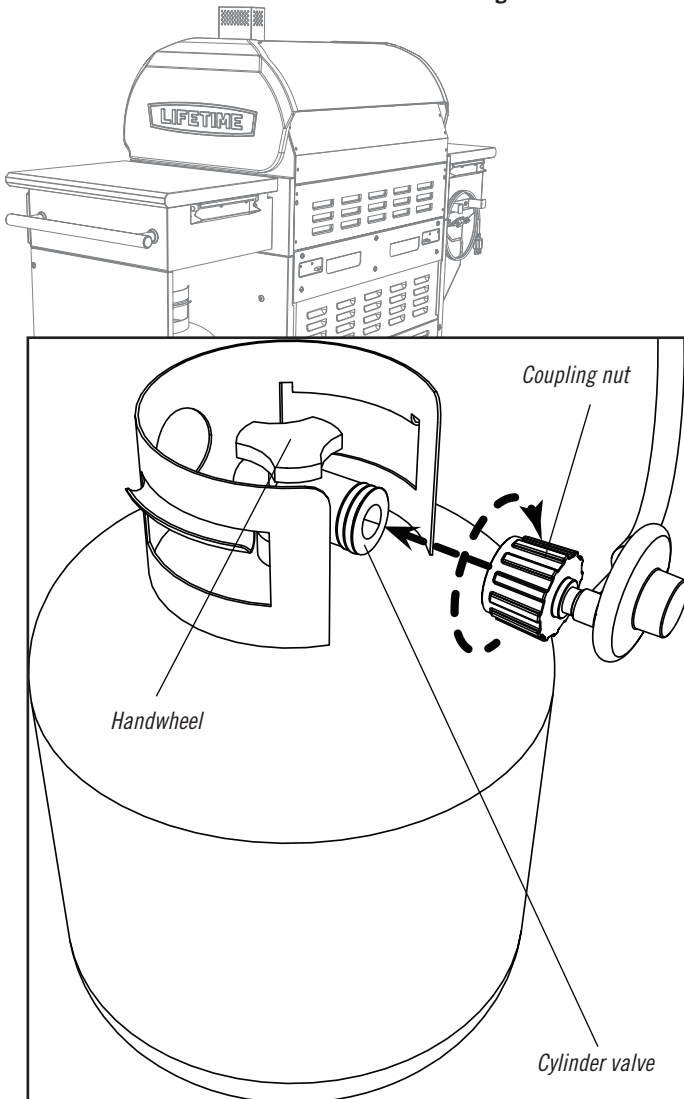
## ► SECTION 2 (CONTINUED)

TOOLS AND HARDWARE REQUIRED



### 2.48

- Ensure the handwheel on the propane tank is completely shut off. Set the tank in the propane compartment. Remove the cap from the propane tank's cylinder valve and secure the regulator hose to the propane tank by screwing the coupling nut onto the cylinder valve. **Tighten until it stops. If you smell gas, check the connections for leaks. See the User's Guide for leak-testing instructions.**



### 2.49

- Tighten the bolt (GYQ) to secure the propane tank to the floor as shown.



**WARNING:** When not in use, the propane tank should be removed from the appliance and stored outdoors. **DO NOT** store the propane tank in any enclosed area.



**WARNING:** The grill & pellet smoker should be a minimum of 4 ft (≈1.2 m) from any exterior wall. Please read the User's Guide to familiarize yourself with all dangers, warnings and cautions applicable to this appliance.



## ▶ SECTION 2 (CONTINUED)

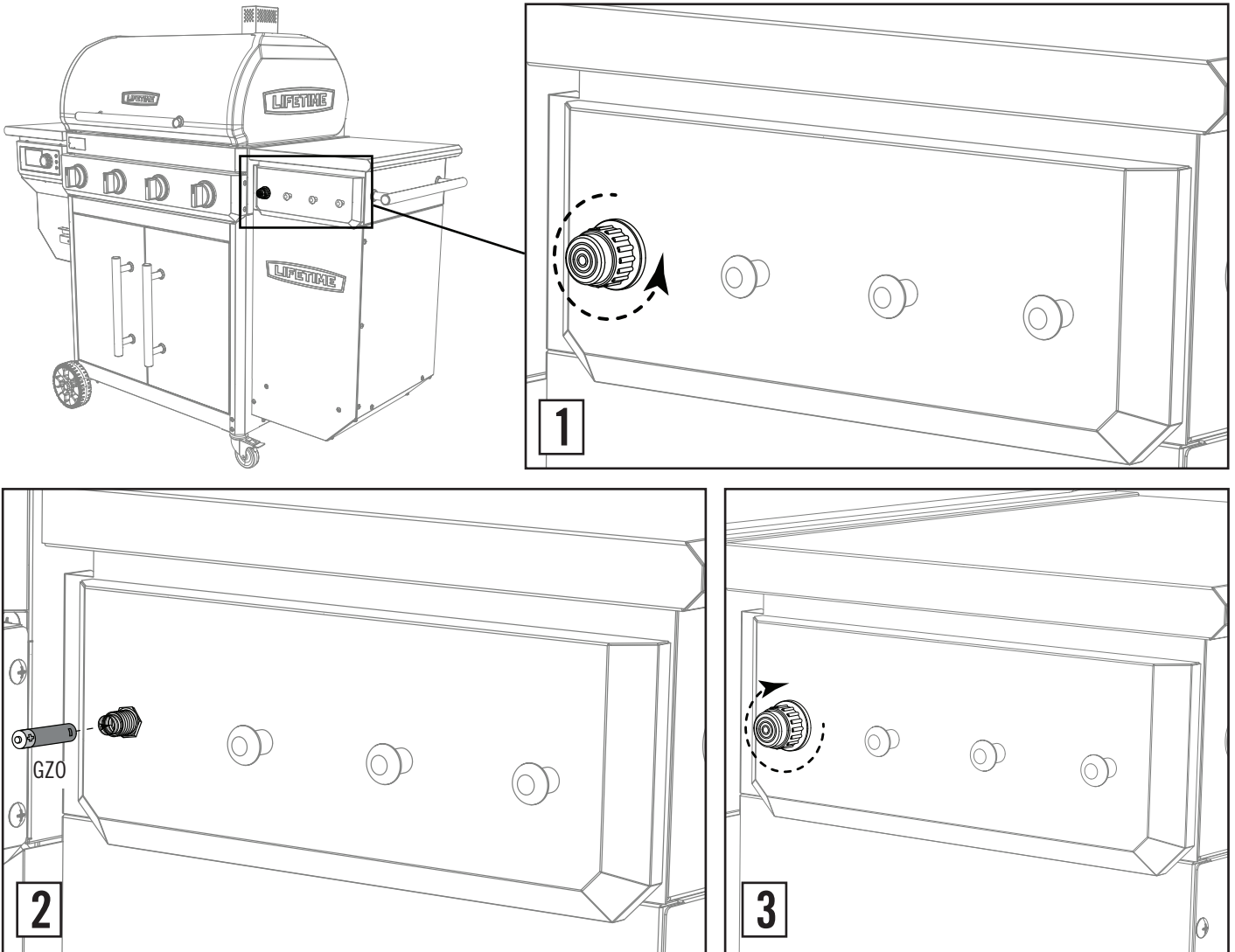
TOOLS AND HARDWARE REQUIRED



GZO (x1)

### 2.50

- The electric ignition requires 1 “AA” alkaline battery (included). 1. Remove the igniter button/cap from the igniter panel. 2. Insert the battery, negative end first. 3. Re-attach the igniter button.

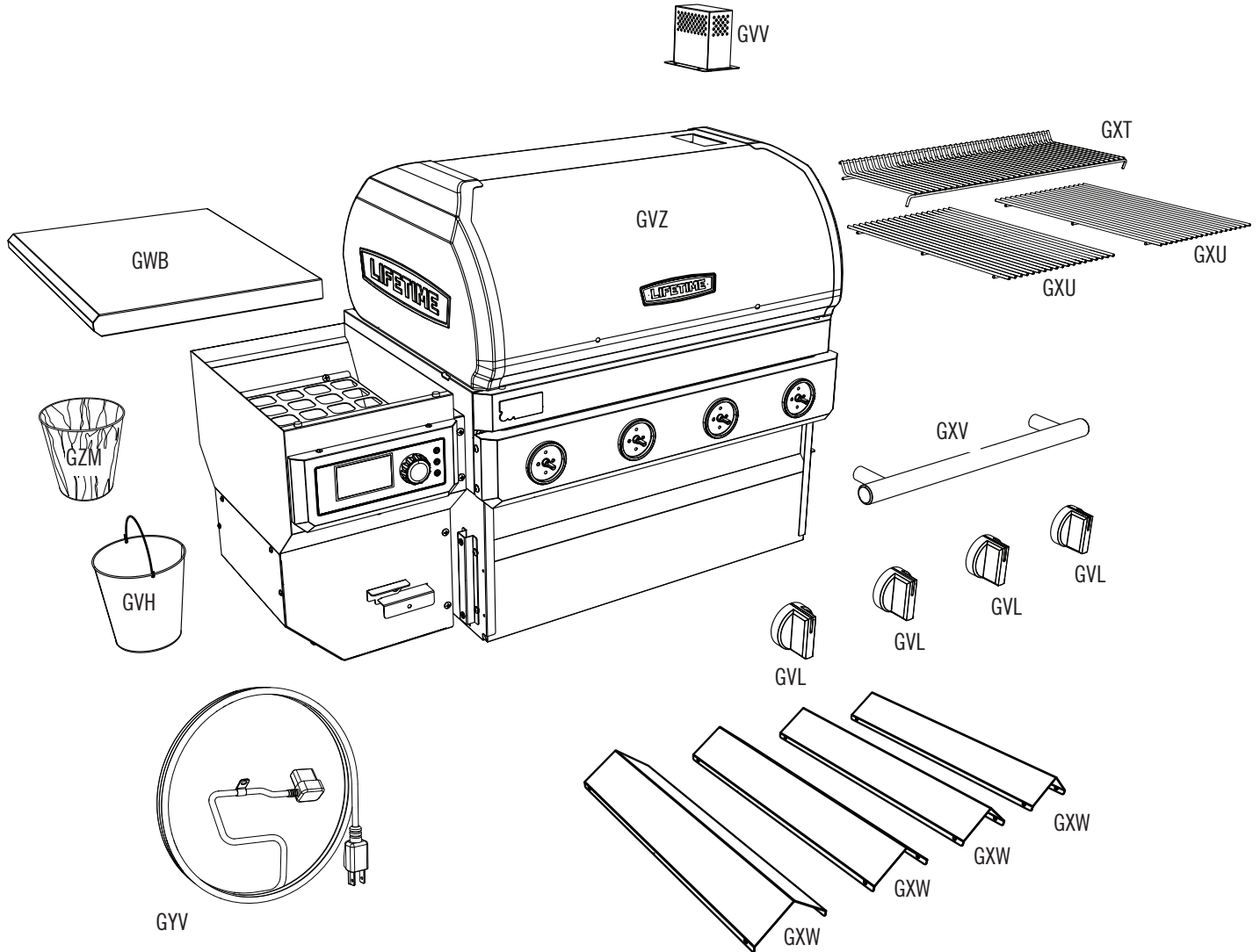


**⚠ WARNING:** READ THE USER'S GUIDE BEFORE OPERATING THIS APPLIANCE. FAILURE TO READ AND UNDERSTAND THE DANGERS, WARNINGS AND CAUTIONS ASSOCIATED WITH THE USE OF THIS APPLIANCE CAN LEAD TO PERSONAL INJURY, PROPERTY DAMAGE AND EVEN DEATH.

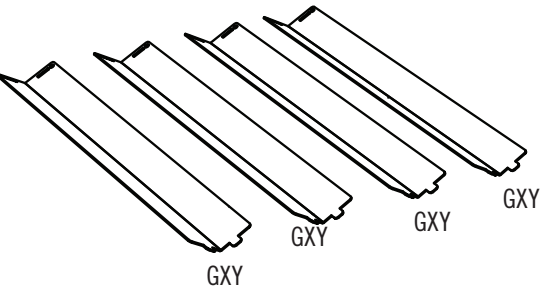




# GRILL AND SMOKER PARTS VIEW

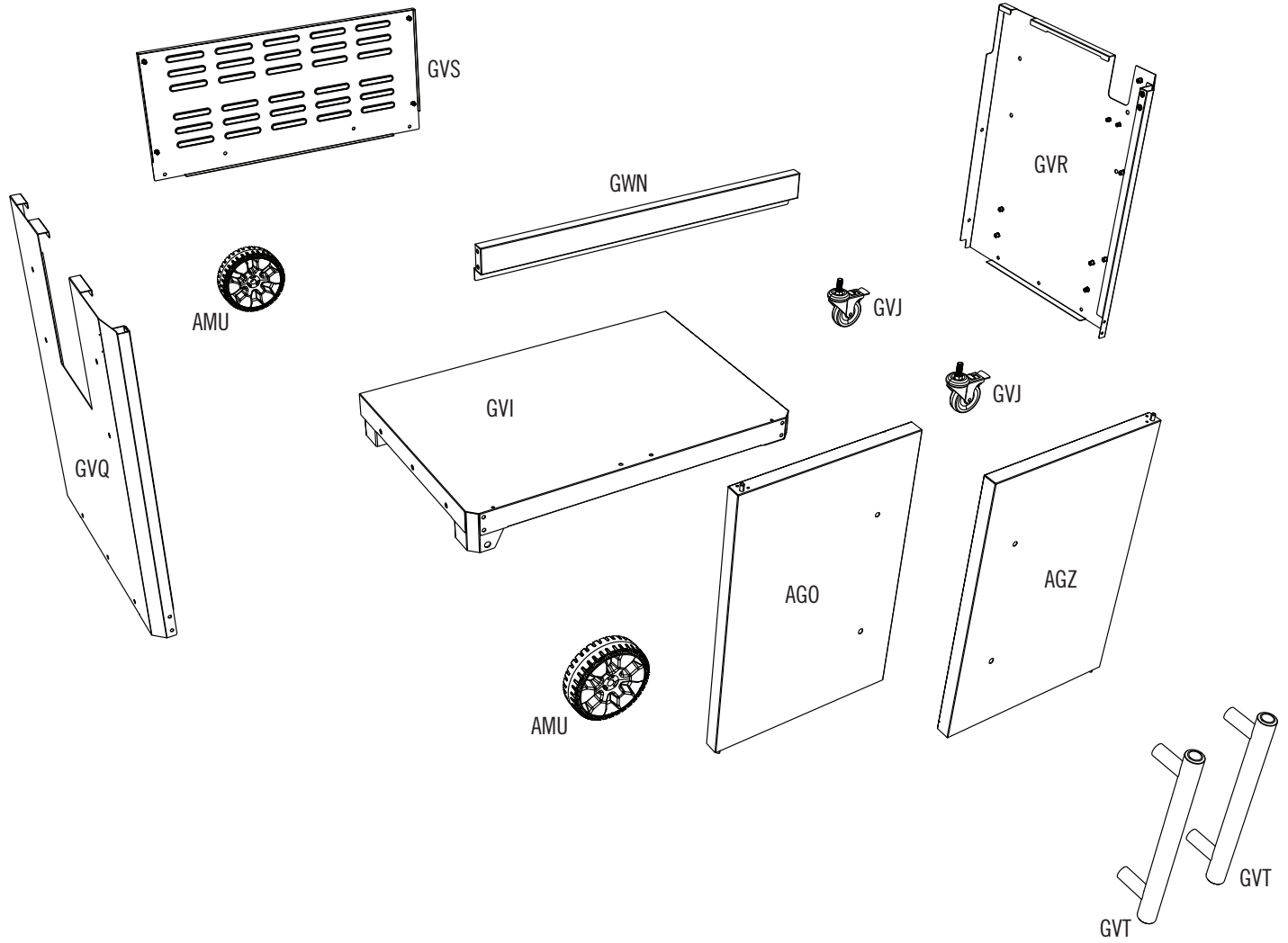


- GVZ Grill
- GVV Chimney Stack
- GWB Hopper Lid
- GXT Upper Grill Grate
- GXU Lower Grill Grate
- GXV Grill Lid Handle
- GVL Temperature Control Knob
- GVH Grease Bucket
- GZM Grease Bucket Liner
- GXW Upper Burner Shields
- GYV Power Cord
- GXY Lower Burner Shields





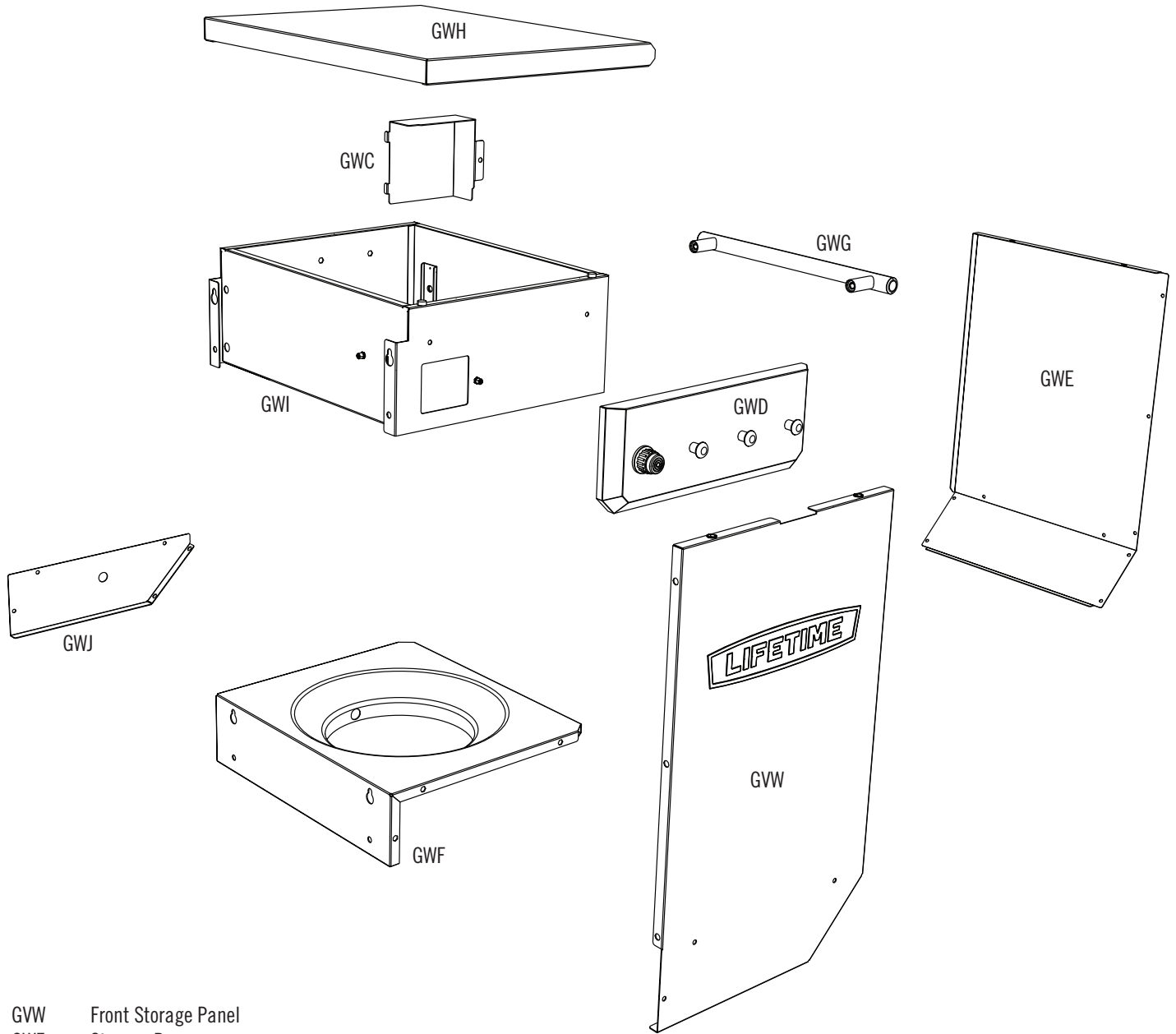
## GRILL CABINET PARTS VIEW



- GVI Cabinet Floor
- GVS Rear Cabinet Panel
- GQ Left Cabinet Panel
- GVR Right Cabinet Panel
- GWN Cabinet Cross Brace
- AGO Left Cabinet Door
- AGZ Right Cabinet Door
- GVJ Caster
- AMU Wheel
- GVT Cabinet Door Handle



# PROPANE COMPARTMENT PARTS VIEW



- GVW Front Storage Panel
- GVF Storage Base
- GVJ Storage Box
- GVE Right Storage Panel
- GVJ Rear Storage Base Panel
- GVD Ignitor Cover Panel
- GVC Ignitor Box Cover
- GWH Storage Box Lid
- GVG Storage Box Handle



## SPARE HARDWARE BAG (GZX)

ID	#	Description
GVE	x5	#8-32 x 1/2" Truss Screw
GVF	x5	1/4"-20 x 1/2" Truss Screw
GZS	x5	1/4" Flat Washer
GZT	x5	1/4" Lock Washer
GWO	x1	Hinge Cotter Key
GWS	x1	1/4"-20 Pan-Head Shoulder Bolt
GZW	x1	#8-32 x 1/2" Flat-Head Screw
GWM	x1	Axle Cotter Key
GVG	x1	M8 x 1.25 mm x 15 mm Phillips Pan-Head Screw



## NOTES



## NOTES



## NOTES



## REGISTER YOUR PRODUCT ONLINE AT [WWW.LIFETIME.COM](http://WWW.LIFETIME.COM)

At Lifetime®, we are committed to providing innovative and quality products. While registering, you will have the opportunity to give us your feedback. Your input is valuable to us.

- You can also opt in to receive new product notifications or promotions.
- In the unlikely event of a product recall or safety modification, your registration provides the information we need to notify you directly.
- Registration is fast, easy, and completely voluntary.

### **LIFETIME'S PROMISE TO YOU:**

*Maintaining your privacy is our long-standing policy at Lifetime®. And you can rest assured that Lifetime® will not sell or provide your personal data to other third parties, or allow them to use your personal data for their own purposes.*

We invite you to read our privacy policy at [www.lifetime.com](http://www.lifetime.com)

**REGISTER today!**





## LIMITED FACTORY WARRANTY LIFETIME GAS GRILL AND PELLET SMOKER

### THE MANUFACTURER RESERVES THE RIGHT TO MAKE SUBSTITUTIONS TO WARRANTY CLAIMS IF PARTS ARE UNAVAILABLE OR OBSOLETE.

Lifetime Gas Grill and Pellet Smoker is warranted to the original purchaser to be free from defects in material or workmanship according to the following periods from the date of original retail purchase.

Auger and fan—3 years  
Electronics—3 years  
All other parts—5 years

The word “defects” is defined as imperfections that impair the use of the product. Defects resulting from misuse, abuse or negligence will void this warranty. This warranty does not cover defects due to improper installation, alteration or accident. Lifetime recommends that no modifications be made to this product. This warranty does not cover damage caused by vandalism, rusting, “acts of nature,” natural disasters, normal wear and tear or any other event beyond the control of the manufacturer.

This warranty is nontransferable and is expressly limited to the repair or replacement of defective Lifetime Gas Grill and Pellet Smoker. If the product is defective within the terms of this warranty, Lifetime Products, Inc. will repair or replace defective parts at no cost to the purchaser. Shipping charges to and from the factory are not covered and are the responsibility of the purchaser. Labor charges and related expenses for removal, installation or replacement of the Lifetime Grill and Pellet Smoker or its components are not covered under this warranty.

This warranty does not cover scratching, scuffing or other cosmetic damage of the product that may result from normal usage. In addition, defects resulting from intentional damage, negligence or unreasonable use will void this warranty / are not covered by this warranty.

Liability for incidental or consequential damages is excluded to the extent permitted by law. All merchandise is sold on this condition, and no representative of the company may waive or change this policy.

This product is not intended for institutional or commercial use; Lifetime Products, Inc. does not assume any liability for such use. Institutional or commercial use will void the warranty.

This warranty is expressly in lieu of all other warranties, expressed or implied, including warranties of merchantability or fitness for use to extent permitted by Federal and state law. Neither Lifetime Products, Inc., nor any representative assumes any other liability in connection with this product. This warranty gives you specific legal rights, and you may also have other rights which vary from state to state.

**Australian customers.** Our goods come with guarantees that cannot be excluded under the Australian Consumer Law. You are entitled to a replacement or refund for a major failure and for compensation for any other reasonably foreseeable loss or damage. You are also entitled to have the goods repaired or replaced if the goods fail to be of acceptable quality and the failure does not amount to a major failure.

#### **ALL WARRANTY CLAIMS MUST BE ACCOMPANIED BY A SALES RECEIPT.**

#### **REPORT PRODUCT DEFECTS IN WRITING TO:**

Lifetime Products, Inc.  
Freeport Center, Bldg. D-12  
Clearfield, UT 84016 USA

For online warranty claims, please visit: [www.lifetime.com/warranty](http://www.lifetime.com/warranty)  
Warranty Department: (800) 225-3865 M–F 7 a.m. to 5 a.m. Mountain Standard Time (MST)

#### **FOR INTERNATIONAL WARRANTY CLAIMS:**

All warranty claims must be accompanied by a sales receipt. Report all warranty claims in writing to your regional sales support representative. Please include your dated sales receipt and photographs of damaged parts.

To identify the representative for your region, please visit: [www.lifetime.com/international](http://www.lifetime.com/international)

**ENHANCE YOUR LIFETIME® PURCHASE BY ADDING ACCESSORIES OR OTHER GREAT PRODUCTS**

*To purchase accessories or other Lifetime® products, visit us at:*

***www.lifetime.com***

*Or call: 1-800-424-3865*

*7:00 am–5:00 pm (M–F) MST and 9:00 am–1:00 pm Saturday MST*

**AMÉLIORER L'ACHAT LIFETIME® EN AJOUTANT DES ACCESSOIRES OU D'AUTRES PRODUITS**

*Pour acheter des accessoires ou des autres produits Lifetime®, visiter le :*

***www.lifetime.com***

*Ou composer le 1-800-424-3865*

*Du lundi au vendredi de 7 h à 17 h, HR et le samedi de 9 h à 13 h, HR*

**MEJORAR LA COMPRA DE LIFETIME® AGREGANDO ACCESORIOS U OTROS MARAVILLOSOS PRODUCTOS**

*Para comprar accesorios u otros productos de Lifetime®, visitarnos en:*

***www.lifetime.com***

*O marcar al 1-800-424-3865*

*De lunes hasta viernes 7:00 h–17:00 h Horario Éstandar de la Montaña (MST) y sábados 9:00 h–13:00 h (MST)*



[www.lifetime.com](http://www.lifetime.com)

