





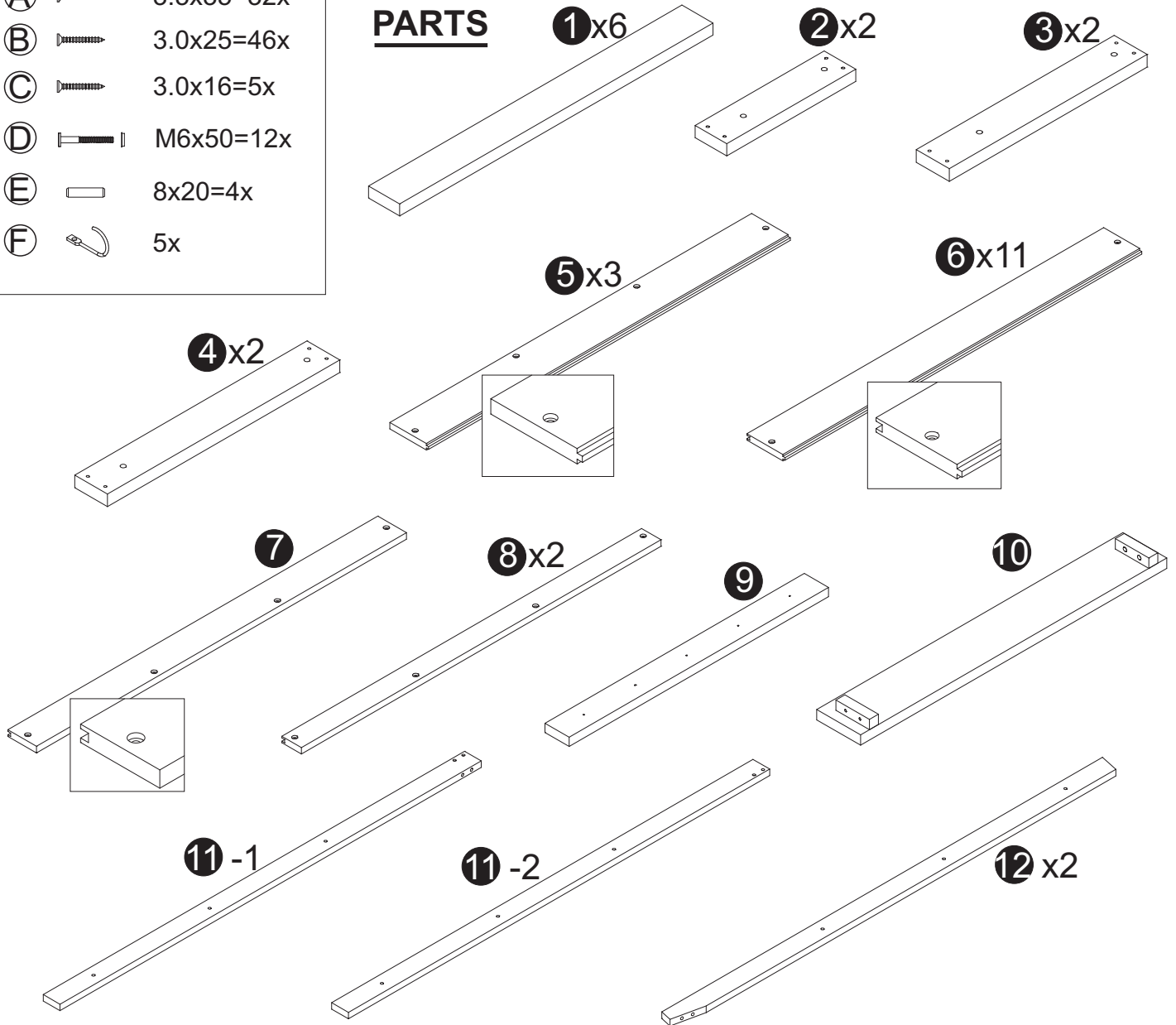


ASSEMBLY INSTRUCTION

DDP-2167

(A)		3.5x35=32x
(B)		3.0x25=46x
(C)		3.0x16=5x
(D)		M6x50=12x
(E)		8x20=4x
(F)		5x

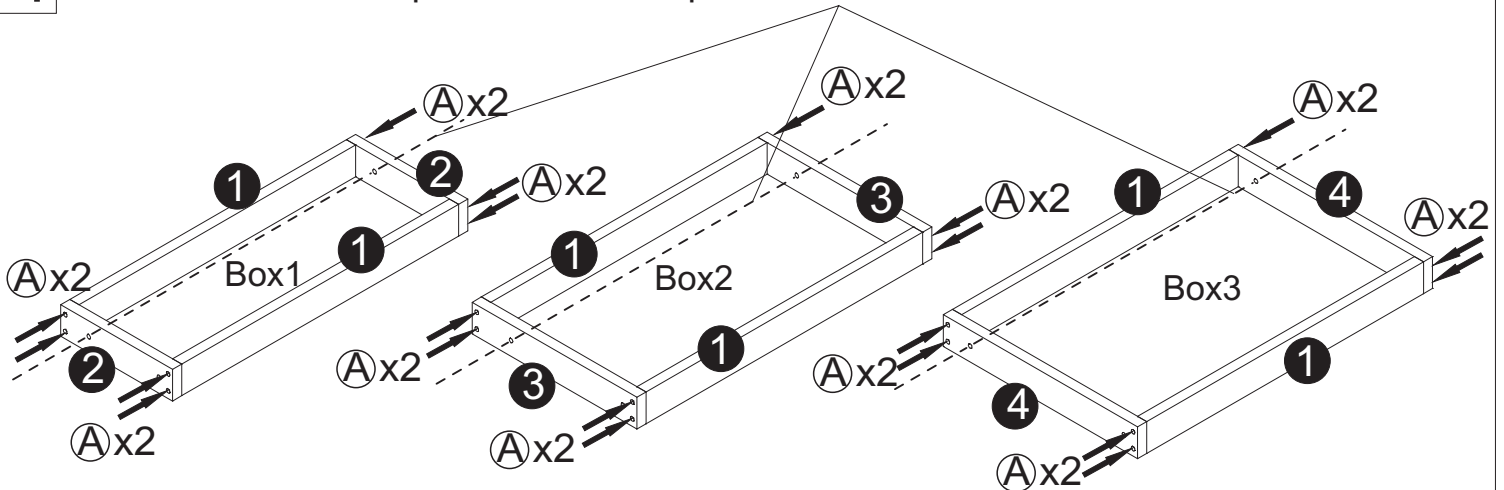
PARTS



ASSEMBLY

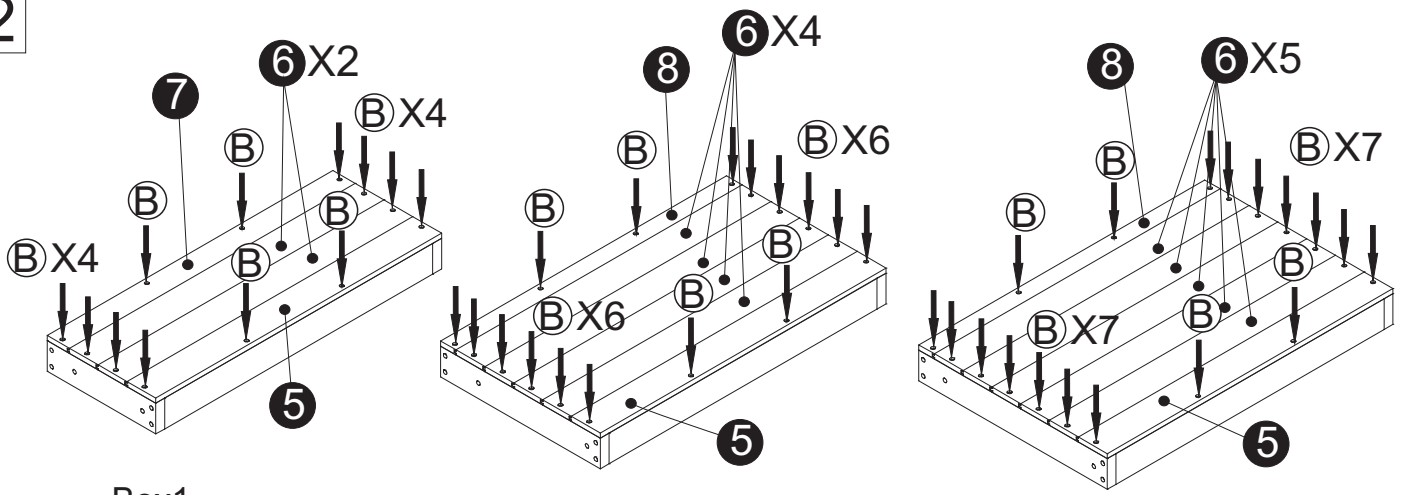
1

Be sure the predrill holes for panel No.: 2, 3 & 4 at the same level



(A)		3x8=24x
-----	-------------------------------------------------------------------------------------	---------

2



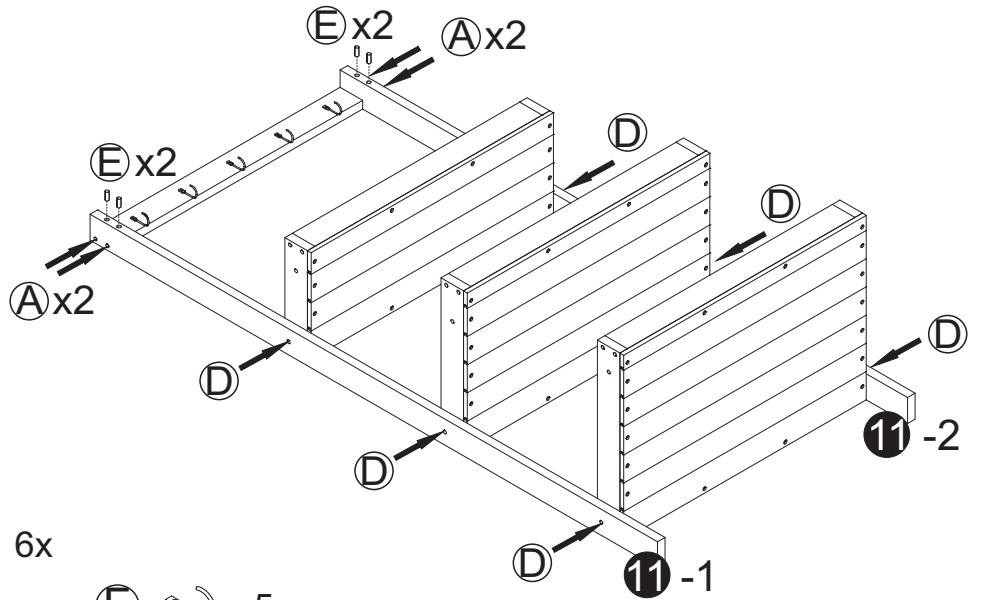
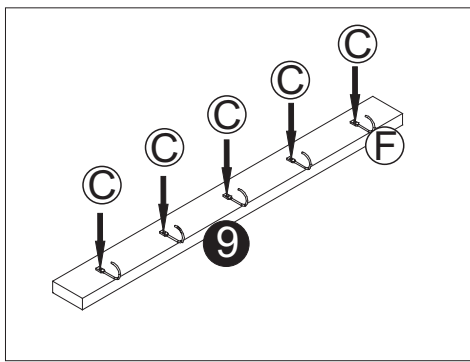
Box1

Box2

Box3

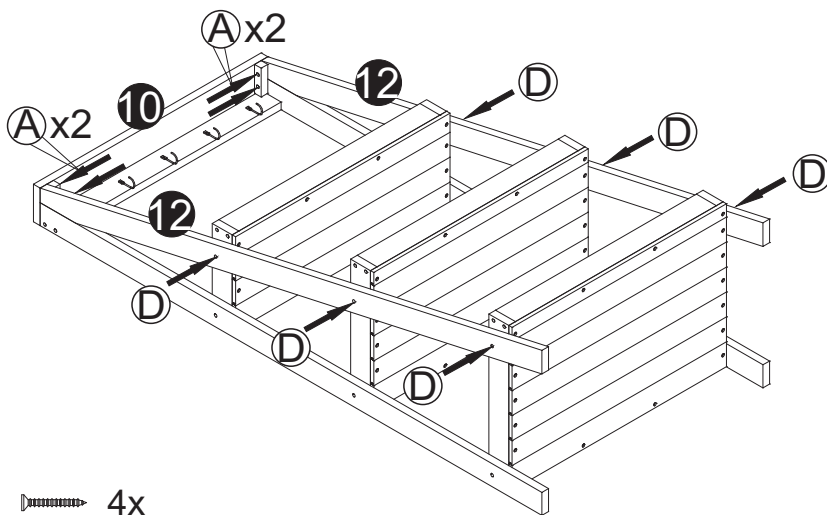
(B) 46x

3



(A) 4x
 (C) 5x
 (D) 6x
 (E) 4x
 (F) 5x

4



(A) 4x
 (D) 6x

