


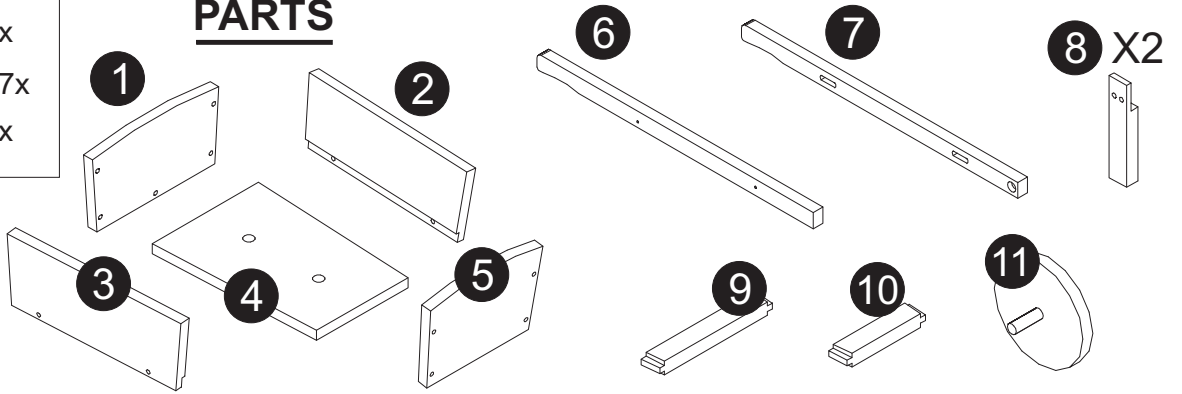


# ASSEMBLY INSTRUCTION

DDP-1855

- (A)  3.5x50=4x
- (B)  3.5x35=17x
- (C)  3.5x30=4x

## PARTS



## ASSEMBLY

