


ASSEMBLY INSTRUCTION

DDP-1840

Ⓐ  3.5x30=112x

PARTS

① x4

② x4

③ x4

④ x4

⑤ x8

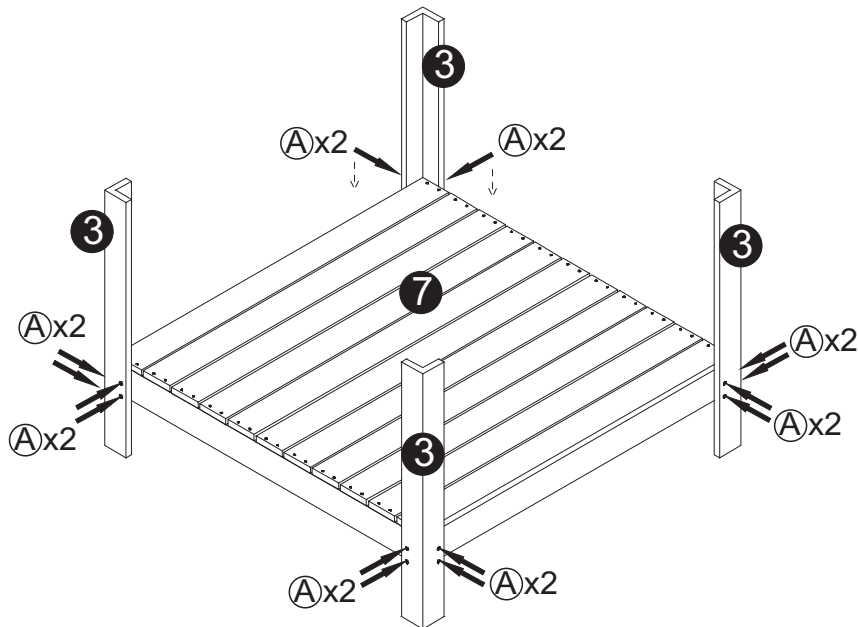
⑥ x4

⑦

⑧ x2

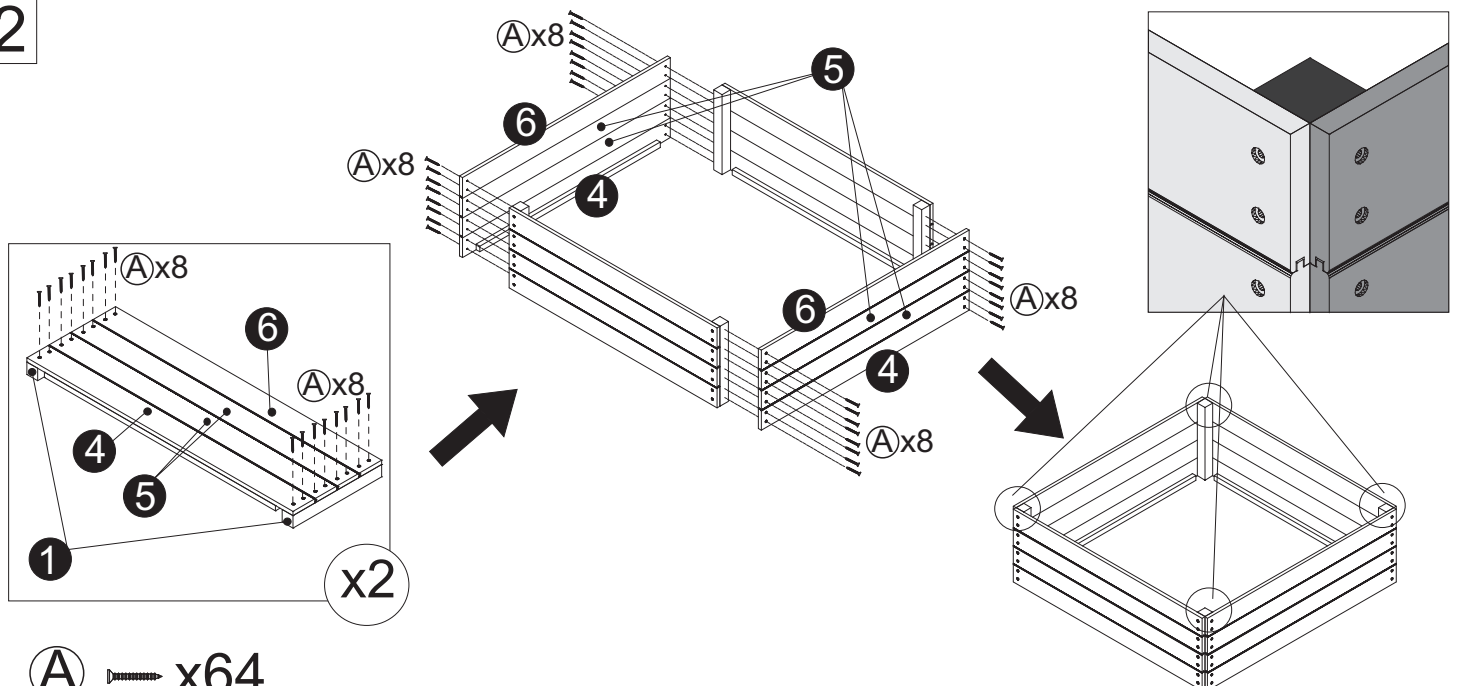
ASSEMBLY

1



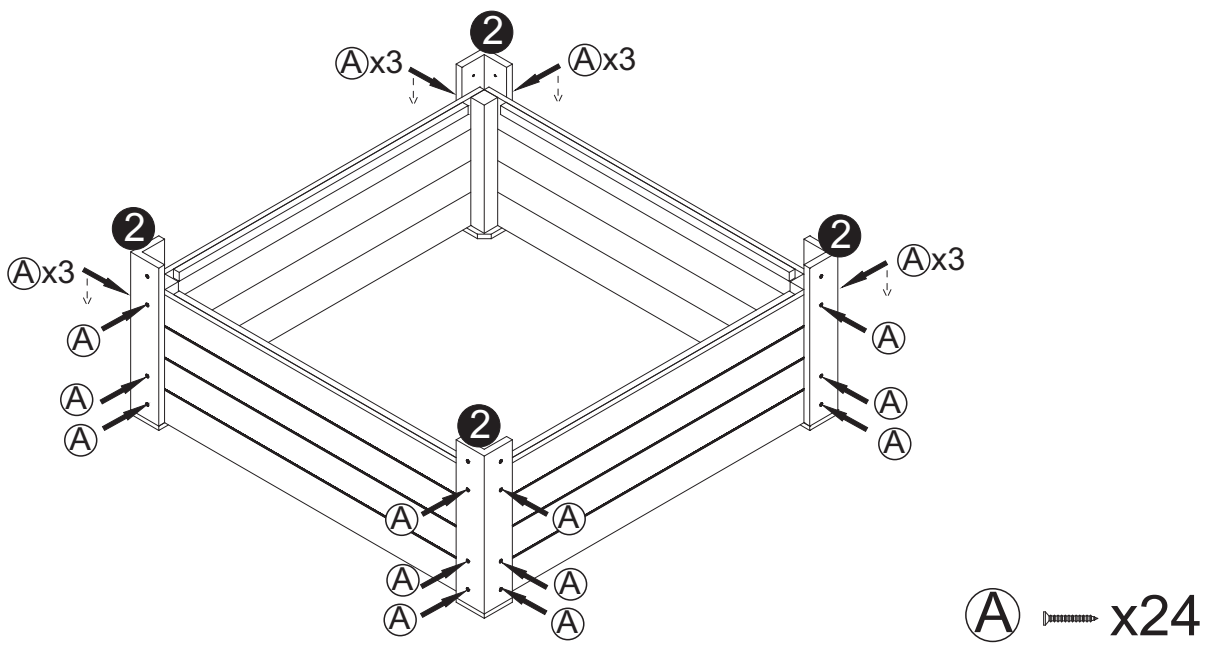
Ⓐ  x16

2

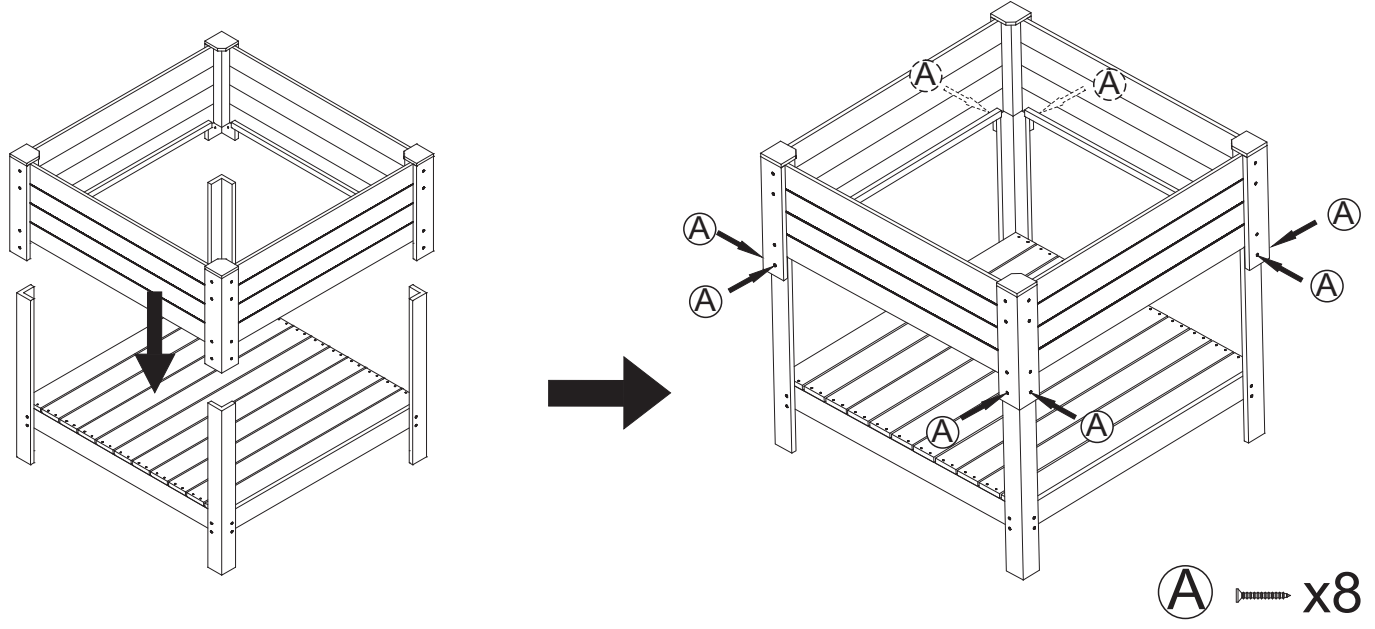


Ⓐ  x64

3



4



5

