

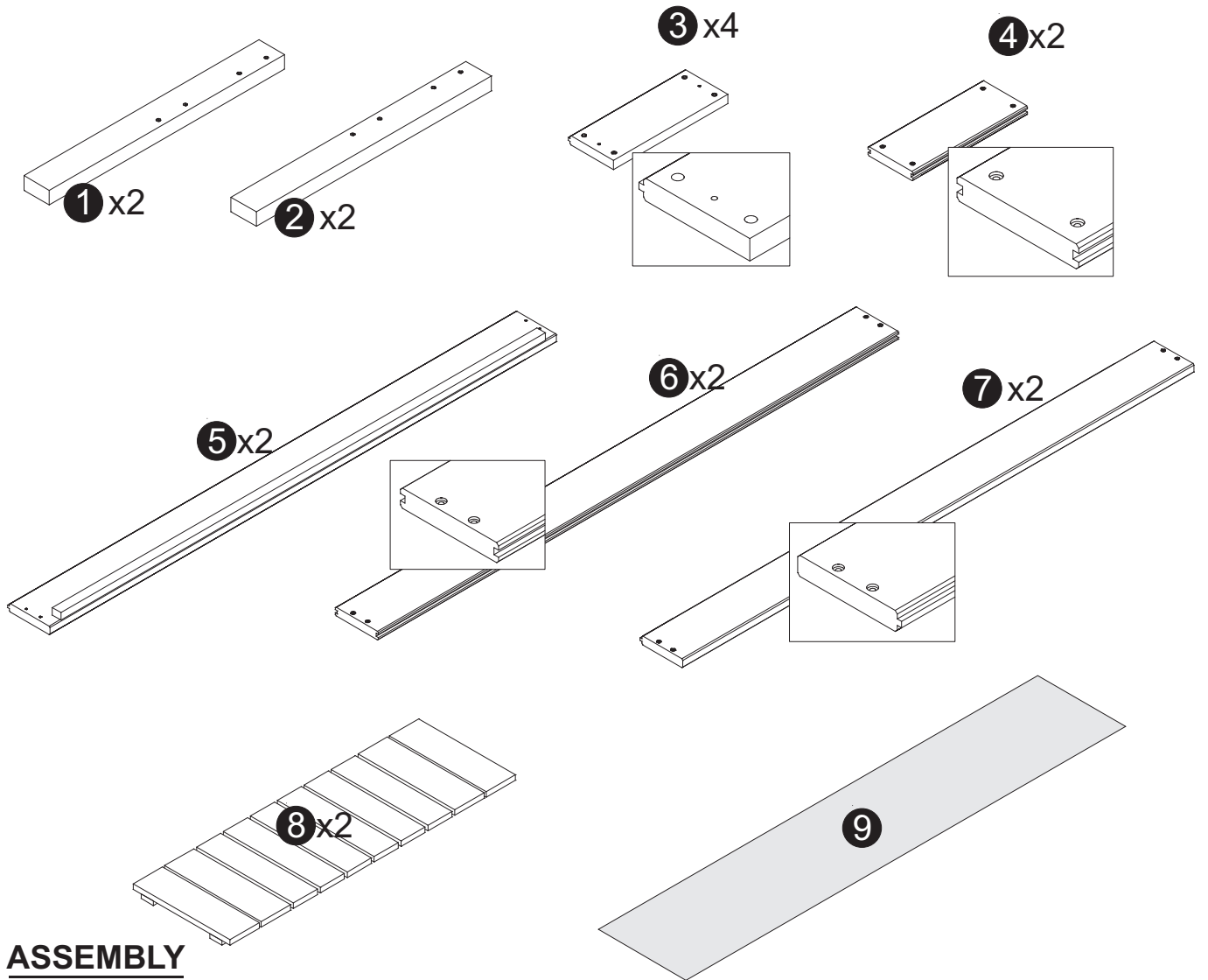
# ASSEMBLY INSTRUCTION

DDP-2168XXL

(A)  8x20mm 16pcs

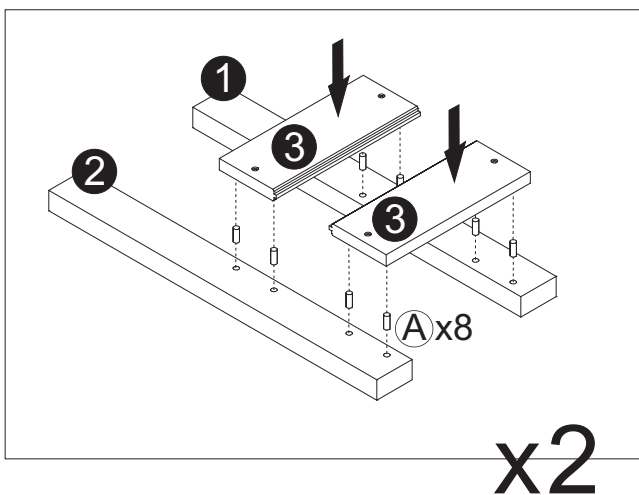
(B)  3.5\*40mm 40pcs

## PARTS



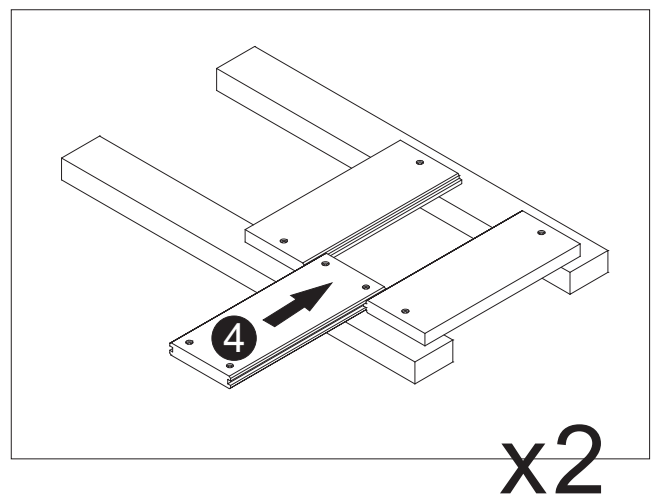
## ASSEMBLY

1

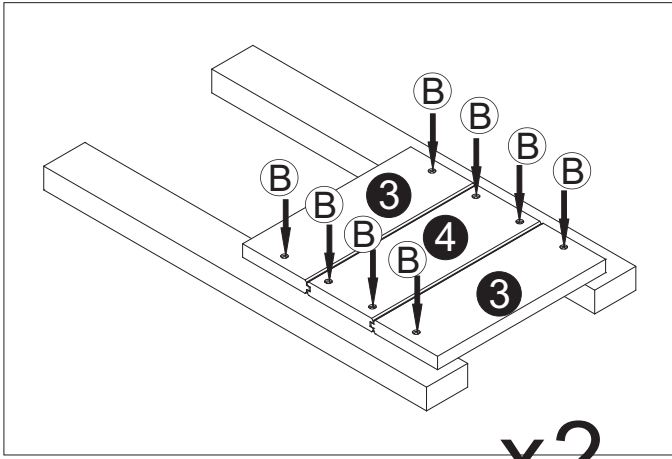


(A)  x16

2



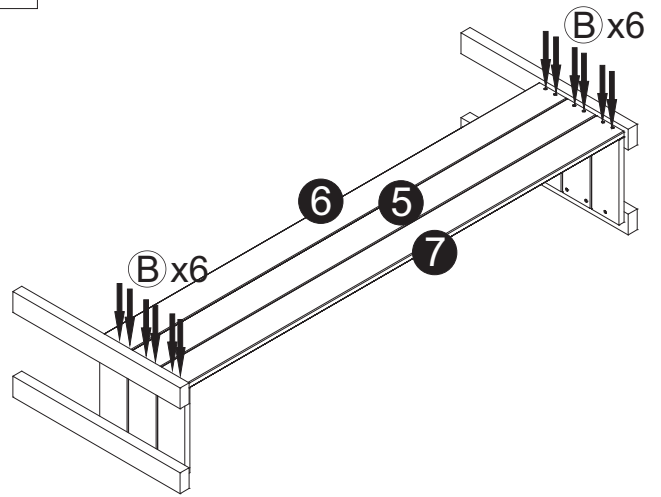
3



x2

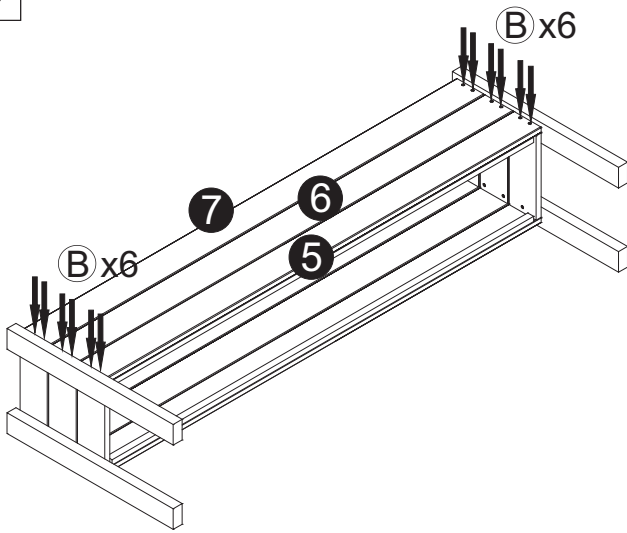
(B) → x16

4



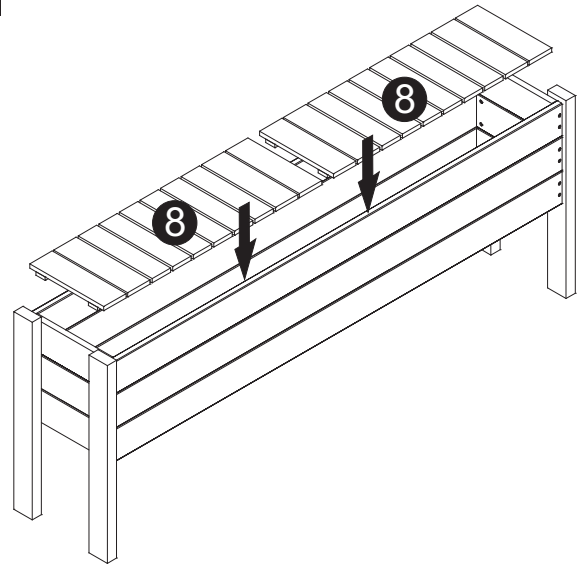
(B) → x12

5

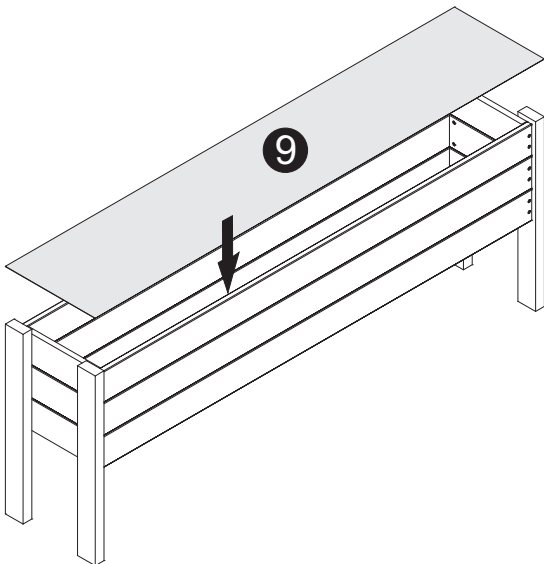


(B) → x12

6



7



8

