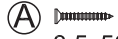
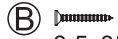



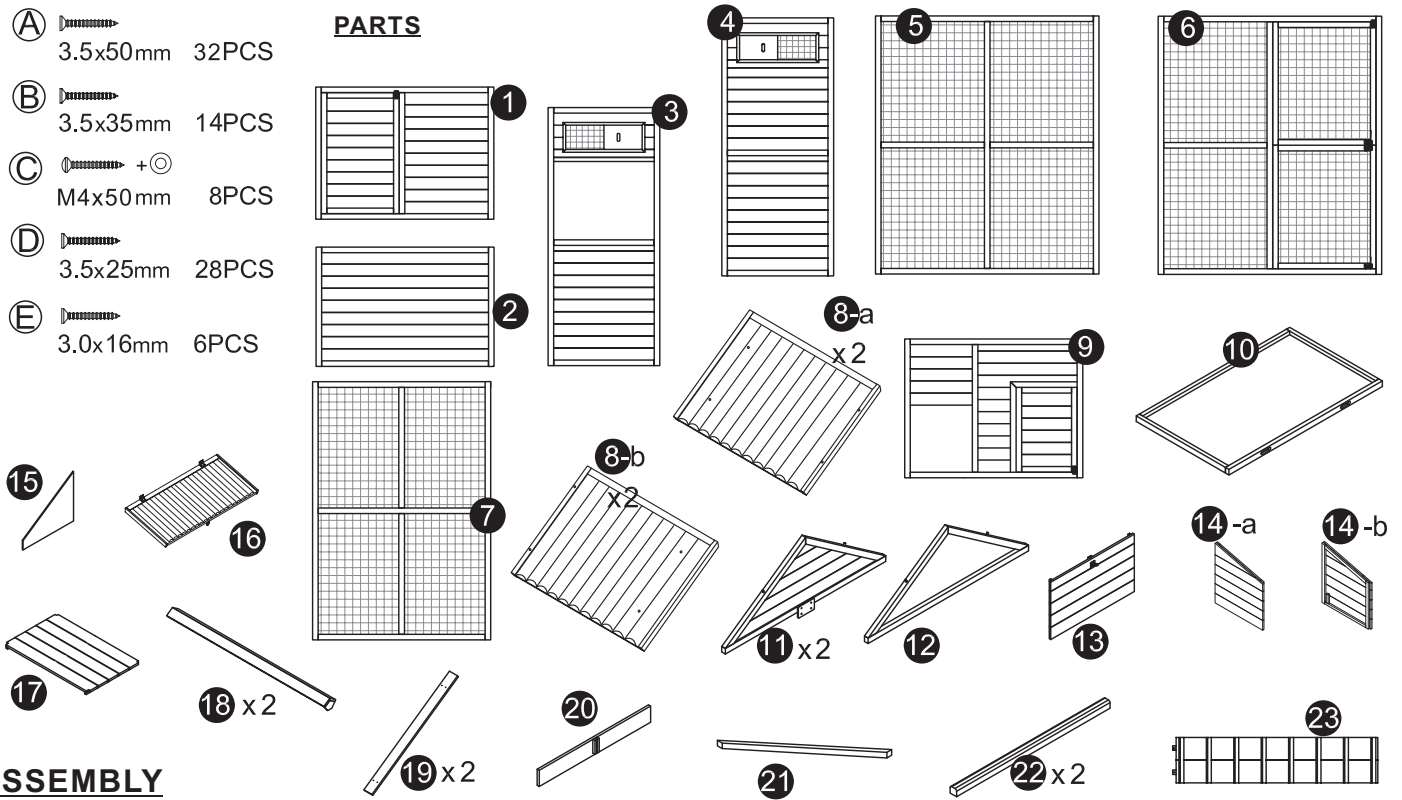


# ASSEMBLY INSTRUCTION

DDP-1137PVC

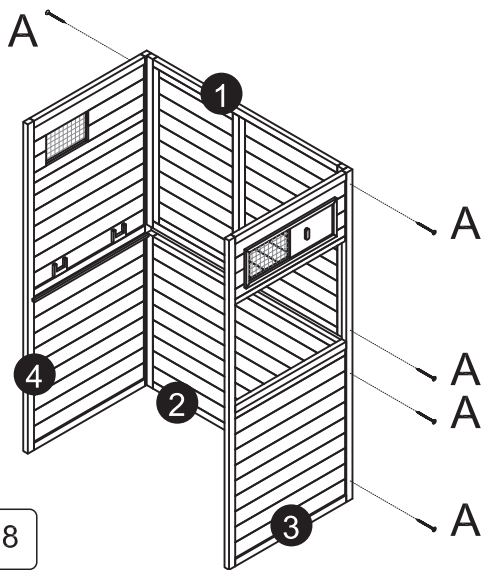
- (A)  3.5x50mm 32PCS
- (B)  3.5x35mm 14PCS
- (C)  M4x50mm 8PCS
- (D)  3.5x25mm 28PCS
- (E)  3.0x16mm 6PCS

## PARTS

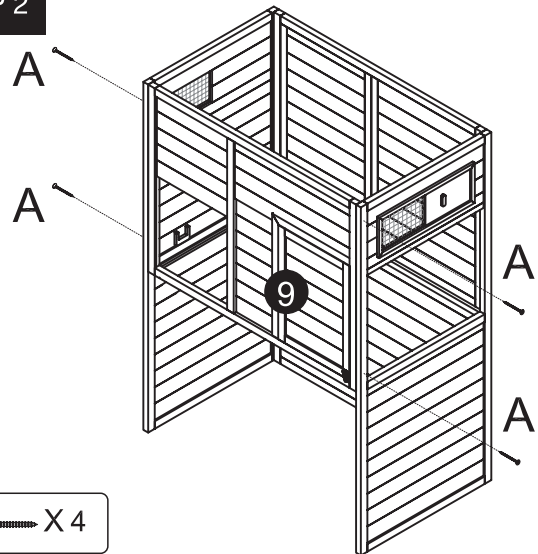


## ASSEMBLY

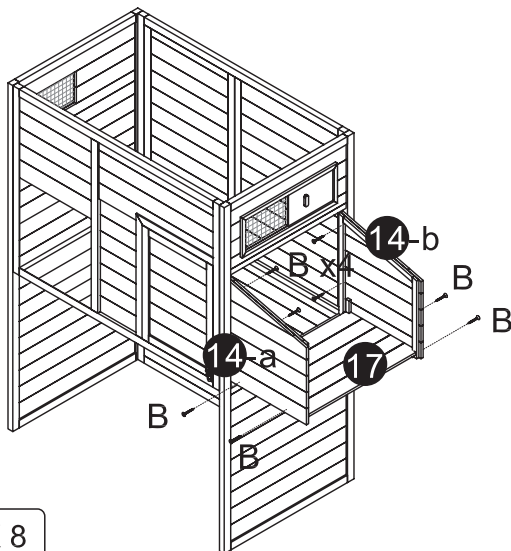
### STEP 1



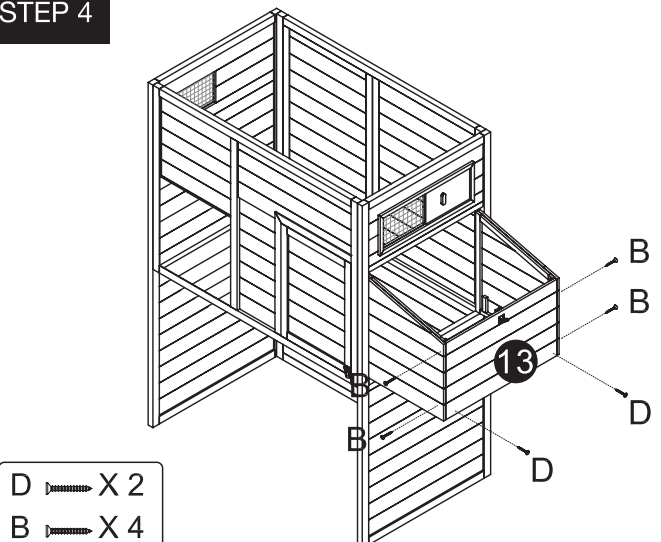
### STEP 2



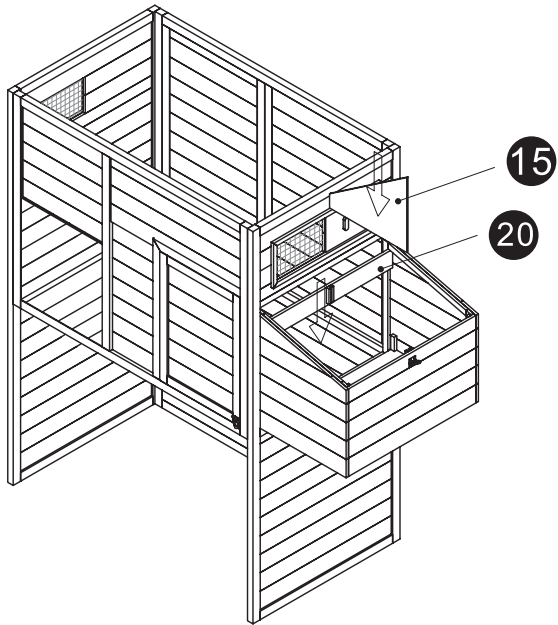
### STEP 3



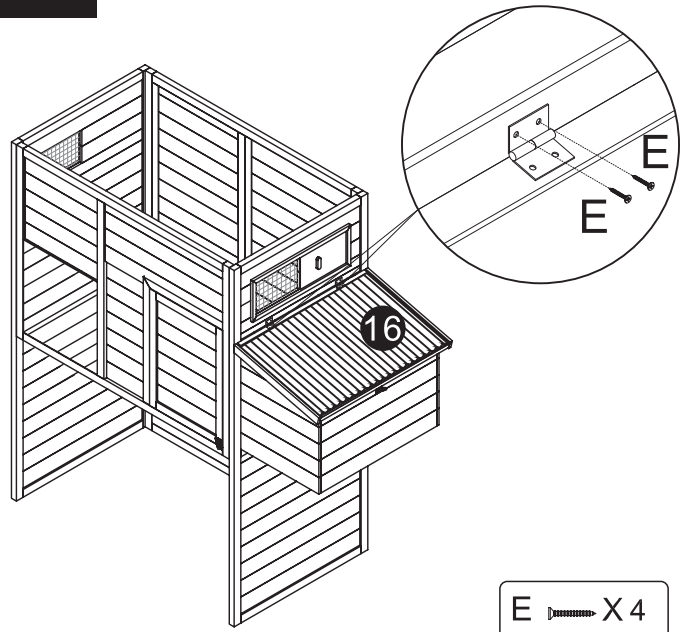
### STEP 4



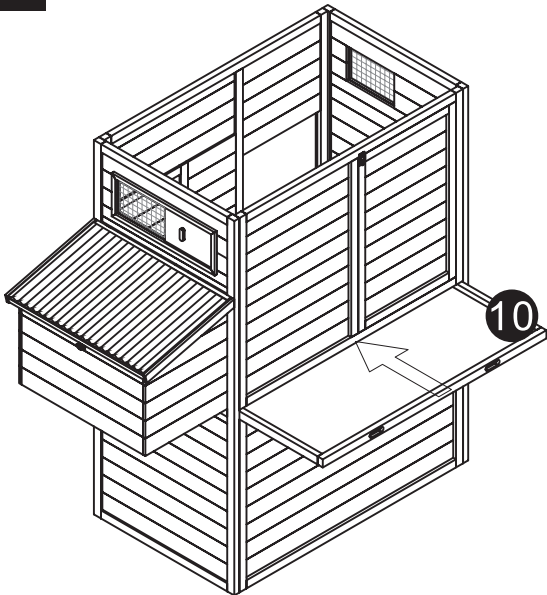
STEP 5



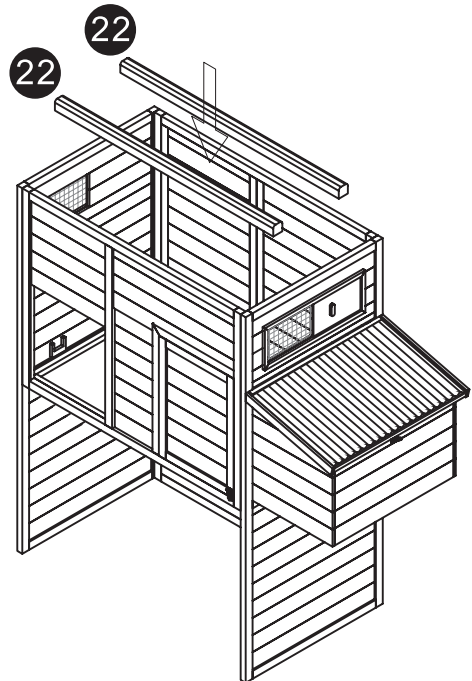
STEP 6



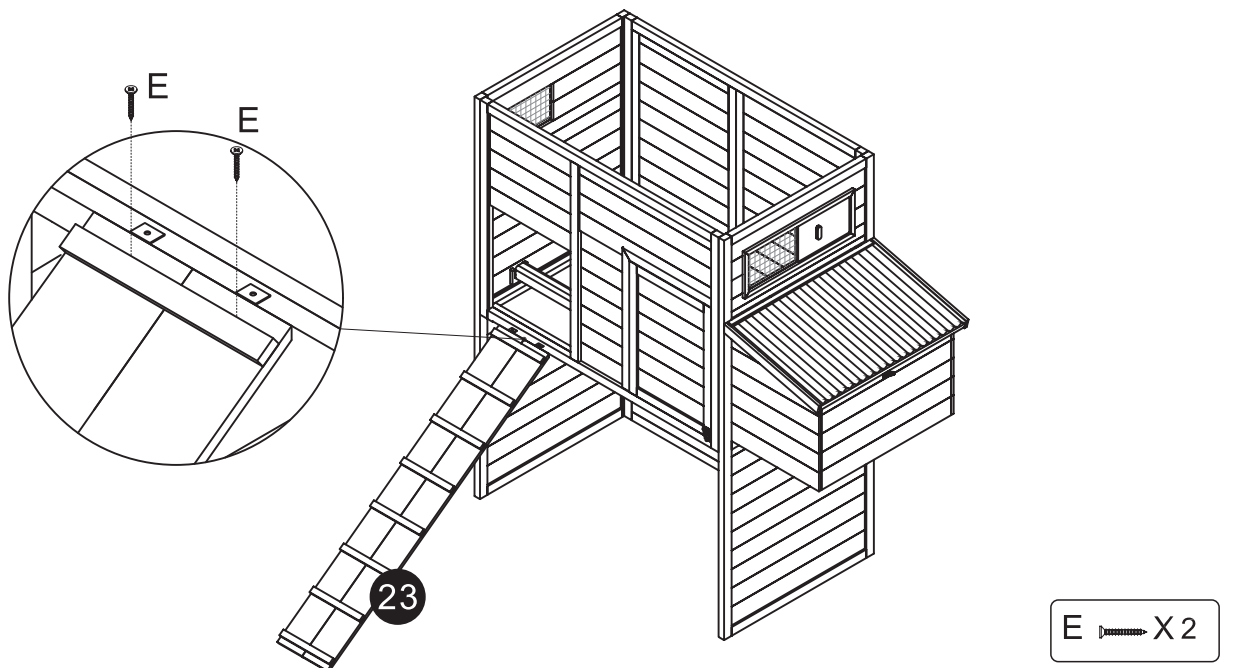
STEP 7



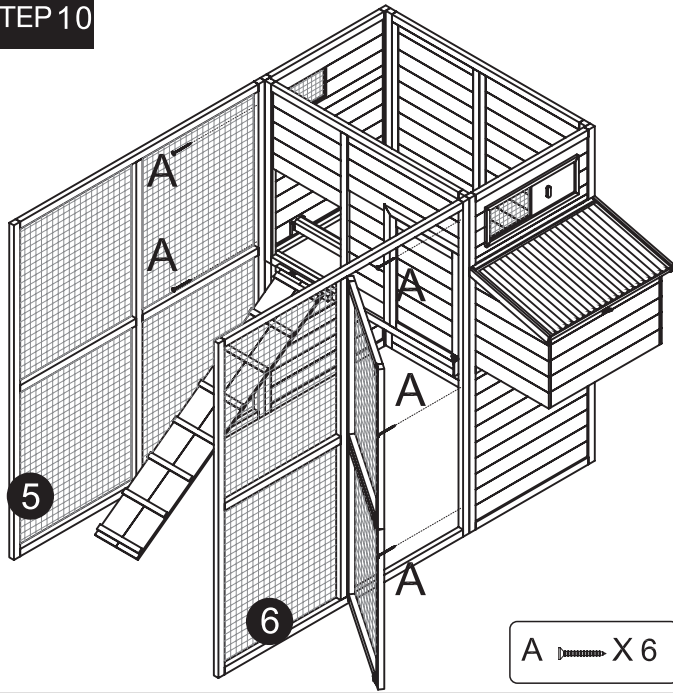
STEP 8



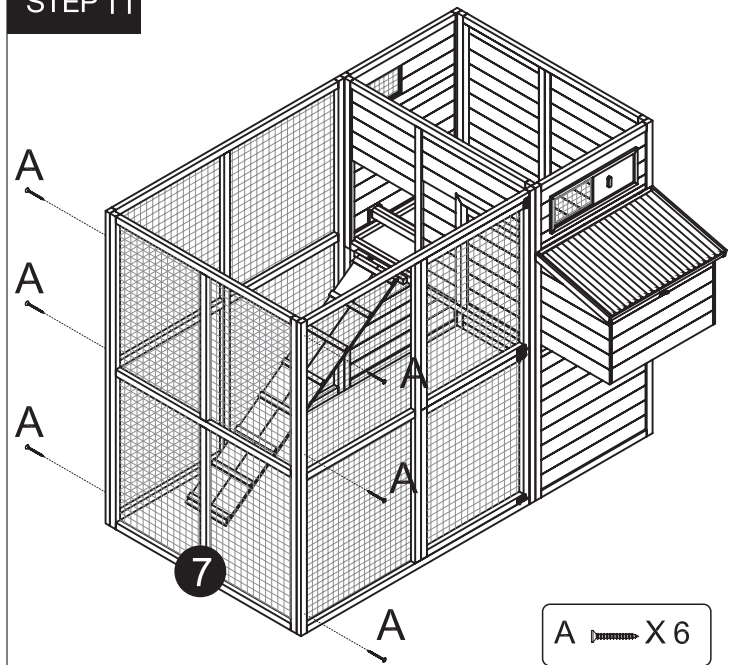
STEP 9



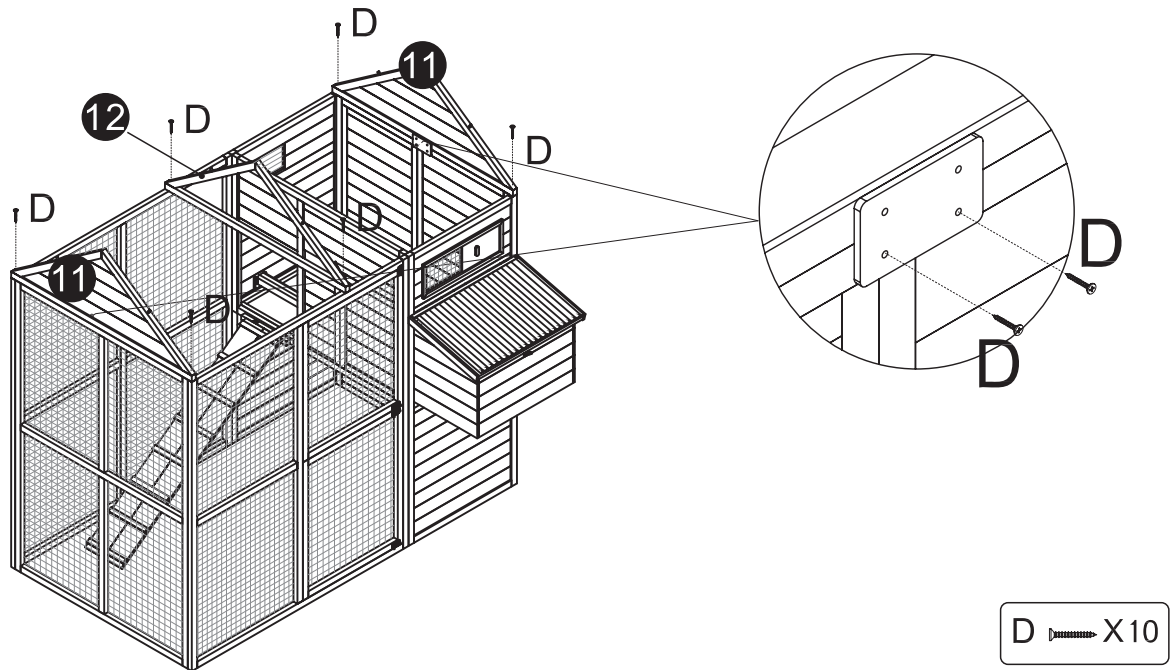
STEP 10



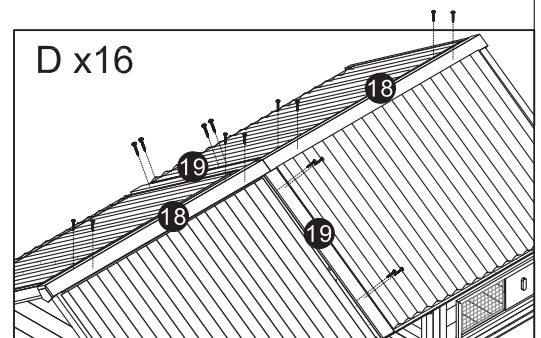
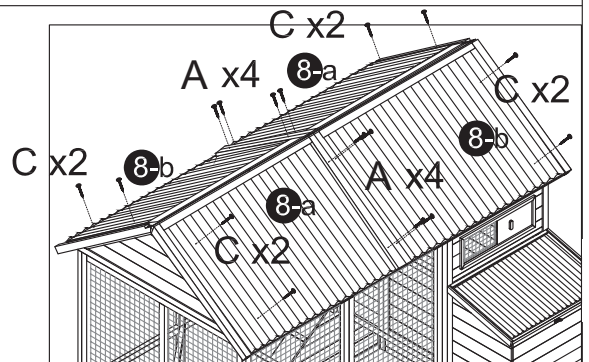
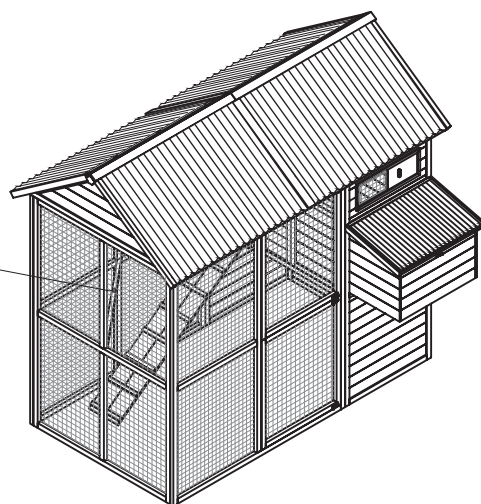
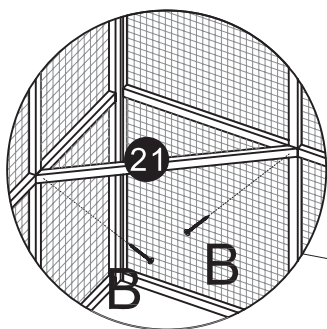
STEP 11








STEP 12



STEP 13



- D  X 16
- C  +  X 8
- B  X 2
- A  X 8