






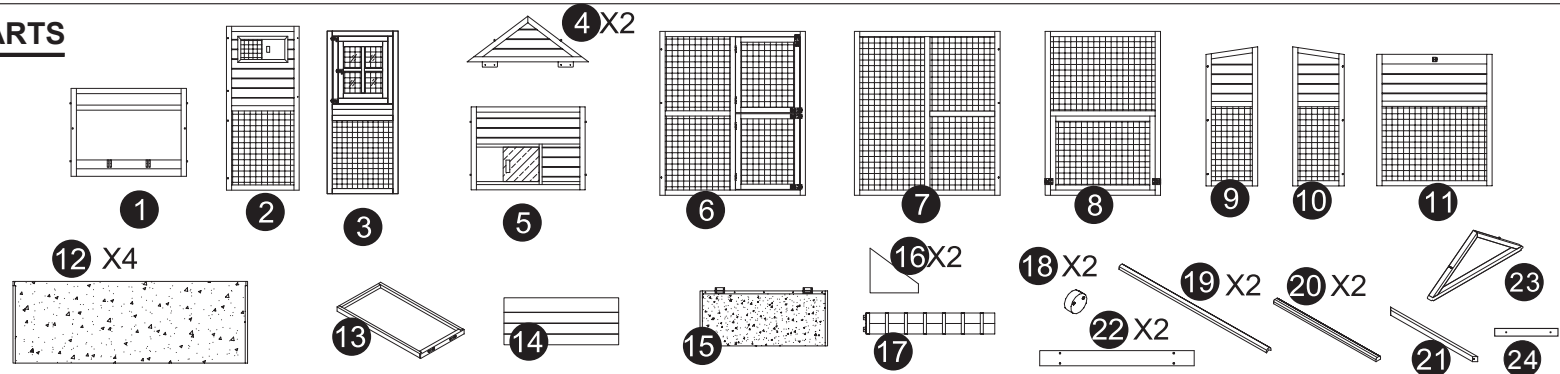


# ASSEMBLY INSTRUCTION

DDP-1524MC

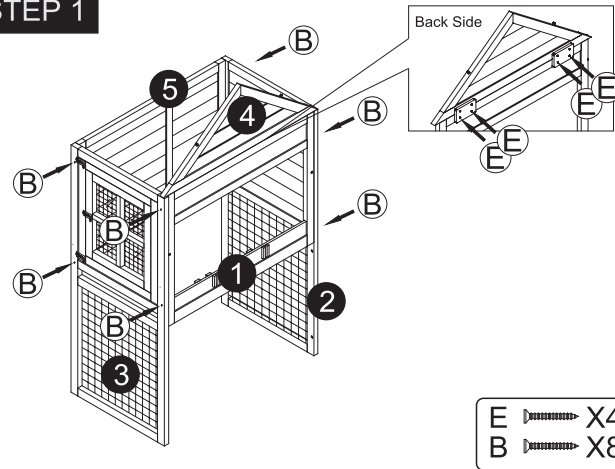
- (A)  3.5x60mm 10 PCS
- (B)  3.5x40mm 24 PCS
- (C)  M6x50mm 2 PCS
- (D)  3.5x35mm 26 PCS
- (E)  3.5x25mm 20 PCS
- (F)  3.0x16mm 6 PCS
- (G)  1PC

## PARTS

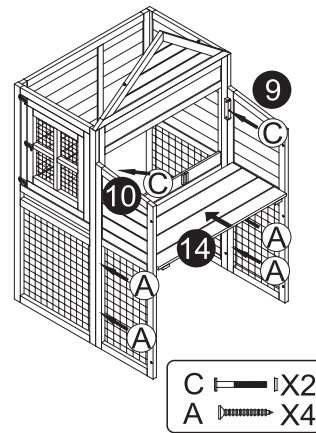


## ASSEMBLY

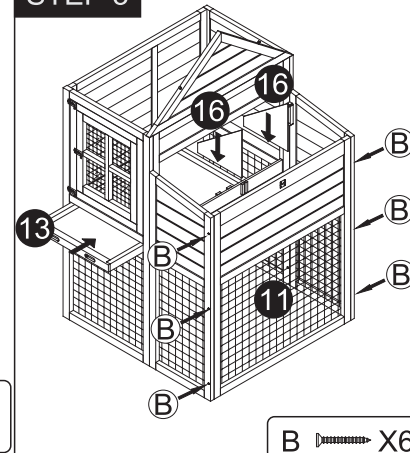
### STEP 1



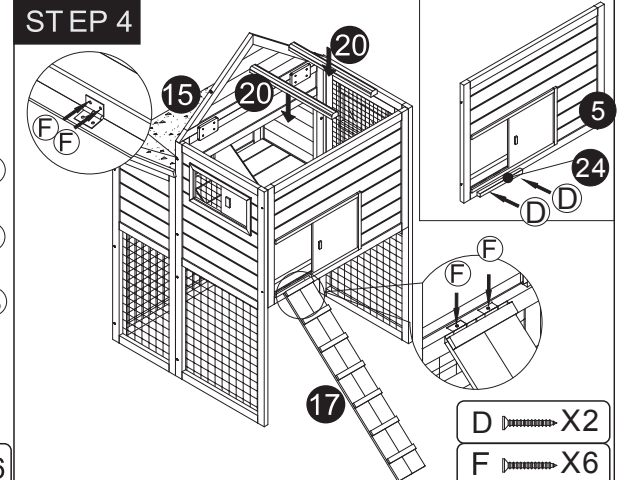
### STEP 2



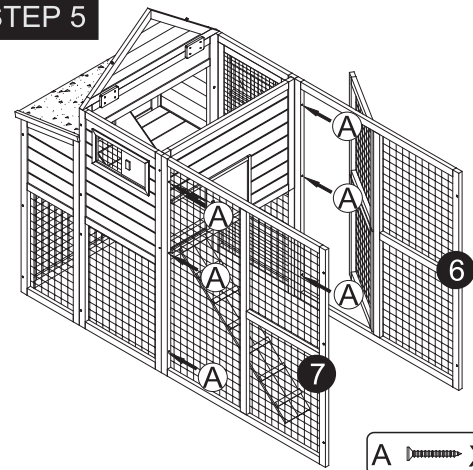
### STEP 3



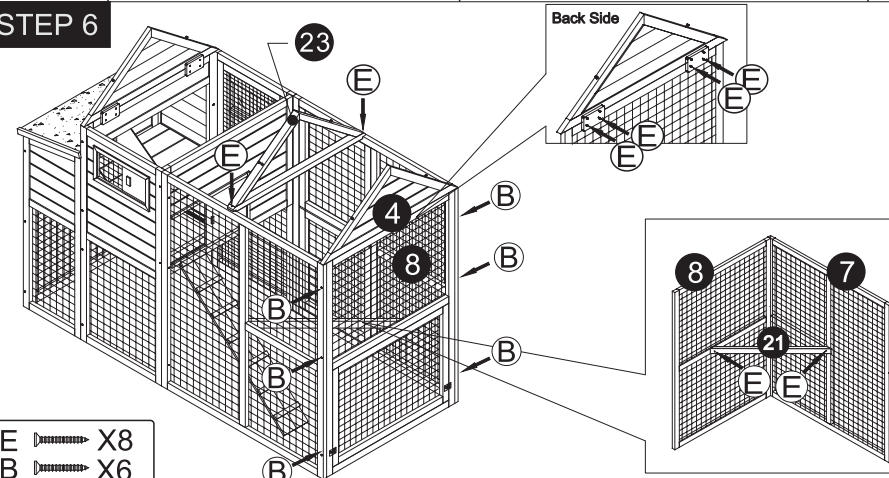
### STEP 4



### STEP 5



### STEP 6



### STEP 7

