

SPORTS AFIELD®

Established 1887

H A V E N



HAVEN SERIES INSTRUCTION MANUAL MODELS: SA5925HX-BIO, SA5930HX-BIO, SA5942HX-BIO



BIOMETRIC [SECURE ENTRY]

IMPORTANT:

Please read this information and follow all safety rules carefully before operating your gun safe. Failure to do so will void your warranty.

WARNING



Tip Over Hazard

A child or adult can tip the safe and be killed or seriously injured.

Failure to secure the safe as shown in these instructions can result in death or serious injury to children and adults.

Children should not play with or around the safe at any time.

TABLE OF CONTENTS

<i>IMPORTANT INFORMATION</i>	2
<i>1. REGISTRATION</i>	3
<i>2. UNDERSTANDING YOUR SAFE</i>	4
<i>3. UNBOXING</i>	4
<i>4. INSPECTION</i>	4
<i>5. INITIAL ENTRY</i>	5
<i>6. PROGRAMMING YOUR FINGERPRINT</i>	6
<i>7. ACCESS TEST</i>	7
<i>8. PROGRAMMING ADDITIONAL FINGERPRINTS</i>	7
<i>9. TROUBLE SHOOTING</i>	8
<i>10. CLEARING ALL PROGRAMMED FINGERPRINTS</i>	8
<i>11. LOW BATTERY WARNING</i>	9
<i>12. LOCKOUT MODE/TAMPER PROTECTION</i>	9
<i>13. SILENT ENTRY MODE</i>	10
<i>14. INTERIOR LIGHTING</i>	10
<i>15. PROPER PLACEMENT AND MOVING OF SAFE</i>	11
<i>16. KEEPING YOUR SAFE DRY</i>	12
<i>17. SHIPPING SKID REMOVAL</i>	12
<i>18. SECURING YOUR SAFE</i>	13
<i>19. LOADING YOUR SAFE</i>	14
<i>20. MAINTENANCE</i>	14
<i>WARRANTY</i>	15

DISCLAIMER - READ BEFORE SAFE SETUP

PLEASE READ THIS INFORMATION CAREFULLY BEFORE OPERATING YOUR SPORTS AFIELD SAFE.

DO NOT LOCK THIS MANUAL OR THE BACKUP KEYS IN YOUR SAFE.

- Thank you for choosing a Sports Afield Safe to protect your valuables. We are committed to securing, organizing and protecting your most important documents, valuables and keepsakes.
- Your safe is built to last a lifetime. However, please understand that the locking mechanism has precision parts. If you experience ANY difficulty opening or closing your safe, **DO NOT FORCE THE SAFE OPEN**. Doing so may jam the components in the lock, which will require a safe technician to unlock your safe. This causes an inconvenience to you and may lead to a claim denial.
- If you experience problems or challenges with your safe, please contact us. Many issues can be quickly resolved without the product being returned.

Contact Customer Service at cs@saproducts.com or (888) 792-4264

SAFETY

- Safe bodies and doors are extremely heavy thus SA Consumer Products requires a minimum of two people to insure stability of the safe during installation. Always ensure proper installation, as laid out in this manual, and do not open the door with the safe on an uneven or unstable floor. Ignoring this could result in serious injury or death.

FIREARM STORAGE

- If you choose to utilize this safe to store a firearm always follow proper firearm and local laws.
- SA Consumer Products strongly recommends that you do not store loaded firearms.
- Always follow the firearm safety rules set out by the firearm's manufacturer.
- A Sports Afield Safe or any other firearm storage device cannot take the place of other safety procedures including advising children of the dangers of firearms.
- SA Consumer Products and its distributors of the Sports Afield Safes do not recommend, suggest, advise, promote, or otherwise condone the ownership or use of firearms. We believe the decision to own or use a firearm is a serious decision that should only be made by an adult who has carefully considered the risks and benefits of such a decision.

1. REGISTRATION

Register your safe at www.saproducts.com

By registering your Sports Afield safe we will be able to expedite and address any problems or challenges you may have which would otherwise require a notary letter and proof of payment.

REGISTRATION INFORMATION

The information you record onto this page will be required in the event you cannot access the contents of your Sports Afield Safe. Please fill out all the required information below and retain for your records and safe keeping.

PLEASE HAVE THIS INFORMATION READY PRIOR TO CALLING FOR TECHNICAL ASSISTANCE AT:

Contact Customer Service at cs@saproducts.com or (888) 792-4264

PURCHASE DATE:

PURCHASE PRICE (BEFORE TAX):

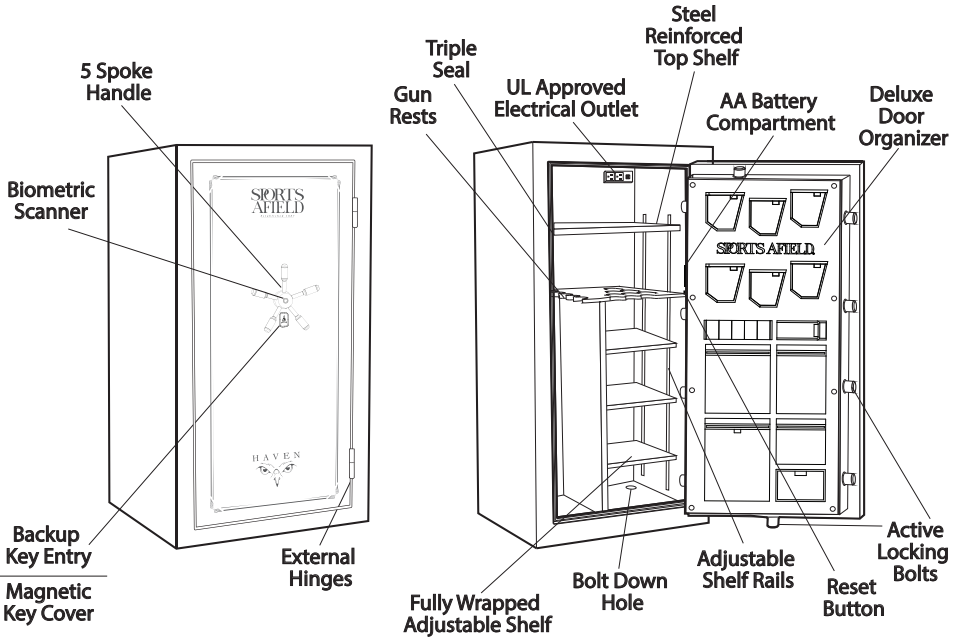
MODEL NUMBER:

SERIAL NUMBER:

RETAILER NAME:

KEY NUMBER (IF APPLICABLE):

2. UNDERSTANDING YOUR SAFE



3. UNBOXING

WARNING: SAFES ARE HEAVY AND CAN BE UNSTABLE ON UNEVEN GROUND. PLEASE ENSURE EXTRA CAUTION WHEN DEALING WITH OR MOVING UNSECURED SAFES. WHILE UNBOXING BE SURE TO HAVE A SECOND PERSON HOLD AND STABILIZE THE SAFE TO KEEP IT FROM TIPPING, CAUSING INJURY, AND/OR DAMAGE TO THE SAFE AND SURROUNDING STRUCTURES.

- Remove the packaging. If your safe is still on shipping feet you can simply lift the box up and off the safe once the strapping has been removed. If your safe does not have shipping feet you will need to carefully remove the box, ensuring not to damage the safe and/or injure yourself. You will want to have someone stabilize the safe when removing the cardboard and other packing material from underneath the safe.

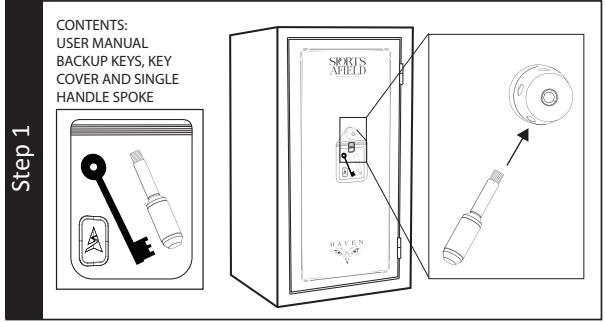
4. INSPECTION

- Make sure to inspect your safe for shipping damage before accepting delivery. If you find any damage, please contact the delivery company (or carrier) immediately.
- Any damage not noted upon delivery must be reported within fifteen (15) days or there will be no recourse. Any noted damage at the time of delivery must be resolved with the delivery company and/or retailer. Shipping damage is not warrantable by SA Consumer Products.

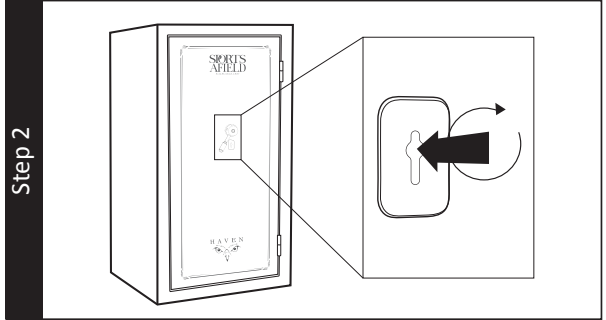
5. INITIAL ENTRY

1. Locate the backup keys, key cover and single handle spoke inside the plastic bag hanging on the front of the safe.

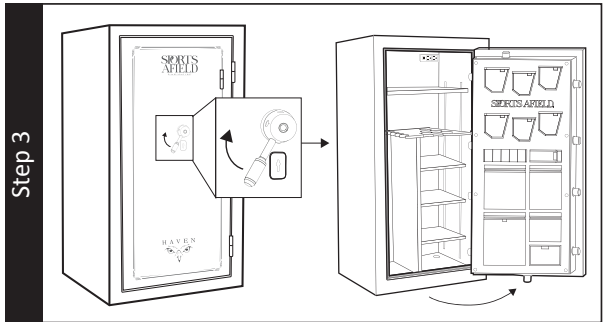
Install the single handle spoke handle by inserting into one of the threaded openings and twisting clockwise until hand tight.



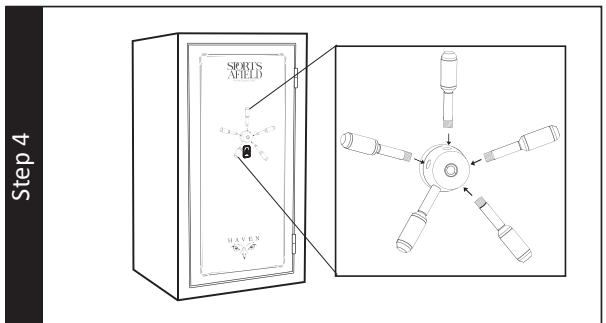
2. Insert and turn the backup key clockwise to unlock.



3. Rotate the handle clockwise until the safe door opens. Once open, turn the handle back to its starting position so the bolts are open and extended. Remove key and set aside.



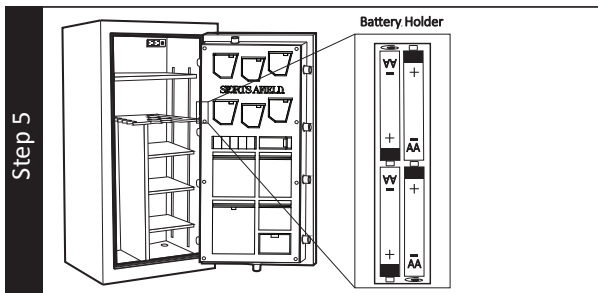
4. Locate the four remaining handle spokes inside of the safe. Insert each individual spoke into a threaded opening of the spindle hub.



5. INITIAL ENTRY (Continued)

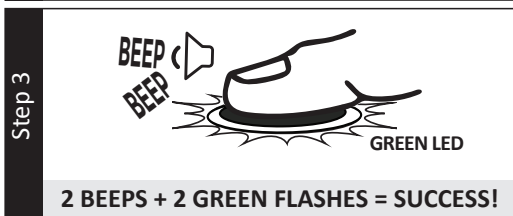
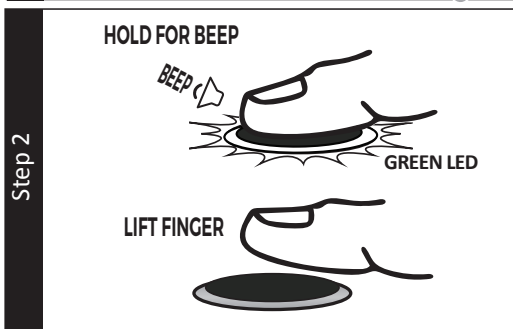
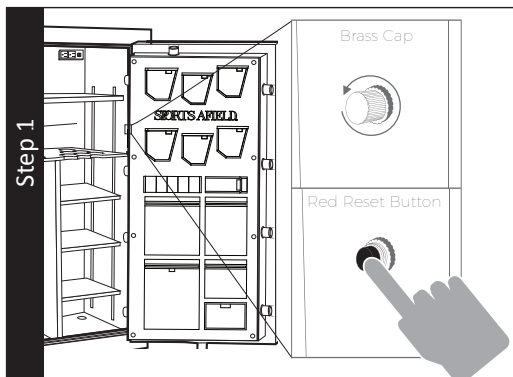
WARNING: The batteries must be inserted with the correct polarity. Exhausted batteries must be removed from the product and discarded safely. Do not mix old and new batteries. Do not use standard (carbon-zinc) or rechargeable (nickel-cadmium) batteries.

5. Locate the (4) AA Alkaline batteries and insert in the battery compartment on the inside of the door panel. Unit will beep when batteries are successfully installed. Replace battery cover.



6. PROGRAMMING YOUR FINGERPRINT

1. On the inside of the safe, near the battery compartment, locate the brass cap. Unscrew and remove the cap. Press the reset button. You will hear 1 beep and the indicator ring will illuminate white on the front of the door indicating that you are now in programming mode. ***Keep safe door open while programming new fingerprint***
2. **PLACE AND HOLD** the pad of your finger on the scanner until indicator ring flashes green once and beeps once.
3. Quickly **REPEAT** Step 2 at least 3 more times until there are 2 consecutive beeps and 2 green flashes. That finger is now programmed.



If unsuccessful, the indicator Ring will flash red 5 times and beep 5 times. Repeat this section again.

Inactivity Timeout: If this programming sequence is not completed within 10 seconds the indicator ring will flash red 5 times and beep 5 times. Return to step 2 to restart this process.

7. ACCESS TEST

With keys in hand, close and lock the door.
PLACE AND HOLD the **PROGRAMMED** finger pad on scanner, indicator ring will flash white 1 time and beep 1 time to alert scanner is activated.



If fingerprint is accepted, indicator ring will illuminate green. You now have access to your safe.

GREEN LED = SUCCESS!

If fingerprint is rejected, the indicator Ring will flash red 5 times and beep 5 times.

*Now that your fingerprint is successfully programmed, re-install the magnetic branding badge and store your backup keys in a secure secondary location outside of the safe.

8. PROGRAMMING ADDITIONAL FINGERPRINTS

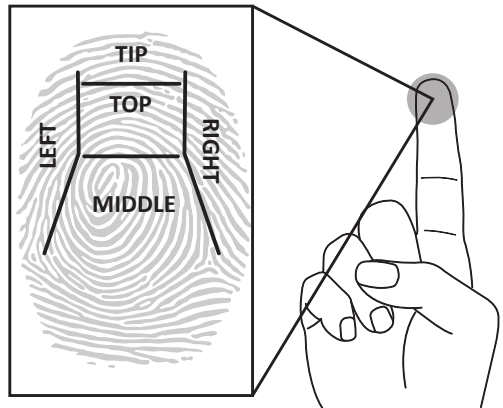
When accessing your safe quickly, there is a chance you might press the scanner with a part of your finger that you have not registered before. For this reason, we recommend programming additional areas of your fingerprint to ensure fast and reliable entry to your safe.

INDIVIDUALLY MAPPING ALL ZONES OF YOUR FINGERPRINT WILL ENSURE A RELIABLE READING BY THE SCANNER.

To ensure each programming sequence is properly captured, the scanner needs to read the exact same place on your finger four times in a row.

This counts as one programmed fingerprint of the 100 fingerprints this unit can keep in memory.

Once programming sequence has been successfully completed you can move onto the next zone of your fingerprint.



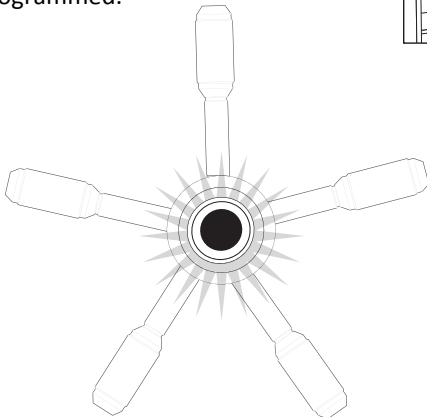
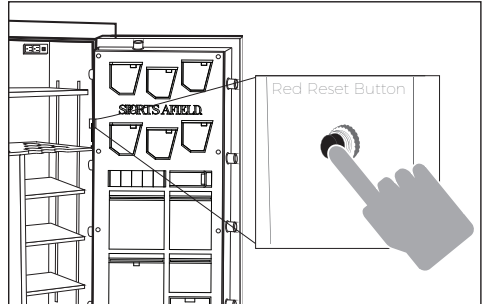
9. TROUBLESHOOTING

In the event that you run into issues with programming and accessing your safe, please read through this section for answers to your questions.

PROBLEM	SOLUTION
THE SCANNER IS NOT READING YOUR FINGERPRINT	Make sure to hold down your finger on the scanner instead of tapping. Scanner needs time to complete the scanning process.
	Fingerprints may lack definition due to excessive skin dryness. We recommend applying moisturizer or slide your fingerprint against your forehead before scanning process.
YOUR PROGRAMMED FINGERPRINT IS NOT READING AT ALL TIMES	Placing a portion of a fingerprint on the scanner that has not been programmed can result in an error. We recommend programming multiple areas of each fingerprint.

10. CLEARING ALL PROGRAMMED FINGERPRINTS

Hold the reset button for 5 seconds. After 5 seconds, the indicator ring will flash green two times and beep two times to signal that all fingerprints have now been cleared. The safe will not open to any fingerprints until a new fingerprint has been programmed.

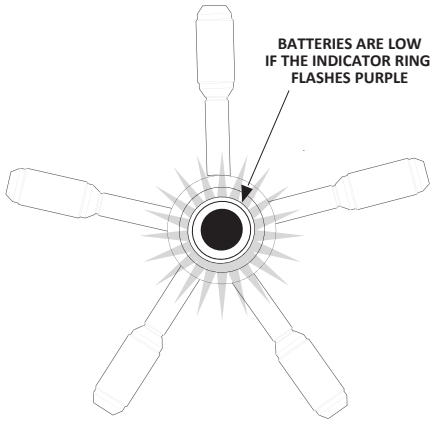


GREEN LIGHT
x2  **x2**

NOTE:

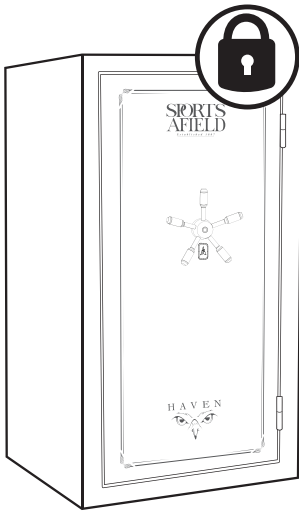
If 100 max fingerprints have already been programmed the indicator ring will flash 5 times and beep 5 times. We recommend clearing all programmed fingerprints and starting the programming process over.

11. LOW BATTERY WARNING



This safe is equipped to alert you of Low Battery Mode. This Low Battery Warning is initiated immediately after an accepted fingerprint scan. The indicator ring will first illuminate green followed by a 3 second long beep and the indicator ring flashing purple for 3 seconds. It is highly advised to immediately replace the safe's batteries to avoid being locked out of your safe.

12. LOCKOUT MODE / TAMPER PROTECTION

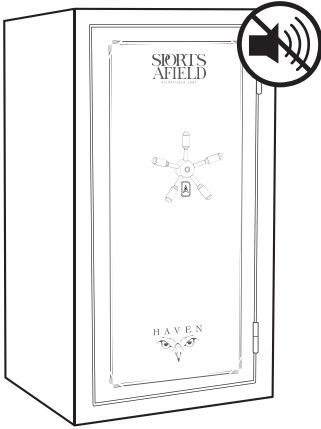


1. Three consecutive rejected scans put the safe in "Basic Lockout" mode. The Bio Scanner is deactivated for 30 seconds.
2. Six consecutive rejected scans result in "Severe Lockout" mode. The Bio Scanner is deactivated for 5 minutes.

Note: During lockout mode, the indicator ring will light up red once every 10 seconds. When lockout mode has ended, the indicator ring will flash green 1 time and you will hear 1 beep . You now have access to your bio scanner.

3. After the safe enters basic or severe lockout mode, the tamper indicator will trigger to warn you that someone has unsuccessfully attempted to gain access to your safe. This tamper indicator will signal immediately after the next successful fingerprint is accepted. The indicator ring will flash red 3 times in addition to a 3 second long beep.

13. SILENT ENTRY MODE



By activating the silent entry mode, the safe will no longer make audible sounds.

To turn on silent entry mode, hold a programmed finger on the scanner for 5 seconds beyond your fingerprint being accepted. The green indicator ring will turn off and back on, but will not beep, indicating you are now in silent entry mode.

You will not hear any sounds for any functions while the safe is in silent entry mode.

To turn the sound back on, hold a programmed finger on the scanner for 5 seconds beyond your fingerprint being accepted. The green indicator ring will turn off and back on and will beep once indicating you are no longer in silent entry mode.

14. INTERIOR LIGHTING

This safe comes with motion activated interior lighting installed. When the safe is plugged into a power source and USB connection of the lighting system is plugged into the internal power receptacle, the lighting will function automatically. When powered on, motion will activate the system and turn on the interior light which will remain on for 30 seconds. Lights will be activated for an additional 30 seconds upon sensing any movement.

15. PROPER PLACEMENT AND MOVING OF SAFE

WARNING: SAFES ARE VERY HEAVY AND AWKWARD TO HANDLE. PLEASE USE THE UTMOST CARE IN MOVING THE SAFE. UTILIZING A TRAINED PROFESSIONAL WITH PROPER MOVING EQUIPMENT IS HIGHLY RECOMMENDED.

The location of the gun safe is very important and the utmost care should be taken during this consideration.

1. To maximize the fire protection of your safe, we recommend you place the safe in lower levels in your home where fire temperatures are lower and away from highly combustible materials.
2. To maximize burglary protection and stability, securing the safe to the floor is recommended.
3. SA Consumer Products recommends that you store your safe in a closet, office, basement, bedroom or any other location that is convenient for you but out of direct line of sight from prying eyes. The location of the gun safe is very important.
4. SA Consumer Products requires the safe is secured to the floor to ensure safe does not tip over in case of a flood.

Using a dolly capable of supporting the size and weight of your safe, move the safe to your desired location. Please take all necessary precautions to protect and prevent any damage to your flooring.

HELPFUL: TO DETERMINE WHETHER YOUR SAFE WILL MAKE IT THROUGH DOORWAYS, STAIRS, OR CORNERS, TAKE THE EMPTY SAFE BOX AND SEE IF IT WILL FIT ALL THE WAY THROUGH TO ITS FINAL LOCATION.

5. The safe should be installed adjacent to a side wall with minimal space on either side of the safe. Wherever possible, the safe should be flat against the wall and floor. Remove the baseboard and/or wall trim if necessary.
6. Always ensure the safe is in an isolated and dry area. Never place the safe in direct contact with a wet floor. When installing your safe on a concrete floor, use of a moisture/protective barrier is highly recommended. Failure to do so, or exposing the safe to chemicals or other adverse environments, may void the warranty.
7. If your safe seems unlevel, you may need to shim the bottom of the safe to prevent the door from swinging open too quickly, or closing on itself.

16. KEEPING YOUR SAFE DRY

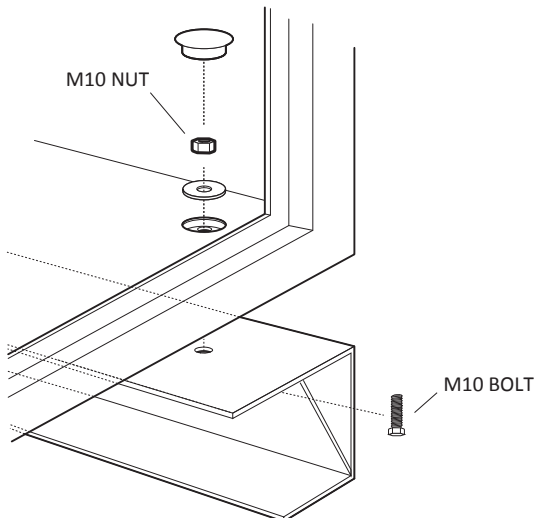
We recommend placing a moisture/protective barrier between your safe and concrete floor to prevent any moisture, mildew and rust damage the safe. Installing your safe in a place with climate control (heat in the winter and cooling in the summer) is highly recommended. In areas of high humidity or frequent temperature fluctuations (garages) it is recommend to take appropriate precautions to ward against moisture damage. We strongly encourage the use of an internal dehumidifier and/or desiccants to protect your contents from rust or mildew. Internal dehumidifiers should not be in direct contact with the side or back walls.

17. SHIPPING SKID REMOVAL

WARNING: WHILE REMOVING THE BOLTS FROM THE SKIDS, BE SURE TO HAVE A PERSON HOLD AND STABILIZE THE SAFE TO KEEP IT FROM TIPPING, CAUSING INJURY, AND/OR DAMAGE TO THE SAFE AND SURROUNDING STRUCTURES.

WARNING: BEFORE REMOVING THE SHIPPING SKIDS, MAKE SURE THE DOOR IS CLOSED AND LOCKED. THE DOOR OF YOUR SAFE IS HEAVY AND PRESENTS A SAFETY HAZARD UNTIL THE SAFE IS BOLTED DOWN OR SECURED PROPERLY.

1. Upon receiving your safe, you may find it attached to metal shipping skids. The skids are secured from the underside of the safe by four bolts. Remove bolts from the right side using a wrench or 11/16" (17mm) socket.
2. With a person stabilizing the safe, carefully tilt the safe to the left and pull the shipping skid on the right side away from the bottom of the safe.
3. With the shipping skid removed from one side of the safe, carefully lower the safe to the floor.
4. Follow the same procedure to remove the remaining shipping skid.

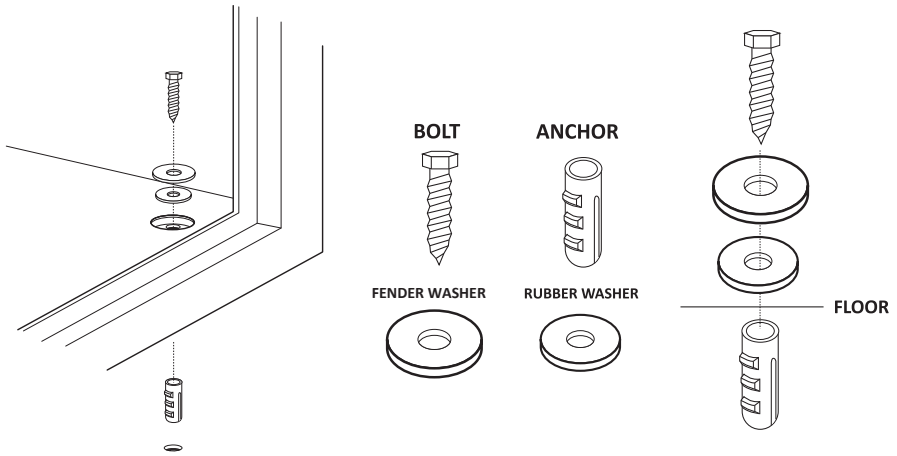


18. SECURING YOUR SAFE

WARNING: YOUR SAFE IS DESIGNED TO SUPPORT ITSELF WHEN THE DOOR IS OPENED. HOWEVER, CAUTION SHOULD BE USED TO AVOID TIPPING. WHILE SECURING YOUR SAFE BE SURE TO HAVE A SECOND PERSON HOLD AND STABILIZE THE SAFE TO KEEP IT FROM TIPPING, CAUSING INJURY, AND/OR DAMAGE TO THE SAFE AND SURROUNDING STRUCTURES. FAILURE TO DO SO WILL COMPROMISE THE SAFETY, SECURITY, AND WARRANTY OF THE SAFE.

TOOLS NEEDED TO BOLT SAFE TO A CONCRETE SURFACE

- DRILL / HAMMER DRILL
- DRILL BIT – 1/2" (for installing into concrete with provided hardware)
- WRENCH / 11/16" (17MM) SOCKET
- HAMMER
- SAFETY GLASSES
- GLOVES
- OTHER SAFETY EQUIPMENT AS NEEDED



1. Use the hardware provided or consult your hardware retailer for fastening hardware for your particular mounting surface.
2. Open your safe door and locate and remove the four black caps on the safe floor. This will provide access to the factory drilled bolt down holes.
3. To secure your safe to the floor it will first be necessary to drill pilot holes in the floor surface.
4. Drill the appropriate diameter and depth of pilot holes based on the type of hardware being used and the type of floor surface. For the hardware provided (concrete floor installation) we recommend using a hammer drill and 1/2" concrete drill bit to drill holes the four corresponding in the concrete floor.
5. Insert and drive the plastic anchoring plugs into the pilot holes. You may need to use a hammer to fully insert the plugs into the pilot holes.
6. Secure the safe, by threading all 4 anchor bolts through the factory drilled bolt down holes in the bottom of the safe and ratcheting down tight.
 - Make sure the metal washer sits on top of the rubber washer. Tighten the bolt to compress the rubber washer between the safe and metal washer. Failure to do so will allow water to enter the safe in the event of a flood.
7. Replace the four black caps onto the floor of the safe.

19. LOADING YOUR SAFE

1. Store documents or heat sensitive items in the bottom of the safe for greatest protection against fire damage.
2. Store ammunition separately from valuables.
3. Do not put anything in your safe that will put pressure against the door when it is closed.
4. Select safe models have reinforced shelving, but as a good safety precaution store heavier items either on the floor of the safe, or away from the middle of the shelves.
5. When placing guns into your safe, make sure they rest securely against the cutouts provided in the gun racks to prevent accidental tipping when the door is closed.

20. MAINTENANCE

The hinges and internal locking mechanism are permanently lubricated, thus needing no maintenance. Opening the door panel of your safe may void your warranty. Always consult our customer service experts prior to doing so.

LIFETIME WARRANTY

SA Consumer Products, Inc. will repair or replace, at their sole discretion, any Sports Afield Gun Safe damaged by fire, forced entry, forced attack or natural flood for the lifetime of the original owner.

SA Consumer Products, Inc. will repair or replace, at their sole discretion, any Sports Afield Gun Safe with defective parts, paint or lock for the lifetime of the original owner.

If SA Consumer Products, Inc. deems a replacement safe is to be sent, they will pay the freight costs to ship the replacement safe to the original owner.

This lifetime warranty is limited to the safe and expressly excludes any loss associated with the contents of the safe.

SA Consumer Products, Inc. reserves the right to receive full evidence of your misfortune, such as a police report and/or homeowners statement of coverage. This warranty is not valid outside of the United States and Canada.

Proof of registration and copy of sales receipt must be on file at the time of claim. Visit our website at www.saproducts.com to register your safe.

Lifetime warranty only applies to the original owner of the safe.

SA Consumer Products, Inc. shall only be responsible and liable when the safe is used in compliance with the directions specified in your new Sports Afield Safe Owner's Manual.

SA Consumer Products, Inc. requires that specific guidelines be followed for repair. The safe will be repaired in-home if possible (to include parts and labor); however, if factory replacement is necessary (at SA Consumer Products, Inc.'s sole discretion), the replacement will be shipped freight prepaid, curbside delivery.

This warranty is inclusive and is in lieu of any and all other warranties, express or implied. Specifically excluded are the warranties of merchantability and fitness for a particular purpose. This warranty is limited to the safe itself and/or its value and does not include consequential damages of any kind including, but not limited to, the contents in and of the safe.