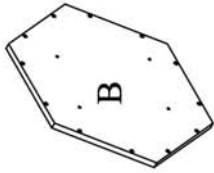
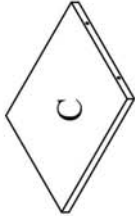


1pc






1pc

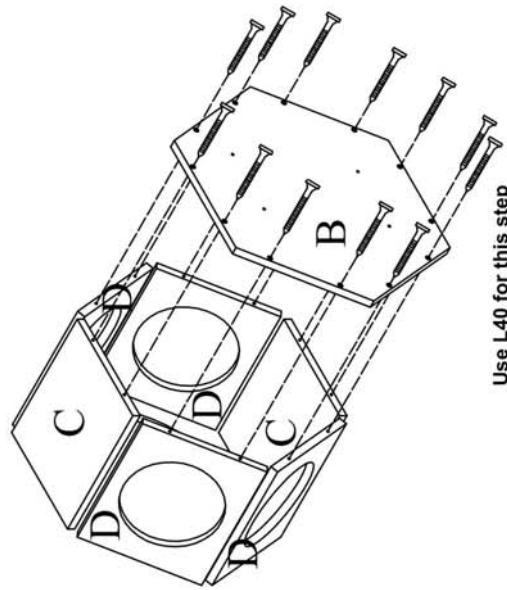
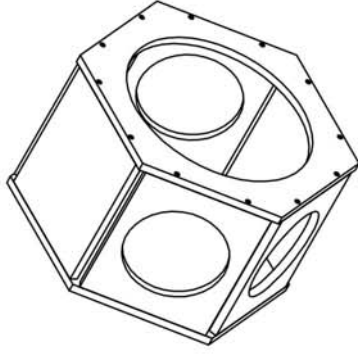


2pcs



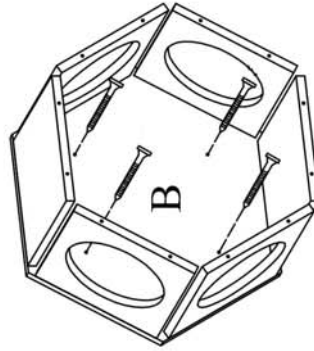
4pcs

Accessory	Size	Quantity
L40 	<ul style="list-style-type: none"> • 1/2" x 1 1/8" • 4mm x 40mm 	24pcs
P32 	—	4pcs
L50 	<ul style="list-style-type: none"> • 1/2" x 2" • 4mm x 50mm 	4pcs



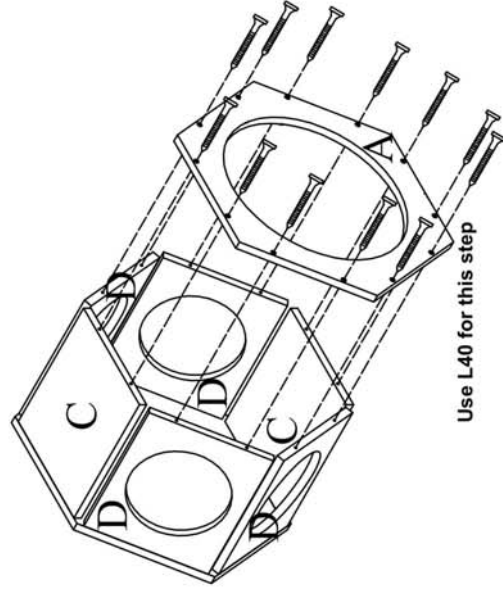
Use L40 for this step

step1



Use L50 for this step
Use P32 if needed for drywalls.

step2



Use L40 for this step

step3