

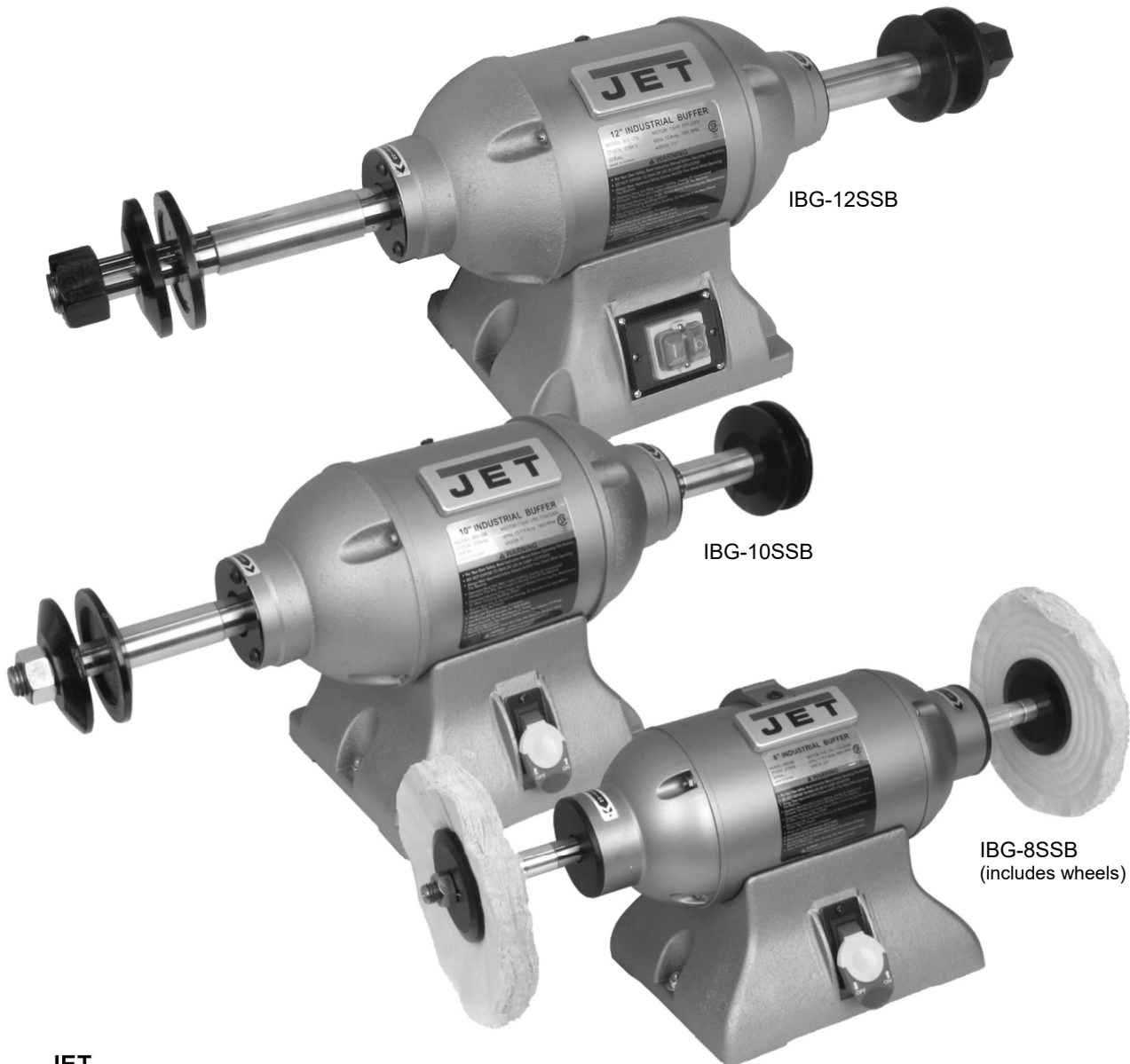


Record purchase information:

Model No.:	Stock No.:
Serial No.:	
Purchased from:	
Date purchased:	

Operating Instructions and Parts Manual Industrial Buffing Machines

Models IBG-8SSB, IBG-10SSB, IBG-12SSB



JET
427 New Sanford Road
LaVergne, Tennessee 37086
Ph.: 800-274-6848
www.powermatic.com

Part No. M-577408
Edition 1 12/2019
Copyright © 2019 Powermatic



1.0 IMPORTANT SAFETY INSTRUCTIONS

WARNING – To reduce risk of injury:

1. Read and understand the entire owner's manual before attempting assembly or operation.
2. Read and understand the warnings posted on the machine and in this manual. Failure to comply with all of these warnings may cause serious injury.
3. Replace warning labels if they become obscured or removed.
4. This buffer is designed and intended for use by properly trained and experienced personnel only. If you are not familiar with the proper and safe operation of a buffer, do not use until proper training and knowledge have been obtained.
5. Do not use this buffer for other than its intended use. If used for other purposes, JET disclaims any real or implied warranty and holds itself harmless from any injury that may result from that use.
6. Always wear protective eye wear when operating machinery. Eye wear shall be impact resistant, protective safety glasses with side shields which comply with ANSI Z87.1 specifications. Use of eye wear which does not comply with ANSI Z87.1 specifications could result in severe injury from breakage of eye protection. (Everyday eyeglasses only have impact resistant lenses; they are NOT safety glasses.)
7. Wear proper respiratory protection.
8. Wear proper apparel. Do not wear loose clothing, neckties, rings, bracelets, or other jewelry which may get caught in moving parts. Non-slip footwear is recommended. Wear protective hair covering to contain long hair.
9. Wear protective clothing such as apron or safety shoes, where the work activity presents a hazard to the operator.
10. Wear ear protectors (plugs or muffs) if the particular work requires it.
11. Do not operate this machine while tired or under the influence of drugs, alcohol or any medication.
12. Make certain the switch is in the OFF position before connecting the machine to the power supply.
13. Make certain the machine is properly grounded.
14. Make all machine adjustments or maintenance with the machine unplugged from the power source.
15. Remove adjusting keys and wrenches. Form a habit of checking to see that keys and adjusting wrenches are removed from the machine before turning it on.
16. Keep safety guards in place at all times when the machine is in use. If removed for maintenance purposes, use extreme caution and replace the guards immediately after completion of maintenance.
17. Check damaged parts. Before further use of the machine, a guard or other part that is damaged should be carefully checked to determine that it will operate properly and perform its intended function. Check for alignment of moving parts, binding of moving parts, breakage of parts, mounting and any other conditions that may affect its operation. A guard or other part that is damaged should be properly repaired or replaced.
18. Provide for adequate space surrounding work area and non-glare, overhead lighting.
19. Keep the floor around the machine clean and free of scrap material, oil and grease.
20. Keep visitors a safe distance from the work area. Keep children away.
21. Make your workshop child proof with padlocks, master switches or by removing starter keys.
22. Give your work undivided attention. Looking around, carrying on a conversation and "horse-play" are careless acts that can result in serious injury.
23. Keep proper footing and balance at all times so that you do not fall into or lean against the buffing wheel or other moving parts. Do not overreach or use excessive force to perform any machine operation.
24. Disconnect buffer from power source before servicing and when changing wheels.
25. Use recommended accessories. The use of improper accessories may cause risk of injury to persons.
26. Turn off the machine before cleaning. Use a brush to remove chips or debris — do not use bare hands.
27. Never leave the buffer running unattended. Turn power off and do not leave machine until wheels come to a complete stop.
28. Remove loose items and unnecessary work pieces from the area before starting the buffer.
29. Don't use in dangerous environment. Don't use power tools in damp or wet location, or expose them to rain. Don't use this buffer in a flammable environment. Keep work area well lighted.
30. Keep work area clean. Cluttered areas and benches invite accidents.
31. Use the right tool. Don't force tool or attachment to do a job for which it was not designed.

32. Use proper extension cord. Make sure your extension cord is in good condition. When using an extension cord, be sure to use one heavy enough to carry the current your product will draw. An undersized cord will cause a drop in line voltage resulting in loss of power and overheating. Table 2 (see sect. 6.2) shows the correct size to use depending on cord length and nameplate ampere rating. If in doubt, use the next heavier gage. The smaller the gage number, the heavier the cord.
33. Maintain tools with care. Keep tools sharp and clean for best and safest performance. Follow instructions for lubricating, and changing accessories.
34. Only apply workpiece to lower half of buffing wheel.
35. Do not overtighten wheel nut.
36. Use buffing wheel suitable for speed of machine.
37. Do not crowd the work so that the wheels slow.
38. Use only the flanges that are furnished with the buffer.
39. Do not start the buffer while a workpiece is contacting a buffing wheel.

⚠ WARNING: This product can expose you to chemicals including lead which is known to the State of California to cause cancer and birth defects or other reproductive harm. For more information go to <http://www.p65warnings.ca.gov>.

⚠ WARNING: Some dust, fumes and gases created by power sanding, sawing, grinding, drilling, welding and other construction activities contain chemicals known to the State of California to cause cancer and birth defects or other reproductive harm. Some examples of these chemicals are:

- lead from lead based paint
- crystalline silica from bricks, cement and other masonry products
- arsenic and chromium from chemically treated lumber

Your risk of exposure varies, depending on how often you do this type of work. To reduce your exposure to these chemicals, work in a well-ventilated area and work with approved safety equipment, such as dust masks that are specifically designed to filter out microscopic particles. For more information go to <http://www.p65warnings.ca.gov/> and <http://www.p65warnings.ca.gov/wood>.

SAVE THESE INSTRUCTIONS

Familiarize yourself with the following safety notices used in this manual:

⚠ CAUTION

This means that if precautions are not heeded, it may result in minor injury and/or possible machine damage.

⚠ WARNING

This means that if precautions are not heeded, it may result in serious, or possibly even fatal, injury.

2.0 Table of contents


Section	Page
1.0 IMPORTANT SAFETY INSTRUCTIONS	2
2.0 Table of contents	4
3.0 About this manual	5
4.0 Specifications	6
4.1 Mounting hole dimensions	7
5.0 Setup and assembly	8
5.1 Unpacking	8
5.2 Carton contents	8
5.3 Tools required for assembly	8
5.4 Securing the buffer	8
5.5 Buffing wheels	8
6.0 Electrical connections	8
6.1 GROUNDING INSTRUCTIONS	9
6.2 Extension cords	9
6.3 Voltage conversion	9
7.0 Operation	10
7.1 On/Off Switch	10
7.2 General procedure	10
8.0 User-maintenance	10
8.1 Changing Wheels	10
8.2 Wheel balancing	11
8.3 Buffer maintenance	11
8.4 Additional servicing	11
9.0 Troubleshooting IBG-SSB series Buffers	12
10.0 Optional accessories	13
11.0 Replacement Parts	13
11.1.1 IBG-8SSB Buffer – Exploded View	14
11.1.2 IBG-8SSB Buffer – Parts List	15
11.2.1 IBG-10SSB Buffer – Exploded View	16
11.2.2 IBG-10SSB Buffer – Parts List	17
11.3.1 IBG-12SSB Buffer – Exploded View	18
11.3.2 IBG-12SSB Buffer – Parts List	19
12.0 Electrical Connections	20
12.1 Wiring diagram for IBG-8SSB	20
12.2 Wiring diagram for IBG-10SSB	21
12.3 Wiring diagram for IBG-12SSB	22
13.0 Warranty and Service	23

3.0 About this manual

This manual is provided by JET, covering the safe operation and maintenance procedures for the JET IBG-SSB series Buffing Machines. This manual contains instructions on installation, safety precautions, general operating procedures, maintenance instructions and parts breakdown. Your buffer has been designed and constructed to provide consistent, long-term operation if used in accordance with the instructions set forth in this document.

If there are questions or comments, please contact your local supplier or JET. JET can also be reached at our web site: www.jettools.com.

Retain this manual for future reference. If the buffer transfers ownership, the manual should accompany it.

 **WARNING Read and understand the entire contents of this manual before attempting assembly or operation! Failure to comply may cause serious injury!**

Register your product using the mail-in card provided, or register online:

<http://www.jettools.com/us/en/service-and-support/warranty/registration/>

4.0 Specifications

Table 1

Model number	IBG-8SSB	IBG-10SSB	IBG-12SSB
Stock number	577408	578410	578412
Motor and Electricals			
Motor type	Induction, capacitor start, centrifugal switch		
Horsepower (true output)	1 HP	1-1/2 HP	2 HP
Motor phase	single		
Voltage	115/230V (prewired 115V)		230V only
Cycle	60 Hz		
Listed FLA (full load amps)	11 / 5.5 A	15 / 7.5 A	12 A
Start capacitor	200MFD 125VAC	400MFD 125VAC	
Run capacitor	35µF 250V	45µF 350V	20µF 350V
On/off switch	Toggle switch with safety key 125/250V, 20A/12A		Push button, magnetic switch, 250V, 16A
Motor speed	3600 RPM	1800 RPM	
Power cord	16AWG x 3C SJT, 6 ft. (182 cm)		14AWG x 3C SJT, 6ft. (182 cm)
Power plug installed	5-15P, 125V/15A		6-15P, 250V/15A
Minimum recommended circuit size ¹	15A		
Sound emission without load ²	75 dB at 3 ft.		
Arbor and buffing wheels			
Arbor diameter	5/8 in. (16mm)	1 in. (25.4mm)	1-1/4 in. (31.75mm)
Arbor thread	5/8" – 11UNC	1" – 8UNC	1-1/4" – 7UNC
Buffing wheel size (OD x width x bore)	8 x 1/2 x 5/8 in. (203.2 x 12.7 x 16 mm)	not provided	
Wheel material	Woven cotton: spiral sewn and half-spiral sewn	not provided	
Wheel flange diameter	3-3/8 in. (85 mm)	4-1/8 in. (104.8 mm)	
Spacers length	1/2, 5/8, 1 in. (13, 16, 25mm)	2, 1, 1/2 in. (51, 25.5, 12.7 mm)	3-1/8, 2, 1, 1/2 in. (79.5, 51, 25.5, 12.7 mm)
Wheel speed	3600 RPM	1800 RPM	
Main materials			
Arbor	Steel		
Base	Cast iron		
Motor housing	Sheet metal	Cast iron	
End cover	Aluminum	Cast iron	
Flange washers	Cast iron		
Dimensions			
Distance between mounting holes (centers)	8-15/32 in. (215mm)	8-3/4 in. (222.25 mm)	
Mounting hole diameters	7/16 in. (11mm)		
Base footprint (WxD)	9-1/2 x 8-1/16 in. (241.6 x 205 mm)	10 x 9-21/32 in. (254 x 245.3 mm)	
Assembled dimensions (LxWxH)	23-11/32 x 8-21/32 x 9-17/32 in. (593 x 220 x 242 mm)	30 x 9-11/16 x 11-7/8 in. (762 x 246 x 302 mm)	35-29/32 x 9-11/16 x 11-7/8 in. (912 x 246 x 302 mm)
Shipping dimensions (LxWxH)	26-1/2 x 10-5/16 x 11-25/32 in. (680 x 260 x 330 mm)	33-27/32 x 12-19/32 x 15-11/32 in. (860 x 320 x 390 mm)	40-5/32 x 12-19/32 x 15-11/32 in. (1020 x 320 x 390 mm)
Weights			
Net weight	38 lbs. (17.20 kg)	72 lbs. (32.75 kg)	86 lbs. (39.14 kg)
Shipping weight	44 lbs. (20.15 kg)	80 lbs. (36.53 kg)	97 lbs. (43.89 kg)

¹ subject to local/national electrical codes.

² The specified values are emission levels and are not necessarily to be seen as safe operating levels. As workplace conditions vary, this information is intended to allow the user to make a better estimation of the hazards and risks involved only.

L = length, W = width, H = height, D = depth

n/a = not applicable

The specifications in this manual were current at time of publication, but because of our policy of continuous improvement, JET reserves the right to change specifications at any time and without prior notice, without incurring obligations.

4.1 Mounting hole dimensions

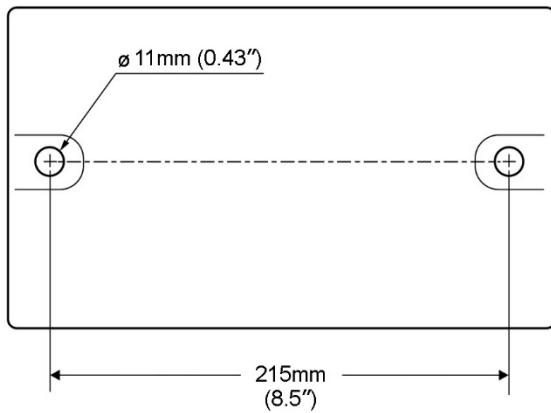


Figure 4-1: **IBG-8SSB**

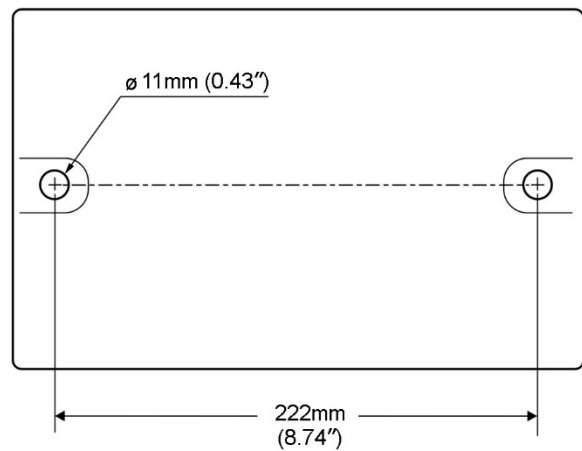


Figure 4-2: **IBG-10SSB and IBG-12SSB**

5.0 Setup and assembly

5.1 Unpacking

Separate all parts from the packing material. Check each part against *sect. 5.2, Carton contents*, and make certain that all items are accounted for before discarding any packing material. (Check buffer to verify if any parts have been pre-mounted.)

5.2 Carton contents

- 1 Buffing machine
- 2 Buffing wheels (IBG-8SSB only)
- 4 Flanges
- 1 Spacer kit (contains 3 spacers for IBG-8SSB and IBG-10SSB; 4 spacers for IBG-12SSB)
- 2 Arbor nuts (1 left-hand, 1 right-hand)
- 1 Operating instructions & parts manual
- 1 Product registration card

5.3 Tools required for assembly

Adjustable wrenches, or tongue-and-groove (“channel lock”) pliers

The Buffer requires only the installing of buffing wheels and spacers. Additional fasteners and tools may be needed for mounting the buffer to a workbench or stand. For your safety, do not plug the machine into a power source until all assembly and adjustments are complete.

⚠ WARNING Do not plug in the buffer to power until it is inspected for shipping damage, fully assembled, and moved to its permanent location.

5.4 Securing the buffer

To prevent the machine from moving during operation, it should be securely mounted to a work surface or stand. Fasteners for mounting are not included with the buffer.

1. Align mounting holes on buffer with predrilled holes in a bench or stand. *Sect. 4.1* shows hole centers for mounting.
2. Insert M10 (or 3/8”) bolts through the holes and tighten, using washers and nuts.

An optional pedestal stand (not included) is available from JET for your buffer. See *sect. 10.0*.

IMPORTANT: The buffer’s base plate contains ventilation slots for heat dissipation. These slots should not be obstructed. The rubber feet should be left on the machine when mounting, as they allow air circulation as well as vibration dampening.

5.5 Buffing wheels

1. Disconnect buffer from power source.
2. Install spacers onto each end of arbor as needed for the width of the wheels used.
3. Check the flanges to make sure they are clean and flat. Wheel flanges that are not flat will cause the wheel to wobble.
4. Install inner flange, buffing wheel, and outer flange.
5. Install the right-hand thread nut on right end of arbor; turn clockwise to tighten. Install the left-hand thread nut on left end of arbor, turn *counterclockwise* to tighten. Do not overtighten the nuts. Place a wrench on the flats (next to the housing) of the spindle to keep the spindle stationary while tightening or loosening the nuts.

Note: On the **IBG-8SSB**, the brass-colored nut has left-hand threads; the silver-colored nut has right-hand threads.

See *sect. 8.0* for further information on inspecting and changing wheels.

6.0 Electrical connections

⚠ WARNING Electrical connections should be made by a qualified electrician in compliance with all relevant codes. This tool must be properly grounded. Failure to comply may result in serious or fatal injury.

The **IBG-8SSB** and **IBG-10SSB** Buffers are prewired for 115V single phase power, and are supplied with a plug designed for use on a circuit with a grounded outlet that looks like the one pictured in A, Figure 6-1. These buffers may be converted to 230V single phase power, see *sect. 7.3*.

The **IBG-12SSB** is prewired for 230V only and is supplied with a plug designed for use on a circuit with a grounded outlet that looks like the one pictured in D, Figure 6-1.

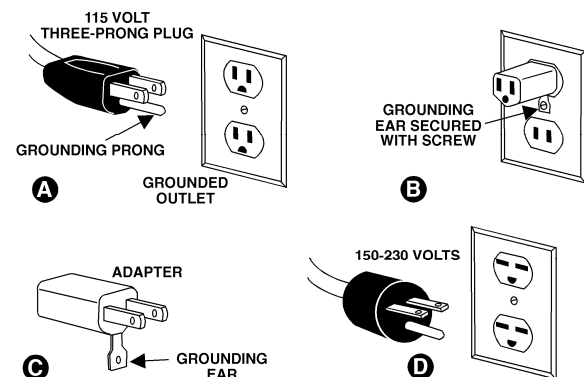


Figure 6-1: plug configurations

It is recommended that the buffer be connected to a minimum 15-amp circuit with circuit breaker or fuse. If using fuses, they should be time-delay fuses marked "D". **Local codes take precedence over recommendations.**

6.1 GROUNDING INSTRUCTIONS

1. All Grounded, Cord-connected Tools:

This tool must be grounded. In the event of a malfunction or breakdown, grounding provides a path of least resistance for electric current to reduce the risk of electric shock. This tool is equipped with an electric cord having an equipment-grounding conductor and a grounding plug. The plug must be plugged into a matching outlet that is properly installed and grounded in accordance with all local codes and ordinances.

Do not modify the plug provided - if it will not fit the outlet, have the proper outlet installed by a qualified electrician.

Improper connection of the equipment-grounding conductor can result in a risk of electric shock. The conductor with insulation having an outer surface that is green with or without yellow stripes is the equipment-grounding conductor. If repair or replacement of the electric cord or plug is necessary, do not connect the equipment-grounding conductor to a live terminal.

⚠WARNING Check with a qualified electrician or service personnel if the grounding instructions are not completely understood, or if in doubt as to whether the tool is properly grounded. Failure to comply may cause serious or fatal injury.

Use only 3-wire extension cords that have 3-prong grounding plugs and 3-pole receptacles that accept the tool's plug.

Repair or replace damaged or worn cord immediately.

2. Grounded, cord-connected tools intended for use on a supply circuit having a nominal rating **less than 150 volts**:

This tool is intended for use on a circuit that has an outlet that looks like the one illustrated in **A**, Figure 6-1. An adapter, shown in **B** and **C**, may be used to connect this plug to a 2-pole receptacle as shown in **B** if a properly grounded outlet is not available. The temporary adapter should be used only until a properly grounded outlet can be installed by a qualified electrician. *This adapter is not permitted in Canada.* The green-colored rigid ear, lug, and the like, extending from the adapter must be connected to a permanent ground such as a properly grounded outlet box.

3. Grounded, cord-connected tools intended for use on a supply circuit having a nominal rating **between 150 - 250 volts, inclusive**:

This tool is intended for use on a circuit that has an outlet that looks like the one illustrated in **D**, Figure 6-1. A grounding plug may be installed, that looks like the plug illustrated in **D**; or the grinder may be "hard-wired" to a panel, provided there is a disconnect for the operator.

Make sure the tool is connected to an outlet having the same configuration as the plug. No adapter is available or should be used with this tool. If the tool must be reconnected for use on a different type of electric circuit, the reconnection should be made by qualified service personnel; and after reconnection, the tool should comply with all local codes and ordinances.

6.2 Extension cords

The use of extension cords is discouraged. Try to position equipment near the power source. If an extension cord becomes necessary, use only three-wire extension cords that have three-prong grounding type plugs and three-prong receptacles that accept the tool's plug. Replace or repair damaged or worn cord immediately.

Make sure your extension cord is good condition, and is heavy enough to carry the current your product will draw. An undersized cord will cause a drop in line voltage resulting in loss of power and overheating.

Table 2 shows the correct size to use depending on cord length and nameplate ampere rating. If in doubt, use the next heavier gage. The smaller the gage number (AWG), the heavier the cord.

Amp rating		Volts	Total length of cord in feet			
More Than	Not More Than	120	25	50	100	150
		240	50	100	200	300
			AWG			
0	6		18	16	16	14
6	10		18	16	14	12
10	12		16	16	14	12
12	16		14	12	Not Recommended	

*Extension Cord Recommendations
Table 2*

6.3 Voltage conversion

To change voltage input to 230-volt on the IBG-8SSB or IBG-10SSB:

1. **Disconnect buffer from power source.**
2. Turn buffer over and remove the base plate.
3. Rewire the leads according to the appropriate diagram in *sect. 12.0*. Reinstall base plate.
4. Remove the existing plug from the power cord and attach a UL/CSA listed plug designed for 230V power.

7.0 Operation

Buffing wheels vary according to material and structure, and range from aggressive wheels that even out high spots and remove surface defects (“cutting”), to finer wheels that bring out the brilliant luster of the metal surface (“coloring”). The buffing wheel surface may be straight or biased (cut at an angle).

The IBG-8SSB only is provided with two buffing wheels: full spiral-sewn wheel for general polishing of metals, and a looser or half spiral-sewn wheel for final polishing and coloring of metals.

A compound (not provided) should be selected for the specific wheel and work to be done. Generally for spiral-sewn cloth wheels, a brown (Tripoli), compound will be used for basic cutting and polishing, followed by a white compound for coloring. Red (Jeweller’s Rouge) compound is often used for further enhancement to gain a mirror-like surface. Consult experienced metalworkers and internet resources for specific recommendations on buffing wheels and their application.

⚠️WARNING Always use approved safety glasses or face shield while operating buffer. Also use appropriate respiratory protection.

7.1 On/Off Switch

IBG-8SSB, IBG-10SSB: Pull up the paddle switch (A, Figure 7-1) to start buffer, push to stop. The safety key (A1) can be removed to prevent unauthorized use of the machine. The safety key must be inserted to restart the machine.

IBG-12SSB: Push green button to start. Push red button to stop.

On all models, when the stop button is pushed, the wheels may take a few moments to completely stop.

Note: After extended operation, the machine housing may be warm to the touch. This is not abnormal.

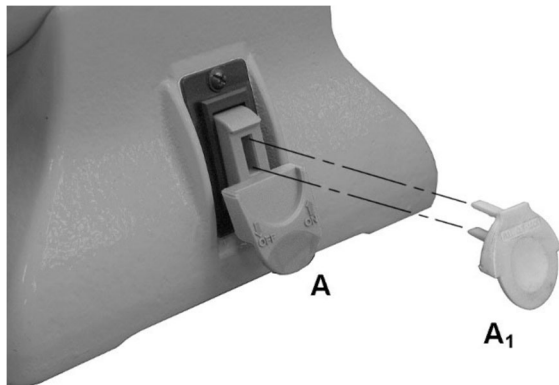


Figure 7-1: safety key (IBG-8SSB, 10SSB only)

7.2 General procedure

1. Turn on buffer and apply compound to lower part of spinning wheel (not the workpiece). Do not apply excessive compound; press compound stick lightly against wheel for only a few seconds. Reapply later as needed.
2. Grip workpiece firmly and press it against *underside* of wheel, that is, the area of wheel that is rotating *away* from the workpiece. See Figure 7-2.

⚠️WARNING Press workpiece to lower half of buffing wheel only. Using upper half of wheel may cause workpiece to catch and could result in injury.

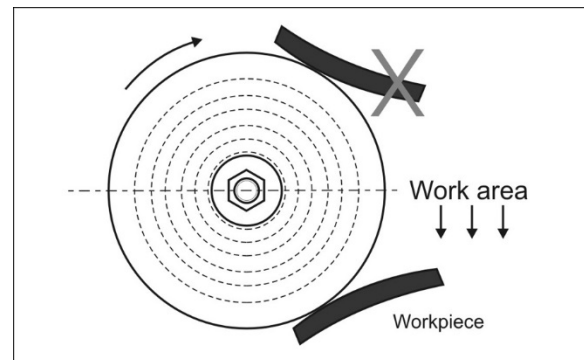


Figure 7-2

8.0 User-maintenance

For safety, unplug machine from power source receptacle before adjusting or performing any maintenance. If the power cord is worn, cut or damaged in any way, have it replaced immediately.

Motor bearings are permanently lubricated and sealed at the factory and require no additional attention.

Periodically clean accumulated dust or debris away from areas such as the on/off switch. Do not allow dust and debris to build up beneath the machine.

Periodically wipe the shafts clean with a soft rag, and wipe on a light application of SAE 20, or basic machine tool oil, to inhibit rust.

8.1 Changing Wheels

When replacing a buffing wheel, obtain one with a safe rated speed at least as high as the maximum RPM of the buffing machine. See sect. 4.0 for the RPM specification for your model.

The spacers on the shaft allow for different configurations and widths of buffing wheel.

⚠️WARNING The use of any other accessory is not recommended and may result in serious injury.

8.2 Wheel balancing

With the buffer **unplugged from the power source**, and arbor nuts snugged down, rotate wheels by hand and observe their motion.

A buffing wheel has proper balance when:

1. The wheel's outside face spins true and round; that is, its circumference rotates concentric to the arbor.
2. There is no side-to-side wobble.

8.2.1 Adjusting concentricity

If the outside face is not rotating concentric to arbor, try shifting the wheel closer to arbor centerline before tightening the nut.

A wheel rake (not provided) may also be used to shape the buffing wheel for better concentric rotation.

8.2.2 Correcting side-to-side wobble

The IBG-SSB series Buffers have large, machined flanges, making wobble unlikely if a good quality buffing wheel is used. Should a wheel exhibit need for adjustment:

1. Loosen nut and rotate the outer flange a little. Snug the nut and spin the wheel by hand to check.
2. If wobble still exists, continue repeating step 1, rotating outer flange incrementally in the same direction. Make sure to keep the wheel in the same position each time.
3. If complete rotation of outer flange has proved ineffective, remove nut, outer flange, and wheel (keep wheel in same orientation by placing a pencil mark on it somewhere for reference). Then rotate inner flange about 90° and repeat the above steps for the outer flange.
4. Continue this combination of flange movements until the wobble is eliminated.

If required, a shim made of paper or card stock may be placed between flange and wheel side.

NOTE: Slight wobble may still exist at spin-up and spin-down, but will not affect normal speed operation.

8.3 Buffer maintenance

Periodically use a wheel rake (not provided) to clean and shape the buffing wheels.

8.4 Additional servicing

Any additional servicing on the buffer machine should be performed by an authorized service representative.

9.0 Troubleshooting IBG-SSB series Buffers

Table 3

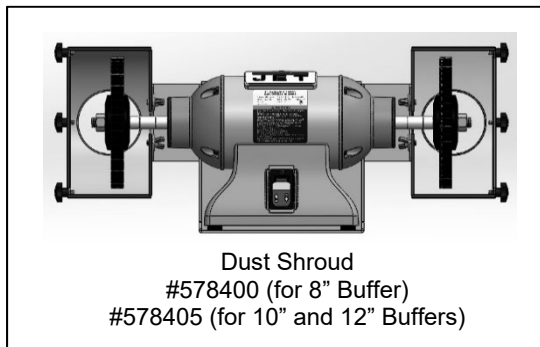
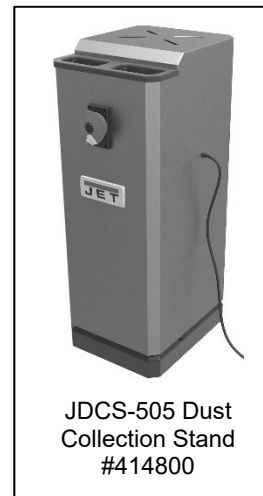
* **WARNING:** Some corrections may require a qualified electrician.

Symptom	Possible Cause	Correction *
Motor will not start.	Not connected to power source.	Verify that plug is properly inserted into receptacle.
	Motor cord cut or abraded.	Replace with new cord.
	Wheels cannot rotate because of obstruction.	Unplug and turn wheel by hand to ensure free movement. Restart.
	Plug on cord is faulty.	Replace with new plug.
	Low line voltage.	Check power line for proper voltage.
	Fuse blown or circuit breaker open.	Re-set fuses/breaker.
	Faulty switch.	Replace switch.
	Start capacitor faulty.	Replace start capacitor.
	Motor fault.	Contact JET technical service.
Motor will not start; fuses blow or circuit breaker trips.	Too many electrical machines running on same circuit.	Turn off other machines and try again.
	Incorrect fuse.	Use time-delay fuse, or go to circuit with higher rated fuse or breaker.
	Wheels cannot rotate because of obstruction.	Unplug and turn wheel by hand to ensure free movement. Clear any obstructions and restart.
	Undersized extension cord.	Use correct size extension cord.
	Short circuit in line cord or plug.	Inspect cord or plug for damaged insulation and shorted wires.
	Short circuit in motor or loose connections.	Inspect all connections on motor for loose or shorted terminals or worn insulation.
Motor fails to develop full power.	Low line voltage.	Check power line for proper voltage.
	Run capacitor faulty.	Replace capacitor.
	Faulty motor.	Contact JET technical service.
Motor overheats.	Motor overloaded.	Reduce pressure against wheel. Make sure wheel is appropriate for the job.
Motor stalls, resulting in blown fuses or tripped circuit.	Motor overloaded.	Reduce load on motor; do not press so hard.
	Capacitor failure.	Contact JET technical service.
	Short circuit in motor or loose connections.	Inspect connections on motor for loose or shorted terminals or worn insulation.
	Low voltage.	Correct the low voltage conditions.
	Incorrect fuses or circuit breaker in power line.	Install correct fuse or breaker.
Motor slows.	Motor overloaded.	Reduce load to motor; do not press so hard.
	Low line voltage.	Check power line for proper voltage.
	Loose electrical connections.	Inspect connections.
Frequent fuse or circuit breaker failure.	Motor overload.	Reduce load to motor; do not press so hard.
	Electrical circuit overload; too many machines running on same circuit.	Turn off other machines and try again.
	Incorrect fuse or circuit breaker.	Have electrician upgrade service to outlet.

Symptom	Possible Cause	Correction *
Excessive vibration.	Wheel(s) out of balance; wobbling or not rotating concentric to arbor.	Rake the wheel or replace it. Adjust wobble by rotating flange as needed.
	Improper mounting.	Secure machine firmly to bench or stand.

10.0 Optional accessories

These accessory items, purchased separately, are available for your JET buffer. Contact your dealer to order, or call JET at the phone number on the cover.

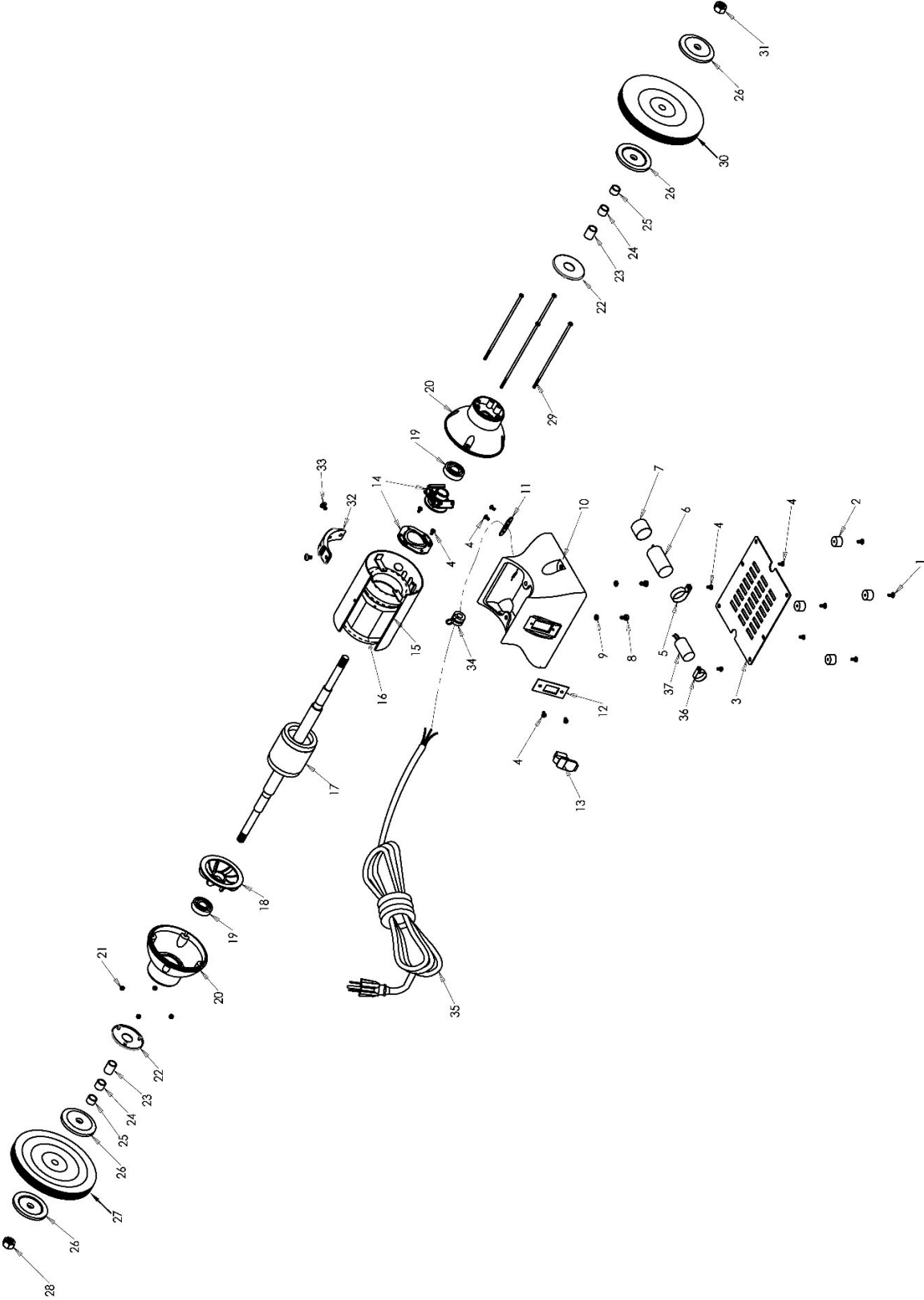


11.0 Replacement Parts

Replacement parts are listed on the following pages. To order parts or reach our service department, call 1-800-274-6848 Monday through Friday, 8:00 a.m. to 5:00 p.m. CST. Having the Model Number and Serial Number of your machine available when you call will allow us to serve you quickly and accurately.

Non-proprietary parts, such as fasteners, can be found at local hardware stores, or may be ordered from JET. Some parts are shown for reference only, and may not be available individually.

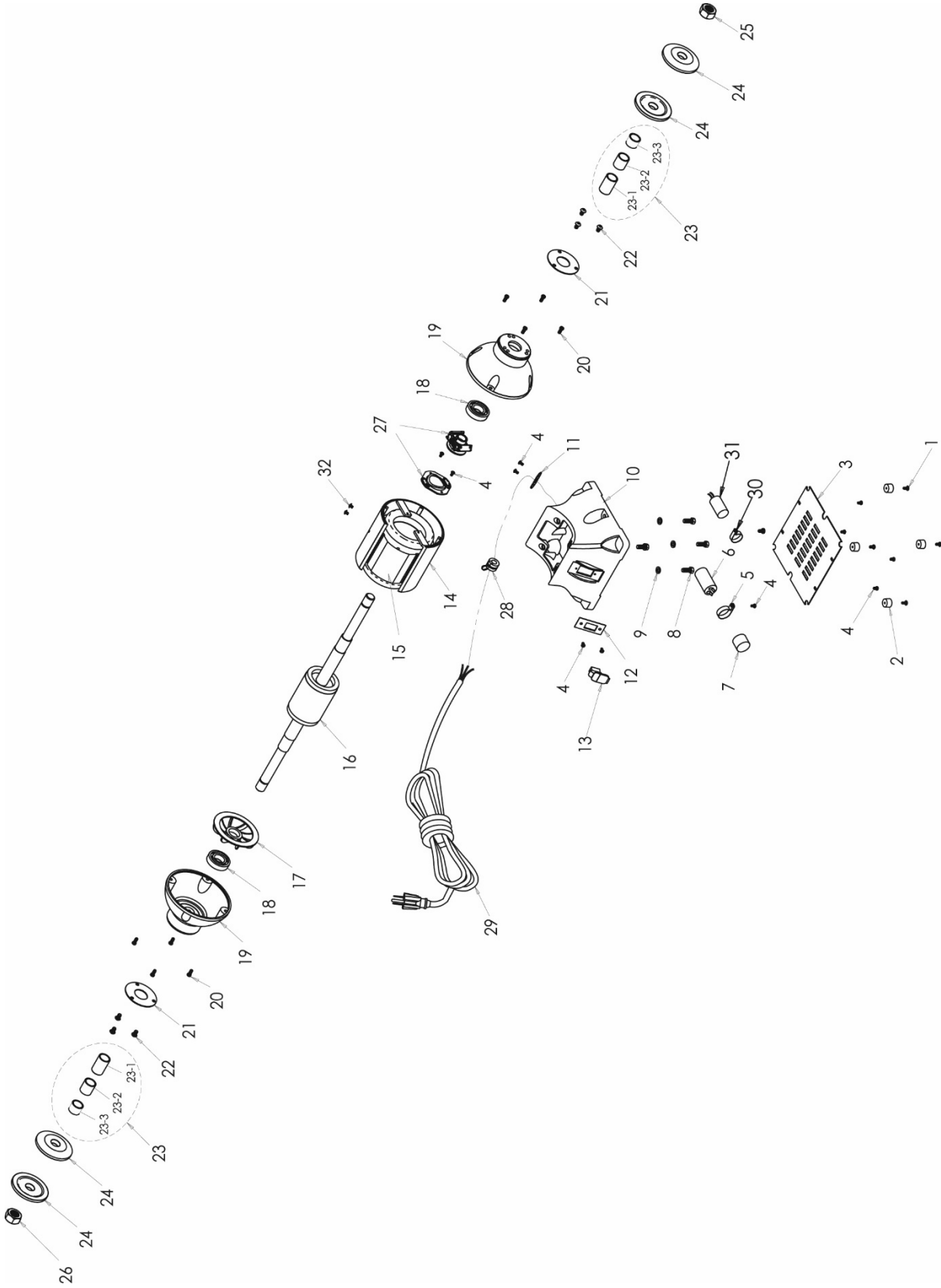
11.1.1 IBG-8SSB Buffer – Exploded View



11.1.2 IBG-8SSB Buffer – Parts List

Index No.	Part No.	Description	Size	Qty
1	IBG8-01	Truss Head Screw	3/16"-24 x 1/4"	4
2	IBG8-02	Rubber Pad		4
3	IBG8-03	Base Plate		1
4	IBG8-04	Truss Head Screw	3/16"-24 x 3/8"	10
5	IBG8-05	Capacitor Bracket		1
6	IBG8-06	Start Capacitor	200MFD, 125VAC	1
7	IBG8-07	Capacitor Cover		1
8	TS-0050021	Hex Cap Screw	1/4"-20 x 5/8"	2
9	TS-0720071	Lock Washer	1/4"	2
10	IBG8-10	Base		1
11	IBG8-11	Cord Plate		1
12	IBG8-12	Switch Plate		1
13	IBG8-13	Switch with Safety Key		1
	IBG8-13-1	Safety Key		1
14	IBG8-41	Centrifugal Switch Assembly		1
15	IBG8-14	Motor Housing		1
16	IBG8-15	Stator		1
17	IBG8SSB-17	Rotor with Shaft		1
18	IBG8-17	Motor Fan		1
19	BB-6204ZZ	Ball Bearing	6204ZZ	2
20	IBG8-19	End Bell		2
21	TS-1540031	Hex Nut	M5	4
22	IBG8VSB-22	End Cap		2
23	IBG8VSB-23	Spacer	L 25mm	2
24	IBG8VSB-24	Spacer	L 16mm	2
25	IBG8VSB-25	Spacer	L 13mm	2
26	IBG8-22	Wheel Flange	4-1/8" OD, 5/8" ID	4
27	IBG8VSB-27	Buffing Wheel (full spiral sewn)	Ø8" x W 1/2" x B 5/8"	1
28	IBG8-24	Hex Nut (LH Thread)	5/8"-11UNC LH	1
29	IBG8-42	Screw	M5 x 0.8 x 205	4
30	IBG8VSB-30	Buffing Wheel (half spiral sewn)	Ø8" x W 1/2" x B 5/8"	1
31	IBG8-44	Hex Nut (RH Thread)	5/8"-11UNC	1
32	IBG8-50	Lamp Fixed Bracket		1
33	F000297	Phillips Pan Hd Machine Screw	1/4"-20 x 3/8"	2
34	IBG8-47	Strain Relief		1
35	IBG8-46	Power Cord with 15A Plug	16AWG x 3C SJT	1
36	IBG8-48	Capacitor Bracket		1
37	IBG8-49	Running Capacitor	35µF, 250V	1
	LM000410	ID/Warning Label, IBG-8SSB (not shown)		1
	JET-92-73R	JET Logo (not shown)	92x38mm	1

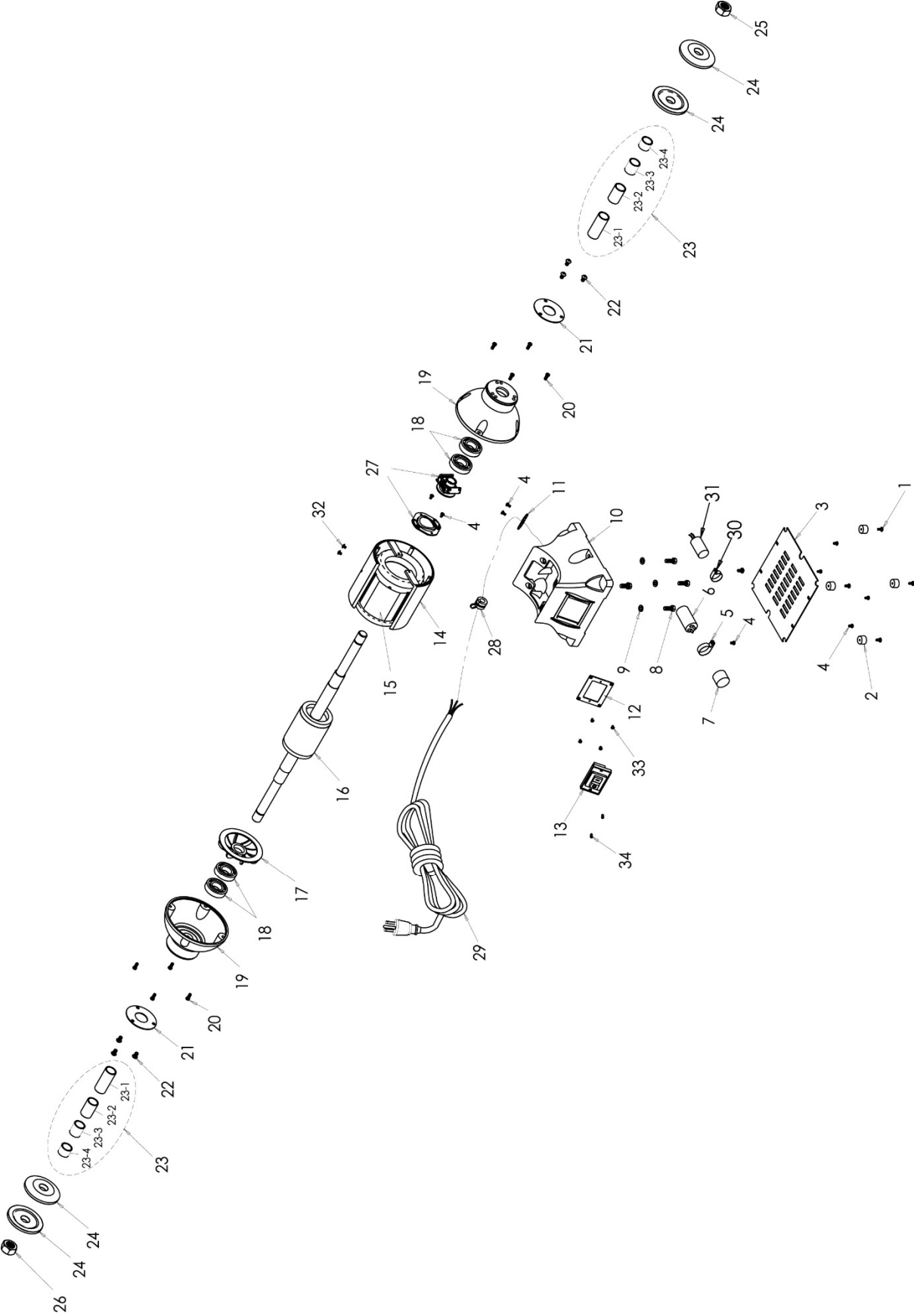
11.2.1 IBG-10SSB Buffer – Exploded View



11.2.2 IBG-10SSB Buffer – Parts List

Index No.	Part No.	Description	Size	Qty
1	IBG8-01	Truss Head Screw	3/16"-24 x 1/4"	4
2	IBG10-02	Rubber Pad		4
3	IBG10-03	Base Plate		1
4	IBG8-04	Truss Head Screw	3/16"-24 x 3/8"	12
5	IBG10-05	Capacitor Bracket		1
6	IBG10-06	Start Capacitor	400MFD, 125VAC	1
7	IBG10-07	Capacitor Cover		1
8	TS-0060051	Hex Cap Screw	3/8"-16 x 1"	4
9	TS-0720091	Lock Washer	3/8"	4
10	IBG10-10	Base		1
11	IBG8-11	Cord Plate		1
12	IBG10-12	Switch Plate		1
13	IBG8-13	Switch with Safety Key		1
	IBG8-13-1	Safety Key		1
14	IBG10-14	Motor Housing		1
15	IBG10-15	Stator		1
16	IBG10SSB-16	Rotor with Shaft		1
17	IBG10-17	Motor Fan		1
18	BB-6206ZZ	Ball Bearing	6206ZZ	2
19	IBG10-19B	End Bell		2
20	IBG8-26	Truss Head Screw	1/4"-20 x 3/4"	8
21	IBG10SSB-21	End Cap		2
22	TS-0255011	Socket HD Button Screw	5/16" x 3/8"	6
23	IBG10SSB-23	Spacer Kit (includes #23-1 thru 23-3)		1
23-1	IBG10SSB-23-1	Spacer	L 2"	2
23-2	IBG10SSB-23-2	Spacer	L 1"	2
23-3	IBG10SSB-23-3	Spacer	L 1/2"	2
24	IBG10-24	Wheel Flange	4-1/8" OD, 1" ID	4
25	IBG10-45	Hex Nut (Right Hand Thread)	1"-8UNC	1
26	IBG10-26	Hex Nut (Left Hand Thread)	1"-8UNC LH	1
27	IBG10-43	Centrifugal Switch Assembly		1
28	IBG10-48	Strain Relief		1
29	IBG10-47	Power Cord		1
30	IBG10-50	Capacitor Bracket		1
31	IBG10-51	Running Capacitor	45μF, 350VAC	1
32	F000297	Phillips Pan HD Machine Screw	1/4"-20 x 3/8"	2
	LM000411	ID/Warning Label, IBG-10SSB (not shown)		1
	JET-113-93R	JET Logo (not shown)	113x47mm	1

11.3.1 IBG-12SSB Buffer – Exploded View

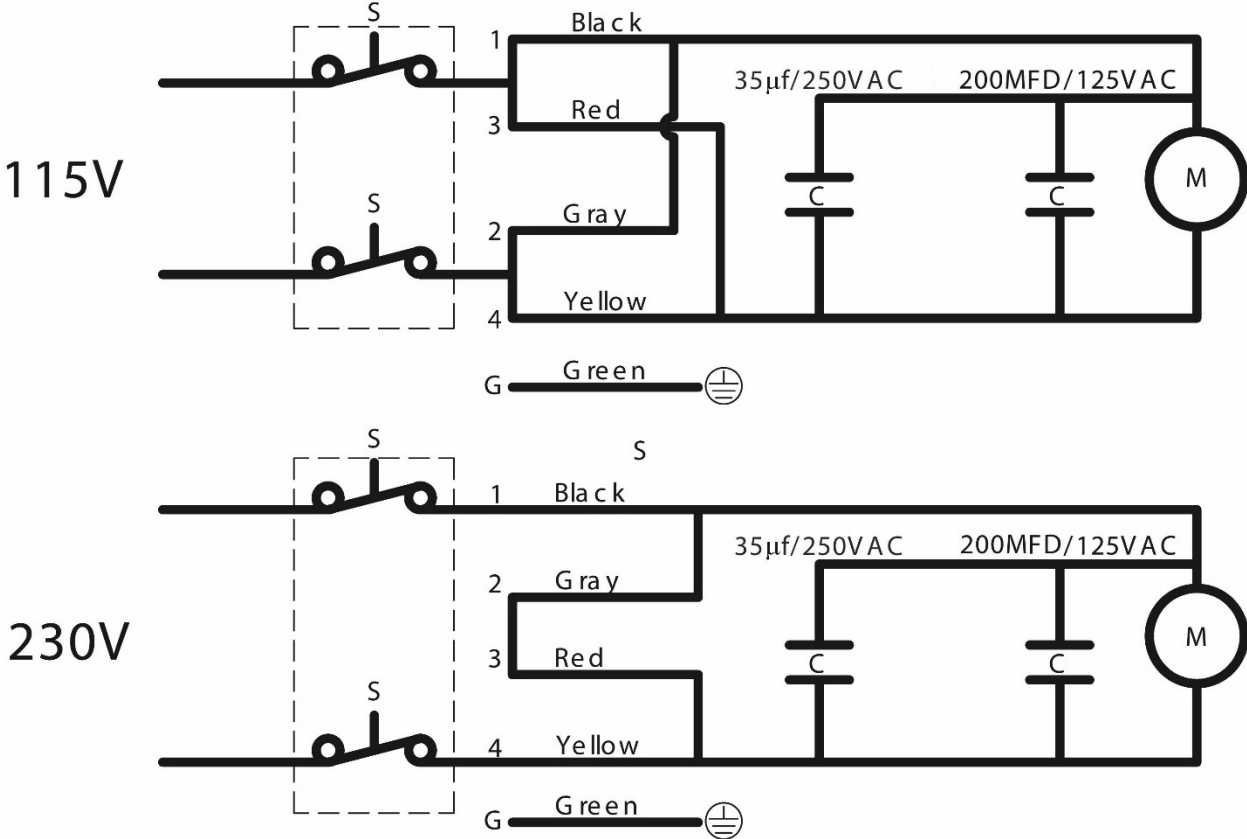


11.3.2 IBG-12SSB Buffer – Parts List

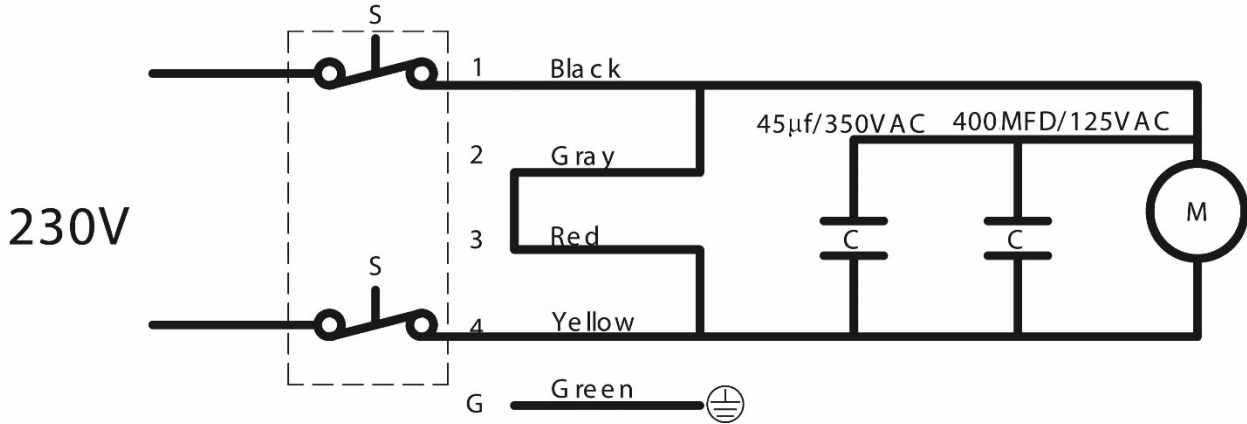
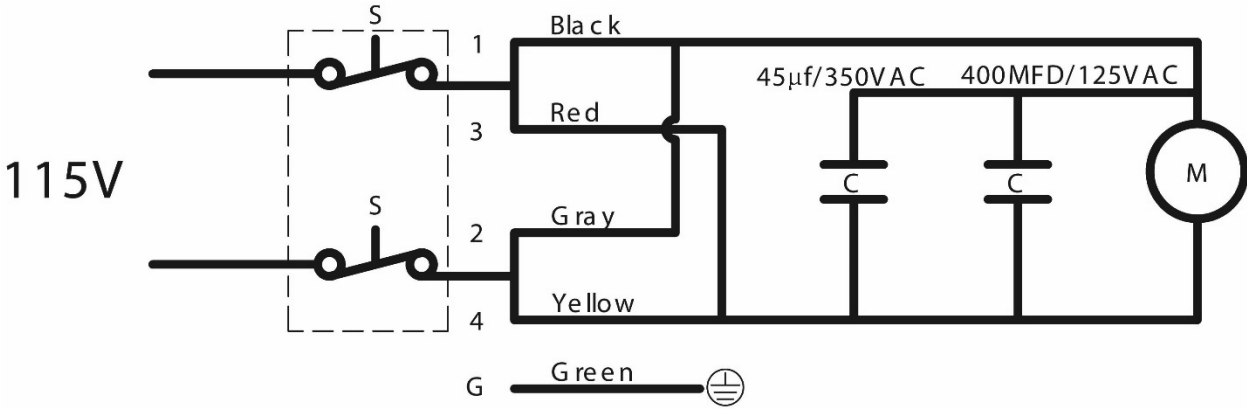
Index No.	Part No.	Description	Size	Qty
1	IBG8-04	Truss Head Screw	3/16"-24 x 1/4"	4
2	IBG10-02	Rubber Pad		1
3	IBG10-03	Base Plate		1
4	IBG8-04	Truss Head Screw	3/16"-24 x 3/8"	10
5	IBG10-05	Capacitor Bracket		1
6	IBG10-06	Start Capacitor	400MFD, 125VAC	1
7	IBG10-07	Capacitor Cover		1
8	TS-0060051	Hex Cap Screw	3/8"-16 x 1"	4
9	TS-0720091	Lock Washer	3/8"	4
10	IBG12SSB-10	Base		1
11	IBG12-09	Cord Plate		1
12	IBG12SSB-12	Switch Plate		1
13	IBG12-45	Magnetic Switch		1
14	IBG10-14	Motor Housing		1
15	IBG12-11	Stator		1
16	IBG12SSB-16	Rotor with Shaft		1
17	IBG12-13	Motor Fan		1
18	BB-6007ZZ	Ball Bearing	6007ZZ	4
19	IBG10-19B	End Bell		2
20	IBG8-26	Truss Head Screw	1/4"-20 x 3/4"	8
21	IBG10SSB-21	End Cap		2
22	TS-0255011	Socket HD Button Screw	5/16" x 3/8"	6
23	IBG12SSB-23	Spacer Kit (includes #23-1 thru 23-4)		1
23-1	IBG12SSB-23-1	Spacer	L 3-1/8"	2
23-2	IBG12SSB-23-2	Spacer	L 2"	2
23-3	IBG12SSB-23-3	Spacer	L 1"	2
23-4	IBG12SSB-23-4	Spacer	L 1/2"	2
24	IBG12-20	Wheel Flange	4-1/8" OD, 1-1/4" ID	4
25	IBG12SSB-25	Hex Nut (Right Hand Thread)	1-1/4"-7UNC	1
26	IBG12SSB-26	Hex Nut (Left Hand Thread)	1-1/4"-7UNC LH	1
27	IBG12-40	Centrifugal Switch Assembly		1
28	IBG12-49	Strain Relief		1
29	IBG12-48	Power Cord		1
30	IBG12-50	Capacitor Bracket		1
31	IBG12-51	Running Capacitor	20µF, 350VAC	1
32	F000297	Phillips Pan Hd Machine Screw	1/4"-20 x 3/8"	2
33	TS-2284082	Pan Head Screw	M4 x 8	4
34	6293330	Pan Head Screw	5/32" x 1/2"	2
	LM000412	ID/Warning Label, IBG-12SSB (not shown)		1
	JET-113-93R	JET Logo (not shown)	113x47mm	1

12.0 Electrical Connections

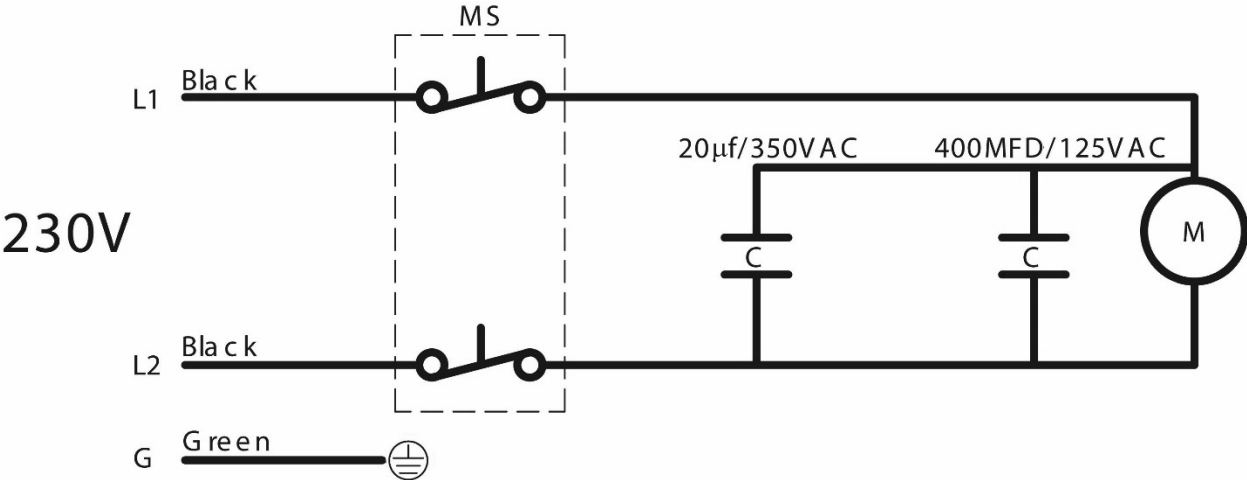
12.1 Wiring diagram for IBG-8SSB



12.2 Wiring diagram for IBG-10SSB



12.3 Wiring diagram for IBG-12SSB



13.0 Warranty and Service

JET® warrants every product it sells against manufacturers' defects. If one of our tools needs service or repair, please contact Technical Service by calling 1-800-274-6846, 8AM to 5PM CST, Monday through Friday.

Warranty Period

The general warranty lasts for the time period specified in the literature included with your product or on the official JET branded website.

- JET products carry a limited warranty which varies in duration based upon the product. (See chart below)
- Accessories carry a limited warranty of one year from the date of receipt.
- Consumable items are defined as expendable parts or accessories expected to become inoperable within a reasonable amount of use and are covered by a 90 day limited warranty against manufacturer's defects.

Who is Covered

This warranty covers only the initial purchaser of the product from the date of delivery.

What is Covered

This warranty covers any defects in workmanship or materials subject to the limitations stated below. This warranty does not cover failures due directly or indirectly to misuse, abuse, negligence or accidents, normal wear-and-tear, improper repair, alterations or lack of maintenance. JET woodworking machinery is designed to be used with Wood. Use of these machines in the processing of metal, plastics, or other materials outside recommended guidelines may void the warranty. The exceptions are acrylics and other natural items that are made specifically for wood turning.

Warranty Limitations

Woodworking products with a Five Year Warranty that are used for commercial or industrial purposes default to a Two Year Warranty. Please contact Technical Service at 1-800-274-6846 for further clarification.

How to Get Technical Support

Please contact Technical Service by calling 1-800-274-6846. **Please note that you will be asked to provide proof of initial purchase when calling.** If a product requires further inspection, the Technical Service representative will explain and assist with any additional action needed. JET has Authorized Service Centers located throughout the United States. For the name of an Authorized Service Center in your area call 1-800-274-6846 or use the Service Center Locator on the JET website.

More Information

JET is constantly adding new products. For complete, up-to-date product information, check with your local distributor or visit the JET website.

How State Law Applies

This warranty gives you specific legal rights, subject to applicable state law.

Limitations on This Warranty

JET LIMITS ALL IMPLIED WARRANTIES TO THE PERIOD OF THE LIMITED WARRANTY FOR EACH PRODUCT. EXCEPT AS STATED HEREIN, ANY IMPLIED WARRANTIES OF MERCHANTABILITY AND FITNESS FOR A PARTICULAR PURPOSE ARE EXCLUDED. SOME STATES DO NOT ALLOW LIMITATIONS ON HOW LONG AN IMPLIED WARRANTY LASTS, SO THE ABOVE LIMITATION MAY NOT APPLY TO YOU.

JET SHALL IN NO EVENT BE LIABLE FOR DEATH, INJURIES TO PERSONS OR PROPERTY, OR FOR INCIDENTAL, CONTINGENT, SPECIAL, OR CONSEQUENTIAL DAMAGES ARISING FROM THE USE OF OUR PRODUCTS. SOME STATES DO NOT ALLOW THE EXCLUSION OR LIMITATION OF INCIDENTAL OR CONSEQUENTIAL DAMAGES, SO THE ABOVE LIMITATION OR EXCLUSION MAY NOT APPLY TO YOU.

JET sells through distributors only. The specifications listed in JET printed materials and on official JET website are given as general information and are not binding. JET reserves the right to effect at any time, without prior notice, those alterations to parts, fittings, and accessory equipment which they may deem necessary for any reason whatsoever. JET® branded products are not sold in Canada by JPW Industries, Inc.

Product Listing with Warranty Period

90 Days – Parts; Consumable items
1 Year – Motors; Machine Accessories
2 Year – Metalworking Machinery; Electric Hoists, Electric Hoist Accessories; Woodworking Machinery used for industrial or commercial purposes
5 Year – Woodworking Machinery
Limited Lifetime – JET Parallel clamps; VOLT Series Electric Hoists; Manual Hoists; Manual Hoist Accessories; Shop Tools; Warehouse & Dock products; Hand Tools; Air Tools

NOTE: JET is a division of JPW Industries, Inc. References in this document to JET also apply to JPW Industries, Inc., or any of its successors in interest to the JET brand.



427 New Sanford Road
LaVergne, Tennessee 37086
Phone: 800-274-6848
www.jettools.com