



Operating Instructions and Parts Manual L-100 Series Hand Chain Hoists



WALTER MEIER (Manufacturing), Inc.

427 New Sanford Road
LaVergne, Tennessee 37086
Ph.: 800-274-6848
www.waltermeier.com

Part No. M-106210
Revision B 04/2010

Copyright © 2010 Walter Meier (Manufacturing) Inc.

Warranty and Service

Walter Meier (Manufacturing) Inc., warrants every product it sells. If one of our tools needs service or repair, one of our Authorized Service Centers located throughout the United States can give you quick service. In most cases, any of these Walter Meier Authorized Service Centers can authorize warranty repair, assist you in obtaining parts, or perform routine maintenance and major repair on your JET® tools. For the name of an Authorized Service Center in your area call 1-800-274-6848.

MORE INFORMATION

Walter Meier is consistently adding new products to the line. For complete, up-to-date product information, check with your local Walter Meier distributor, or visit waltermeier.com.

WARRANTY

JET products carry a limited warranty which varies in duration based upon the product (MW = Metalworking, WW = Woodworking).

90 DAY WARRANTY	1 YEAR WARRANTY	Body Repair Kits Bottle Jacks Cable Pullers Cold Saws Hoists-Air Hoists-Electric Metal forming Mill/Drills Milling Machines MW Bandsaws MW Drill Presses MW Finishing Equipment MW Lathes MW Precision Vises	2 YEAR WARRANTY	Palet Trucks Rigging Equip. Service Jacks Stackers Surface Grinders Tapping Trolleys-Air Trolleys-Electric Web Slings Winches-Electric	3 YEAR WARRANTY	WW Benchtop Tools	5 YEAR WARRANTY	Beam Clamps Chain Hoist- Manual Lever Hoists Pullers-JCH Models Scissor Lift Tables Screw Jacks Trolleys-Gearred Trolleys-Plain Winches-Manual WW Air Filtration WW Bandsaws WW Buffers	WW Drill Presses WW Dust Collectors WW Dust Filters WW Dust Fittings WW Jointers WW Lathes WW Planers WW Sanders WW Shapers WW Tablesaws	LIFE LIFETIME WARRANTY	Fastening Tools Mechanics Hand Tools Striking Tools Vises (no -precision) Clamps
Warranty reverts to 1 Year Warranty if woodworking (WW) products listed above are used for industrial or educational purposes.											

WHAT IS COVERED?

This warranty covers any defects in workmanship or materials subject to the exceptions stated below. Cutting tools, abrasives and other consumables are excluded from warranty coverage.

WHO IS COVERED?

This warranty covers only the initial purchaser of the product.

WHAT IS THE PERIOD OF COVERAGE?

The general JET warranty lasts for the time period specified in the product literature of each product.

WHAT IS NOT COVERED?

Five Year Warranties do not cover woodworking (WW) products used for commercial, industrial or educational purposes. Woodworking products with Five Year Warranties that are used for commercial, industrial or education purposes revert to a One Year Warranty. This warranty does not cover defects due directly or indirectly to misuse, abuse, negligence or accidents, normal wear-and-tear, improper repair or alterations, or lack of maintenance.

HOW TO GET SERVICE

The product or part must be returned for examination, postage prepaid, to a location designated by us. For the name of the location nearest you, please call 1-800-274-6848.

You must provide proof of initial purchase date and an explanation of the complaint must accompany the merchandise. If our inspection discloses a defect, we will repair or replace the product, or refund the purchase price, at our option. We will return the repaired product or replacement at our expense unless it is determined by us that there is no defect, or that the defect resulted from causes not within the scope of our warranty in which case we will, at your direction, dispose of or return the product. In the event you choose to have the product returned, you will be responsible for the shipping and handling costs of the return.

HOW STATE LAW APPLIES

This warranty gives you specific legal rights; you may also have other rights which vary from state to state.

LIMITATIONS ON THIS WARRANTY

WALTER MEIER (MANUFACTURING) INC., LIMITS ALL IMPLIED WARRANTIES TO THE PERIOD OF THE LIMITED WARRANTY FOR EACH PRODUCT. EXCEPT AS STATED HEREIN, ANY IMPLIED WARRANTIES OR MERCHANTABILITY AND FITNESS ARE EXCLUDED. SOME STATES DO NOT ALLOW LIMITATIONS ON HOW LONG THE IMPLIED WARRANTY LASTS, SO THE ABOVE LIMITATION MAY NOT APPLY TO YOU.

WALTER MEIER SHALL IN NO EVENT BE LIABLE FOR DEATH, INJURIES TO PERSONS OR PROPERTY, OR FOR INCIDENTAL, CONTINGENT, SPECIAL, OR CONSEQUENTIAL DAMAGES ARISING FROM THE USE OF OUR PRODUCTS. SOME STATES DO NOT ALLOW THE EXCLUSION OR LIMITATION OF INCIDENTAL OR CONSEQUENTIAL DAMAGES, SO THE ABOVE LIMITATION OR EXCLUSION MAY NOT APPLY TO YOU.

Walter Meier sells through distributors only. The specifications in Walter Meier catalogs are given as general information and are not binding. Members of Walter Meier reserve the right to effect at any time, without prior notice, those alterations to parts, fittings, and accessory equipment which they may deem necessary for any reason whatsoever. JET®-branded products are not sold in Canada by Walter Meier.

Table of Contents

Warranty and Service	2
Table of Contents	3
Introduction	3
Warning.....	4
Specifications	5
Using the Chain Hoist.....	6
Prior to Operation.....	6
Hooking the Load.....	7
Raising the Load.....	7
Hand Chain – Cutting and Installing.....	8
Load Chain and Bottom Hook.....	9
Load Chain Inspection (all models).....	9
Load Chain Removal (all models).....	9
Load Chain and Bottom Hook Installation	10
Chain Installation – 0.5- to 2-Ton Hoists.....	10
Chain Installation – 3- to 5-Ton Hoists.....	10
Chain Installation – 10- to 20-Ton Hoists.....	11
Attaching Load Chain to Load Chain Sprocket (all models).....	9
Inspection and Maintenance	12
Load Limits.....	13
Load Chain	13
Hooks (Top & Bottom)	13
Replacement Parts	13
Parts List: L100-25 Chain Hoist (0.25 Ton).....	14
Parts List: L100-50 Chain Hoist (0.5 Ton).....	16
Parts List – L100-100 Chain Hoist (1 Ton).....	18
Parts List – L100-150 Chain Hoist (1.5 Ton).....	20
Parts List – L100-200 Chain Hoist (2 Ton).....	22
Parts List – L100-300 Chain Hoist (3.0 Ton).....	24
Parts List – L100-500 Chain Hoist (5 Ton).....	26
Parts List – L100-1000 Chain Hoist (10 Ton).....	28
Parts List – L100-1500 Chain Hoist (15 Ton).....	30
Parts List – L100-2000 Chain Hoist (20 Ton).....	32
L-100 Chain Hoist Parts Breakdown	34

Introduction

This manual is provided by Walter Meier (Manufacturing) Inc., covering the safe operation and maintenance procedures for a JET Model L-100 Series Chain Hoist. This manual contains instructions on installation, safety precautions, general operating procedures, maintenance instructions and parts breakdown. This tool has been designed and constructed to provide years of trouble free operation if used in accordance with instructions set forth in this manual. If there are any questions or comments, please contact either your local supplier or Walter Meier. Walter Meier can also be reached at our web site: www.waltermeier.com.

Warnings

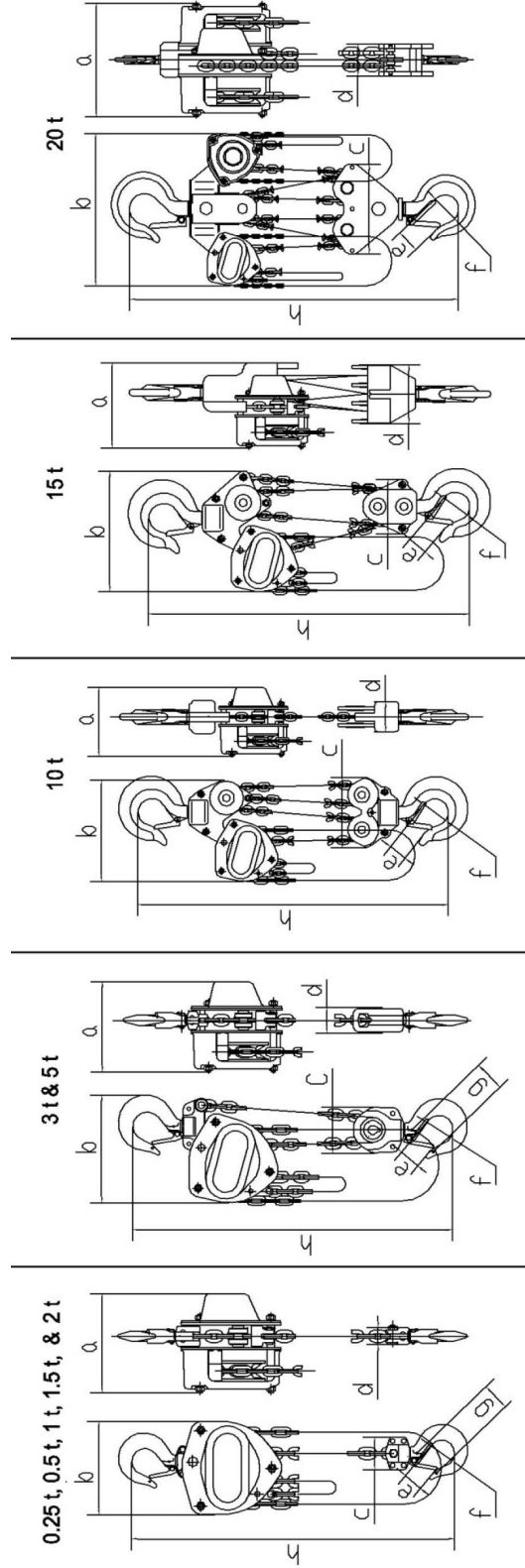
1. Read and understand the entire owners manual before attempting assembly or operation.
2. Read and understand the warnings posted on the tool and in this manual. Failure to comply with all of these warnings may cause serious injury and/or damage to property.
3. Replace the warning labels if they become obscured or are missing.
4. Keep visitors a safe distance from the work area. **Keep children away.**
5. Give your work undivided attention. Looking around, carrying on a conversation and “horse-play” are careless acts that can result in serious injury.
6. This chain hoist is designed and intended for use by properly trained and experienced personnel only. If you are not familiar with the proper and safe operation of a chain hoist, do not use until proper training and knowledge have been obtained.
7. Do not use this chain hoist for other than its intended use. If used for other purposes, Walter Meier (Manufacturing) Inc., disclaims any real or implied warranty and holds itself harmless from any injury that may result from that use.
8. Do not use to lift people or loads over people.
9. Do not exceed the rated capacity of the chain hoist.
10. Do not use more than hand power to pull the hand chain.
11. Do not use the load chain as a sling; this may cause damage to the chain.
12. Always inspect the chain hoist for damage prior to use. If the chain hoist is damaged, do not use until it has been repaired or replaced.
13. Do not use more than one chain hoist to lift or move a load. If this is unavoidable, each chain hoist must have the same capacity as the load to be moved.
14. Never allow the load chain to “set” over sharp edges. All lifts must be made with straight chain that is free of obstacles.
15. If the hand chain is difficult to operate, then the load exceeds the capacity of the chain hoist. Select a chain hoist of larger capacity.
16. Do not use a chain hoist unless load is centered between top and bottom hooks.
17. Always take time to study the job to be performed and choose the safest method. Do not place yourself or other people in an unsafe position.
18. Leave all internal maintenance to a qualified Walter Meier repair station.
19. Replace the chain with factory replacement chain only. Do not use any other type of chain.
20. Never use the chain hoist if either hook is stretched, deformed, or has a broken or missing safety latch. Always replace the safety latch and/or the hook before placing the chain hoist back into service.
21. Understand and follow all procedures as set forth in American National Standards titled “Performance Standard for Hand Chain Manually Operated Chain Hoists.” ANSI/ASME HST-2M. This standard is available through the American Society of Mechanical Engineers, 345 East 47th St., NY, NY 10017. (www.asme.org)

Familiarize yourself with the following safety notices used in this manual:

CAUTION This means that if precautions are not heeded, it may result in minor injury and/or possible tool damage.

WARNING This means that if precautions are not heeded, it may result in serious injury or possibly even death.

Specifications



Stock Number	Model	Rated Capacity (ton)	No. of Falls	Load Chain (mm)	Hand Chain (mm)	Pounds of pull to lift capacity	Req'd Hand Chain (ft.) to lift load 1 foot	Net Weight (lbs)	Dimensions								
									a (in)	b (in)	c (in)	d (in)	e (in)	f (in)	g (in)	h (in)	
100210	L100-25*	1/4	1	4 x 12	3 x 15	41.8	18	9	3-3/4	4-5/16	1-3/16	13/16	1-1/16	1-1/4	1-1/4	1-3/8	9-13/16
106210	L100-50*	1/2	1	5 x 15	4.8 x 22	51.3	25	10	5-1/8	5-1/2	1-11/16	1	1-1/16	1-1/4	1-3/8	11-1/4	
101210	L100-100*	1	1	6.3 x 19	5 x 25	63.9	43	12	6-3/8	6-5/16	2	1-3/16	1-5/16	1-9/16	1-3/4	11-5/8	
101610	L100-150*	1-1/2	1	7.1 x 21	5 x 25	77	57	15	6-11/16	7-3/16	2-1/2	1-5/16	1-5/16	1-5/8	1-7/8	13-3/4	
102210	L100-200*	2	1	8 x 24	5 x 25	79.4	70	20	7-1/4	8	2-1/2	1-5/16	1-7/16	1-13/16	2-1/16	14-3/4	
103210	L100-300*	3	2	7.1 x 21	5 x 25	79.4	114	24	6-11/16	9-1/4	4-3/16	2-1/16	1-11/16	2-1/16	2-7/16	20-1/16	
105510	L100-500*	5	2	9 x 27	5 x 25	74.9	198	41	7-9/16	11-1/8	5-1/4	2-1/2	2	2-3/8	3-1/8	23-5/8	
101010	L100-1000*	10	4	9 x 27	5 x 25	79.4	396	83	7-9/16	14-3/16	10-3/8	3-3/4	2-1/2	3-3/8	-	29-15/16	
101110	L100-1500*	15	6	9 x 27	5 x 25	81.6	594	287	7-7/8	19-3/8	4-5/16	6-1/8	3-1/8	3-15/16	-	33-7/8	
102010	L100-2000*	20	8	9 x 27	5 x 25	79.4 x 2	396 x 2	381	9-1/16	25-13/16	11-1/4	4-13/16	3-1/4	4-5/16	-	34-1/4	

* The above model and stock numbers are representative; chain is available in other lengths. Specify required chain length when ordering. These models are also available with slip clutch overload protection.

The above specifications were current at the time this manual was published, but because of our policy of continuous improvement, Walter Meier reserves the right to change specifications at any time and without prior notice, without incurring obligations.

Using the Chain Hoist

Prior to Operation

1. Support for the hoist may be hook, clevis pin, trolley, or beam clamp. Whatever method of suspension is chosen, the support components **must** be rated equal to, or greater than the capacity of the chain hoist.
2. If the chain hoist has not been used for an extended period of time, check for proper operation before putting into service.
3. The brake mechanism must be kept clean and free from dirt, water, and oil. Never allow oil to penetrate the brake mechanism. Always keep your chain hoist clean and store in a clean, dry location.
4. Although oiling the chain is not mandatory, a light coat of 30-weight oil applied periodically to the chain will create easier operation and prolong the life of the chain.
5. Check the chain for damage and elongation. Replace damaged chain before using the chain hoist.

The load chain supplied with your JET chain hoist is designed, manufactured, and tested for proper fit and durability. Over a period of time, the chain may need to be replaced. For your own safety, use factory replacement chain only.

WARNING Use of other than factory replacement chain may cause serious injury and/or damage to the hoist.

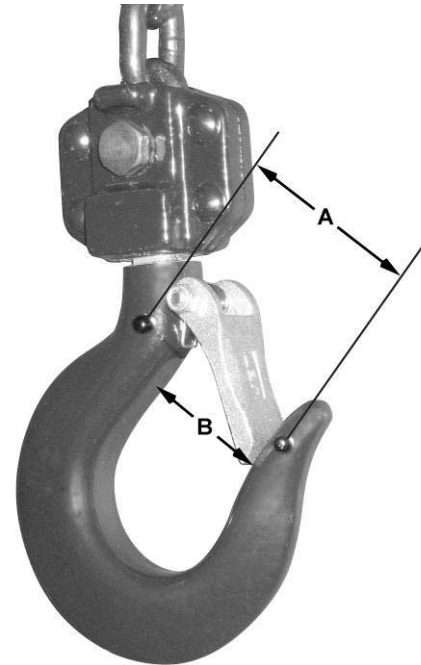


Figure 1

6. The top and bottom hooks on your JET chain hoist are designed to open to warn of an overload. Both top and bottom hooks for 0.5 to 5 ton hoists have two indicator points (A, Figure 1) cast into the hook for measurement. Refer to Table 2 (page 13) to determine if a hook needs to be replaced.

Hooks for 10- and 20-ton hoists do not have indicator points. Measurements are made at the jaw opening (B, Figure 1).

7. It is important to check top and bottom hooks for proper opening. If the safety latch no longer contacts the hook opening, replace the hook. **Never side load the top or bottom hook; this practice is dangerous and could lead to serious injury.**
8. If the vertical angle at the neck of the bottom or top hook reaches 10°, replace the hook (see Figure 2).

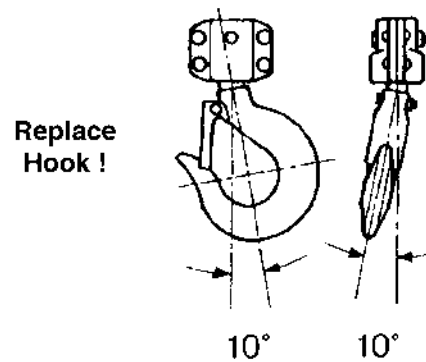


Figure 2

Hooking the Load

1. Secure the upper hook.
2. Place the bottom hook securely into the object to be lifted.
3. Place ropes or chain in the center of the bottom hook, making sure the safety latch is secure. Never load the hook in front of the safety latch. See Figure 3.
4. Avoid lifting one load with two hoists. If this is unavoidable, apply equal weight to both hoists and use hoists with the proper lift capacity. **Capacity of each hoist must be equal to the total load to be lifted.**
5. Check that the chain is not twisted at the bottom hook. All welds should face the same direction (Figure 4).
6. For hoists with two or more falls of chain, make sure the bottom hook is not turned over. This may cause the chain to twist.

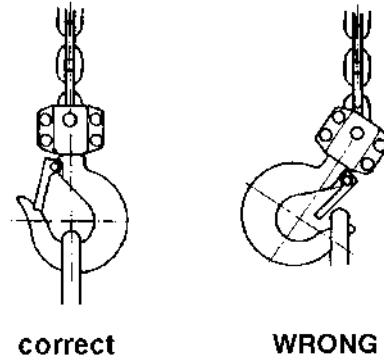


Figure 3

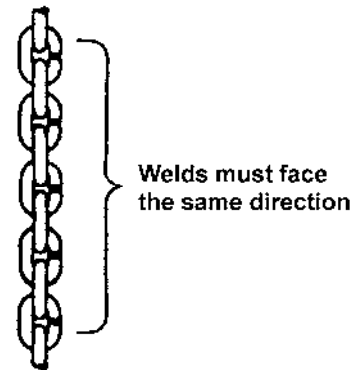


Figure 4

Raising the Load

To raise the load, pull the right side of the hand chain (A, Figure 5) clockwise.

To lower the load, pull the left side of the hand chain (B, Figure 5) counterclockwise.

Important: Make sure the hoist has an adequate length of load chain to raise or lower the load in a safe manner. Do not attempt to lower the hoist beyond its limit.

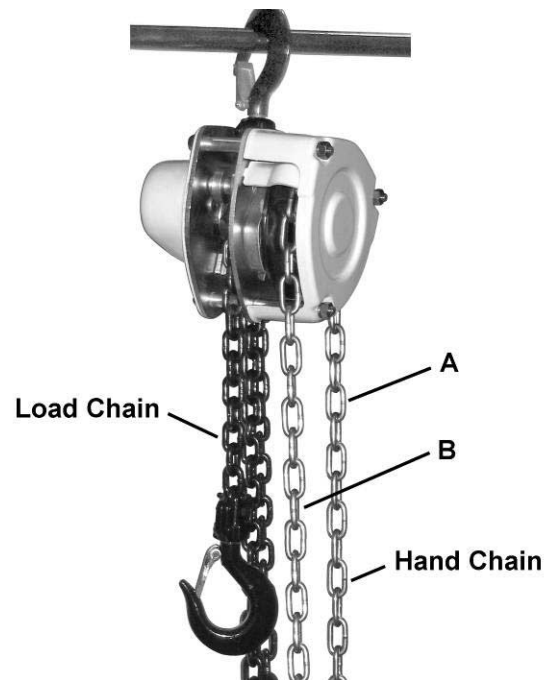


Figure 5

Hand Chain – Cutting and Installing

To cut the hand chain in order to increase or shorten:

To change the length of the *hand chain*, the chain must be cut and links *added* to increase the overall length or links *removed* to decrease the length. This is done as follows:

1. Insert one link lengthwise into the vise (Figure 6). Be sure that the side opposite the weld lies completely below the surface of the vise jaw (about 1/3 of a link). This prevents nicking or cutting the lower part of the link.
2. Using a hack saw, cut through the upper part of the link at the weld.
3. Loosen the link, reposition the link vertically at the edge of the vise with the level of the cut above the vise jaw (Figure 7).
4. Tighten the vise jaw.
5. Using an adjustable wrench, twist the link horizontally from front to back. (Figure 8) Open just far enough to insert (or remove) a second chain link.

Note: Chain length is now ready to lengthen or shorten.

6. Insert or remove the second end link at the opening in the first end link.
7. Using an adjustable wrench, twist the link horizontally until the link is in the original closed position. See Figure 9.

CAUTION Do not push the link inward from the curved ends. This will distort the link. Check that the link is closed and free of twist.

8. If installing entire new chain, insert the end of the hand chain into the groove at the top of the hand chain wheel (see Figure 10). Rotate the hand chain wheel and pull the chain through.
9. Re-weld the link at the cut.
10. Grind off excess on the weld so that it is smooth.

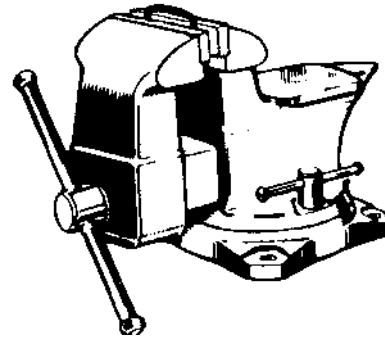


Figure 6

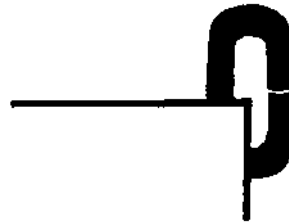


Figure 7

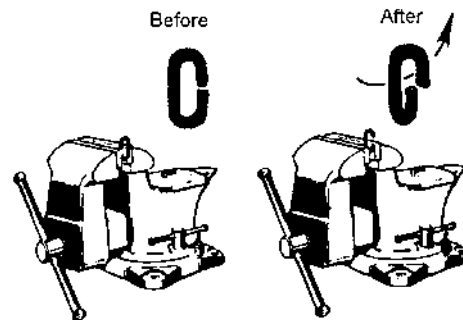


Figure 8

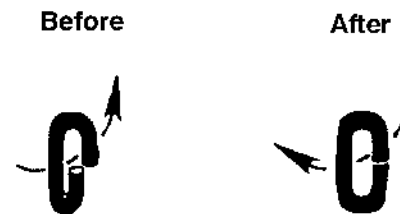


Figure 9

Load Chain and Bottom Hook

Load Chain Inspection (all models)

Over time, the load chain will wear or elongate. This can cause damage to the hoist, breakage, or non-engagement of the load sheave.

⚠WARNING Do not operate the hoist with a twisted, kinked or damaged load chain. Do not splice the load chain. Check the chain for excessive wear or stretch. Failure to comply may cause serious injury.

1. Test the hoist under load in both the lifting and lowering directions, observing the operation of chain and sprockets. Chain should feed smoothly into and away from the sprockets.
2. If the chain binds, jumps, or is noisy, make sure it is clean and properly lubricated. If the trouble persists, inspect the chain and mating parts for wear, distortion, or other damage.
3. Clean the chain before inspection. Examine for gouges, nicks, weld splatter, corrosion, and distorted links. Slacken the chain and move adjacent links to one side, looking for wear at the contact points. If you see wear or suspect stretching, measure the chain as follows:
 - Select an unworn, unstretched length of chain (i.e. at the slack end).
 - Suspend the chain vertically under tension and, using a caliper type gauge, measure the outside length of several links about 12 to 24 inches.
 - Measure the same number of links in used sections and calculate the percentage of the increase in length.
4. If the length of used chain exceeds 2-1/2 percent of the unused chain, replace the chain. (See "Load Limits" on page 13 for specific link measurements.)

⚠WARNING Do not add to the load chain. Replace the entire chain. Failure to comply may cause serious injury.

Load Chain Removal (all models)

Remove the old load chain as follows while referring to Figure 11:

1. Remove the *cotter pin* (A) and the *chain anchor pin* (C) on the *chain anchor* (D), allowing the end of the chain to fall free.
2. Pull the *hand chain* (Fig. 5) until the load chain is completely removed from the gear assembly.

Attaching Load Chain to Load Chain Sprocket (all models)

Install the new load chain onto the load chain sprocket as follows, referring to Fig. 10:

1. Position the *load chain sprocket* by rotating the *hand chain wheel* so that the wide and narrow grooves show.
2. Insert the load chain into the sprocket grooves so that the chain will wind up and back over the sprocket. *Welds must face away from the sprocket.*
3. Rotate the hand chain wheel so that the load chain falls six to eight inches at the back of the sprocket.

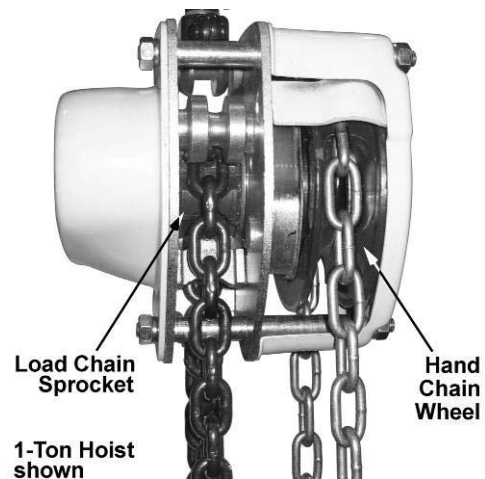


Figure 10

Referring to Figure 11:

4. Insert one end of the *chain link* (B) into the *chain anchor* (D).
5. Insert the *chain anchor pin* (C) through the *chain anchor* (D) and *chain link* (B) and secure with the *cotter pin* (A).

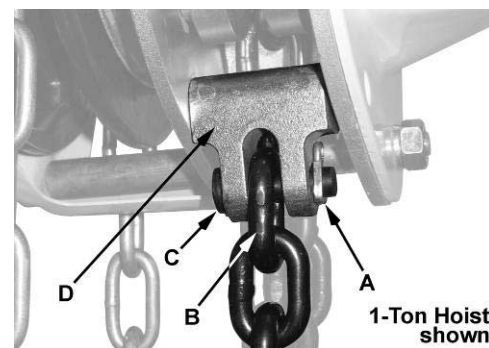


Figure 11

Continue with *Load Chain and Bottom Hook Installation* on the following page, proceeding to the section that applies to your hoist: 1/2- to 2-Ton hoists, 3- to 5-Ton hoists, or 10- to 20-Ton Hoists.

Load Chain and Bottom Hook Installation

The following procedure assumes that the *load chain* has been attached to the *chain anchor* (A, Figure 12) and fed through the *load chain sprocket* as described in the previous section. This section completes the load chain and bottom hook installation.

Chain Installation – 0.5- to 2-Ton Hoists

Referring to Figure 12:

1. Remove the *lock nut* and *bolt* from the *lower hook* (D).
2. Insert the last *chain link* (C) into the lower hook slot.
3. Re-insert the bolt through the lower hook slot and chain link.
4. Re-attach the lock nut to the bolt and tighten.

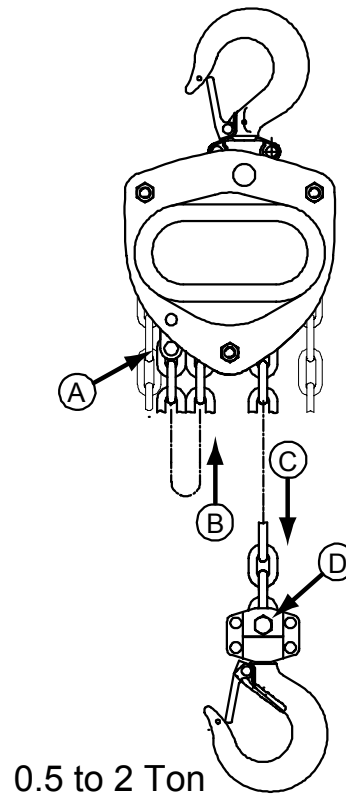


Figure 12

Chain Installation – 3- to 5-Ton Hoists

Referring to Figure 13:

1. After installing the load chain into the *load chain sprocket* (B), run the remaining chain through your hand to remove any twist. The last link of the chain must be in the same direction as the first. If not, cut off the last link.
2. Insert the last link into the pulley of the lower hook (C).
3. Pull the load chain through and up from the underside of the *pulley* (C, D).
4. Remove the cotter pin and chain anchor pin in the *upper hook slot* (E).
5. Insert the last link into the upper hook slot.
6. Check that the load chain is not twisted.
7. Re-position the chain anchor pin back through the upper hook slot and the last chain link and secure with the cotter pin.

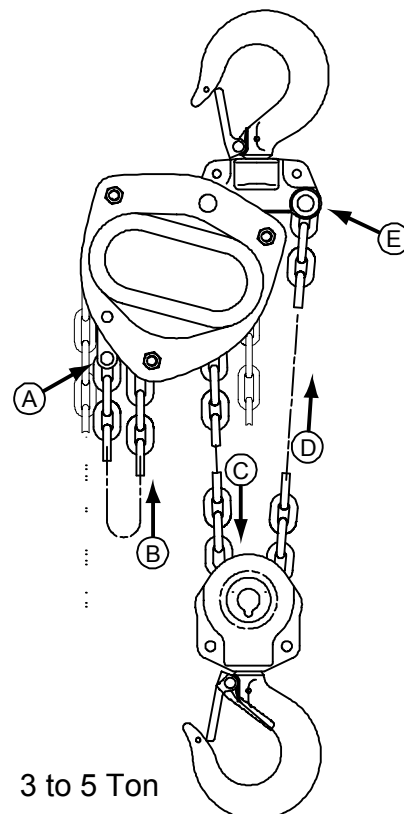


Figure 13

Chain Installation – 10- to 20-Ton Hoists

Referring to Figure 14:

1. After installing the load chain into the load chain sprocket (B), run the remaining chain through your hand to remove any twist. The last link of the chain must be in the same direction as the first. If not, cut off the last link.
2. Insert the last link into the left side pulley of the lower hook (C).
3. Pull the load chain through and up from the underside of the pulley (C, D).
4. Insert the last link into the right hand pulley of the upper hook, moving the chain up, then around and down (D, E). Check that the load chain is not twisted and *welds face away from the pulley*.
5. Insert the last link into the right side pulley of the lower hook, pulling around, then up from the underside of the pulley (E, F). Check that the load chain is not twisted and *welds face away from the pulley*.
6. Remove the *cotter pin* and *chain anchor pin* in the *upper hook slot* (G).
7. Insert the last link into the upper hook slot.
8. Check that the load chain is not twisted.

Re-position the *chain anchor pin* back through the upper hook slot and the last chain link and secure with the *cotter pin*.

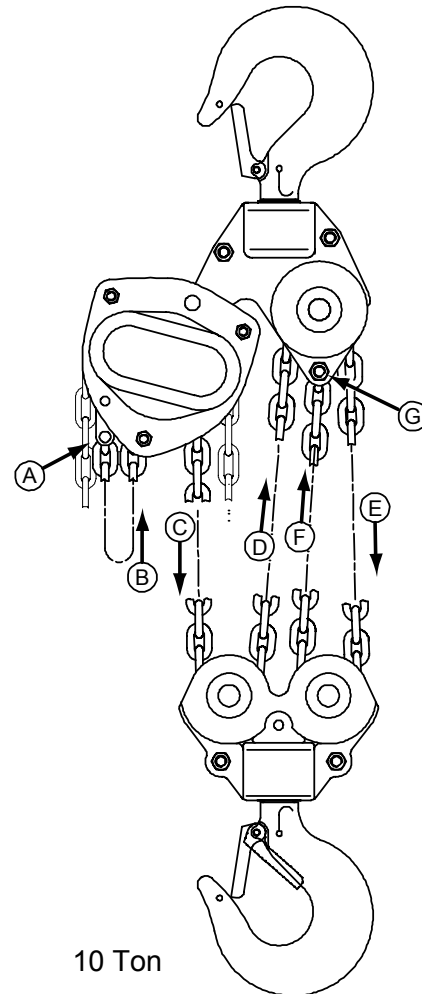


Figure 14

Inspection and Maintenance

Read and follow ANSI Inspection and Maintenance Instructions. Know the meaning of Frequent Inspection, Periodic Inspection, Normal Service, Heavy Service, and Severe Service. It is the customer's responsibility to understand and follow all ANSI and JET inspection and maintenance instructions.

▲WARNING All repairs and adjustments are to be performed by trained and experienced personnel using procedures that are approved for the hoist system being serviced. Failure to comply may cause serious injury.

▲WARNING All safety related deficiencies discovered in the inspection are to be corrected before the hoist is to be placed back into service. Failure to comply may cause serious injury.

▲WARNING Check for internal damage whenever external damage has occurred. Failure to comply may cause serious injury.

1. Clean hoist after each use and oil lightly.
2. Do not drop or drag the hoist.
3. Store the hoist in a clean and dry environment.
4. Chain oiling is not mandatory but will increase the life of the chain.
5. Leave all repairs and adjustments of internal parts to qualified repair personnel.
6. Inspect the load chain and the lower hook after lifting a maximum weight load.
7. This hoist uses special alloy hoisting chain and does not interchange with any other manufacturer. All replacement chain must be purchased from your JET distributor or from Walter Meier (Manufacturing) Inc., directly by calling 800-274-6848.
8. Check and inspect the brake system frequently.
9. Annually, the hoist should be disassembled, inspected, and cleaned by trained and experienced personnel only. Contact a Walter Meier authorized service center by calling your dealer or visiting our web site at waltermeier.com.
10. After servicing, test the hoist with no load, then test the hoist with a load.

Load Limits

Load Chain

Capacity	5 Links Normal	5 Links Limit
0.25 ton	2.36"	2.43"
0.5 ton	2.95"	3.04"
1 ton	3.74"	3.85"
1.5 ton	4.13"	4.25"
2 ton	4.72"	4.86"
3 ton	4.13"	4.25"
5 ton	5.31"	5.47"
10 ton	5.31"	5.47"
15 ton	5.31"	5.47"
20 ton	5.31"	5.47"

Table 1

Carefully inspect the entire load chain. As illustrated in Figure 15, measure five consecutive links with callipers to measure the length. Check every three feet and especially where excessive wear is indicated. Any load chain that shows noticeable deformation or heat influence must be replaced with a new one. Never extend load chain by welding a second piece to the original.

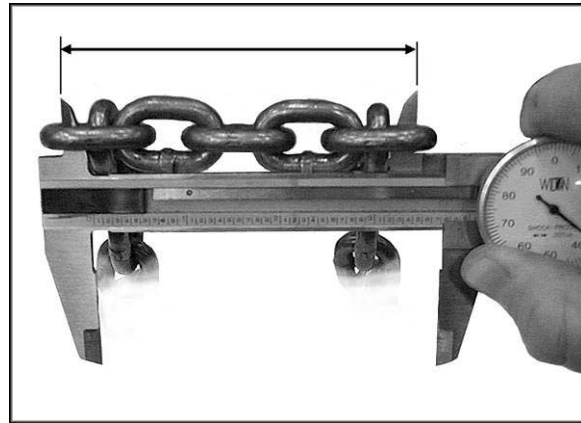


Figure 15

Hooks (Top & Bottom)

Capacity	"A" Norm	"A" Limit	"B" Norm	"B" Limit
0.25 ton	1.39"	1.47"	--	--
0.5 ton	1.36"	1.44"	--	--
1 ton	1.77"	1.88"	--	--
1.5 ton	1.86"	1.97"	--	--
2 ton	2.05"	2.17"	--	--
3 ton	2.45"	2.60"	--	--
5 ton	3.06"	3.24"	--	--
10 ton	--	--	2.52"	2.67"
15 ton	--	--	3.15"	3.34"
20 ton	--	--	3.23"	3.42"

Table 2

See Figure 16. Replace the hook when the "A" measurement is wider than "A" Limit in the table above. Never heat-treat the hook or attach anything to the hook by welding.

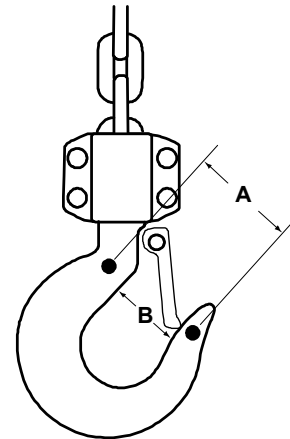


Figure 16

Replacement Parts

Replacement parts are listed on the following pages. To order parts or reach our service department, call 1-800-274-6848, Monday through Friday (see our website for business hours, www.waltermeier.com). Having the Model Number and Serial Number of your machine available when you call will allow us to serve you quickly and accurately.

Parts List: L100-25 Chain Hoist (0.25 Ton)

Parts listed under each assembly are parts that make up that assembly. Sold as an assembly only.

Index No.	Part No.	Description	Size	Qty
1	L100-25-1	Top Hook Assembly		1
		Top Hook		1
		Safety Latch		1
		Double Spring		1
		Socket Head Cap Screw	M4x20	1
		Lock Nut	M4	1
		Top Hook Holder		1
		Rivet	4x14 mm	2
2	L100-25-2	Safety Latch Assembly		2
		Safety Latch		2
		Double Spring		2
		Socket Head Cap Screw	M4x20	2
		Lock Nut	M4	2
3	L100-25-3	Top Hook Shaft		1
4	L100-25-4	Split Pin	2.5x20 mm	1
5	L100-25-5	Bottom Hook Assembly		1
		Bottom Hook		1
		Safety Latch		1
		Double Spring		1
		Socket Head Cap Screw	M4x20	1
		Lock Nut	M4	1
		Rivet	5x20 mm	2
6	L100-25-6	Bottom Hook Shaft		1
7	TS-1541011	Lock Nut	M5	1
8	L100-25-8	Hand Wheel Cover Assembly		1
		Hand Wheel Cover		1
		Hand Chain Guide		2
8A	L100-25-8A	Warning Label		1
9	L100-25-9	Positional Collar		1
	L100-25-9-1	Wheel Stopper (Available from 2010-02-01)	M6	1
10	L100-25-10	Pin		1
	L100-25-10-1	Wheel Washer (Available from 2010-02-01)		1
11	L100-25-11	Split Pin (Cancelled from 2010-02-01)	1.5x15 mm	1
12	L100-25-12	Hand Chain – specify length	3x15 mm	1
13	L100-25-13	Hand Chain Connecting Link		1
14	L100-25-14	Hand Chain Wheel		1
	L100-25-14-1	Hand Chain Wheel (Available from 2010-02-01)		1
14L	L100-25WO-14L	Overload Limiter Assembly (used on overload protection model)		1
		Overload Limiter Knob		1
		Brake Disc		2
		Hand Chain Wheel		1
		Bushing in Hand Chain Wheel		1
		Disc Spring Plate		1
		Disc Spring		1
		Disc Spring Stopper		1
		Lock Nut		1
15	L100-25-15	Snap Ring	5 mm	2
16	L100-25-16	Pawl		2
17	L100-25-17	Pawl Spring		2
18	L100-25-18	Ratchet Disc Assembly		1
	L100-25-18-1	Ratchet Disc Assembly (Available from 2010-02-01)		1
		Ratchet Disc		1
		Ratchet Bushing		1
19	L100-25-19	Disc Hub		1
	L100-25-19-1	Disc Hub (Available from 2010-02-01)		1

Parts List: L100-25 Chain Hoist (0.25 Ton)

20	L100-25-20	Wheel Side Plate Assembly		1
	L100-25-20-1	Wheel Side Plate Assembly	(Available from 2010-02-01)	1
		Wheel Side Plate		1
		Pawl Pin		2
		Brake Cover		1
		Double Seal Ball Bearing	d25xD42x9 mm	1
21	L100-25-21	Double Seal Ball Bearing	d20xD37x9 mm	1
21A	L100-25-21A	Double Seal Ball Bearing	d25xD42x9 mm	1
21B	L100-25-21B	Double Seal Ball Bearing	d6xD15x5 mm	1
22	L100-25-22	Gear Side Plate Assembly		1
		Gear Side Plate		1
		Bushing		2
		Double Seal Ball Bearing	d25xD42x9 mm	1
23	L100-25-23	Load Gear		1
24	L100-25-24	Drive Shaft		1
	L100-25-24-1	Drive Shaft	(Available from 2010-02-01)	1
25	L100-25-25	Gear Case Assembly		1
		Gear Case		1
		Bushing		2
		Double Seal Ball Bearing	d10xD22x6 mm	1
26	TS-2361081	Lock Washer	M8	3
26A	TS-2361081	Lock Washer	M8	3
27	TS-1541021	Lock Nut	M6	3
27A	TS-1541021	Lock Nut	M6	3
28	L100-25-28	Rivet	2x4 mm	4
29	L100-25-29	Name Plate		1
29	L100-25WO-29	Name Plate	(used on overload protection model)	1
30	L100-25-30	Spur Gear Assembly		2
		Spur Gear		2
		Pinion Gear		2
31	L100-25-31	Load Sheave		1
31A	L100-25-31A	C-Clip	6.3x2 mm	1
31B	L100-25-31B	Needle Bearing HK1412	d12xD16x8 mm	1
32	L100-25-32	Guide Roller		2
33	L100-25-33	Stripper		1
34	L100-25-34	Chain Anchor Plate		1
35	L100-25-35	Chain Anchor Pin		1
36	L100-25-36	Split Pin	2x12 mm	1
37	L100-25-37	Load Chain – specify length	4x12 mm	1
47	L100-25-47	Snap Ring	18 mm	1
48	L100-25-48	Dust Cover	(Available from 2010-02-01)	1

Note:

When ordering replacement chain (Index #12, #37), specify length.

Parts List: L100-50 Chain Hoist (0.5 Ton)

Parts listed under each assembly are parts that make up that assembly. Sold as an assembly only.

Index No.	Part No.	Description	Size	Qty
1	L100-50-1	Top Hook Assembly		1
		Top Hook		1
		Safety Latch		1
		Double Spring		1
		Socket Head Cap Screw	M4x20	1
		Lock Nut	M4	1
		Top Hook Holder		1
		Rivet	5x20 mm	2
2	L100-50-2	Safety Latch Assembly		2
		Safety Latch		2
		Double Spring		2
		Socket Head Cap Screw	M4x20	2
		Lock Nut	M4	2
3	L100-50-3	Top Hook Shaft		1
4	L100-50-4	Split Pin	2x20 mm	1
5	L100-50-5	Bottom Hook Assembly		1
		Bottom Hook		1
		Safety Latch		1
		Double Spring		1
		Socket Head Cap Screw	M4x20	1
		Lock Nut	M4	1
		Rivet	5x20 mm	2
6	L100-50-6	Bottom Hook Shaft		1
7	TS-1541021	Lock Nut	M6	1
8	L100-50-8	Hand Wheel Cover Assembly		1
		Hand Wheel Cover		1
		Hand Chain Guide		2
8A	L100-50-8A	Warning Label		1
9	L100-50-9	Positional Collar		1
	L100-50-9-1	Wheel Stopper (Available from 2010-02-01)	M8	1
10	L100-50-10	Pin		1
	L100-50-10-1	Wheel Washer (Available from 2010-02-01)		1
11	L100-50-11	Split Pin (Cancelled from 2010-02-01)	1.5x15 mm	1
12	L100-50-12	Hand Chain – specify length	4.8x22 mm	1
13	L100-50-13	Hand Chain Connecting Link		1
14	L100-50-14	Hand Chain Wheel		1
	L100-50-14-1	Hand Chain Wheel (Available from 2010-02-01)		1
14L-50	L100-50WO-14L	Overload Limiter Assembly (used on overload protection model)		1
	L100-50WO-14-1L	Overload Limiter Assembly (used on overload protection model) (Available from 2010-02-01)		1
		Overload Limiter Knob		1
		Brake Disc		2
		Hand Chain Wheel		1
		Bushing in Hand Chain Wheel		1
		Disc Spring Plate		1
		Disc Spring		1
		Disc Spring Stopper		1
		Lock Nut		1
15	L100-50-15	Snap Ring	7 mm	2
16	L100-50-16	Pawl		2
17	L100-50-17	Pawl Spring		2
18	L100-50-18	Ratchet Disc Assembly		1
	L100-50-18-1	Ratchet Disc Assembly (Available from 2010-02-01)		1
		Ratchet Disc		1
		Ratchet Bushing		1

Parts List: L100-50 Chain Hoist (0.5 Ton)

19.....	L100-50-19	Disc Hub	1	
	L100-50-19-1	Disc Hub (<i>Available from 2010-02-01</i>)	1	
20.....	L100-50-20	Wheel Side Plate Assembly.....	1	
	L100-50-20-1	Wheel Side Plate Assembly (<i>Available from 2010-02-01</i>).....	1	
		Wheel Side Plate.....	1	
		Stay Bolt.....	3	
		Pawl Pin.....	2	
		Brake Cover.....	1	
		Double Seal Ball Bearing.....	d30xD47x9 mm	1
21.....	L100-50-21	Double Seal Ball Bearing.....	d30xD47x9 mm	1
21A.....	L100-50-21A.....	Double Seal Ball Bearing.....	d25xD42x9 mm	1
21B.....	L100-50-21B.....	Double Seal Ball Bearing.....	d10xD22x6 mm	1
22.....	L100-50-22	Gear Side Plate Assembly.....	1	
		Gear Side Plate.....	1	
		Bushing.....	2	
		Double Seal Ball Bearing.....	d25x42x9 mm.....	1
23.....	L100-50-23	Load Gear.....	1	
24.....	L100-50-24	Drive Shaft.....	1	
	L100-50-24-1	Drive Shaft (<i>Available from 2010-02-01</i>)	1	
25.....	L100-50-25	Gear Case Assembly.....	1	
		Gear Case.....	1	
		Bushing.....	2	
		Double Seal Bearing.....	10dx22Dx6 mm	1
26.....	TS-2361081	Lock Washer.....	M8.....	3
26A.....	TS-2361081	Lock Washer.....	M8.....	3
27.....	TS-1541031	Lock Nut.....	M8.....	3
27A.....	TS-1541031	Lock Nut.....	M8.....	3
28.....	L100-50-28	Rivet.....	3x5 mm	4
29.....	L100-50-29	Name Plate.....	1	
29.....	L100-50WO-29	Name Plate (<i>used on overload protection model</i>).....	1	
30.....	L100-50-30	Spur Gear Assembly.....	2	
		Spur Gear.....	2	
		Pinion Gear.....	2	
31.....	L100-50-31	Load Sheave.....	1	
31A.....	L100-50-31A.....	C-Clip.....	21 mm.....	1
31B.....	L100-50-31B.....	Needle Bearing.....	d14xD21x12 mm	1
32.....	L100-50-32	Guide Roller.....	2	
33.....	L100-50-33	Stripper.....	1	
34.....	L100-50-34	Chain Anchor Plate.....	1	
35.....	L100-50-35	Chain Anchor Pin.....	1	
36.....	L100-50-36	Split Pin.....	2x12 mm	1
37.....	L100-50-37	Load Chain – <i>specify length</i>	5x15 mm	1
47.....	L100-50-47	Snap Ring.....	22 mm.....	1
48.....	L100-50-48	Dust Cover (<i>Available from 2010-02-01</i>)	1	

Note:

When ordering replacement chain (Index #12, #37), specify length.

Parts List – L100-100 Chain Hoist (1 Ton)

Parts listed under each assembly are parts that make up that assembly. Sold as an assembly only.

Index No.	Part No.	Description	Size	Qty
1	L100-100-1	Top Hook Assembly		1
		Top Hook		1
		Safety Latch		1
		Double Spring		1
		Socket Head Cap Screw	M4x20	1
		Lock Nut	M4	1
		Top Hook Holder		1
		Rivet	5x20 mm	2
2	L100-100-2	Safety Latch Assembly		2
		Safety Latch		2
		Double Spring		2
		Socket Head Cap Screw	M4x20	2
		Lock Nut	M4	2
3	L100-100-3	Top Hook Shaft		1
4	L100-100-4	Split Pin	2.5x20 mm	1
5	L100-100-5	Bottom Hook Assembly		1
		Bottom Hook		1
		Safety Latch		1
		Double Spring		1
		Socket Head Cap Screw	M4x20	1
		Lock Nut	M4	1
		Rivet	5x20 mm	2
6	L100-100-6	Bottom Hook Shaft		1
7	TS-1541021	Lock Nut	M6	1
8	L100-100-8	Hand Wheel Cover Assembly		1
		Hand Wheel Cover		1
		Hand Chain Guide		2
8A	L100-50-8A	Warning Label		1
9	L100-50-9	Positional Collar		1
	L100-50-9-1	Wheel Stopper (Available from 2010-02-01)	M8	1
10	L100-50-10	Pin		1
	L100-50-10-1	Wheel Washer (Available from 2010-02-01)		1
11	L100-50-11	Split Pin (Cancelled from 2010-02-01)	1.5x15 mm	1
12	L100-100-12	Hand Chain – specify length	5x25 mm	1
13	L100-100-13	Hand Chain Connecting Link		1
14	L100-100-14	Hand Chain Wheel		1
	L100-100-14-1	Hand Chain Wheel (Available from 2010-02-01)		1
14L-100	L100-100WO-14L	Overload Limiter Assembly (used on overload protection model)		1
	L100-100WO-14-1L	Overload Limiter Assembly (used on overload protection model) (Available from 2010-02-01)		1
		Overload Limiter Knob		1
		Brake Disc		2
		Hand Chain Wheel		1
		Bushing in Hand Chain Wheel		1
		Disc Spring Plate		1
		Disc Spring		1
		Disc Spring Stopper		1
		Lock Nut		1
15	L100-100-15	Snap Ring	10 mm	2
16	L100-100-16	Pawl		2
17	L100-100-17	Pawl Spring		2
18	L100-100-18	Ratchet Disc Assembly		1
	L100-100-18-1	Ratchet Disc Assembly (Available from 2010-02-01)		1
		Ratchet Disc		1
		Ratchet Bushing		1

Parts List: L100-100 Chain Hoist (1 Ton)

19.....	L100-100-19	Disc Hub	1	
.....	L100-100-19-1	Disc Hub (<i>Available from 2010-02-01</i>)	1	
20.....	L100-100-20	Wheel Side Plate Assembly	1	
.....	L100-100-20-1	Wheel Side Plate Assembly (<i>Available from 2010-02-01</i>)	1	
.....		Wheel Side Plate	1	
.....		Stay Bolt	3	
.....		Pawl Pin	2	
.....		Brake Cover	1	
.....		Double Seal Ball Bearing	d30xD55x13 mm	1
21.....	L100-100-21	Double Seal Ball Bearing	d30xD55x13 mm	1
21A	L100-100-21A	Double Seal Ball Bearing	d25xD47x12 mm	1
21B	L100-100-21B	Double Seal Ball Bearing	d10xD30x9 mm	1
22.....	L100-100-22	Gear Side Plate Assembly	1	
.....		Gear Side Plate	1	
.....		Bushing	2	
.....		Double Seal Ball Bearing	d25xD47x12 mm	1
23.....	L100-100-23	Load Gear	1	
24.....	L100-100-24	Drive Shaft	1	
.....	L100-100-24-1	Drive Shaft (<i>Available from 2010-02-01</i>)	1	
25.....	L100-100-25	Gear Case Assembly	1	
.....		Gear Case	1	
.....		Bushing	2	
.....		Double Seal Bearing	d10xD30x9 mm	1
26.....	TS-2361081	Lock Washer	M8	3
26A	TS-2361081	Lock Washer	M8	3
27.....	TS-1541031	Lock Nut	M8	3
27A	TS-1541031	Lock Nut	M8	3
28.....	L100-100-28	Rivet	3x6 mm	4
29.....	L100-100-29	Name Plate	1	
29.....	L100-100WO-29	Name Plate (<i>used on overload protection model</i>)	1	
30.....	L100-100-30	Spur Gear Assembly	2	
.....		Spur Gear	2	
.....		Pinion Gear	2	
31.....	L100-100-31	Load Sheave	1	
31A	L100-50-31A	C-Clip	21 mm	1
31B	L100-50-31B	Needle Bearing	1d4xD21x12 mm	1
32.....	L100-100-32	Guide Roller	2	
33.....	L100-100-33	Stripper	1	
34.....	L100-100-34	Chain Anchor Plate	1	
35.....	L100-100-35	Chain Anchor Pin	1	
36.....	L100-100-36	Split Pin	2x15 mm	1
37.....	L100-100-37	Load Chain – <i>specify length</i>	6.3x19 mm	1
47.....	L100-50-47	Snap Ring	22 mm	1
48.....	L100-100-48	Dust Cover (<i>Available from 2010-02-01</i>)	1	

Note:

When ordering replacement chain (Index #12, #37), specify length.

Parts List – L100-150 Chain Hoist (1.5 Ton)

Parts listed under each assembly are parts that make up that assembly. Sold as an assembly only.

Index No.	Part No.	Description	Size	Qty
1	L100-150-1	Top Hook Assembly		1
		Top Hook		1
		Safety Latch		1
		Double Spring		1
		Socket Head Cap Screw	M5x25	1
		Lock Nut	M5	1
		Top Hook Holder		1
		Rivet	6x24 mm	2
2	L100-150-2	Safety Latch Assembly		2
		Safety Latch		2
		Double Spring		2
		Socket Head Cap Screw	M5x25	2
		Lock Nut	M5	2
3	L100-300-3	Top Hook Shaft		1
4	L100-100-4	Split Pin	2.5x20 mm	1
5	L100-150-5	Bottom Hook Assembly		1
		Bottom Hook		1
		Safety Latch		1
		Double Spring		1
		Socket Head Cap Screw	M5x25	1
		Lock Nut	M5	1
		Rivet	6x24 mm	2
6	L100-150-6	Bottom Hook Shaft		1
7	TS-1541031	Lock Nut	M8	1
8	L100-300-8	Hand Wheel Cover Assembly		1
		Hand Wheel Cover		1
		Hand Chain Guide		2
8A	L100-50-8A	Warning Label		1
9	L100-50-9	Positional Collar		1
	L100-50-9-1	Wheel Stopper (Available from 2010-02-01)	M8	1
10	L100-50-10	Pin		1
	L100-50-10-1	Wheel Washer (Available from 2010-02-01)		1
11	L100-50-11	Split Pin (Cancelled from 2010-02-01)	1.5x15 mm	1
12	L100-100-12	Hand Chain – specify length	5x25 mm	1
13	L100-100-13	Hand Chain Connecting Link		1
14	L100-300-14	Hand Chain Wheel		1
	L100-300-14-1	Hand Chain Wheel (Available from 2010-02-01)		1
14L-150	L100-300WO-14L	Overload Limiter Assembly (used on overload protection model)		1
	L100-300WO-14-1L	Overload Limiter Assembly (used on overload protection model) (Available from 2010-02-01)		1
		Overload Limiter Knob		1
		Brake Disc		2
		Hand Chain Wheel		1
		Bushing in Hand Chain Wheel		1
		Disc Spring Plate		1
		Disc Spring		1
		Disc Spring Stopper		1
		Lock Nut		1
15	L100-100-15	Snap Ring	10 mm	2
16	L100-100-16	Pawl		2
17	L100-100-17	Pawl Spring		2
18	L100-100-18	Ratchet Disc Assembly		1
		Ratchet Disc		1
		Ratchet Bushing		1
19	L100-100-19	Disc Hub		1
	L100-100-19-1	Disc Hub (Available from 2010-02-01)		1

Parts List: L100-150 Chain Hoist (1.5 Ton)

20	L100-300-20	Wheel Side Plate Assembly		1
	L100-300-20-1	Wheel Side Plate Assembly (<i>Available from 2010-02-01</i>)		1
		Wheel Side Plate		1
		Stay Bolt		3
		Pawl Pin		2
		Brake Cover		1
		Double Seal Ball Bearing	d30xD55x13 mm	1
21	L100-100-21	Double Seal Ball Bearing	d30xD55x13 mm	1
21A	L100-100-21	Double Seal Ball Bearing	d30xD55x13 mm	1
21B	L100-100-21B	Double Seal Ball Bearing	d10xD30x9 mm	1
22	L100-300-22	Gear Side Plate Assembly		1
		Gear Side Plate		1
		Bushing		2
		Double Seal Ball Bearing	d30xD55x13 mm	1
23	L100-300-23	Load Gear		1
24	L100-300-24	Drive Shaft		1
	L100-300-24-1	Drive Shaft (<i>Available from 2010-02-01</i>)		1
25	L100-300-25	Gear Case Assembly		1
		Gear Case		1
		Bushing		2
		Double Seal Bearing	d10xD30x9 mm	1
26	TS-2361081	Lock Washer	M8	3
26A	TS-2361081	Lock Washer	M8	3
27	TS-1541031	Lock Nut	M8	3
27A	TS-1541031	Lock Nut	M8	3
28	L100-100-28	Rivet	3x6 mm	4
29	L100-150-29	Name Plate		1
29	L100-150WO-29	Name Plate (<i>used on overload protection model</i>)		1
30	L100-300-30	Spur Gear Assembly		2
		Spur Gear		2
		Pinion Gear		2
31	L100-300-31	Load Sheave		1
31A	L100-50-31A	C-Clip	21 mm	1
31B	L100-50-31B	Needle Bearing	d14xD21x12 mm	1
32	L100-300-32	Guide Roller		2
33	L100-300-33	Stripper		1
34	L100-300-34	Chain Anchor Plate		1
35	L100-300-35	Chain Anchor Pin		1
36	L100-100-36	Split Pin	2x15 mm	1
37	L100-300-37	Load Chain – <i>specify length</i>	7.1x21 mm	1
47	L100-300-47	Snap Ring	28 mm	1
48	L100-300-48	Dust Cover (<i>Available from 2010-02-01</i>)		1

Note: When ordering replacement chain (Index #12, #37), specify length.

Parts List – L100-200 Chain Hoist (2 Ton)

Parts listed under each assembly are parts that make up that assembly. Sold as an assembly only.

Index No.	Part No.	Description	Size	Qty
1	L100-200-1	Top Hook Assembly		1
		Top Hook		1
		Safety Latch		1
		Double Spring		1
		Socket Head Cap Screw	M5x25	1
		Lock Nut	M5	1
		Top Hook Holder		1
		Rivet	6x24 mm	2
2	L100-200-2	Safety Latch Assembly		2
		Safety Latch		2
		Double Spring		2
		Socket Head Cap Screw	M5x25	2
		Lock Nut	M5	2
3	L100-200-3	Top Hook Shaft		1
4	L100-100-4	Split Pin	2.5x20 mm	1
5	L100-200-5	Bottom Hook Assembly		1
		Bottom Hook		1
		Safety Latch		1
		Double Spring		1
		Socket Head Cap Screw	M5x25	1
		Lock Nut	M5	1
		Rivet	6x24 mm	2
6	L100-200-6	Bottom Hook Shaft		1
7	TS-1541031	Lock Nut	M8	1
8	L100-200-8	Hand Wheel Cover Assembly		1
		Hand Wheel Cover		1
		Hand Chain Guide		2
8A	L100-50-8A	Warning Label		1
9	L100-500-9	Positional Collar		1
	L100-50-9-1	Wheel Stopper (Available from 2010-02-01)	M8	1
10	L100-500-10	Pin		1
	L100-50-10-1	Wheel Washer (Available from 2010-02-01)		1
11	L100-50-11	Split Pin (Cancelled from 2010-02-01)	1.5x15 mm	1
12	L100-100-12	Hand Chain – specify length	5x25 mm	1
13	L100-100-13	Hand Chain Connecting Link		1
14	L100-200-14	Hand Chain Wheel		1
	L100-200-14-1	Hand Chain Wheel (Available from 2010-02-01)		1
14L-200	L100-200WO-14L	Overload Limiter Assembly (used on overload protection model)		1
	L100-200WO-14-1L	Overload Limiter Assembly (used on overload protection model) (Available from 2010-02-01)		1
		Overload Limiter Knob		1
		Brake Disc		2
		Hand Chain Wheel		1
		Bushing in Hand Chain Wheel		1
		Disc Spring Plate		1
		Disc Spring		1
		Disc Spring Stopper		1
		Lock Nut		1
15	L100-100-15	Snap Ring	10 mm	2
16	L100-100-16	Pawl		2
17	L100-100-17	Pawl Spring		2
18	L100-200-18	Ratchet Disc Assembly		1
	L100-200-18-1	Ratchet Disc Assembly (Available from 2010-02-01)		1
		Ratchet Disc		1
		Ratchet Bushing		1

Parts List: L100-200 Chain Hoist (2 Ton)

19.....	L100-200-19	Disc Hub	1	
	L100-200-19-1	Disc Hub (<i>Available from 2010-02-01</i>)	1	
20.....	L100-200-20	Wheel Side Plate Assembly.....	1	
	L100-200-20-1	Wheel Side Plate Assembly (<i>Available from 2010-02-01</i>).....	1	
		Wheel Side Plate.....	1	
		Stay Bolt.....	3	
		Pawl Pin.....	2	
		Brake Cover.....	1	
		Double Seal Ball Bearing.....	d35xD62x14 mm	1
21.....	L100-500-21	Double Seal Ball Bearing.....	d35xD62x14 mm	1
21A	L100-100-21	Double Seal Ball Bearing.....	d30xD55x13 mm	1
21B	L100-500-21B	Double Seal Ball Bearing.....	d12xD32x10 mm	1
22.....	L100-200-22	Gear Side Plate Assembly.....	1	
		Gear Side Plate.....	1	
		Bushing.....	2	
		Double Seal Ball Bearing.....	d30xD55x13 mm	1
23.....	L100-200-23	Load Gear.....	1	
24.....	L100-200-24	Drive Shaft.....	1	
	L100-200-24-1	Drive Shaft (<i>Available from 2010-02-01</i>)	1	
25.....	L100-200-25	Gear Case Assembly.....	1	
		Gear Case.....	1	
		Bushing.....	2	
		Double Seal Bearing.....	12x32x10 mm.....	1
26.....	TS-2361101	Lock Washer.....	M10.....	3
26A	TS-2361081	Lock Washer.....	M8.....	3
27.....	TS-1541041	Lock Nut.....	M10.....	3
27A	TS-1541031	Lock Nut.....	M8.....	3
28.....	L100-100-28	Rivet.....	3x6 mm	4
29.....	L100-200-29	Name Plate.....	1	
29.....	L100-200WO-29	Name Plate (<i>used on overload protection model</i>).....	1	
30.....	L100-200-30	Spur Gear Assembly.....	2	
		Spur Gear.....	2	
		Pinion Gear.....	2	
31.....	L100-200-31	Load Sheave.....	1	
31A	L100-500-31A	C-Clip.....	24 mm.....	1
31B	L100-500-31B	Needle Bearing.....	17x42x15 mm.....	1
32.....	L100-200-32	Guide Roller.....	2	
33.....	L100-200-33	Stripper.....	1	
34.....	L100-200-34	Chain Anchor Plate.....	1	
35.....	L100-200-35	Chain Anchor Pin.....	1	
36.....	L100-100-36	Split Pin.....	2x15 mm	1
37.....	L100-200-37	Load Chain – <i>specify length</i>	8x24 mm	1
47.....	L100-300-47	Snap Ring.....	28 mm.....	1
48.....	L100-200-48	Dust Cover (<i>Available from 2010-02-01</i>)	1	

Note: When ordering replacement chain (Index #12, #37), specify length.

Parts List – L100-300 Chain Hoist (3.0 Ton)

Parts listed under each assembly are parts that make up that assembly. Sold as an assembly only.

Index No.	Part No.	Description	Size	Qty
1	L100-300-1	Top Hook Assembly		1
		Top Hook		1
		Safety Latch		1
		Double Spring		1
		Socket Head Cap Screw	M5x30	1
		Lock Nut	M5	1
		Top Hook Holder		1
		Rivet	10x32	2
2	L100-300-2	Safety Latch Assembly		2
		Safety Latch		2
		Double Spring		2
		Socket Head Cap Screw	M5x30	2
		Lock Nut	M5	2
3	L100-300-3	Top Hook Shaft		1
4	L100-100-4	Split Pin	2.5x20 mm	1
5	L100-300-5	Bottom Hook Assembly		1
		Bottom Hook		1
		Safety Latch		1
		Double Spring		1
		Socket Head Cap Screw	M5x30	1
		Lock Nut	M5	1
		Idle Shaft		1
		Idle Sheave		1
		Socket Head Cap Screw	M8x25	2
		Lock Nut	M8	2
		Lock Nut	M12	2
		Lock Washer	M12	2
		Bottom Hook Holder		1
8	L100-300-8	Hand Wheel Cover Assembly		1
		Hand Wheel Cover		1
		Hand Chain Guide		2
8A	L100-50-8A	Warning Label		1
9	L100-50-9	Positional Collar		1
	L100-50-9-1	Wheel Stopper (Available from 2010-02-01)	M8	1
10	L100-50-10	Pin		1
	L100-50-10-1	Wheel Washer (Available from 2010-02-01)		1
11	L100-50-11	Split Pin (Cancelled from 2010-02-01)	1.5x15 mm	1
12	L100-100-12	Hand Chain – specify length	5x25 mm	1
13	L100-100-13	Hand Chain Connecting Link		1
14	L100-300-14	Hand Chain Wheel		1
	L100-300-14-1	Hand Chain Wheel (Available from 2010-02-01)		1
14L-300	L100-300WO-14L	Overload Limiter Assembly (used on overload protection model)		1
	L100-300WO-14-1L	Overload Limiter Assembly (used on overload protection model) (Available from 2010-02-01)		1
		Overload Limiter Knob		1
		Brake Disc		2
		Hand Chain Wheel		1
		Bushing in Hand Chain Wheel		1
		Disc Spring Plate		1
		Disc Spring		1
		Disc Spring Stopper		1
		Lock Nut		1
15	L100-100-15	Snap Ring	10 mm	2
16	L100-100-16	Pawl		2
17	L100-100-17	Pawl Spring		2

Parts List: L100-300 Chain Hoist (3.0 Ton)

18.....	L100-100-18	Ratchet Disc Assembly.....	1
.....	L100-300-18-1	Ratchet Disc Assembly (<i>Available from 2010-02-01</i>).....	1
.....	Ratchet Disc.....	1
.....	Ratchet Bushing.....	1
19.....	L100-100-19	Disc Hub	1
.....	L100-100-19-1	Disc Hub (<i>Available from 2010-02-01</i>)	1
20.....	L100-300-20	Wheel Side Plate Assembly.....	1
.....	L100-300-20-1	Wheel Side Plate Assembly (<i>Available from 2010-02-01</i>).....	1
.....	Wheel Side Plate.....	1
.....	Stay Bolt.....	3
.....	Pawl Pin.....	2
.....	Brake Cover	1
.....	Double Seal Ball Bearing..... d30xD55x13 mm	1
21.....	L100-100-21	Double Seal Ball Bearing..... d30xD55x13 mm	1
21A	L100-100-21	Double Seal Ball Bearing..... d30xD55x13 mm	1
21B	L100-100-21B	Double Seal Ball Bearing..... d10xD30x9 mm	1
22.....	L100-300-22	Gear Side Plate Assembly.....	1
.....	Gear Side Plate.....	1
.....	Bushing.....	2
.....	Double Seal Ball Bearing..... d30xD55x13 mm	1
23.....	L100-300-23	Load Gear.....	1
24.....	L100-300-24	Drive Shaft	1
.....	L100-300-24-1	Drive Shaft (<i>Available from 2010-02-01</i>)	1
25.....	L100-300-25	Gear Case Assembly.....	1
.....	Gear Case.....	1
.....	Bushing.....	2
.....	Double Seal Bearing..... d10xD30x9 mm	1
26.....	TS-2361081	Lock Washer..... M8.....	3
26A	TS-2361081	Lock Washer..... M8.....	3
27.....	TS-1541031	Lock Nut..... M8.....	3
27A	TS-1541031	Lock Nut..... M8.....	3
28.....	L100-100-28	Rivet..... 3x6 mm	4
29.....	L100-300-29	Name Plate	1
29.....	L100-300WO-29	Name Plate (<i>used on overload protection model</i>).....	1
30.....	L100-300-30	Spur Gear Assembly.....	2
.....	Spur Gear.....	2
.....	Pinion Gear	2
31.....	L100-300-31	Load Sheave	1
31A	L100-50-31A	C-Clip..... 21 mm	1
31B	L100-50-31B	Needle Bearing..... 14x21x12 mm.....	1
32.....	L100-300-32	Guide Roller	2
33.....	L100-300-33	Stripper	1
34.....	L100-300-34	Chain Anchor Plate.....	1
35.....	L100-300-35	Chain Anchor Pin.....	1
36.....	L100-100-36	Split Pin..... 2x15 mm	1
37.....	L100-300-37	Load Chain – <i>specify length</i> 7.1x21 mm	1
38.....	L100-300-38	Top Hook Pin.....	1
39.....	TS-1541031	Lock Nut..... M8.....	1
40.....	TS-1504051	Socket Head Cap Screw..... M8x25	2
41.....	TS-1541031	Lock Nut..... M8.....	2
42.....	L100-300-42	Idle Shaft.....	1
43.....	L100-300-43	Idle Sheave	1
47.....	L100-300-47	Snap Ring..... 28 mm	1
48.....	L100-300-48	Dust Cover (<i>Available from 2010-02-01</i>)	1

Note: When ordering replacement chain (Index #12, #37), specify length.

Parts List – L100-500 Chain Hoist (5 Ton)

Parts listed under each assembly are parts that make up that assembly. Sold as an assembly only.

Index No.	Part No.	Description	Size	Qty
1	L100-500-1	Top Hook Assembly		1
		Top Hook		1
		Safety Latch		1
		Double Spring		1
		Socket Head Cap Screw	M5x30	1
		Lock Nut	M5	1
		Top Hook Holder		1
		Rivet	10x32 mm	2
2	L100-500-2	Safety Latch Assembly		2
		Safety Latch		2
		Double Spring		2
		Socket Head Cap Screw	M5x30	2
		Lock Nut	M5	2
3	L100-500-3	Top Hook Shaft		1
4	L100-500-4	Split Pin	2.5x22 mm	1
5	L100-500-5	Bottom Hook Assembly		1
		Bottom Hook		1
		Safety Latch		1
		Double Spring		1
		Socket Head Cap Screw	M5x30	1
		Lock Nut	M5	1
		Idle Shaft		1
		Idle Sheave		1
		Socket Head Cap Screw	M10x30	3
		Lock Nut	M10	3
		Bottom Hook Holder		1
8	L100-500-8	Hand Wheel Cover Assembly		1
		Hand Wheel Cover		1
		Hand Chain Guide		2
8A	L100-50-8A	Warning Label		1
9	L100-500-9	Positional Collar		1
	L100-50-9-1	Wheel Stopper (Available from 2010-02-01)	M8	1
10	L100-500-10	Pin		1
	L100-50-10-1	Wheel Washer (Available from 2010-02-01)		1
11	L100-50-11	Split Pin (Cancelled from 2010-02-01)	1.5x15 mm	1
12	L100-100-12	Hand Chain – specify length	5x25 mm	1
13	L100-100-13	Hand Chain Connecting Link		1
14	L100-500-14	Hand Chain Wheel		1
14L-500	L100-500WO-14L	Overload Limiter Assembly (used on overload protection model)		1
	L100-500WO-14-1L	Overload Limiter Assembly (used on overload protection model) (Available from 2010-02-01)		1
		Overload Limiter Knob		1
		Brake Disc		2
		Hand Chain Wheel		1
		Bushing in Hand Chain Wheel		1
		Disc Spring Plate		1
		Disc Spring		1
		Disc Spring Stopper		1
		Lock Nut		1
15	L100-100-15	Snap Ring	10 mm	2
16	L100-100-16	Pawl		2
17	L100-100-17	Pawl Spring		2
18	L100-500-18	Ratchet Disc Assembly		1
	L100-500-18-1	Ratchet Disc Assembly (Available from 2010-02-01)		1
		Ratchet Disc		1
		Ratchet Bushing		1

Parts List: L100-500 Chain Hoist (5 Ton)

19	L100-500-19	Disc Hub		1
	L100-500-19-1	Disc Hub (Available from 2010-02-01)		1
20	L100-500-20	Wheel Side Plate Assembly		1
	L100-500-20-1	Wheel Side Plate Assembly (Available from 2010-02-01)		1
		Wheel Side Plate		1
		Stay Bolt		3
		Pawl Pin		2
		Brake Cover		1
		Double Seal Ball Bearing	d35xD62x14 mm	1
21	L100-500-21	Double Seal Ball Bearing	d35xD62x14 mm	1
21A	L100-500-21	Double Seal Ball Bearing	d35xD62x14 mm	1
21B	L100-500-21B	Double Seal Ball Bearing	d12xD32x10 mm	1
22	L100-500-22	Gear Side Plate Assembly		1
		Gear Side Plate		1
		Bushing		2
		Double Seal Ball Bearing	d35xD62x14 mm	1
23	L100-500-23	Load Gear		1
24	L100-500-24	Drive Shaft		1
	L100-500-24-1	Drive Shaft (Available from 2010-02-01)		1
25	L100-500-25	Gear Case Assembly		1
		Gear Case		1
		Bushing		2
		Double Seal Bearing	d12xD32x10 mm	1
26	TS-2361121	Lock Washer	M12	3
26A	TS-2361081	Lock Washer	M8	3
27	TS-2342121	Lock Nut	M12	3
27A	TS-1541031	Lock Nut	M8	3
28	L100-100-28	Rivet	3x6 mm	4
29	L100-500-29	Name Plate		1
29	L100-500WO-29	Name Plate (used on overload protection model)		1
30	L100-500-30	Spur Gear Assembly		2
		Spur Gear		2
		Pinion Gear		2
31	L100-500-31	Load Sheave		1
31A	L100-500-31A	C-Clip	24 mm	1
31B	L100-500-31B	Needle Bearing	17x24x15 mm	1
32	L100-500-32	Guide Roller		2
33	L100-500-33	Stripper		1
34	L100-500-34	Chain Anchor Plate		1
35	L100-500-35	Chain Anchor Pin		1
36	L100-500-36	Split Pin	2x18 mm	1
37	L100-500-37	Load Chain – specify length	9x27 mm	1
38	L100-500-38	Top Hook Pin		1
39	TS-1541041	Lock Nut	M10	1
40	TS-1505041	Socket Head Cap Screw	M10x30	3
41	TS-1541041	Lock Nut	M10	3
42	L100-500-42	Idle Shaft		1
43	L100-500-43	Idle Sheave		1
47	L100-500-47	Snap Ring	32 mm	1
48	L100-500-48	Dust Cover (Available from 2010-02-01)		1

Note: When ordering replacement chain (Index #12, #37), specify length.

Parts List – L100-1000 Chain Hoist (10 Ton)

Parts listed under each assembly are parts that make up that assembly. Sold as an assembly only.

Index No.	Part No.	Description	Size	Qty
1	L100-1000-1	Top Hook Assembly		1
		Top Hook		1
		Safety Latch		1
		Double Spring		1
		Socket Head Cap Screw	M5x30	1
		Lock Nut	M5	1
		Top Hook Holder		1
		Hook Collar Bushing		1
		Idle Shaft		1
		Idle Sheave		1
		Needle Bearing		1
		Socket Head Cap Screw	M12x40	2
		Lock Nut	M12	2
		Lock washer	M12	2
2	L100-1000-2	Safety Latch Assembly		2
		Safety Latch		2
		Double Spring		2
		Socket Head Cap Screw	M5x30	2
		Lock Nut	M5	2
3	L100-500-3	Top Hook Shaft		1
4	L100-500-4	Split Pin	2.5x22 mm	1
5	L100-1000-5	Bottom Hook Assembly		1
		Bottom Hook		1
		Safety Latch		1
		Double Spring		1
		Socket Head Cap Screw	M5x30	1
		Lock Nut	M5	1
		Idle Shaft		2
		Idle Sheave		2
		Needle Bearing		1
		Socket Head Cap Screw	M12x45	3
		Lock Nut	M12	3
		Lock Washer	M12	3
		Hook Collar Bushing		1
		Bottom Hook Holder		1
8	L100-500-8	Hand Wheel Cover Assembly		1
		Hand Wheel Cover		1
		Hand Chain Guide		2
8A	L100-50-8A	Warning Label		1
9	L100-500-9	Positional Collar		1
	L100-50-9-1	Wheel Stopper (Available from 2010-02-01)	M8	1
10	L100-500-10	Pin		1
	L100-50-10-1	Wheel Washer (Available from 2010-02-01)		1
11	L100-50-11	Split Pin (Available from 2010-02-01)	1.5x15 mm	1
12	L100-100-12	Hand Chain – specify length	5x25 mm	1
13	L100-100-13	Hand Chain Connecting Link		1
14	L100-500-14	Hand Chain Wheel		1
	L100-500-14-1	Hand Chain Wheel (Available from 2010-02-01)		1
14L-1000	L100-500WO-14L	Overload Limiter Assembly (used on overload protection model)		1
	L100-1000WO-14-1L	Overload Limiter Assembly (used on overload protection model) (Available from 2010-02-01)		1
		Overload Limiter Knob		1
		Brake Disc		2
		Hand Chain Wheel		1
		Bushing in Hand Chain Wheel		1
		Disc Spring Plate		1
		Disc Spring		1
		Disc Spring Stopper		1
		Lock Nut		1

Parts List: L100-1000 Chain Hoist (10 Ton)

15	L100-100-15	Snap Ring	10 mm	2
16	L100-100-16	Pawl		2
17	L100-100-17	Pawl Spring		2
18	L100-500-18	Ratchet Disc Assembly		1
	L100-500-18-1	Ratchet Disc Assembly (<i>Available from 2010-02-01</i>)		1
		Ratchet Disc		1
		Ratchet Bushing		1
19	L100-500-19	Disc Hub		1
	L100-500-19-1	Disc Hub (<i>Available from 2010-02-01</i>)		1
20	L100-500-20	Wheel Side Plate Assembly		1
	L100-500-20-1	Wheel Side Plate Assembly (<i>Available from 2010-02-01</i>)		1
		Wheel Side Plate		1
		Stay Bolt		3
		Pawl Pin		2
		Brake Cover		1
		Double Seal Ball Bearing	d35xD62x14 mm	1
21	L100-500-21	Double Seal Ball Bearing	d35xD62x14 mm	1
21A	L100-500-21	Double Seal Ball Bearing	d35xD62x14 mm	1
21B	L100-500-21B	Double Seal Ball Bearing	d12xD32x10 mm	1
22	L100-500-22	Gear Side Plate Assembly		1
		Gear Side Plate		1
		Bushing		2
		Double Seal Ball Bearing	d35xD62x14 mm	1
23	L100-500-23	Load Gear		1
24	L100-500-24	Drive Shaft		1
	L100-500-24-1	Drive Shaft (<i>Available from 2010-02-01</i>)		1
25	L100-500-25	Gear Case Assembly		1
		Gear Case		1
		Bushing		2
		Double Seal Bearing	d12xD32x10 mm	1
26	TS-2361121	Lock Washer	M12	3
26A	TS-2361081	Lock Washer	M8	3
27	TS-2342121	Lock Nut	M12	3
27A	TS-1541031	Lock Nut	M8	3
28	L100-100-28	Rivet	3x6 mm	4
29	L100-1000-29	Name Plate		1
29	L100-1000WO-29	Name Plate (<i>used on overload protection model</i>)		1
30	L100-500-30	Spur Gear Assembly		2
		Spur Gear		2
		Pinion Gear		2
31	L100-500-31	Load Sheave		1
31A	L100-500-31A	C-Clip	24 mm	1
31B	L100-500-31B	Needle Bearing	17x24x15 mm	1
32	L100-500-32	Guide Roller		2
33	L100-500-33	Stripper		1
34	L100-500-34	Chain Anchor Plate		1
35	L100-500-35	Chain Anchor Pin		1
36	L100-500-36	Split Pin	2x18 mm	1
37	L100-500-37	Load Chain – <i>specify length</i>	9x27 mm	1
38	L100-1000-38	Top Hook Pin		1
39	TS-2342121	Lock Nut	M12	1
40	TS-1506051	Socket Head Cap Screw	M12x40	2
40A	TS-1506061	Socket Head Cap Screw	M12x45	3
41	TS-1540081	Nut	M12	5
41A	TS-2360121	Washer	M12	5
42	L100-500-42	Idle Shaft		1
43	L100-500-43	Idle Sheave		1
44	L100-1000-44	Hook Collar Assembly		2
		Steel Ball		52
		Set Screw	M12	2
47	L100-500-47	Snap Ring	32 mm	1
48	L100-500-48	Dust Cover (<i>Available from 2010-02-01</i>)		1

Note: When ordering replacement chain (Index #12, #37), specify length.

Parts List – L100-1500 Chain Hoist (15 Ton)

Parts listed under each assembly are parts that make up that assembly. Sold as an assembly only.

Index No.	Part No.	Description	Size	Qty
1	L100-1500-1	Top Hook Assembly		1
		Top Hook		1
		Safety Latch		1
		Double Spring		1
		Socket Head Cap Screw	M5x30	1
		Lock Nut	M6	1
		Top Hook Holder		1
		Hook Collar Bushing		1
		Idle Shaft		1
		Idle Sheave		2
		Needle Bearing		2
		Socket Head Cap Screw	M12x40	1
		Lock Nut	M12	2
		Lock washer	M12	2
2	L100-1500-2	Safety Latch Assembly		2
		Safety Latch		2
		Double Spring		2
		Socket Head Cap Screw	M5x30	2
		Lock Nut	M5	2
3	L100-500-3	Top Hook Shaft		1
4	L100-500-4	Split Pin	2.5x22 mm	1
5	L100-1500-5	Bottom Hook Assembly		1
		Bottom Hook		1
		Safety Latch		1
		Double Spring		1
		Socket Head Cap Screw	M6x30	1
		Lock Nut	M6	1
		Idle Shaft		1
		Idle Sheave		3
		Needle Bearing		3
		Socket Head Cap Screw		3
		Lock Nut		3
		Lock Washer		3
		Hook Collar Bushing		1
		Bottom Hook Holder		1
8	L100-500-8	Hand Wheel Cover Assembly		1
		Hand Wheel Cover		1
		Hand Chain Guide		2
8A	L100-50-8A	Warning Label		1
9	L100-500-9	Positional Collar		1
	L100-50-9-1	Wheel Stopper (Available from 2010-02-01)		1
10	L100-500-10	Pin		1
	L100-50-10-1	Wheel Washer (Available from 2010-02-01)		1
11	L100-50-11	Split Pin (Cancelled from 2010-02-01)	1.5x15 mm	2
12	L100-100-12	Hand Chain – specify length	5x25 mm	2
13	L100-100-13	Hand Chain Connecting Link		2
14	L100-500-14	Hand Chain Wheel (Available from 2010-02-01)		2
14L	L100-1500WO-14L	Overload Limiter Assembly (used on overload protection model)		2
		Overload Limiter Knob		2
		Brake Disc		4
		Hand Chain Wheel		2
		Bushing in Hand Chain Wheel		2
		Disc Spring Plate		2
		Disc Spring		2
		Disc Spring Stopper		2
		Lock Nut		2

Parts List: L100-1500 Chain Hoist (15 Ton)

15	L100-100-15	Snap Ring	10 mm	2
16	L100-100-16	Pawl		2
17	L100-100-17	Pawl Spring		2
18	L100-500-18	Ratchet Disc Assembly		1
	L100-500-18-1	Ratchet Disc Assembly (<i>Available from 2010-02-01</i>)		1
		Ratchet Disc		1
		Ratchet Bushing		1
19	L100-500-19	Disc Hub		1
	L100-500-19-1	Disc Hub (<i>Available from 2010-02-01</i>)		1
20	L100-500-20	Wheel Side Plate Assembly		1
	L100-500-20-1	Wheel Side Plate Assembly (<i>Available from 2010-02-01</i>)		1
		Wheel Side Plate		1
		Stay Bolt		3
		Pawl Pin		2
		Brake Cover		1
		Double Seal Ball Bearing	d35xD62x14 mm	1
21	L100-500-21	Double Seal Ball Bearing	d35xD62x14 mm	1
21A	L100-500-21	Double Seal Ball Bearing	d35xD62x14 mm	1
21B	L100-500-21B	Double Seal Ball Bearing	d12xD32x10 mm	1
22	L100-500-22	Gear Side Plate Assembly		1
		Gear Side Plate		1
		Bushing		2
		Double Seal Ball Bearing	d35xD62x14 mm	1
23	L100-500-23	Load Gear		1
24	L100-500-24	Drive Shaft		1
	L100-500-24-1	Drive Shaft (<i>Available from 2010-02-01</i>)		1
25	L100-500-25	Gear Case Assembly		1
		Gear Case		1
		Bushing		2
		Double Seal Bearing	d12xD32x10 mm	1
26	TS-2361121	Lock Washer	M12	3
26A	TS-2361081	Lock Washer	M8	3
27	TS-2342121	Lock Nut	M12	3
27A	TS-1541031	Lock Nut	M8	3
28	L100-100-28	Rivet	3x6 mm	4
29	L100-1500-29	Name Plate		1
29	L100-1500WO-29	Name Plate (<i>used on overload protection model</i>)		1
30	L100-500-30	Spur Gear Assembly		2
		Spur Gear		2
		Pinion Gear		2
31	L100-500-31	Load Sheave		1
31A	L100-500-31A	C-Clip	24 mm	1
31B	L100-500-31B	Needle Bearing HK1715	d17xD24x15 mm	1
32	L100-500-32	Guide Roller		2
33	L100-500-33	Stripper		1
34	L100-500-34	Chain Anchor Plate		1
35	L100-500-35	Chain Anchor Pin		1
36	L100-500-36	Split Pin	2x18 mm	1
37	L100-500-37	Load Chain – <i>specify length</i>	9x27 mm	1
38	L100-500-38	Top Hook Pin		1
39	TS-1541041	Lock Nut	M10	1
40	TS-1505041	Socket Head Cap Screw	M10x30	3
41	TS-1541041	Lock Nut	M10	3
42	L100-500-42	Idle Shaft		1
43	L100-500-43	Idle Sheave		1
47	L100-500-47	Snap Ring	32 mm	2
48	L100-500-48	Dust Cover (<i>Available from 2010-02-01</i>)		1
52	L100-750-52	Spring Pin	8x18 mm	4

Note: When ordering replacement chain (Index #12, #37), specify length.

Parts List – L100-2000 Chain Hoist (20 Ton)

Parts listed under each assembly are parts that make up that assembly. Sold as an assembly only.

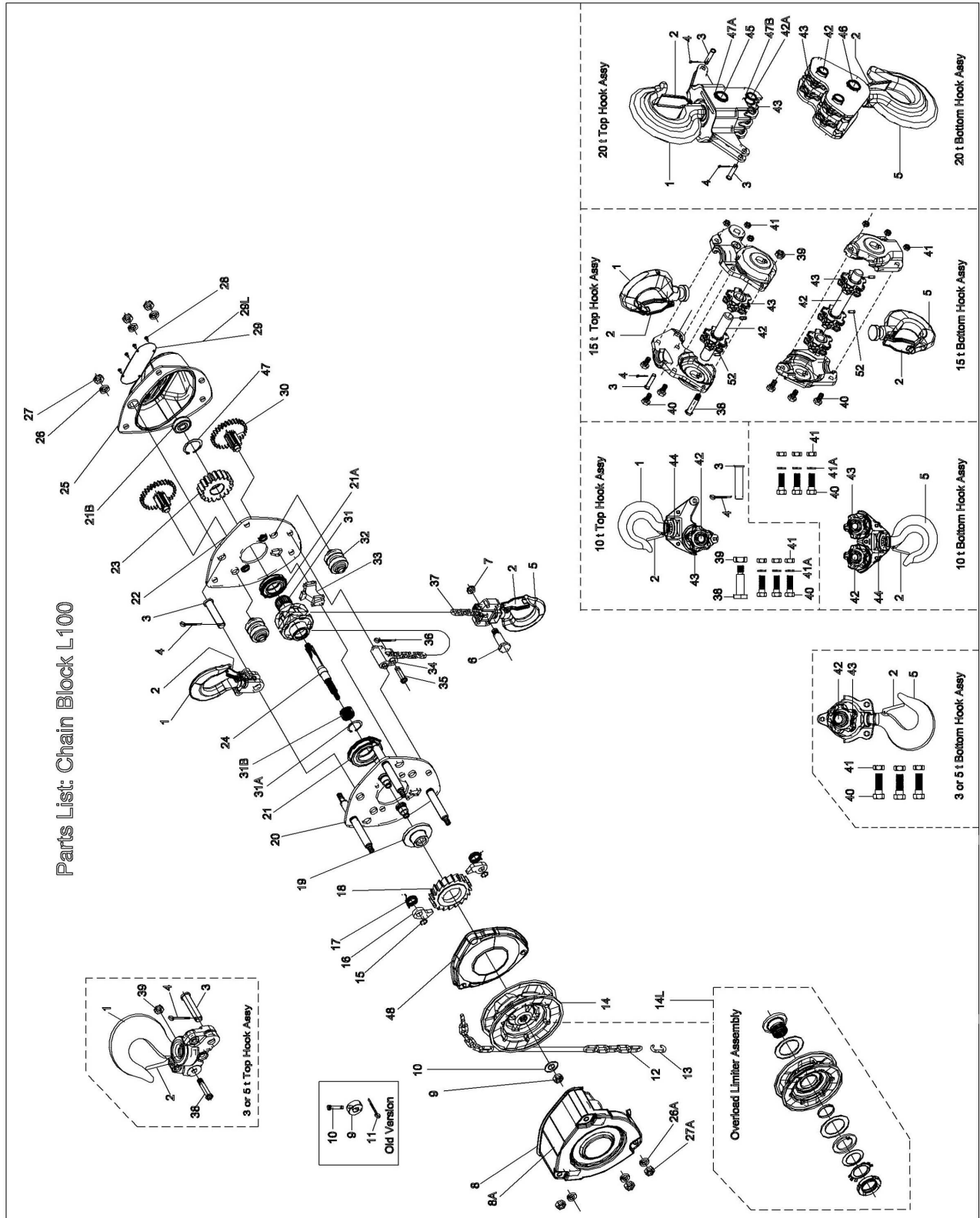
Index No.	Part No.	Description	Size	Qty
1	L100-2000-1	Top Hook Assembly		1
		Top Hook		1
		Safety Latch		1
		Double Spring		1
		Socket Head Cap Screw	M6x30	1
		Lock Nut	M6	1
		Top Hook Holder		1
		Hook Collar Bushing		1
		Needle Bearing	4x30 mm	1
		Idle Shaft		1
		Idle Sheave		3
		Hook Shaft		1
		Snap Ring	35 mm	2
		Snap Ring	42 mm	2
2	L100-2000-2	Safety Latch Assembly		2
		Safety Latch		2
		Double Spring		2
		Socket Head Cap Screw	M6x30	2
		Lock Nut	M6	2
3	L100-500-3	Top Hook Shaft		2
4	L100-500-4	Split Pin (5,10,20 Ton)	2.5x22 mm	2
5	L100-2000-5	Bottom Hook Assembly		1
		Bottom Hook		1
		Safety Latch		1
		Double Spring		1
		Socket Head Cap Screw	M6x30	1
		Lock Nut	M6	1
		Needle Bearing	4x20 mm	1
		Idle Shaft		4
		Idle Sheave		2
		Bottom Hook Shaft		1
		Snap Ring	35 mm	4
		Snap Ring	42 mm	2
		Hook Collar Bushing		1
		Bottom Hook Holder		1
8	L100-500-8	Hand Wheel Cover Assembly (5,10,20 Ton)		2
		Hand Wheel Cover		2
		Hand Chain Guide		4
8A	L100-50-8A	Warning Label (all models)		2
9	L100-500-9	Positional Collar (2,5,10,20 Ton)		2
	L100-50-9-1	Wheel Stopper (Available from 2010-02-01)		1
10	L100-500-10	Pin (2,5,10,20 Ton)		2
	L100-50-10-1	Wheel Washer (Available from 2010-02-01)		1
11	L100-50-11	Split Pin (Cancelled from 2010-02-01)	1.5x15 mm	2
12	L100-100-12	Hand Chain – specify length	5x25 mm	2
13	L100-100-13	Hand Chain Connecting Link		2
14	L100-500-14	Hand Chain Wheel (5,10,20 Ton)		2
	L100-500-14-1	Hand Chain Wheel (Available from 2010-02-01)		2
14L	L100-2000WO-14L	Overload Limiter Assembly (used on overload protection model)		2
		Overload Limiter Knob		2
		Brake Disc		4
		Hand Chain Wheel		2
		Bushing in Hand Chain Wheel		2
		Disc Spring Plate		2
		Disc Spring		2
		Disc Spring Stopper		2
		Lock Nut		2

Parts List: L100-2000 Chain Hoist (20 Ton)

15	L100-100-15	Snap Ring	10 mm	4
16	L100-100-16	Pawl		4
17	L100-100-17	Pawl Spring		4
18	L100-500-18	Ratchet Disc Assembly		2
	L100-500-18-1	Ratchet Disc Assembly (<i>Available from 2010-02-01</i>)		1
		Ratchet Disc		2
		Ratchet Bushing		2
19	L100-500-19	Disc Hub		2
	L100-500-19-1	Disc Hub (<i>Available from 2010-02-01</i>)		2
20	L100-500-20	Wheel Side Plate Assembly		2
	L100-500-20-1	Wheel Side Plate Assembly (<i>Available from 2010-02-01</i>)		2
		Wheel Side Plate		2
		Stay Bolt		3
		Pawl Pin		4
		Brake Cover		2
		Double Seal Ball Bearing	d35xD62x14 mm	2
21	L100-500-21	Double Seal Ball Bearing	d35xD62x14 mm	2
21A	L100-500-21	Double Seal Ball Bearing	d35xD62x14 mm	2
21B	L100-500-21B	Double Seal Ball Bearing	d12xD32x10 mm	2
22	L100-500-22	Gear Side Plate Assembly		2
		Gear Side Plate		2
		Bushing		4
		Double Seal Ball Bearing	d35xD62x14 mm	2
23	L100-500-23	Load Gear		2
24	L100-500-24	Drive Shaft		2
	L100-500-24-1	Drive Shaft (<i>Available from 2010-02-01</i>)		2
25	L100-500-25	Gear Case Assembly		2
		Gear Case		2
		Bushing		4
		Double Seal Bearing	d12xD32x10 mm	2
26	TS-2361121	Lock Washer	M12	6
26A	TS-2361081	Lock Washer	M8	6
27	TS-2342121	Lock Nut	M12	6
27A	TS-1541031	Lock Nut	M8	6
28	L100-100-28	Rivet	3x6 mm	8
29	L100-2000-29	Name Plate		2
29	L100-2000WO-29	Name Plate (<i>used on overload protection model</i>)		2
30	L100-500-30	Spur Gear Assembly		4
		Spur Gear		4
		Pinion Gear		4
31	L100-500-31	Load Sheave		2
31A	L100-500-31A	C-Clip	24 mm	2
31B	L100-500-31B	Needle Bearing	d17xD24x15 mm	2
32	L100-500-32	Guide Roller		4
33	L100-500-33	Stripper		2
34	L100-500-34	Chain Anchor Plate		2
35	L100-500-35	Chain Anchor Pin		2
36	L100-500-36	Split Pin	2x18 mm	2
37	L100-500-37	Load Chain – <i>specify length</i>	9x27 mm	2
42	L100-500-42	Bottom Idle Shaft		2
42A	L100-500-42A	Top Idle Shaft		1
43	L100-600-43	Idle Sheave		7
45	L100-600-45	Hook Shaft		1
46	L100-500-46	Bottom Hook Shaft		1
47	L100-500-47	Snap Ring	32 mm	2
47A	L100-500-47A	Snap Ring	42 mm	4
47B	L100-500-47B	Snap Ring	35 mm	6
48	L100-500-48	Dust Cover		1

Note: When ordering replacement chain (Index #12, #37), specify length.

L-100 Chain Hoist Parts Breakdown



NOTES

TEST CERTIFICATE

COMMODITY	Chain Hoist
MODEL	L-100-
SERIAL NO.	
CAPACITY	ton
TEST LOAD	ton
LIFT	ft.
DATE OF INSPECTION	
JUDGEMENT	PASSED
INSPECTOR	

Record your purchase and installation information here

Purchased from: _____ Date: _____

Serial Number: _____ Model Number: _____

Stock Number: _____

Location Installed: _____

Date Installed: _____ Date in Service: _____



WALTER MEIER (Manufacturing) Inc.

427 New Sanford Road
LaVergne, Tennessee 37086
Phone: 800-274-6848
www.waltermeier.com