

SPECIFICATIONS

Part Number: 116518
Load Capacity: 1300 lbs.
Dimensions: L55x W38 x H(20-27)
Overall Weight: 71 lbs.
Tires: 16 X 6.50-8 (28-PSI)

TRAILER DOLLY 1300 LBS

MODEL 16518

POLARTRAILER.COM

WARRANTY INFORMATION



Please contact customer service directly at the E-mail or phone number listed below for any quality issues. **ONCE USED THIS PRODUCT CANNOT BE RETURNED TO STORE.**

**** Warranty cannot be honored without an original, dated receipt ****

**** REGISTER YOUR PURCHASE ONLINE AT POLARTRAILER.COM ****

IMPORTANT-PLEASE READ:

CLAM OUTDOORS INC. warrants to the original retail purchaser its product be free from manufacturers defects for (5) years from the date of the original purchase. Clam Outdoors Inc will replace or repair any part found defective within the (5) year time limit. All parts must be returned to Clam Outdoors Inc. Before returning any parts, you must first call or write and acquire a return authorization. All returns must be returned postage-prepaid and include the original cash register receipt (date and purchase price).

To submit a warranty claim request, please use one of the following methods:

- <https://polartrailer.com/pages/warranty-form>
- Email: customerservice@clamcorp.com

The warranty does not apply to any Polar Product which has been subjected to an accident, improper installation, modification, adjustment, repair, misuse, misapplication, neglect, including but not limited to improper maintenance, or use of unauthorized parts or attachments.

LIMITATION OF LIABILITY

It is expressly understood that Clam Outdoors Inc. liability for its products, whether due to breach of warranty, negligence, strict liability, or otherwise, is limited to the repair of the product as stated above. Clam Outdoor Inc. is not liable for any injury, loss, damage, or expense, whether direct or consequential, including but not limited to loss of use, income, profit, or damage to material arising in connection with the sale, installation, use of, inability to use, or the repair or replacement of Clam Outdoor Inc. products. Clam Outdoor Inc. reserves the right to make alterations or modifications in its products at any time, which in its opinion, may improve the performance and efficiency of the product. It shall not be obligated to make such alterations or modifications to products already in service.

Clam contact information

- Customer Service Hrs: 9am to 4pm, Monday – Friday Central Standard Time
- Clam Outdoors
Attn: Customer Service
12135 Brockton Lane
Rogers, MN 55369
- Phone: 763-231-4120



WARNING



1. Avoid slopes in any roadbed or pathways. Set ups and towing needs to be done on flat surfaces only to prevent out of control situation while operating equipment resulting in personal injury or equipment damage.
2. Loads that are being towed needs to be DISTRIBUTED EVENLY to prevent personal injury or damage to equipment due to loss of control.
3. Always have equipment blocked when setting up, disconnecting or not towing to prevent unexpected movement of equipment being used.

PARTS LIST

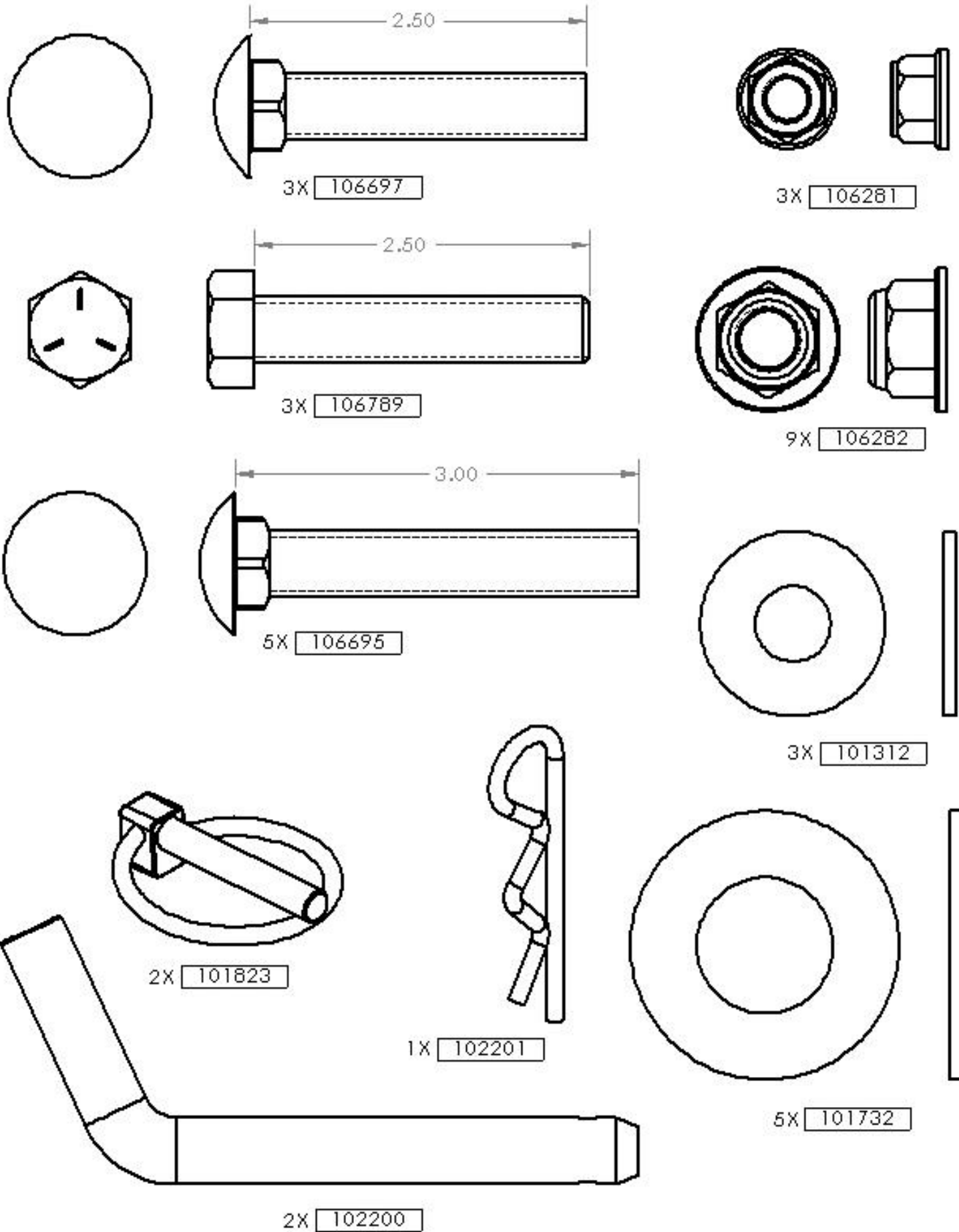
QTY.	PART NO.	DESCRIPTION
1	106699	WLDMT, PAINTED, AXLE
2	104589	ASSY, WHEEL, 18-CF CART
1	106678	WLDMT, PAINTED, TONGUE ATTACHMENT
1	106687	WLDMT, PAINTED, MOUNT, BALL HITCH
1	106694	BALL HITCH, 2in
1	106700	TUBE, INNER HITCH
1	102146	COUPLER, 2" BALL
1	106750	INSTRUCTIONS, TRAILER DOLLY, 1300 Lbs.
1	106701	KIT, HRDWR, TRAILER DOLLY (INCLUDES THE FOLLOWING)
5	106695	BOLT, 1/2-13 X 3.00 CARRIAGE
9	106282	NUT, 1/2-13, FLANGE, NYLOCK
3	106697	BOLT, 1/2-13 X 2.50 CARRIGE
1	102200	BENT ARM PIN
1	102201	SPRING COTTER PIN
2	101823	PIN, 1/4" LYNCH
5	101732	WASHER, 1" FLAT SAE CZ
3	101312	WASHER, 1/2" FLAT REG
3	106789	BOLT, 1/2-13 X 2.50, HEX HEAD



THERE ARE EXTRA FASTENERS INCLUDED WITH THE HARDWARE KIT 106701



FASTENERS



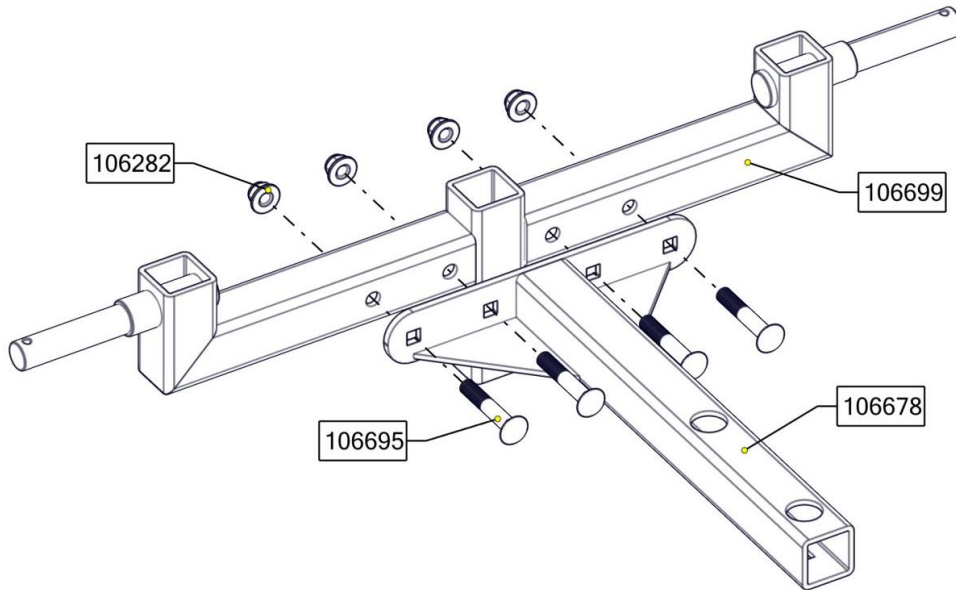
STEP-1

Please Notice This



***USING A DROP OF OIL ON ALL NUTS WILL EASE THE ASSEMBLY PROCESS.**

1. ASSEMBLE COMPONENTS WITH FASTENERS AS SHOWN AND SECURELY TIGHTEN.



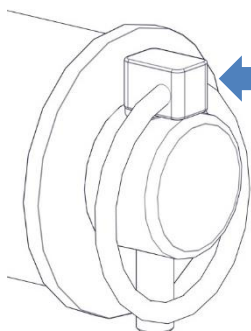
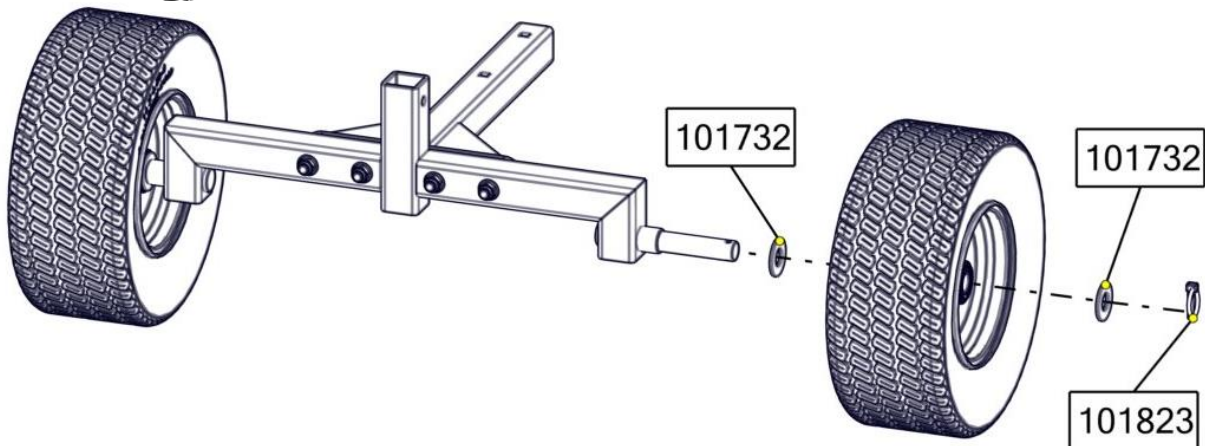
STEP-2

1. INSTALL WHEELS WITH COMPONENTS AS SHOWN.

Please Notice This



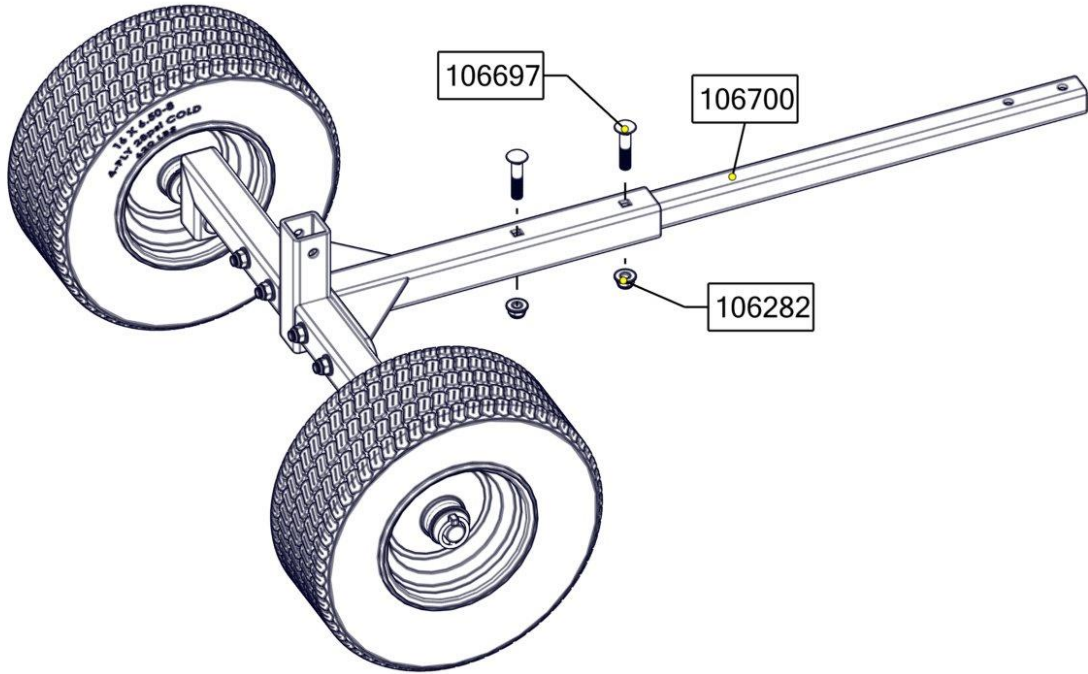
GREASE AXLE SHAFTS ANNUALLY



**LYNCH PIN (101823)
MUST BE LOCKED IN
POSITION AS SHOWN
BEFORE MOVING DOLLY.**

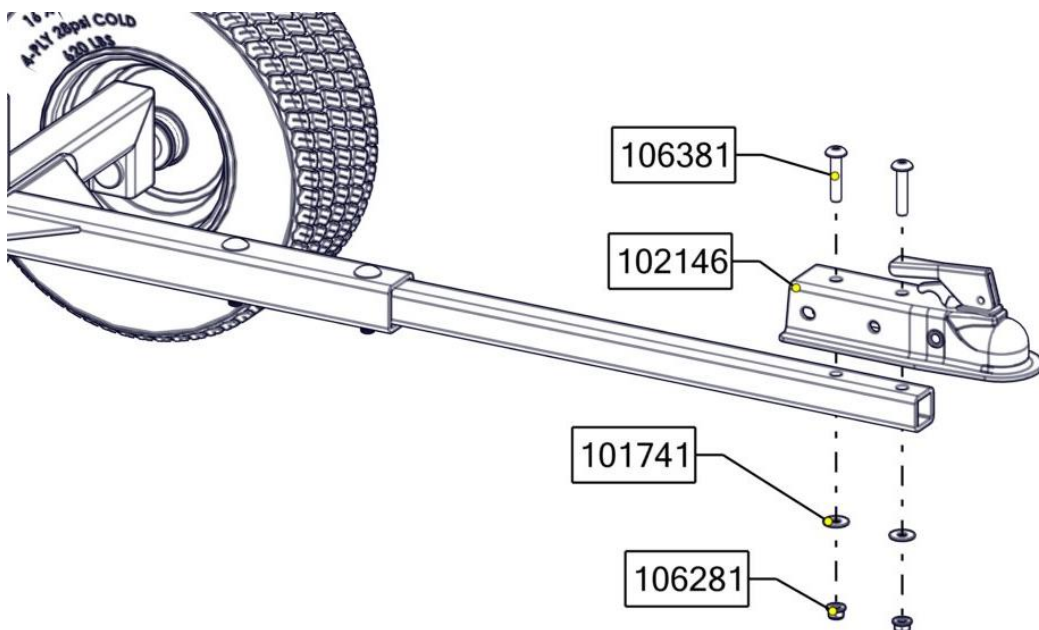
STEP-3

1. ASSEMBLE TONGUE TO AXLE WITH FASTENERS AS SHOWN AND SECURELY TIGHTEN.



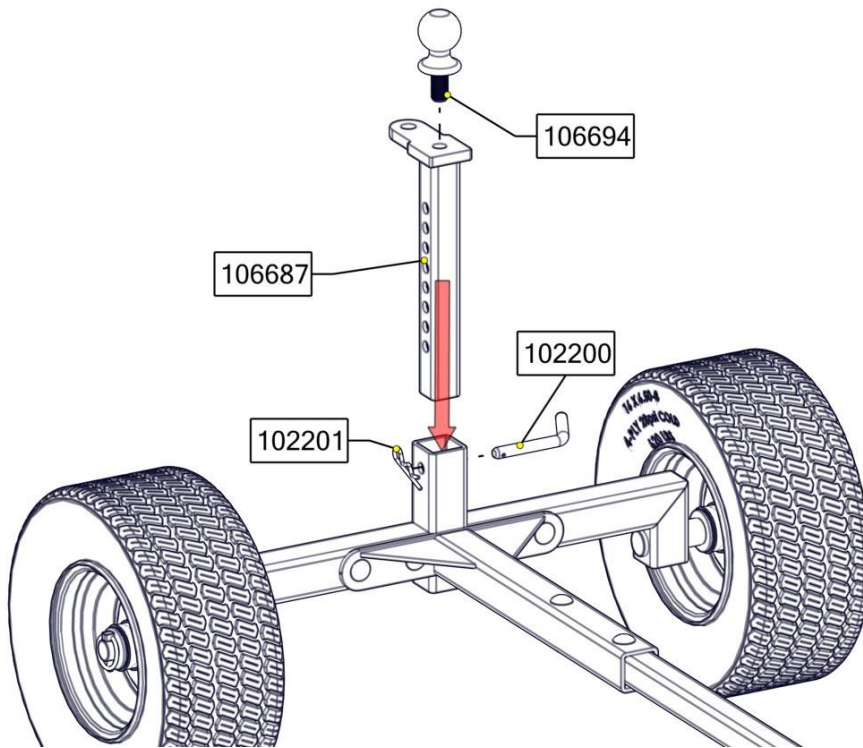
STEP-4

1. INSTALL COUPLER TO TONGUE WITH FASTENERS AS SHOWN AND TIGHTEN SECURELY.



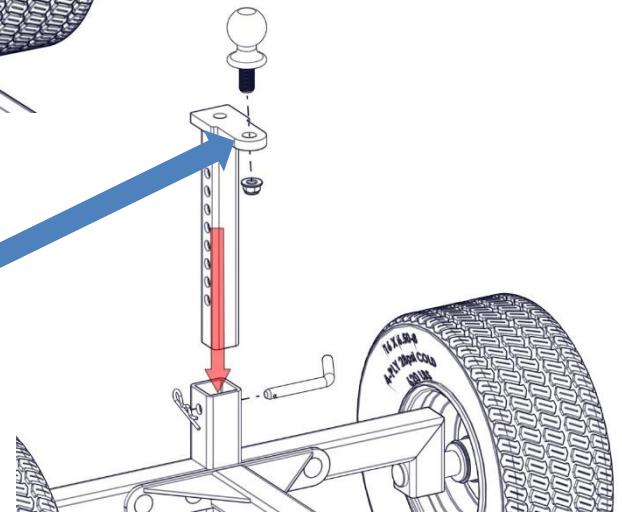
STEP-5

1. ASSEMBLE BALL HITCH TO THE MOUNT ASSEMBLY AS SHOWN.
2. ADJUST BALL HITCH ASSEMBLY TO PROPER HEIGHT AND SECURE IN PLACE.

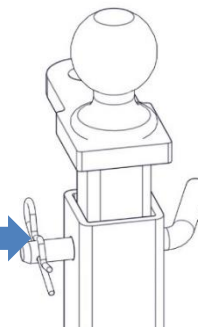


OPTIONAL BALL MOUNT POSITION
INCREASE TONGUE WEIGHT FOR BETTER
TRACTION.

THIS OPTION REQUIRES SEPERATE BALL
HITCH WITH NUT (NOT INCLUDED)



BENT ARM PIN MUST BE
LOCKED IN POSITION WITH
SPRING COTTER PIN AS
SHOWN BEFORE APPLING
LOAD OR MOVING
EQUIPMENT



**VISIT OUR WEB-SITE FOR OTHER
POLAR TRAILERS AND ACCESSORIES**