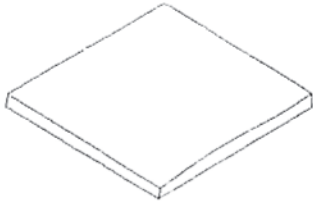


ITEM # AWLEHPET Acacia Wood Live Edge Hair Pin End Table Assembly Instructions - Max Weight Capacity 200 lbs

Components:



1 Piece Table Top



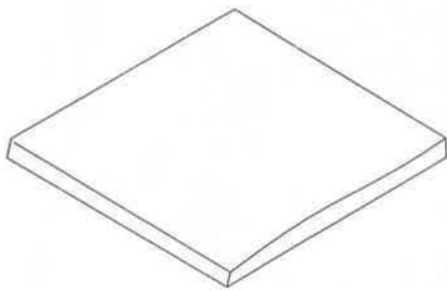
4 Pieces Table Legs



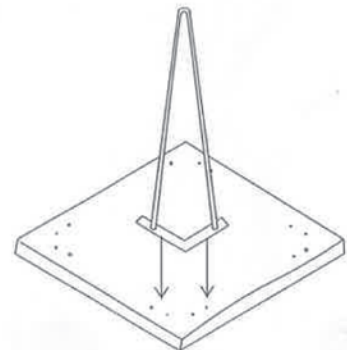
4 Long Bolts



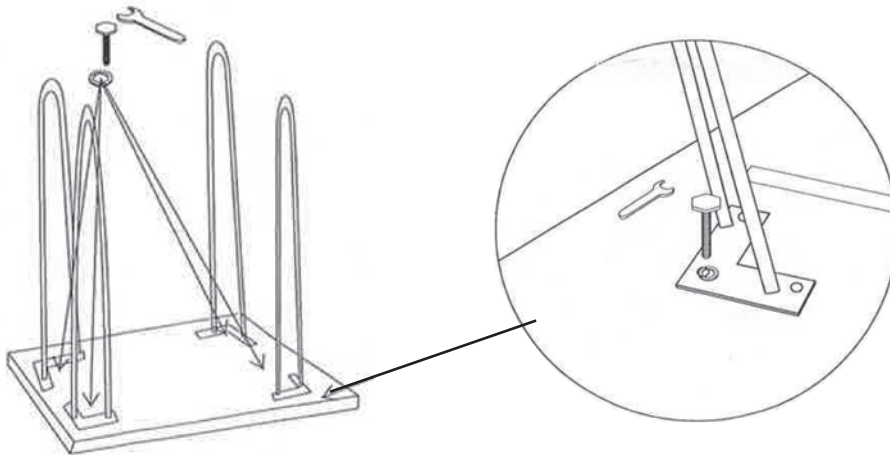
1 Hex Wrench



1) Place Table Top on smooth surface.



2) Attach Table Legs to Table Top using 2 Long Bolts each.



3) Attach remaining Table Legs using Long Bolts.



4) Tighten all bolts. Place table upright.

If you experience a problem, have questions or need parts for this product, visit our website call Customer Service at **1-636-532-9888, Monday-Friday, 8 AM - 4 PM Central Time**