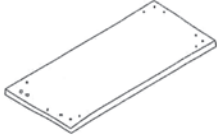


ITEM # AWLEHPCT Acacia Live Edge Hair Pin Coffee Table Assembly Instructions - Max Weight Capacity 200 lbs

Components:



1 Piece Table Top



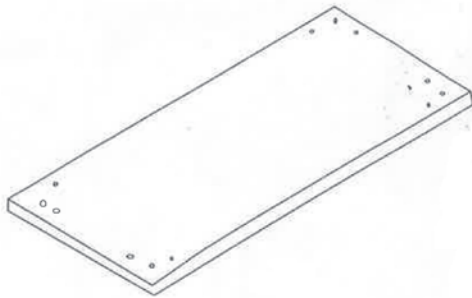
4 Pieces Table Legs



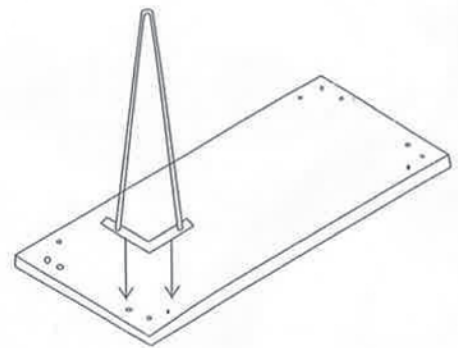
8 Pieces Bolts



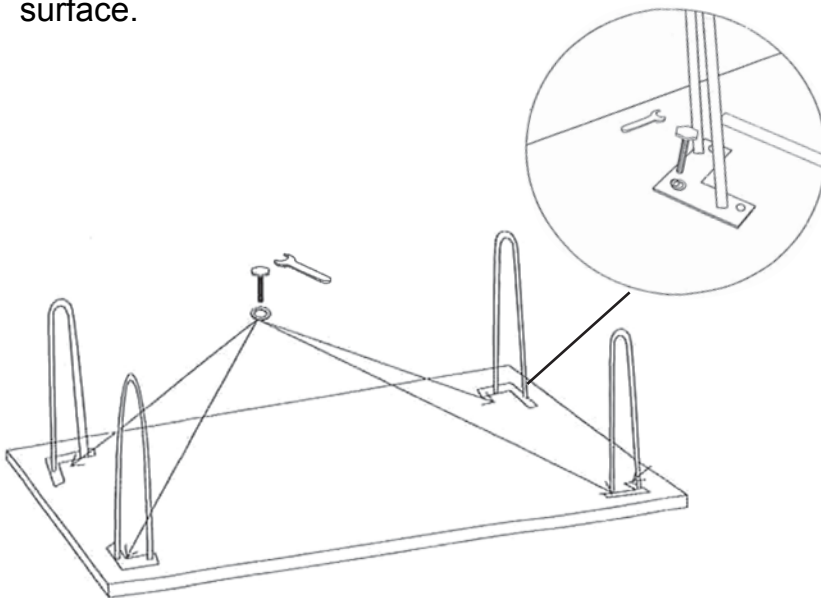
1 Hex Wrench



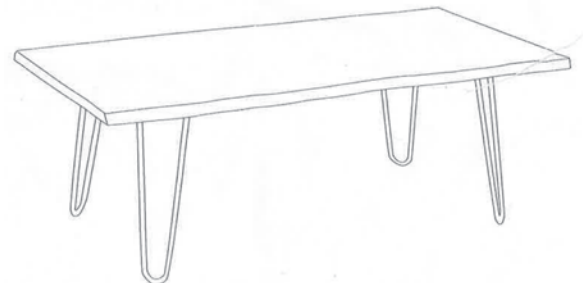
1) Place Table Top on smooth surface.



2) Use Bolt to Attach Table Legs to Table Top. Do not tighten completely.



3) Attach remaining Table Legs using Bolts.



4) When complete, tighten all bolts with hex wrench.

If you experience a problem, have questions or need parts for this product, visit our website call Customer Service at **1-636-532-9888, Monday-Friday, 8 AM - 4 PM Central Time**