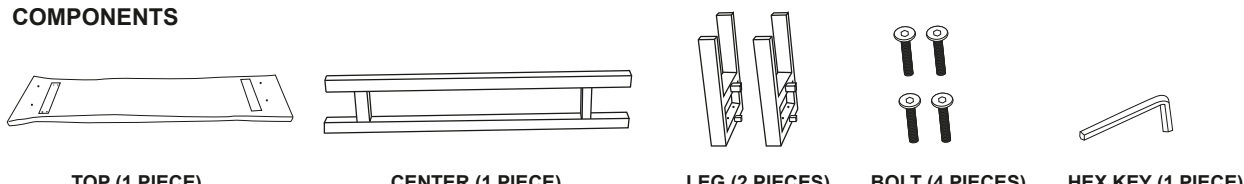


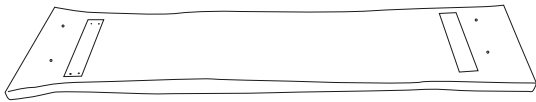
ITEM # AWLECT46B
ASSEMBLY INSTRUCTIONS ACACIA WOOD LIVE EDGE COFFEE TABLE
MAX WEIGHT CAPACITY 330 LB

COMPONENTS



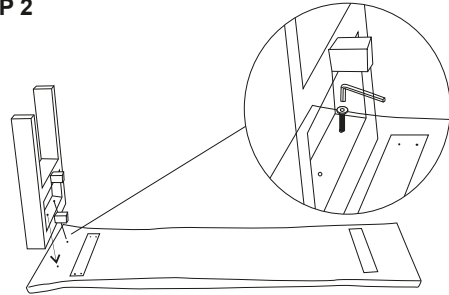
TOP (1 PIECE) CENTER (1 PIECE) LEG (2 PIECES) BOLT (4 PIECES) HEX KEY (1 PIECE)

STEP 1



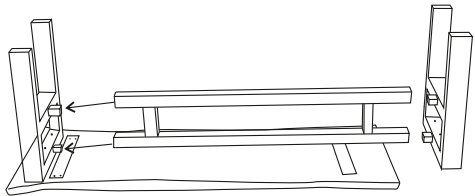
Position the TOP PIECE upside down on a smooth, flat surface. Be certain the surface will not scratch the Top Piece.

STEP 2



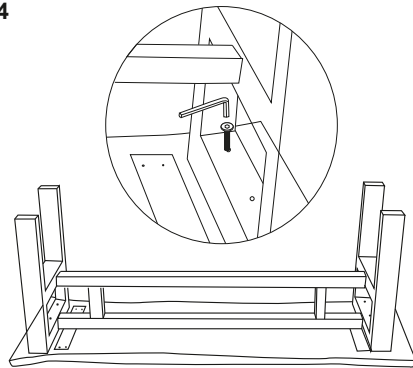
Use the Hex Key and two Bolts to attach one LEG. Keep the bolts loose until the bench is fully assembled.

STEP 3

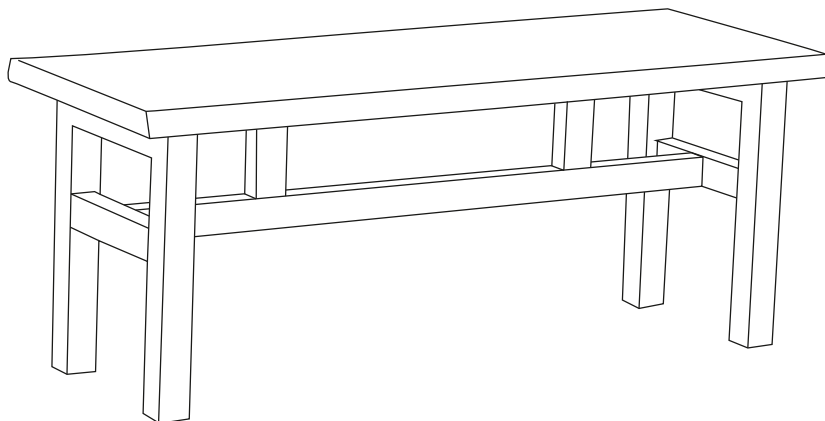


Insert the CENTER PIECE into the LEG. Then use the Hex Key and two Bolts to attach the remaining LEG .

STEP 4



When the CENTER is properly installed between both LEGS, you can fully tighten the four Bolts.



HAVE QUESTIONS? NEED ASSISTANCE? CONTACT CUSTOMER SERVICE 1-636-532-9888