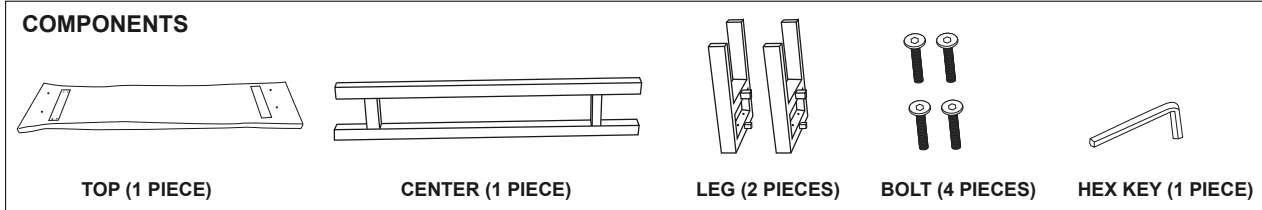


ITEM # AWLEB46B / AWLEB46W ASSEMBLY INSTRUCTIONS ACACIA WOOD LIVE EDGE BENCH

MAX WEIGHT CAPACITY 330 LB

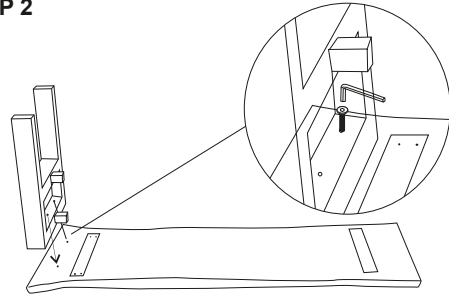


STEP 1



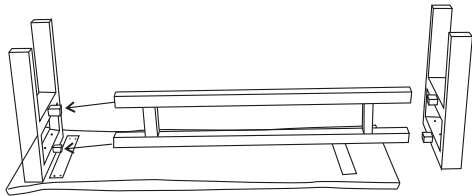
Position the TOP PIECE upside down on a smooth, flat surface. Be certain the surface will not scratch the Top Piece.

STEP 2



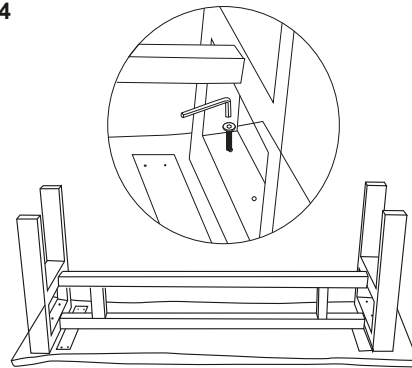
Use the Hex Key and two Bolts to attach one LEG. Keep the bolts loose until the bench is fully assembled.

STEP 3

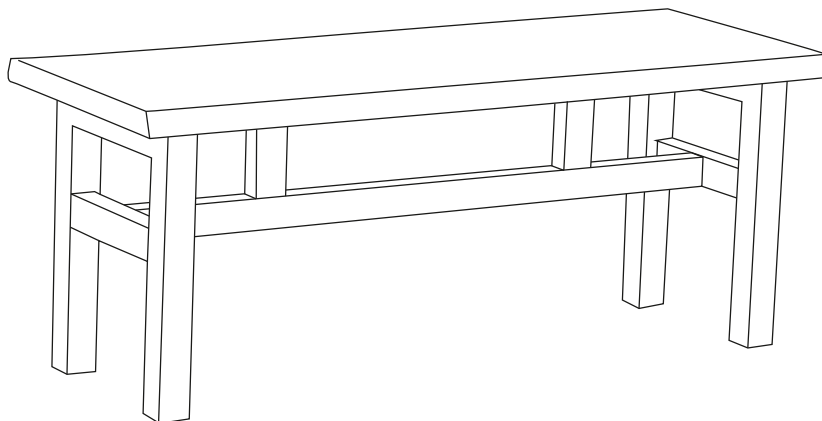


Insert the CENTER PIECE into the LEG. Then use the Hex Key and two Bolts to attach the remaining LEG.

STEP 4



When the CENTER is properly installed between both LEGS, you can fully tighten the four Bolts.



HAVE QUESTIONS? NEED ASSISTANCE? CONTACT CUSTOMER SERVICE 1-636-532-9888