

TOMAHAWK

TW3H
WATER PUMP

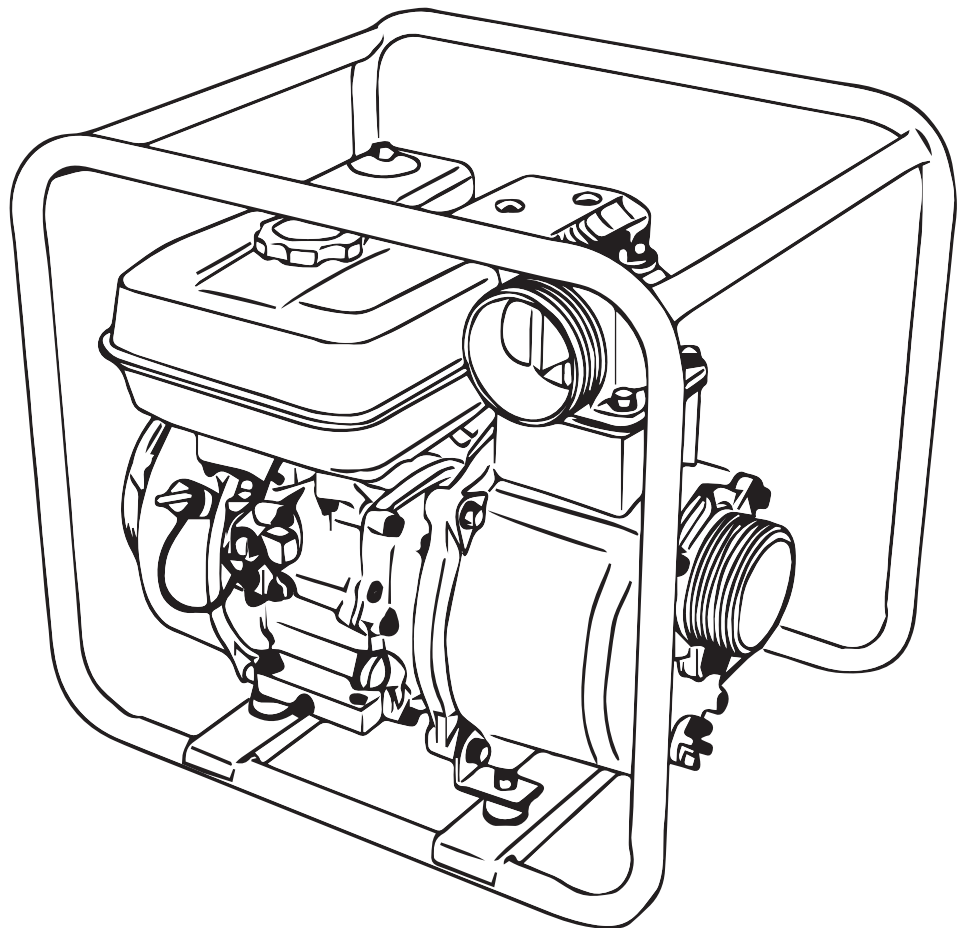
Operation Manual

HONDA
ENGINES

SCAN FOR HOW TO GUIDE



HOW TO VIDEOS, GUIDES,
MANUALS, & MORE



FIND THE HOW TO GUIDE ON



TABLE OF CONTENTS

1. Safety Information	4
1.1 Laws Pertaining to Spark Arresters	5
1.2 Operating Safety	5
1.3 Safety While Using Combustion Engines	6
1.4 Service Safety	6
2. Product Details	7
2.1 Product Diagram	7
2.2 Specifications	8
3. Pre-Operation Check	8
3.1 Check the Suction and Discharge Hoses	8
3.2 Check the Engine	8
4. Operation	9
4.1 Operating Controls	9
4.2. Check the Engine Oil Level	9
4.3 Motor Oil	10
4.4 Checking Oil	10
4.5 Check Engine Fuel	11
4.6 Check Fuel Level	11
5. Start Up	11
6. Changing Engine Oil	12
7. Maintenance	14
8. Troubleshooting	15
9. Limited Warranty	16
10. Parts Manual	19
11. Tomahawk Catalog and Coupon	22

Register Your Equipment

Thank you for purchasing TOMAHAWK equipment! Your product is covered by the TOMAHAWK Warranty policy, but in order to activate your warranty, we need you to register your product. In addition to activating your equipment warranty, product registration will grant you access to important product updates, streamlined customer service and more.

INCLUDED WITH YOUR REGISTRATION

- ✓ Equipment Warranty Activation
- ✓ Product Updates
- ✓ Streamlined Customer Service
- ✓ Exclusive Discounts and Sales

STEPS TO REGISTER YOUR EQUIPMENT

1. Visit www.tomahawk-power.com
2. Choose “Product Registration” at the bottom of the page
3. Enter your equipment’s serial number to get started
4. Provide all required information
5. Submit Registration

Equipment Resources

Tomahawk Customer Service doesn’t stop at checkout. We understand to keep a job-site running smoothly - the proper equipment, spare parts, instruction manuals, and more are needed at the drop of a hat. Visit www.tomahawk-power.com to gain access to the incredible resources below.

How To Video Library

More of a visual person? Visit our Video Library for equipment assembly instructions, troubleshooting tips, and more!

Found on each product listing or the Service Videos Page

Manual and Assembly Guide Library

Visit our Manual Library if you are looking for a lost operations manual or a particular spare part?

Found on each product listing or the Tomahawk Manuals Page

Service Requests

In need of a quick fix or a service center referral? Submit a Service Request and a Tomahawk Technician will respond shortly to get you the help you need.

Choose “Service Request” at the bottom of www.tomahawk-power.com



This manual provides information and procedures to safely operate and maintain this equipment. For your own safety and protection from injury, carefully read, understand and observe the safety instructions described in this manual.

Keep this manual or a copy of it with the equipment. If you lose this manual or need an additional copy, please contact Tomahawk Power LLC or visit www.tomahawk-power.com This equipment is built with user safety in mind; however, it can present hazards if improperly operated and serviced. Follow operating instructions carefully. If you have questions about operating or servicing this equipment, contact Tomahawk Power.

The information contained in this manual is based on equipment's production at the time of publication. Tomahawk Power reserves the right to change any portion of this information without notice.

No part of this publication may be reproduced in any form or by any means, electronic or mechanical, including photocopying, without express written permission from Tomahawk Power.

Any type of reproduction or distribution not authorized by Tomahawk Power represents an infringement of valid copyrights and will be prosecuted. We expressly reserve the right to make technical modifications, even without due notice, which aim at improving our machines or their safety standards.

1. Safety Information

This manual contains DANGER, WARNING, CAUTION, and NOTE callouts which must be followed to reduce the possibility of personal injury, damage to the equipment, or improper service.



This is the safety alert symbol. It is used to alert you to potential personal injury hazards. Obey all safety messages that follow this symbol to avoid possible injury or death.



DANGER indicates an imminently hazardous situation which, if not avoided, will result in death or serious injury.



WARNING indicates a potentially hazardous situation which, if not avoided, could result in death or serious injury.



CAUTION indicates a potentially hazardous situation which, if not avoided, may result in minor or moderate injury.

CAUTION: Used without the safety alert symbol, **CAUTION** indicates a potentially hazardous situation which, if not avoided, may result in property damage.

1.1 Laws Pertaining to Spark Arresters

Notice: State Health Safety Codes and Public Resources Codes specify that in certain locations spark arresters be used on internal combustion engines that use hydrocarbon fuels. A spark arrester is a device designed to prevent accidental discharge of sparks or flames from the engine exhaust. Spark arresters are qualified and rated by the United States Forest Service for this purpose.

In order to comply with local laws regarding spark arresters, consult the engine distributor or the local Health and Safety Administrator.

1.2 Operating Safety



Familiarity and proper training are required for the safe operation of equipment! Equipment operated improperly or by untrained personnel can be dangerous! Read the operating instructions contained in both this manual and the engine manual and familiarize yourself with the location and proper use of all controls. Inexperienced operators should receive instruction from someone familiar with the equipment before being allowed to operate the machine.

1.2.1 NEVER allow anyone to operate this equipment without proper training. People operating this equipment must be familiar with the risks and hazards associated with it.

1.2.2 NEVER touch the engine or muffler while the engine is on or immediately after it has been turned off. These areas get hot and may cause burns.

1.2.3 NEVER use accessories or attachments that are not recommended by Tomahawk Power. Damage to equipment and injury to the user may result.

1.2.4 NEVER leave machine running unattended.

1.2.5 ALWAYS be sure operator is familiar with proper safety precautions and operation techniques before using machine.

1.2.6 ALWAYS wear ANSI Z87.1-approved safety goggles or safety glasses with side shields, or when needed, a face shield. Use a dust mask in dusty work conditions. Also use non-skid safety shoes, hardhat, gloves, dust collection systems, and hearing protection when appropriate. This applies to all persons in the work area.

1.2.7 ALWAYS close fuel valve on engines equipped with one when machine is not being operated.

1.2.8 ALWAYS store equipment properly when it is not being used. Equipment should be stored in a clean, dry location out of the reach of children.

1.2.9 ALWAYS operate machine with all safety devices and guards in place and in working order. DO NOT modify or remove safety devices. DO NOT operate machine if any safety devices or guards are missing or inoperative.

1.2.10 ALWAYS read, understand, and follow procedures in Operator's Manual before attempting to operate equipment.

1.3 Safety While Using Combustion Engines



Internal combustion engines present special hazards during operation and fueling! Read and follow warning instructions in engine owner's manual and safety guidelines below. Failure to follow warnings and DANGER safety guidelines could result in severe injury or death.

1.3.1 DO NOT run machine indoors or in an enclosed area such as a deep trenches unless there is adequate ventilation, through such items as exhaust fans or hoses are provided. Gasoline exhaust from the engine contains poisonous carbon monoxide gas; exposure to carbon monoxide can cause loss of consciousness and may lead to death.

1.3.2 DO NOT smoke while operating machine.

1.3.3 DO NOT smoke when refueling engine.

1.3.4 DO NOT refuel hot or running engine.

1.3.5 DO NOT refuel engine near open flame.

1.3.6 DO NOT spill fuel when refueling engine.

1.3.7 DO NOT run engine near open flames.

1.3.8 ALWAYS refill fuel tank in well-ventilated area.

1.3.9 ALWAYS replace fuel tank cap after refueling.

1.3.10 ALWAYS check fuel lines and fuel tank for leaks and cracks before starting engine.

1.3.11 DO NOT run machine if fuel leaks are present or fuel lines are loose.

1.4 Service Safety



Poorly maintained equipment can become a safety hazard! In order for the equipment to operate safely and properly over a long period of time, periodic maintenance and occasional repairs are necessary.

1.4.1 DO NOT attempt to clean or service machine while it is running. Rotating parts can cause severe injury.

1.4.2 DO NOT crank a flooded engine with the spark plug removed on gasoline-powered engines. Fuel trapped in the cylinder will squirt out the spark plug opening.

1.4.3 DO NOT test for spark on gasoline-powered engines, if engine is flooded or the smell of gasoline is present. A stray spark could ignite fumes.

1.4.4 DO NOT use gasoline or other types of fuels or flammable solvents to clean parts, especially in enclosed areas. Fumes from fuels and solvents can become explosive.

1.4.5 ALWAYS keep area around muffler free of debris such as leaves, paper, cartons, etc. A hot muffler could ignite them, starting a fire.

1.4.6 ALWAYS replace worn or damaged components with spare parts designed and recommended by Tomahawk Power.

1.4.7 ALWAYS disconnect spark plug on machines equipped with gasoline engines, before servicing, to avoid accidental start-up.

1.4.8 ALWAYS keep machine clean and labels legible. Replace all missing and hard-to-read labels. Labels provide important operating instructions and warn of dangers and hazards.

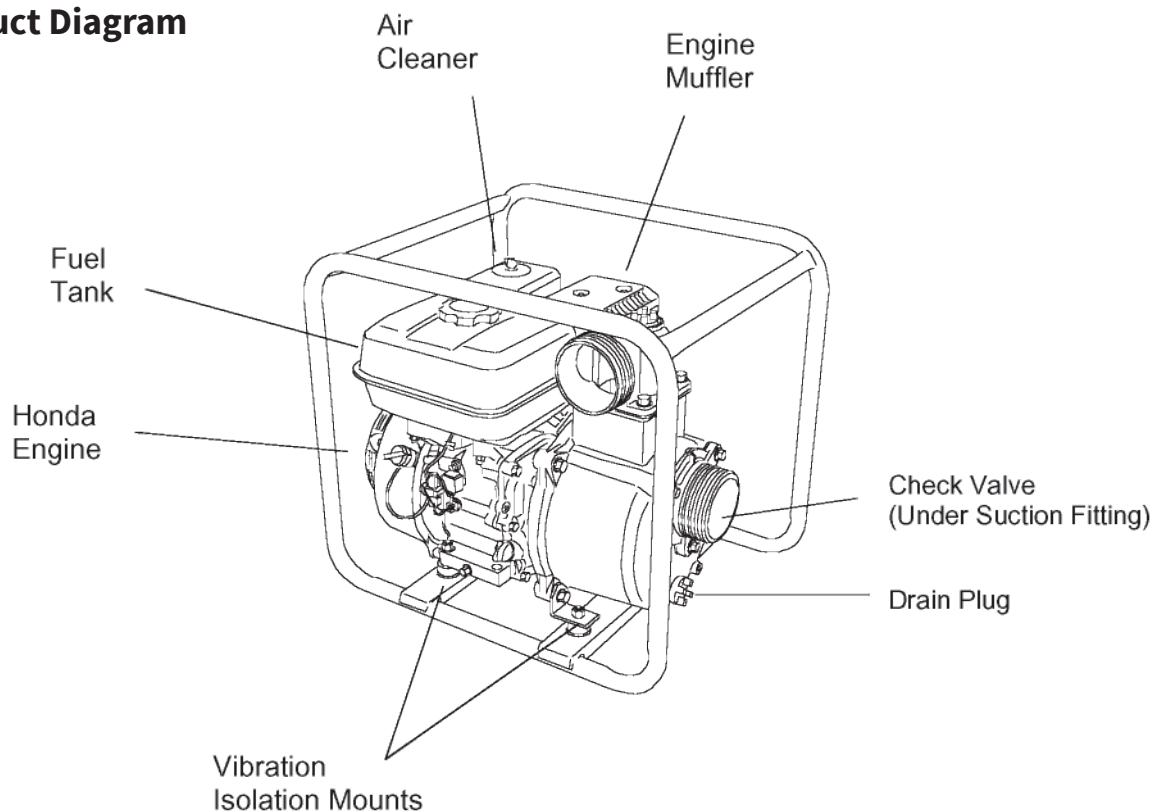
1.4.9 ALWAYS check for damaged parts before each use. Carefully check that the equipment will operate properly and perform its intended function. Replace damaged or worn parts immediately. Never operate the screed with a damaged part.

1.4.10 ALWAYS inspect the machine prior to placing in storage and before re-use. Store the machine in a dry, secure place out of the reach of children when not in use.

1.4.11 ALWAYS use only accessories that are recommended by the manufacturer for use with the machine. Accessories that may be suitable for one machine may create a risk of injury when used with the machine.

2. Product Details

2.1 Product Diagram



2.2 Specifications

Model	TW3H
Outlet Diameter	3" X 3"
Max Total Head	89ft
Suction Head	25ft
Max Discharge	340 gal/min
Engine Model	GX240
Engine Brand	Honda
Horsepower	8
Run Time	3.25 hrs
Fuel Tank Capacity	1.5 gal
Weight	93 lbs
Product Warranty	2 Year
Engine Warranty	3 Year

3. Pre-Operation Check

3.1 Check the Suction and Discharge Hoses

3.1.1 Check the general condition of the hoses. Be sure the hoses are in serviceable condition before connecting them to the pump. Remember that the suction hose must be reinforced construction to prevent hose collapse.

3.1.2 Check that the sealing washer in the suction hose connector is in good condition.

3.1.3 Check that the hose connectors and clamps are securely installed.

3.1.4 Check that the strainer is in good condition and is installed on the suction hose.

3.2 Check the Engine

3.2.1 Check the oil level. To avoid the inconvenience of an unexpected shut-down by the Oil Alert system, always check the engine oil level before startup.

3.2.2 Check the air filter. A dirty air filter will restrict air flow to the carburetor, reducing engine and pump performance.

3.2.3 Check the fuel level. Starting with a full tank will help to eliminate or reduce operating interruptions for refueling.

4. Operation

4.1 Operating Controls

4.1.1 The centrifugal pump is operated using the engine operating controls. The engine controls are located at the engine end of the pump frame.

4.1.2 The controls consist of a throttle lever (for speed control), choke lever (for cold weather starting), fuel shutoff lever (to prevent fuel spills), and a recoil starter (to turnover engine by hand). (Refer to Figure-3.)

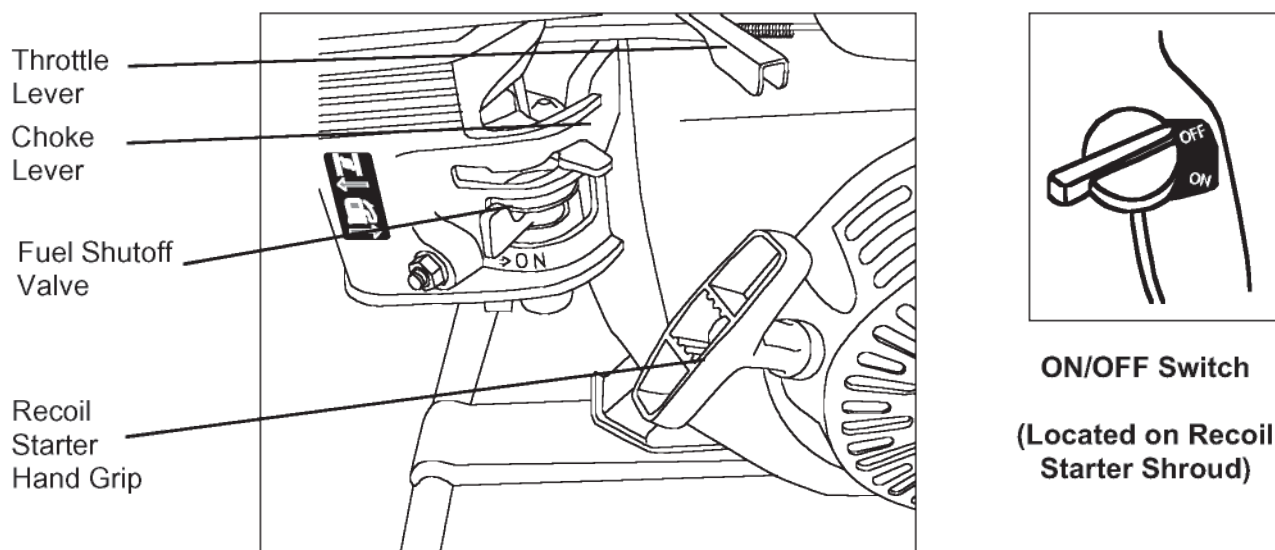


FIGURE-3

4.2. Check the Engine Oil Level



- ENGINE OIL IS A MAJOR FACTOR AFFECTING PERFORMANCE AND SERVICE LIFE. NON-DETERGENT OILS AND 2-STROKE OILS ARE NOT RECOMMENDED BECAUSE THEY HAVE INADEQUATE LUBRICATING CHARACTERISTICS
- CHECK THE OIL LEVEL WITH THE ENGINE ON A LEVEL SURFACE AND THE ENGINE STOPPED.

4.3 Motor Oil

Use Honda 4-stroke oil, or use an equivalent high detergent, premium quality motor oil certified to meet or exceed U.S. automobile manufacturer's requirements for Service Classification SG, SF. Motor oils classified SG, SF will show this designation on the container. SAE 10W/30 is recommended for general, all-temperature use. Other viscosity grades (see Figure-4) may be used when the average temperature in your area is within the indicated range.

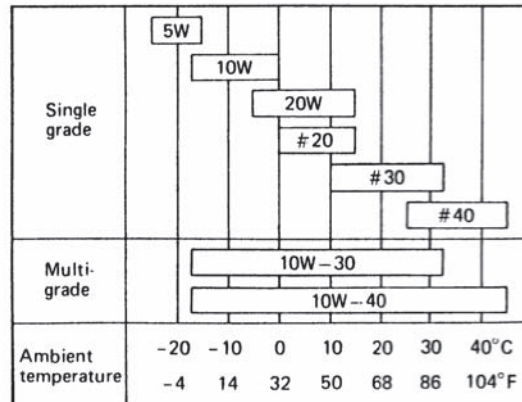


FIGURE-4

4.4 Checking Oil

When checking oil, observe the following (refer to Figure-5):

- 4.4.1 Make sure the engine is in a level position.
- 4.4.2 Remove the oil filler cap/dipstick and wipe it clean.
- 4.4.3 Insert the filler cap/dipstick into the oil filler neck, but do not screw it in.
- 4.4.4 Remove the filler cap/dipstick and check the oil level.
- 4.4.5 If the level is low, fill to the top of the oil filler neck with the recommended oil.
- 4.4.6 Reinstall the oil filler cap/dipstick.

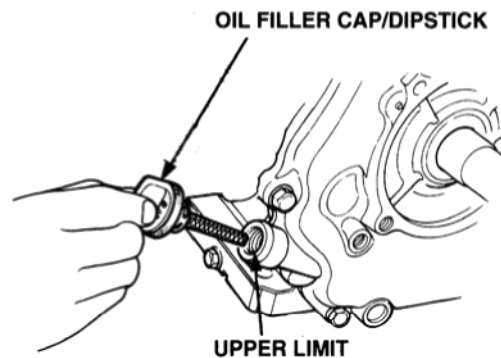


FIGURE-5

4.5 Check Engine Fuel



- MAKE SURE YOU REVIEW EACH WARNING IN ORDER TO PREVENT FIRE HAZARD.
- DO NOT REFILL TANK WHILE ENGINE IS RUNNING OR HOT.
- CLOSE FUEL SHUT OFF VALVE BEFORE REFUELING.
- BE CAREFUL NOT TO GET DUST, DIRT, WATER OR OTHER FOREIGN OBJECTS INTO FUEL.
- WIPE OFF SPILLED FUEL THOROUGHLY BEFORE STARTING ENGINE.
- KEEP AWAY FROM OPEN FLAMES.
- DO NOT USE SMOKING MATERIALS WHEN FILLING THE FUEL TANK.
- DO NOT REFUEL WHILE SMOKING OR NEAR OPEN FLAME OR OTHER SUCH POTENTIAL FIRE HAZARDS. OTHERWISE FIRE ACCIDENT MAY OCCUR.
- AVOID REPEATED OR PROLONGED CONTACT WITH SKIN OR BREATHING OF VAPOR.
- KEEP OUT OF REACH OF CHILDREN.

4.6 Check Fuel Level

A. Remove cap from fuel tank. If fuel level is low, refill with unleaded automotive gasoline.

5. Start Up

5.1 Pre-Start Checks



- MAKE SURE YOU REVIEW EACH WARNING IN ORDER TO PREVENT FIRE HAZARD.
- KEEP AREA CLEAR OF FLAMMABLES OR OTHER HAZARDOUS MATERIALS.

5.1.2 Check the following items before starting the engine.

5.1.3 Fuel leakage from fuel hose, sediment cup, etc.

5.1.4 Bolts and nuts for looseness. Components for damage or breakage.

5.1.5 Check centrifugal pump surroundings.

5.1.6 Keep centrifugal pump at least three (3) feet (one [1] meter) away from buildings or other structures.

5.1.7 Only operate centrifugal pump in a dry, well-ventilated area.

5.1.8 Keep exhaust pipe clear of foreign objects.

5.1.9 Keep centrifugal pump away from open flame.

5.1.10 Keep centrifugal pump on a stable and level surface.

5.1.11 Do not block centrifugal pump air vents with paper or other material.

5.2 Starting and Operating the Engine

5.2.1 Refer to the Honda engine owner's manual.

5.2.2 Put the fuel valve in the ON position.

5.2.3 Move the choke lever to the closed position.



The choke may not be needed if the engine is warm or the air temperature is high.

5.2.4 Set the ON/OFF switch to ON (the ON/OFF switch is mounted on the recoil shroud).

5.2.5 Move the throttle lever slightly to the left.

5.2.6 Pull the starter grip lightly until resistance is felt, then pull briskly.



- Do not allow the starter grip to snap back against the engine. Return it gently to prevent damage to the starter.

5.2.7 As the engine warms up, gradually move the choke lever to the OPEN position.

5.3 Using the Centrifugal Pump

5.3.1 Connect suction and discharge hoses. Make sure suction hose is fitted with a strainer.
B. Remove priming plug from top of pump and fill chamber with water.

5.3.2 Operate the engine at idle speed for 3 to 5 minutes.

5.3.3 After engine warm up, move the throttle lever to the operating speed.

5.4 Stopping the Centrifugal Pump

5.4.1 Move the throttle lever fully to the right.

5.4.2 Set the ON/OFF switch to OFF.

5.4.3 Turn the fuel valve to the OFF position.

6. Changing Engine Oil

6.1 Oil Alert

6.1.1 The oil alert sensor detects the lowering of the oil level in the crankcase and automatically stops the engine when the oil level falls below the predetermined level.

6.1.2 When the engine stops automatically, check the oil level. Refill engine oil to the upper level and restart the engine.

6.1.3 If the engine does not start by usual starting procedures, check the oil level.

6.2 Changing Engine Oil

6.2.1 An initial oil change should be performed after the first twenty- (20) hours of use. Thereafter, change oil every 200 hours or as directed on the oil packaging.

6.2.2 Before changing the oil, check for a suitable way to dispose of the used oil. Do not pour it down sewer drains, onto garden soil or into open streams. Refer to your local zoning and environmental regulations for disposal and handling requirements.

6.2.3 Drain the oil while the engine is still warm to assure rapid and complete draining.

6.2.4 Remove the oil filler dipstick/cap and drain plug. Allow oil to drain from the engine (refer to Figure-6).

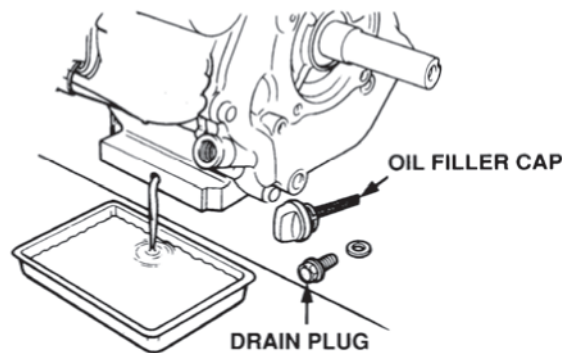


FIGURE-6

6.2.5 Install the drain plug, and tighten it securely.

6.2.6 Refill with the recommended oil (refer to Figure 2-2).

6.2.7 After filling with oil, check the oil level.

6.2.8 When oil reaches the upper limit, install the oil filler dipstick/cap (Figure-7).

NOTE:

- Engine oil capacity:
1.1 liters (1.16 U.S. Quart)

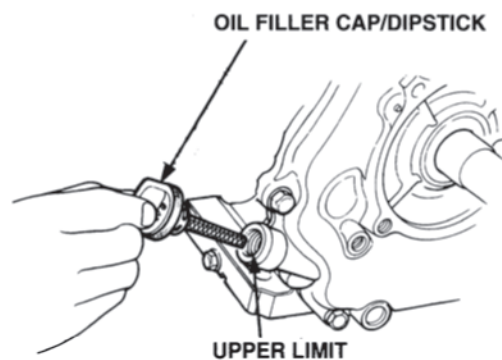


FIGURE-7

7. Maintenance

To maintain the centrifugal pump in peak operating condition, observe and implement the maintenance and adjustment schedule in the table below. Inspect and/or service the centrifugal pump at the intervals shown below.

	DAILY BEFORE STARTING	AFTER FIRST 50 HOURS OR 3 MONTHS	AFTER FIRST 200 HOURS OR 8 MONTHS	AFTER FIRST 500 HOURS OR EVERY YEAR	AFTER FIRST 1000 HOURS OR EVERY 2 YEARS
Check the fuel and oil levels	●				
Check and tighten the external hardware	●				
Wash cleaner element		●			
Check spark plug and clean if necessary		●			
Change engine oil			●		
Adjust spark plug gap			●		
Clean fuel strainer			●		
Replace spark plug and cleaner element				●	
Clean and adjust carburetor, valve clearance, and valve seat along with cylinder head				●	
Check rotor and stator					●
Replace engine isolation mounts					●
Overhaul engine					●
Change fuel lines					●

8. Troubleshooting

The troubleshooting tables below can be used as a guide to isolate centrifugal pump faults. Refer to these tables when the engine fails to start after several attempts. If, after following these procedures, the pump fails to start, contact the nearest Tomahawk pump dealer.

Fault	Probable Cause	Solution
Pump does not pump.	Insufficient priming water Mechanical seal chipped or broken Check valve damaged Suction hose damaged or strainer clogged Air leaks caused by O-ring damage	Add more water through priming plug Replace mechanical seal Replace check valve Replace hose. Clean strainer Replace O-rings
Discharge flow or pump pressure too low.	Air leaks caused by O-ring damage Suction hose or strainer clogged Excessive impeller clearance Engine RPM too low Lift head too high	Replace O-rings Replace hose. Clean strainer Disassemble to obtain casing cover and impeller. Determine clearance and reshim as required (refer to Replacement of Mechanical Seal) Check RPM and reset throttle as required Lower lift head
Pump primes too slowly.	Insufficient priming water Mechanical seal chipped or broken Check valve damaged Suction hose damaged or strainer clogged Air leaks caused by O-ring damage Engine RPM too low Lift head too high	Add more water through priming plug Replace mechanical seal Replace check valve Clean strainer. Replace hose Check RPM and reset throttle as required Lower lift head
Noise or vibration	Faulty mounting	Pump/engine attaching parts loose. Tighten as required. Damaged vibration isolation mounts. Replace mounts.

9. Limited Warranty

Tomahawk Power LLC. ("We" or "Us") warrants to the original purchaser only ("You" or "Your") that the Tomahawk product purchased will be free from material defects in both materials and workmanship, normal wear and tear excepted, for a period of 1 year from date of purchase. The foregoing warranty is valid only if the installation and use of the product is strictly in accordance with product instructions. There are no other warranties, express or implied, including the warranty of merchantability or fitness for a particular purpose. If the product does not comply with this limited warranty, Your sole and exclusive remedy is that We will, at our sole option and within a commercially reasonable time, either replace the product or product component without charge to You or refund the purchase price (less shipping). This limited warranty is not transferable.

Limitations on the Warranty

This limited warranty does not cover: (a) normal wear and tear; (b) damage through abuse, neglect, misuse, or as a result of any accident or in any other manner; (c) damage from misapplication, overloading, or improper installation; (d) improper maintenance and repair; and (e) product alteration in any manner by anyone other than Us, with the sole exception of alterations made pursuant to product instructions and in a workmanlike manner.

Obligations of Purchaser

You must retain Your product purchase receipt to verify date of purchase and that You are the original purchaser. To make a warranty claim, contact Us at (866) 577-4476, identify the product by make and model number, and follow the claim instructions that will be provided. The product and the purchase receipt must be provided to Us in order to process Your warranty claim. Any returned product that is replaced or refunded by Us becomes our property. You will be responsible for return shipping costs or costs related to Your return visit to a retail store.

Remedy Limits

Product replacement or a refund of the purchase price is Your sole remedy under this limited warranty or any other warranty related to the product. We shall not be liable for: service or labor charges or damage to Your property incurred in removing or replacing the product; any damages, including, without limitation, damages to tangible personal property or personal injury, related to Your improper use, installation, or maintenance of the product or product component; or any indirect, incidental or consequential damages of any kind for any reason.

Assumption of Risk

You acknowledge and agree that any use of the product for any purpose other than the specified use(s) stated in the product instructions is at Your own risk.

Governing Law

This limited warranty gives You specific legal rights, and You also may have other rights which vary from state to state. Some states do not allow limitations or exclusions on implied warranties or incidental or consequential damages, so the above limitations may not apply to You. This limited warranty is governed by the laws of the State of California, without regard to rules pertaining to conflicts of law. The state courts located in San Diego County, California shall have exclusive jurisdiction for any disputes relating to this warranty.

TRUSTED NATIONWIDE



Powered by the industry's most reliable Honda GX35 engine, maintain constant, adjustable pressure from 50 - 500 PSI with a high flow rate of 2.8GPM to help you cover more area so you can finish jobs faster!



Item #: TBS500

**1.3HP SKID SPRAYER
+ 100FT HOSE & REEL**

www.tomahawk-power.com





WORK SMARTER. NOT HARDER.

Work up to 8 hours on a single charge and never break a sweat with the versatility of a 92° hydraulic tilt range for headache-free dumping!



Item #: TBUGGY300e

**HYDRAULIC BATTERY
660^{LBS} CAP. POWER BUGGY**

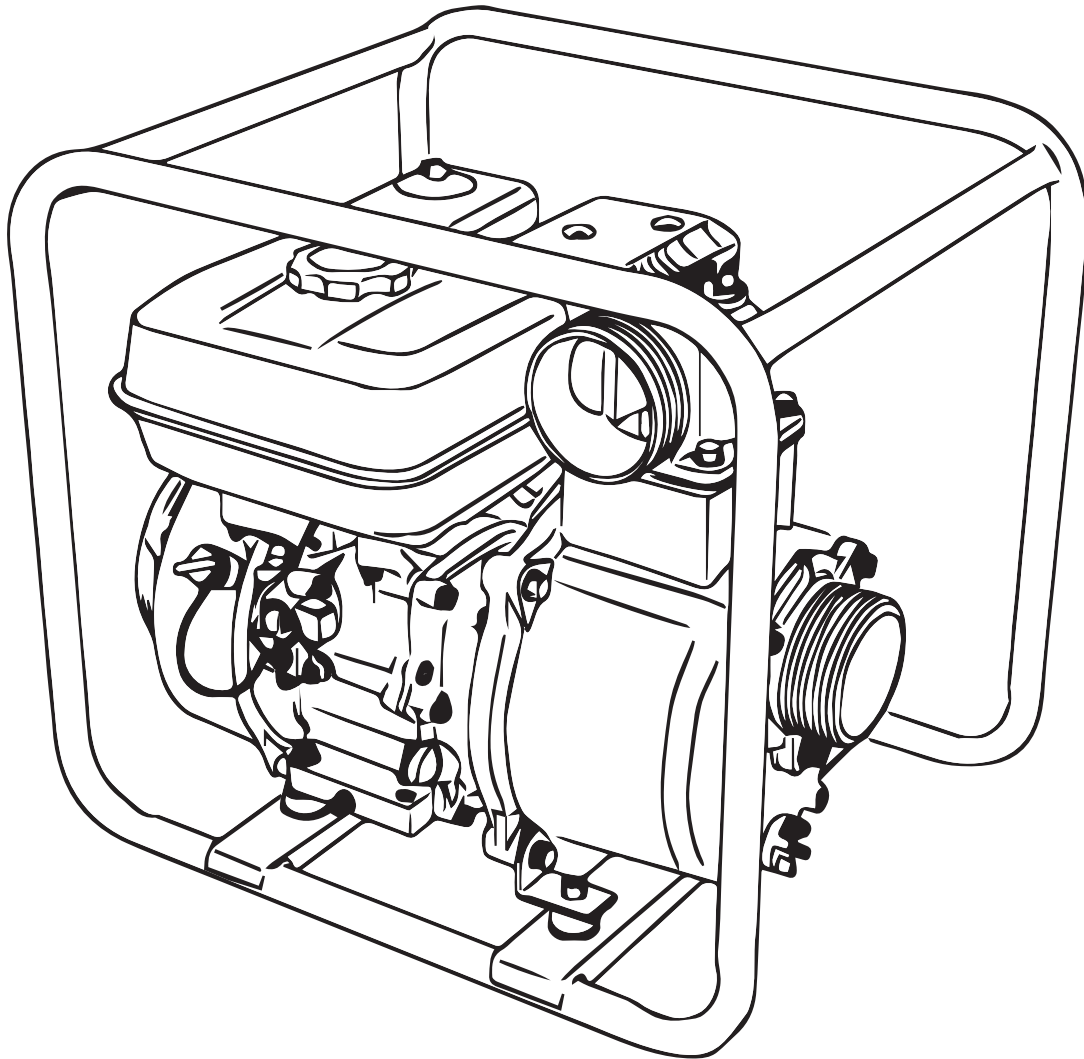
www.tomahawk-power.com



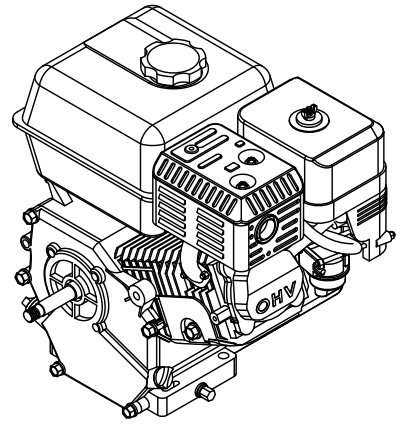
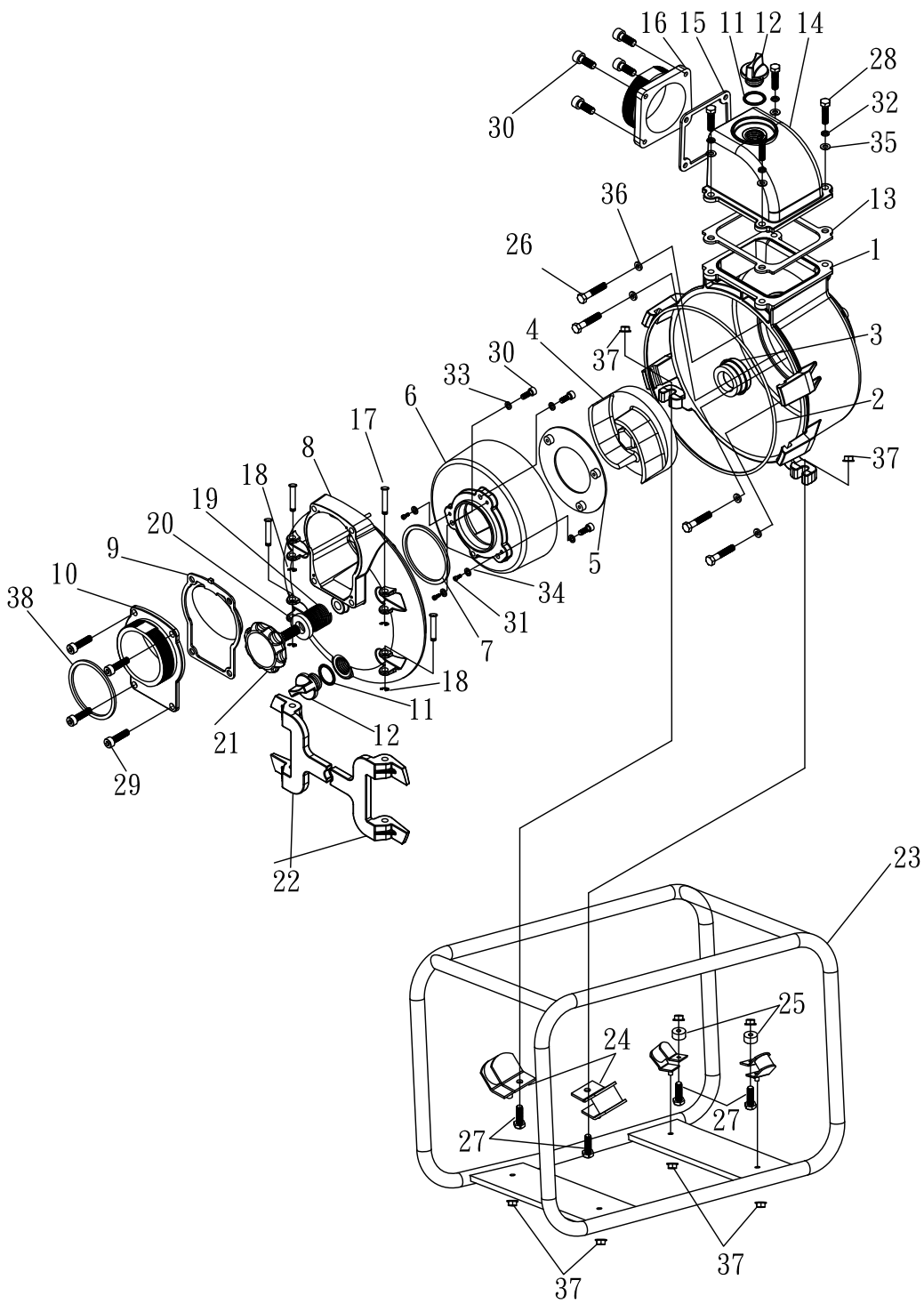
TOMAHAWK

TW3H
FULL TRASH PUMP

Parts Manual



TW3H FULL TRASH PUMP



TW3H FULL TRASH PUMP

Part No.	Reference No.	Description	Qty
30T2- 1	420012210000	Casing	1
30T2- 2	140002201000	240Mm O-Ring	1
30T2- 3	170002200000	W-Type Mechanical Seal	1
30T2-4	130002322000	Impeller	1
30T2-5	130142200000	Circle Packing	1
30T2-6	230032320000	Volute	1
30T2-7	140022201000	Volute Gasket- 88.5Mm	1
30T2-8	220052200100	Cover	1
30T2-9	140042321000	Check Valve (Flapper)	1
30T2-10	330012321100	Suction Flange	1
30T2-11	140000001000	23.7Mm O-Ring	2
30T2-12	140070000000	Cap Plug	2
30T2-13	140032201100	Square Packing (Delivery)	1
30T2-14	220032200000	Delivery Housing	1
30T2-15	140032201000	Square Packing (Flange)	1
30T2-16	330022321100	Flange	1
30T2-17	170100022000	Pin, Hinge	4
30T2-18	170100322000	Pin, Lock (E)	4
30T2-19	170112200000	Spring	1
30T2-20	185041331863	Falte Washer	1
30T2-21	280070122001	Screw (Depressor)	1
30T2-22	220042200000	Depressor	2
30T2-23	331010203200	Roll Cage Mh030T-2	1
30T2-24	341100010000	Rubber Foot Mat (Front)	4
30T2-25	140240000000	Rubber Foot Mat (Rear)	2
30T2-26	180170080251	M8*25 Screw	4
30T2-27	180130080400	M8*40 Screw	2
30T2-27	180130080200	M8*20 Screw	2
30T2-28	180130080300	M8*30 Screw	4
30T2-29	180070080201	M8*20 Screw (Cap)	8
30T2-30	180070060201	M6*20 Screw (Cap)	3
30T2-31	180070050121	M5*12 Screw (Cap)	3
30T2-32	185050080000	M8 Spring Washer	4
30T2-33	185050060000	M6 Spring Washer	3
30T2-34	185050050000	M5 Spring Washer	3
30T2-35	185040816010	Flat Washer	4
30T2-36	185060813850	Aluminum Washer	4
30T2-37	185010080120	Nut	8
HONDA GX240	N/A	Engine	1

TOMAHAWK

PRODUCT CATALOG

COMPACTION



HONDA
ENGINES

3,550 lbs/ft Vibratory Rammer
Part#: TR68H

3.6 HP Honda GXR120 Engine
Easily achieve a 100% compaction rating
3-in-One Fuel System with carburetor protection
13" x 11" plate for narrow trenches and corners
3 Year Engine Warranty & 1 Year Product Warranty



HONDA
ENGINES

3,400 lbs/ft Plate Compactor
Part#: TPC90H

5.5 HP Honda GX160 Engine
Easily achieve a 100% compaction rating
22" x 20" cold, rolled steel beveled base plate
Includes 3.5 gallon water tank for asphalt compaction
3 Year Engine Warranty & 1 Year Product Warranty



HONDA
ENGINES

KOHLER
ENGINES

3,000 lbs/ft Plate Compactor
Part#: TPC80 & TPC80H

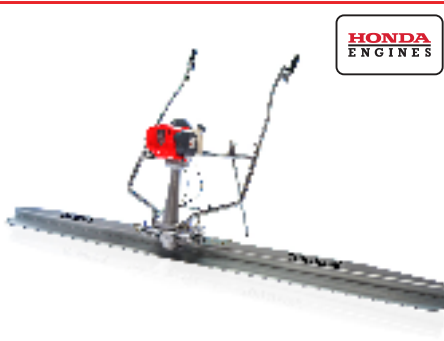
6 HP Kohler CH260 & 5.5 HP Honda GX160 Engines
Easily achieve a 100% compaction rating
16.5" x 21.5" plate for narrow trenches and corners
Optional Honda Engine model: TPC80H
3 Year Engine Warranty & 1 Year Product Warranty

FINISHING



6.5 Gal Backpack Concrete Sprayer
Part#: TCS6.5

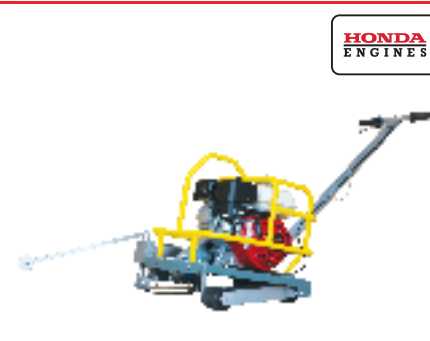
Maintain constant, adjustable pressure up to 450 PSI
Achieve superior concrete finishes with even spraying
Spray 15,000 sq ft in less than 10 minutes
Compatible with major manufacturer wands
1 Year Product Warranty



HONDA
ENGINES

1.6 HP Vibratory Concrete Screed
Part#: TVSA-H

1.6 HP Honda GX35 Engine
Aluminum Magnesium blades available from 8ft - 14ft
Finish concrete 4X faster than other screed methods
360° adjustable handle placement
3 Year Engine Warranty & 1 Year Product Warranty



HONDA
ENGINES

6" Early Entry Green Concrete Saw
Part#: TFS6H

5.5 HP Honda GX160 Engine
Maximum cutting depth of 1 3/16 inches
OSHA compliant vacuum port for dust collection
Includes 6" early entry concrete blade
3 Year Engine Warranty & 1 Year Product Warranty

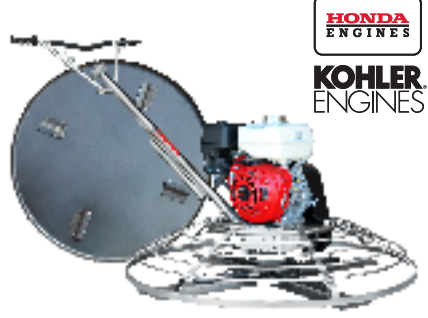
FINISHING



HONDA
ENGINES

1.6HP Backpack Concrete Vibrator
Part#: TVIBH + TVW10-P

1.6 HP Honda GX35 engine
Consolidation with speeds of 10,000-12,000 VPM
Quick Connect centrifugal clutch vibrator
1" and 2" Diameter Whips Available in 10ft Length
3 Year Engine Warranty & 1 Year Product Warranty



HONDA
ENGINES

KOHLER
ENGINES

36" & 46" Concrete Power Trowel
Part#: TPT36H/K & TPT46H/K

6 HP/14HP Kohler & 5.5HP/8.5HP Honda Engines
Adjust trowel blade pitch from 0-28°
60-115 RPM rotor speed for superior concrete finishes
Includes float pan and trowel blades
3 Year Engine Warranty & 1 Year Product Warranty



HONDA
ENGINES

8" Gas Powered Concrete Scarifier
Part#: TSCAR8H

5.5 HP Honda GX160 Engine
Remove traffic lines at 800 - 1,000 linear ft/hr
Tungsten Carbide Blade Kit Available
OSHA approved dust port for silica vacuum removal
3 Year Engine Warranty & 1 Year Product Warranty

HAVE QUESTIONS?

Contact us. *We're here to help!*

Email us at sales@tomahawk-power.com



USE CODE **SAVE10**
AT CHECKOUT FOR
10% OFF YOUR ORDER AT
WWW.TOMAHAWK-POWER.COM

POWER / WELDING

INVERTER SERIES



2000 Watt Inverter Generator
Part#: TG2000I

2000 Max Watts, 1600 Rated Watts
Run Time of 8 hours on 1 gallon of gas
OSHA and GFCI Compliant
Parallel technology capable for double the power
2 Year Product Warranty

INVERTER SERIES



210 Amp Portable Welder Generator
Part#: TWG210A

Steady 50 - 210 Amp DC welding output
60% Duty Cycle for extended use
Suitable for welding rods from 6010 to 7024
Electric Key Start with battery included
2 Year Product Warranty



7000 Watt Generators
Part#: TG7000

7000 Max Watts, 5500 Rated Watts
Voltage Selector gives Full Wattage for 120V or 240V
Run Time of 8 hours at 50% Load
OSHA and GFCI Compliant
2 Year Product Warranty

PEST CONTROL



3.7 Gallon 3HP Backpack Fogger
Part#: TMD14

Turbo Boosted Pump with 40ft + Horizontal Reach
Sprays 1 acre in 30 minutes
10X Faster than Manual Pump Sprayers
Converts to Leaf Blower with 200 MPH Air Velocity
1 Year Product Warranty



4.75 Gallon Battery Power Sprayer
Part#: eTPS18

Reach Up to 30ft Horizontal Reach
Sprays 6000 sq ft in 10 minutes
10X Faster than Manual Pump Sprayers
70 PSI Commercial Grade Pump
1 Year Product Warranty



5 Gallon Backpack Power Sprayer
Part#: TPS25

Reach Up to 30ft Horizontal Reach
Sprays acres in 10 minutes
10X Faster than Manual Pump Sprayers
50-435 Adjustable PSI Commercial Grade Pump
1 Year Product Warranty

AND MORE



4 Gal. Backpack Fertilizer Spreader
Part#: TGS30

Reach up to 30ft Horizontally
Sprays 1 acre in 30 minutes
20X Faster than push spreaders
Converts to Leaf Blower with 200 MPH Air Velocity
1 Year Product Warranty



3" Full Trash Water Pump
Part#: TW3H

Moves liquids at a rate up to 375 gal/min
Handle solids up to 1.5"
Silicone carbide seals and a chrome plated volute
8 HP engine protected by rugged all purpose frame
3 Year Engine Warranty & 1 Year Product Warranty



Commercial 38" Push Sweeper
Part#: TOS38

Collect up to 14.5 gallons of dust and debris
Can be used indoors & outdoors on wet or dry surfaces
Includes integrated airflow control and fine dust filter
Lightweight design, capable of fitting through doorways
1 Year Product Warranty

ASSEMBLED IN THE
USA
PARTS SOURCED GLOBALLY

* All coupons in this manual are valid only for orders placed on www.tomahawk-power.com, unless otherwise noted. Coupon codes may only be used once per customer and may not be combined with any other offer. Coupons may expire at any time without notice.

(866) 577-4476

www.tomahawk-power.com



Power Your World

Tomahawk understands to keep a job-site running smoothly the proper equipment and spare parts are needed at the drop of a hat. With same day shipping and faster delivery times, count on Tomahawk to keep you powered throughout the day! With long lasting parts and engines, Tomahawk equipment will be the star of your fleet for years to come. Visit www.tomahawk-power.com to get started today!

TOMAHAWK

TOMAHAWK®, LLC
San Diego, CA

Sales Support
(866) 577-4476
sales@tomahawk-power.com

Equipment Support
(866) 577-4476
support@tomahawk-power.com

www.tomahawk-power.com



FACEBOOK
facebook.com/TomahawkPowerUSA

YOUTUBE
youtube.com/TomahawkPower

INSTAGRAM
[@tomahawkpower](https://instagram.com/tomahawkpower)