



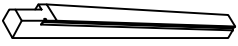


# SWIVEL COUNTER & BAR STOOL






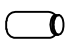
(NR100152-FCS-WN & NR100154-FCS-WG & NR10034-FCS-AW)  
 (NR100151-FBS-WN & NR100153-FBS-WG & NR100133-FBS-AW)

# ASSEMBLY INSTRUCTIONS

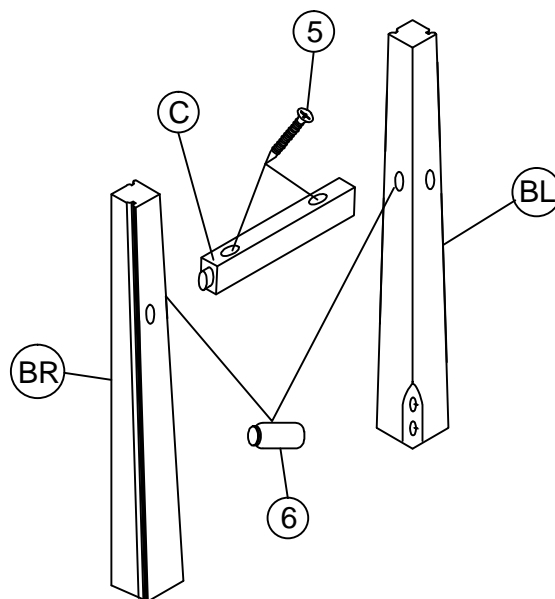
1 OF 2

**DO NOT TIGHTEN SCREWS UNTIL COMPLETELY ASSEMBLY!  
 AFTER ASSEMBLY PLEASE WAIT 8 HOURS  
 BEFORE USE FOR GLUE TO DRY PROPERLY**

PART LIST		
A	 SEAT	1 PC
BR	 LEG	2 PCS
BL	 LEG	2 PCS
C	 STRETCHER (SHORT)	2 PCS
D	 STRETCHER (LONG)	2 PCS

HARDWARE		
1	 LONG BOLT Ø1/4" x 12 x 2-3/8"	8 PCS
2	 SPRING WASHER Ø1/4" x 10D x 1.5mm	8 PCS
3	 FLAT WASHER Ø1/4" x 19D x 1.5mm	8 PCS
4	 ALLEN KEY 2-1/4" x 4mm	1 PC
5	 WOOD SCREW M4 x 40mm	8 PCS
6	 WHITE GLUE	1 PC

## Step 1



# SWIVEL COUNTER & BAR STOOL

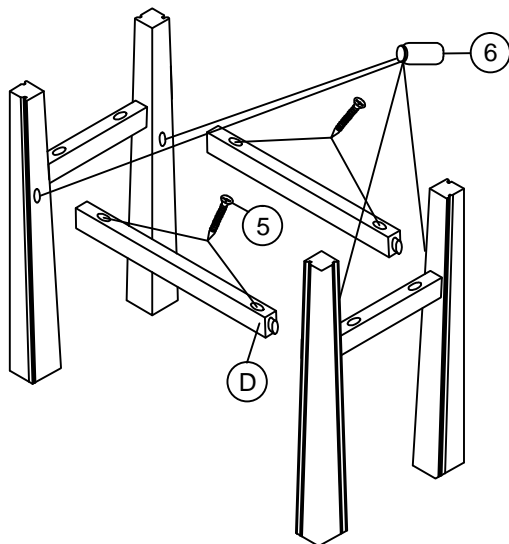
(NR100152-FCS-WN & NR100154-FCS-WG & NR10034-FCS-AW)  
(NR100151-FBS-WN & NR100153-FBS-WG & NR100133-FBS-AW)

## ASSEMBLY INSTRUCTIONS

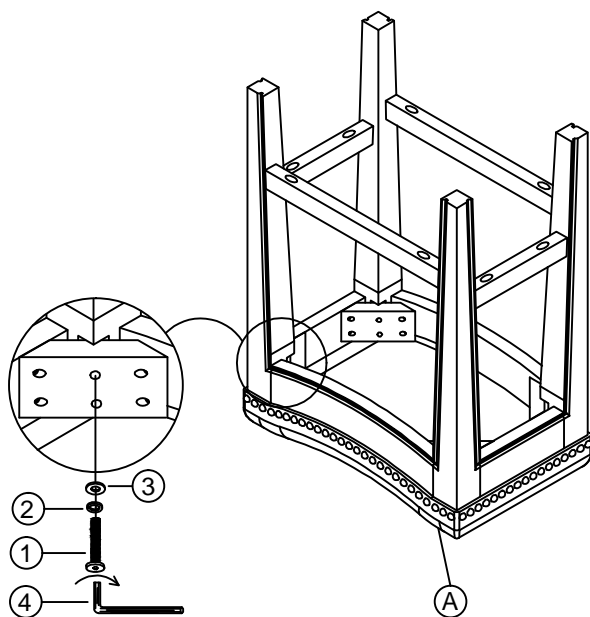
2 OF 2

**DO NOT TIGHTEN SCREWS UNTIL COMPLETELY ASSEMBLY!  
AFTER ASSEMBLY PLEASE WAIT 8 HOURS  
BEFORE USE FOR GLUE TO DRY PROPERLY**

### Step 2



### Step 3



### Step 4

