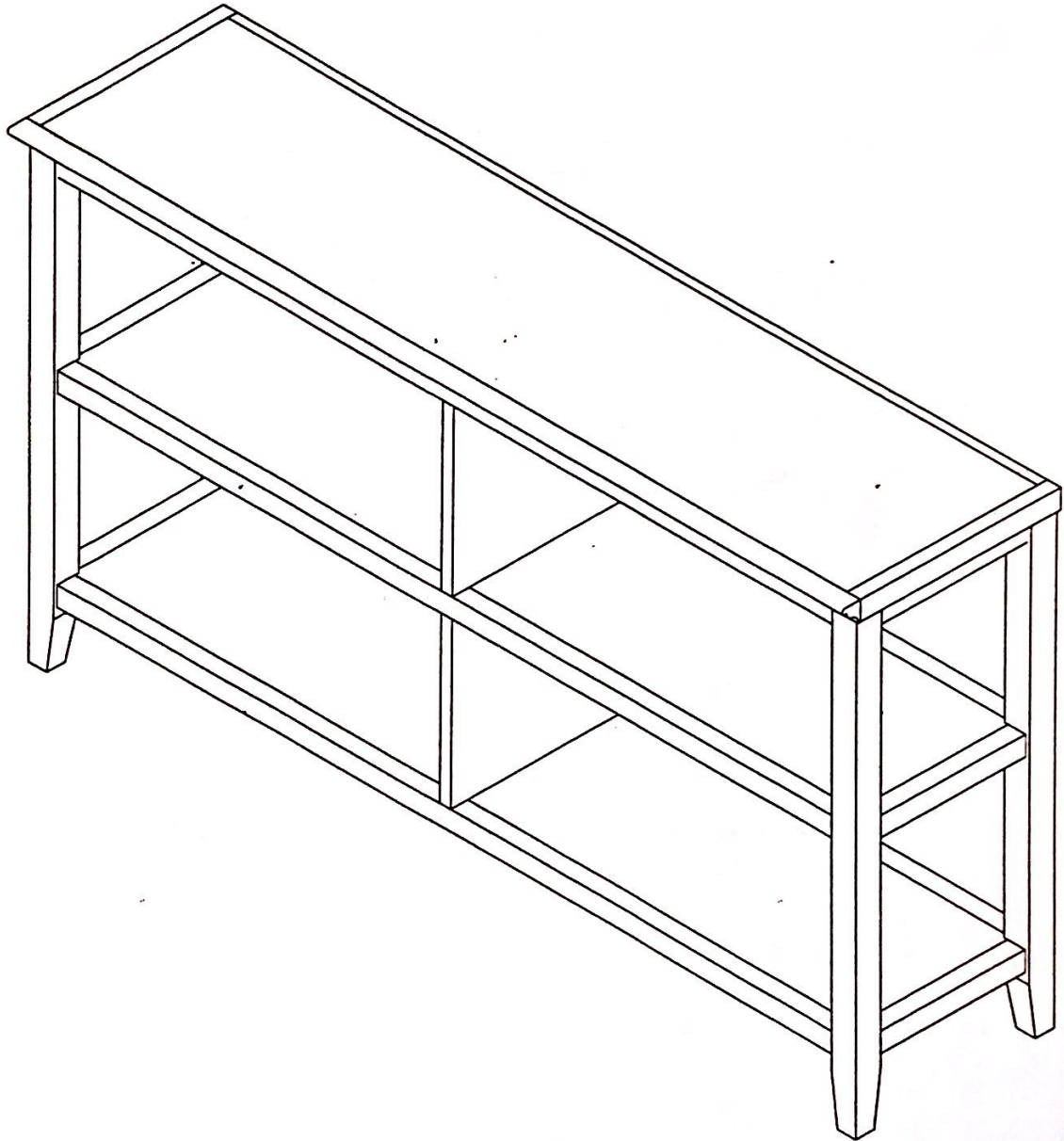


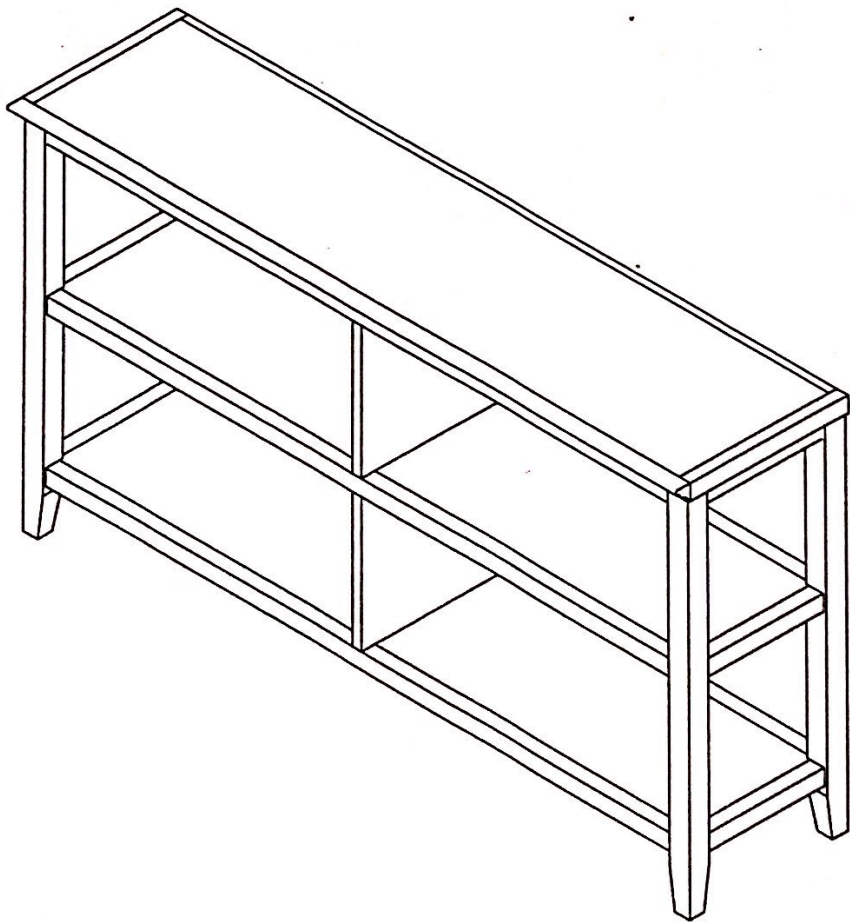
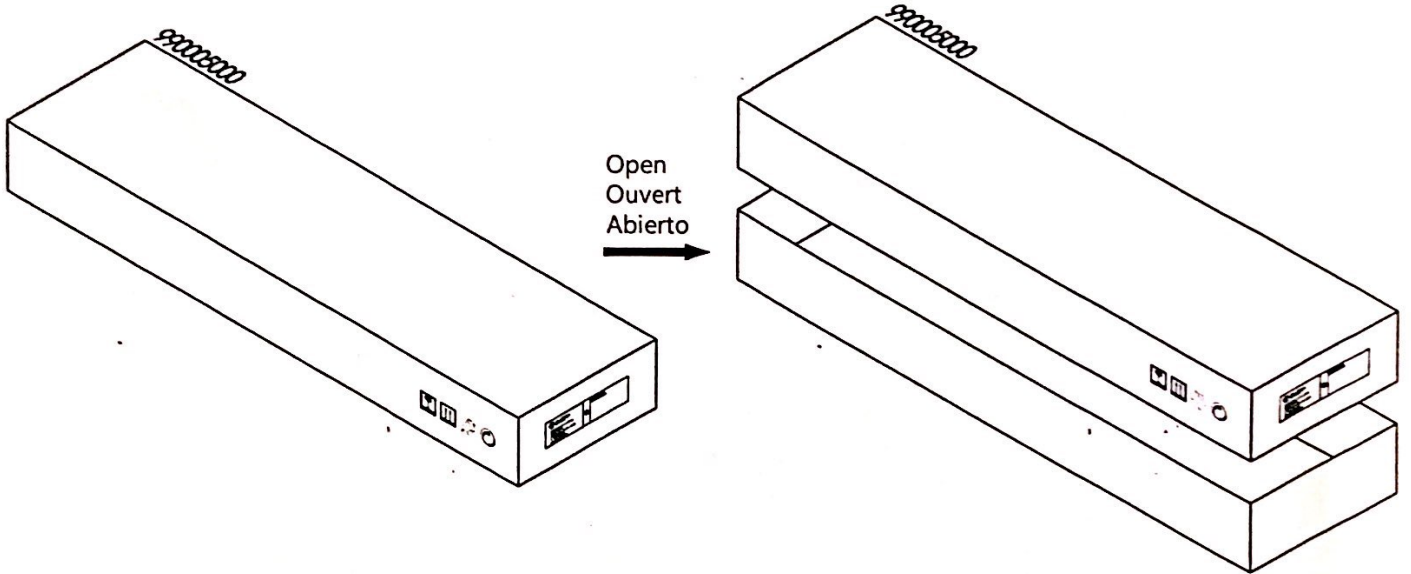
990005000
LOW BOOKCASE



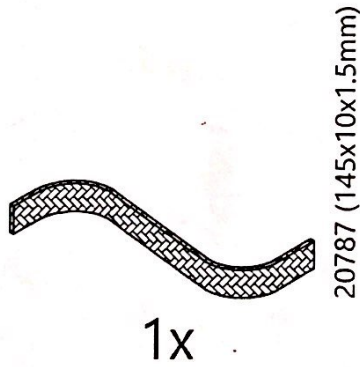
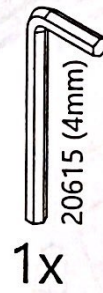
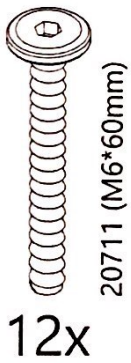
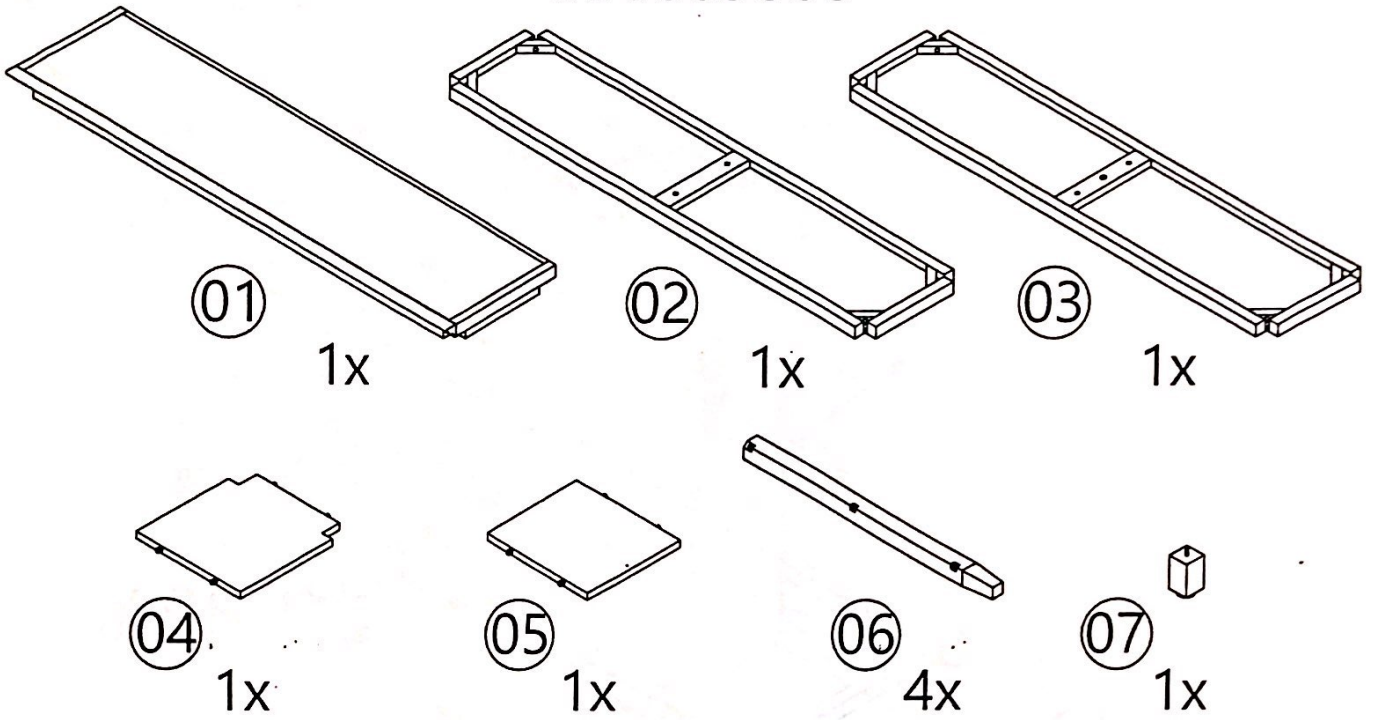
NO CLIMBING



990005000 LOW BOOKCASE




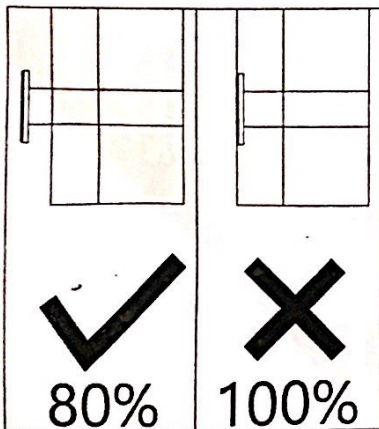
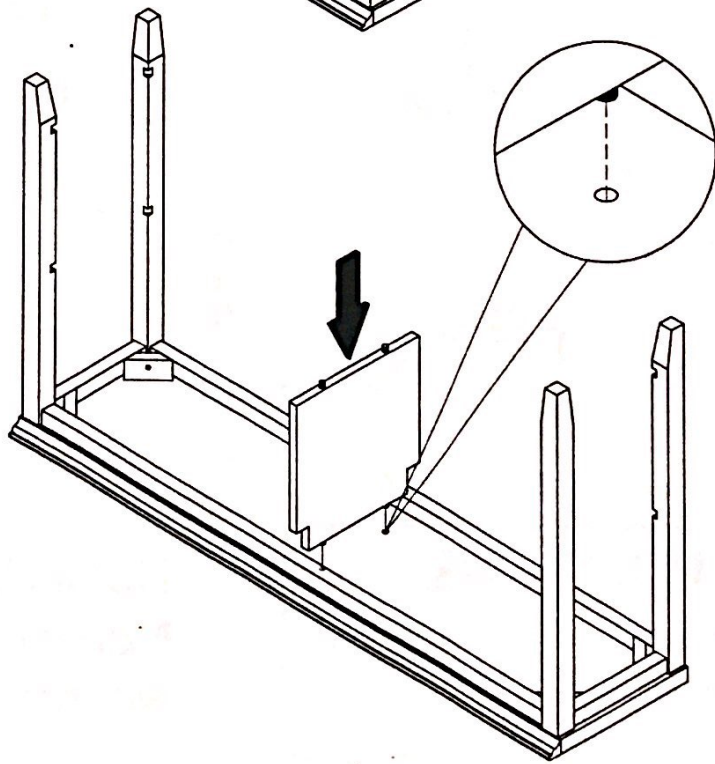
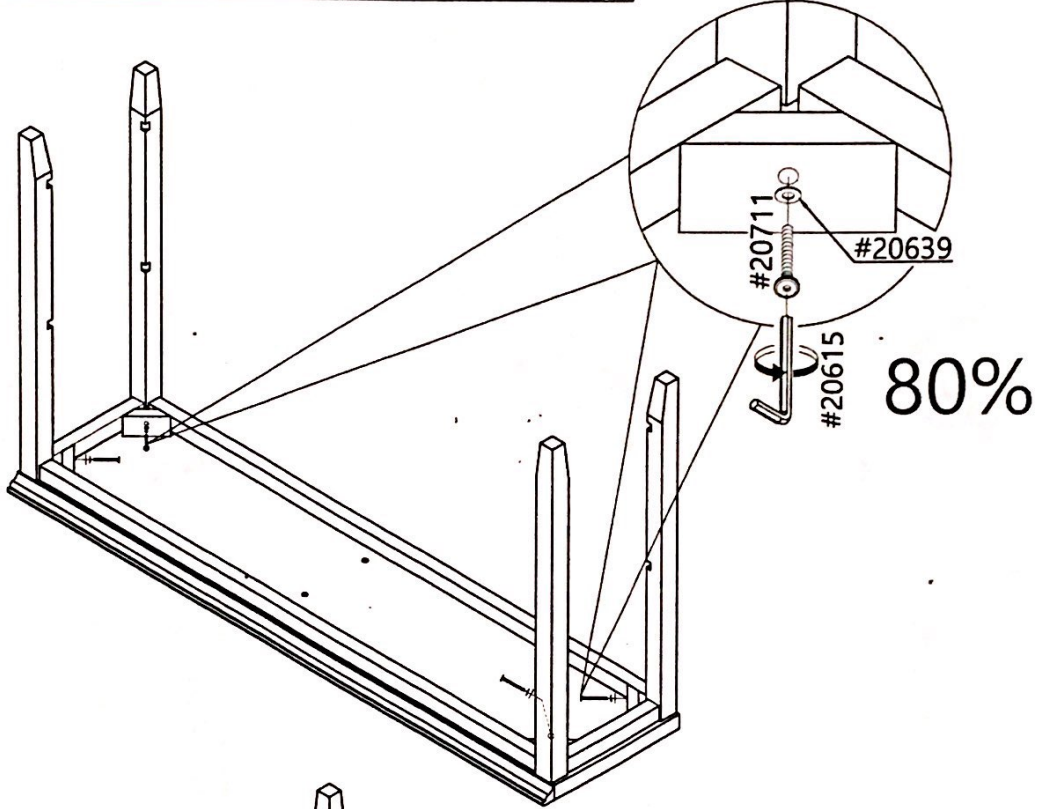
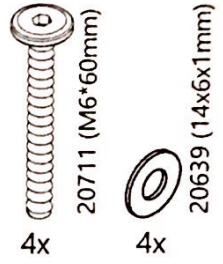
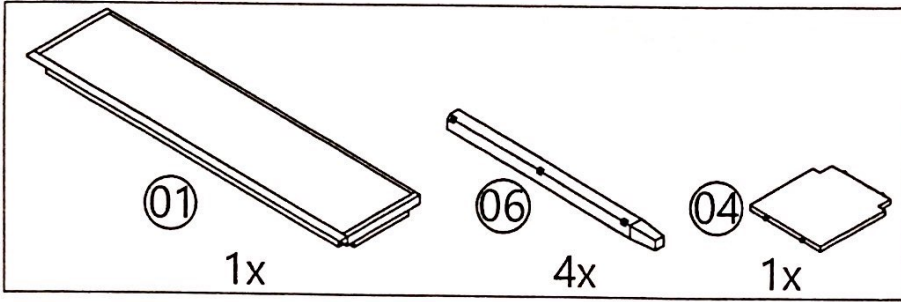
990005000

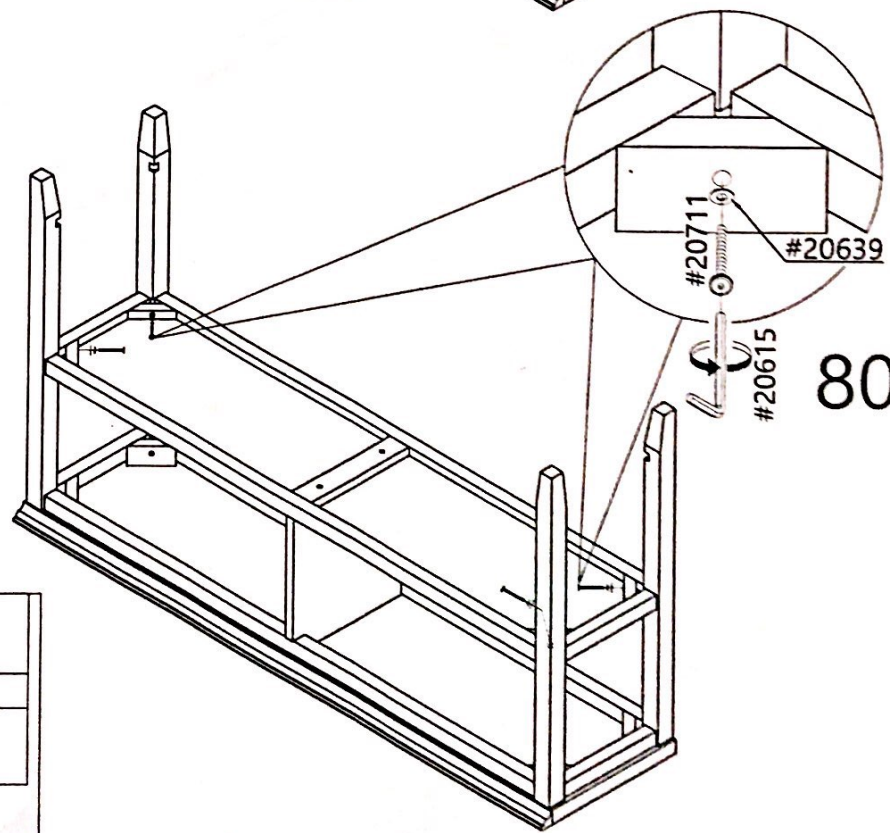
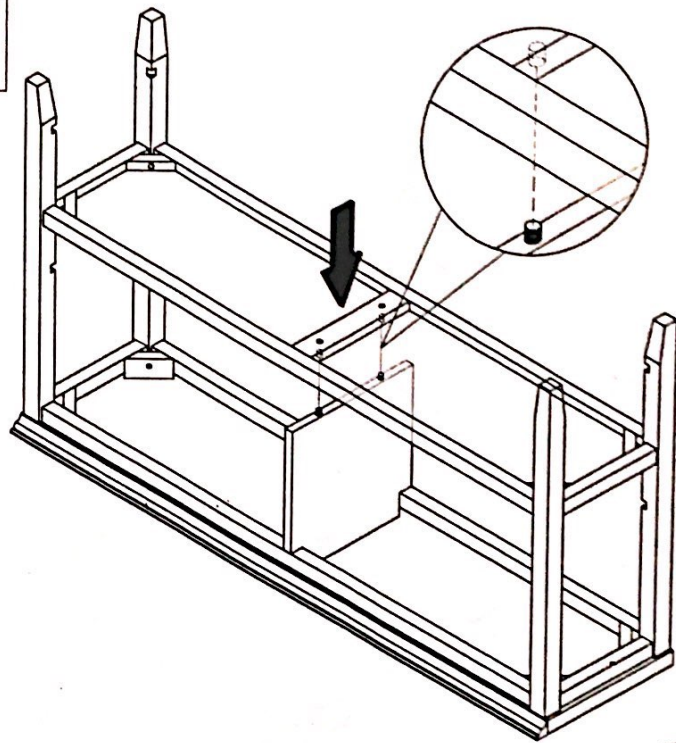
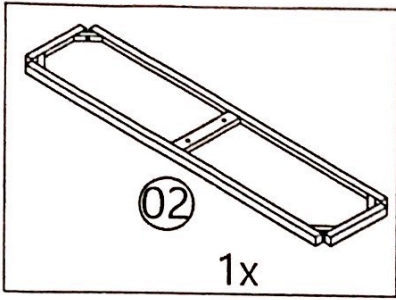


⚠ WARNING:
CHOKING HAZARD--Small Parts
 Not for children under 3 years.
 To be Assembled by an Adult

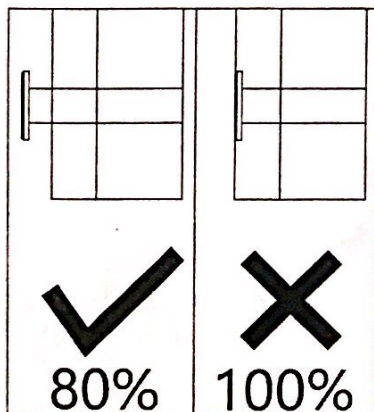
Not Include
 Non Inclus
 No Incluido

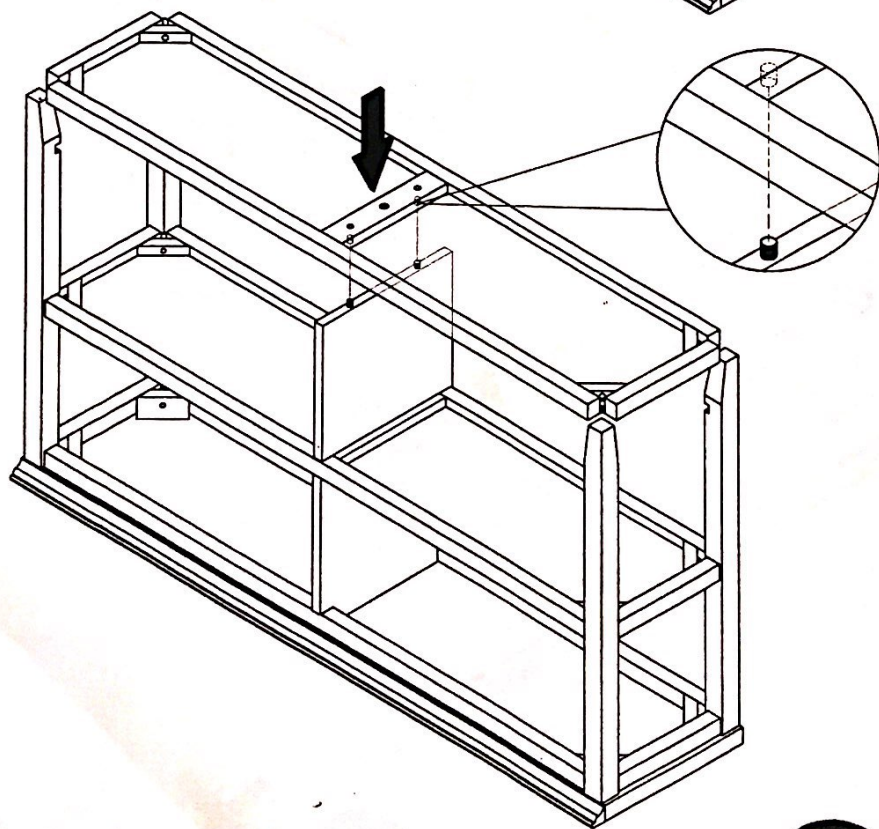
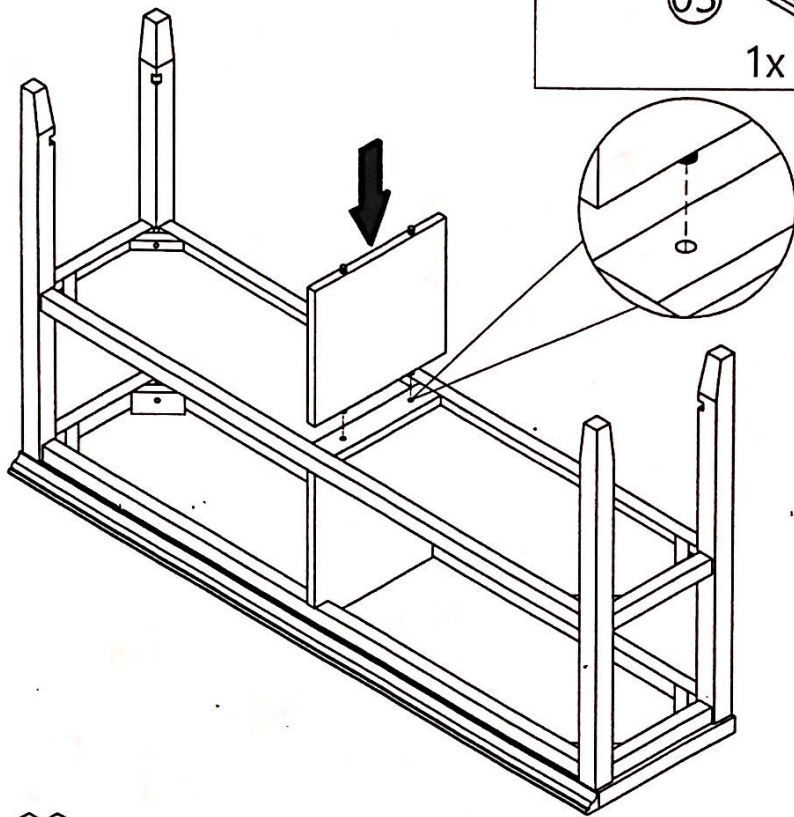
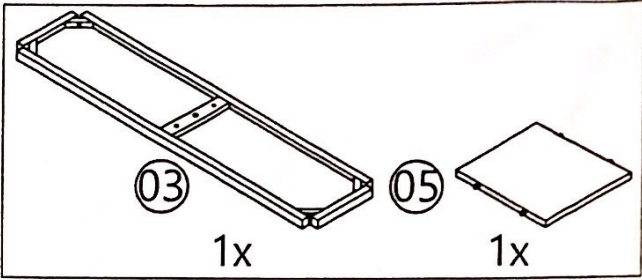


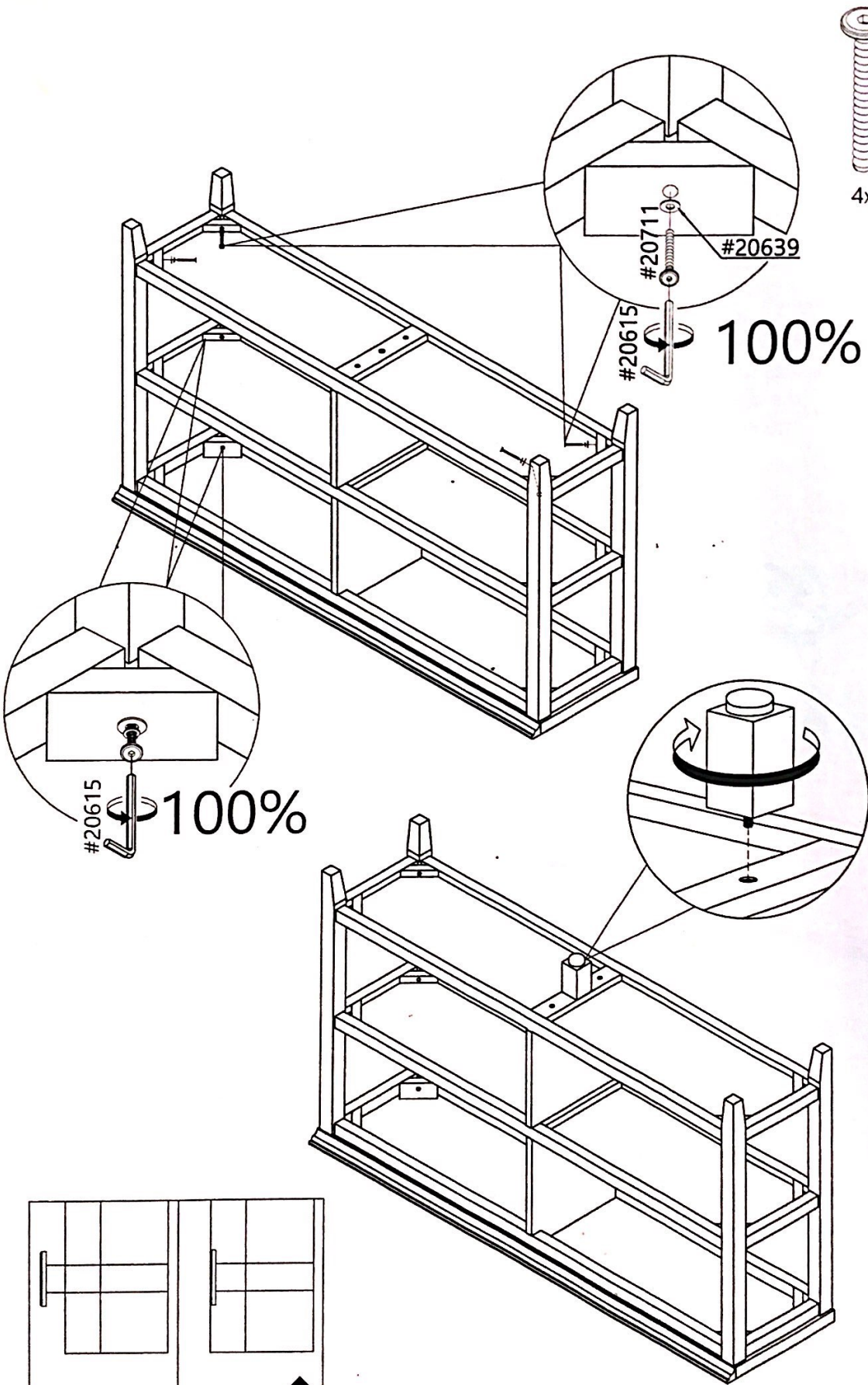







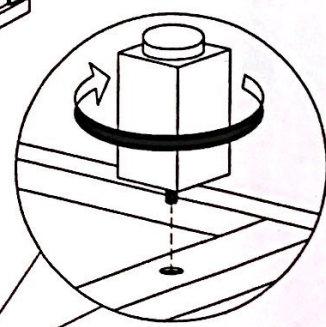
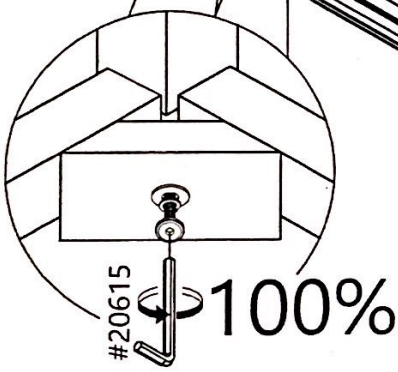
80%





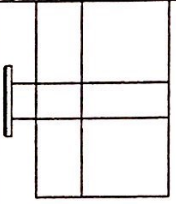
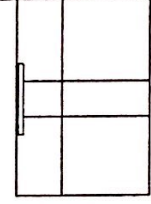




-  20711 (M6*60mm) 4x
-  20639 (14x6x1mm) 4x



 
 1x

	
X	✓
80%	100%



AN OPTIONAL TIPPING RESTRAINT DEVICE IS PROVIDED FOR ADDITIONAL SAFETY

- 1) See above Tipping Restraint Device
- 2) Open Tipping Restraint Device package and remove the screw, washer and strap.
- 3) Secure the strap under the top or middle shelf of the furniture with the provided washer and screw. Then connect the strap to the wall using an appropriate anchor, washer and screw (not included) for your wall.

