
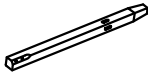






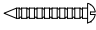

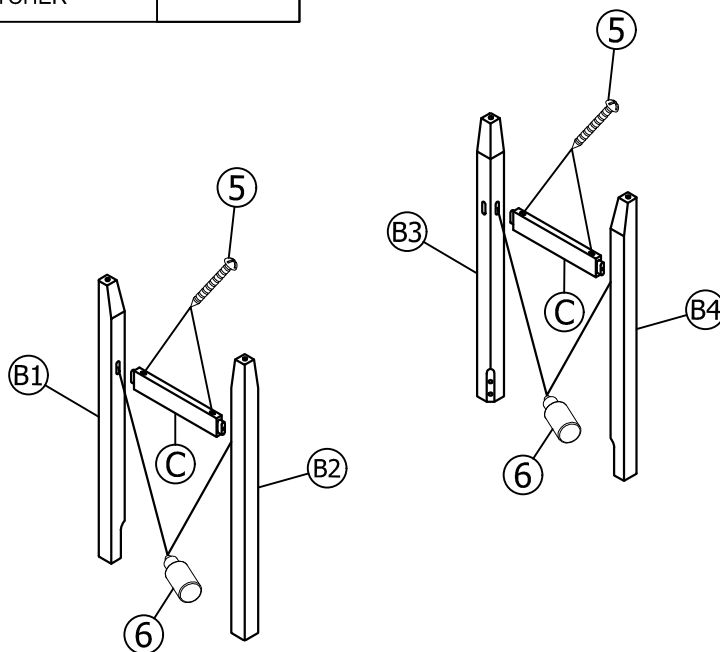


DO NOT TIGHTEN SCREWS COMPLETELY UNTIL ASSEMBLY IS COMPLETE
 AFTER ASSEMBLY PLEASE WAIT 8 HOURS
 BEFORE USE FOR GLUE TO DRY PROPERLY

PART LIST		
A	 TABLE TOP	1 PC
B1/B2/ B3/B4	 LEG	4 PCS
C	 SHORT STRETCHER	2 PCS
D	 LONG STRETCHER	1 PC

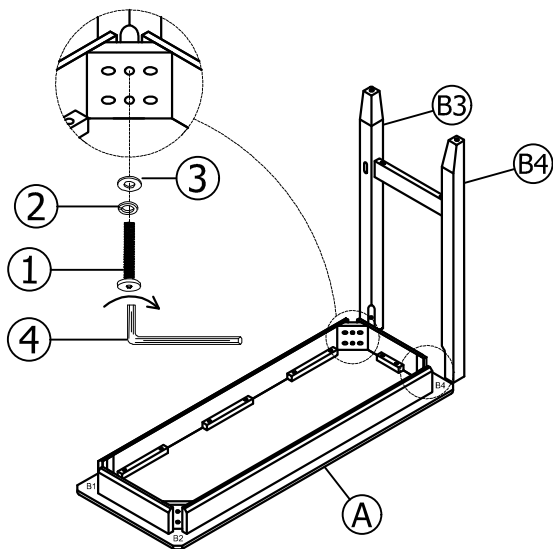
HARDWARE		
1	 LONG BOLT Ø5/16" x 2-1/8"	8 PCS
2	 SPRING WASHER Ø5/16" x 13D	8 PCS
3	 FLAT WASHER Ø5/16" x 19D x 2mm	8 PCS
4	 ALLEN KEY 2-1/4" x 4mm	1 PC
5	 WOOD SCREW M4 x 50mm	6 PCS
6	 WHITE GLUE	1 PC

Step 1

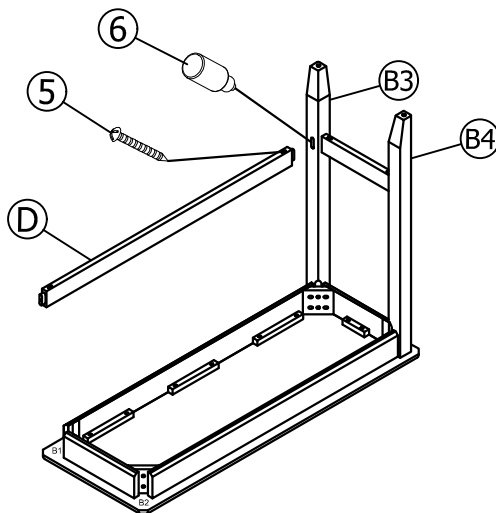


DO NOT TIGHTEN SCREWS COMPLETELY UNTIL ASSEMBLY IS COMPLETE
AFTER ASSEMBLY PLEASE WAIT 8 HOURS
BEFORE USE FOR GLUE TO DRY PROPERLY

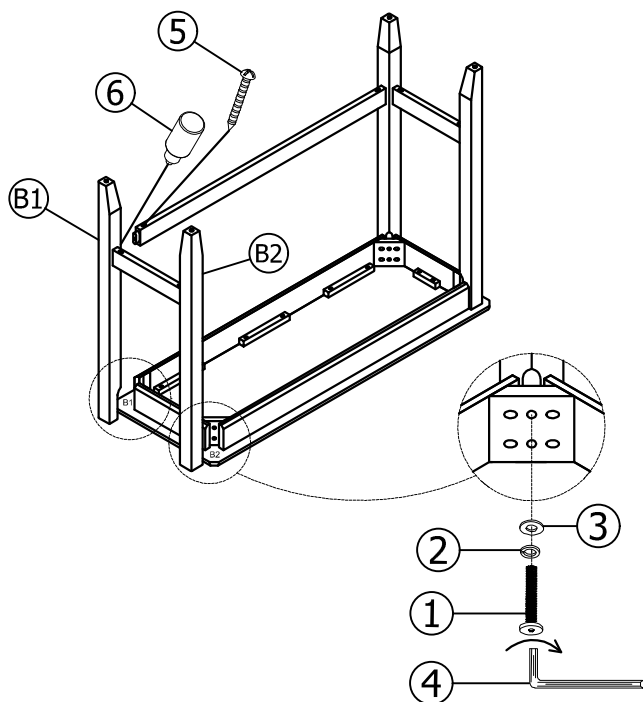
Step 2



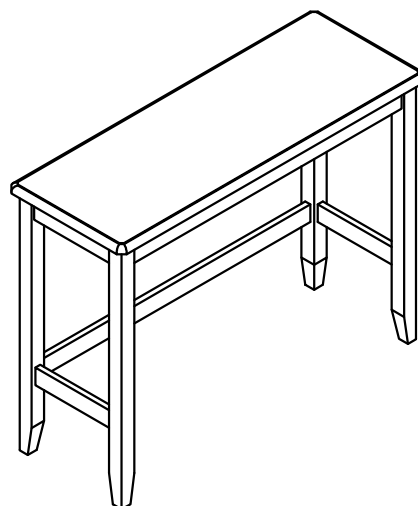
Step 3



Step 4





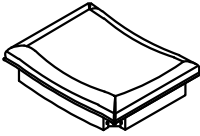






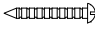

Step 5



ASSEMBLY IS COMPLETED

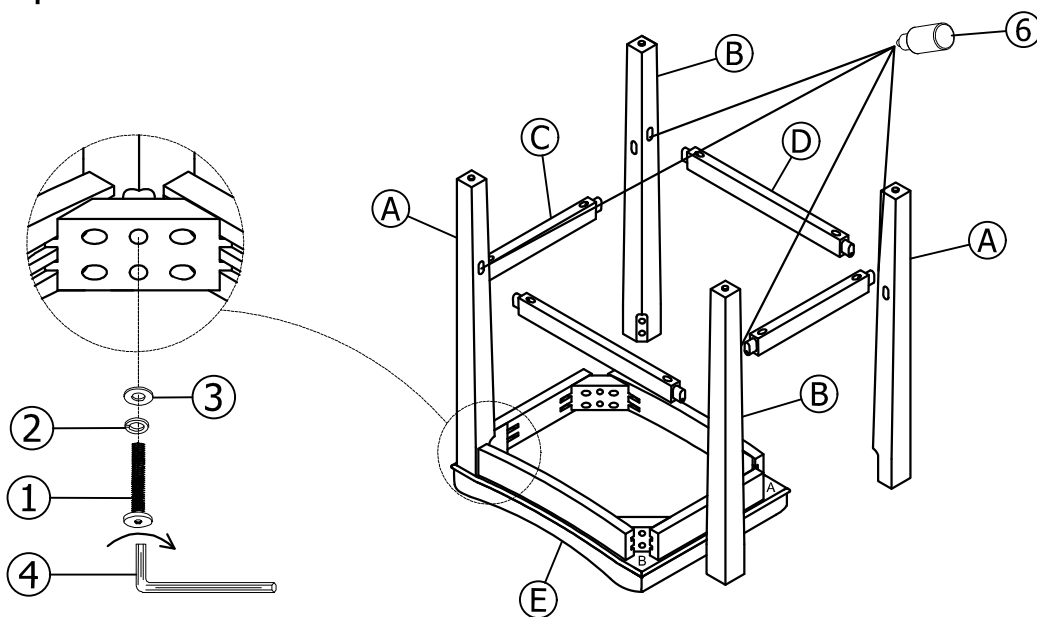
DO NOT TIGHTEN SCREWS COMPLETELY UNTIL ASSEMBLY IS COMPLETE
 AFTER ASSEMBLY PLEASE WAIT 8 HOURS
 BEFORE USE FOR GLUE TO DRY PROPERLY

PART LIST		
A	 LEG A	4 PCS
B	 LEG B	4 PCS
C	 SHORT STRETCHER	4 PCS
D	 LONG STRETCHER	4 PCS
E	 SEAT	2 PCS

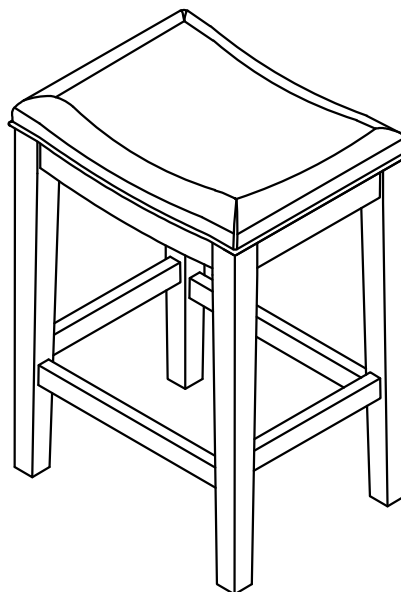
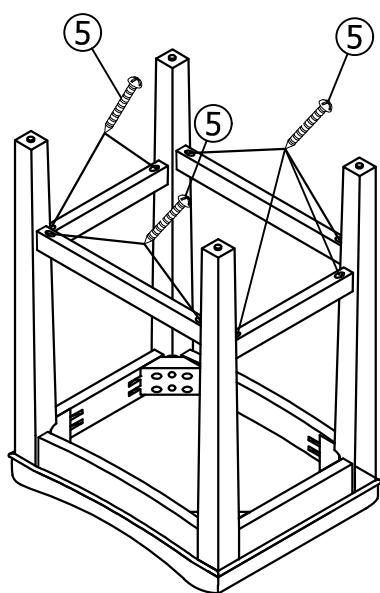
HARDWARE		
1	 LONG BOLT $\varnothing 1/4"$ x 2-3/8"	16 PCS
2	 SPRING WASHER $\varnothing 1/4"$ x 13D	16 PCS
3	 FLAT WASHER $\varnothing 1/4"$ x 19D x 2mm	16 PCS
4	 ALLEN KEY 2-1/4" x 4mm	1 PC
5	 WOOD SCREW M4 x 50mm	16 PCS
6	 WHITE GLUE	1 PC

DO NOT TIGHTEN SCREWS COMPLETELY UNTIL ASSEMBLY IS COMPLETE
AFTER ASSEMBLY PLEASE WAIT 8 HOURS
BEFORE USE FOR GLUE TO DRY PROPERLY

Step 1



Step 2



ASSEMBLY IS COMPLETED