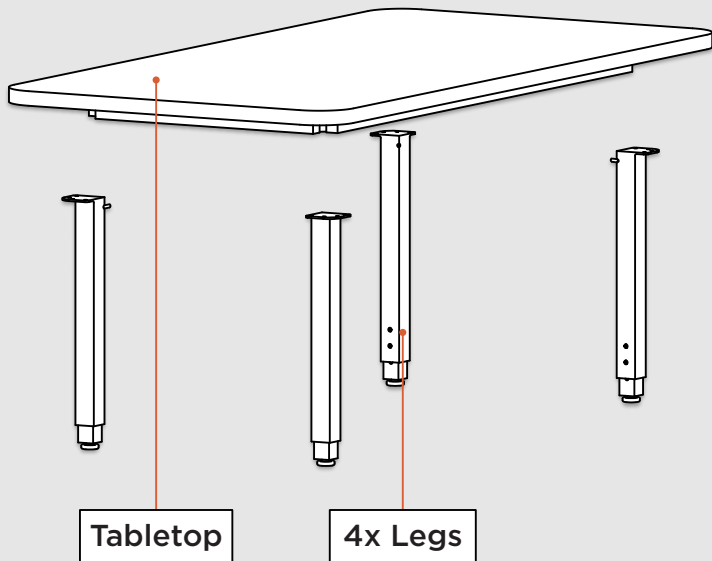




ASSEMBLY INSTRUCTIONS

STEEL FRAME SCIENCE AND HEAVY DUTY TABLES

TABLE COMPONENTS



INCLUDED HARDWARE

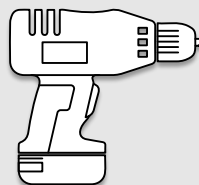


16x Screws

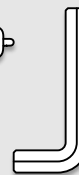


4x Nylon-Insert Lock Nut

TOOLS FOR ASSEMBLY



Drill

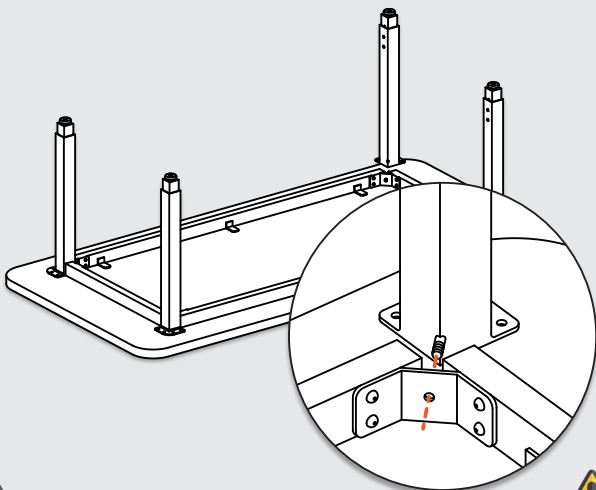


Allen Wrench



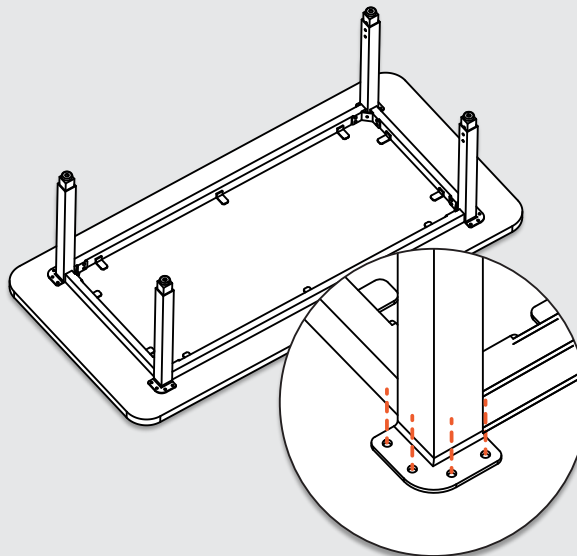
Wrench

1 Fasten each leg onto tabletop frame by inserting the leg's hanger bolt into the corner brackets. Then fasten the legs using the included lock nuts.



Ensure that all nuts are fastened tightly.

2 Secure the legs to the tabletop by installing 4 screws through each leg plate.



Congratulations, your table is now assembled and ready to be used!

*Dear Customer, Thank you for your purchase. Although extreme care goes into manufacturing & packaging of this product, mistakes are possible. If you encounter any missing parts or difficulty in assembly, please contact our customer service Toll Free at **1-800-261-4112** or **info@nationalpublicseating.com** for courteous & immediate resolution to your problem.*

LEG HEIGHT ADJUSTMENT

In order to adjust table to your desired height, subtract the tabletop thickness (listed in below chart) from your desired height, and then follow the below guideline to adjust the legs to the remaining height. The leveling glides can be used to add up to an additional .75"

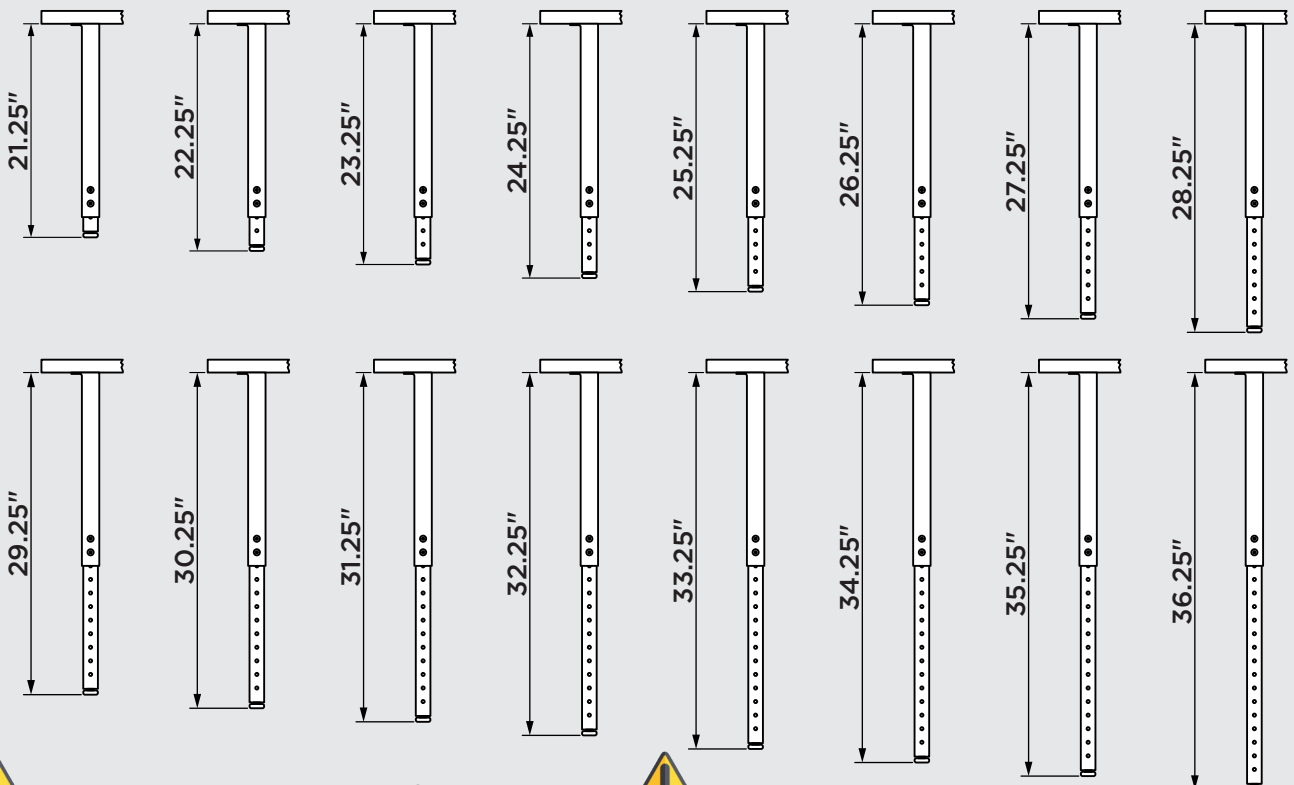
EXAMPLE

Model Number	Desired Table Height		Table Thickness <i>(Listed below)</i>		Height to Adjust Legs
SLT3-2448P	30"	-	.75"	=	29.25"

TABLETOP TYPE	SAMPLE MODEL NUMBER	THICKNESS
Phenolic	SLT3-2448P	.75"
Chemical Resistant	SLT3-2448C	1"
Science High Pressure Laminate	SLT3-2448H	1.2"
Whiteboard	HDT3-2448W	1.2"
Butcherblock	HDT3-2448B	1.75"
Standard High Pressure Laminate	HDT3-2448H	.75"
Supreme High Pressure Laminate	HDT3-2448S	1.2"
Stainless Steel Safety Return Edge	HDT3-2448STRET	1.75"

The height of the legs can be easily adjusted by removing the safety screws and adjusting them to the desired height, the legs can be lifted **1"** at a time. After obtaining the desired height, don't forget to fasten the safety screws.

*Below dimensions are with standard leveling glides installed at their lowest height (excluding tabletop thickness). Leveling glides can be used to add .75" to the table height when needed. See next page for leg heights with optional casters installed.

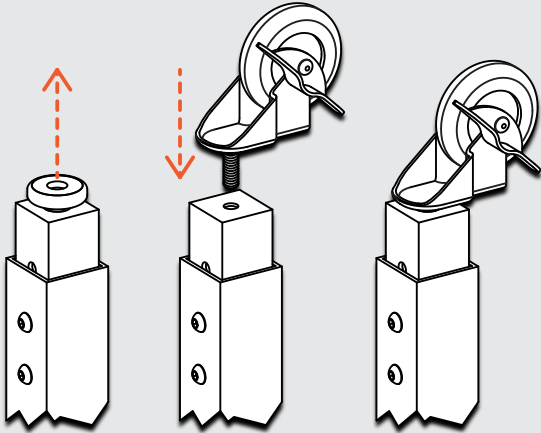


! Ensure that both screws are fastened tightly. **!**

OPTIONAL CASTER/GUSETT INSTALLATION AND LEG HEIGHT ADJUSTMENT

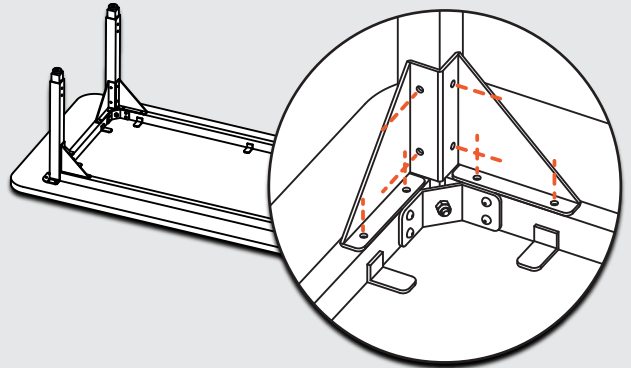
CASTERS x4

To install the casters, remove the glides and swivel the casters into place using a wrench.



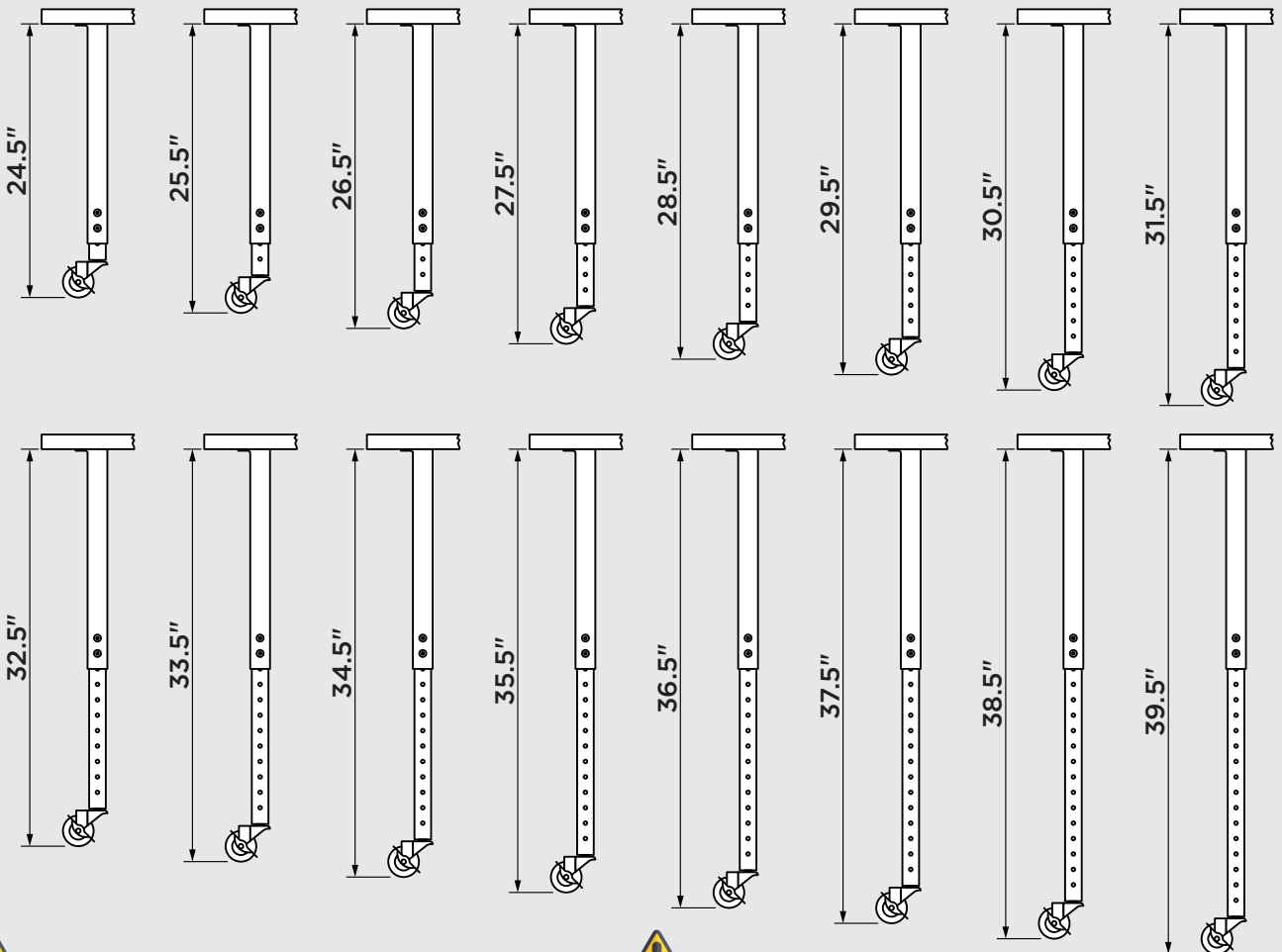
GUSETS x4

Align each gusset onto all four inside corners. Fasten each gusset to the frame and leg structure by installing 8 screws through each plate.



LEG HEIGHT ADJUSTMENT

Below dimensions are to be used when using optional casters. See previous page for detailed height adjustment instructions.



⚠ Ensure that both screws are fastened tightly. ⚠