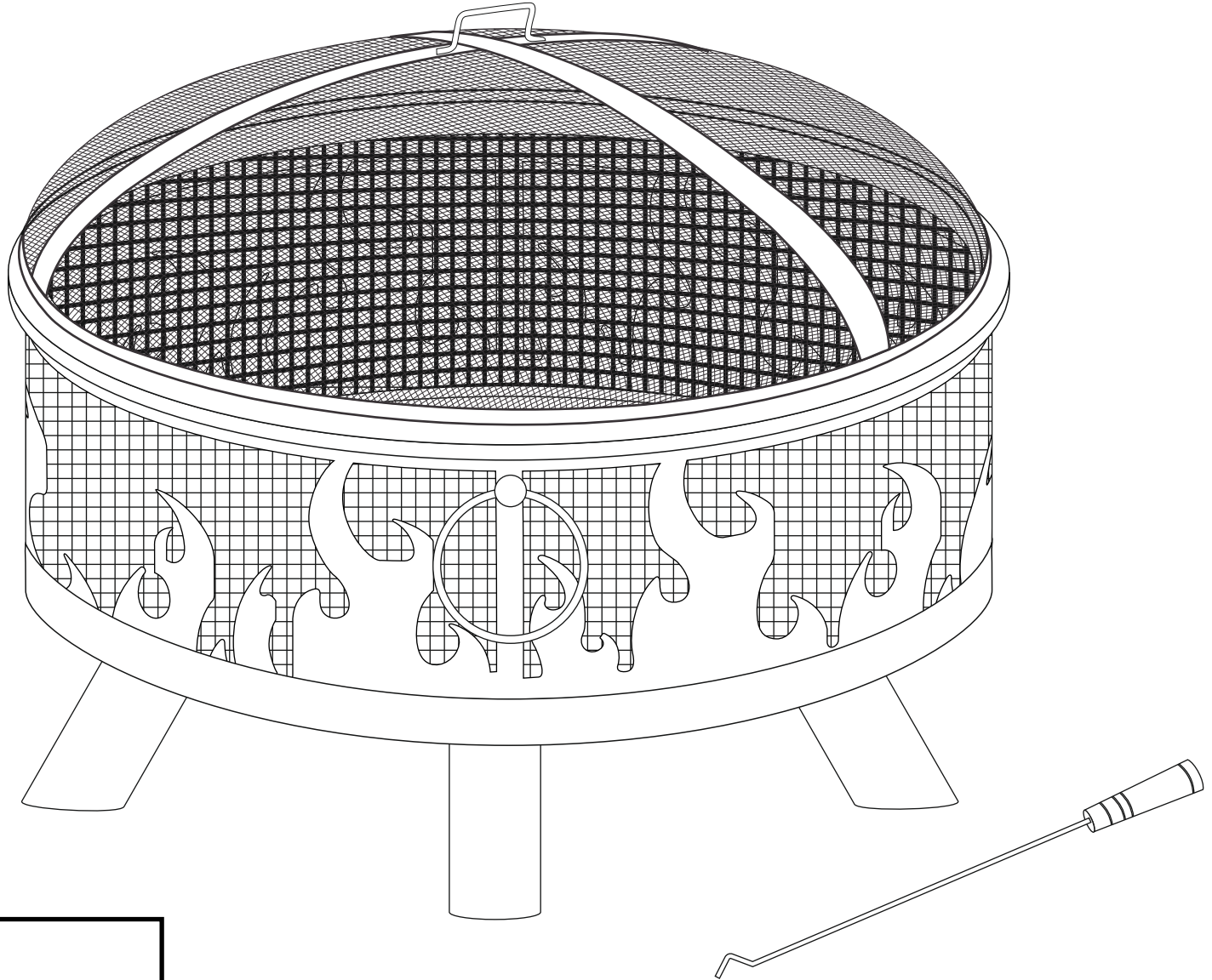




Outdoor Fireplace

Model No. WAD1011SP



WARNING
FOR YOUR SAFETY:

For Outdoor Use Only
(outside any enclosure)

WARNING
FOR YOUR SAFETY:

1. Improper installation, adjustment, alteration, service or maintenance can cause injury or property damage.
2. Read the installation, operation, and maintenance instructions thoroughly before installing or servicing this equipment.
3. Failure to follow these instructions could result in fire or explosion, which could cause property damage, personal injury, or death.
4. This instruction manual contains important information necessary for the proper assembly and safe use of the appliance.
5. Read and follow all warnings and instructions before assembling and using the appliance.
6. Follow all warnings and instructions when using the appliance.
7. Keep this manual for future reference.

WARNING
FOR YOUR SAFETY:

Do NOT store or use gasoline or other flammable liquids or vapors in the vicinity of this or any other appliance.

DANGER

Never operate this appliance unattended.

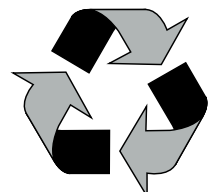
Table of Contents

Important Safeguards	Page 2
Expanded View & Hardware	3
Assembly Instructions	4
Operating Instructions	5
Cleaning and Care	5
Product Registration	5
Replacement Parts	5
Limited Warranty	5

THIS INSTRUCTION BOOKLET CONTAINS IMPORTANT SAFETY INFORMATION. PLEASE READ AND KEEP FOR FUTURE REFERENCE.

If you are assembling this unit for someone else, give this manual to them to read and save for future reference.

WARNING: Inhalation of wood dust is known to the State of California to cause cancer. Burning wood results in emissions that can expose you to chemicals including carbon monoxide, soot, smoke, and other combustion by-products, which are known to the state of California to cause cancer, birth defects or other reproductive harm, and/or other adverse health effects. For more information go to www.P65Warnings.ca.gov.



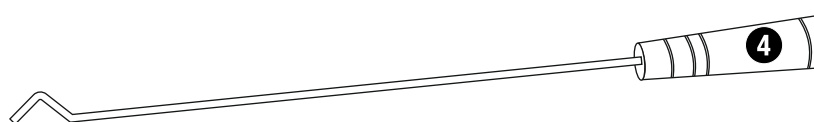
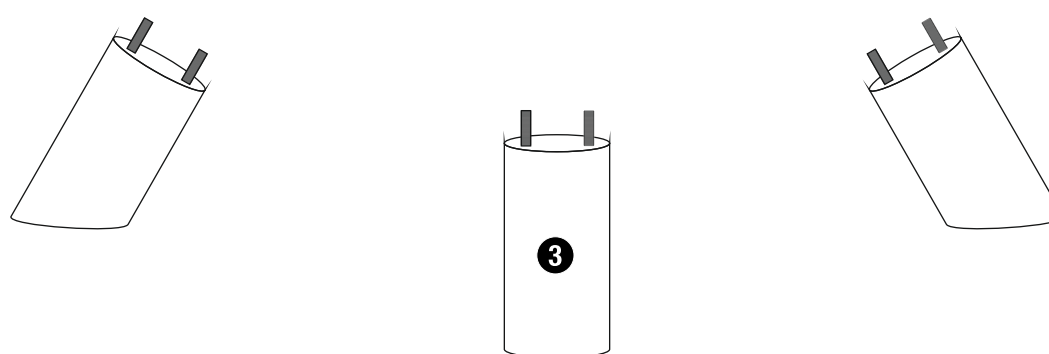
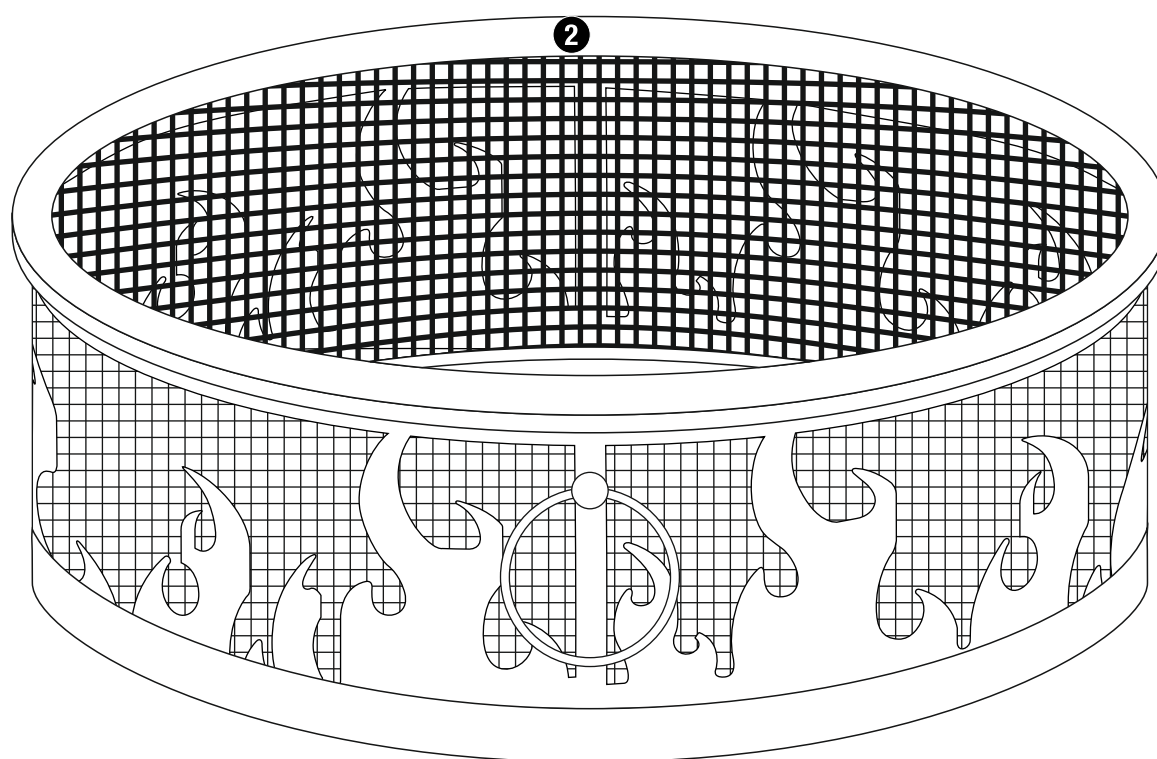
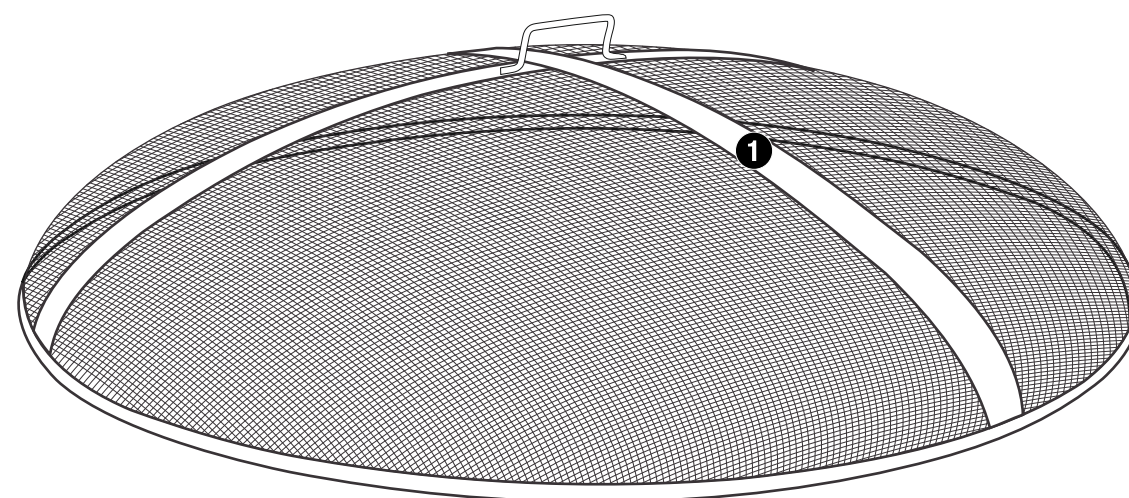
Important Safeguards

- ⚠ **DANGER:** Failure to follow the dangers, warnings and cautions in this manual may result in serious bodily injury or death, or in a fire or an explosion causing damage to property.
- ⚠ **WARNINGS:**
- ⚠ Do NOT use this outdoor fireplace without reading the entire owner's manual.
- ⚠ This appliance is for outdoor use only, and should NOT be used in a building, garage or any other enclosed area.
- ⚠ Do NOT use this outdoor fireplace for indoor heating. TOXIC carbon monoxide fumes can accumulate and cause asphyxiation.
- ⚠ This outdoor fireplace is NOT for commercial use.
- ⚠ This outdoor fireplace is safety certified for use in the United States and Canada only. Do NOT modify for use in any other location. Modification will result in a safety hazard and will void the warranty.
- ⚠ This outdoor fireplace is NOT to be operated by children.
- ⚠ Do NOT operate, light or use this appliance within ten (10) feet (3.05 m) of walls, structures or buildings.
- ⚠ Do NOT store or use gasoline, or any other flammable vapors or liquids within twenty-five (25) feet (7.62 m) of this or any other appliance.
- ⚠ Do NOT use in an explosive atmosphere. Keep outdoor fireplace area clear and free from combustible materials, gasoline and other flammable liquids.
- ⚠ Apartment dwellers: Check with management to learn the requirements and fire codes for using an outdoor fireplace in your apartment complex. If allowed, use outside on the ground floor with a ten (10) foot (3.05 m) clearance from walls or rails. Do NOT use on or under balconies.
- ⚠ Always use in accordance with all applicable local, state and national codes. Contact your local fire department for details on outdoor burning.
- ⚠ When using this outdoor fireplace, exercise the same precautions you would with any open fire.
- ⚠ This outdoor fireplace is NOT to be used in or on boats or recreational vehicles.
- ⚠ Do NOT use this outdoor fireplace under any overhead or near any unprotected combustible constructions. Avoid using near or under overhanging trees and shrubs.
- ⚠ This outdoor fireplace is designed for use with dry, seasoned hardwood. It will burn hotter, more completely and create less smoke.
- ⚠ Do NOT burn charcoal briquettes, lump charcoal, manufactured logs, driftwood, trash, leaves, paper, cardboard, plywood, painted, stained or pressure-treated wood. Avoid using softwoods such as pine or cedar, which can throw sparks.
- ⚠ Do NOT use gasoline, kerosene, diesel fuel, lighter fluid or alcohol to light or relight fires.
- ⚠ Do NOT alter this outdoor fireplace in any manner. Any alteration will void your warranty.
- ⚠ Do NOT use this outdoor fireplace until it is COMPLETELY assembled and all parts are securely fastened and tightened.
- ⚠ The use of alcohol, prescription or non-prescription drugs may impair the consumer's ability to properly assemble and/or safely operate this outdoor fireplace.
- ⚠ Do NOT use this outdoor fireplace near automobiles, trucks, vans or recreational vehicles.
- ⚠ Always use this outdoor fireplace on a hard, level, non-combustible surface such as concrete, rock or stone. An asphalt or blacktop surface may not be acceptable for this purpose. Do NOT use on wooden decks.
- ⚠ Do NOT wear flammable or loose clothing when operating this outdoor fireplace.
- ⚠ Do NOT use in windy conditions.
- ⚠ Do NOT lean over this outdoor fireplace when lighting or while in use.
- ⚠ Do NOT use this outdoor fireplace unless spark guard(s) are securely in place.
- ⚠ Keep all electrical cords away from a hot fireplace.
- ⚠ All surfaces of this outdoor fireplace are hot when in operation. To avoid burns, do NOT touch fireplace until it has completely cooled (about 45 minutes) unless you are wearing protective gear (potholders, gloves, BBQ mittens, hot pads, etc.). Never touch ashes or embers to see if they are hot.
- ⚠ Do NOT leave a lit outdoor fireplace unattended, especially around children and pets.
- ⚠ Always empty this outdoor fireplace before each use.
- ⚠ Do NOT attempt to move or store this outdoor fireplace until all ashes and embers are completely extinguished.
- ⚠ Do NOT remove ashes or embers until they are completely and fully extinguished and the outdoor fireplace has completely cooled.
- ⚠ Do NOT place wood directly into the bottom of the outdoor fireplace. Place wood only on the wood grate provided.
- ⚠ Do NOT overload the fireplace. Do NOT add additional firewood until the fire burns down. NOTICE: If any portion of the bowl, lid or spark guard(s) of this outdoor fireplace are glowing red, it is overloaded.
- ⚠ Do NOT place a hot spark guard or hot fireplace tools onto combustible surfaces such as grass, wooden deck or furniture.
- ⚠ Avoid breathing smoke from the fire and avoid getting it into your eyes.
- ⚠ This outdoor fireplace should be thoroughly inspected and cleaned on a regular basis.
- ⚠ After a period of storage and/or non-use, check for signs of damage and creosote build-up. Do NOT operate until necessary repairs and/or cleanup are executed.
- ⚠ Do NOT use oven cleaner or other abrasive cleaners as they will damage this product.
- ⚠ Do NOT clean any part of this outdoor fireplace in a self-cleaning oven as it may damage the finish.
- ⚠ Use only Mr.Bar-B-Q Products LLC factory-authorized parts. The use of any part that is not factory authorized can be dangerous and will void your warranty.
- ⚠ Use heat-resistant gloves or hot pads when touching handles.
- ⚠ Use long, sturdy fireplace tools when adding or moving logs.
- ⚠ Use protective gloves when assembling this product.
- ⚠ Do NOT force parts together as this can result in personal injury or damage to this product.
- ⚠ Deaths, serious injury or damage to property may occur if the above is not followed exactly.

Parts List

- ① Spark Guard
- ② Bowl
- ③ Leg (3)
- ④ Poker

Expanded View



Hardware

A	Nut	M6 Nickel Plated	6 pcs
B	Washer	M6 Nickel Plated	6 pcs
C	Threaded Rod	M6 Nickel Plated	3 pcs

Tools Required for Assembly (Not Included)

Wrench 1 pc



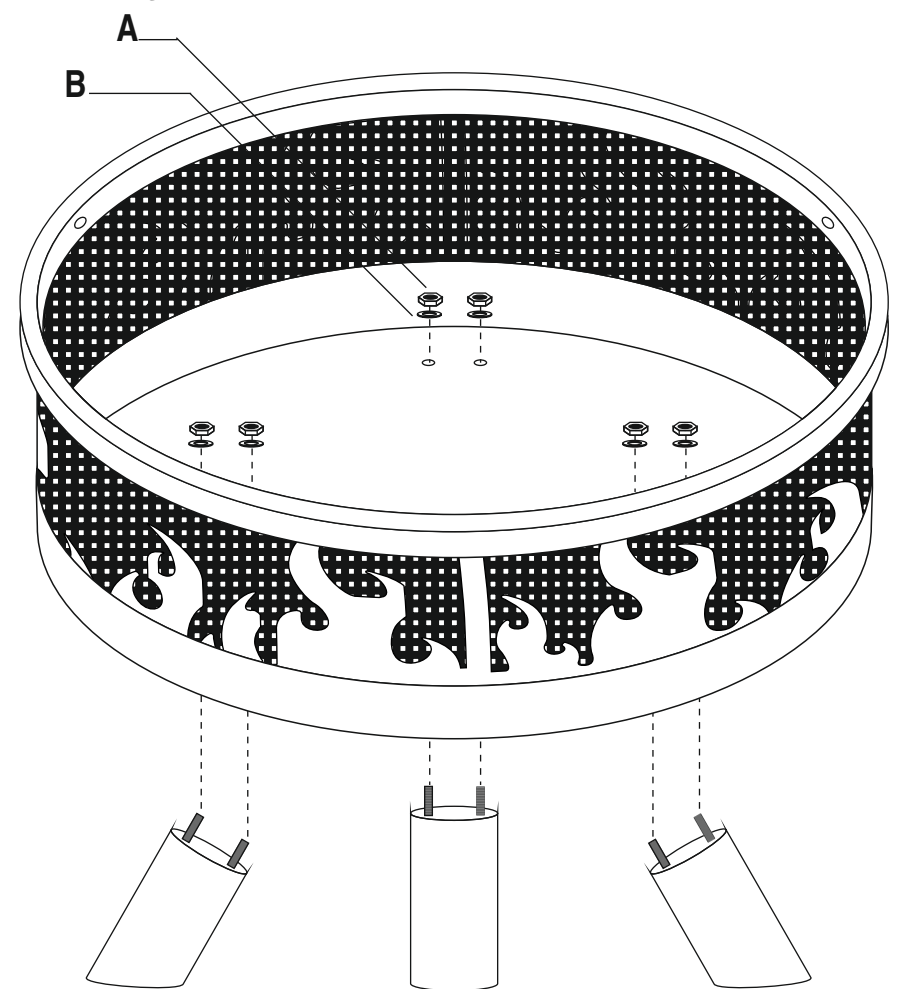
Assembly Instructions
1
DO NOT RETURN TO PLACE OF PURCHASE.

For assistance, call **1.888.398.8643** toll-free. Please have your owner's manual and model number available for reference.

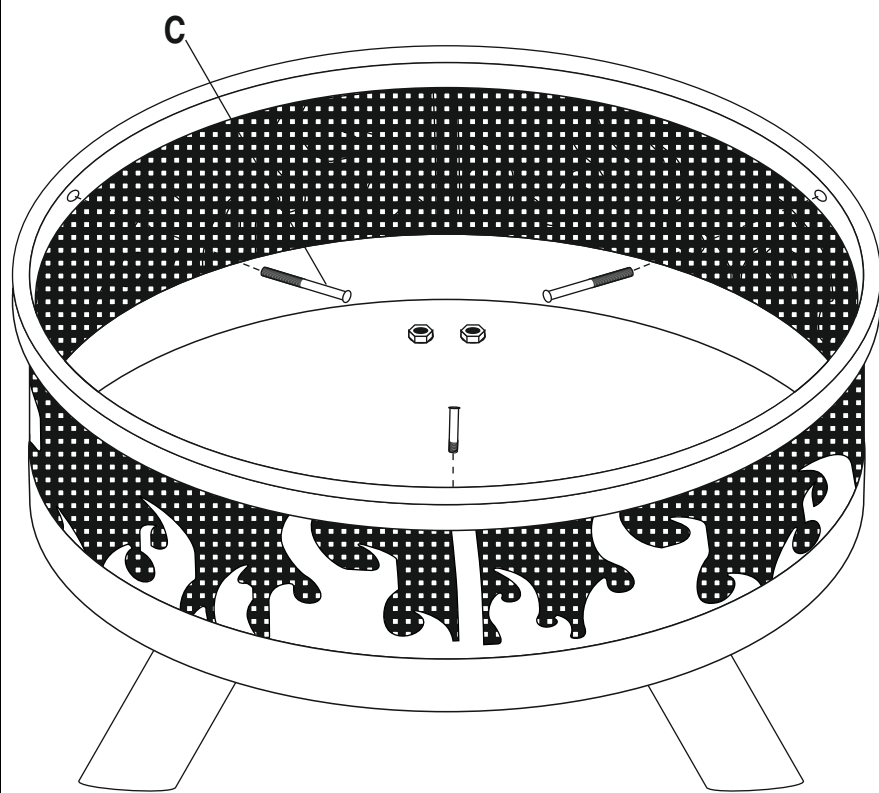
For Easiest Assembly:

1. Select an area where you will assemble this product. To protect components, choose a smooth surface that's free of cracks or openings.
2. Spread out all parts.
3. Tighten all hardware connections by hand first. Then, before completing each step, go back and fully tighten all hardware. Be careful not to overtighten. That could damage surfaces or strip threads.
4. For best results, complete each step in the order presented.

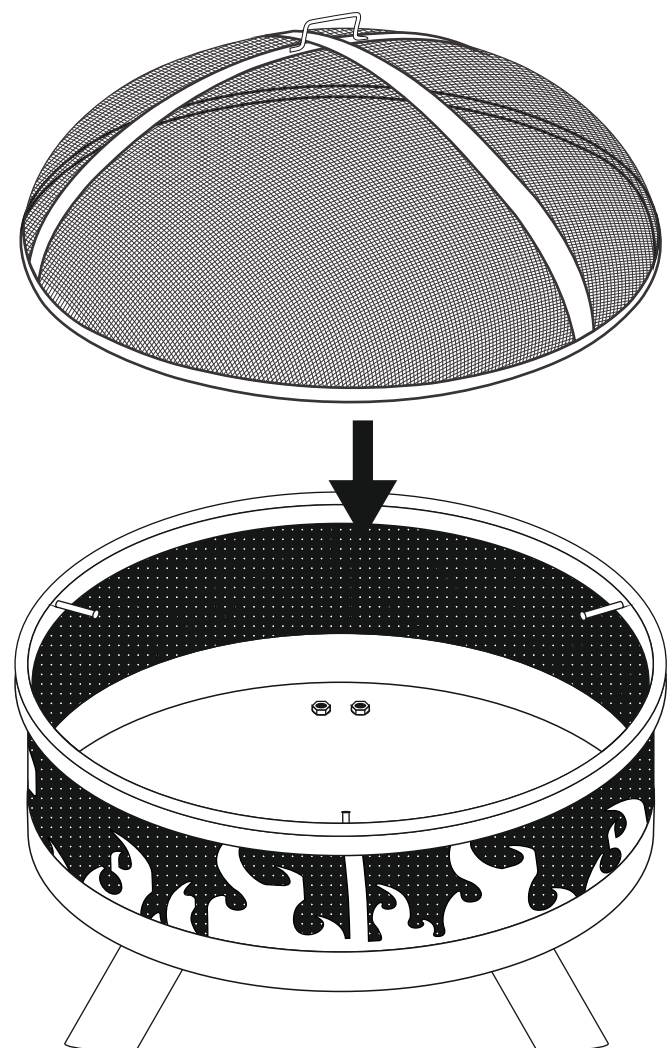
Typical assembly: approximately 30 minutes.

2
Attach Leg


A  x3 B  x3

3
Attach Treaded Rod


C  x3

4
Insert Spark Guard


Operating Instructions

- ▲ WARNING: Before using this outdoor fireplace, make sure you read, understand and are following all information provided in “Important Safeguards” on page 2. Failure to follow those instructions can cause death, serious injury or property damage.**

Lighting with Wood

1. Make sure there is no ash in the bottom of the bowl.
 2. Place a layer of dry kindling or a natural firestarter such as Fatwood™ on the center of the grate.
 3. Above that, place a layer of dry, seasoned hardwood that is cut to lengths of no more than ¾ the diameter of the bowl.
- ▲ CAUTION: Do NOT add gasoline, kerosene, diesel fuel, lighter fluid or alcohol to re-light or enhance an existing fire.**
4. Use a long match to light kindling or firestarter.
 5. Once the kindling or firestarter is lit, use heat resistant gloves and a fireplace tool to replace spark guard.

Tending the Fire

You may need to shift and/or add logs for an ideal experience.

- ▲ CAUTION: Do NOT place hot fireplace tools onto combustible surfaces such as grass, wooden decks or furniture.**

1. Using heat resistant gloves and a fireplace tool, carefully remove spark guard.
2. While using a long-handled fireplace tool, shift coals and logs to allow additional airflow.

- ▲ CAUTION: Do NOT add gasoline, kerosene, diesel fuel, lighter fluid or alcohol to re-light or enhance an existing fire.**

3. Wait until glowing embers have developed before adding any additional wood. If additional wood is needed, carefully place wood on top of embers.
4. Use heat resistant gloves and a fireplace tool to replace spark guard.

Extinguishing

1. Allow fire to burn itself out.
2. Do NOT use water to extinguish the fire. This can be dangerous and cause damage.

Cleaning and Care

▲ CAUTION:

1. **All cleaning and maintenance should be done when appliance is cool and with the fuel supply removed.**
2. **DO NOT clean any part of this appliance in a self-cleaning oven. The extreme heat will damage the finish.**

Inspecting

This outdoor fireplace should be inspected on a regular basis to ensure product safety and longer product life.

- ▲ CAUTION: Do NOT attempt to inspect this outdoor fireplace until the fire is COMPLETELY out and the fireplace has cooled.**

1. Check handles to make sure they are secure.
2. Check components for any signs of damage or rust.
3. If damage to any component is detected, do NOT operate until repairs are completed.

Cleaning

This outdoor fireplace should be cleaned on a regular basis to ensure product safety and longer product life.

Note: After repeated use, a slight discoloration of the finish may occur.

- ▲ CAUTION: Do NOT attempt to clean this outdoor fireplace until the fire is COMPLETELY out and the fireplace has cooled.**

- ▲ CAUTION: Do NOT use oven cleaner or abrasive cleaners as they will damage this product.**

- ▲ CAUTION: Do NOT clean any part of this outdoor fireplace in a self-cleaning oven as it may damage the finish.**

1. Wipe exterior surfaces with a mild dishwashing detergent or baking soda.
2. For stubborn stains, use a citrus-based degreaser and a nylon scrubbing brush.
3. Rinse clean with water.
4. Remove built-up creosote from components with a chimney cleaning product.

Tip: Keeping the outdoor fireplace covered when cooled and not in use will help protect it from the elements.

Cleaning and Care (continued)

Storage

- ▲ CAUTION: Do NOT move or store this outdoor fireplace until the fire is COMPLETELY out and the fireplace has cooled.**

1. Once the fire is out, embers are cold and outdoor fireplace is cool to the touch, remove and properly dispose of the ashes.
2. Store the outdoor fireplace assembled in a cool, dry location away from children and pets.

Product Registration

For faster warranty service, please register your product immediately. To register, email registration@mrbarbq.com with your name, address, phone number and copy of your receipt or call 1.888.398.8643.

Replacement Parts

For replacement parts, call 1.888.398.8643.

Limited Warranty

Mr. Bar-B-Q Products LLC warrants to the original retail purchaser of this product, and to no other person, that if this product is assembled, maintained, and operated in accordance with the printed instructions accompanying it, then for a period of one (1) year from the date of purchase, all parts in such product shall be free from defects in material and workmanship. Mr. Bar-B-Q Products LLC may require reasonable proof of your date of purchase. Therefore, you should retain your sales slip or invoice. This Limited Warranty shall be limited to the repair or replacement of parts, which prove defective under normal use and service and which Mr. Bar-B-Q Products LLC shall determine in its reasonable discretion upon examination to be defective. Before returning any parts, you should contact Mr. Bar-B-Q Products LLC Customer Care Department using the contact information listed below. If Mr. Bar-B-Q Products LLC confirms, after examination, a defect covered by this Limited Warranty in any returned part, and if Mr. Bar-B-Q Products LLC approves the claim, Mr. Bar-B-Q Products LLC will replace such defective part without charge. If you return defective parts, transportation charges must be prepaid by you. Mr. Bar-B-Q Products LLC will return replacement parts to the original retail purchaser, freight or postage prepaid.

This Limited Warranty does not cover any failures or operating difficulties due to accident, abuse, misuse, alteration, misapplication, improper installation or improper maintenance or service by you or any third party, or failure to perform normal and routine maintenance on the product as set out in this owner's manual. In addition, the Limited Warranty does not cover damage to the finish, such as scratches, dents, discoloration, rust or other weather damage, after purchase.

This Limited Warranty is in lieu of all other express warranties. Mr. Bar-B-Q Products LLC disclaims all warranties for products that are purchased from sellers other than authorized retailers or distributors, including the warranty of merchantability or the warranty of fitness for a particular purpose. Mr. Bar-B-Q Products LLC ALSO DISCLAIMS ANY AND ALL IMPLIED WARRANTIES, INCLUDING WITHOUT LIMITATION THE IMPLIED WARRANTIES OF MERCHANTABILITY AND FITNESS FOR A PARTICULAR PURPOSE. Mr. Bar-B-Q Products LLC SHALL HAVE NO LIABILITY TO PURCHASER OR ANY THIRD PARTY FOR ANY SPECIAL, INDIRECT, PUNITIVE, INCIDENTAL, OR CONSEQUENTIAL DAMAGES. Mr. Bar-B-Q Products LLC further disclaims any implied or express warranty of, and assumes no responsibility for, defects in workmanship caused by third parties.

This Limited Warranty gives the purchaser specific legal rights; a purchaser may have other rights depending upon where he or she lives. Some jurisdictions do not allow the exclusion or limitation of special, incidental or consequential damages, or limitations on how long a warranty lasts, so the above exclusion and limitations may not apply to everyone.

Mr. Bar-B-Q Products LLC does not authorize any person or company to assume for it any other obligation or liability in connection with the sale, installation, use, removal, return, or replacement of its equipment, and no such representations are binding on Mr. Bar-B-Q Products LLC.

Mr. Bar-B-Q Products LLC
10 Hub Dr., Ste 101, Melville, NY 11747 USA
1.888.398.8643