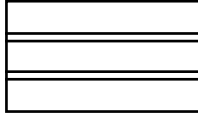




ASSEMBLY GUIDE
GUIDE DE MONTAGE
GUÍA DE MONTAJE

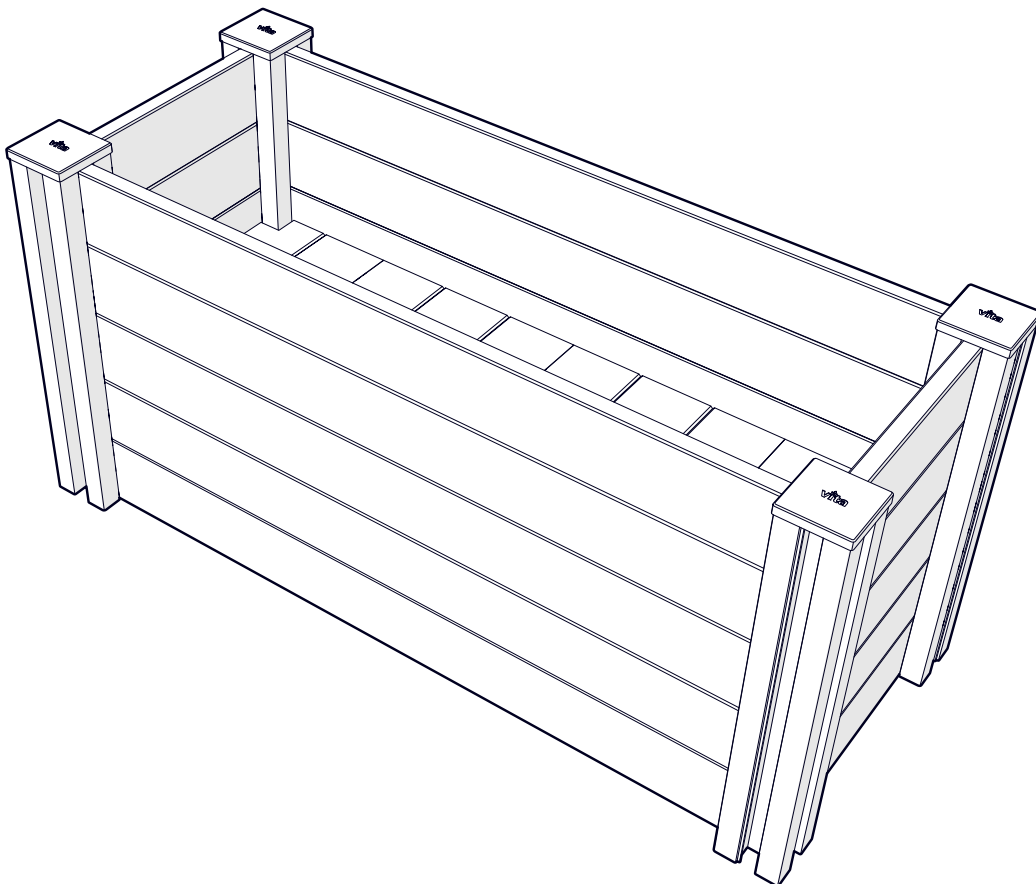
CLASSIC
CLASSIQUE
CLÁSICO

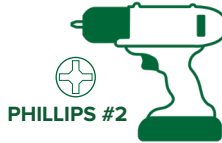


SMALL PARKLETTE PLANTER

PETITE JARDINIÈRE PARKLETTE
PEQUEÑA PLANTADORA DE PARKLETTE

VA68248





REQUIRED TOOLS AND MATERIALS (NOT INCLUDED)
OUTILS ET MATÉRIAUX REQUIS (NON INCLUS)
HERRAMIENTAS Y MATERIALES REQUERIDOS (NO INCLUIDOS)



HELLO@WEAREVITA.COM



VISIT WWW.WEAREVITA.COM
CLICK 'CHAT'



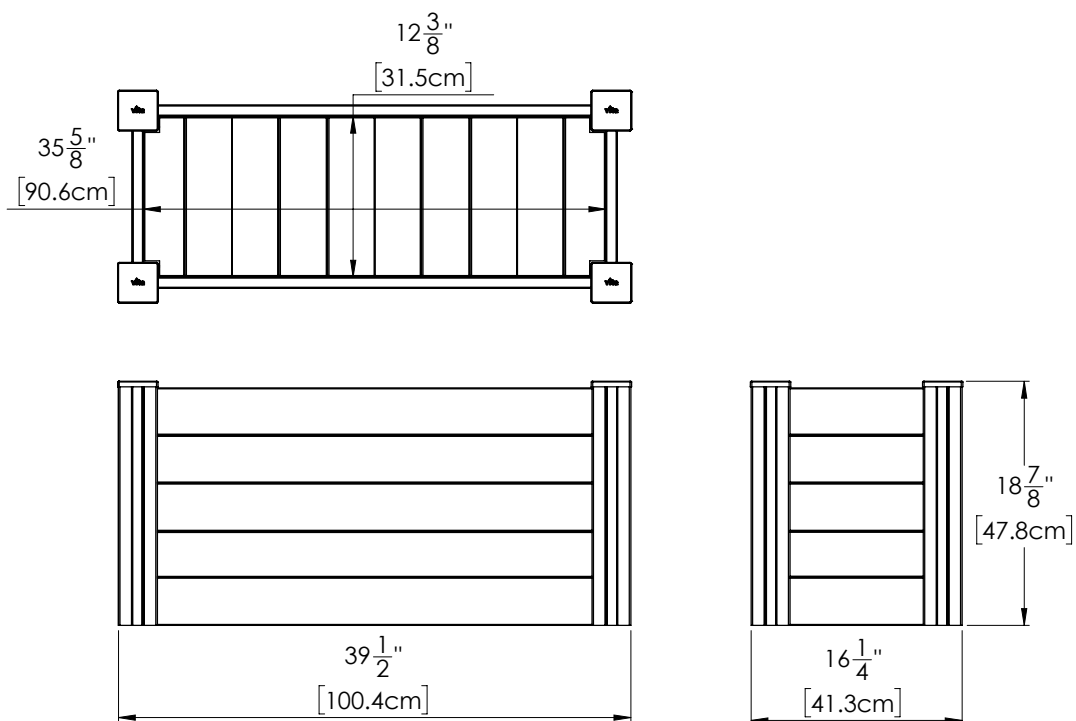
1-800-282-9346
MONDAY - FRIDAY | 8AM - 5PM EST



PRODUCT DIMENSIONS

DIMENSIONS DU PRODUIT

DIMENSIONES DEL PRODUCTO



COMPLETELY UNPACK AND TAKE INVENTORY OF PARTS BEFORE BEGINNING

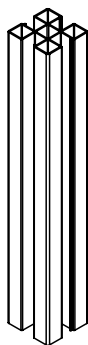
DEBALLEZ COMPLETEMENT ET FAITES L'INVENTAIRE DES PIECES AVANT DE COMMENCER

ANTES DE COMENZAR, DESEMBALE COMPLETAMENTE EL PRODUCTO Y REALICE UN INVENTARIO DE LAS PIEZAS

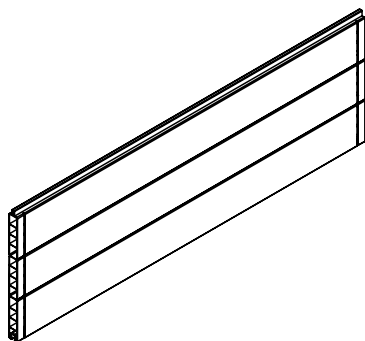
PARTS LIST

LISTE DES PIÈCES

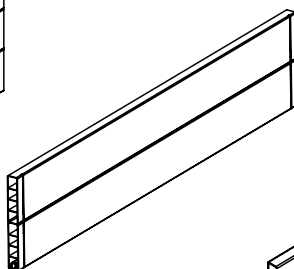
LISTADO DE PIEZAS



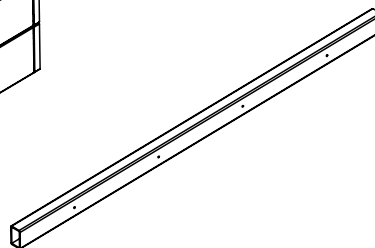
1 x4



2 x2



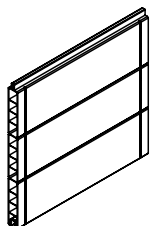
3 x2



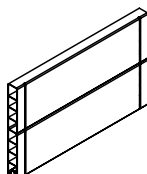
4 x2



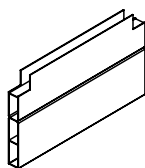
5 x8



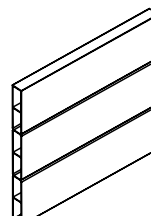
6 x2



7 x2



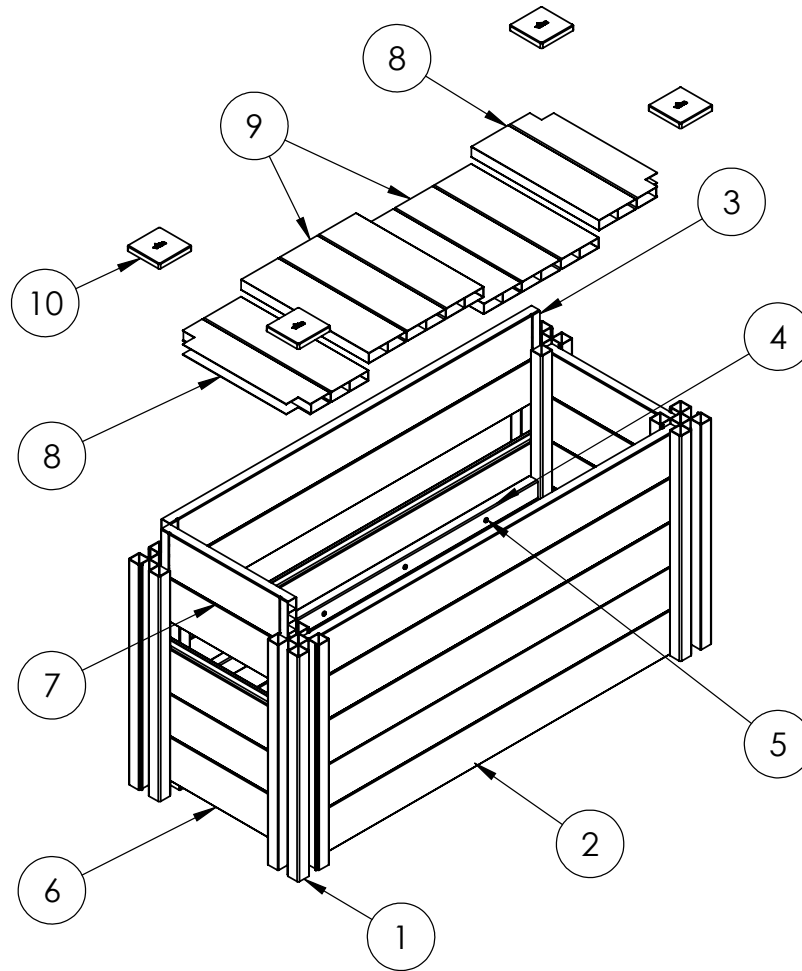
8 x2



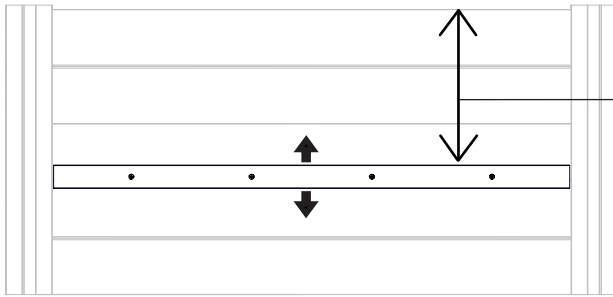
9 x2



10 x4



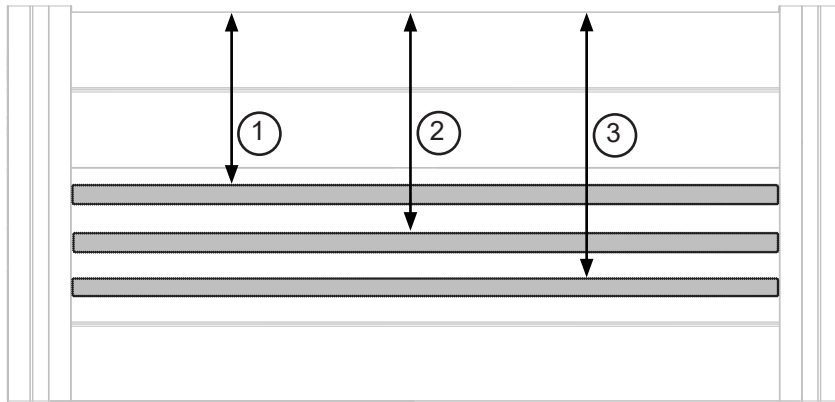
Item No.	Part Number	Description	Dimension	QTY.
1	10303	Post	18 5/8" (47.3 cm)	4
2	11205	Long Lower Board	35 1/8" X 11" (89.7 cm X 27.9 cm)	2
3	11206	Long Upper Board	35 1/8" X 7 3/8" (89.7 cm X 18.6 cm)	2
4	10308	Floorboard Brace	33 1/4" (84.3 cm)	2
5	20080	Round Head Screw	#8 X 1 1/4" (3.2 cm)	8
6	11207	Short Lower Board	12" X 11" (30.6 cm X 27.9 cm)	2
7	11208	Short Upper Board	12" X 7 3/8" (30.6 cm X 18.6 cm)	2
8	10306	End Floorboard	12 1/8" x 6 3/4" (30.9 cm x 17.1 cm)	2
9	10307	Mid Floorboard	12 1/8" x 11" (30.9 cm x 27.9 cm)	2
10	60045	Post Cap- VITA	3 1/8" x 3 1/8" (7.9 cm X 7.9 cm)	4



Choose soil depth level based on what you want to Grow!

Establezca el nivel de profundidad del suelo en función de lo que desee cultivar!

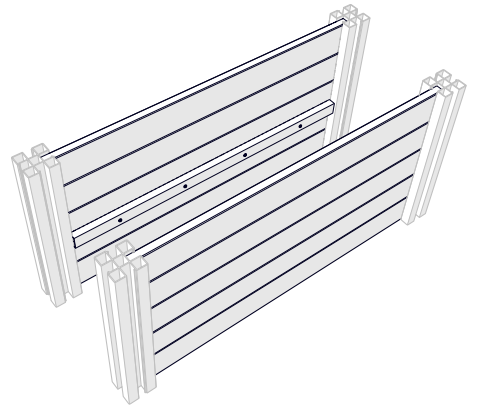
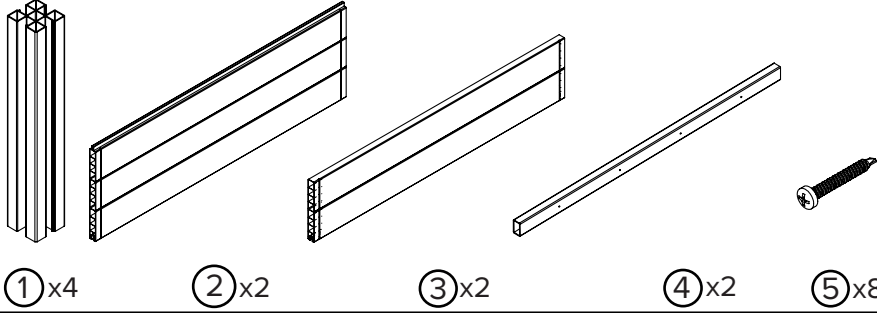
Choisissez le niveau de profondeur de terreau suivant ce que vous voulez faire pousser!



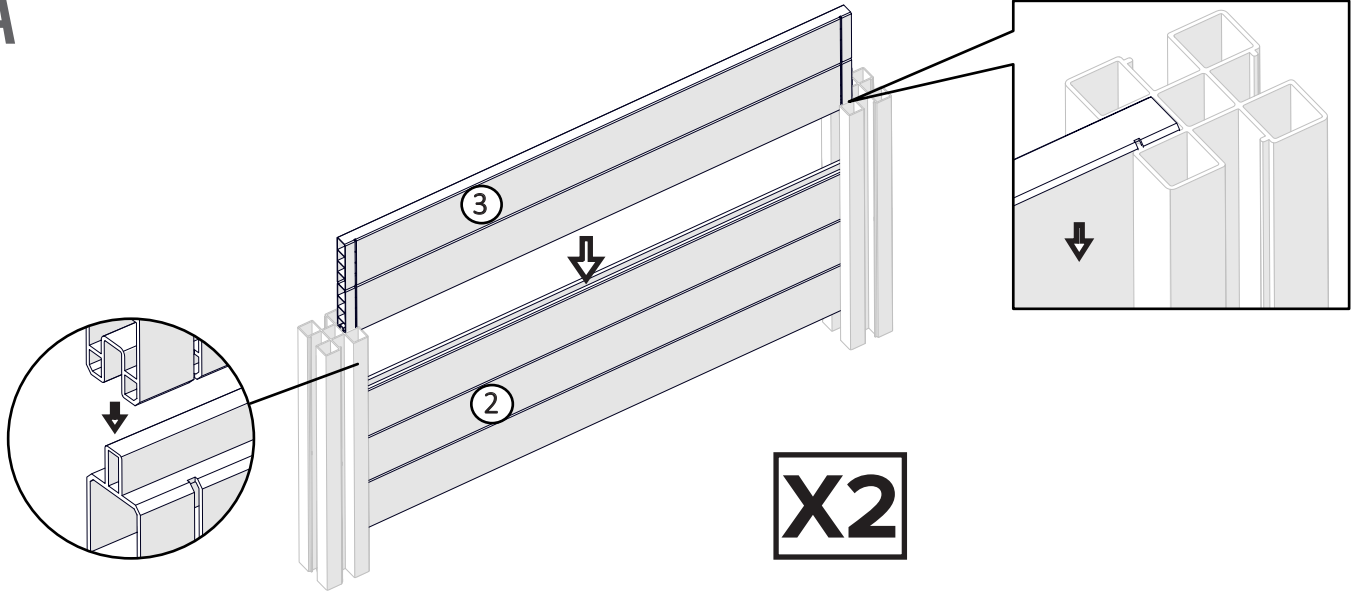
Level	Depth	Amount of Soil
①	8" (20.3 cm)	1.8 cubic feet (51.6 liters)
②	10" (25.4 cm)	2.3 cubic feet (66.1 liters)
③	12" (30.4 cm)	2.8 cubic feet (80.6 liters)

PREPARE LONGSIDE BOARDS

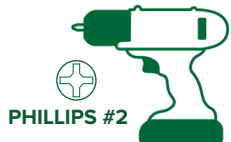
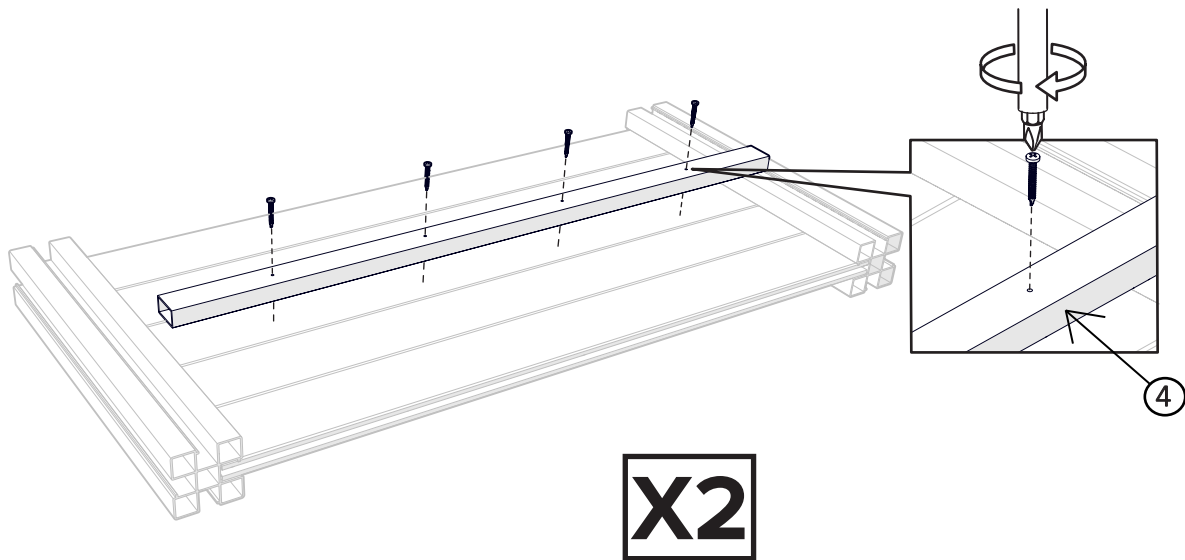
PREPAREZ LES PLANCHES LATÉRALES LONGUES
PREPARE LAS TABLAS LARGAS



IA

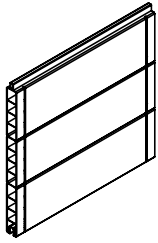


IB

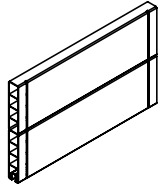


2 SLIDE DOWN SHORTSIDE BOARDS

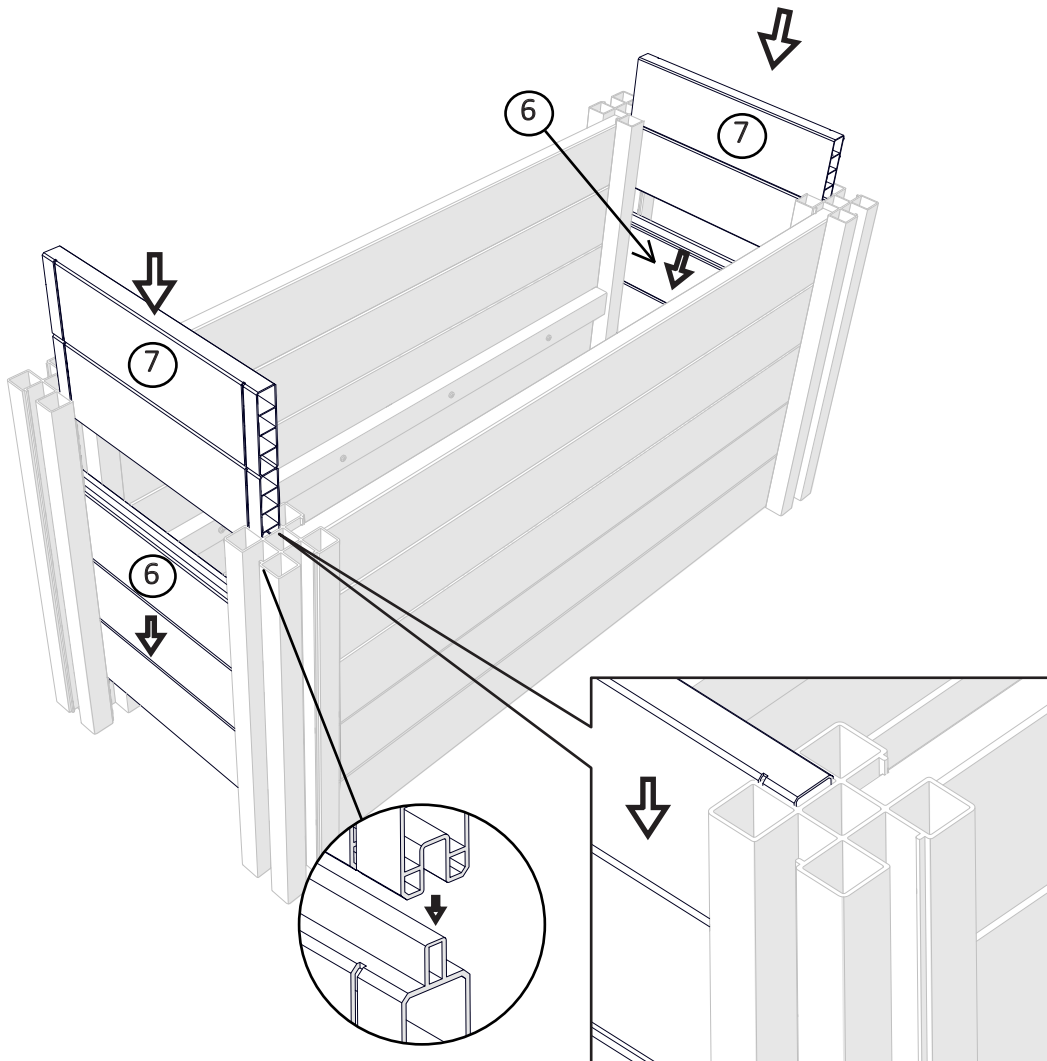
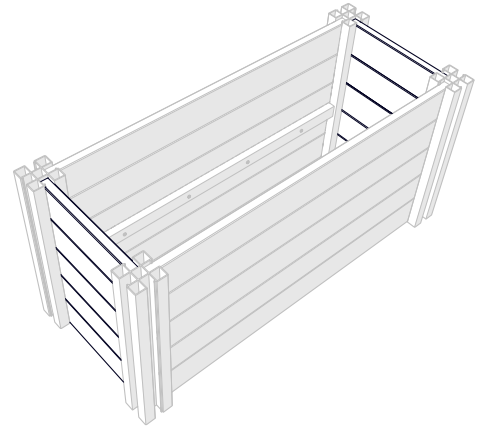
FAITES GLISSER LES PLANCHES LATÉRALES COURTES
DESPLACE LAS TABLAS DE LOS LADOS MÁS CORTOS



⑥x2

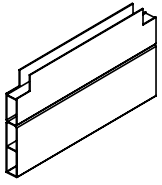


⑦x2

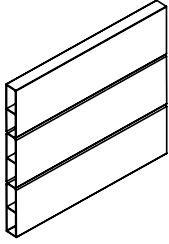


3 SECURE FLOORBOARDS AND POST CAPS

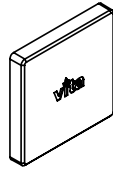
FIXEZ LES PLANCHES DU PLANCHER ET LES EMBOUTS DE POTEAUX
ASEGURE LAS TABLAS DEL SUELO Y LOS TAPONES TERMINALES DE LOS POSTES



⑧ X2



⑨ X3



⑩ X4

