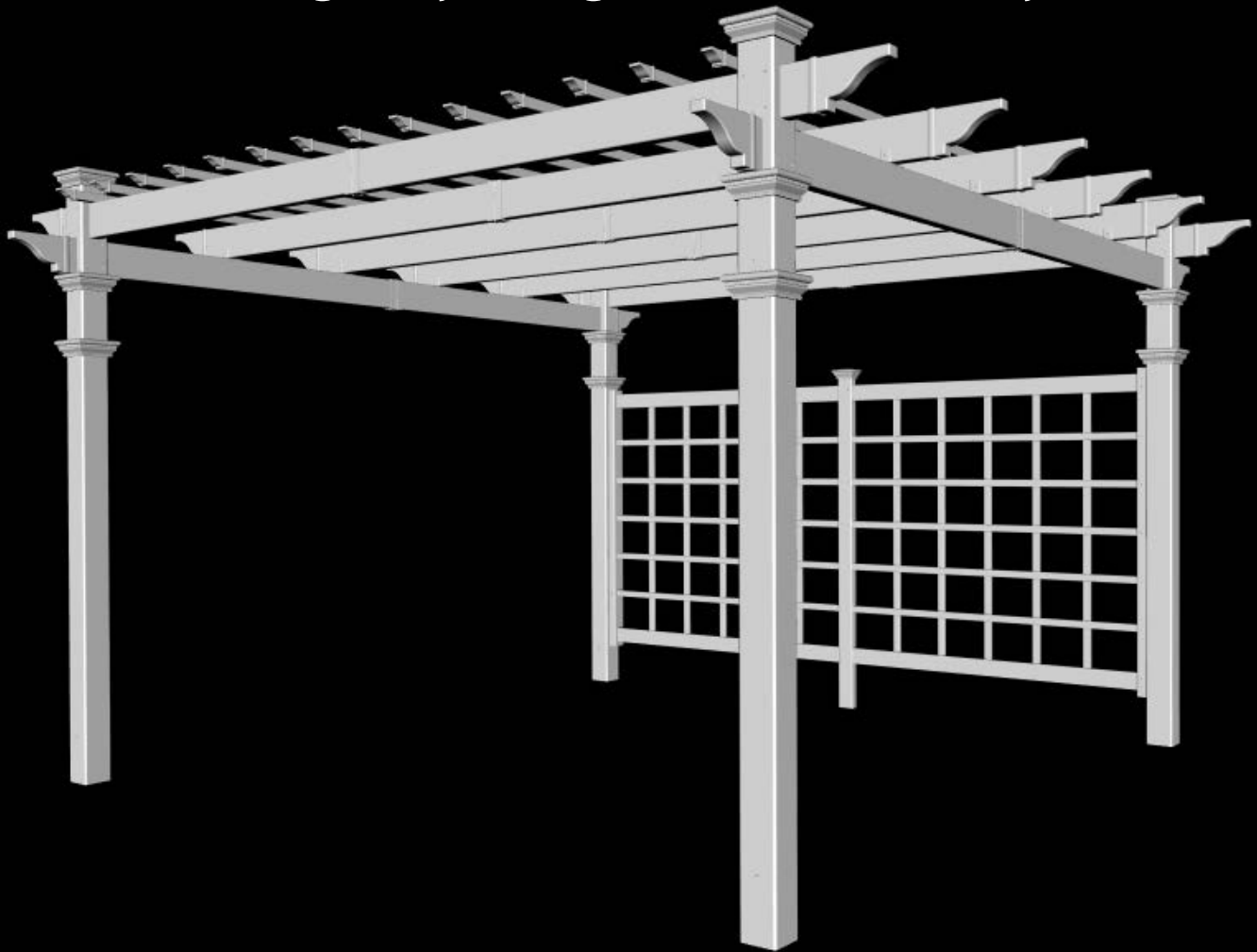


12 x 12 Regency Pergola with Privacy Trellis



ASSEMBLY GUIDE

OPTIONAL ACCESSORIES:

- Bolt Down Bracket Kit (4 for Pergola)
- Canvas Weave
- Shade Kit
- Pergola Planter (Regency Only)

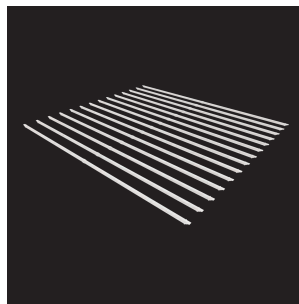
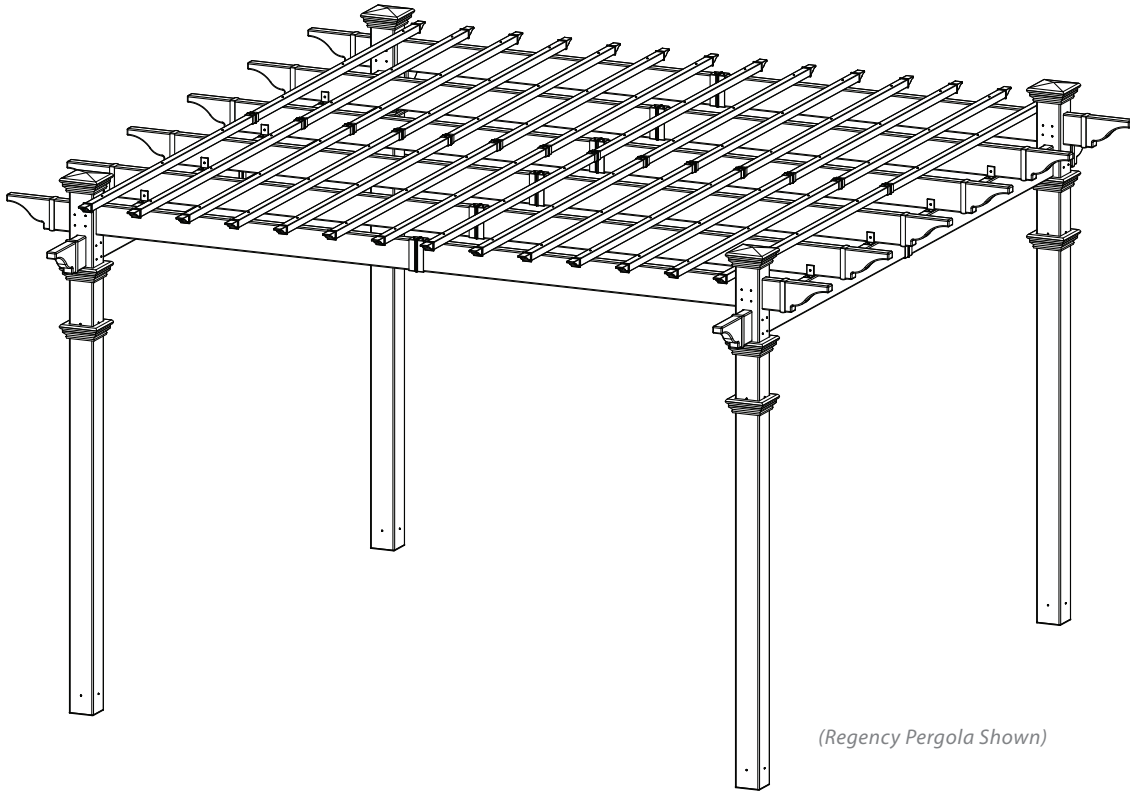


Table of Contents

	PAGE
12 x 12 Regency Pergola with Privacy Trellis	
Introduction & Overview.....	3
Pergola Materials Overview.....	4
Pergola Materials Breakdown.....	5
Pergola Additional Materials List.....	7
Wood Post Layout & Installation for In-Ground Application.....	8
Wood Post Layout & Installation using Bolt Down Post Brackets for Concrete or Wood Surface.....	9
Vinyl Column Assembly and Installation Over Wood Posts.....	10
Main Support Beam Assembly.....	11
Rafter Assembly.....	12
Main Support Beams & Rafter Placement.....	13
Fastening Rafters & Caps.....	14
Shade Slats Installation.....	15
Privacy Trellis Assembly & Installation.....	16

Introduction & Overview



(Regency Pergola Shown)

Getting Started

First off, allow us to say thank you for the investment you have made in one of our fine pergola kits. This kit is designed to be assembled and installed ideally by two people with basic carpentry knowledge and tools. Do not attempt alone, especially during the installation stage. Should you decide to moderately modify the dimensions of your pergola from the standard kit size, a circular saw with a sharp fine-tooth blade is all that is needed to cut, shorten or modify the vinyl components. When assembling components place on a non-abrasive surface (ie: shipping box) to avoid scratching. We recommend a 15' x 15' area for unobstructed assembling. You should not need to use excessive force when assembling any components.

Planning & Preparing

The Regency Pergola is made to stand independent of your home and you can either locate it near your house or let it stand alone in the garden. By keeping it unattached from your home you will not have to deal with moving existing gutters or matching eave heights. If you plan to build your pergola close to the house, please keep the outer extremities of the pergola a minimum of 4 inches back from your eaves.

What looks like the toughest part of this project is actually the easiest, the graceful, solid-looking columns. We've designed these columns to simply be slipped over treated 4x4 wood posts that are either embedded in concrete or directly mounted to a concrete or wood surface using our bolt down brackets. See pages 7, 8 and 9 for more details.

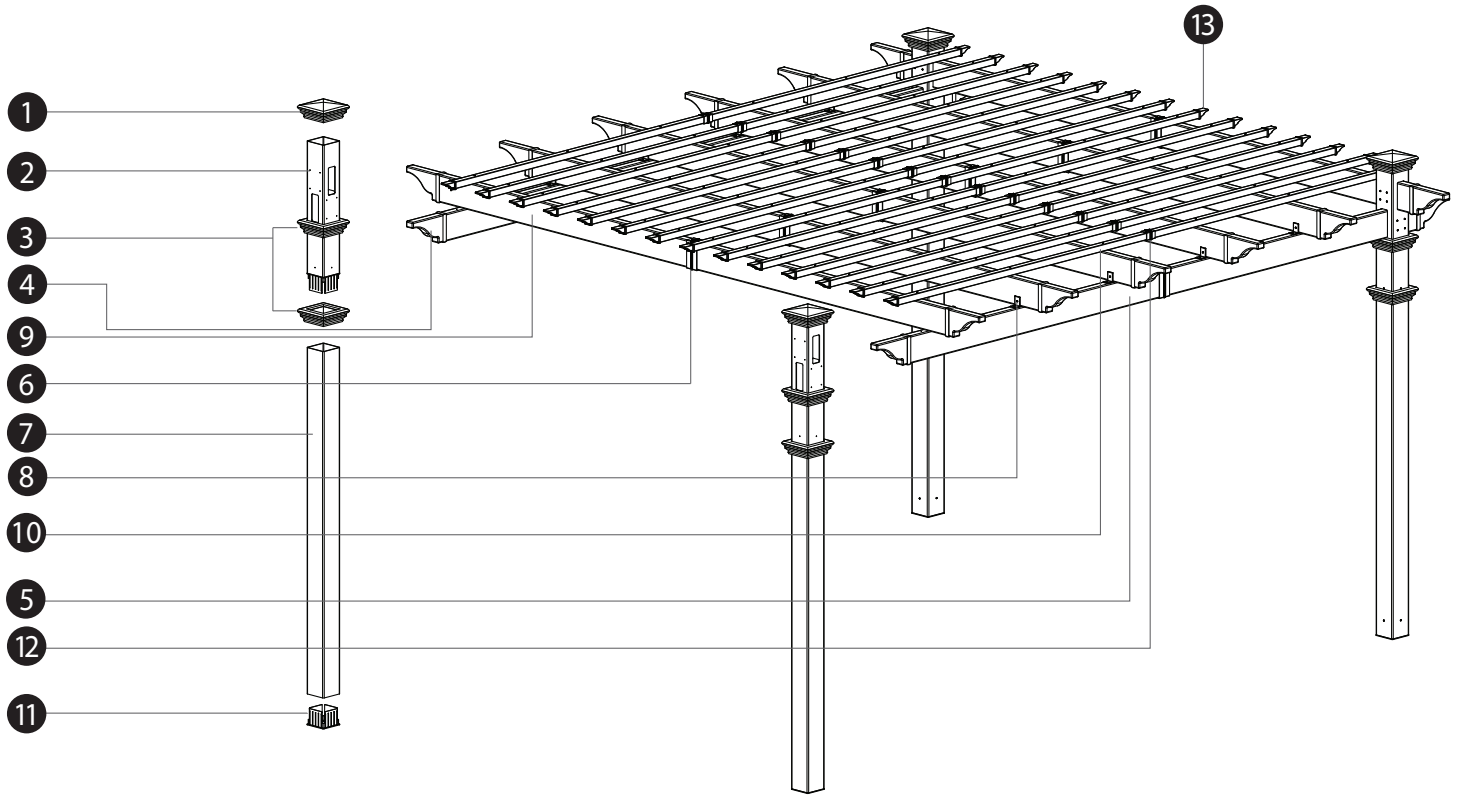
It is critical before you start that you consider the current slope of elevation where the pergola is planned - if there is any. Also utility or sprinkler line location is important to identify prior to excavating holes if necessary. You should also check to verify local building codes, ordinances, neighbourhood covenants, or height restrictions regarding this type of structure.

Restriction of Use

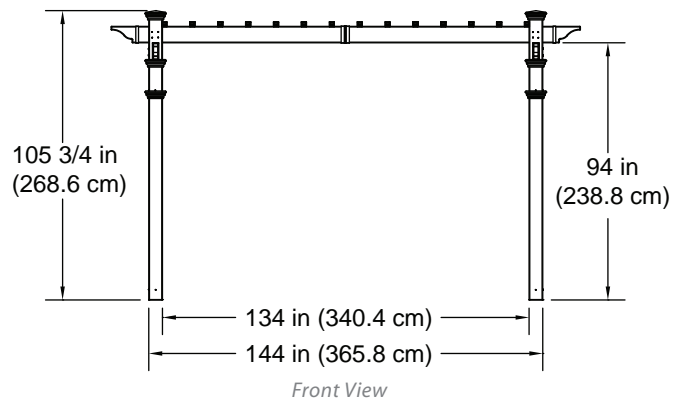
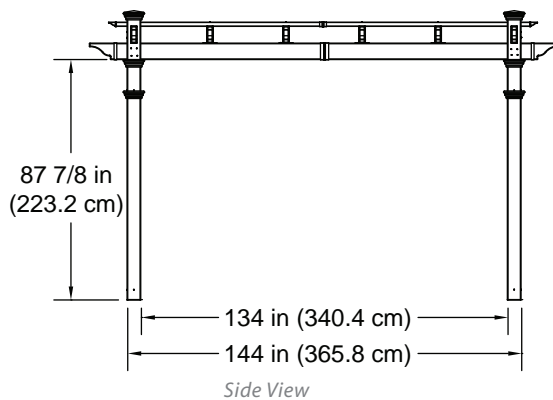
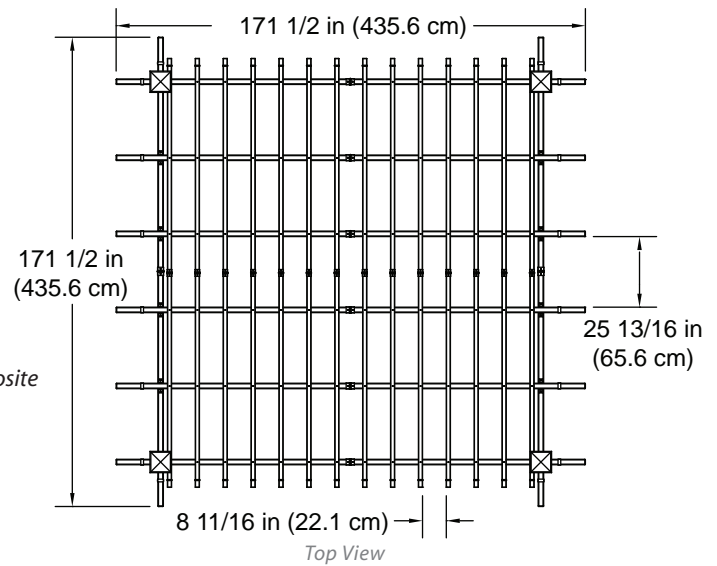
*This product **is not** designed to carry additional weight loads such as swings, people or other objects.*

Please take the time to read this instruction guide thoroughly prior to the construction of your pergola. If you have any questions, feel free to contact our technical dept by calling 1 800 282 9346 (Mon to Fri 8:00 A.M. to 5:00 P.M. EST).

Regency Pergola Materials Overview



- 1. **Post Caps (4)** 10699-1 White / 14030 Composite
- 2. **Main Column Tops (4)** 10826 White / 14025 Composite
- 3. **Post Trims (8)** 10698-1 White / 14029 Composite
- 4. **Rafter & Beam Decorative End Caps (16)** 10829 White / 14048 Composite
- 5. **Main Support Beams (4)** 10817 White / 14033 Composite
- 6. **Beam & Rafter Joiners (8)** 10820 White / 14026 Composite
- 7. **Main Column Bottoms (4)** 10816 White / 14024 Composite
- 8. **Rafter Brackets (8)** 10827 White / 14031 Composite
- 9. **Rafters (12)** 10818 White / 14034 Composite
- 10. **Shade Slates (28)** 10819 White / 14035 Composite
- 11. **One Way 4" x 4" Internal Wood Post Guide (4)** 10696-1 White / 14027 Composite
- 12. **Shade Slat Joiners (14)** 10600-1 White / 14028 Composite
- 13. **Shade Slat Decorative End Caps (28)** 30030-1 White / 14032 Composite
- 14. **Rafter Hanger (6)** 10828 White / 14082 Composite

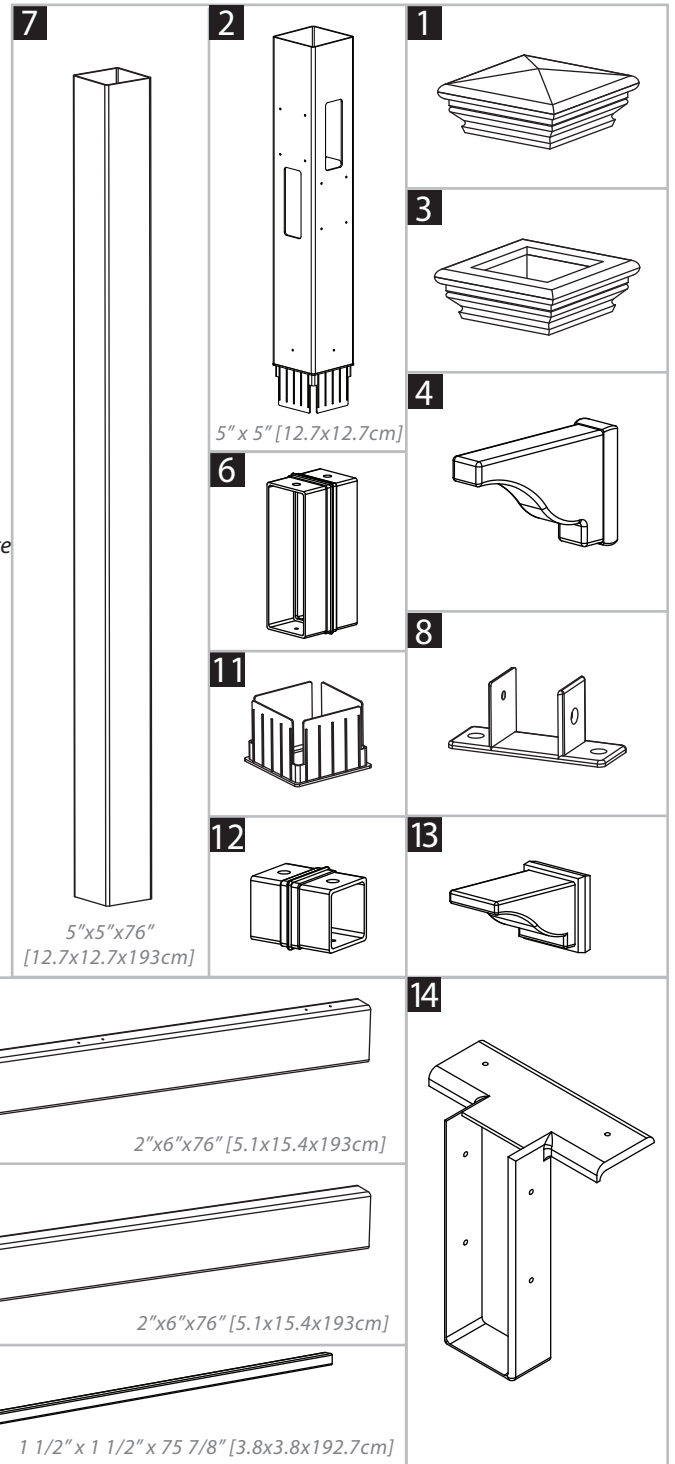


Regency Pergola Materials Breakdown

Check Boxes (Total of 6) for These Contents

In the event of missing or defective parts please call our customer service dept. at **1 800 282 9346** (Mon. to Fri. 8:00 AM to 5:00 PM EST)

1. **Post Caps (4)** 10699-1 White / 14030 Composite
2. **Main Column Tops (4)** 10826 White / 14025 Composite
3. **Post Trims (8)** 10698-1 White / 14029 Composite
4. **Rafter & Beam Decorative End Caps (16)** 10829 White / 14048 Composite
5. **Main Support Beams (4)** 10817 White / 14033 Composite
6. **Beam & Rafter Joiners (8)** 10820 White / 14026 Composite
7. **Main Column Bottoms (4)** 10816 White / 14024 Composite
8. **Rafter Brackets (8)** 10827 White / 14031 Composite
9. **Rafters (12)** 10818 White / 14034 Composite
10. **Shade Slates (28)** 10819 White / 14035 Composite
11. **One Way 4"x4" Internal Wood Post Guide (4)** 10696-1 White / 14027 Composite
12. **Shade Slat Joiners (14)** 10600-1 White / 14028 Composite
13. **Shade Slat Decorative End Caps (28)** 30030-1 White / 14032 Composite
14. **Rafter Hanger (6)*** 10828 White / 14082 Composite
 (*) May be disposed of when installing the Regency / Roosevelt Pergola.



Not to Scale

Tools You Will Need

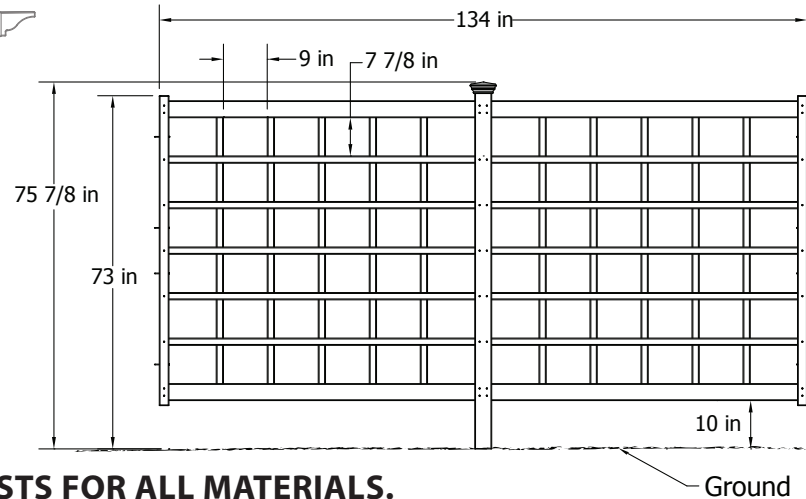
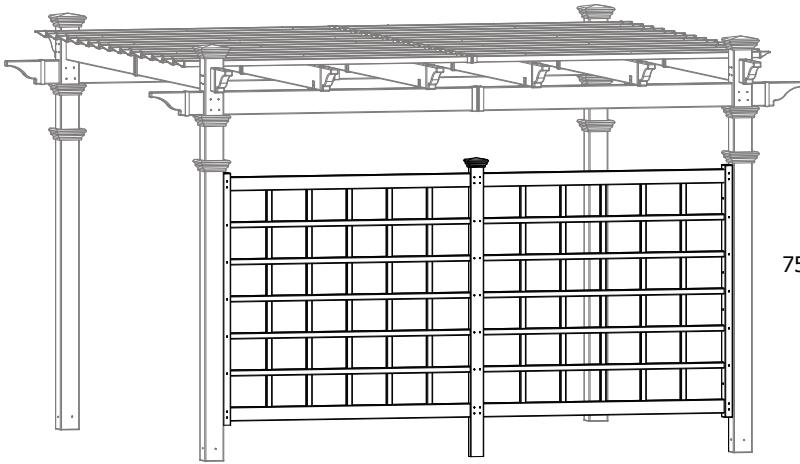
- Level
- Hammer
- Tape Measure
- String Line
- Wood Stakes (4) (temporary support for string line)
- Step Ladders (2)
- Cordless Drill

Tools You May Need

- Circular Saw with Fine Tooth Blade
- Framing Square

Privacy Trellis Materials Breakdown

The 12' Pergola Trellis is designed to be installed with our 12' x 12' Pergola with an opening of 134" between the posts.



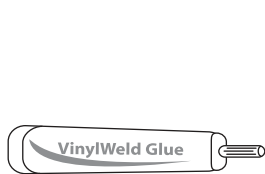
Please read through before starting assembly.

IMPORTANT: CHECK THE INSIDE OF YOUR POSTS FOR ALL MATERIALS.

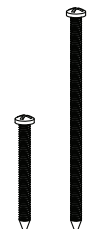
Check Box for These Contents

In the event of missing or defective parts please call our customer service dept. at **1 800 282 9346** (Mon. to Fri. 8:00 AM to 5:00 PM EST).

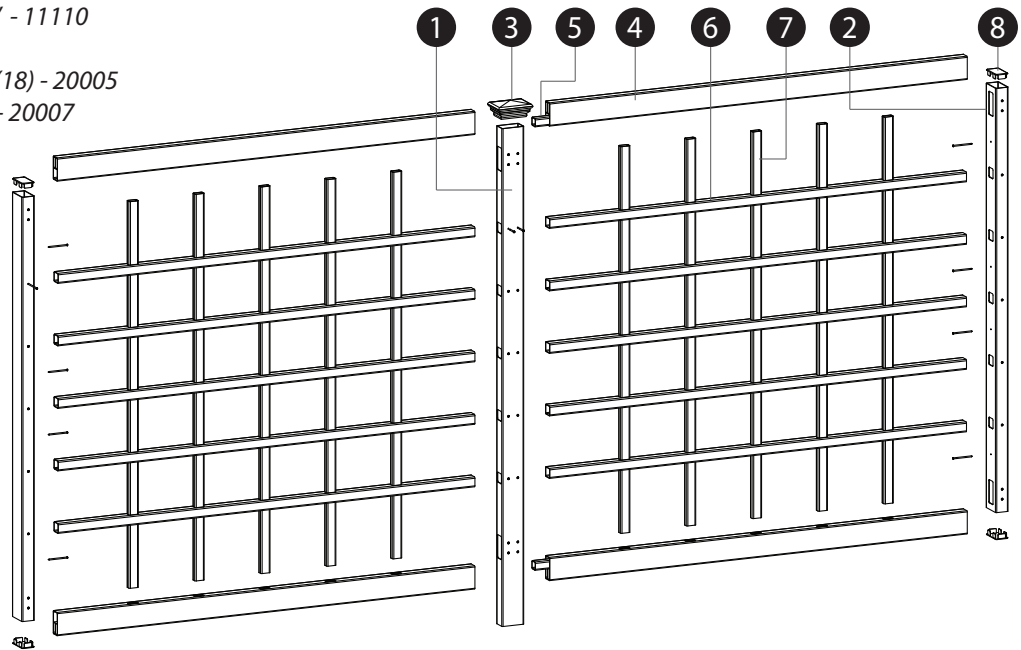
1. Center Post (1) 2" x 3 1/2" x 75" - 11105
2. Pergola Posts (2) 2" x 3 1/2" x 64" - 11106
3. Post Cap (1) - 10611
4. Top and Bottom Rails (4) 1 1/2" x 3 1/2" x 66 7/8" - 11107
5. Rail Inserts (2) 1 1/4" x 1 1/4" x 20 1/2" - 11108
6. Horizontal Spindles (10) 1 1/2" x 1 1/2" x 66 3/4" - 11109
7. Vertical Spindles (10) 7/8" x 1 1/2" x 58 1/4" - 11110
8. 2" x 3 1/2" Flat top Caps (4) - 10615
9. 1 1/2" Self-Auguring Stainless Steel Screw (18) - 20005
10. 3" Self-Auguring Stainless Steel Screw (26) - 20007
11. Tube of Vinyl Glue (1) - 20000



11



9 10
Not to Scale



Tools You Will Need

- Cordless Drill
- Level

Optional Materials

- See note on page 6
- Pressure treated wood 2x4x?" (To be modified)
- "L" Bracket (If securing center post to concrete)
- Wood screws for securing modified 2x4

General Information

- **Read Instructions through carefully before beginning assembly.**
- When assembling components, place on a non-abrasive surface (i.e. shipping box) to avoid scratching.
- We recommend an area approx 5'x 8' for unobstructed assembling.
- You should not need to use excessive force when assembling component.

Pergola Additional Materials List

Hardware *(in plastic bag)*

All Screws Included with this Kit are Self-Auguring.

A. Vinyl Weld Glue (3) - 20000 White / 20022 Composite

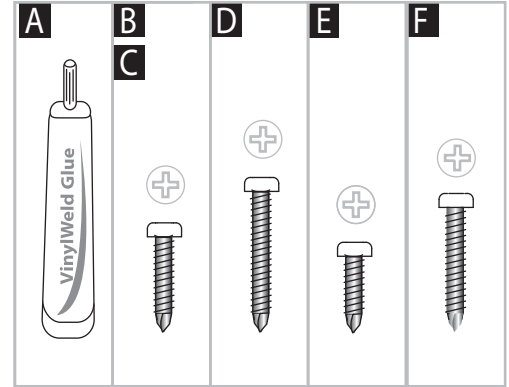
B. 2 1/2" [64 mm] Self-Auguring Stainless Steel Screws (16) - 20009-1 White / 20032 Composite (to lock vinyl column and wood post together at bottom of each post)

C. 2 1/2" [64 mm] Self-Auguring Stainless Steel Screws (16) - 20009-1 White / 20032 Composite (to lock vinyl column and wood post together at top of each post just above trim cap)

D. 4" [102 mm] Self-Auguring Stainless Steel Screws (64) - 20006 White / 20034 Composite (to lock the intersection of beams and first rafters with vinyl columns)

E. 1 1/2" [38 mm] Self-Auguring Stainless Steel Screws (96) - 20005 White / 20031 Composite (joiner screws)

F. 3" [76 mm] Self-Auguring Stainless Steel Screws (84) - 20007 White / 20033 Composite (for shade slats)



Extra Materials You will Need

(Purchase separately from www.wearevita.com or retailer of our products)

If Mounting Pergola on Concrete (not intended to be installed on concrete pavers, patio stones, or interlocking bricks) or Wood Deck

I. 4x4x7 [10cmx10cmx200cm] Pressure-Treated Wood Posts (4) *(purchase at local building center)*

J. 4x4 Bolt Down Bracket Kit *(purchase from www.wearevita.com or a retailer of our products)* Refer to bolt down bracket instructions for hardware requirements, as they pertain to your application:

If mounting pergola onto an existing concrete surface:

- 1/2" x 3 1/2" x 12" (1.3x9.x30.5cm) Wood Shims (32) - Can Be Cut from 1/2" (1.3cm) Sheet of Plywood
- 1/4" x 2 3/4" (6x70mm) Cement Screws - *Countersunk Head* (12)
- 3/16" (5mm) Concrete drill bit. Minimum 3" long (1)

If mounting pergola onto a wooden/composite deck with

AN ACCESSIBLE UNDERSIDE:

- 1/2" x 3 1/2" x 12" (1.3x9.x30.5cm) Wood Shims (32) - Can Be Cut from 1/2" (1.3cm) Sheet of Plywood
- 1/4" x ?" (6x?mm) Bolts and Nuts - *Countersunk Head* (12) (Length depends on thickness of the blocking material)
- 1/4" (6mm) Washers (12)
- 1/4" (6mm) Wood drill bit. Minimum 3" long (1)

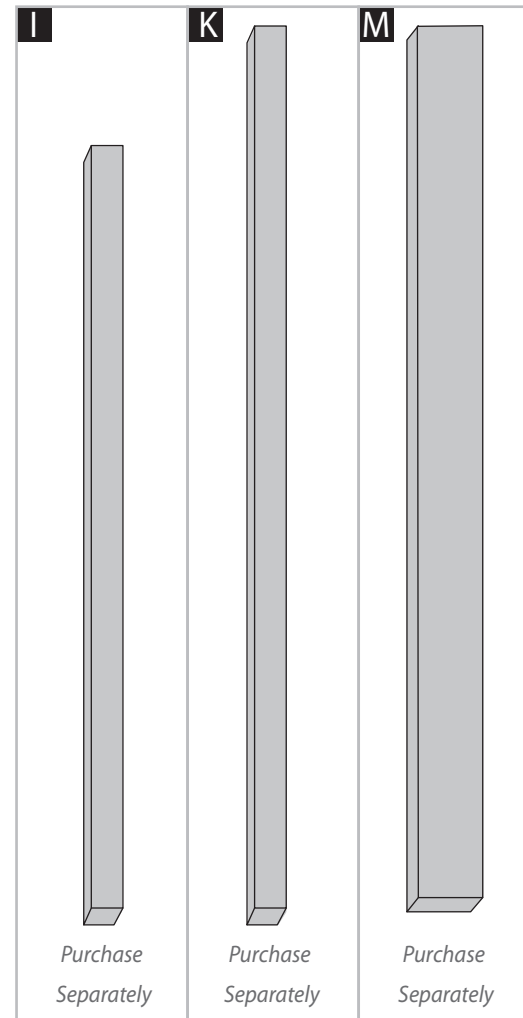
If Mounting Pergola in Ground

K. 4x4x10 (10x10x300cm) Pressure-Treated Wood Posts (4) *(purchase at local building center)*

L. Concrete Ready Mix (4) *(purchase at local building center)*

Rafter / Beam Support (Required)

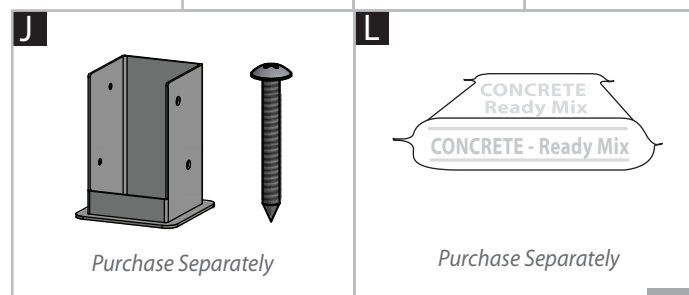
M. 2x6x12 (5x15x365cm) Pressure-Treated Boards (8) *(purchase at local building center)*



Purchase Separately

Purchase Separately

Purchase Separately



Purchase Separately

Purchase Separately

Wood Post Layout & Installation for In-Ground Application

This pergola can also be installed on a pre-existing wood or concrete surface using our bolt down bracket system with a 4x4 wood post (sold separately). See page eight for more details.

Post location and placement is the most critical step in the overall installation process. Please double check for the possibility of any underground utilities such as sprinkler, gas or telephone lines.

STEP ONE

Measure and mark out the location of the pergola posts using string line and temporary wood stakes. Diagonal distances must be the same to ensure a square installation. Adjust string lines accordingly. The inside corner of the string lines will be the post location.

Please Note:

Should you decide to moderately modify the dimensions of your pergola from the standard kit size, a circular saw with a sharp fine-tooth blade is all that you need to cut, shorten or modify the vinyl components.

STEP TWO

Install Wood Supporting Posts Directly into the Ground

1

After you have determined where the posts will be located, excavate 10" (25.4cm) diameter x 36" (91.4cm) deep post holes.

2

After holes are dug and cleaned, place the 4x4 (9x9cm) wood post into a hole ensuring it's level and square to string lines. The final post height should be 84" (213 cm) out of the ground. If a post is higher because of obstructed excavation of footings, please cut down in height accordingly.

3

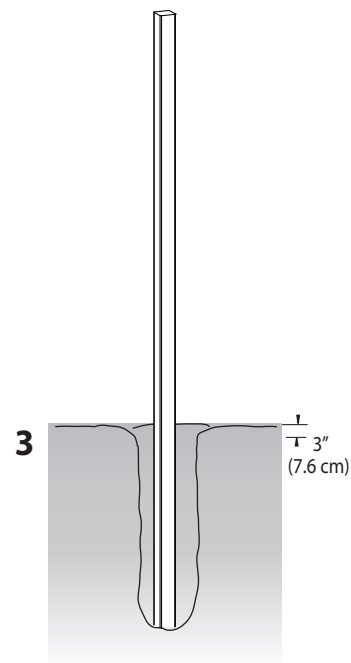
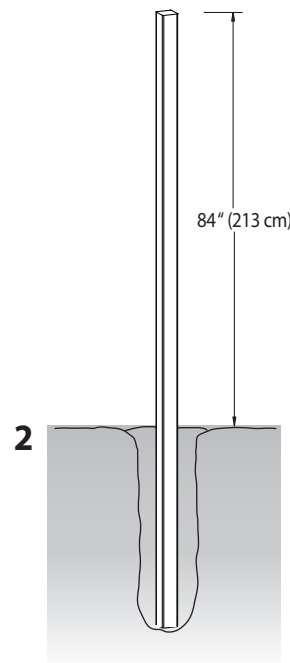
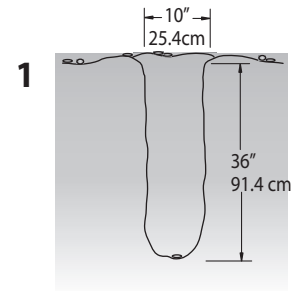
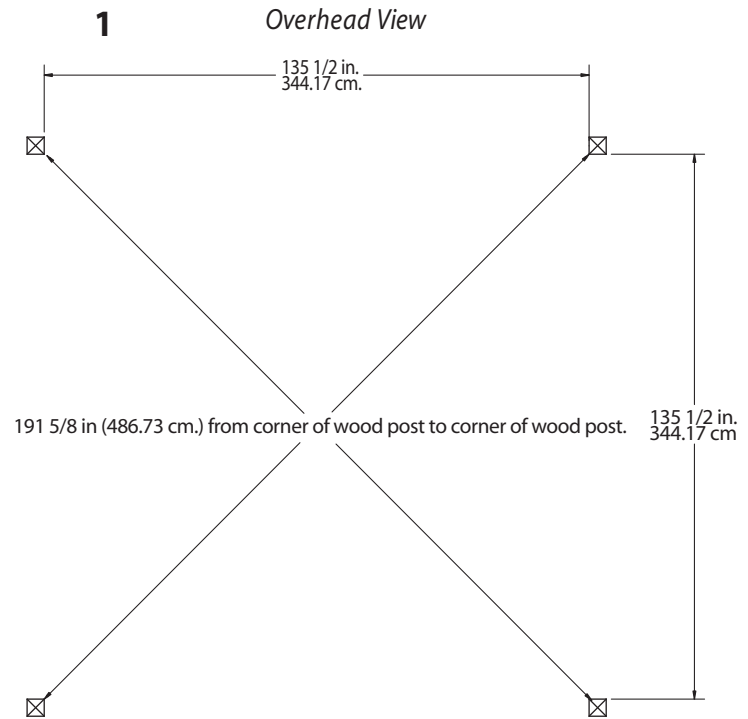
Fill the vacant hole with pre-mixed concrete all the way to within 3" (7.6cm) of the top of the hole. Once concrete has set, backfill & compact 3" (7.6cm) space with soil.

4

Repeat for all four posts.

Please Note:

Some 4x4 pressure treated posts can be larger than 3 1/2 x 3 1/2 square due to twisting or cracking. We have allowed a tolerance for this in the internal one way and two way 4x4 wood post guides (see page 8). However in extreme cases you may need to shave down the top of the 4x4 wood post slightly to get the vinyl post started over the wood post. Before installing your wood posts in the ground, please check to confirm this and correct at this stage if necessary.



OPTIONAL STEP

Wood Post Layout & Installation Using Bolt Down Brackets for Concrete or Wood Surface

Note: for additional information on the bolt down bracket installation, refer to the bolt down bracket instructions.

1

Measuring from the edges of the bottom base plates, measure and mark out the location of the bolt down brackets using string or chalk line. Diagonal distances must be the same to ensure a square installation. Adjust string lines accordingly. The inside corner of the string lines will be the bottom corner flange of the bolt down bracket.

2

Mark out the location of bolt down brackets accordingly using the base of the bracket accordingly.

3

Using a 3/16" (5mm) masonry drill bit drill 3" (76 mm) deep holes to allow installation of 2 3/4" (70mm) concrete screws.(Not included)

4

Proceed to install three 2 3/4" (70mm) concrete screws into the bottom base of the bolt down bracket.(Not included)

Please Note:

Concrete patios generally have sloped surface for water run-off. If this is the case, when you secure the bolt down bracket to the concrete, the bracket may be at an angle. This can be corrected for level using galvanized steel washers (not provided), acting as shims underneath the base to level - **VERY IMPORTANT OR PERGOLA BEAMS AND RAFTERS WILL NOT BE LEVEL.**

5

With the four post brackets installed plumb, proceed to set the 4x4 x7' (10cmx10cmx200cm) wood post into place.

6

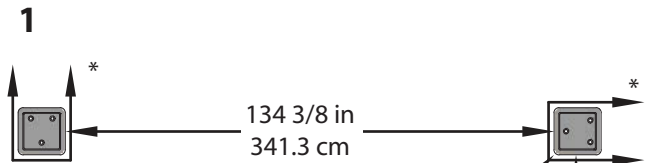
Posts should be 84" (213 cm) in height.

7

In order to create a snug fit between the wood posts and the inner cavity of the vinyl posts, it will be necessary to "build out" the 4x4 posts near the bottom and the top using 1/2" x 3 1/2" x 12" (1.3x9.x30.5cm) shims. Follow instructions as illustrated.

Please Note:

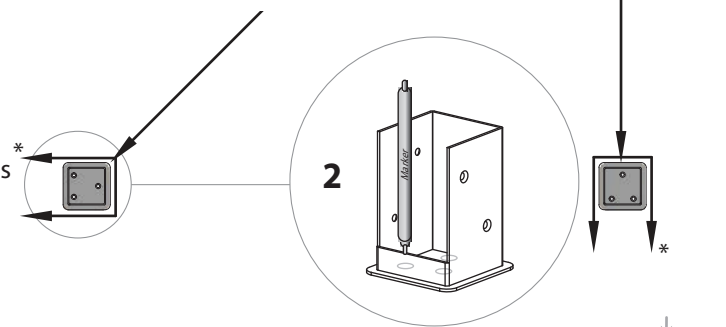
Some 4x4 pressure treated wood posts can be larger than 3 1/2 x 3 1/2 square due to twisting or cracking. We have allowed a tolerance for this in the post brackets and the internal one way and two way 4x4 wood post guides. However in extreme cases, you may need to shave down the end of your 4x4 wood post slightly to allow access.



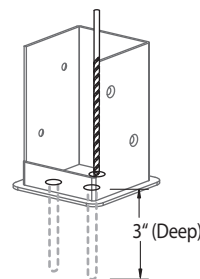
* Orientate brackets accordingly to reduce offset motion of posts. (direction of arrows denote flange opening)

190 in (482.7 cm)
From corner of bracket
(Bottom of flange)
to corner of bracket

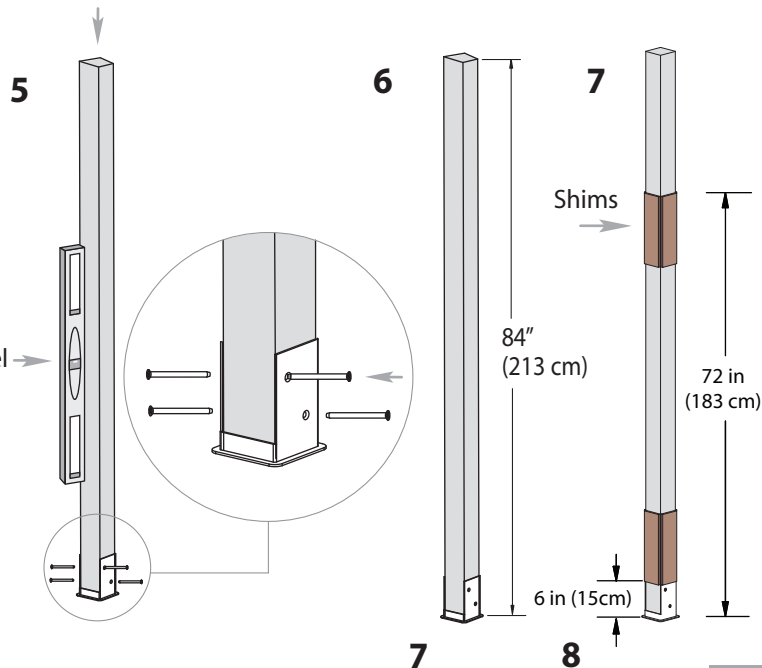
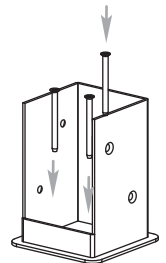
134 3/8 in
341.3 cm



3



4



STEP THREE

Vinyl Column Assembly & Installation Over Wood Posts

1

Using the vinyl weld glue, insert the One Way 4"x4" Internal Wood Post Guide in the one end of the main column posts. This step is only applicable if your wood 4x4 post are embedded into the ground. If your pergola is going to be installed on wood or concrete surface, please dispose of these four pieces.

2

Using a step ladder, guide the bottom vinyl columns over the wood 4x4 posts.

2a

If you purchased base moldings or trims, slide the molding over the post.

3

Using a step ladder guide the top vinyl columns over the wood 4x4 posts.

Please Note:

Ensure that holes at top of column are orientated correctly for future beam and rafter placement. See diagram at top of next page.

4

Connect the bottom and top vinyl column by using vinyl weld and sliding together. **Please Note:** Vinyl Weld Glue has about a sixty second cure time and about a 20 minute dry time.

5

Slide the bottom post trim into position to cover the joint on the column.

6

Slide the top post trim into approximate position just below the bottom routed hole on the bottom of the top vinyl column assembly.

7

If necessary, adjust post heights accordingly to ensure future level installation of beams and rafters as necessary. If slope is severe causing a height difference between the posts, you may need to trim down the bottom of two or more of your vinyl columns as necessary.

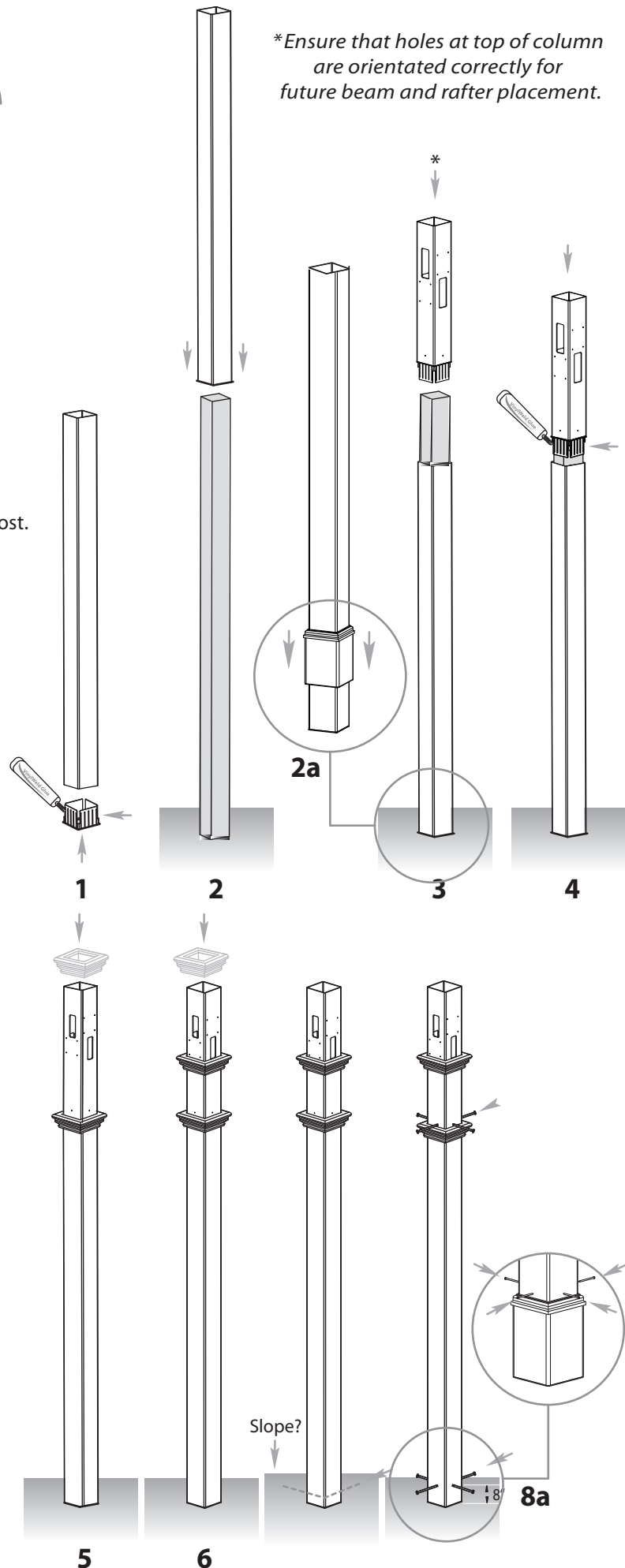
8

Secure the vinyl columns to the wood posts using 4 - 2 1/2" (64mm) self-auguring stainless steel screws at 8" (20.3cm) up from the base of the posts, and 4 - 2 1/2" (64mm) self-auguring stainless steel screws just above the trim cap as illustrated. This will prevent possible uplift during high winds, etc.

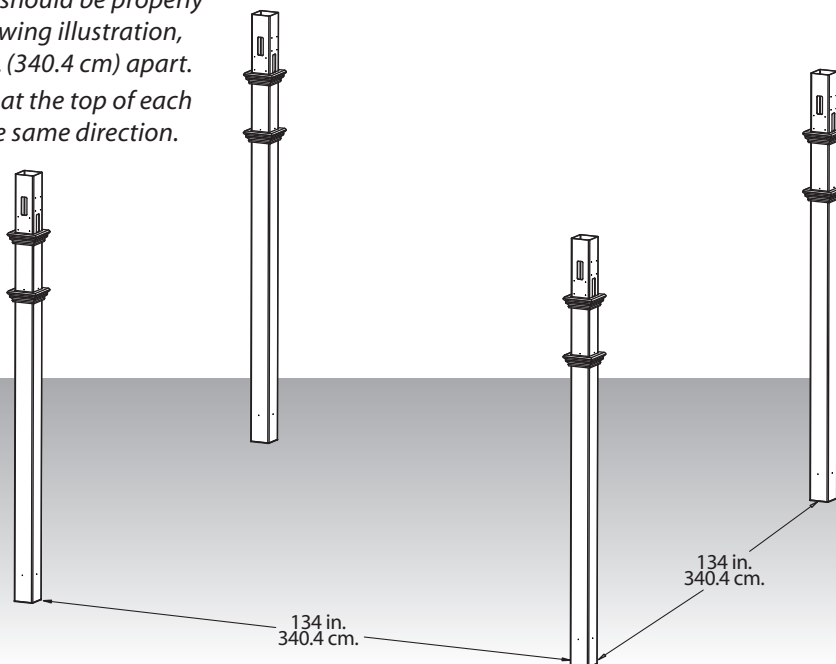
8a

If base moldings are installed, place screws above the base moldings.

*Ensure that holes at top of column are orientated correctly for future beam and rafter placement.



At this stage, the columns should be properly installed as per the following illustration, with the columns 134" in. (340.4 cm) apart. Also, notice that the holes at the top of each post should be facing the same direction.



STEP FOUR

Main Support Beam Assembly

1

Insert one 2x6x12 (5x15x365cm) pressure treated wood into a beam followed by the joiner and another beam section. Center the 2x6x12 (5x15x365cm) within the main support beam.

Critical Note:

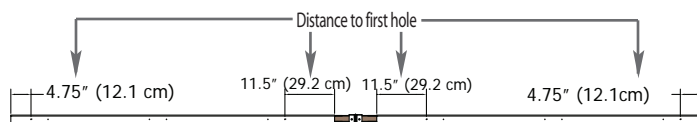
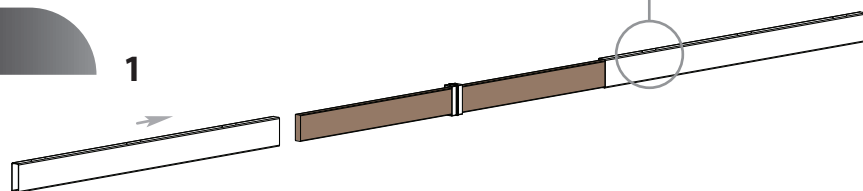
Note the location of the pre-drilled holes on the top edge of the main support beams. As pictured aside, the further distanced holes need to mate together inside the beam joiner. This is critical to ensure equal spacing of your rafters.

2

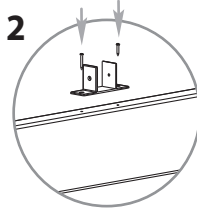
Install the rafter brackets to the main beams using 1 1/2" (38mm) screws. Only attach four brackets to the beam as shown. Follow the pre-drilled holes to identify locations.

3

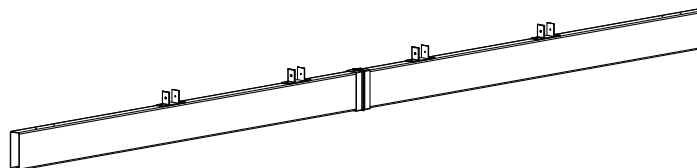
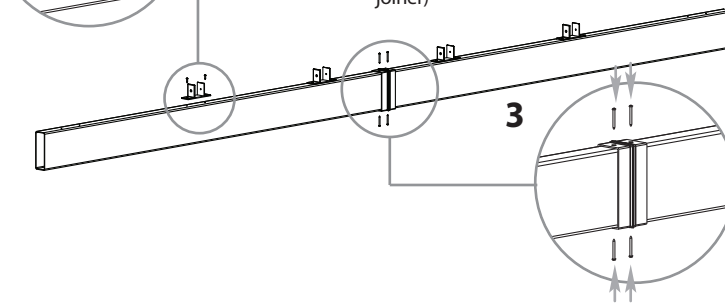
Screw the joiner to vinyl beams and wood insert using 1 1/2" (38mm) screws.



2



*Only attach four brackets to the beam. (two on each side of the joiner)



STEP FIVE

Rafter Assembly

1

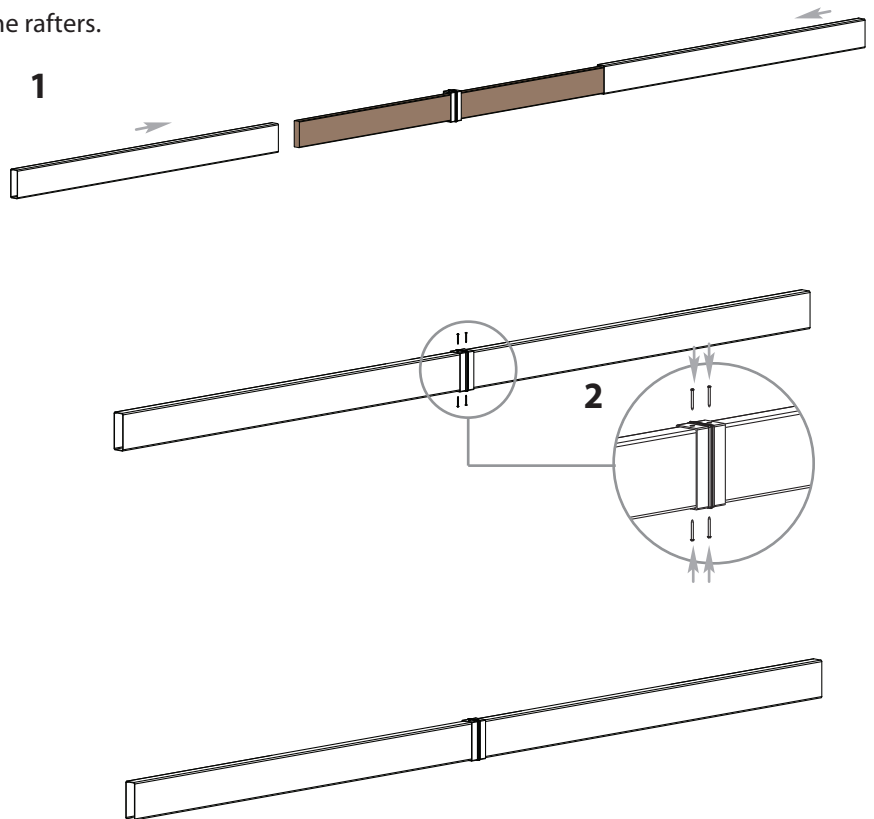
Insert one 2x6x12 (5x15x365cm) into a rafter section followed by the joiner and another rafter section.

2

Screw the joiner to vinyl rafters and wood insert using 1 1/2" (38mm) screws.

3

Repeat steps 1 and 2 for the remainder of the rafters.



STEP SIX

Main Support Beams & Rafters Placement

Using a helper and two ladders proceed to complete the following steps:

1

Slide the main support beam with rafter brackets pre-installed through both holes of the vinyl column (overshooting), and then back through both holes of the opposite column. Repeat for opposite main support beam.

Please Note:

The top of the vinyl columns may need to be tensioned in opposite directions to each other to allow the main support beams and rafters to be installed on a slight angle. The vinyl columns naturally allow some measure of flex.

2

Slide the two outer rafters through both holes of the vinyl column and through both holes of the opposite column.

3

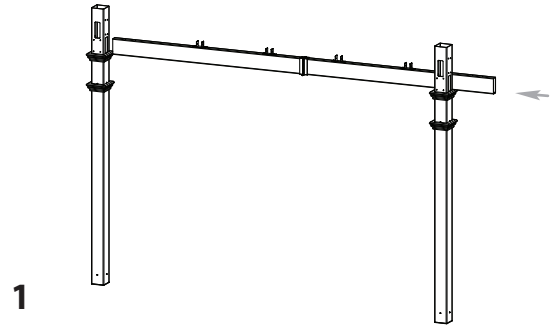
As necessary, adjust the main support beams and rafters ensuring the overhang past the columns is equal to the eye. Using 4" (102mm) screws lock the main support beams and rafters into position inside the posts by driving in 8 screws from the outside and 8 screws from the inside of each column.

4

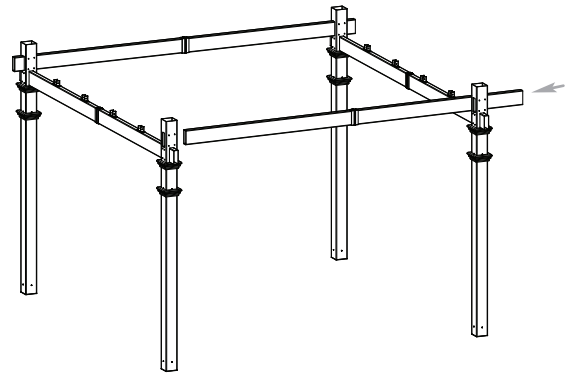
Place the remaining rafters in the front and rear rafter brackets.

5

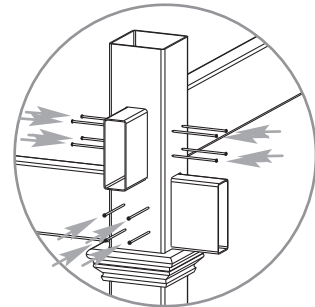
Complete a final adjustment of all remaining rafters. All spacing and overhangs past columns should be equal to the eye.



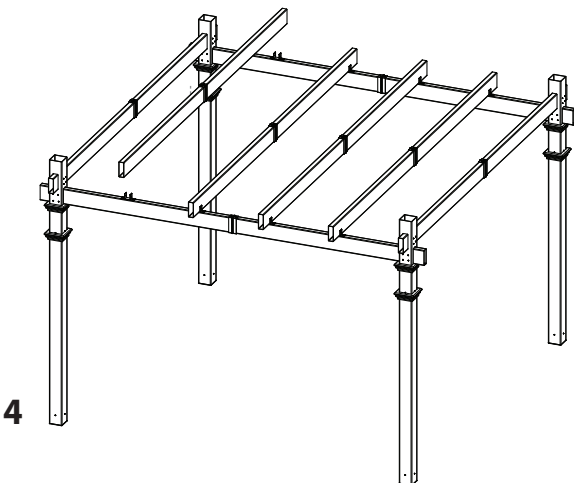
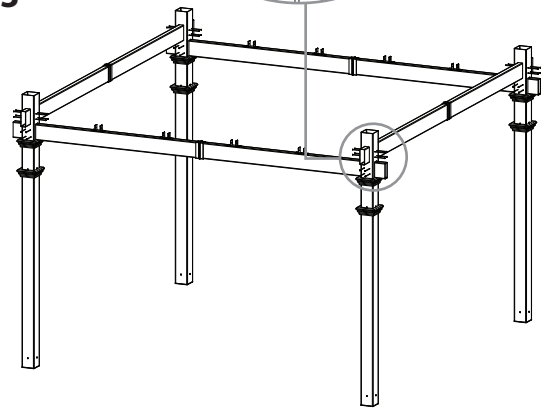
1



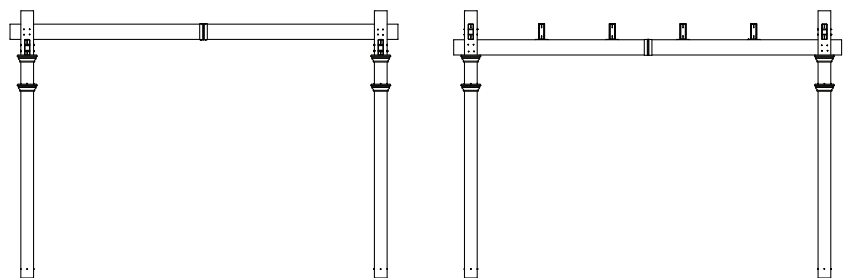
2



3



4



STEP SEVEN

Fastening Rafters & Caps

1

Using 1 1/2" (38mm) self-auguring stainless steel screws attach the pergola rafters to the rafter brackets.

2

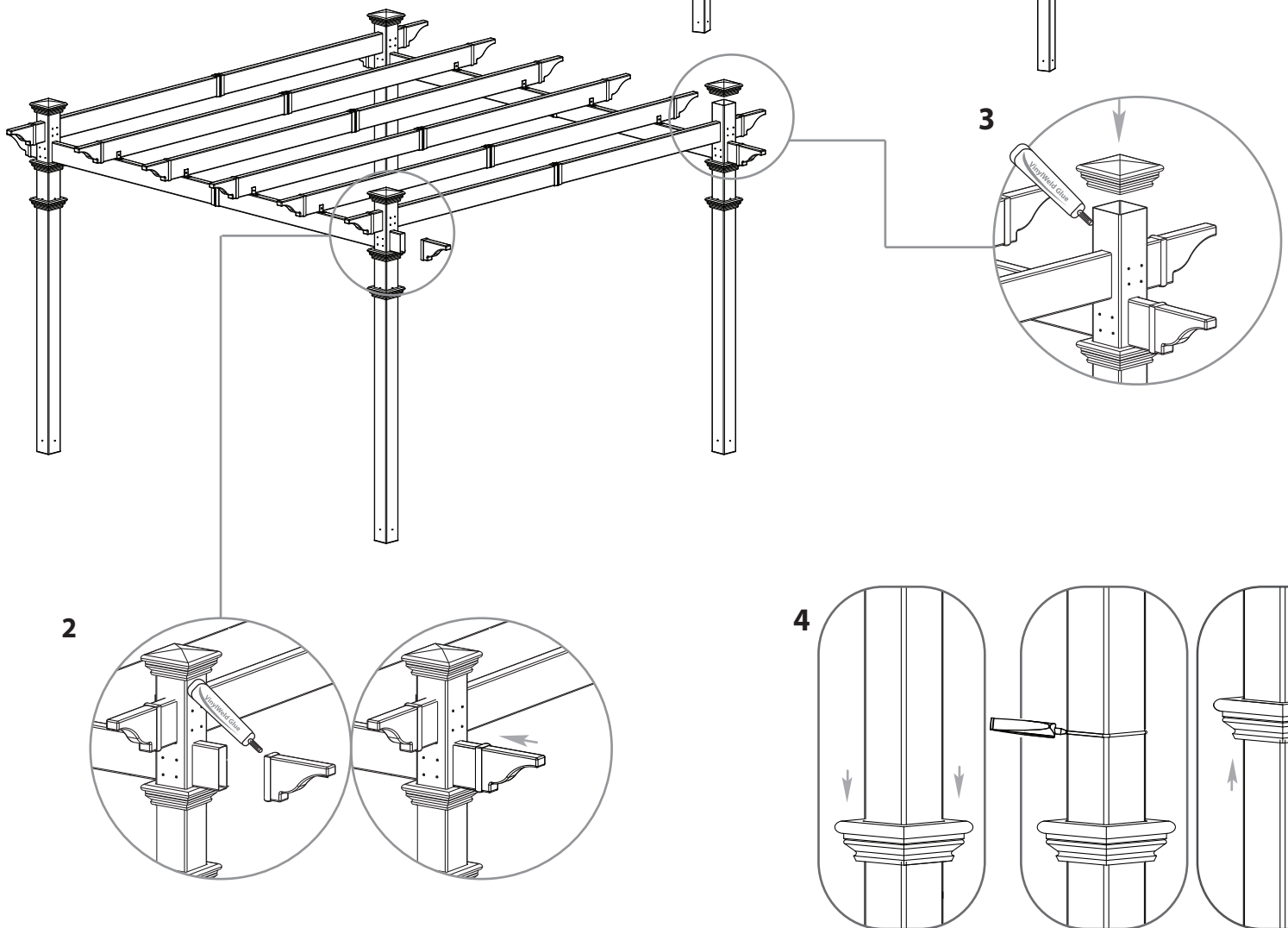
Install decorative pergola end caps using vinyl weld.

3

Install the post caps using vinyl weld.

4

Final position your post trims.



2

To glue pergola end in place:

1. Apply a generous amount of vinyl glue to the pergola end as shown.
2. Slide the pergola end into the beam/rafter and allow a few minutes for glue to cure.

To position post trim in place:

1. Slide the post trim down.
2. Apply a generous amount of vinyl glue around the post.
3. Slide the post trim back up to the desired location and allow a few minutes for glue to cure.

STEP EIGHT

Shade Slat Assembly

1

Assemble shade slats by first gluing the decorative end caps as shown, and then inserting the two slats into one joiner. Push firmly until extrusion bottoms out inside joiner. **No screws are necessary.**

Shade Slats Installation

The 1 1/2 x 1 1/2 shade slats are designed to be installed with 8 11/16" (22.1 cm) spacing between each slat.

Shade slats are designed to extend approximately 8 1/4" (21 cm) past the last rafter. Measurement includes the pre-installed pergola end caps. Your goal is to ensure that all the shade slats overhang equally to the eye.

2

Install first shade slat adjacent to the top of the vinyl columns.

3

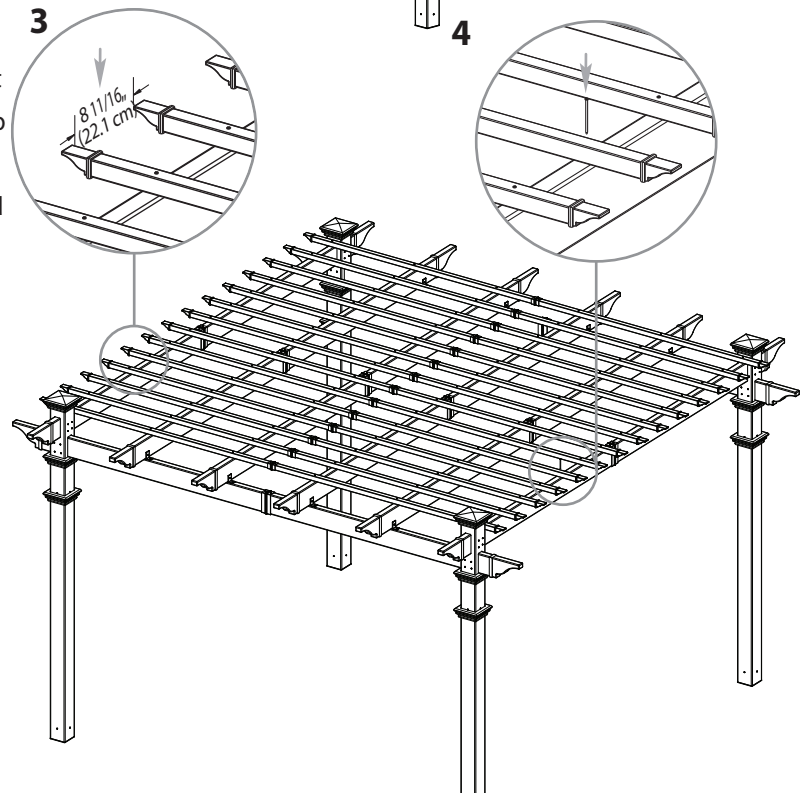
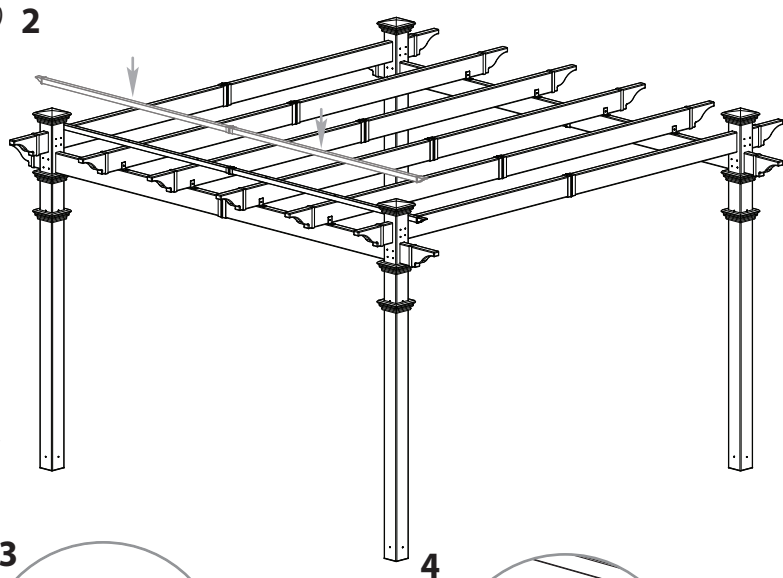
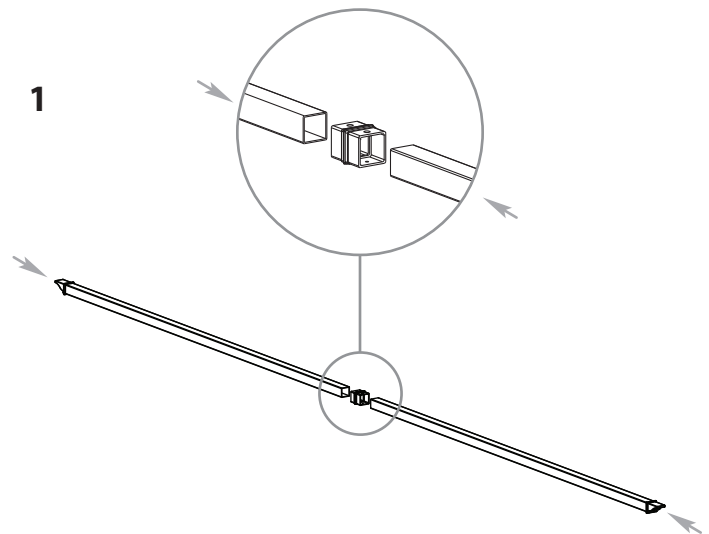
Install the rest of the shade slats at the 8 11/16" (22.1 cm) spacing.

4

Install one 3" (76mm) screw at each intersection of rafter and shade slat.

Suggestions for Additional Shade as Necessary

- White resin lattice in variety of shapes and sizes are available at your local lumberyard. Cut to size and fasten directly to the top of shade slats using stainless steel screws.
- In areas of extreme snow or wind load, do not use tight diamond privacy lattice.



STEP ONE

Trellis Assembly

1

One by one, insert the five vertical spindles through the routed holes on the five horizontal spindles as shown.

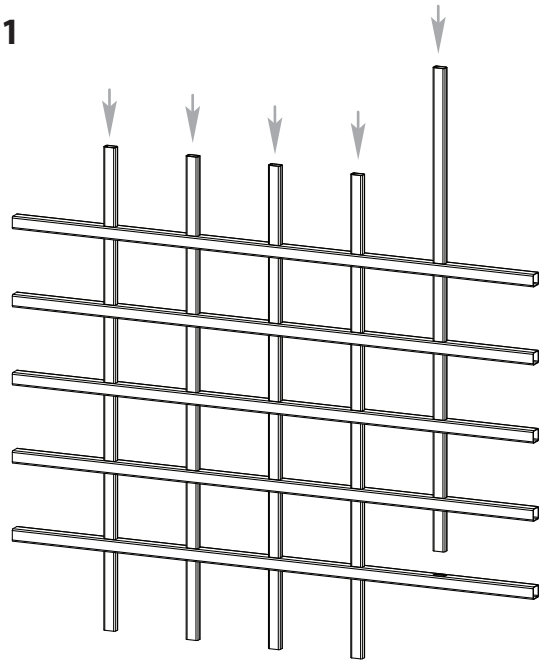
2

Insert the top and bottom rails onto the trellis assembly as shown.

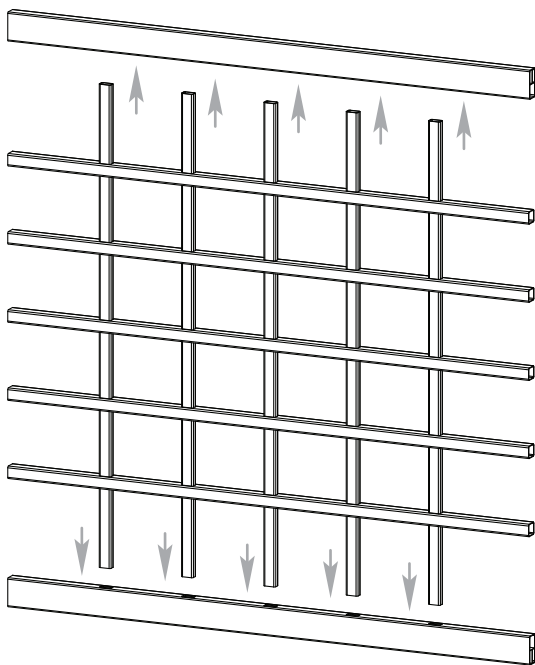
3

Repeat for second trellis assembly.

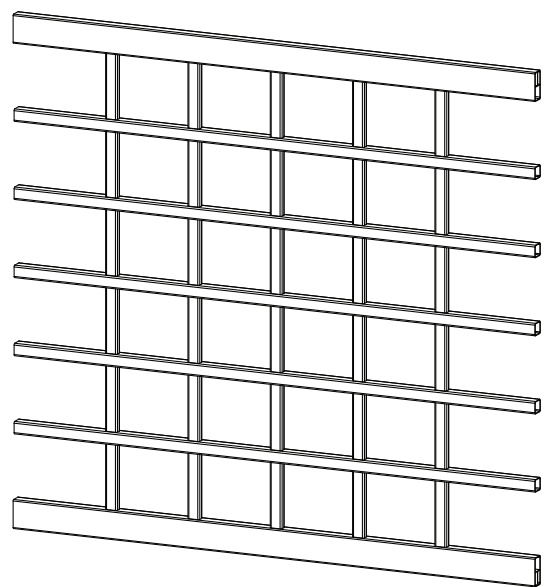
1



2



3



STEP TWO

Pergola Trellis Post Assembly

1

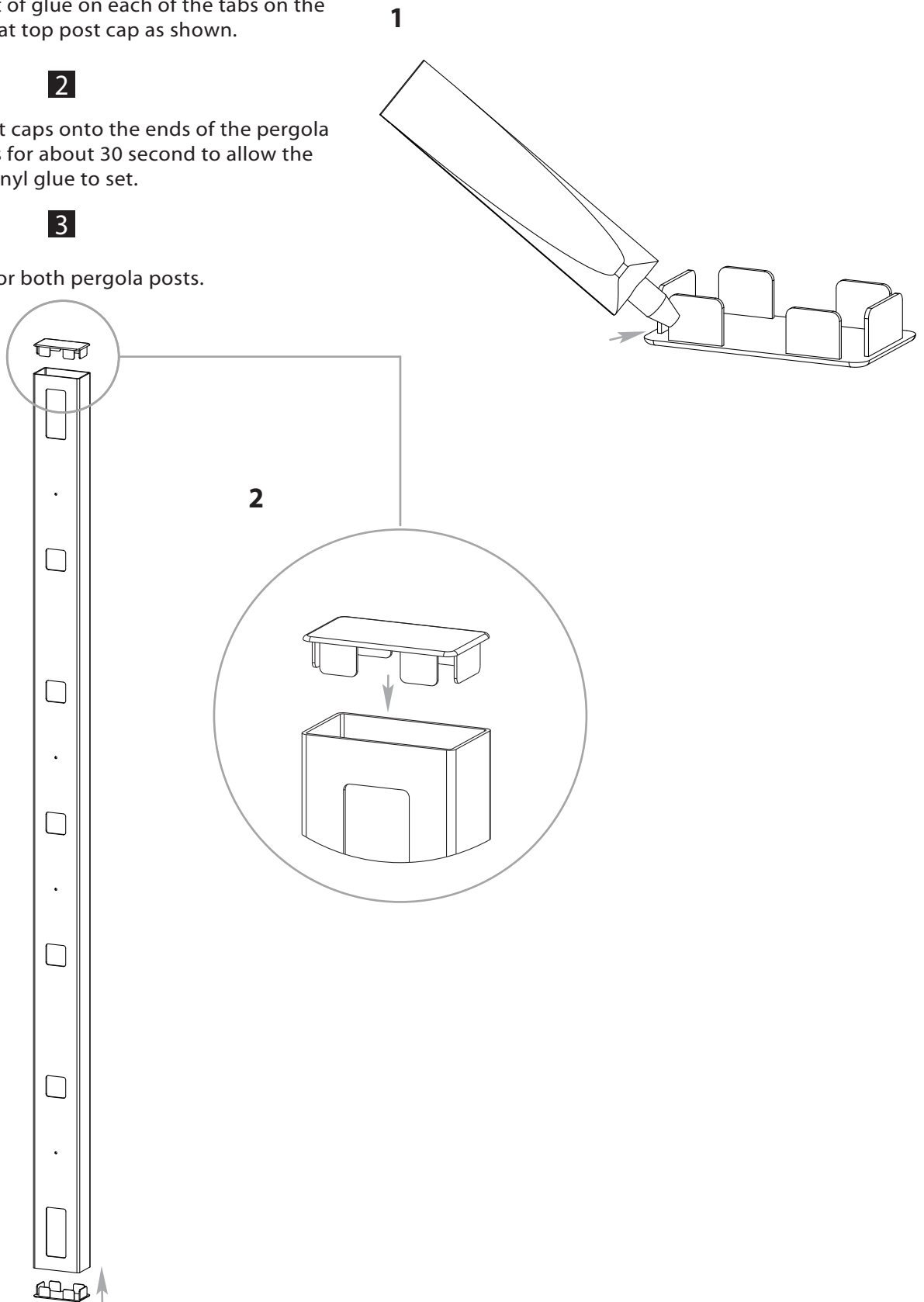
Apply a small amount of glue on each of the tabs on the 2" x 3 1/2" flat top post cap as shown.

2

Install the flat top post caps onto the ends of the pergola post as shown. Press for about 30 second to allow the vinyl glue to set.

3

Repeat for both pergola posts.



STEP THREE

Pergola Trellis Assembly

1

Lay one of the trellis assemblies on the floor and insert the trellis assembly into the pergola post through the routed holes as shown. Make sure all the horizontal spindles and rails are bottomed out inside the pergola post.

2

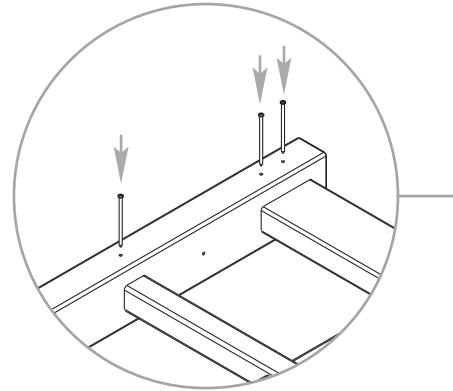
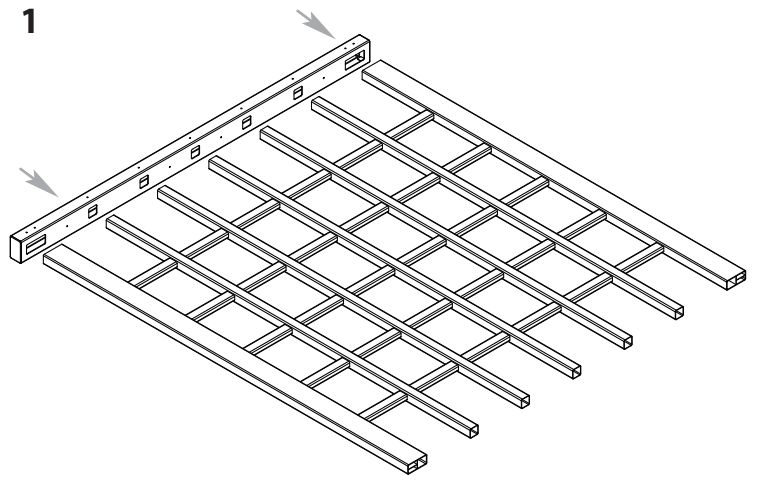
Fasten the pergola post to the horizontal spindles and rails using nine, 3 in. screws as shown. Repeat the two steps above for second wall half.

3

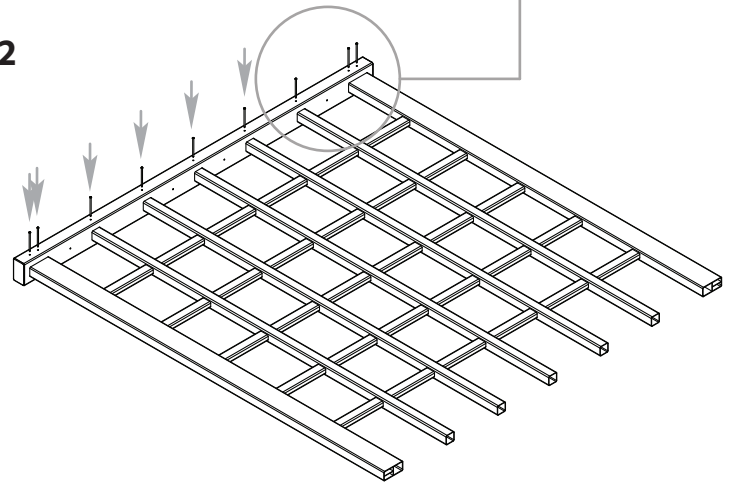
Insert the rail inserts into the cavity in the top and bottom rails as shown. Insert until the rail bottoms out on the vertical spindle.

4

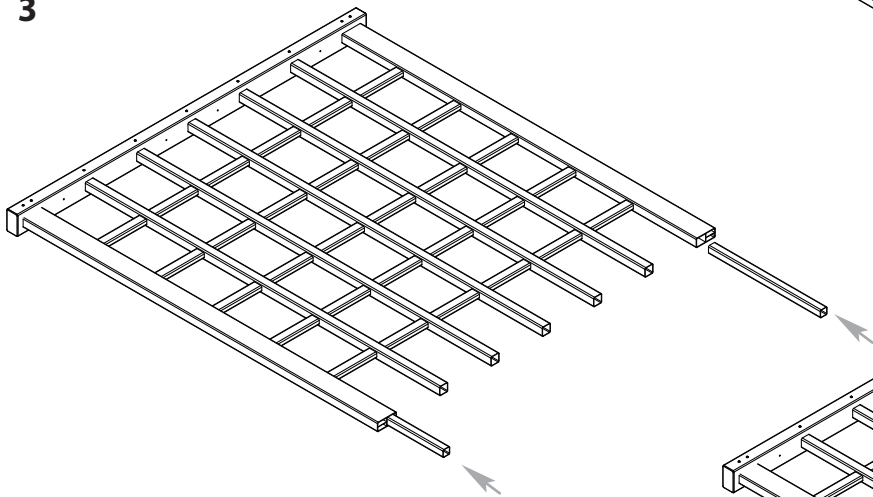
Insert the assembly through the centre post as shown. Note the locations of the pre-drilled holes. For aesthetics purposes, all the screws should be on the same side of the wall.



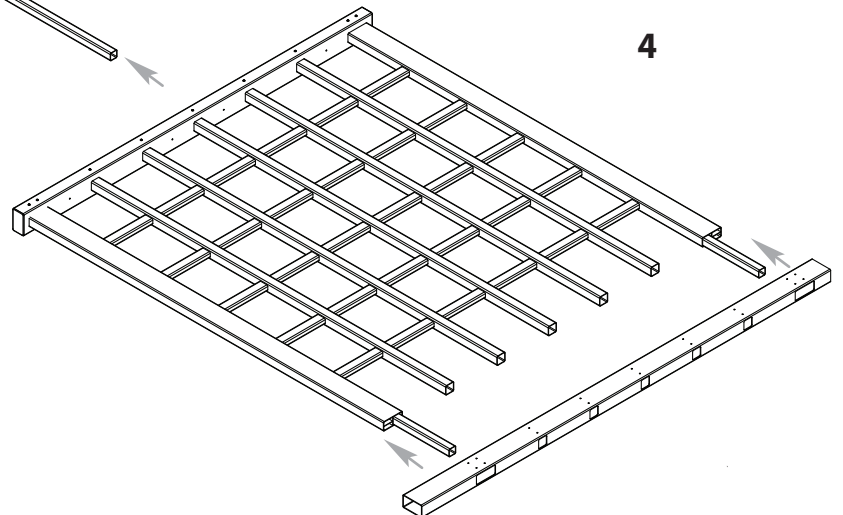
2



3



4



STEP THREE

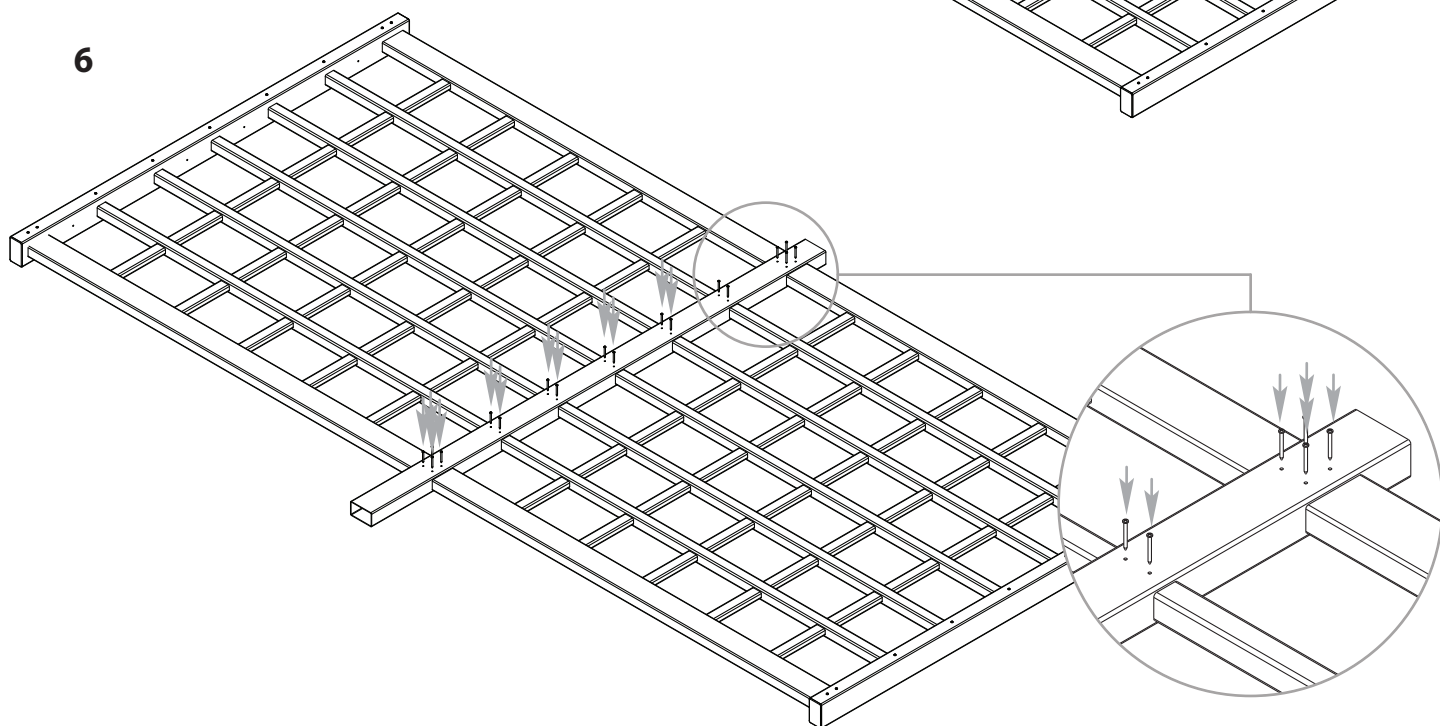
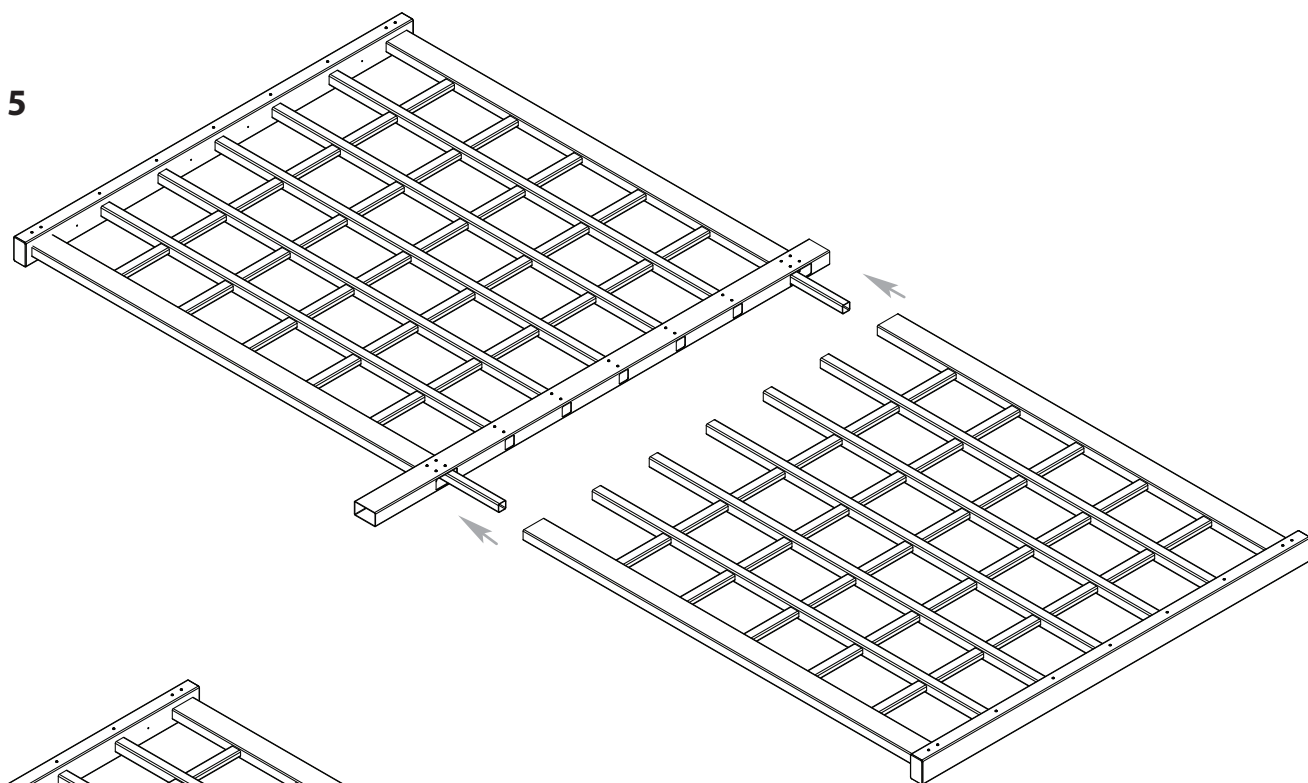
Pergola Trellis Assembly

5

Attach the second wall half to the wall assembly through the centre post and rail insert as shown. Make sure all the horizontal rails butt up against each other.

6

Fasten the assembly together using 18, 1 1/2 in. screws through the pre-drilled holes on the center post as shown. Again, make sure all the screws are on the same side of the wall.



STEP FOUR

Pergola Trellis Installation

1

With a helper, stand up and move the pergola trellis to its final location as shown. The pergola trellis should be centered on the pergola main columns.

2

Using a level, make sure the trellis post is plumb and fasten to the pergola main columns using four, 3 in screws per side.

3

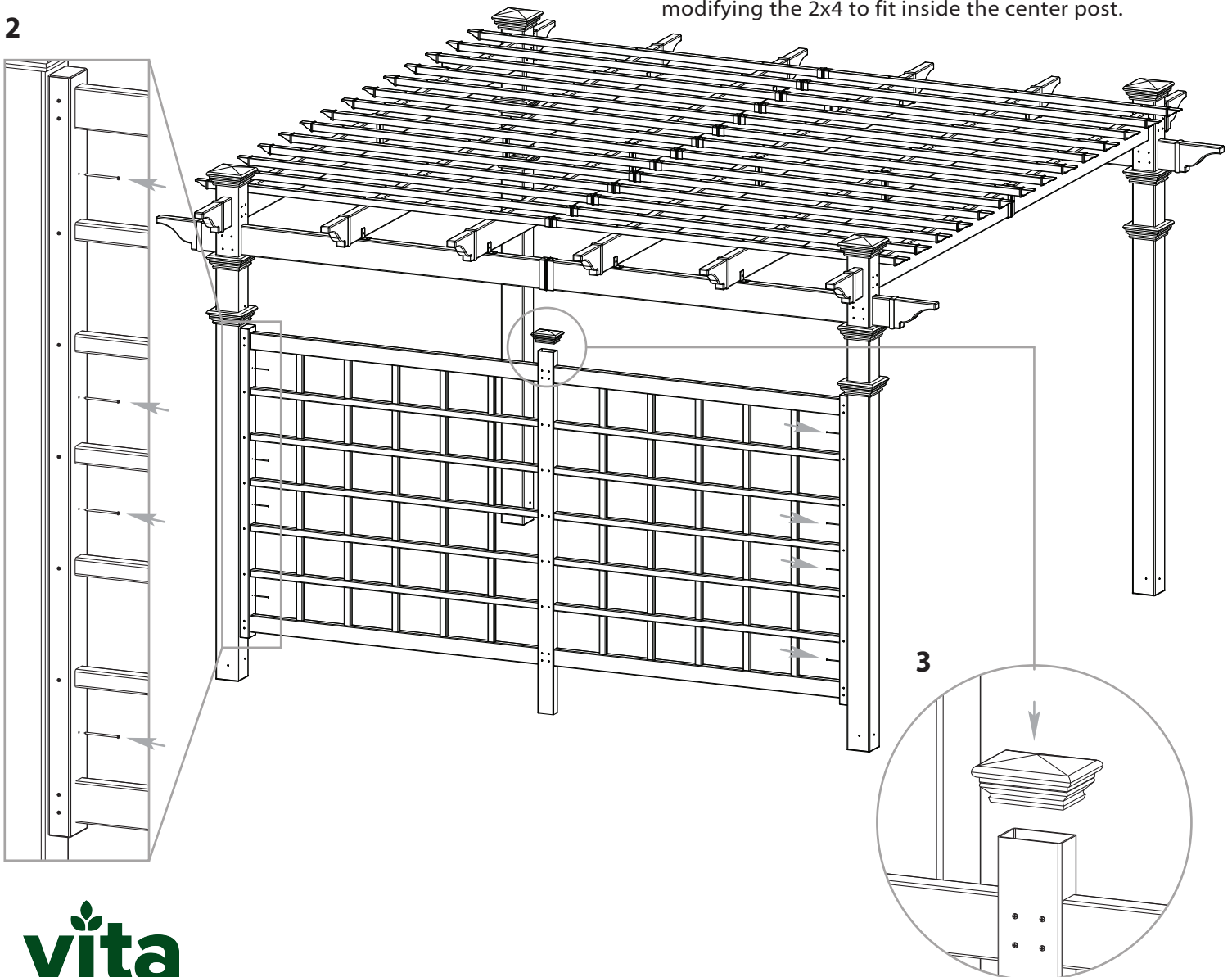
Attach the post cap onto the center post.

Note: The center post of the pergola trellis was designed to rest on top of the ground. If additional support is required, consider inserting a pressure treated 2x4 (cut to 3.25" wide) into the bottom of the center post (up to 10"). Secure it inside the center post with screws (2x4 wood and screws purchased separately).

The length of the modified 2x4 will vary, depending on one of the following:

- If the pergola trellis is being installed over ground, extend the length of the modified 2x4 into the ground at least 18".
- If the pergola trellis is being installed over an accessible deck, cut the modified 2x4 flush with the bottom of the center post. Secure it to the deck with wood screws from underneath the deck, through the deck boards, into the modified 2x4 (purchased separately).
- If the pergola trellis is being installed over a concrete patio, consider securing the modified 2x4 to the concrete with a galvanized steel "L" bracket (purchased separately). Be sure to factor in the thickness of the "L" bracket when modifying the 2x4 to fit inside the center post.

2



vita