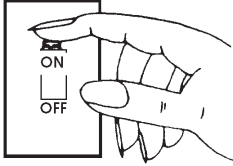


# INSTALLATION INSTRUCTIONS

READ IMPORTANT SAFETY TIPS BEFORE PROCEEDING WITH INSTALLATION

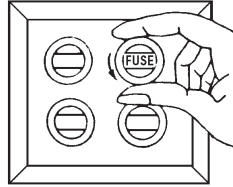
## SAFETY TIPS



Turn fixture off! (Place wall switch in off position, if fixture has built-in switch or chain pull, switch or pull chain so fixture is off.)

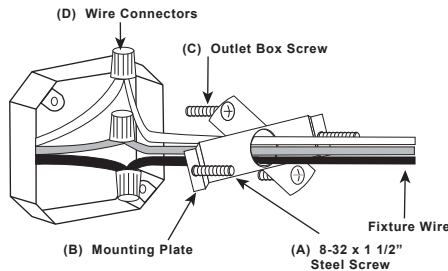


Next - go to the main fuse box. If your fuse box has an ON/OFF switch, simply place main power switch in OFF position.



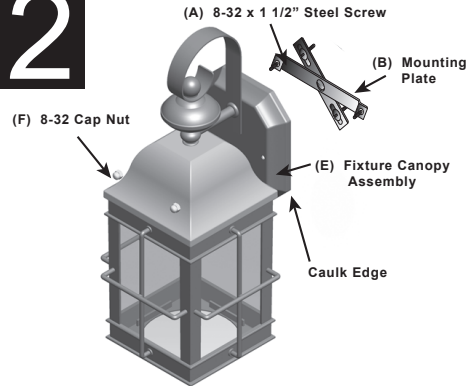
Screw-in type fuses - unscrew the fuse or fuses that control the power to the fixture or room you are working in.

# 1



Insert 8-32 x 1 1/2" steel screws (A) [provided] into mounting plate (B). Attach mounting plate to the outlet box, with screw threads facing outward, using the outlet box screws (C) [provided]. Connect the wires from the outlet box and fixture. Attach black fixture wire to black supply wire, white fixture wire to white supply wire and bare or green ground fixture wire to green ground supply wire using wire connectors (D).

# 2

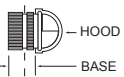


Align mounting holes in the Fixture Canopy Assembly (E) with the 8-32 x 1 1/2" steel screws (A) in the mounting plate, position fixture over outlet box and hold the fixture against the mounting wall. Secure fixture to the wall by tightening the two cap nuts (F) onto the 8-32 screws. Tighten by using pliers to properly secure the fixture. Once tightened against the wall, the edge between the Fixture Canopy Assembly and wall should be caulked with an acrylic caulk (not supplied) to provide a water tight seal.

Screw bulb into socket. Be sure to use bulb type and wattage specified on fixture.



CLEAN ONLY WITH MILD SOAP AND WATER. AVOID SPRAYING WITH CLEANSERS, INSECTICIDES, AND PESTICIDES THAT ARE PETROLEUM BASED HYDROCARBON PRODUCTS. THESE WILL DEGRADE LUMINAIRE.



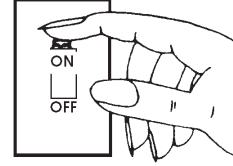
This fixture may have an integral photo sensor that turns the fixture off during the day and on at night. The photo sensor is not adjustable. The fixture could possibly cycle on and off due to light reflected from nearby surfaces into the photo sensor. If cycling occurs, remove the photo sensor nut and install the swivel hood and base.

The hood and base are adjustable. The hood can be rotated and the base can be cut along the dotted line to reduce overall length. Check operation before cutting the base.

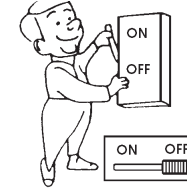
# INSTALLATION INSTRUCTIONS

READ IMPORTANT SAFETY TIPS BEFORE PROCEEDING WITH INSTALLATION

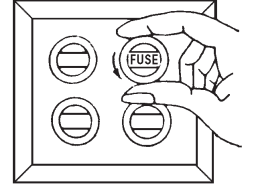
## SAFETY TIPS



Turn fixture off! (Place wall switch in off position, if fixture has built-in switch or chain pull, switch or pull chain so fixture is off.)

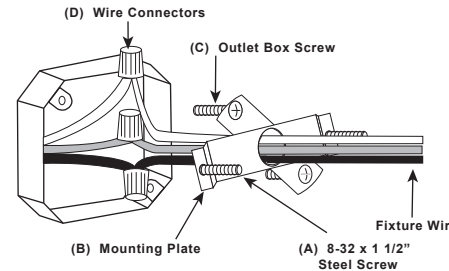


Next - go to the main fuse box. If your fuse box has an ON/OFF switch, simply place main power switch in OFF position.



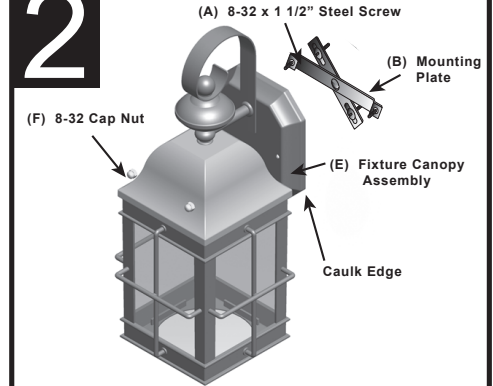
Screw-in type fuses - unscrew the fuse or fuses that control the power to the fixture or room you are working in.

# 1



Insert 8-32 x 1 1/2" steel screws (A) [provided] into mounting plate (B). Attach mounting plate to the outlet box, with screw threads facing outward, using the outlet box screws (C) [provided]. Connect the wires from the outlet box and fixture. Attach black fixture wire to black supply wire, white fixture wire to white supply wire and bare or green ground fixture wire to green ground supply wire using wire connectors (D).

# 2

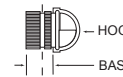


Align mounting holes in the Fixture Canopy Assembly (E) with the 8-32 x 1 1/2" steel screws (A) in the mounting plate, position fixture over outlet box and hold the fixture against the mounting wall. Secure fixture to the wall by tightening the two cap nuts (F) onto the 8-32 screws. Tighten by using pliers to properly secure the fixture. Once tightened against the wall, the edge between the Fixture Canopy Assembly and wall should be caulked with an acrylic caulk (not supplied) to provide a water tight seal.

Screw bulb into socket. Be sure to use bulb type and wattage specified on fixture.



CLEAN ONLY WITH MILD SOAP AND WATER. AVOID SPRAYING WITH CLEANSERS, INSECTICIDES, AND PESTICIDES THAT ARE PETROLEUM BASED HYDROCARBON PRODUCTS. THESE WILL DEGRADE LUMINAIRE.



This fixture may have an integral photo sensor that turns the fixture off during the day and on at night. The photo sensor is not adjustable. The fixture could possibly cycle on and off due to light reflected from nearby surfaces into the photo sensor. If cycling occurs, remove the photo sensor nut and install the swivel hood and base.

The hood and base are adjustable. The hood can be rotated and the base can be cut along the dotted line to reduce overall length. Check operation before cutting the base.