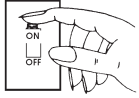


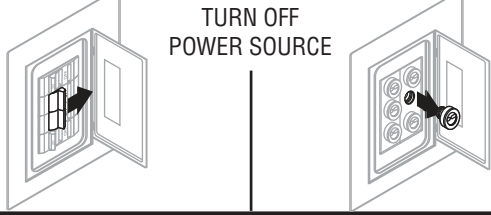
INSTALLATION INSTRUCTIONS

READ IMPORTANT SAFETY TIPS BEFORE PROCEEDING WITH INSTALLATION

SAFETY TIPS



Place wall switch in off position, if fixture has built-in switch or chain pull, switch or pull chain so fixture is off.



TURN OFF
POWER SOURCE

1 PROVIDED MOUNTING HARDWARE



1 CROSS BAR



1, 1 3/8 NIPPLE

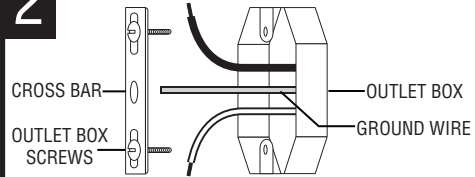


1 THUMB NUT



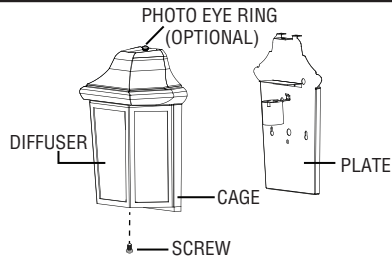
3, WIRE NUTS

2



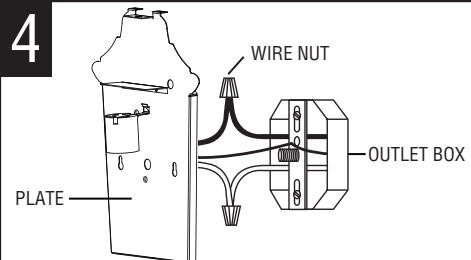
Attach cross bar to outlet box with outlet box screws (8-32 x 1/2"). Screws NOT provided.

3



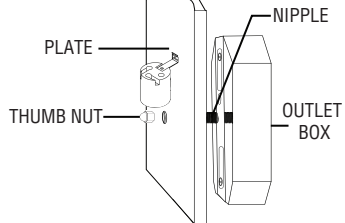
Remove cage and diffuser from plate by loosening screw at bottom. If the photo eye is installed, unscrew nylon ring from photo eye stem. Tilt cover out and lift to release from back pan.

4



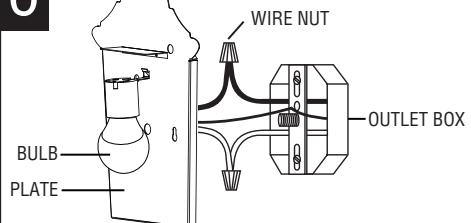
CONNECT THE WIRES. NOTE: Attach black fixture wire to black supply wire, white fixture wire to white supply wire. Do not mix up. Attach fixture ground wire to ground wire from outlet box. Use provided wire nuts.

5



Position the fixture over the nipple and secure in place with thumb nut.

6

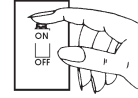


Screw light bulb into socket. Be sure to use bulb with wattage no greater than specified for fixture.

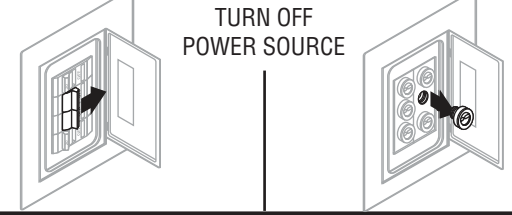
INSTALLATION INSTRUCTIONS

READ IMPORTANT SAFETY TIPS BEFORE PROCEEDING WITH INSTALLATION

SAFETY TIPS



Place wall switch in off position, if fixture has built-in switch or chain pull, switch or pull chain so fixture is off.



TURN OFF
POWER SOURCE

1 PROVIDED MOUNTING HARDWARE



1 CROSS BAR



1, 1 3/8 NIPPLE

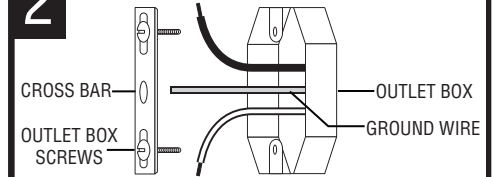


1 THUMB NUT



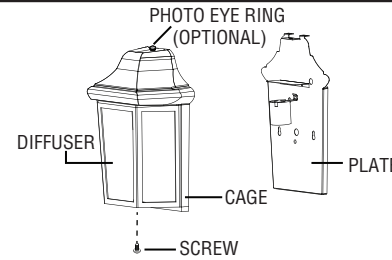
3, WIRE NUTS

2



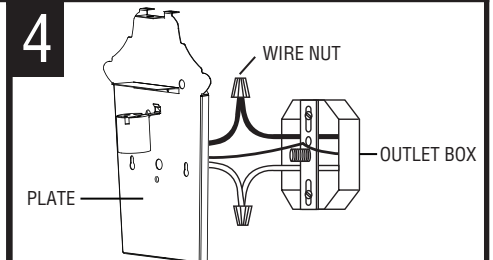
Attach cross bar to outlet box with outlet box screws (8-32 x 1/2"). Screws NOT provided.

3



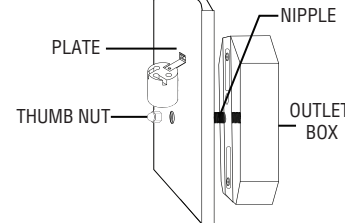
Remove cage and diffuser from plate by loosening screw at bottom. If the photo eye is installed, unscrew nylon ring from photo eye stem. Tilt cover out and lift to release from back pan.

4



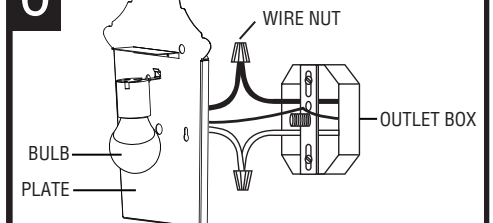
CONNECT THE WIRES. NOTE: Attach black fixture wire to black supply wire, white fixture wire to white supply wire. Do not mix up. Attach fixture ground wire to ground wire from outlet box. Use provided wire nuts.

5

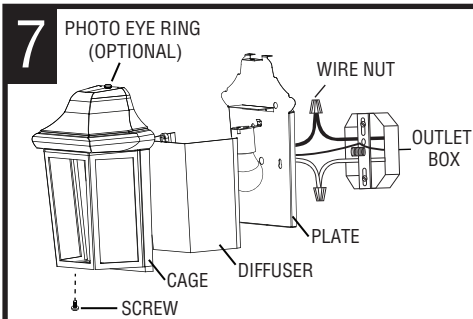


Position the fixture over the nipple and secure in place with thumb nut.

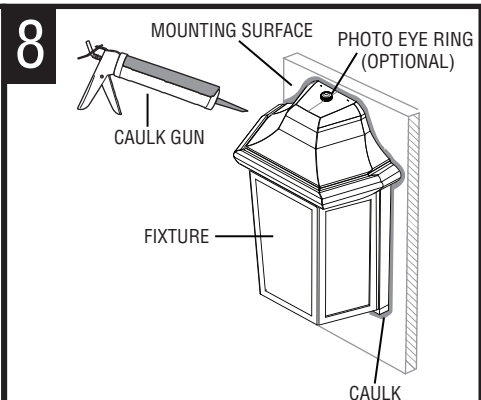
6



Screw light bulb into socket. Be sure to use bulb with wattage no greater than specified for fixture.



Attach diffuser and lens to plate. If photo eye is included, install cage by aligning top hole with photo eye sensor stem. Tilt cage over photo control and tilt cover back against wall. The cage will fit against wall and bottom screw will align. Install bottom screw into metal pan. Screw photo eye nylon ring on to photo eye sensor.

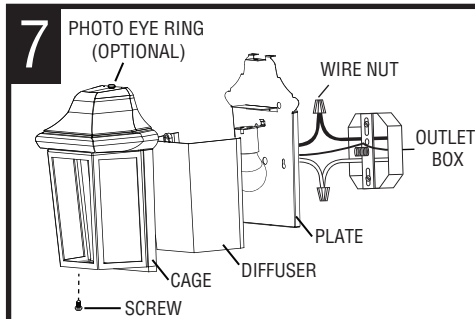


Caulk fixture with acrylic caulk where fixture meets mounting surface to provide a watertight seal.

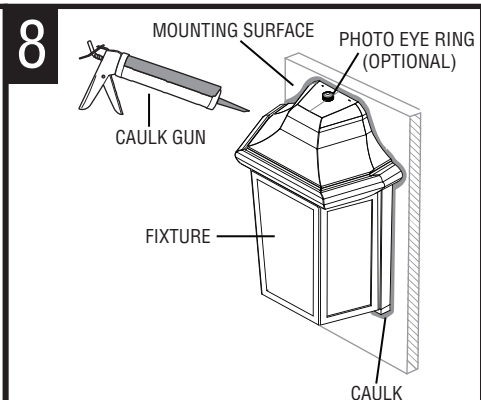
This fixture may have an integral photo sensor that turns the fixture off during the day and on at night. The photo sensor is not adjustable. The fixture could possibly cycle on and off due to light reflected from nearby surfaces into the photo sensor. If cycling occurs, remove the photo sensor nut and install the swivel hood and base. The hood and base are adjustable. The hood can be rotated and the base can be cut along the dotted line to reduce overall length. Check operation before cutting the base.



CLEAN ONLY WITH MILD SOAP AND WATER. AVOID SPRAYING WITH CLEANSERS, INSECTICIDES, AND PESTICIDES THAT ARE PETROLEUM BASED HYDROCARBON PRODUCTS. THESE WILL DEGRADE FIXTURE. IFP161INC



Attach diffuser and lens to plate. If photo eye is included, install cage by aligning top hole with photo eye sensor stem. Tilt cage over photo control and tilt cover back against wall. The cage will fit against wall and bottom screw will align. Install bottom screw into metal pan. Screw photo eye nylon ring on to photo eye sensor.



Caulk fixture with acrylic caulk where fixture meets mounting surface to provide a watertight seal.

This fixture may have an integral photo sensor that turns the fixture off during the day and on at night. The photo sensor is not adjustable. The fixture could possibly cycle on and off due to light reflected from nearby surfaces into the photo sensor. If cycling occurs, remove the photo sensor nut and install the swivel hood and base. The hood and base are adjustable. The hood can be rotated and the base can be cut along the dotted line to reduce overall length. Check operation before cutting the base.



CLEAN ONLY WITH MILD SOAP AND WATER. AVOID SPRAYING WITH CLEANSERS, INSECTICIDES, AND PESTICIDES THAT ARE PETROLEUM BASED HYDROCARBON PRODUCTS. THESE WILL DEGRADE FIXTURE. IFP161INC