

FILL-RITE®

FR700V SERIES FUEL TRANSFER PUMPS

Installation and Operation Manual



Table of Contents

Warranty Policy2

Safety Information.....3

Installation.....3

Anti-Siphon Device.....5

Electrical Wiring.....6

Wiring Procedure.....6

Operating Instructions.....7

Safety Testing Approvals.....7

Padlocking7

Fluid Compatibility7

Technical Information / Specifications.....7

Accessories8

Troubleshooting.....8

Replacement Parts Information.....10

FR700V / FR701V / FR710V / FR711V Parts List.....11

FR700VE Model information.....12

Thank You!

Thank you for your loyalty to the Fill-Rite® brand of fuel transfer pumps. Your safety is important, so please read and thoroughly understand the procedures set forth in this manual. In addition, please save these instructions for future reference and record the model, serial number, and purchase date of your fuel transfer pump. Protect yourself as well as those around you by observing all safety instructions and adhering to all danger, warning, and caution symbols. Please register your Fill-Rite® product via info.tuthill.com/product_registration.

IMPORTANT RETURN POLICY

Please do not return this product to the store. For all warranty and product questions, please contact Tuthill Customer Service at 1-800-634-2695 (M-F, 8am – 6pm EST/EDT).

MODEL#	
SERIAL#	
PURCHASE DATE:	



Limited Warranty Policy

Tuthill Fort Wayne warrants the goods manufactured shall be free from defects of materials and workmanship. Specific warranty details for individual products can be found at fillrite.com.

About This Manual

From initial concept and design through its final production, your Fill-Rite pump is built to give you years of trouble free use. To ensure it provides that service, **it is critical that you read this entire manual prior to attempting to install or operate your new pump.** Become familiar with the terms and diagrams, and pay close attention to the highlighted areas with the following labels:



WARNING! Emphasizes an area in which personal injury or even death **may** result from failure to follow instructions properly. Mechanical damage may also occur.



CAUTION! Failure to observe a “Caution” may cause damage to the equipment.

IMPORTANT! These boxes contain information that illustrates a point that may save time, or be key to proper operation, or clarifies a step.

At Tuthill, your satisfaction with our products is paramount to us. If you have questions or need assistance with your product, please contact us at 1-800-634-2695 (M-F 8 AM–6 PM ET).

Safety Information



WARNING! Electrical wiring should be performed **ONLY** by a licensed electrician in compliance with local, state, and national electrical code NEC/ANSI/NFPA 70, NFPA30, and NFPA 30A, as appropriate to the intended use of the pump. Threaded rigid conduit, sealed fittings, and conductor seal should be used. The pump must be properly grounded. Improper installation or use of this pump can result in serious bodily injury, or death!

1. NEVER smoke near the pump, or use the pump near open flames when pumping a flammable liquid! Fire can result!
2. A “Fill-Rite” Filter should be used on the pump outlet to insure no foreign material is transferred to the fuel tank.
3. Threaded pipe joints and connections should be sealed with the appropriate sealant or sealant tape to minimize the possibility of leaks.
4. Storage tanks should be securely anchored to prevent shifting or tipping when full or empty.
5. To minimize static electricity build up, use only static wire conductive hose when pumping flammable fluids, and keep the fill nozzle in contact with the container being filled during the filling process.
6. The pump motor is equipped with thermal overload protection; if overheated, the motor will shut off to prevent damage to the windings. If this happens, **TURN THE PUMP OFF!** When the motor cools, it will restart without warning if the power is on.



WARNING! This product should not be used to transfer fluids into any type of aircraft.



WARNING! This product is not suited for use with fluids intended for human consumption or fluids containing water.

Installation

The Fill-Rite FR700V Series pump is designed to offer several different mounting configurations. It can be mounted on a skid tank using the tank adapter supplied with the pump (see attached diagrams), or mounted on a concrete island using an optional pedestal adapter (available through your Fill-Rite distributor). Regardless of mounting style, all tanks must be properly vented.

The FR700V Series pump has a built in check valve to reduce unsafe excess pressure from thermal expansion of the fluid. It also features an integral bypass valve to help minimize wear when the pump is operating with the nozzle closed.

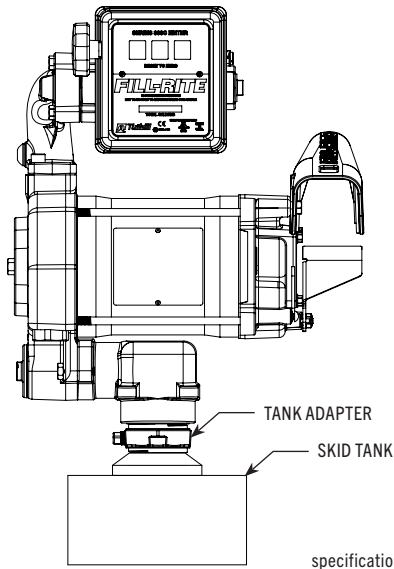


CAUTION! Do not use additional check valves or foot valves unless they have a proper pressure relief valve built into them. Note that additional check valves will reduce rate of flow.



CAUTION! Threaded pipe joints and connections should be sealed with the appropriate sealant or sealant tape to minimize the possibility of leaks.

SKID TANK INSTALLATION



Typical Skid Tank Installation

Materials

- 1/4" pipe cut to a length that will extend to within 3" of the bottom of the tank when screwed into the tank adapter with the tank adapter screwed into the tank flange (see SKID TANK INSTALLATION diagram).
- Threaded pipe joint sealant appropriate for application.
- Anti-seize thread compound.

Installation Procedure

1. Thread the 1/4" pipe into the tank adapter. Seal threads liquid tight with appropriate thread sealant.
2. Apply an anti-seize thread compound to the external threads on the bottom of the bung adapter. Screw the tank adapter into the tank flange.
3. Mount the pump on the adapter; seal threads liquid tight with appropriate thread sealant.
4. Fill-Rite recommends installation of an Anti-Siphon Device (see page 5 for detailed information).

Typical "Island" Installation

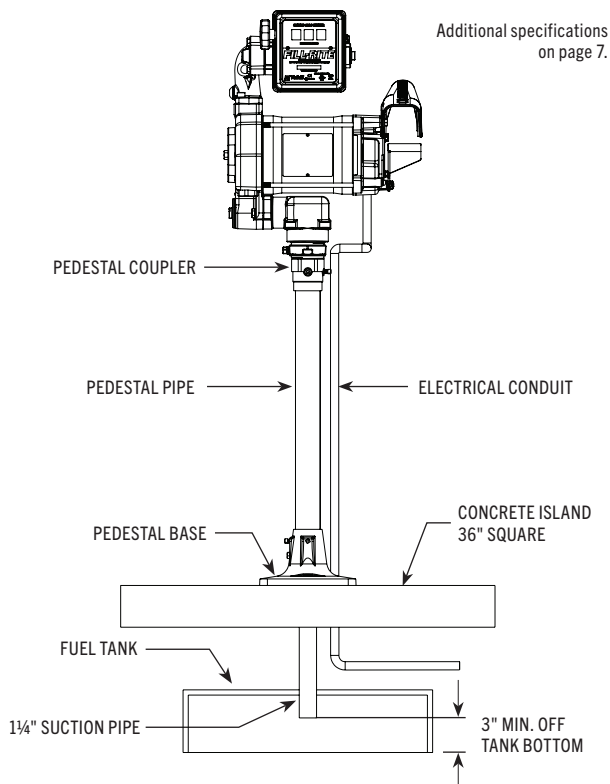
Materials

- 1/4" threaded suction pipe, cut to extend 32-1/2" above the island.
- FRPA125 Pedestal Kit (includes Pedestal Pipe, Base, & Coupler).
- Threaded pipe joint sealant appropriate for application.

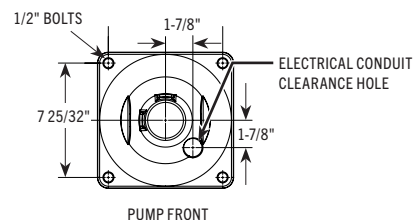
Installation Procedure

1. Remove the coupler from the pedestal pipe by loosening the set screws.
2. Slip the pedestal pipe / pump base assembly over the 1/4" suction pipe.
3. Loosen the screws in the pump base to allow the pedestal pipe to slide down exposing the end of the suction pipe.
4. Screw the coupler onto the suction pipe; seal threads liquid tight with appropriate thread sealant.
5. Slide the pedestal pipe into the coupler and tighten the set screws.
6. Tighten the screws in the pump base.
7. Mount the pump on the coupler seal threads liquid tight with appropriate thread sealant.

TYPICAL PEDESTAL / ISLAND INSTALLATION



LAYOUT OF BASE ANCHOR BOLTS





CAUTION! Threaded pipe joints and connections should be sealed with the appropriate sealant or sealant tape to minimize the possibility of leaks.

Anti-Siphon Device

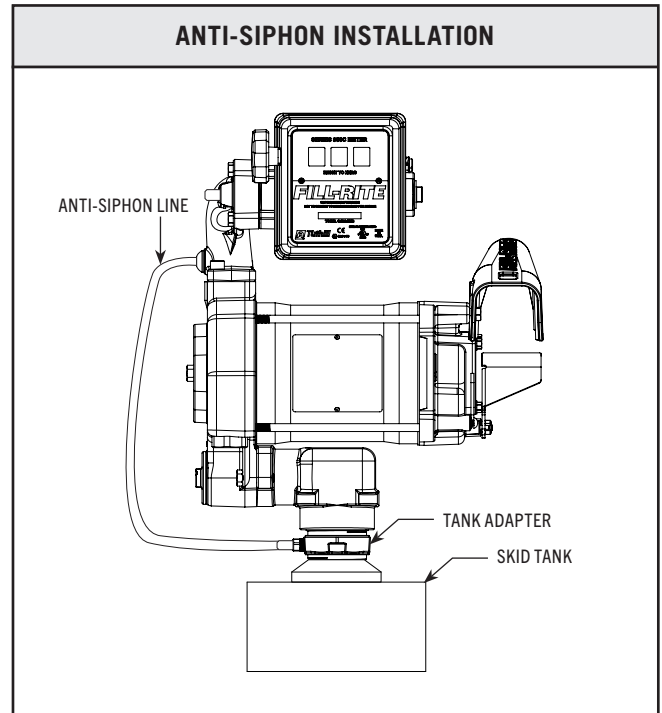
Your FR700V Series pump comes from the factory ready to install an anti-siphon tube back to the tank. An anti-siphon device (a.k.a. vacuum breaker) is important because it will break a liquid siphon if there is an open nozzle or a leaking hose below the fluid level in the tank when the pump is turned off. Fill-Rite recommends anti-siphon kit # KIT700AS be installed from the pump outlet back to the vapor space in the tank.

This illustration shows where to install the tube so that it terminates in the vapor space at the top of the tank. The tube must terminate in the vapor space; if it terminates below the fluid level in the tank, it will not prevent siphoning. It is very important there are no liquid traps in the tubing; it must have a continuous slope from the pump down to the tank, and can be connected into any opening in the top of the tank if the tank adapter is not used. Use reducer bushings as required for proper fit and seal.

The 1/4 NPT opening in the side of the tank adapter terminates in the vapor space of the tank. Make liquid-tight connections using the appropriate sealant from the adapter to the anti-siphon outlet using a minimum of 1/4 metal tubing that is compatible with whatever liquid is being pumped. If the anti-siphon tank adapter is being used and the 1/4 NPT opening is not used for the tubing, leave the factory installed plug in place.

Fill-Rite offers Anti-Siphon kit # KIT700AS (available through your Fill-Rite distributor). This kit contains the necessary fittings and tubing to complete the installation as pictured in this section and supplying your own anti-siphon line. **NOTE:** This kit **ONLY** works for adapter kit tank top installations.

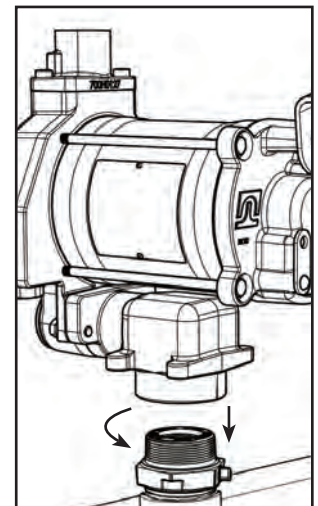
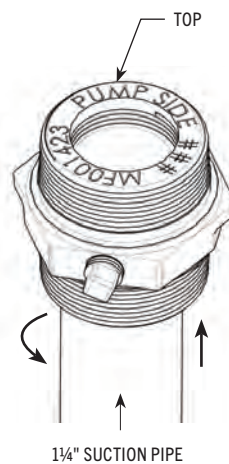
If not using the KIT700AS, you will need the KIT700AVB. This will allow you to connect a line either back to the tank, or to the bung adapter.



Bung Adapter / Suction Pipe Assembly and Installation

FR700V Series pumps feature a 2" Bung Adapter with integral connection for an anti-siphon device. When installing the suction pipe into the bung adapter, the suction pipe must be inserted into the bung adapter correctly for proper operation. The suction pipe threads into the tank adapter, and must be cut to a length that positions it at least 3" from the bottom of the tank.

1. Measure and cut suction pipe to fit as described above.
2. Examine the bung adapter to determine top and bottom for proper insertion of the suction pipe. The bung adapter is labeled to help: the end marked "PUMP SIDE" is the top of the bung adapter. Note that the internal threads for the suction pipe are at the TOP of the opening, but the suction pipe is inserted through the bottom opening.
3. Wrap the threads of the suction pipe with the appropriate sealant for the fluid being pumped. Insert the suction pipe (with the threaded side up) into the bottom of the bung adapter until the threads engage.
4. Tighten the suction tube into the bung adapter to create an air / fluid tight seal.
5. Apply an anti-seize thread compound to the external threads on the bottom of the bung adapter. Install the assembled bung adapter and suction pipe into the bung opening on the tank. Tighten to a fluid / air tight seal.
6. Install pump onto bung adapter using appropriate fluid sealant, and tighten to a fluid / air tight seal.



Electrical Wiring



WARNING! Electrical wiring should be performed **ONLY** by a licensed electrician in compliance with local, state, and national electrical code NEC/ANSI/NFPA 70, NFPA30, and NFPA 30A, as appropriate to the intended use of the pump. Threaded rigid conduit, sealed fittings, and conductor seal should be used. The pump must be properly grounded. Improper installation or use of this pump can result in serious bodily injury, or death!

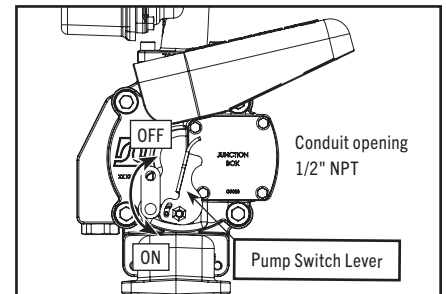
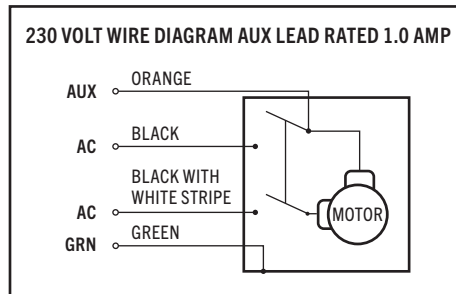
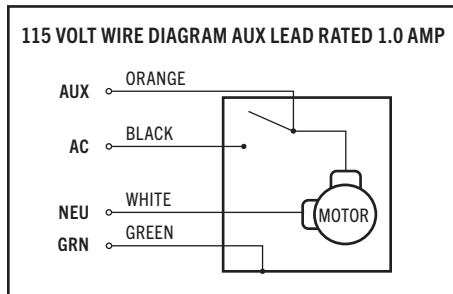


CAUTION! All pumps should be operated at the Rated Nameplate Voltage. Power should be supplied to the pump from a dedicated 20 amp circuit breaker. No other equipment should be powered by this circuit. Wiring must be of sufficient size to carry the correct current for the pump. Voltage drop will vary with distance to pump and size of wire; refer to the National Electrical Code (NEC), or local codes, for Voltage Drop Compensation to be sure you are using the correct size wire for your application.

Wiring Procedure



WARNING! The “AUX.” wire IS A LIVE WIRE when the switch is on! The “AUX” lead wire is insulated and enclosed when shipped. **DO NOT** connect this wire without first verifying the “ON” line voltage of the wire for compatibility with the equipment to be installed. Maximum amperage on this wire is 1 amp. The “AUX” wire must be insulated and enclosed in the junction box if not used.



1. Remove the junction box cover and straighten the wires to make sure the stripped wire ends are accessible outside the junction box.
2. Connect the pump wires to the power supply lines according to the diagram. Be certain to properly insulate the connections with the appropriate wire nuts or other connectors. Note that the ground wire **MUST** be connected.
3. Tuck the wires back into the junction box, verify proper placement of gasket, align cover with junction box holes and reinstall screws. Torque each screw to 90 ± 9 in.-lbs.

IMPORTANT! Be certain the gasket for the cover is in place, and the screws draw the cover down tight over the junction box. There must be no gap between the junction box and its cover.

AWG	MAX CABLE LENGTH (FEET)													
	Solid Wire							Stranded Wire						
	16	14	12	10	8	6	4	16	14	12	10	8	6	4
115V AC (60 Hz motor)	39	62	99	158	250	--	--	38	61	96	154	245	389	620
230V AC (50 Hz motor)	186	296	471	751	--	--	--	182	290	459	733	--	--	--
230V AC (60 Hz motor)	170	271	432	689	--	--	--	167	265	421	672	--	--	--

Operating Instructions

1. Reset Meter to "0" (if applicable).
2. Remove dispensing nozzle from nozzle boot.
3. Move the switch lever to the "ON" position to power the pump.
4. Insert the dispensing nozzle into the container to be filled.
5. Operate the nozzle to dispense fluid; release nozzle when the desired amount of fluid has been dispensed.
6. Move switch lever to the "OFF" position to stop the pump.
7. Remove the dispensing nozzle from the container and store it in the nozzle boot.



CAUTION! Always keep the nozzle in contact with the container being filled during the filling process to minimize the possibility of static electricity build up.

Nozzle Boot Installation

The nozzle boot is installed using the lower two screw holes on the side of the boot. Use supplied attaching hardware to install the nozzle boot.

When the nozzle is mounted correctly it will be in a horizontal position.

Fluid Compatibility

Diesel Fuel, Gasoline, Kerosene, Mineral Spirits, Stoddard Solvents, and Heptane

IMPORTANT! If in doubt about compatibility of a specific fluid, contact supplier of fluid to check for any adverse reactions to the following wetted materials: cast iron; steel; zinc plated steel; 300 series stainless steel; carbon; fluorocarbon; buna; 400 series stainless steel; aluminum; and phenolic.

Technical Information / Specifications

Design Features:

- Inlet: Bung : 2" male NPT; Suction pipe- 1¼" female NPT for FR705VE / 705VEL / 715VE Bung: 2" male BSPT; Suction pipe- 1" female BSPP.
- Outlet: 3/4" NPT (model FR700V / 701V) / 1" NPT (model FR710V / 711V) for FR705VE / 705VEL / 715VE Outlet.
- Cast iron pump housing: iron (composite) rotor, and carbon (composite) vanes.
- Model FR700V / 701V furnished with UL listed ¾" x 12' hose and manual nozzle.
- Model FR711V furnished with one UL listed 1" x 18' hose and automatic nozzle.
- Security: Pump equipped for padlocking.
- Thermal overload protection.
- Heavy duty switch.
- 30 minute duty cycle.
- Explosion proof motor UL listed with sealed bearings that require no maintenance.
- Integral check valve with pressure relief on outlet side prevents pressure build up and improves vertical lift.
- Easy access strainer.
- Automatic bypass valve.
- 2" threaded base for tank openings.
- Constant Amp Draw (service factor of 1.0):
 - 115VAC 60Hz – 5.5 amps
 - 230VAC 60Hz – 2.4 amps

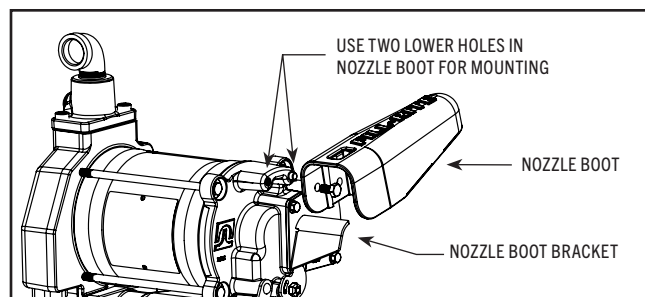
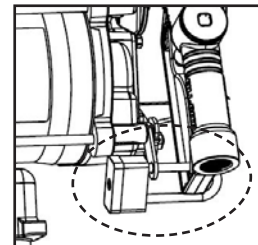
Safety Testing Approvals

The Fill-Rite line of pumps have been safety tested for compliance to the standards set forth by UL Laboratories.



Padlocking

Your Fill-Rite pump nozzle can be pad locked for added security. With the pump turned off, and the nozzle in the stored position, a pad lock can be inserted through the locking link and the nozzle handle opening. This configuration prevents the nozzle from being removed from the nozzle cover.



Overall Dimensions:

- Model FR700V / 710V: 14.15" wide X 11.825" high x 11.5" deep.
- Model FR701V: 14.15" wide X 16.6" high x 11.675" deep.
- Model FR711V: 15.25" wide x 16.1" high x 14.1" deep.

Shipping Weight:

- FR700V: 54 lbs. / FR701V: 61 lbs. / FR710V: 54 lbs. / FR711V: 61 lbs.

Accessories:

- See page 8 for a complete list of available accessories.

Performance:

- 25 psi (1.72 bar) maximum pressure @ pump outlet.
- Up to 20 gallons (75 liters) per minute.
- Fluid pump with maximum viscosity: #2 diesel fuel.
- Maximum pump operating temperature (ambient): 150 degrees F (66 degrees C).
- Minimum pump operating temperature (ambient): minus 13 degrees F (minus 25 degrees C) (note that for operation at lower temperatures, we recommend the "Arctic Nozzle" and "Arctic Hose" in the accessories section on page 8).
- Maximum suction lift: 10' (3 m) for gasoline; 18' (5.5 m) for #2 diesel fuel (the lift in feet is equal to the vertical distance from the surface of the fluid in the tank to the inlet of the pump, LESS friction losses through the vertical and horizontal runs of pipe, all elbows, and other fittings. System should be set up to require a **minimum** amount of suction lift).

Accessories

A wide variety of accessories are available to help you maximize the performance of your FR700V Series pump. Listed below are the applicable available accessories for your specific product. Please contact your authorized Fill-Rite distributor to purchase the accessories you need.

Part Number	Description	FR700V	FR701V	FR710V	FR711V
1200KTF7018	¾" Filter Kit (Particulate)	X	X		
F1810PM0	Replacement Particulate Filter Element	X	X		
1210KTF7019	¾" Filter Kit (Hydrosorb)	X	X		
F1810HM0	Replacement Hydrosorb Filter Element	X	X		
F4010PM0	1" Filter Kit (Particulate 10 micron)			X	X
F4030PM0	1" Filter Kit (Particulate 30 micron)			X	X
700ACCF7017	1" Filter Head			X	X
FRPA125	Island Pedestal Mount Kit	X	X	X	X
KIT700AS	Anti-Siphon Kit	X	X	X	X
FRH10012	1" Hose (12')			X	X
FRH10014	1" Hose (14')			X	X
700F1353	1" Hose (18')			X	X
FRH07512	¾" Hose (12')	X	X		
FRH07514	¾" Hose (14')	X	X		
FRHMN075S	¾" Nozzle, Manual, Unleaded Spout	X	X		
N075UAU10	¾" Nozzle, Automatic, Unleaded Spout	X	X		
N075DAU10	¾" Nozzle, Automatic, Diesel Spout	X	X		
FRHMN100S	1" Nozzle, Manual, Leaded Spout			X	X
N100DAU12	1" Auto Shut Off Nozzle (Hi-Flow Diesel)			X	X
N100DAU13	1" Auto Shut Off Nozzle (Ultra Hi-Flow Diesel – Red cover)			X	X
N100DAU13G	1" Auto Shut Off Nozzle (Ultra Hi-Flow Diesel – Green cover)			X	X
FRNA075DAU10	¾" Auto Shut Off Nozzle (Arctic Duty – Diesel)	X	X		
FRNA100DAU00	1" Auto Shut Off Nozzle (Arctic Duty – Diesel)			X	X

Troubleshooting

The following "Troubleshooting" guide is provided to offer basic diagnostic assistance in the event you encounter abnormal service from your Fill-Rite product.

If you have questions regarding installing, operating, or servicing your product, please feel free to contact our Customer Service Department at 1-800-634-2695 (M-F 8 AM–6 PM ET). You can also reach us at www.fillrite.com.



WARNING! DO NOT open or attempt to repair the motor on your FR700V Series pump. Opening the motor case can compromise the integrity of the Explosion Proof construction and will void any existing warranty and certification (UL listing). **Please refer to the warranty policy located on page 2.**



WARNING! Be certain all power to the pump is turned off prior to performing any service or maintenance.

Troubleshooting (continued)

Symptom	Cause	Solution
Fluid leakage	1. Bad o-ring gasket	Check all o-ring gaskets
	2. Dirty shaft seal	Clean seal & seal cavity
	3. Bad shaft seal	Replace seal
	4. Incompatible fluid	Refer wetted parts list to fluid manufacturer
	5. Loose fasteners	Tighten fasteners
Pump won't prime	1. Suction line problem	Check for leaks in suction line
	2. Bypass valve open	Remove and inspect valve, must move freely & be free of debris
	3. Vanes sticking	Check vanes and slots for nicks, burrs and wear *
	4. Excessive rotor or vane wear	Inspect rotor & vanes for excessive wear or damage, replace if necessary *
	5. Outlet blocked	Check pump outlet, hose, nozzle & filter for blockage
	6. Vapor Lock	Reduce vertical and horizontal distance from pump to liquid; Remove the automatic nozzle
Low capacity	1. Excessive dirt in screen	Remove and clean screen
	2. Suction line problem	Check suction line for leaks or restrictions; it may be too small, too long or not airtight
	3. Bypass valve sticking	Remove and inspect valve; must move freely & be free of debris
	4. Vanes sticking	Check vanes and slots of wear
	5. Excessive rotor or vane wear	Inspect rotor & vanes for excessive wear or damage; replace if necessary *
	6. Hose or nozzle damage	Replace hose or nozzle
	7. Plugged filter	Replace filter
	8. Low fluid level	Fill tank
Pump runs slowly	1. Incorrect voltage	Check incoming line voltage while pump is running
	2. Vanes sticking	Inspect vanes and slots for nicks, burrs and wear
	3. Wiring problem	Check for loose connections
	4. Motor problem	Refer to warranty policy
Motor stalls	1. Bypass valve sticking	Remove and inspect valve, must move freely & be free of debris
	2. Low voltage	Check incoming line voltage while pump is running
	3. Excessive rotor or vane wear	Check rotor & vanes for excessive wear or damage *
	4. Debris in pump cavity	Clean debris from pump cavity
Motor overheats	1. Pumping high viscosity fluids	These fluids can only be pumped for short periods of time (less than 30 minutes duty cycle)
	2. Clogged screen	Remove and clean screen
	3. Restricted suction pipe	Remove and clean pipe
	4. Motor failure	Refer to warranty policy
	5. Pump rotor lock-up	Clean and check pump rotor and vanes
Motor inoperative	1. No Power	Check incoming power
	2. Switch failure	Refer to warranty policy
	3. Motor failure	Refer to warranty policy
	4. Thermal protector failure	Refer to warranty policy
	5. Incorrect/loose wiring	Check wiring
Pump hums but will not operate	1. Dirt in pump cavity	Clean out pump cavity
	2. Motor failure	Refer to warranty policy
	3. Broken key	Remove all debris & replace insert
	4. Low voltage	Check incoming line voltage while pump is on

Bold text indicates repairs that are not serviceable by the owner; please refer to our warranty policy on page 2 for further instructions.

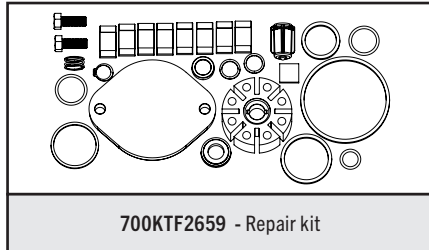
* Repairs marked with an asterisk (*) will require Repair Kit #700KTF2689. This kit includes a replacement rotor and new vanes, as well as a number of other important seals and components to complete the repair. Details of this kit are on page 10.

Replacement Parts Information

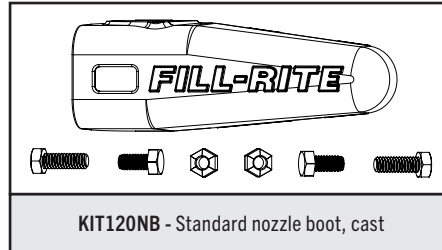
For repairs or routine maintenance, Fill-Rite offers the parts you need. The following parts diagram and list covers all applicable parts for your Fill-Rite product. These parts can be obtained through any authorized Fill-Rite dealer. Be sure to use only genuine Fill-Rite replacement parts for your service and maintenance needs. For a list of authorized dealers, please visit our web site at www.fillrite.com.



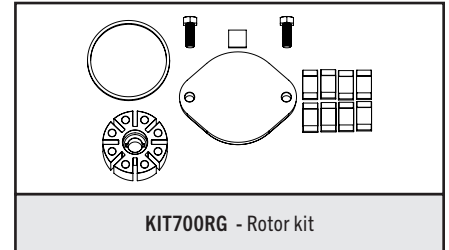
WARNING! DO NOT open or attempt to repair the motor on your FR700V Series pump. Opening the motor case can compromise the integrity of the Explosion Proof construction and will void any existing warranty and certification (UL listing). Please refer to the warranty policy located on page 2.



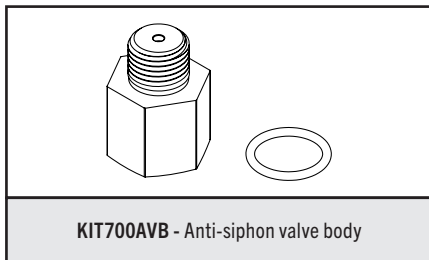
700KTF2659 - Repair kit



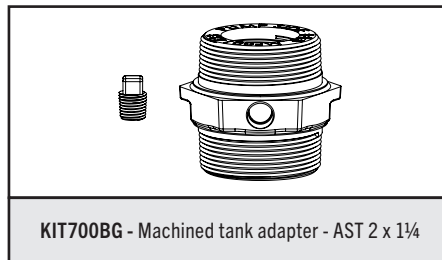
KIT120NB - Standard nozzle boot, cast



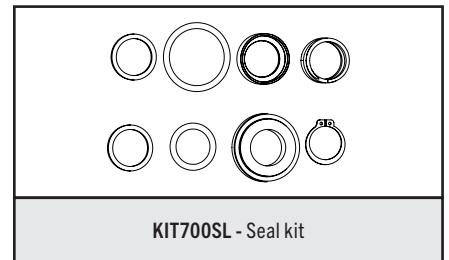
KIT700RG - Rotor kit



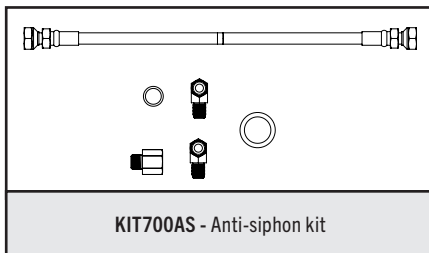
KIT700AVB - Anti-siphon valve body



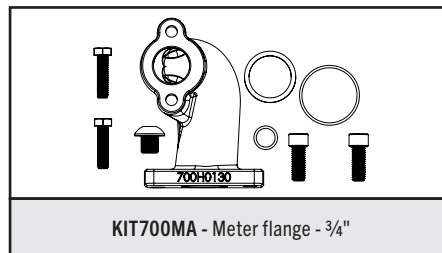
KIT700BG - Machined tank adapter - AST 2 x 1/4



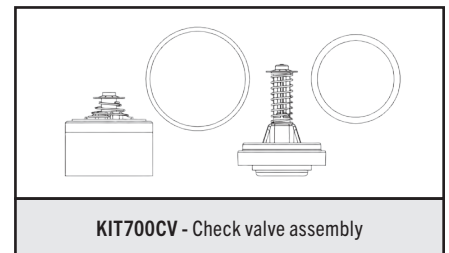
KIT700SL - Seal kit



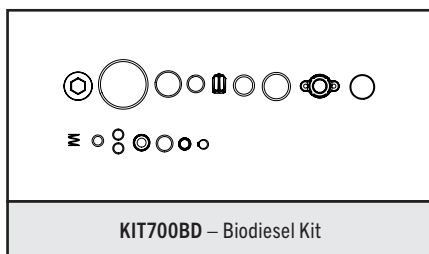
KIT700AS - Anti-siphon kit



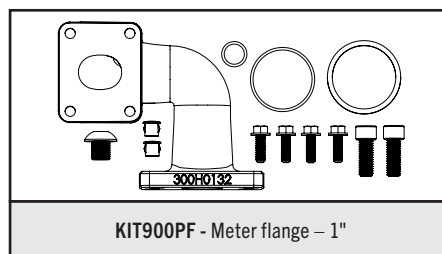
KIT700MA - Meter flange - 3/4"



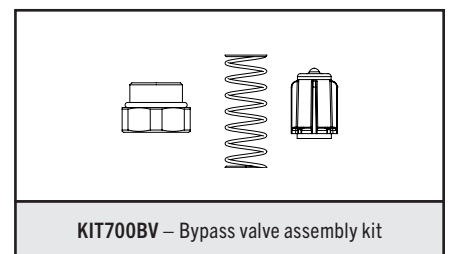
KIT700CV - Check valve assembly



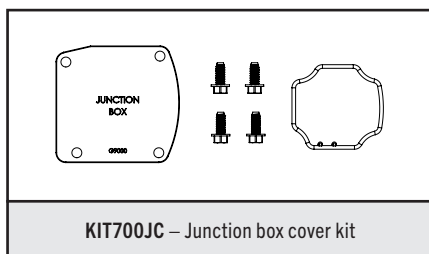
KIT700BD - Biodiesel Kit



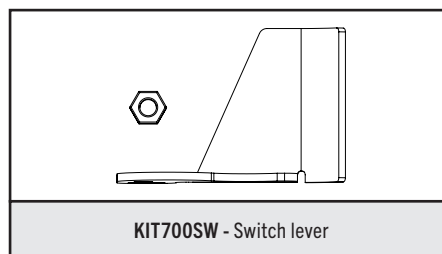
KIT900PF - Meter flange - 1"



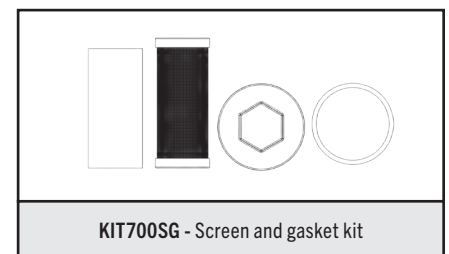
KIT700BV - Bypass valve assembly kit



KIT700JC - Junction box cover kit



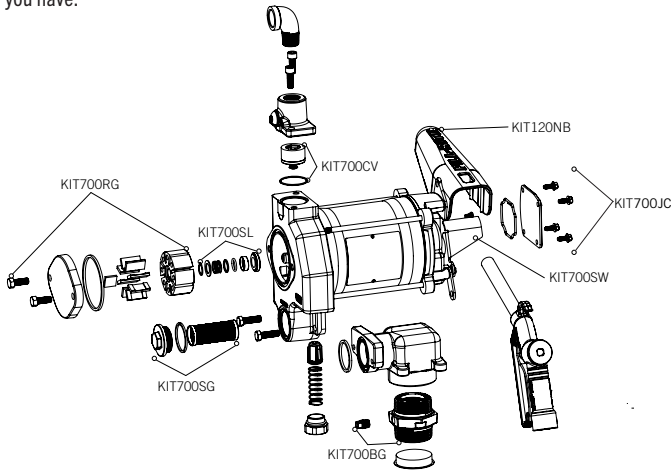
KIT700SW - Switch lever



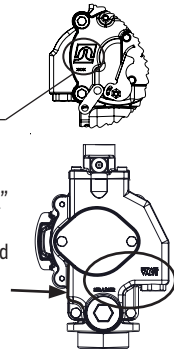
KIT700SG - Screen and gasket kit

FR700V / FR701V / FR710V / FR711V Parts List

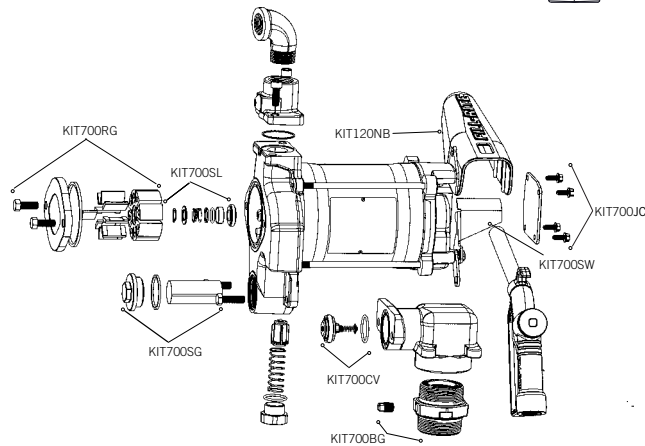
Please review the following visual indicators to determine which FR700V Series model you have:



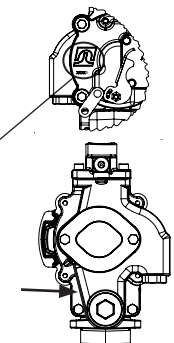
Examine the casting on the side of the pump containing the switch and nozzle boot. There will be a Tuthill logo etched into the casting. Underneath the casting, you will see a date code. If the date code is only 4 characters or numbers long, you have the older design.



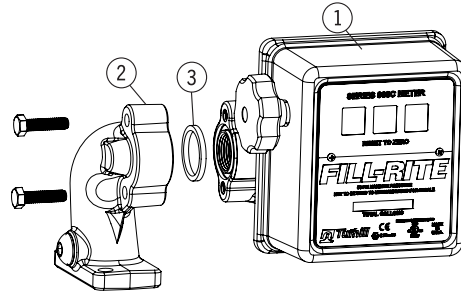
Additionally, on the other side of the pump, the cast iron pump housing is not angled and contain the words "Strainer" and "Bypass Valve" etched directly into the casting. If your pump matches these descriptions, the check valve is located on the outlet side of your pump. It will also utilize the longer of the two strainer assemblies available in KIT700SG.



Examine the casting on the side of the pump containing the switch and nozzle boot. There will be a Tuthill logo etched into the casting. Underneath the casting, you will see a date code. If the date code is 5 characters long and ends in the letter "B", you have the new design.



Additionally, on the other side of the pump, the cast iron pump housing has angled edges and does not contain any words etched into the casting. If your pump matches these descriptions, the check valve is located on the inlet side of your pump. It will utilize the shorter of the two strainer assemblies available in KIT700SG.



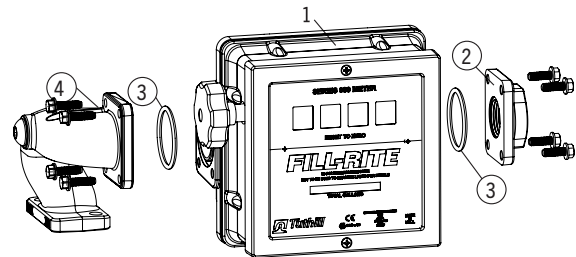
FR701V Parts List

The FR701V configuration adds a 807C Series mechanical meter, inlet meter flange, outlet meter flange, the associated attaching hardware, and gaskets. This package is available in gallon or liter register.

No.	Part / Kit #	Description	Qty.
1	807C	807C Meter (Gallon)	1
2	701H0934	Meter Flange	1
3		Gasket, Lathe Cut, Nitrile	1
1	807CL	807CL Meter (Liter)	1

FR710V Parts

No.	Part / Kit #	Description	Qty.
1	700H0128	1" Outlet Flange	1



FR711V Parts List

The FR711V configuration adds a 901C Series mechanical meter, inlet meter flange, outlet meter flange, the associated attaching hardware, and gaskets. This package is available in gallon or liter register.

No.	Gallon Kit Number	Description	Liter Kit Number	Qty.
1	901C	901C Meter (Gallons)	--	1
2	900 Meter (Gallon) Kit # 901CMK300V	Meter Flange	900 Meter (Liter) Kit # 901CLMK300V	1
3		Meter Gasket		2
4		1" Meter Fitting		1
1	--	901CL Meter (Liters)	901CL	1

ATTENTION!

The following information is for suffix "E" pumps and meters (designed for use outside the United States and Canada)! Refer to the information label applied to your pump to see if it is applicable.

Materials of Construction

Materials of construction of the external surface of the unit are: painted steel; painted cast iron; painted aluminum; zinc plated steel.

Materials of construction of the wetted parts are: cast iron; steel; zinc plated steel; 300 series stainless steel; carbon; fluorocarbon; buna; 400 series stainless steel; aluminum; phenolic; thermoplastic polyester; polybutylene terephthalate and copper.

Repair and Maintenance

Contact the place of purchase for warranty repair and maintenance

Specific Conditions of Use

1. Consult the manufacturer if dimensional information on the flameproof joints is necessary.
2. ISO Class 8.8, M6 hex-head screws (Yield Stress 640 MPa) shall be used to replace the FR700V Series terminal cover fasteners.
3. ISO Class 10.9, M8 hex-head screws (Yield Stress 940 MPa) shall be used to replace the FR700V Series motor tie-rod fasteners.
4. An electrically conductive hose and nozzle must be used with flammable liquids. To minimize static electricity buildup, always keep the nozzle in contact with the container being filled during the fueling process.

Installation

Pump must be installed in compliance with EN 60079-14 or IEC 60079-14, as applicable.

Certificates for Compliance of Safety have been obtained for the following agencies



II 2 G
Ex db h IIA T4 Gb
FM19ATEX0019X
IECEx FMG19.0013X
Ex db IIA T4 Gb



for products sold outside the US and Canada. Please refer to the tag on your particular product for its particular compliance data.

The following standards were used to show compliance in the European Union:

EN IEC 60079-0:2018, Ed 7 "Explosive atmospheres – Part 0: Equipment – General requirements"

EN 60079-1:2014, Ed 7 "Explosive atmospheres – Part 1: Equipment protection by flameproof enclosures "d""

EN ISO 80079-36:2016, Ed 1 "Explosive atmospheres – Part 36: Non-electrical equipment for explosive atmospheres – Basic method and requirements"

EN ISO 80079-37:2016, Ed 1 "Explosive atmospheres – Part 37: Non-electrical equipment for explosive atmospheres – Non electrical type of protection constructional safety "c", control of ignition source "b", liquid immersion "k""

Directive 2014/34/EU – Equipment and protective systems intended for use in potentially explosive atmospheres.

Directive 2011/65/EU – Restrictions of the use of certain hazardous substances in electrical and electronic equipment.

The following standards were used to show compliance for IECEx certification:

IEC 60079-0:2017, Ed 7
IEC 60079-1:2014, Ed 7



Tuthill Corporation
8825 Aviation Drive
Fort Wayne, Indiana 46809 USA

P (800) 634-2695
(+01) 260-747-7524
F (800) 866-4681

tuthill.com | fillrite.com | soteria.com

FILL-RITE®

POMPES DE TRANSFERT DE CARBURANT SÉRIE FR700V

Manuel d'installation et d'utilisation



Table des matières

Déclaration de garantie.....2

Information sur la sécurité3

Installation3

Dispositif anti-siphonnage.....5

Câblage électrique.....6

Procédure de câblage.....6

Mode d'emploi7

Homologations de sécurité.....7

Cadenassage.....7

Liquides compatibles.....7

Caractéristiques et informations techniques7

Accessoires.....8

Dépannage.....8

Information sur les pièces de rechange.....10

Liste des pièces FR700V / FR701V / FR710V / FR711V11

Information sur les modèles FR700VE12

Merci!

Merci pour votre loyauté envers la marque de pompes de transfert de carburant Fill-Rite®. Votre sécurité est importante, c'est pourquoi nous vous invitons à lire et à bien comprendre les instructions figurant dans ce manuel. En outre, veuillez conserver ce manuel pour toute référence ultérieure et y consigner le modèle, le numéro de série et la date d'achat de la pompe de transfert de carburant. Protégez-vous et tous ceux qui vous entourent en respectant toutes les consignes de sécurité, ainsi que tous les symboles Danger, Avertissement et Attention. Veuillez enregistrer ce produit Fill-Rite® à l'adresse info.tuthill.com/product_registration

POLITIQUE DE RETOUR - IMPORTANT

Veuillez ne pas retourner ce produit au magasin. Pour toute question sur la garantie et les produits, veuillez communiquer avec le service à la clientèle Tuthill au 1-800-634-2695 (lun-ven, 8h00-18h00 HNE/HAE).

N° DE MODÈLE	
N° DE SÉRIE	
DATE D'ACHAT :	



Garantie limitée

Tuthill Fort Wayne garantit que les marchandises fabriquées sont exemptes de défauts de pièces et de main-d'œuvre. Voir les détails spécifiques de la garantie pour chaque produit à fillrite.com.

À propos de ce manuel

Du concept initial jusqu'à la fabrication finale, votre pompe Fill-Rite est construite pour vous offrir des années d'utilisation sans problème. Pour assurer ces résultats, **il est impératif que vous lisiez entièrement ce manuel avant de tenter d'installer ou de faire fonctionner votre nouvelle pompe**. Familiarisez-vous avec les termes utilisés et les schémas et accordez une attention particulière aux sections mises en évidence comme suit :



AVERTISSEMENT! Souligne des circonstances qui **peuvent** entraîner des blessures corporelles, voire la mort, si les instructions ne sont suivies comme il se doit. Des dommages mécaniques sont également possibles.



ATTENTION! Mise en garde qui doit être observée pour éviter d'endommager le matériel.

IMPORTANT! Ces encadrés contiennent des informations qui illustrent un point susceptible de faire gagner du temps ou essentiel au bon fonctionnement ou qui clarifient une étape.

Chez Tuthill, votre satisfaction vis-à-vis de nos produits est primordiale. Si vous avez des questions ou que vous avez besoin d'aide concernant votre produit, communiquez avec nous au 1-800-634-2695 (lun-ven, 8h00-18h00 HNE).

Information sur la sécurité



AVERTISSEMENT! Le câblage électrique doit être exécuté **UNIQUEMENT** par un électricien qualifié en conformité avec le code de l'électricité en vigueur, NEC/ANSI/NFPA 70, NFPA 30 et NFPA 30A, comme il se doit en fonction de l'utilisation prévue de la pompe. Utiliser des conduits rigides filetés, des raccords étanches et du joint pour conducteurs. La pompe doit être correctement reliée à la terre. Une installation ou une utilisation incorrecte de cette pompe peut entraîner de blessures corporelles graves ou la mort!

1. NE JAMAIS fumer à proximité de la pompe ni utiliser la pompe à proximité de flammes nues lors du pompage d'un liquide inflammable! Cela peut provoquer un incendie!
2. Prévoir un filtre Fill-Rite à la sortie de la pompe pour éviter de transférer toute matière étrangère vers le réservoir de carburant.
3. L'étanchéité des joints et raccords de tuyauterie filetés doit être assurée au moyen d'une pâte ou d'un ruban d'étanchéité adapté afin de minimiser les risques de fuite.
4. Les cuves de stockage devront être solidement ancrées afin d'empêcher tout déplacement ou basculement lorsqu'elles sont vides ou pleines.
5. Pour minimiser l'accumulation d'électricité statique, utiliser uniquement un tuyau flexible à conducteur antistatique pour le pompage de liquides inflammables et maintenir le pistolet de distribution en contact avec le récipient à remplir durant le remplissage.
6. Le moteur de pompe est muni d'une protection contre la surcharge thermique. En cas de surchauffe, le moteur s'arrête pour éviter d'endommager les bobinages. Si cela se produit, **ARRÊTER LA POMPE!** Une fois que le moteur a refroidi, il redémarre sans avertissement s'il est sous tension.



AVERTISSEMENT! Ne pas utiliser ce produit pour transférer des liquides dans un quelconque type d'aéronef.



AVERTISSEMENT! Ce produit ne convient pas à une utilisation avec des liquides prévus pour la consommation humaine ni avec des liquides contenant de l'eau.

Installation

La pompe Fill-Rite série FR700V est conçue pour offrir plusieurs configurations de montage différentes. Elle peut être montée sur une citerne plate-forme à l'aide de l'adaptateur de citerne fourni avec la pompe (voir schémas ci-joints) ou montées sur un îlot en béton à l'aide d'un adaptateur de socle en option (disponible auprès des distributeurs Fill-Rite). Indépendamment du type de montage, toutes les citernes doivent être correctement aérées.

La pompe série FR700V comporte un clapet antiretour intégré pour éviter les surpressions dangereuses liées à la dilatation thermique du liquide. Elle comporte également une soupape de dérivation afin de minimiser l'usure lorsque la pompe fonctionne avec le pistolet de distribution fermé.

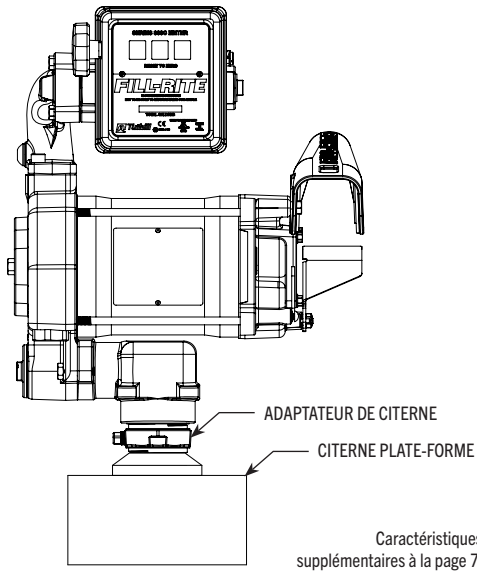


ATTENTION! Ne pas utiliser de clapets antiretour ou clapets à pied à moins qu'ils comportent une soupape de surpression adaptée intégrée. On notera que les clapets antiretour supplémentaires réduisent le débit.



ATTENTION! L'étanchéité des joints et raccords de tuyauterie filetés doit être assurée au moyen d'une pâte ou d'un ruban d'étanchéité adapté afin de minimiser les risques de fuite.

INSTALLATION SUR CITERNE PLATE-FORME



Installation typique sur citerne plate-forme

Matériaux

- Tuyau de 1-1/4 po coupé à une longueur telle qu'il arrive à moins de 76 mm (3 po) du fond de la citerne lorsqu'il est vissé dans l'adaptateur de citerne et que l'adaptateur est vissé dans la bride de la citerne (voir le schéma INSTALLATION SUR CITERNE PLATE-FORME).
- Pâte d'étanchéité pour filetage de tuyau adaptée à l'utilisation considérée.
- Composé antigrippage.

Installation

1. Visser le tuyau de 1-1/4 po dans l'adaptateur de citerne. Assurer l'étanchéité aux liquides du filetage à l'aide d'une pâte d'étanchéité adaptée.
2. Appliquer un composé antigrippage sur les filets externes au bas de l'adaptateur de bonde. Visser l'adaptateur de citerne dans la bride de la citerne.
3. Monter la pompe sur l'adaptateur en appliquant une pâte d'étanchéité adaptée sur les filetages.
4. Fill-Rite recommande d'installer un dispositif anti-siphonnage (voir les détails à la page 5).

Installation typique sur « îlot »

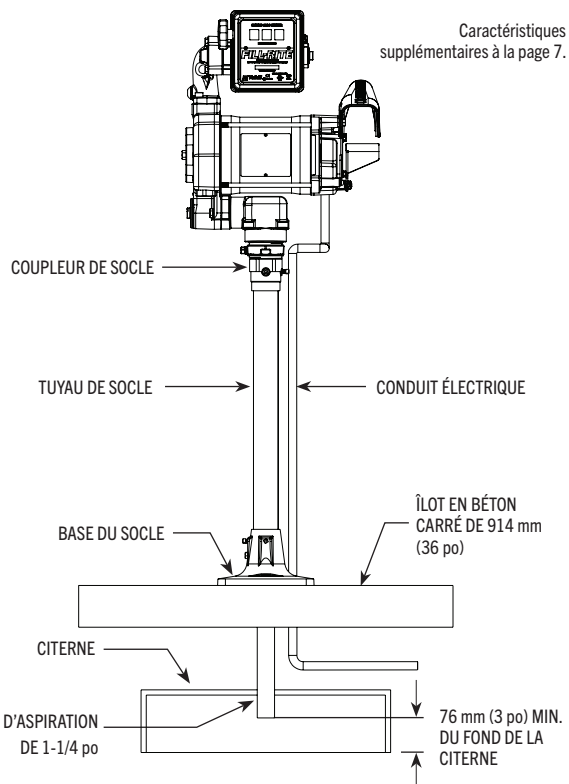
Matériaux

- Tuyau d'aspiration fileté de 1-1/4 po, coupé pour dépasser de 825 mm (32-1/2 po) au-dessus de l'îlot.
- Trousse socle FRPA125 (comprend le tuyau, la base et le coupleur de socle).
- Pâte d'étanchéité pour filetage de tuyau adaptée à l'utilisation considérée.

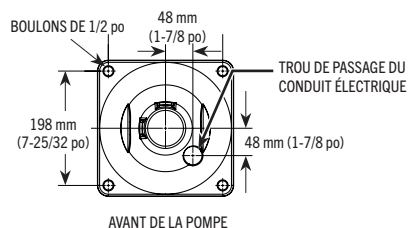
Installation

1. Desserrer les vis de fixation pour détacher le coupleur du tuyau de socle.
2. Enfiler l'ensemble tuyau de socle et base de pompe sur le tuyau d'aspiration de 1-1/4 po.
3. Desserrer les vis de la base de la pompe pour permettre au tuyau de socle de glisser vers le bas pour exposer l'extrémité du tuyau d'aspiration.
4. Visser le coupleur sur le tuyau d'aspiration en appliquant une pâte d'étanchéité adaptée sur les filetages.
5. Enfiler le tuyau de socle dans le coupleur et serrer les vis de fixation.
6. Serrer les vis dans la base de la pompe.
7. Monter la pompe sur le coupleur en appliquant une pâte d'étanchéité adaptée sur les filetages.

INSTALLATION TYPIQUE SUR SOCLE OU ÎLOT



DISPOSITION DES BOULONS D'ANCRAGE DE LA BASE





ATTENTION! L'étanchéité des joints et raccords de tuyauterie filetés doit être assurée au moyen d'une pâte ou d'un ruban d'étanchéité adapté afin de minimiser les risques de fuite.

Dispositif anti-siphonnage

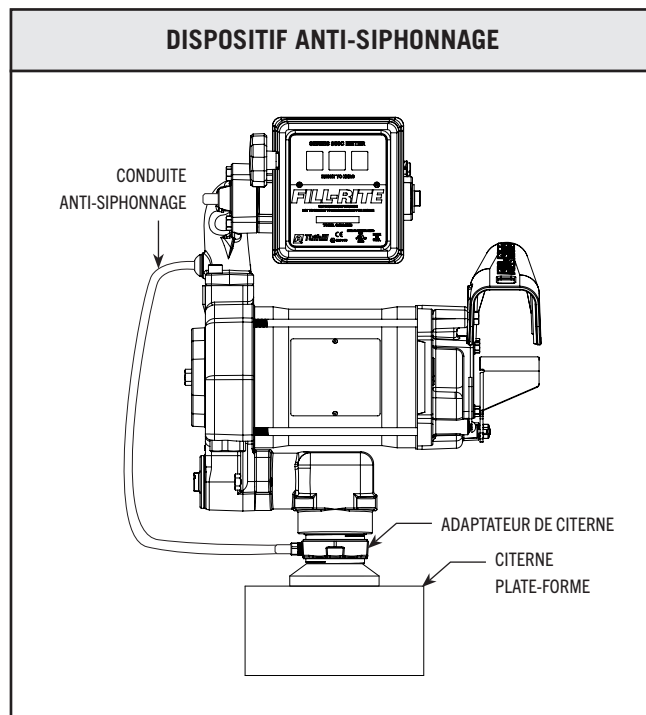
La pompe série FR700V est fournie prête pour la pose d'un tube anti-siphonnage de retour vers la citerne. Le dispositif anti-siphonnage (ou casse-vide) joue un rôle important parce qu'il permet de casser un siphonnage de liquide s'il y a un pistolet ouvert ou un tuyau qui fuit en dessous du niveau de liquide de la citerne alors que la pompe est à l'arrêt. Fill-Rite recommande d'installer la trousse anti-siphonnage n° KIT700AS entre la sortie de pompe et l'espace de vapeur de la citerne.

Cette illustration montre où installer le tube pour qu'il débouche dans l'espace de vapeur au sommet de la citerne. Le tube doit déboucher dans l'espace de vapeur; s'il débouche au niveau du liquide dans la citerne, il n'empêche pas le siphonnage. Il est très important que la tubulure ne comporte pas de piège à liquide; elle doit avoir une pente continue vers le bas de la pompe jusqu'à la citerne et peut être raccordée à toute ouverture au sommet de la citerne si l'adaptateur de citerne n'est pas utilisé. Utiliser les raccords de réduction qui conviennent pour obtenir un ajustement étanche.

L'ouverture de 1/4 po NPT dans le côté de l'adaptateur de citerne débouche dans l'espace de vapeur de la citerne. Effectuer des raccordements étanches à l'aide d'une pâte d'étanchéité adaptée entre l'adaptateur et la sortie anti-siphonnage au moyen d'un tube métallique d'au moins 1/4 po qui est compatible avec le liquide à pomper. Si l'adaptateur de citerne anti-siphonnage est utilisé et que l'ouverture de 1/4 po NPT n'est pas utilisée pour le tube, laisser le bouchon d'usine en place.

Fill-Rite propose une trousse anti-siphonnage n° KIT700AS (disponible auprès des distributeurs Fill-Rite). Cette trousse contient les raccords et le tube nécessaires pour effectuer l'installation illustrée dans cette section et fournir une conduite anti-siphonnage au système. REMARQUE: Cette trousse convient UNIQUEMENT aux installations sur dessus de citerne avec trousse d'adaptation.

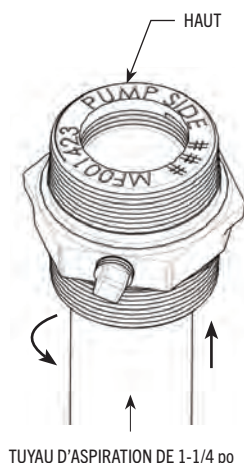
Si la trousse KIT700AS n'est pas utilisée, alors la trousse KIT700AVB est nécessaire. Elle permet de raccorder une conduite soit à la citerne, soit à l'adaptateur de bonde.



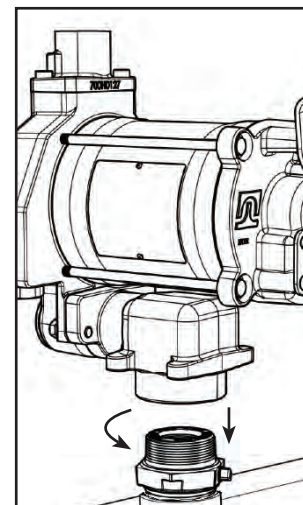
Assemblage et pose de l'adaptateur de bonde et du tuyau d'aspiration

Les pompes FR700V comportent un adaptateur de bonde de 2 po avec raccord intégré pour dispositif anti-siphonnage. Lors du montage du tuyau d'aspiration dans l'adaptateur de bonde, le tuyau d'aspiration doit être inséré correctement dans l'adaptateur pour bien fonctionner. Le tuyau d'aspiration se visse dans l'adaptateur de citerne et doit être coupé à une longueur qui le place à au moins 76 mm (3 po) du fond de la citerne.

1. Mesurer et couper le tuyau d'aspiration comme décrit ci-dessus.
2. Observer l'adaptateur de bonde pour déterminer le haut et le bas et assurer la bonne insertion du tuyau d'aspiration. Pour faciliter cette identification, le dessus de l'adaptateur de bonde est marqué « PUMP SIDE » (côté pompe). On notera que les filets internes du tuyau d'aspiration sont EN HAUT de l'ouverture, mais que le tuyau d'aspiration est inséré par l'ouverture inférieure.
3. Enduire le filetage du tuyau d'aspiration d'une pâte d'étanchéité adaptée au liquide à pomper. Insérer le tuyau d'aspiration (côté fileté vers le haut) dans le dessous de l'adaptateur de bonde jusqu'à engager les filets.
4. Serrer le tube d'aspiration dans l'adaptateur de bonde de façon à obtenir un assemblage étanche à l'air et aux liquides.
5. Appliquer un composé antigrippage sur les filets externes au bas de l'adaptateur de bonde. Placer l'ensemble adaptateur de bonde et tuyau d'aspiration dans l'ouverture de bonde de la citerne. Serrer pour obtenir un assemblage étanche à l'air et aux liquides.
6. Monter la pompe sur l'adaptateur de bonde en utilisant une pâte d'étanchéité adaptée au liquide et serrer de façon à obtenir un assemblage étanche à l'air et aux liquides.



TUYAU D'ASPIRATION DE 1-1/4 po



Câblage électrique



AVERTISSEMENT! Le câblage électrique doit être exécuté **UNIQUEMENT** par un électricien qualifié en conformité avec le code de l'électricité en vigueur, NEC/ANSI/NFPA 70, NFPA 30 et NFPA 30A, comme il se doit en fonction de l'utilisation prévue de la pompe. Utiliser des conduits rigides filetés, des raccords étanches et du joint pour conducteurs. La pompe doit être correctement reliée à la terre. Une installation ou une utilisation incorrecte de cette pompe peut entraîner de blessures corporelles graves ou la mort!

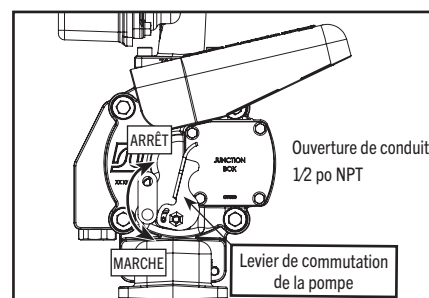
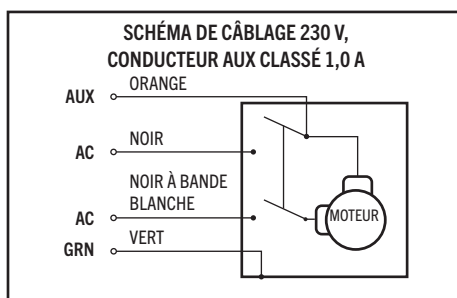
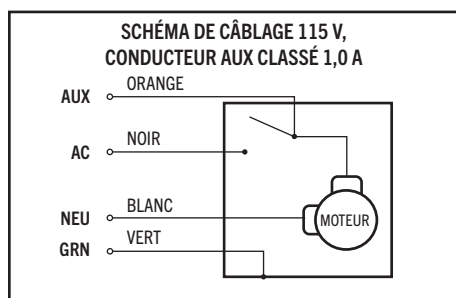


ATTENTION! La pompe doit être utilisée sous sa tension nominale, indiquée sur la plaque signalétique. L'alimentation doit être fournie à la pompe par l'intermédiaire d'un disjoncteur dédié de 20 A. Aucun autre appareil ne doit être alimenté par ce circuit électrique. Le câblage doit être de section suffisante pour transporter le courant nécessaire à la pompe. La chute de tension varie en fonction de la distance à la pompe et de la section du câble; voir les compensations de chute de tension dans le NEC (National Electric Code) ou dans les codes locaux et vérifier que le câble utilisé est de section correcte pour l'application.

Procédure de câblage



AVERTISSEMENT! Le conducteur « AUX » est **SOUS TENSION** lorsque l'interrupteur est en position de marche! Le conducteur « AUX » est isolé et enfermé à la livraison. **NE PAS** raccorder ce conducteur sans vérifier préalablement la compatibilité de la tension de ce conducteur avec le matériel à installer. Le courant maximal à travers ce conducteur est 1 A. Le conducteur « AUX » doit être isolé et enfermé dans la boîte de jonction s'il n'est pas utilisé.



1. Retirer le couvercle de la boîte de jonction électrique et redresser les conducteurs afin que les extrémités dénudées soient accessibles à l'extérieur de la boîte de jonction.
2. Raccorder les conducteurs de la pompe aux conduites d'alimentation électrique conformément au schéma. Veiller à bien isoler les raccordements au moyen de capuchons de connexion ou autres connecteurs adaptés. On notera que le conducteur de mise à la terre doit **IMPÉRATIVEMENT** être raccordé.
3. Remettre les conducteurs dans la boîte de jonction, vérifier le bon placement du joint, aligner le couvercle sur les trous de la boîte de jonction et remettre les vis en place. Serrer chaque vis à un couple de 10 ± 1 Nm (90 ± 9 po-lb).

IMPORTANT! S'assurer que le joint du couvercle est bien en place et que les vis serrent le couvercle sur la boîte de jonction. Il ne doit y avoir aucun espace entre la boîte de jonction et son couvercle.

AWG	LONGUEUR MAXIMALE DES CÂBLES M (PIEDS)													
	Fil massif							Fil toronné						
	16	14	12	10	8	6	4	16	14	12	10	8	6	4
115 Vca (moteur 60 Hz)	12 (39)	19 (62)	30 (99)	48 (158)	76 (250)	--	--	12 (38)	19 (61)	29 (96)	47 (154)	75 (245)	119 (389)	189 (620)
230 Vca (moteur 50 Hz)	57 (186)	90 (296)	144 (471)	229 (751)	--	--	--	55 (182)	88 (290)	140 (459)	223 (733)	--	--	--
230 Vca (moteur 60 Hz)	52 (170)	83 (271)	132 (432)	210 (689)	--	--	--	51 (167)	81 (265)	128 (421)	205 (672)	--	--	--

Mode d'emploi

1. Remettre le compteur à « 0 » (s'il y a lieu).
2. Sortir le pistolet de distribution de la gaine de pistolet.
3. Placer le levier de commutation en position « MARCHE » pour mettre la pompe sous tension.
4. Introduire le pistolet de distribution dans le contenant à remplir.
5. Actionner le pistolet pour distribuer le liquide; relâcher le pistolet lorsque la quantité souhaitée de liquide a été distribuée.
6. Ramener le levier de commutation en position « ARRÊT » pour arrêter la pompe.
7. Retirer le pistolet du contenant et le replacer dans son logement.



ATTENTION! Toujours garder le pistolet au contact du récipient à remplir durant le remplissage afin de minimiser le risque d'accumulation d'électricité statique.

Pose de la gaine de pistolet

La gaine de pistolet se monte au moyen des deux trous de vis inférieurs sur le côté de la gaine. Utiliser la visserie de fixation fournie pour monter la gaine de pistolet.

Lorsque la gaine est correctement montée, le pistolet est en position horizontale.

Liquides compatibles

Carburant diesel, essence, kérosène, essences minérales, solvants Stoddard et heptane

IMPORTANT! En cas de doute sur la compatibilité d'un liquide particulier, se renseigner auprès du fournisseur de liquide sur les possibles réactions indésirables avec les matériaux humides suivants : fonte, acier, acier zingué, acier inoxydable série 300, carbone, fluorocarbène, buna, acier inoxydable série 400, aluminium et phénoplaste.

Caractéristiques et informations techniques

Caractéristiques de conception :

- Admission : bonde : 2 po mâle NPT; tuyau d'aspiration - 1-1/4 po femelle NPT pour FR705VE / 705VEL / 715VE Bonde : 2 po mâle BSPT; tuyau d'aspiration - 1 po femelle BSPP.
- Refoulement : 3/4 po NPT (modèle FR700V / 701V) / 1 po NPT (modèle FR710V / 711V) pour refoulement FR705VE / 705VEL / 715VE.
- Corps de pompe en fonte, rotor en fer (composite) et palettes en carbone (composite).
- Modèle FR700V / 701V fourni avec un flexible de 3/4 po x 3,7 m (12 pi) homologué UL et un pistolet manuel.
- Modèle FR711V fourni avec un flexible de 1 po x 5,5 m (18 pi) homologué UL et un pistolet automatique.
- Sécurité : pompe équipée pour le cadenassage.
- Protection contre la surcharge thermique.
- Robuste commutateur d'alimentation.
- Cycle d'exploitation de 30 minutes.
- Moteur antidéflagrant homologué UL à roulements étanches sans entretien.
- Le clapet antiretour intégral à décharge de pression du côté refoulement empêche l'accumulation de pression et améliore la hauteur d'aspiration.
- Tamis facile d'accès.
- Soupape de dérivation automatique.
- Base taraudée de 2 po pour les ouvertures de citerne.
- Courant consommé en régime continu (facteur de surcharge de 1,0) :
 - 115 Vca 60 Hz – 5,5 A
 - 230 Vca 60 Hz – 2,4 A

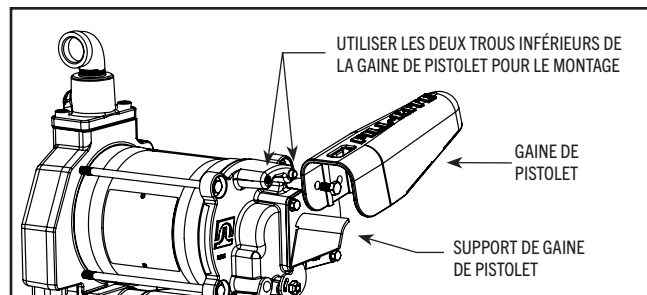
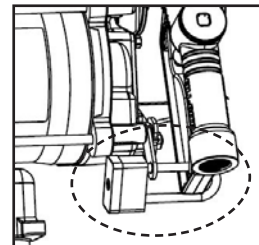
Homologations de sécurité

La gamme de pompes Fill-Rite a été testée pour vérifier sa conformité aux normes de sécurité établies par UL Laboratories.



Cadenassage

Le pistolet de la pompe Fill-Rite peut être cadenassé pour plus de sécurité. Une fois la pompe mise à l'arrêt et le pistolet en position rangée, un cadenas peut être placé à travers la patte de verrouillage et l'ouverture de la poignée du pistolet. Cette configuration empêche de pouvoir sortir le pistolet de la gaine.



Dimensions hors tout :

Modèle FR700V / 710V : (lxhxp)
359 mm x 300 mm x 292 mm (14,15 po x 11,825 po x 11,5 po).
Modèle FR701V : (lxhxp)
359 mm x 422 mm x 297 mm (14,15 po x 16,6 po x 11,675 po).
Modèle FR711V : (lxhxp)
387 mm x 409 mm x 358 mm (15,25 po x 16,1 po x 14,1 po).

Poids d'expédition :

FR700V : 24,5 kg (54 lb) / FR701V : 27,7 kg (61 lb) / FR710V : 24,5 kg (54 lb) / FR711V : 27,7 kg (61 lb)

Accessoires :

- Voir la liste complète des accessoires proposés à la page 8.

Données d'exploitation :

- Pression maximale 1,72 bar (25 psi) à la sortie de la pompe.
- Jusqu'à 75 litres (20 gallons) par minute.
- Pompe à liquide de viscosité maximale : carburant diesel n° 2.
- Température maximale d'exploitation de la pompe (ambiante) : 66 °C (150 °F).
- Température minimale d'exploitation de la pompe (ambiante) : -25 °C (-13 °F) (pour l'exploitation aux basses températures, nous conseillons le « pistolet arctique » et le « flexible arctique » à la section Accessoires à la page 8).
- Hauteur maximale d'aspiration : 3 m (10 pi) pour l'essence; 5,5 m (18 pi) pour le carburant diesel n° 2 (la hauteur d'aspiration est égale à la distance verticale entre la surface du liquide dans la citerne et l'admission de la pompe, MOINS les pertes de charge de frottement à travers les portions verticales et horizontales de tuyau, tous les coudes et autres raccords. Le système doit être configuré de manière à nécessiter un **minimum** de hauteur d'aspiration).

Accessoires

Une grande variété d'accessoires est proposée pour optimiser le fonctionnement de la pompe série FR700V. Les accessoires proposés pour ce produit particulier sont indiqués ci-dessous. S'adresser à un distributeur agréé Fill-Rite pour acheter les accessoires souhaités.

Réf. pièce	Description	FR700V	FR701V	FR710V	FR711V
1200KTF7018	Filtre de 19 mm (3/4 po) (particules)	X	X		
F1810PM0	Élément de filtre à particules de rechange	X	X		
1210KTF7019	Filtre de 19 mm (3/4 po) (Hydrosorb)	X	X		
F1810HM0	Élément de filtre Hydrosorb de rechange	X	X		
F4010PM0	Filtre de 25 mm (1 po) (particules 10 microns)			X	X
F4030PM0	Filtre de 25 mm (1 po) (particules 30 microns)			X	X
700ACCF7017	Tête de filtre 25 mm (1 po)			X	X
FRPA125	Trousse de montage sur socle/flot	X	X	X	X
KIT700AS	Trousse anti-siphonnage	X	X	X	X
FRH10012	Flexible 25 mm (1 po) (3,7 m / 12 pi)			X	X
FRH10014	Flexible 25 mm (1 po) (4,3 m / 14 pi)			X	X
700F1353	Flexible 25 mm (1 po) (5,5 m / 18 pi)			X	X
FRH07512	Flexible 19 mm (3/4 po) (3,7 m / 12 pi)	X	X		
FRH07514	Flexible 19 mm (3/4 po) (4,3 m / 14 pi)	X	X		
FRHMN075S	Pistolet 3/4 po, manuel, embout Sans plomb	X	X		
N075UAU10	Pistolet 3/4 po, automatique, embout Sans plomb	X	X		
N075DAU10	Pistolet 3/4 po, automatique, embout Diesel	X	X		
FRHMN100S	Pistolet 1 po, manuel, embout Plomb			X	X
N100DAU12	Pistolet 1 po à arrêt automatique (haut débit Diesel)			X	X
N100DAU13	Pistolet 1 po à arrêt automatique (très haut débit Diesel – gainage rouge)			X	X
N100DAU13G	Pistolet 1 po à arrêt automatique (très haut débit Diesel – gainage vert)			X	X
FRNA075DAU10	Pistolet 3/4 po à arrêt automatique (service arctique Diesel)	X	X		
FRNA100DAU00	Pistolet 1 po à arrêt automatique (service arctique Diesel)			X	X

Dépannage

Le guide de dépannage qui suit a pour objet d'offrir un diagnostic de base dans l'éventualité d'un fonctionnement anormal de ce produit Fill-Rite.

Pour toute question concernant l'installation, l'utilisation ou l'entretien du produit, communiquer avec notre service à la clientèle au 1-800-634-2695 (lun-ven, 8h00-17h00 HE). Nous sommes également joignables à www.fillrite.com.



AVERTISSEMENT! NE PAS ouvrir ni tenter de réparer le moteur de la pompe série FR700V. L'ouverture du carter de moteur peut compromettre l'intégrité de sa structure antidéflagrante et aura pour effet d'invalider toutes les garanties et certifications (UL) existantes. **Voir la déclaration de garantie à la page 2.**



AVERTISSEMENT! Avant toute réparation ou opération d'entretien, s'assurer que toute alimentation de la pompe a été coupée.

Dépannage (suite)

Symptôme	Cause	Solution
Fuite de liquide	1. Joint torique défectueux	Contrôler tous les joints toriques
	2. Joint d'arbre sale	Nettoyer le joint et son logement
	3. Joint d'arbre défectueux	Changer le joint
	4. Liquide incompatible	Soumettre la liste de pièces mouillées au fabricant du liquide
	5. Visserie desserrée	Resserrer la visserie
La pompe ne s'amorce pas	1. Problème de conduite d'aspiration	Vérifier l'étanchéité de la conduite d'aspiration
	2. Soupape de dérivation ouverte	Démonter et contrôler la soupape; elle doit bouger librement et être propre
	3. Palettes grippées	Vérifier l'absence d'entailles, ébarbures et usure des palettes et des rainures *
	4. Usure excessive du rotor ou des palettes	Voir si le rotor et les palettes présentent des dommages ou une usure excessive; les changer s'il y a lieu *
	5. Refoulement obstrué	Voir si le refoulement de la pompe, le flexible, le pistolet ou le filtre sont obstrués
	6. Bouchon de vapeur	Réduire la distance horizontale et verticale entre la pompe et le liquide; enlever le pistolet automatique
Capacité insuffisante	1. Trop de saleté dans le tamis	Déposer et nettoyer le tamis
	2. Problème de conduite d'aspiration	Vérifier l'absence de fuite et de restriction sur la conduite d'aspiration; celle-ci peut être trop petite, trop longue ou non étanche
	3. Soupape de dérivation grippée	Démonter et contrôler la soupape; elle doit bouger librement et être propre
	4. Palettes grippées	Contrôler l'usure des palettes et des rainures
	5. Usure excessive du rotor ou des palettes	Voir si le rotor et les palettes présentent des dommages ou une usure excessive; les changer s'il y a lieu *
	6. Flexible ou pistolet endommagé	Changer le flexible ou le pistolet
	7. Filtre colmaté	Changer le filtre
	8. Niveau de liquide insuffisant	Remplir la citerne
La pompe tourne lentement	1. Tension incorrecte	Contrôler la tension d'alimentation à l'entrée durant la marche de la pompe
	2. Palettes grippées	Vérifier l'absence d'entailles, ébarbures et usure des palettes et des rainures
	3. Problème de moteur	Vérifier le serrage des branchements
	4. Problème de moteur	Voir la déclaration de garantie
Le moteur cale	1. Soupape de dérivation grippée	Démonter et contrôler la soupape; elle doit bouger librement et être propre
	2. Tension insuffisante	Contrôler la tension d'alimentation à l'entrée durant la marche de la pompe
	3. Usure excessive du rotor ou des palettes	Voir si le rotor ou les palettes présentent des dommages ou une usure excessive *
	4. Débris dans la cavité de la pompe	Nettoyer les débris de la cavité de la pompe
Le moteur surchauffe	1. Pompage de fluides de viscosité élevée	Ces fluides ne peuvent être pompés que pendant de courtes périodes (cycle d'exploitation de moins de 30 minutes)
	2. Tamis colmaté	Démonter et nettoyer le tamis
	3. Restriction du tuyau d'aspiration	Démonter et nettoyer le tuyau
	4. Panne de moteur	Voir la déclaration de garantie
	5. Blocage du rotor de pompe	Nettoyer et contrôler le rotor et les palettes de la pompe
Le moteur ne fonctionne pas	1. Pas d'alimentation électrique	Contrôler l'entrée d'alimentation
	2. Défaillance de l'interrupteur	Voir la déclaration de garantie
	3. Panne de moteur	Voir la déclaration de garantie
	4. Défaillance de la protection thermique	Voir la déclaration de garantie
	5. Câblage incorrect ou desserré	Vérifier le câblage
La pompe ronfle mais ne fonctionne pas	1. Saleté dans la cavité de la pompe	Nettoyer la cavité de la pompe
	2. Panne de moteur	Voir la déclaration de garantie
	3. Clavette cassée	Retirer toutes les saletés et changer la clavette
	4. Tension insuffisante	Vérifier la tension du réseau à l'entrée durant la marche de la pompe

Le **texte en gras** indique les réparations ne pouvant pas être effectuées par le propriétaire; **voir les instructions dans notre déclaration de garantie à la page 2.**

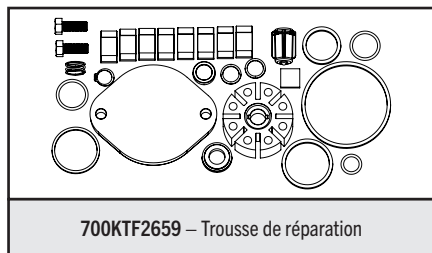
* Les réparations marquées d'un astérisque (*) nécessitent la trousse de réparation n° 700KF2689. Cette trousse comprend un rotor de rechange et des palettes neuves ainsi qu'un certain nombre de joints et composants importants nécessaires à la réparation. Les détails de cette trousse figurent à la page 10.

Information sur les pièces de rechange

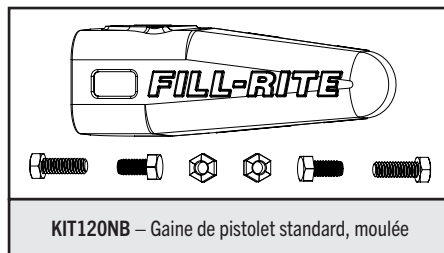
Fill-Rite propose toutes les pièces nécessaires pour les réparations et l'entretien courant. Le diagramme et la liste de pièces ci-dessous couvrent toutes les pièces pertinentes pour le produit Fill-Rite. Ces pièces s'obtiennent auprès de tout concessionnaire Fill-Rite agréé. Veiller à utiliser uniquement des pièces de rechange Fill-Rite d'origine pour les besoins de l'entretien et des réparations. Voir la liste des concessionnaires agréés sur notre site Web à www.fillrite.com.



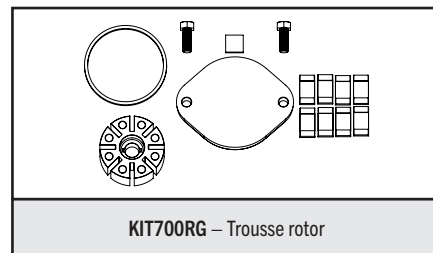
AVERTISSEMENT! NE PAS ouvrir ni tenter de réparer le moteur de la pompe série FR700V. L'ouverture du carter de moteur peut compromettre l'intégrité de sa structure antidéflagrante et aura pour effet d'invalider toutes les garanties et certifications (UL) existantes. Voir la déclaration de garantie à la page 2.



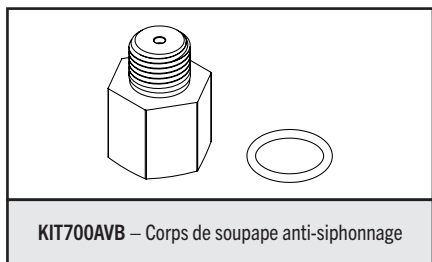
KIT700KF2659 – Trousse de réparation



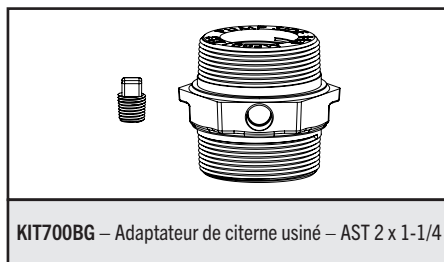
KIT120NB – Gaine de pistolet standard, moulée



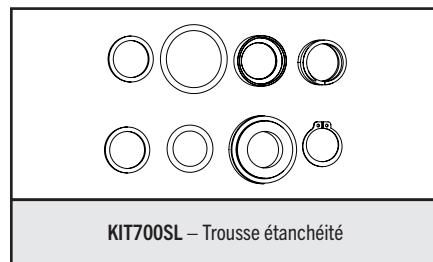
KIT700RG – Trousse rotor



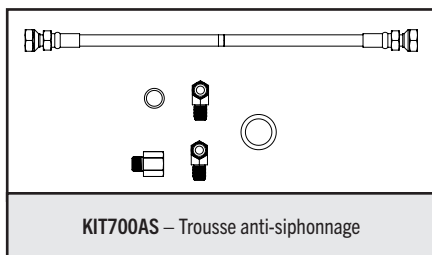
KIT700AVB – Corps de soupape anti-siphonnage



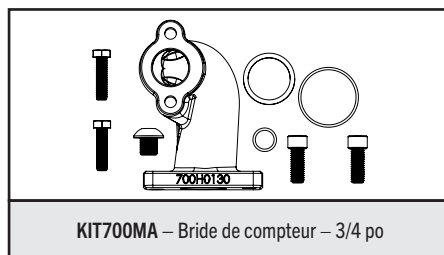
KIT700BG – Adaptateur de citerne usiné – AST 2 x 1-1/4



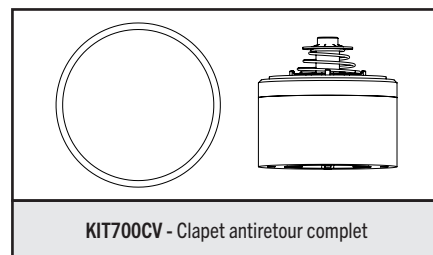
KIT700SL – Trousse étanchéité



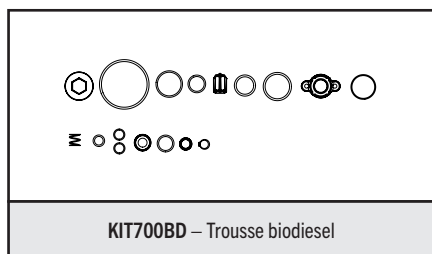
KIT700AS – Trousse anti-siphonnage



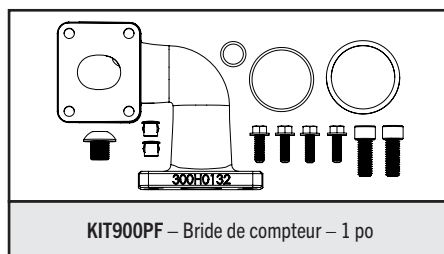
KIT700MA – Bride de compteur – 3/4 po



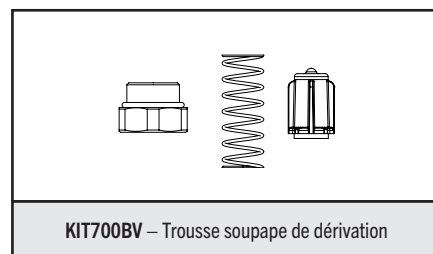
KIT700CV – Clapet antiretour complet



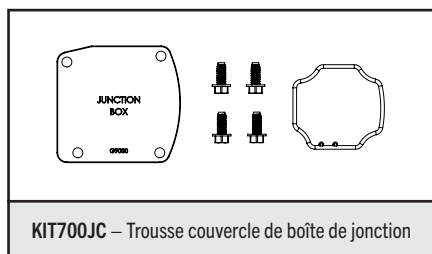
KIT700BD – Trousse biodiesel



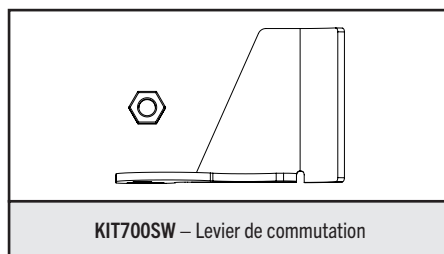
KIT900PF – Bride de compteur – 1 po



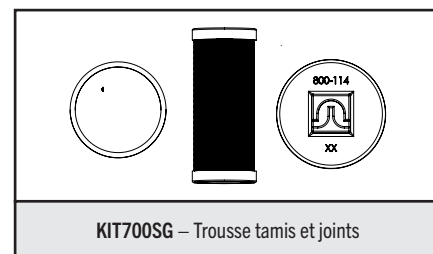
KIT700BV – Trousse soupape de dérivation



KIT700JC – Trousse couvercle de boîte de jonction



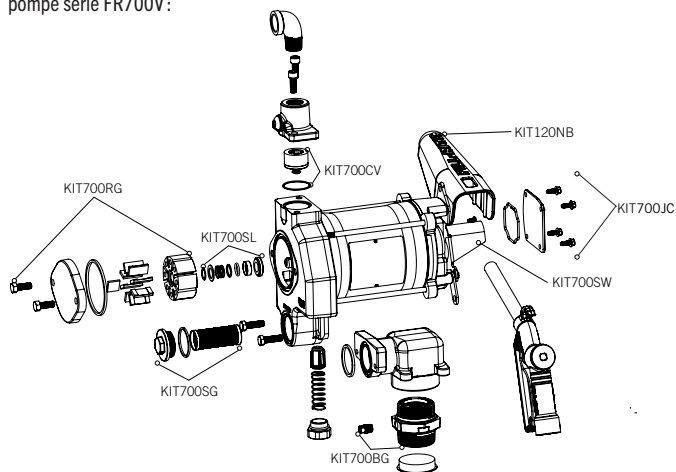
KIT700SW – Levier de commutation



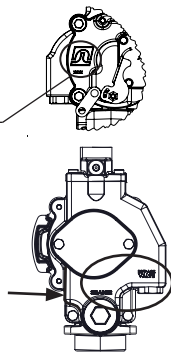
KIT700SG – Trousse tamis et joints

Liste des pièces FR700V / FR701V / FR710V / FR711V

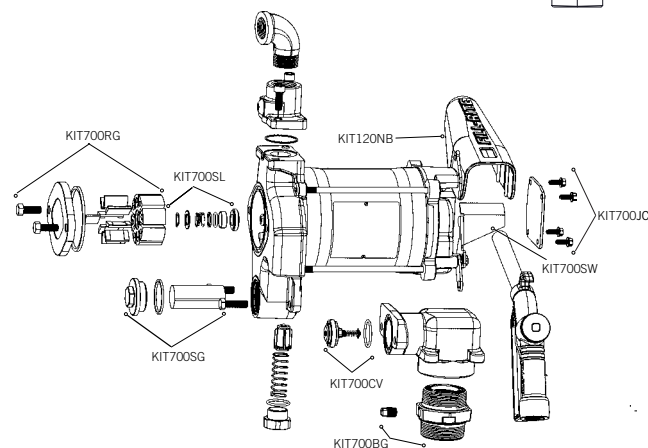
Les indications visuelles suivantes permettent de déterminer le modèle particulier de la pompe série FR700V :



Examiner le côté du corps de pompe qui comporte le levier de commutation et la gaine de pistolet. Il y a un logo Tuthill gravé dans la fonte. En dessous se trouve un code de date. Si le code de date n'a que 4 caractères ou chiffres, il s'agit de l'ancien modèle.

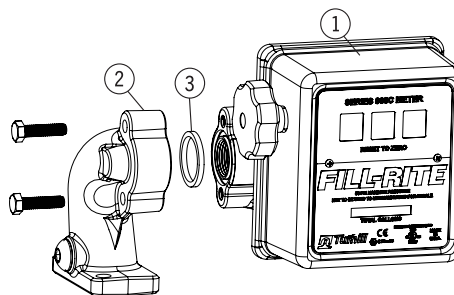
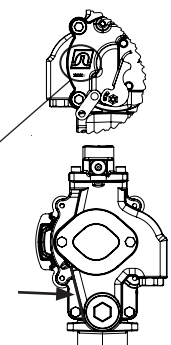


En outre, l'autre côté du corps de pompe n'a pas de bords inclinés et comporte les termes « Strainer » et « Bypass Valve » gravés directement dans la fonte. Si la pompe correspond à ces descriptions, le clapet antiretour se trouve sur le côté refoulement de la pompe. Elle utilise également la plus longue des deux crépines fournies avec la trousse KIT700SG.



Examiner le côté du corps de pompe qui comporte le levier de commutation et la gaine de pistolet. Il y a un logo Tuthill gravé dans la fonte. En dessous se trouve un code de date. Si le code de date a 5 caractères et se termine par la lettre B, il s'agit du nouveau modèle.

En outre, l'autre côté du corps de pompe a des bords inclinés et ne comporte aucun texte gravé dans la fonte. Si la pompe correspond à ces descriptions, le clapet antiretour se trouve sur le côté admission de la pompe. Elle utilise également la plus courte des deux crépines fournies avec la trousse KIT700SG.



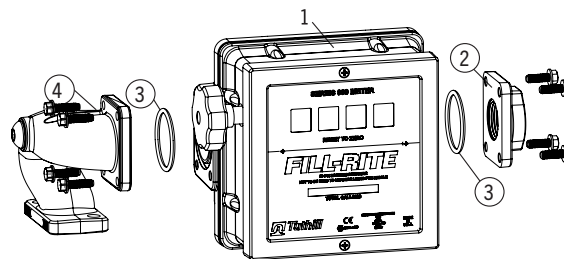
Liste des pièces FR701V

La configuration FR701V compte en plus un compteur mécanique série 807C, une bride d'entrée de compteur, une bride de sortie compteur, la visserie de fixation associée et des joints. Cet ensemble est proposé avec comptage en gallons ou en litres.

Rep.	Réf. pièce / trousse	Description	Qté
1	807C	Compteur 807C (gallon)	1
2	701H0934	Bride de compteur	1
3		Joint, nitrile usiné au tour	1
1	807CL	Compteur 807CL (litre)	1

Liste des pièces FR710V

Rep.	Réf. pièce / trousse	Description	Qté
1	700H0128	Bride de sortie 1 po	1



Liste des pièces FR711V

La configuration FR711V compte en plus un compteur mécanique série 901C, une bride d'entrée de compteur, une bride de sortie compteur, la visserie de fixation associée et des joints. Cet ensemble est proposé avec comptage en gallons ou en litres.

Rep.	Réf. trousse gallon	Description	Réf. trousse litre	Qté
1	901C	Compteur 901C (gallon)	--	1
2	Compteur 900 (gallon) Réf. 901CMK300V	Bride de compteur	Compteur 900 (litre) Réf. 901CLMK300V	1
3		Joint de compteur		2
4		Raccord de compteur de 1 po		1
1	--	Compteur 901CL (litre)	901CL	1

ATTENTION!

L'information ci-dessous concerne les pompes et compteurs à suffixe « E » (conçus pour une utilisation en dehors des États-Unis et du Canada). Voir l'étiquette d'information apposée sur votre pompe pour voir si cela s'applique.

Matériaux de fabrication

Les matériaux de fabrication de la surface extérieure de l'appareil sont les suivants : acier peint, fonte peinte, aluminium peint, acier zingué.

Les matériaux de fabrication des pièces humides sont les suivants : fonte, acier, acier zingué, acier inoxydable série 300, carbone, fluorocarbène, buna, acier inoxydable série 400, aluminium, phénoplaste, polyester thermoplastique, polybutylène téréphthalate et cuivre.

Réparation et entretien

Communiquer avec le lieu d'achat concernant les réparations et l'entretien sous garantie

Conditions particulières d'utilisation

1. Consulter le fabricant pour obtenir les données dimensionnelles des joints antidéflagrants.
2. Utiliser des vis à tête hexagonale M6 de classe ISO 8.8 (limite d'élasticité 640 MPa) à la place des vis du couvercle de bornier de série FR700V.
3. Utiliser des vis à tête hexagonale M8 de classe ISO 10.9 (limite d'élasticité 940 MPa) à la place des vis de tirant de moteur de la série FR700V.
4. Un flexible et un pistolet conduisant l'électricité doivent être utilisés avec les liquides inflammables. Pour minimiser l'accumulation d'électricité statique, toujours tenir le pistolet au contact du contenant en cours de remplissage.

Installation

La pompe doit être installée en conformité avec EN-60079-14 ou CEI 60079-14, selon le cas.



II 2 G
Ex db h IIA T4 Gb
FM19ATEX0019X
IECEx FMG19.0013X
Ex db IIA T4 Gb

Des certificats de conformité pour la sécurité ont été obtenus auprès des organismes suivants pour les produits vendus en dehors des États-Unis et du Canada. Voir les données de conformité particulières du produit considéré sur son étiquette.

Les normes suivantes ont été utilisées pour établir la conformité dans l'Union européenne :

EN CEI 60079-0:2018 7e éd. « Atmosphères explosives – Partie 0 : Matériel – Exigences générales ».

EN 60079-1:2014 7e éd. « Atmosphères explosives – Partie 1 : Protection du matériel par enveloppes antidéflagrantes « d » ».

EN ISO 80079-36:2016 1ère éd. « Atmosphères explosives - Partie 36 : Appareils non électriques destinés aux atmosphères explosives - Prescriptions et méthodologie ».

EN ISO 80079-37:2016 1ère éd. « Atmosphères explosives - Partie 37 : Appareils non électriques destinés aux atmosphères explosives - Mode de protection non électrique par sécurité de construction « c », par contrôle de la source d'inflammation « b », par immersion dans un liquide « k » ».

Directive 2014/34/UE – Appareils et systèmes de protections destinés à être utilisés en atmosphères explosibles.

Directive 2011/65/UE – Limitation de l'utilisation de certaines substances dangereuses dans les équipements électriques et électroniques.

Les normes suivantes ont été utilisées pour établir la conformité à la certification IECEx :

CEI 60079-0:2017, 7e éd.

CEI 60079-1:2014, 7e éd.

Segurança



2809



Tuthill Corporation
8825 Aviation Drive
Fort Wayne, Indiana 46809 États-Unis

T (800) 634-2695
(+01) 260-747-7524
F (800) 866-4681

tuthill.com | fillrite.com | soter.com

FILL-RITE®

BOMBAS DE TRANSFERENCIA DE COMBUSTIBLE SERIE FR700V

Manual de instalación y operación



Contenido

Política de garantía.....2

Información de seguridad3

Instalación3

Dispositivo antisifón5

Cableado eléctrico.....6

Procedimiento de cableado.....6

Instrucciones de operación.....7

Aprobaciones de pruebas de seguridad7

Uso de candado.....7

Compatibilidad de líquidos.....7

Información técnica y especificaciones7

Accesorios8

Solución de problemas.....8

Información sobre repuestos.....10

Lista de piezas de FR700V / FR701V / FR710V / FR711V11

Información de modelo FR700VE.....12

¡Gracias!

Gracias por su lealtad con la marca Fill-Rite® de bombas de transferencia de combustible. Su seguridad es importante, por eso lea y entienda completamente los procedimientos expuestos en este manual. Además, guarde estas instrucciones para futura referencia y registre el modelo, número de serie y fecha de compra de su bomba de transferencia de combustible. Protéjase y proteja a quienes lo rodean y acate todas las instrucciones de seguridad y respete todos los símbolos de peligro, advertencia y precaución. Registre su producto Fill-Rite® en info.tuthill.com/product_registration

POLÍTICA DE DEVOLUCIÓN IMPORTANTE

No devuelva este producto a la tienda. Para todas las preguntas sobre garantía y productos, comuníquese con Servicio al Cliente de Tuthill al 1-800-634-2695 (lunes a viernes, 8 a. m. a 6 p. m., hora estándar del este u horario de verano del este).

N.º DE MODELO	
N.º DE SERIE	
FECHA DE COMPRA:	



Política de garantía limitada

Tuthill Fort Wayne garantiza que los productos manufacturados no presentarán defectos de materiales ni de fabricación. Puede encontrar detalles específicos de las garantías para productos individuales en fillrite.com.

Acerca de este manual

Desde el concepto y el diseño inicial hasta el producto final, su bomba Fill-Rite se fabrica para darle años de servicio sin ningún problema. Para garantizar que proporcione dicho servicio, es fundamental que lea por completo este manual antes de intentar instalar y operar su nueva bomba. Familiarícese con los términos y diagramas, y preste mucha atención a las áreas destacadas con las siguientes etiquetas:



¡ADVERTENCIA! Destaca un área en que puede que se produzcan lesiones corporales e incluso la muerte si no se siguen las instrucciones de manera adecuada. También se pueden producir daños mecánicos.



¡PRECAUCIÓN! No prestar atención al aviso de "Precaución" podría provocar daños al equipo.

¡IMPORTANTE! Estos cuadros contienen información que ilustra un punto que podría ahorrar tiempo, ser clave para la operación adecuada o que aclara un paso.

En Tuthill, su satisfacción con nuestros productos es primordial. Si tiene cualquier duda o necesita asistencia con nuestros productos, comuníquese con nosotros al 1-800-634-2695 (Lunes a viernes de 8:00 a. m. a 6:00 p. m., hora del Este).

Información de seguridad



¡ADVERTENCIA! El cableado eléctrico SOLO debe realizarlo un electricista con licencia que cumpla los códigos de electricidad locales, estatales y nacionales NEC/ANSI/NFPA 70, NFPA 30 y NFPA 30A, según corresponda para el uso que se le dará a la bomba. Se deben utilizar conductos rígidos roscados, conectores sellados y sellos de conductor. La bomba debe estar debidamente conectada a tierra. La instalación o el uso incorrectos de esta bomba pueden provocar lesiones graves o la muerte.

1. ¡NUNCA fume cerca de la bomba ni la utilice cerca de una llama mientras bombea un líquido inflamable! Se puede producir un incendio.
2. En el orificio de salida de la bomba se debe usar un filtro "Fill-Rite" para garantizar que ningún material extraño se transfiera al tanque de combustible.
3. Las juntas de tuberías roscadas y las conexiones se deberían sellar con un sellador adecuado o cinta selladora para minimizar las posibilidades de filtraciones.
4. Los tanques de almacenamiento deben estar correctamente anclados para evitar su desplazamiento o volcamiento cuando estén llenos o vacíos.
5. Para minimizar la acumulación de electricidad estática, utilice solo una manguera conductora de cableado estático cuando bombee líquidos inflamables y mantenga la boquilla llena en contacto con el recipiente que se esté llenando durante el proceso de llenado.
6. El motor de la bomba está equipado con protección de sobrecarga térmica; si se sobrecalienta, el motor se apagará para evitar daños en los devanados. Si esto sucede, ¡APAGUE LA BOMBA! Cuando el motor se enfríe, se reiniciará sin advertir si la energía está encendida.



¡ADVERTENCIA! Este producto no se debe utilizar para transferir líquidos a ningún tipo de aeronave.



¡ADVERTENCIA! Este producto no es apto para su uso con líquidos destinados al consumo humano o líquidos que contengan agua.

Instalación

La bomba Fill-Rite serie FR700V está diseñada para ofrecer diferentes configuraciones de montaje. Se puede montar en un tanque sobre patines con el adaptador de tanque proporcionado con la bomba (consulte los diagramas adjuntos) o se puede montar en una isla de concreto con el adaptador de soporte opcional (disponible por medio de su distribuidor de Fill-Rite). Sin importar el estilo de montaje, todos los tanques deben tener una ventilación adecuada.

La bomba de la serie FR700V cuenta con una válvula de retención incorporada para reducir la presión excesiva no segura de la expansión térmica del líquido. Además posee una válvula de recirculación integral que ayuda a minimizar el desgaste cuando la bomba funciona con la boquilla cerrada.

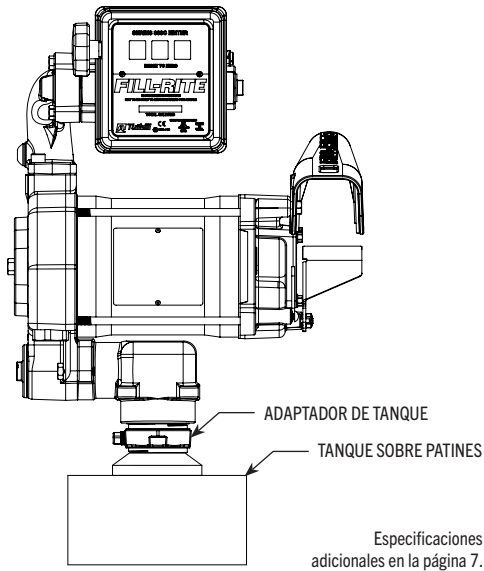


¡PRECAUCIÓN! No utilice válvulas de retención o de contención adicionales, a menos que éstas tengan incorporada una válvula de alivio de presión adecuada. Tenga en cuenta que las válvulas de retención adicionales reducirán la velocidad del flujo.



¡PRECAUCIÓN! Las juntas de tuberías roscadas y las conexiones se deberían sellar con un sellador adecuado o cinta selladora para minimizar las posibilidades de filtraciones.

INSTALACIÓN DEL TANQUE SOBRE PATINES



Instalación típica del tanque sobre patines

Materiales

- Tubería de 1-1/4 pulg. cortada a un largo que se extienda dentro de 76 mm (3 pulg.) del fondo del tanque cuando se atornilla en el adaptador de este, el que a su vez se atornilla en la brida del tanque (consulte el diagrama INSTALACIÓN DEL TANQUE SOBRE PATINES).
- Sellador de junta de tubería roscada adecuado para la aplicación.
- Compuesto antiagarrotamiento para roscas.

Procedimiento de instalación

1. Enrosque la tubería de 1-1/4 pulg. en el adaptador del tanque. Selle las roscas para impermeabilizarlas con un sellador apropiado.
2. Aplique un compuesto antiagarrotamiento para roscas en las roscas externas de la parte inferior del adaptador de tapón. Atornille el adaptador al tanque en la brida del tanque.
3. Monte la bomba en el adaptador, selle las roscas para impermeabilizarlas con un sellador apropiado.
4. Fill-Rite recomienda la instalación de un dispositivo antisifón (consulte la página 5 para obtener información detallada).

Instalación típica de "isla"

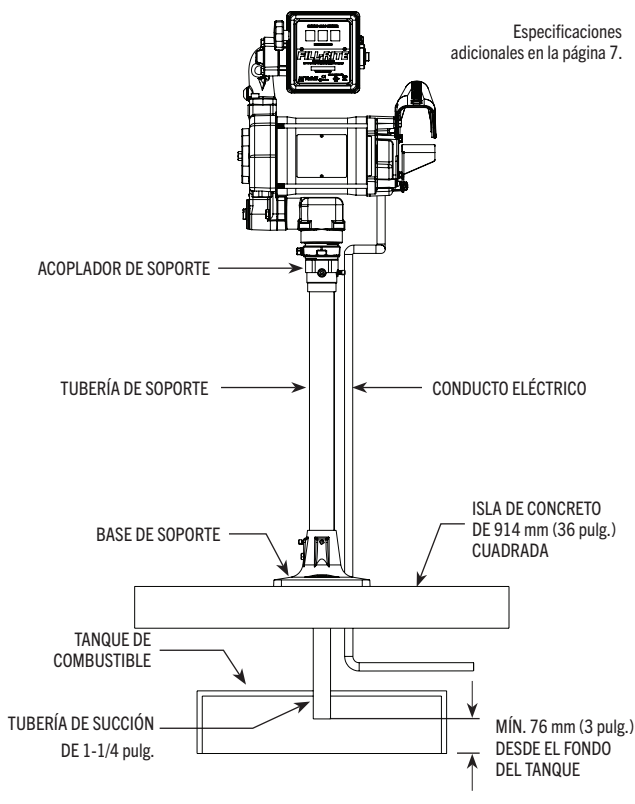
Materiales

- Tubería de succión roscada de 1/4 pulg. cortada para que se extienda 825 mm (32-1/2 pulg.) sobre la isla.
- Kit de soporte FRPA125 (incluye la tubería, la base y el acoplador del soporte).
- Sellador de junta de tubería roscada adecuado para la aplicación.

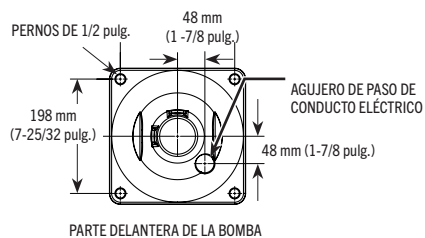
Procedimiento de instalación

1. Retire el acoplador desde la tubería de soporte soltando los tornillos de fijación.
2. Deslice el conjunto de tubería de soporte/base de la bomba sobre la tubería de succión de 1-1/4 pulg.
3. Suelte los tornillos en la base de la bomba para permitir que la tubería de soporte se deslice y exponga el extremo de la tubería de succión.
4. Atornille el acoplador en la tubería de succión, selle las roscas para impermeabilizarlas con un sellador apropiado.
5. Deslice la tubería de soporte en el acoplador y apriete los tornillos de fijación.
6. Apriete los tornillos en la base de la bomba.
7. Monte la bomba en el acoplador, selle las roscas para impermeabilizarlas con un sellador apropiado.

INSTALACIÓN TÍPICA DE SOPORTE / ISLA



DISEÑO DE LOS PERNOS DE ANCLAJE DE LA BASE





¡PRECAUCIÓN! Las juntas de tuberías roscadas y las conexiones se deberían sellar con un sellador adecuado o cinta selladora para minimizar las posibilidades de filtraciones.

Dispositivo antisifón

La bomba FR700V viene lista de fábrica para instalar un tubo antisifón de vuelta al tanque. Un dispositivo antisifón (también conocido como igualador de presión) es importante debido a que romperá un sifón de líquido si hay una boquilla abierta o una manguera con filtraciones bajo el nivel del líquido en el tanque al apagar la bomba. Fill-Rite recomienda instalar un kit antisifón n.º KIT700AS desde la salida de la bomba de vuelta al espacio para el vapor en el tanque.

Esta ilustración muestra dónde instalar el tubo de manera que termine en el espacio para el vapor en la parte superior del tanque. El tubo debe terminar en el espacio para el vapor; si termina bajo el nivel del líquido en el tanque, no prevendrá el sifonaje. Es muy importante que no haya dispositivos de retención de líquido en la tubería; debe tener una pendiente continua hacia abajo desde la bomba al tanque y se puede conectar en cualquier abertura en la parte superior del tanque, si no se usa el adaptador del tanque. Utilice codos dobles reductores según sea necesario para ajustar y sellar de manera apropiada.

La abertura de 1/4 pulg. NPT en el lado del adaptador del tanque termina en el espacio para el vapor del tanque. Realice conexiones impermeables con el sellador adecuado desde el adaptador hasta el tubo de salida antisifón, con un mínimo de tubería metálica de 1/4 pulg. que sea compatible con cualquier líquido que se esté bombeando. Si se está utilizando el adaptador de tanque antisifón y no se está utilizando la abertura de 1/4 pulg. NPT para la tubería, deje el tapón instalado de fábrica en su lugar.

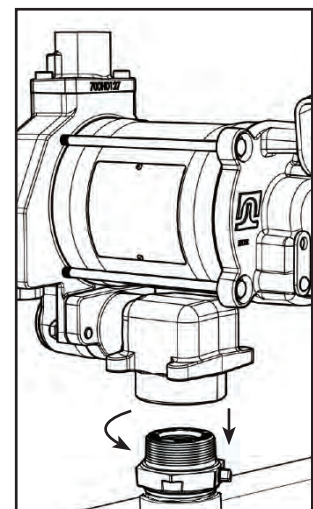
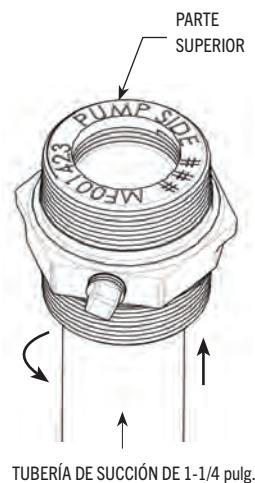
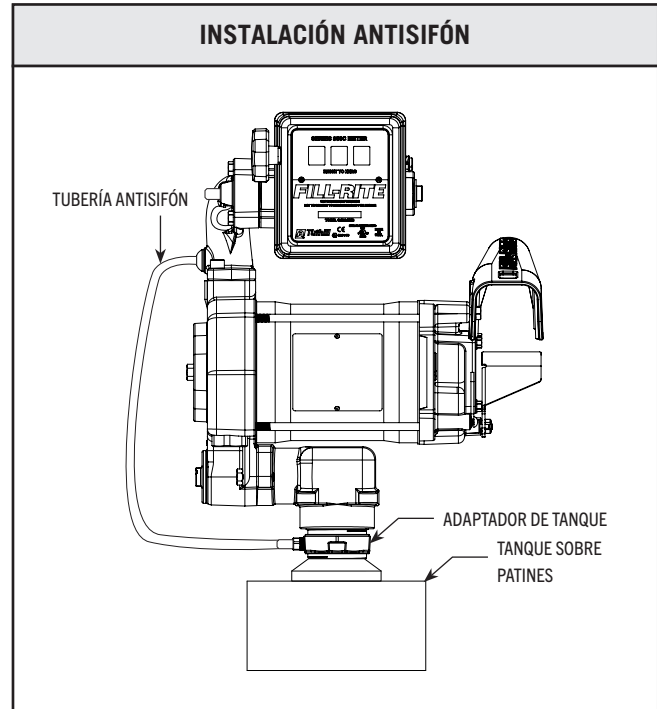
Fill-Rite ofrece el kit antisifón N° KIT700AS (disponible por medio de su distribuidor Fill-Rite). El kit contiene los conectores y las tuberías necesarios para completar la instalación como se muestra en las imágenes de esta sección y suministrar su propia tubería antisifón. NOTA: Este kit SOLO sirve para instalaciones de kit adaptador sobre el tanque.

Si no usa el kit KIT700AS, necesitará el kit KIT700AVB. Esto le permitirá conectar una tubería al tanque o al adaptador de tapón.

Montaje e instalación de la tubería de succión y el adaptador de tapón

Las bombas de la serie FR700V cuentan con un adaptador de tapón de 2 pulg. con una conexión incorporada para un dispositivo antisifón. Cuando instale la tubería de succión en el adaptador de tapón, la tubería de succión se debe insertar correctamente en el adaptador de tapón para un funcionamiento correcto. La tubería de succión se enrosca en el adaptador del tanque y se debe cortar de un largo tal que se ubique a una distancia de al menos 76 mm (3 pulg.) del fondo del tanque.

1. Mida y corte la tubería de succión para que encaje como se describió anteriormente.
2. Examine el adaptador de tapón para determinar la parte superior y la inferior para insertar correctamente la tubería de succión. El adaptador de tapón está etiquetado para ayudarlo: el extremo marcado "PUMP SIDE" (Lado de la bomba) es la parte superior del adaptador de tapón. Tenga en cuenta que las roscas internas de la tubería de succión están en la parte SUPERIOR de la abertura, pero la tubería de succión se inserta a través de la abertura inferior.
3. Envuelva las roscas de la tubería de succión con el sellador adecuado para el líquido que se bombea. Inserte la tubería de succión (con el lado roscado hacia arriba) en la parte inferior del adaptador de tapón hasta que se enganchen las roscas.
4. Apriete el tubo de succión en el adaptador de tapón para crear un sello hermético.
5. Aplique un compuesto antiagarrotamiento para roscas en las roscas externas de la parte inferior del adaptador de tapón. Instale el adaptador de tapón y la tubería de succión montados en la abertura para tapón del tanque. Apriete para generar un sello hermético.
6. Instale la bomba en el adaptador de tapón con un sellador líquido adecuado y apriete para generar un sello hermético.



Cableado eléctrico



¡ADVERTENCIA! El cableado eléctrico **SOLO** debe realizarlo un electricista con licencia que cumpla los códigos de electricidad locales, estatales y nacionales NEC/ANSI/NFPA 70, NFPA 30 y NFPA 30A, según corresponda para el uso que se le dará a la bomba. Se deben utilizar conductos rígidos roscados, conectores sellados y sellos de conductor. La bomba debe estar debidamente conectada a tierra. La instalación o el uso incorrectos de esta bomba pueden provocar lesiones graves o la muerte.

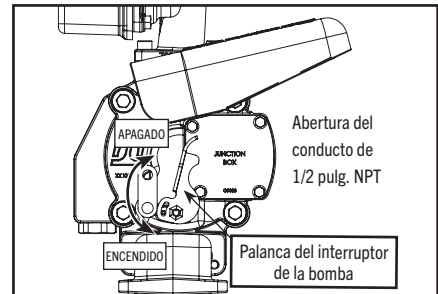
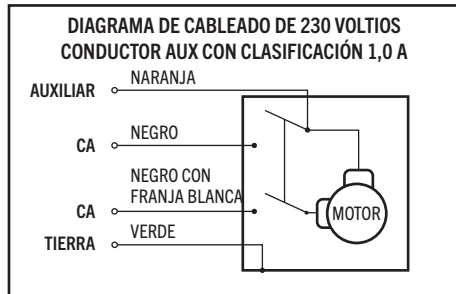
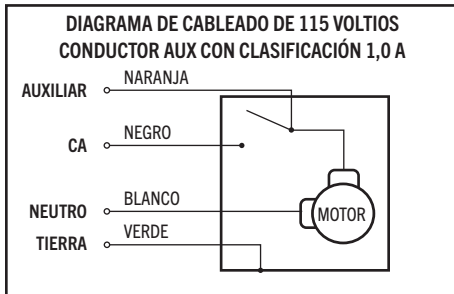


¡PRECAUCIÓN! Todas las bombas deben funcionar al voltaje nominal de la placa de identificación. Se debe suministrar energía a la bomba desde un disyuntor de 20 amperios. Este circuito no debe alimentar a ningún otro equipo. Los cables deben tener el calibre suficiente para transportar la corriente adecuada para la bomba. La caída de voltaje variará con la distancia a la bomba y el calibre del cable. Consulte el National Electrical Code (NEC) o los códigos locales para obtener información sobre la compensación de caídas de voltaje y asegurarse de que está utilizando un cableado del calibre correcto para su aplicación.

Procedimiento de cableado



¡ADVERTENCIA! ¡El cable "AUX" ES UN CABLE CARGADO cuando el interruptor está en posición de encendido! El hilo de plomo conductor "AUX" se aísla y se cierra para el envío. **NO** conecte este cable sin antes verificar que el voltaje de línea "Encendido" del cable para confirmar la compatibilidad con el equipo que se instalará. El amperaje máximo de este cable es 1 amperio. El cable "AUX" se debe aislar y guardar en la caja de conexiones si no se utiliza.



1. Retire la cubierta de la caja de conexiones y enderece los cables para asegurarse de que se puede tener acceso a los extremos de los cables pelados fuera de la caja de conexiones.
2. Conecte los cables de la bomba a las tuberías de suministro de energía según el diagrama. Asegúrese de aislar correctamente las conexiones con tuercas para hilos u otros conectores adecuados. Tenga en cuenta que el conductor de tierra **DEBE** estar conectado.
3. Vuelva a introducir los cables en la caja de conexiones, verifique la correcta colocación de la junta, alinee la cubierta con los orificios de la caja de conexiones y vuelva a instalar los tornillos. Apriete cada tornillo a 10 ± 1 Nm (90 ± 9 lb-pulg.)

¡IMPORTANTE! Asegúrese de que la junta de la cubierta está en su lugar y que los tornillos bajen firmemente la cubierta sobre la caja de conexiones. No deba haber separación entre la caja de conexiones y su cubierta.

AWG	LONGITUD MÁXIMA DEL CABLE M (PIES)													
	Cable sólido							Cable trenzado						
	16	14	12	10	8	6	4	16	14	12	10	8	6	4
115 V CA (motor de 60 Hz)	12 (39)	19 (62)	30 (99)	48 (158)	76 (250)	--	--	12 (38)	19 (61)	29 (96)	47 (154)	75 (245)	119 (389)	189 (620)
230 V CA (motor de 50 Hz)	57 (186)	90 (296)	144 (471)	229 (751)	--	--	--	55 (182)	88 (290)	140 (459)	223 (733)	--	--	--
230 V CA (motor de 60 Hz)	52 (170)	83 (271)	132 (432)	210 (689)	--	--	--	51 (167)	81 (265)	128 (421)	205 (672)	--	--	--

Instrucciones de operación

1. Restablezca el medidor en "0" (si corresponde).
2. Retire la boquilla dispensadora de la envoltura de la boquilla.
3. Mueva la palanca del interruptor a la posición "ENCENDIDO" para impulsar la bomba.
4. Inserte la boquilla dispensadora en el recipiente que se llenará.
5. Opere la boquilla para dispensar el líquido; suelte la boquilla cuando haya dispensado la cantidad deseada de líquido.
6. Mueva la palanca del interruptor a la posición "APAGADO" para detener la bomba.
7. Retire la boquilla de dispensación del recipiente y colóquela en la envoltura de la boquilla.



¡PRECAUCIÓN! Mantenga siempre la boquilla en contacto con el recipiente que se esté llenando durante el proceso de llenado para reducir la posibilidad de acumulación de electricidad estática.

Instalación de la envoltura de boquilla

La envoltura de boquilla se instala a través de los dos orificios para tornillos inferiores en el lado de la envoltura. Use las piezas metálicas de fijación proporcionadas para instalar la envoltura de boquilla.

Cuando la boquilla se monte correctamente estará en posición horizontal.

Compatibilidad con líquidos

Combustible diésel, gasolina, keroseno, alcoholes minerales, solventes Stoddard y heptano

IMPORTANTE Si tiene dudas sobre la compatibilidad de líquidos específicos, comuníquese con el proveedor del líquido para verificar cualquier reacción adversa con los siguientes materiales húmedos: fundición de hierro, acero, acero cincado, acero inoxidable serie 300; carbono; fluorocarburo; buna; acero inoxidable serie 400; aluminio y fenólico.

Información técnica y especificaciones

Características del diseño:

- Entrada: Tapón: 2 pulg. NPT macho; tubería de succión 1-1/4 pulg. NPT hembra para FR705VE / 705VEL / 715VE Tapón: 2 pulg. BSPT macho; tubería de succión 1 pulg. BSPP hembra.
- Salida: 3/4 pulg. NPT (modelos FR700V / 701V) / 1 pulg. NPT (modelos FR710V / 711V) para salida FR705VE / 705VEL / 715VE.
- Carcasa de la bomba de fundición de hierro: rotor (compuesto) de hierro y paletas (compuestas) de carbono.
- Modelos FR700V / 701V proporcionados con boquilla manual y manguera de 3/4 pulg. x 3,7 m (12 pies) de la lista UL.
- Modelo FR711V proporcionado con boquilla automática y manguera de 1 pulg. x 5,5 m (18 pies) de la lista UL.
- Seguridad: Bomba equipada para uso de candado.
- Protección de sobrecarga térmica.
- Interruptor para trabajos pesados.
- Ciclo de trabajo de 30 minutos.
- Motor a prueba de explosión, de la lista UL con cojinetes sellados que no necesitan mantenimiento.
- Válvula de retención integral con alivio de presión en el lado de salida que impide la acumulación de presión y mejora la elevación vertical.
- Filtro de fácil acceso.
- Válvula de recirculación automática.
- Base roscada de 2 pulg. para aberturas del tanque.
- Consumo de amperios constante (factor de servicio de 1,0):
 - 115 V CA 60 Hz – 5,5 A
 - 230 V CA 60 Hz – 2,4 A

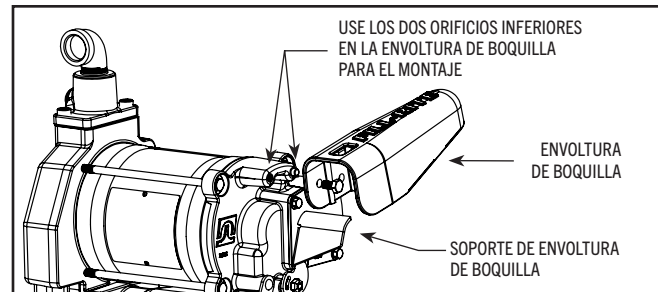
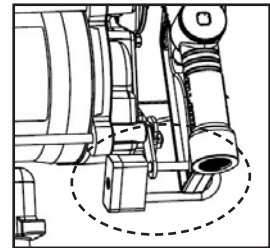
Aprobaciones de pruebas de seguridad

La línea de bombas Fill-Rite ha pasado pruebas de seguridad para cumplir los estándares establecidos por Underwriters Laboratories (UL).



Uso de candado

Para mayor seguridad, la boquilla de su bomba Fill-Rite se puede cerrar con un candado. Cuando la bomba está apagada, y la boquilla está en la posición de almacenamiento, se puede insertar un candado en la conexión de la cerradura y la abertura del gatillo de la boquilla. Esta configuración evita que se pueda retirar la boquilla de su cubierta.



Dimensiones generales:

Modelos FR700V / 710V: 359 mm de ancho x 300 mm de alto x 292 mm de profundidad (14,15 pulg. x 11,825 pulg. x 11,5 pulg.).

Modelo FR701V: 359 mm de ancho x 422 mm de alto x 297 mm de profundidad (14,15 pulg. x 16,6 pulg. x 11,675 pulg.).

Modelo FR711V: 387 mm de ancho x 409 mm de alto x 358 mm de profundidad (15,25 pulg. x 16,1 pulg. x 14,1 pulg.).

Peso de envío:

FR700V: 24,5 kg (54 lb) / FR701V: 27,7 kg (61 lb) / FR710V: 24,5 kg (54 lb) / FR711V: 27,7 kg (61 lb)

Accesorios:

- Consulte la página 8 para ver una lista completa de accesorios disponibles.

Rendimiento:

- 1,72 bar (25 psi) presión máxima en la salida de la bomba.
- Hasta 75 litros (20 galones) por minuto.
- Bomba de líquido con viscosidad máxima: Combustible diésel n.º 2.
- Temperatura de funcionamiento máxima de la bomba (ambiente): 66 °C (150 °F).
- Temperatura de funcionamiento mínima de la bomba (ambiente): -25 °C (-13 °F) (tenga en cuenta que recomendamos "boquilla polar" y "manguera polar" en la sección de accesorios de la página 8 para la operación a temperaturas más bajas).
- Altura de succión máxima: 3 m (10 pies) para gasolina; 5,5 m (18 pies) para combustible diésel n.º 2 (la elevación en metros [pies] es igual a la distancia vertical desde la superficie del líquido en el tanque hasta la entrada de la bomba, MENOS las pérdidas de fricción a través de los ciclos verticales y horizontales de la tubería, todos los tubos acodados y otros conectores. El sistema se debe ajustar para que requiera la cantidad **mínima** de altura de succión).

Accesorios

Existe una gran variedad de accesorios disponibles para ayudarle a maximizar el rendimiento de la bomba serie FR700V. En la siguiente lista se encuentran los accesorios correspondientes disponibles para su producto en particular. Comuníquese con su distribuidor Fill-Rite autorizado para adquirir los accesorios que necesite.

Número de pieza	Descripción	FR700V	FR701V	FR710V	FR711V
1200KTF7018	Kit de filtro de 19 mm (3/4 pulg.) (particulado)	X	X		
F1810PM0	Reemplazo de elemento de filtro particulado	X	X		
1210KTF7019	Kit de filtro de 19 mm (3/4 pulg.) (Hydrosorb)	X	X		
F1810HM0	Reemplazo de elemento de filtro Hydrosorb	X	X		
F4010PM0	Kit de filtro de 25 mm (1 pulg.) (particulado de 10 micrones)			X	X
F4030PM0	Kit de filtro de 25 mm (1 pulg.) (particulado de 30 micrones)			X	X
700ACCF7017	Cabezal de filtro de 25 mm (1 pulg.)			X	X
FRPA125	Kit de montaje de soporte de isla	X	X	X	X
KIT700AS	Kit antisifón	X	X	X	X
FRH10012	Manguera de 25 mm (1 pulg.) (3,7 m / 12 pies)			X	X
FRH10014	Manguera de 25 mm (1 pulg.) (4,3 m / 14 pies)			X	X
700F1353	Manguera de 25 mm (1 pulg.) (5,5 m / 18 pies)			X	X
FRH07512	Manguera de 19 mm (3/4 pulg.) (3,7 m / 12 pies)	X	X		
FRH07514	Manguera de 19 mm (3/4 pulg.) (4,3 m / 14 pies)	X	X		
FRHMN075S	Boquilla de 3/4 pulg. manual, tubo de salida sin plomo	X	X		
N075UAU10	Boquilla de 3/4 pulg. automática, tubo de salida sin plomo	X	X		
N075DAU10	Boquilla de 3/4 pulg. automática, tubo de salida diésel	X	X		
FRHMN100S	Boquilla de 1 pulg. manual, tubo de salida con plomo			X	X
N100DAU12	Boquilla de 1 pulg. corte automático (diésel de flujo alto)			X	X
N100DAU13	Boquilla de 1 pulg. corte automático (diésel de flujo ultra alto – cubierta roja)			X	X
N100DAU13G	Boquilla de 1 pulg. corte automático (diésel de flujo ultra alto – cubierta verde)			X	X
FRNA075DAU10	Boquilla de 3/4 pulg. corte automático (diésel: para trabajo polar)	X	X		
FRNA100DAU00	Boquilla de 1 pulg. corte automático (diésel: para trabajo polar)			X	X

Solución de problemas

La siguiente guía de “Solución de problemas” ofrece asistencia de diagnóstico básico en caso de que enfrente un funcionamiento anormal de su producto Fill-Rite.

Si tiene cualquier duda en cuanto a la instalación, operación o mantenimiento de su producto, comuníquese con nuestro Departamento de Servicio al Cliente al 1-800-634-2695 (lunes a viernes de 8 a. m. a 6 p. m., hora del Este). También puede encontrarnos en nuestro sitio web www.fillrite.com.



¡ADVERTENCIA! NO abra ni intente reparar el motor de su bomba de la serie FR700V. Si abre la carcasa del motor, puede poner en peligro la integridad de la fabricación a prueba de explosión y anulará cualquier garantía y certificación existente (lista UL). Consulte la política de garantía ubicada en la página 2.



¡ADVERTENCIA! Asegúrese de que la bomba no reciba ningún tipo alimentación eléctrica antes de realizar cualquier servicio técnico o mantenimiento.

Solución de problemas (continuación)

Síntoma	Causa	Solución
Filtración de líquido	1. Junta de junta tórica defectuosa	Verifique las juntas de la junta tórica
	2. Sello del eje sucio	Limpie el sello y la cavidad del sello
	3. Sello del eje defectuoso	Reemplace el sello
	4. Líquido incompatible	Envíe la lista de piezas en contacto con líquido al productor de líquidos
	5. Sujetadores sueltos	Apriete los sujetadores
La bomba no ceba	1. Problema de la tubería de succión	Verifique si hay filtraciones en la tubería de succión
	2. Válvula de recirculación abierta	Retire y revise la válvula, ésta se debe mover libremente y no debe tener residuos
	3. Bloqueo de las paletas	Verifique si hay muescas, rebabas y desgaste en las paletas y ranuras *
	4. Desgaste excesivo del rotor o de la paleta	Revise si hay daño o desgaste excesivo en el rotor y las paletas; reemplace de ser necesario *
	5. Salida bloqueada	Verifique si hay bloqueos en la salida de la bomba, la manguera, la boquilla y el filtro
	6. Bloqueo de vapor	Reduzca la distancia vertical y horizontal desde la bomba al líquido; retire la boquilla automática
Capacidad baja	1. Suciedad excesiva en la rejilla	Retire y limpie la rejilla
	2. Problema de la tubería de succión	Verifique si hay filtraciones o restricciones en la tubería de succión; puede ser muy pequeña, muy larga o no es hermética
	3. Bloqueo de la válvula de recirculación	Retire y revise la válvula; ésta se debe mover libremente y no debe tener residuos
	4. Bloqueo de las paletas	Revise si hay desgaste en las paletas y ranuras
	5. Desgaste excesivo del rotor o de la paleta	Revise si hay daño o desgaste excesivo en el rotor y las paletas; reemplace de ser necesario *
	6. Daño en la manguera o la boquilla	Reemplace la manguera o la boquilla
	7. Filtro obstruido	Reemplace el filtro
	8. Nivel de líquido bajo	Llene el tanque
La bomba funciona lento	1. Voltaje incorrecto	Verifique el voltaje de línea de entrada mientras esté funcionando la bomba
	2. Bloqueo de las paletas	Revise si hay muescas, rebabas o desgaste en las paletas y ranuras
	3. Problema de cableado	Verifique si hay conexiones sueltas
	4. Problema del motor	Consulte la política de garantía
El motor se detiene	1. Bloqueo de la válvula de recirculación	Retire y revise la válvula, ésta se debe mover libremente y no debe tener residuos
	2. Voltaje bajo	Verifique el voltaje de línea de entrada mientras esté funcionando la bomba
	3. Desgaste excesivo del rotor o de la paleta	Revise si hay daño o desgaste excesivo en el rotor y las paletas *
	4. Residuos en la cavidad de la bomba	Elimine los residuos de la cavidad de la bomba
Sobrecalentamiento del motor	1. Bombeo de líquidos de alta viscosidad	Estos líquidos solo se pueden bombear por períodos cortos de tiempo (menos de 30 minutos por ciclo de trabajo)
	2. Rejilla obstruida	Retire y limpie la rejilla
	3. Tubería de succión restringida	Retire y limpie la tubería
	4. Falla del motor	Consulte la política de garantía
	5. Cierre del rotor de la bomba	Limpie y verifique las paletas y el rotor de la bomba
El motor no funciona	1. No hay alimentación	Verifique la energía de entrada
	2. Falla del interruptor	Consulte la política de garantía
	3. Falla del motor	Consulte la política de garantía
	4. Falla del protector térmico	Consulte la política de garantía
	5. Cableado suelto o incorrecto	Verifique el cableado
La bomba emite un zumbido pero no funciona	1. Suciedad en la cavidad de la bomba	Limpie la cavidad de la bomba
	2. Falla del motor	Consulte la política de garantía
	3. Llave rota	Retire los residuos y reemplace el inserto
	4. Voltaje bajo	Verifique el voltaje de línea de entrada mientras la bomba esté en funcionamiento

El texto en negrita indica reparaciones que no puede realizar el propietario; consulte nuestra política de garantía en la página 2 para obtener instrucciones adicionales.

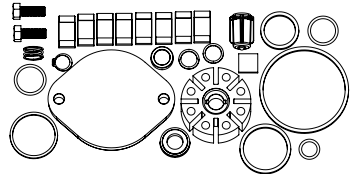
* Las reparaciones marcadas con un asterisco (*) requerirán del kit de reparación N° 700KTF2689. Este kit incluye un rotor de reemplazo y paletas nuevas, además de una cantidad de otros sellos y componentes importantes para completar la reparación. Los detalles del kit se encuentran en la página 10.

Información sobre repuestos

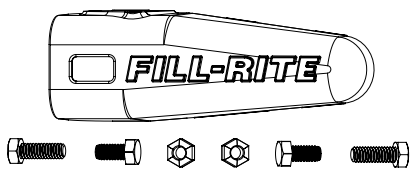
Para reparaciones y mantenimiento de rutina, Fill-Rite ofrece las piezas que usted necesita. El siguiente diagrama y lista de piezas cubren todas las piezas que corresponden a su producto Fill-Rite. Dichas piezas se pueden obtener por medio de un distribuidor Fill-Rite autorizado. Asegúrese de utilizar solo piezas de repuesto originales de Fill-Rite para sus necesidades de servicio y mantenimiento. Si desea ver una lista de los distribuidores autorizados, visite nuestro sitio web www.fillrite.com.



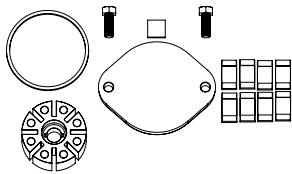
¡ADVERTENCIA! NO abra ni intente reparar el motor de su bomba de la serie FR700V. Si abre la carcasa del motor, puede poner en peligro la integridad de la fabricación a prueba de explosión y anulará cualquier garantía y certificación existente (lista UL). Consulte la política de garantía ubicada en la página 2.



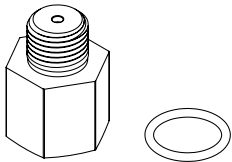
700KTF2659: Kit de reparaciones



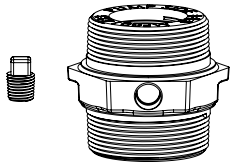
KIT120NB: Envoltura de boquilla estándar fundida



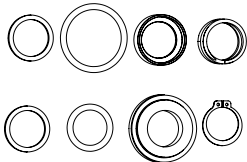
KIT700RG: Kit de rotor



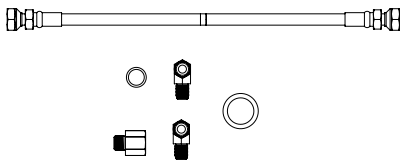
KIT700AVB: Cuerpo de la válvula antisifón



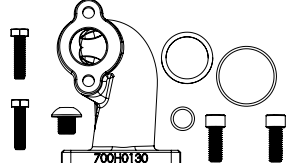
KIT700BG: Adaptador de tanque maquinado AST 2 x 1-1/4



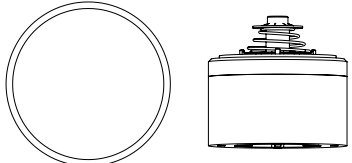
KIT700SL: Kit de sellos



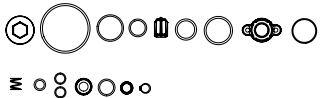
KIT700AS: Kit antisifón



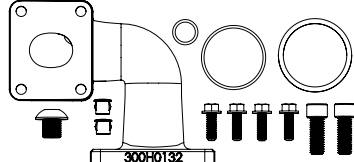
KIT700MA: Brida el medidor - 1 pulg.



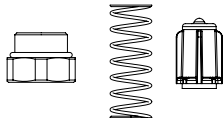
KIT700CV: Conjunto de válvula de retención



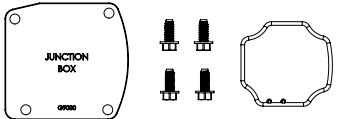
KIT700BD: Kit de biodiésel



KIT900PF: Brida el medidor - 1 pulg.



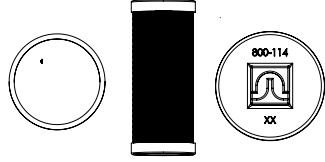
KIT700BV: Kit de montaje de la válvula de recirculación



KIT700JC: Kit de cubierta de la caja de conexiones



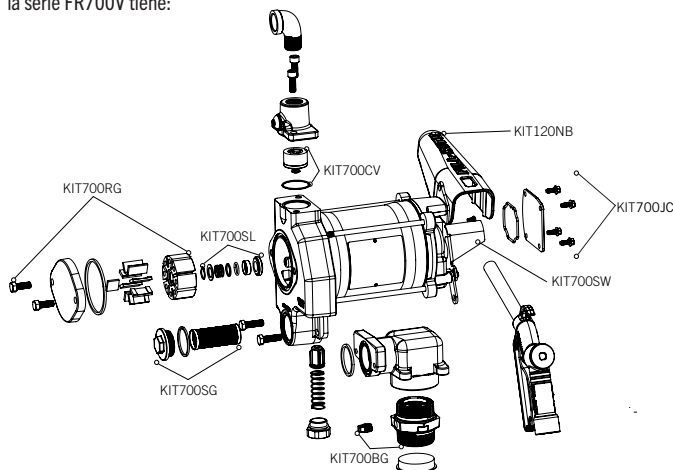
KIT700SW: Palanca del interruptor



KIT700SG: Kit de rejilla y junta

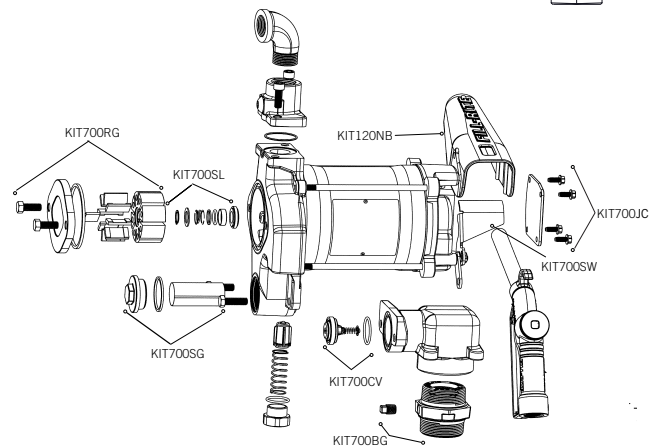
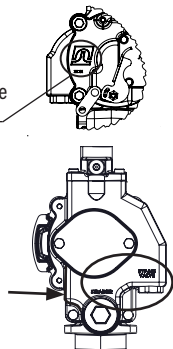
Lista de piezas de FR700V / FR701V / FR710V / FR711V

Revise los siguientes indicadores visuales para determinar qué modelo de la serie FR700V tiene:



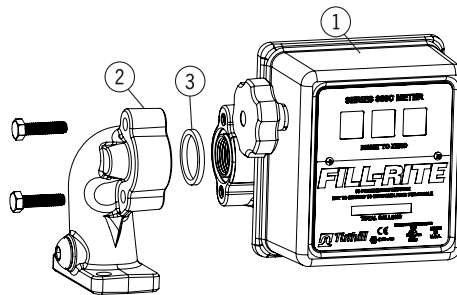
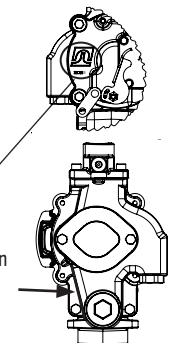
Examine la pieza fundida en el costado de la bomba que contiene el interruptor y la envoltura de la boquilla. Habrá un logotipo de Tuthill dibujado en la pieza fundida. Bajo la pieza fundida, verá un código de fecha. Si el código de fecha solo tiene 4 caracteres o números, tiene el diseño antiguo.

Además, en el otro lado de la bomba, la carcasa de la bomba de fundición de hierro no es angulada y contiene las palabras "Strainer" (Filtro) y "Bypass Valve" (Válvula de recirculación) dibujadas directamente en la pieza fundida. Si la bomba coincide con estas descripciones, la válvula de retención está ubicada en el lado de salida de la bomba. También utilizará el modelo más largo de los dos conjuntos de filtro disponibles en el kit KIT700SG.



Examine la pieza fundida en el costado de la bomba que contiene el interruptor y la envoltura de la boquilla. Habrá un logotipo de Tuthill dibujado en la pieza fundida. Bajo la pieza fundida, verá un código de fecha. Si el código de fecha tiene 5 caracteres y termina con la letra "B", tiene el diseño nuevo.

Además, en el otro lado de la bomba, la carcasa de la bomba de fundición de hierro tiene bordes angulados y no contiene palabras dibujadas en la pieza fundida. Si la bomba coincide con estas descripciones, la válvula de retención está ubicada en el lado de entrada de la bomba. Utilizará el modelo más corto de los dos conjuntos de filtro disponibles en el kit KIT700SG.



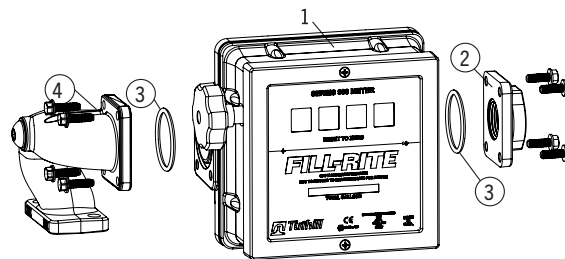
Lista de piezas de FR701V

La configuración del modelo FR701V incorpora un medidor mecánico de la serie 807C, una brida de medidor de entrada, una brida de medidor de salida, las piezas metálicas de fijación y las juntas. Este paquete está disponible en registro de galones o litros.

N.º	N.º de pieza/kit	Descripción	Cant.
1	807C	Medidor 807C (galones)	1
2	701H0934	Brida de medidor	1
3		Junta de nitrilo maquinada	1
1	807CL	Medidor 807CL (litros)	1

Piezas FR710V

N.º	N.º de pieza/kit	Descripción	Cant.
1	700H0128	Brida de salida de 2,5 cm (1")	1



Lista de piezas de FR711V

La configuración del modelo FR711V incorpora un medidor mecánico de la serie 901C, una brida de medidor de entrada, una brida de medidor de salida, las piezas metálicas de fijación y las juntas. Este paquete está disponible en registro de galones o litros.

N.º	Número de kit de galón	Descripción	Número de kit de litro	Cant.
1	901C	Medidor 901C (galones)	--	1
2	Medidor 900 (galón) N.º de kit 901CMK300V	Brida de medidor	Medidor 900 (litros) N.º de kit 901CLMK300V	1
3		Junta de medidor		2
4		Brida de medidor de 2,5 cm (1")		1
1	--	Medidor 901CL (litros)	901CL	1

¡ATENCIÓN!

La siguiente información corresponde a medidores y bombas con sufijo "E" (diseñadas para su uso fuera de Estados Unidos y Canadá). Consulte la etiqueta de información que corresponde a su bomba para ver si esto se aplica.

Materiales de construcción

Los materiales de construcción de la superficie exterior de la unidad son: acero pintado; fundición de hierro pintada; aluminio pintado; acero cincado.

Los materiales de construcción de las partes húmedas son: fundición de hierro; acero; acero cincado; acero inoxidable serie 300; carbono; fluorocarburo; buna; acero inoxidable serie 400; aluminio; fenólico; poliéster termoplástico; tereftalato de polibutileno y cobre.

Reparación y mantenimiento

Comuníquese con el lugar de compra para solicitar reparación y mantenimiento por garantía

Condiciones de uso específicas

1. Comuníquese con el fabricante si necesita obtener información acerca de las dimensiones de las juntas ignífugas.
2. Se deberán usar tornillos de cabeza hexagonal M6, ISO Clase 8.8 (esfuerzo de fluencia 640 MPa) para reemplazar los sujetadores de la cubierta de terminal de la serie FR700V.
3. Se deberán usar tornillos de cabeza hexagonal M8, ISO Clase 10.9 (esfuerzo de fluencia 940 MPa) para reemplazar los sujetadores de los tirantes del motor de la serie FR700V.
4. Con líquidos inflamables se deben utilizar una manguera y una boquilla de conducción eléctrica. Para minimizar la acumulación de electricidad estática, siempre mantenga la boquilla en contacto con el recipiente que se llena durante el proceso de abastecimiento de combustible.

Instalación

La bomba se debe instalar en conformidad con EN 60079-14 o IEC 60079-14, según corresponda.



II 2 G
Ex db h IIA T4 Gb
FM19ATEX0019X
IECEx FMG19.0013X
Ex db IIA T4 Gb

Las siguientes agencias obtuvieron certificados de cumplimiento con la seguridad para productos vendidos fuera de EE. UU. y Canadá. Consulte la etiqueta en su producto para ver los datos particulares de cumplimiento.

Se usaron las siguientes normas para mostrar el cumplimiento en la Unión Europea:

EN IEC 60079-0:2018, Ed. 7 "Atmósferas explosivas: Parte 0: Equipos: Requisitos generales"

EN 60079-1:2014, Ed. 7 "Atmósferas explosivas: Parte 1: Protección de equipos mediante cajas ignífugas "d"

EN ISO 80079-36:2016, Ed. 1 "Atmósferas explosivas: Parte 36: Equipos no eléctricos para atmósferas explosivas: Método básico y requisitos"

EN ISO 80079-37:2016, Ed. 1 "Atmósferas explosivas: Parte 37: Equipos no eléctricos para atmósferas explosivas: Tipo no eléctrico de protección a través de seguridad constructiva "c", control de fuente de ignición "b", inmersión en líquido "k"

Directiva 2014/34/UE: Equipos y sistemas de protección destinados al uso en atmósferas potencialmente explosivas.

Directiva 2011/65/UE: Restricciones a la utilización de ciertas sustancias peligrosas en aparatos eléctricos y electrónicos.

Se usaron las siguientes normas para mostrar el cumplimiento de la certificación IECEx:

IEC 60079-0:2017, Ed. 7

IEC 60079-1:2014, Ed. 7

Segurança



Tuthill Corporation
8825 Aviation Drive
Fort Wayne, Indiana 46809 EE. UU.

T (800) 634-2695
(+01) 260-747-7524
F (800) 866-4681

tuthill.com | fillrite.com | soter.com

FILL-RITE®

BOMBAS DE TRANSFERÊNCIA DE COMBUSTÍVEL DA SÉRIE FR700V

Manual de Instalação e Operação



Conteúdo

Política de garantia.....	2
Informações de segurança	3
Instalação	3
Dispositivo anti-sifão	5
Fiação elétrica.....	6
Procedimento para fiação elétrica	6
Instruções de operação.....	7
Aprovações de teste de segurança	7
Prender com cadeado.....	7
Compatibilidade com fluidos	7
Informações/Especificações técnicas	7
Acessórios	8
Solução de problemas	8
Informações sobre peças de reposição	10
Lista de peças da FR700V/FR701V/FR710V/FR711V.....	11
Informações do modelo FR700VE	12

Obrigado!

Agradecemos a sua lealdade às bombas de transferência de combustível da marca Fill-Rite®. Sua segurança é importante, portanto, leia e compreenda completamente os procedimentos estabelecidos neste manual. Além disso, guarde estas instruções para referência futura e registre o modelo, número de série e data da compra da sua bomba de transferência de combustível. Proteja-se, assim como as pessoas ao seu redor, observando todas as instruções de segurança e cumprindo todos os símbolos de perigo, aviso e cuidado. Registre seu Fill-Rite® produto via info.tuthill.com/product_registration

POLÍTICA DE DEVOLUÇÃO IMPORTANTE

Não devolva este produto à loja. Para todas as perguntas sobre garantia e produtos, entre em contato com o Atendimento ao Cliente da Tuthill pelo telefone 1-800-634-2695 (segunda à sexta, das 8h às 18h EST/EDT).

No. MODELO	
No. SERIAL	
DATA DE COMPRA:	

**Política de Garantia Limitada**

A Tuthill Fort Wayne garante que as mercadorias fabricadas devem estar livres de defeitos de materiais e mão de obra. Detalhes específicos da garantia para produtos individuais podem ser encontrados em fillrite.com.

Sobre este manual

Do conceito e projeto inicial até sua produção final, a sua bomba Fill-Rite é construída para lhe proporcionar anos de uso sem nenhum problema. Para garantir que ela lhe forneça esse serviço, **é extremamente importante que você leia todo este manual antes de tentar instalar ou operar sua nova bomba**. Familiarize-se com os termos e diagramas, e preste bastante atenção às áreas destacadas com a seguinte identificação:



ADVERTÊNCIA! Ela enfatiza uma área na qual a falha em seguir as instruções corretamente **pode** resultar em ferimentos pessoais ou até mesmo morte. Também podem ocorrer danos mecânicos.



CUIDADO! A falha em observar um aviso de “Cuidado” pode causar danos ao equipamento.

IMPORTANTE! Estas caixas contêm informações que ilustram um ponto que pode economizar tempo ou que pode ser importante para uma operação correta ou que esclarece uma etapa.

Na Tuthill, é muito importante sua satisfação com nossos produtos. Se você tiver quaisquer dúvidas ou precisar de assistência com o seu produto, entre em contato em 1-800-634-2695 (de segunda à sexta, das 8h às 18h, ET).

Informações de segurança



ADVERTÊNCIA! A instalação elétrica **SÓ** deve ser realizada por um electricista licenciado, em conformidade com o código elétrico NEC/ANSI/NFPA 70, NFPA30 e NFPA 30A local, estadual ou nacional, conforme aplicável para o uso pretendido da bomba. Conduítes rígidos roscados, conexões vedadas e selo condutor devem ser usados. A bomba deve ser devidamente aterrada. A instalação ou uso incorreto desta bomba pode resultar em ferimentos corpóreos graves ou morte!

1. **NUNCA** fume perto da bomba, ou use a bomba perto de chamas ao bombear um líquido inflamável! Isso pode resultar em incêndio!
2. Um filtro Fill-Rite deve ser usado na saída da bomba para garantir que nenhum material estranho seja transferido para o tanque de combustível.
3. As conexões e junções de tubulação roscadas devem ser vedadas com selante ou fita selante adequada para reduzir a possibilidade de vazamentos.
4. Os tanques de armazenamento devem ser presos firmemente para evitar que se desloquem ou tombem quando estiverem cheios ou vazios.
5. Para reduzir o acúmulo de eletricidade estática, use apenas mangueiras com fio estático ao bombear fluidos inflamáveis, e mantenha o bocal de enchimento em contato com o recipiente sendo abastecido durante o processo de abastecimento.
6. O motor da bomba é equipado com proteção contra sobrecarga térmica; em caso de superaquecimento, o motor vai desligar para evitar danos aos enrolamentos. Se isso acontecer, **DESLIGUE A BOMBA!** Quando o motor esfriar, ele irá reiniciar sem avisos, se a energia estiver ligada.



ADVERTÊNCIA! Este produto não deve ser usado para transferir fluidos para qualquer tipo de aeronave.



ADVERTÊNCIA! Este produto não é adequado para uso com fluidos de consumo humano ou fluidos que contenham água.

Instalação

A bomba da série Fill-Rite FR700V foi projetada para oferecer várias configurações de montagem diferentes. Ela pode ser montada em um tanque montado em skid, usando um adaptador fornecido com a bomba (consulte os diagramas anexados) ou montada em uma ilha de concreto, usando um adaptador de pedestal opcional (disponível através do seu distribuidor Fill-Rite). Independentemente do estilo de montagem, todos os tanques devem ser adequadamente ventilados.

A bomba série FR700V possui uma válvula de retenção embutida para reduzir o excesso de pressão perigoso causado pela expansão térmica do fluido. Ela também possui uma válvula de desvio integral para ajudar a reduzir o desgaste quando a bomba estiver operando com o bocal fechado.

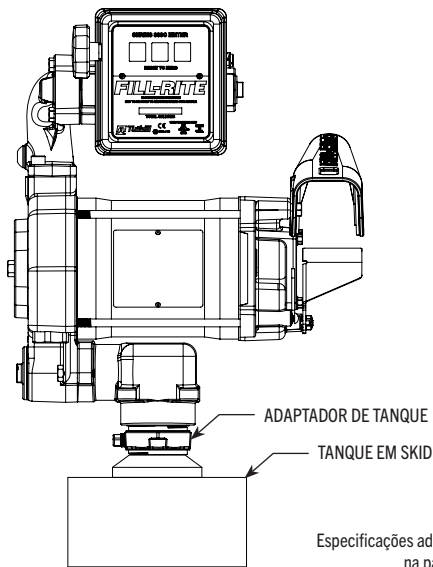


CUIDADO! Não use válvulas de retenção ou válvulas de pé adicionais, a menos que estas tenham uma válvula de alívio de pressão adequada embutida. Observe que válvulas de retenção adicionais vão reduzir a vazão.



CUIDADO! As conexões e junções de tubulação roscadas devem ser vedadas com selante ou fita selante adequada para reduzir a possibilidade de vazamentos.

INSTALAÇÃO DE TANQUE MONTADO EM SKID



Instalação típica para tanque em skid

Materiais

- Um tubo de 1-1/4 pol cortado em um comprimento que vai terminar a pelo menos 76 mm (3 pol) do fundo do tanque quando instalado no adaptador de tanque, que por sua vez é instalado no flange do tanque (consulte o diagrama de INSTALAÇÃO DE TANQUE EM SKID).
- Selante de conexão de tubulação roscada apropriado para a aplicação.
- Composto anti-gripagem.

Procedimento de instalação

1. Passe o tubo de 1-1/4 pol no adaptador do tanque. Vede as conexões roscadas com o selante de rosca adequado.
2. Aplique um composto de rosca anti-aderente nas roscas externas na parte inferior do tampão. Aparafuse o adaptador do tanque no flange do tanque.
3. Monte a bomba no adaptador; vede as conexões roscadas com o selante de rosca adequado.
4. A Fill-Rite recomenda a instalação de nosso Dispositivo Anti-sifão (consulte a página 5 para informações mais detalhadas).

Instalação típica em “ilha”

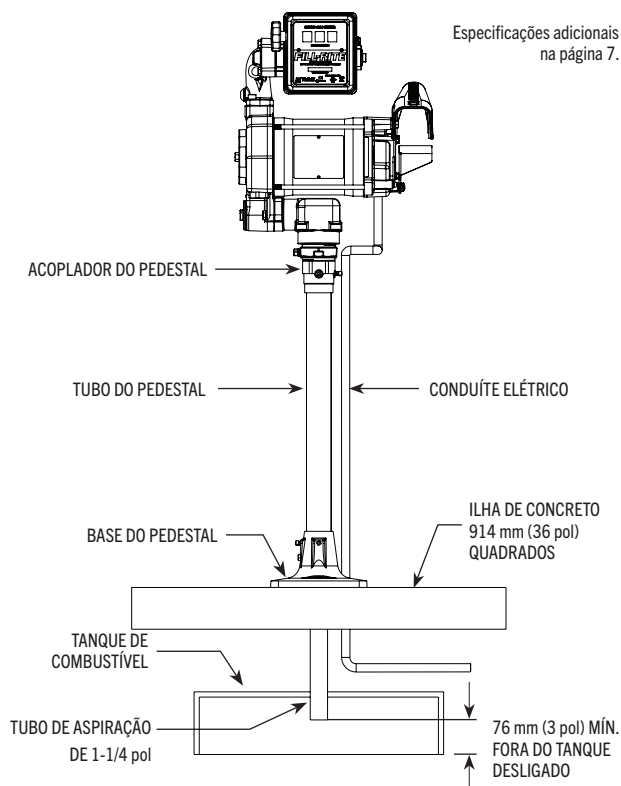
Materiais

- Tubo de aspiração de 1-1/4 pol roscado, cortado no comprimento 826 mm (32-1/2 pol) acima da ilha.
- Kit de pedestal FRPA125 (inclui o tubo de pedestal, base e acoplador).
- Selante de conexão de tubulação roscada apropriado para a aplicação.

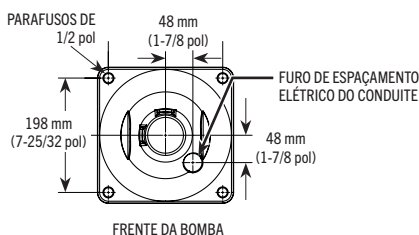
Procedimento de instalação

1. Remova o acoplador do tubo de pedestal, afrouxando os parafusos de aperto.
2. Deslize o conjunto da tubo de pedestal/base da bomba sobre o tubo de aspiração de 1-1/4 pol.
3. Afrouxe os parafusos na base da bomba para permitir que o tubo do pedestal deslize, expondo a extremidade do tubo de aspiração.
4. Parafuse o acoplador no tubo de aspiração; vede as conexões roscadas com o selante de rosca adequado.
5. Deslize o tubo do pedestal no acoplador e aperte os parafusos de aperto.
6. Aperte os parafusos na base da bomba.
7. Monte a bomba no acoplador e vede as conexões roscadas com o selante de rosca adequado.

INSTALAÇÃO TÍPICA DE PEDESTAL/ILHA



DISPOSIÇÃO DOS PARAFUSOS DE FIXAÇÃO DA BASE





CUIDADO! As conexões e junções de tubulação roscadas devem ser vedadas com selante ou fita selante adequada para reduzir a possibilidade de vazamentos.

Dispositivo anti-sifão

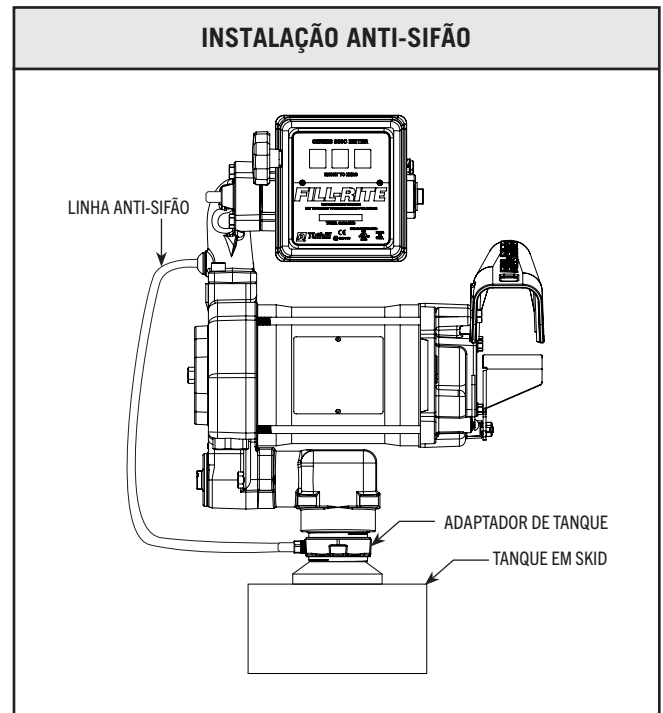
A sua bomba série FR700V vem da fábrica pronta para instalação de um tubo anti-sifão de volta para o tanque. Um dispositivo anti-sifão (também conhecido como quebra-vácuo) é importante, pois ele quebrará um sifão de líquido se houver um bocal aberto ou uma mangueira com vazamento, abaixo do nível do fluido no tanque, quando a bomba estiver desligada. A Fill-Rite recomenda que o kit anti-sifão nº KIT700AS seja instalado da saída da bomba de volta para o espaço de vapor no tanque.

Esta ilustração mostra onde o tubo deve ser instalado, de maneira que termine no espaço de vapor na parte superior do tanque. O tubo deve terminar no espaço de vapor; se ele terminar abaixo do nível de fluido no tanque, ele não estará exercendo sua função de prevenir o efeito sifão. É muito importante que não exista sifão de líquidos na tubulação; ela deve ter uma inclinação contínua, da bomba até o tanque, e pode ser conectada através de qualquer abertura na parte superior do tanque, se o adaptador de tanque não for usado. Use buchas redutoras, conforme necessário, para encaixe e vedação corretos.

A abertura NPT de 1/4 na lateral do adaptador do tanque termina no espaço de vapor do tanque. Vede as conexões usando o selante adequado do adaptador para a saída do dispositivo anti-sifão, usando um pedaço de tubo de 1/4 de metal que seja compatível com o líquido que está sendo bombeado. Se o adaptador de tanque anti-sifão estiver sendo usado e a abertura de 1/4 NPT não for usada para o tubo, não remova o bujão que vem instalado de fábrica.

A Fill-Rite oferece o kit anti-sifão nº KIT700AS (disponível através de seu distribuidor Fill-Rite). Este kit contém os acessórios e tubulações necessários para concluir a instalação, conforme ilustrado nesta seção e fornecer sua própria linha anti-sifão. **OBSERVAÇÃO:** Este kit funciona APENAS para instalações da parte superior do tanque do kit adaptador.

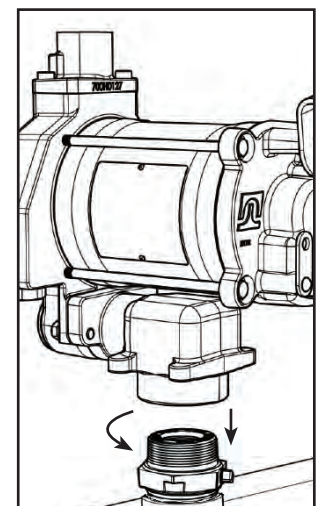
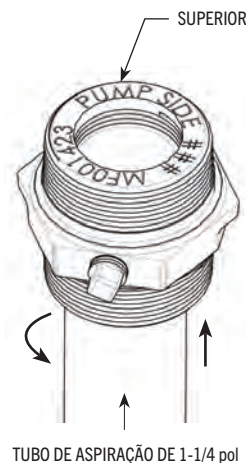
Se não estiver usando o KIT700AS, você precisará do KIT700AVB. Isso permitirá que você conecte uma linha de volta ao tanque ou ao adaptador de conexão.



Montagem e instalação de adaptador de tampão/tubo de aspiração

As bombas da série FR700V possuem adaptador de tampão de 2" com conexão integral para um dispositivo anti-sifão. Ao instalar o tubo de sucção no adaptador de tampão, o tubo de aspiração deve ser inserido corretamente no adaptador de tampão para uma operação adequada. O tubo de aspiração rosca no adaptador do tanque e deve ser cortado com um comprimento que o posicione pelo menos a 76 mm (3 pol) do fundo do tanque.

1. Meça e corte o tubo de aspiração para encaixar como descrito acima.
2. Examine o adaptador de tampão para determinar a parte superior e inferior da inserção adequada do tubo de aspiração. O adaptador de tampão está identificado para ajudar: a extremidade marcada "LADO DA BOMBA" é a parte superior do adaptador de tampão. Observe que as roscas internas do tubo de aspiração estão na parte superior da abertura, mas o tubo de aspiração é inserido através da abertura inferior.
3. Enrole as roscas do tubo de sucção com o selante apropriado para o fluido a ser bombeado. Insira o tubo de aspiração (com o lado da rosca para cima) na parte inferior do adaptador de tampão até que as roscas se encaixem.
4. Aperte o tubo de aspiração no adaptador de tampão para criar uma vedação estanque ao ar/fluido.
5. Aplique um composto de rosca anti-aderente nas roscas externas na parte inferior do tampão. Instale o adaptador de tampão e o tubo de aspiração montados na abertura do tampão no tanque. Aperte com uma vedação estanque a fluido/ar.
6. Instale a bomba no adaptador de tampão usando o vedador de fluido apropriado e aperte-o em uma vedação à prova de fluido/ar.



Fiação elétrica



ADVERTÊNCIA! A instalação elétrica SÓ deve ser realizada por um electricista licenciado, em conformidade com o código elétrico NEC/ANSI/NFPA 70, NFPA30 e NFPA 30A local, estadual ou nacional, conforme aplicável para o uso pretendido da bomba. Conduítes rígidos roscados, conexões vedadas e selo condutor devem ser usados. A bomba deve ser devidamente aterrada. A instalação ou uso incorreto desta bomba pode resultar em ferimentos corpóreos graves ou morte!

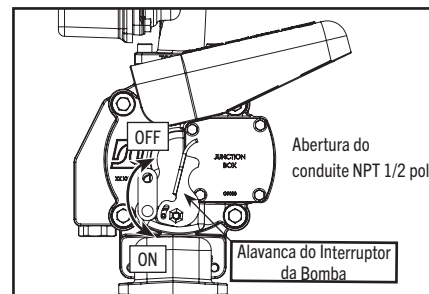
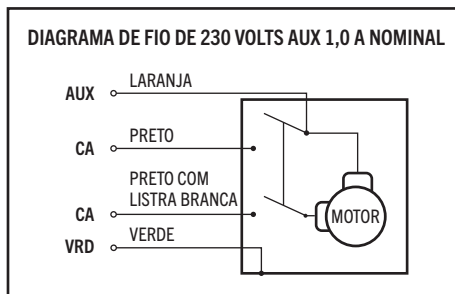
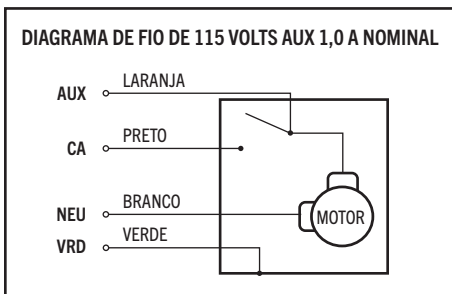


CUIDADO! Todas as bombas devem ser operadas na Tensão Nominal indicada na Plaqueta de Identificação. A energia elétrica deve ser fornecida para a bomba por um disjuntor dedicado de 20 A. Nenhum outro equipamento deve ser alimentado por este circuito. A fiação deve ser de tamanho suficiente para transportar a corrente correta para a bomba. A queda de tensão vai variar com a distância até a bomba e o tamanho do fio; consulte o Código Elétrico Nacional (NEC), ou códigos locais, no que diz respeito a compensação de queda de tensão, para certificar-se de que está usando o tamanho de fio correto para sua aplicação.

Procedimento para fiação elétrica



ADVERTÊNCIA! O fio "AUX." é um FIO ENERGIZADO quando o interruptor estiver ligado! O fio de chumbo "AUX" é isolado e guardado, quando enviado. NÃO conecte este fio sem antes verificar se a tensão na linha "ON" (ligada) do fio é compatível com o equipamento a ser instalado. A amperagem máxima neste fio é de 1 A. O fio "AUX" deve ser isolado e fechado na caixa de junção, se não for usado.



1. Remova a tampa da caixa de derivação e estique os fios para garantir que as extremidades de fios desencapados estejam acessíveis fora da caixa de derivação.
2. Conecte os fios da bomba às linhas de energia de acordo com o diagrama. Certifique-se de isolar adequadamente as conexões com as porcas de fio apropriadas ou outros conectores. Observe que o fio-terra DEVE estar conectado.
3. Encaixe os fios de volta na caixa de derivação, verifique o posicionamento correto da gaxeta, alinhe a tampa com os orifícios da caixa de derivação e reinstale os parafusos. Aperte cada parafuso a 10 ± 1 Nm (90 ± 9 pol-lb).

IMPORTANTE! Certifique-se de que a gaxeta da tampa está no lugar e que os parafusos mantêm a tampa bem apertada junto a caixa de derivação. Não deve haver nenhuma folga entre a caixa de derivação e sua tampa.

COMPRIENTO MÁXIMO DO CABO EM METROS (PÉS)

AWG	Fio sólido							Fio flexível						
	16	14	12	10	8	6	4	16	14	12	10	8	6	4
115 V CA (60 Hz motor)	12 (39)	19 (62)	30 (99)	48 (158)	76 (250)	--	--	12 (38)	19 (61)	29 (96)	47 (154)	75 (245)	119 (389)	189 (620)
230 V CA (50 Hz motor)	57 (186)	90 (296)	144 (471)	229 (751)	--	--	--	55 (182)	88 (290)	140 (459)	223 (733)	--	--	--
230 V CA (60 Hz motor)	52 (170)	83 (271)	132 (432)	210 (689)	--	--	--	51 (167)	81 (265)	128 (421)	205 (672)	--	--	--

Instruções de operação

1. Reajuste o medidor para "0" (se aplicável).
2. Remova o bocal de distribuição da entrada do bocal.
3. Mova a alavanca da chave para a posição "ON" (ligado) para energizar a bomba.
4. Insira o bocal de distribuição no recipiente a ser abastecido.
5. Opere o bocal para liberar o fluido; solte o bocal quando a quantidade desejada de líquido tiver sido dispensada.
6. Mova a alavanca da chave para a posição "OFF" (desligar) para parar a bomba.
7. Remova o bocal de distribuição do recipiente e guarde na entrada do bocal.



CUIDADO! Mantenha sempre o bocal em contato com o recipiente sendo abastecido durante o processo de abastecimento para reduzir a possibilidade de acúmulo de eletricidade estática.

Instalação da entrada do bocal

A entrada do bocal é instalada usando os dois orifícios de parafuso inferiores na lateral da entrada (suporte). Use as ferragens de fixação fornecidas para instalar a entrada do bocal.

Quando o bocal estiver montado corretamente, ele deverá ficar na posição horizontal.

Compatibilidade de fluidos

Combustível diesel, gasolina, querosene, bebidas espirituosas minerais, solventes Stoddard e heptano

IMPORTANTE! Em caso de dúvida sobre a compatibilidade de um fluido específico, entre em contato com o fornecedor do fluido para verificar se há reações adversas aos seguintes materiais úmidos: ferro fundido; aço; aço galvanizado; aço inoxidável série 300; carbono; fluorocarboneto; buna; aço inoxidável série 400; alumínio e fenólico.

Informações/Especificações técnicas

Características de projeto

- Entrada: Tampão: NPT 2 pol macho; tubo de aspiração - NPT 1-1/4 pol fêmea para tampão FR705VE/705VEL/715VE: BSPT de 2 pol macho; tubo de aspiração - BSPP de 1 pol fêmea.
- Saída: NPT 3/4 pol (modelo FR700V/701V)/NPT 1 pol (modelo FR710V/711V) para a saída de FR705VE/705VEL/715VE.
- Carcaça da bomba de ferro fundido: rotor de ferro (composto) e palhetas de carbono (composto)
- Modelo FR700V/701V fornecido com mangueira e bocal manual com certificação UL de 3/4 pol x 3,7 m (12 pés).
- Modelo FR711, fornecido com uma mangueira 1 pol x 5,5 m (18 pés) e bocal automático, com certificação UL.
- Segurança: Bomba equipada para cadeado.
- Proteção térmica contra sobrecarga.
- Interruptor de serviço pesado.
- Ciclo de operação de 30 minutos.
- Motor à prova de explosões, com certificação UL, com mancais vedados que não precisam de manutenção.
- Válvula de retenção integral com alívio de pressão na lateral de saída evita o acúmulo de pressão e melhora a altura de aspiração vertical.
- Filtro de fácil acesso.
- Válvula de desvio automática.
- Base rosqueada de 2 pol para aberturas de tanque.
- Tomada de amperagem constante (fator de serviço de 1,0):
 - 115 VCA 60 Hz – 5,5 A
 - 230 VCA 60 Hz – 2,4 A

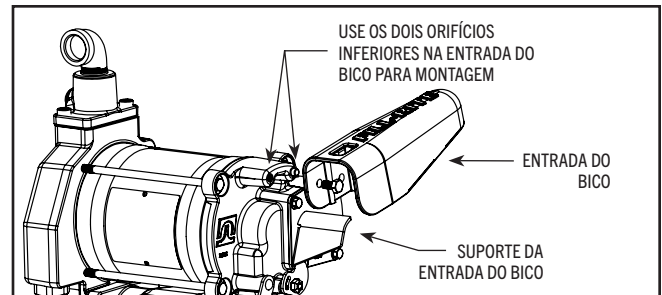
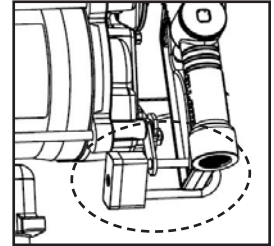
Aprovações de teste de segurança

A linha de bombas Fill-Rite foi testada com segurança quanto à conformidade com os padrões estabelecidos pelos laboratórios da UL.



Prender com cadeado

O bocal da sua bomba Fill-Rite pode ser preso com cadeado para maior segurança. Com a bomba desligada e o bocal na posição de armazenamento, um cadeado pode ser inserido através do elo de travamento e da abertura na alça do bocal. Essa configuração evita que o bocal seja removido da tampa do bocal.



Dimensões gerais:

Modelo FR700V/710V: 359 mm largura x 300 mm altura x 292 mm profundidade (14,15 pol x 11,825 pol x 11,5 pol).

Modelo FR701V: 359 mm largura x 422 mm altura x 297 mm profundidade (14,15 pol x 16,6 pol x 11,675 pol).

Modelo FR711V: 387 mm largura x 409 mm altura x 358 mm profundidade (15,25 pol x 16,1 pol x 14,1 pol).

Peso de Envio:

FR700V: 24,5 kg (54 lbs) / FR701V: 27,7 kg (61 lbs) / FR710V: 24,5 kg (54 lbs) / FR711V: 27,7 kg (61 lbs)

Acessórios:

- Consulte a página 8 para uma lista completa de acessórios disponíveis.

Desempenho:

- Pressão máxima de 1,72 bar (25 psi) na saída da bomba.
- Até 75 litros (20 galões) por minuto.
- Bomba de fluido com viscosidade máxima: 2 combustível diesel.
- Temperatura operacional máxima da bomba (ambiente): 66 °C (150 °F).
- Temperatura mínima de operação da bomba (ambiente): -25 °C (-13 °F) (observe que, para operação em temperaturas mais baixas, recomendamos "Bocal do Ártico" e "Mangueira do Ártico" na seção de acessórios na página 8).
- Altura máxima de aspiração: 3 m (10 pés) para gasolina; 5,5 m (18 pés) para combustível diesel nº 2 (a altura em pés é equivalente a distância vertical da superfície do fluido no tanque até a entrada da bomba, MENOS a perda por fricção pelos trajetos verticais e horizontais dos tubos, todos os joelhos e outras conexões. O sistema deve ser ajustado para exigir uma quantidade mínima de altura de aspiração).

Acessórios

Uma grande variedade de acessórios está disponível para ajudar você a maximizar o desempenho da sua bomba da série FR700V. Os acessórios disponíveis aplicáveis para o seu produto específico são listados abaixo. Entre em contato com o seu distribuidor autorizado da Fill-Rite para adquirir os acessórios que precisa.

Número da peça	Descrição	FR700V	FR701V	FR710V	FR711V
1200KTF7018	Kit de filtro de 3/4 pol (particulado)	X	X		
F1810PM0	Elemento Filtrante de Particulado para Substituição	X	X		
1210KTF7019	Kit de filtro de 3/4 pol (Hydrosorb®)	X	X		
F1810HM0	Elemento filtrante de Hydrosorb para substituição	X	X		
F4010PM0	Kit de filtro de 1 pol (particulado de 10 micron)			X	X
F4030PM0	Kit de filtro de 1 pol (particulado de 30 micron)			X	X
700ACCF7017	Cabeça de filtro de 1 pol			X	X
FRPA125	Kit de montagem em pedestal/ilha	X	X	X	X
KIT700AS	Kit anti-sifão	X	X	X	X
FRH10012	Mangueira de 1 pol (3,7 m [12 pés])			X	X
FRH10014	Mangueira de 1 pol (4,3 m [14 pés])			X	X
700F1353	Mangueira de 1 pol (5,5 m [18 pés])			X	X
FRH07512	Mangueira de 3/4 pol (3,7 m [12 pés])	X	X		
FRH07514	Mangueira de 3/4 pol (4,3 m [14 pés])	X	X		
FRHMN075S	Bocal 3/4 pol, bocal manual, sem chumbo	X	X		
N075UAU10	Bocal de 3/4 pol, automático, tubo de saída sem chumbo	X	X		
N075DAU10	Bocal de 3/4 pol, automático, tubo de saída de diesel	X	X		
FRHMN100S	Bocal 1 pol, bocal, saída com chumbo			X	X
N100DAU12	Bocal de desligamento automático de 1 pol (diesel de alto fluxo)			X	X
N100DAU13	Bocal de desligamento automático de 1 pol (diesel de fluxo ultra-alto – tampa vermelha)			X	X
N100DAU13G	Bocal de desligamento automático de 1 pol (diesel de fluxo ultra-alto – tampa verde)			X	X
FRNA075DAU10	Bocal de fechamento automático de 3/4 pol (operação em baixas temperaturas - diesel)	X	X		
FRNA100DAU00	Bocal de fechamento automático de 1 pol (operação em baixas temperaturas - diesel)			X	X

Solução de problemas

O guia para solução de problemas a seguir é fornecido para apresentar assistência de diagnóstico básica caso você observe um funcionamento anormal de seu produto Fill-Rite.

Se você tiver quaisquer dúvidas em relação à instalação, operação ou manutenção de seu produto, entre em contato com nosso Departamento de Atendimento ao Cliente em 1-800-634-2695 (de segunda à sexta, das 8h às 18h, ET). Você também pode entrar em contato conosco em www.fillrite.com.



ADVERTÊNCIA! NÃO abra nem tente reparar o motor na sua bomba da série FR700V. Abrir o invólucro do motor pode comprometer a integridade da construção à Prova de Explosões e anulará qualquer certificação e garantia existentes (certificação UL). Consulte a política de garantia localizada na página 2.



ADVERTÊNCIA! Certifique-se de desligar todas as fontes de energia da bomba antes de realizar qualquer serviço ou manutenção.

Solução de problemas (continuação)

Sintomas	Causa	Solução
Vazamento de fluido	1. Gaxeta O-ring ruim	Verifique todas as gaxetas O-ring
	2. Selo de vedação de eixo sujo	Limpe o selo de vedação e a cavidade do selo de vedação
	3. Selo de vedação de eixo ruim	Substitua o selo de vedação
	4. Fluido incompatível	Forneça a lista de peças molhadas ao fabricante do fluido
	5. Fixadores soltos	Aperte os fixadores
A bomba não escorva	1. Problema na linha de aspiração	Verifique se há vazamentos na linha de aspiração
	2. Válvula de desvio aberta	Remova e inspecione a válvula, ela deve mover-se livremente e estar livre de detritos
	3. Palhetas prendendo	Verifique as palhetas e slots quanto a chanfros, rebarbas e desgaste*
	4. Desgaste excessivo do rotor ou palhetas	Inspeccione se há desgaste excessivo ou danos no rotor e nas palhetas; substitua, se necessário*
	5. Saída obstruída	Verifique a saída da bomba, mangueira, bocal e filtro quanto a obstruções
	6. Represamento de vapor	Reduza a distância vertical e horizontal da bomba para o líquido; remova o bocal automático
Baixa capacidade	1. Excesso de sujeira na tela	Remova e limpe a tela
	2. Problema na linha de aspiração	Verifique a linha de aspiração quanto a vazamentos ou restrições; ela pode ser muito pequena, muito comprida ou não ser estanque
	3. Válvula de desvio prendendo	Remova e inspecione a válvula, ela deve mover-se livremente e estar livre de detritos
	4. Palhetas prendendo	Verifique as palhetas e slots quanto a desgaste
	5. Desgaste excessivo do rotor ou palhetas	Inspeccione se há desgaste excessivo ou danos no rotor e nas palhetas; substitua, se necessário*
	6. Dano na mangueira ou bocal	Substitua a mangueira ou o bocal
	7. Filtro entupido	Troque o filtro
	8. Nível de fluido baixo	Encha o tanque
Bomba operando lentamente	1. Tensão incorreta	Verifique a tensão da linha de entrada enquanto a bomba está em funcionamento
	2. Palhetas prendendo	Inspeccione as palhetas e slots quanto a chanfros, rebarbas e desgaste
	3. Problema na fiação	Verifique se há conexões soltas
	4. Problema no motor	Consulte a política de garantia
Motor perde a velocidade	1. Válvula de desvio prendendo	Remova e inspecione a válvula, ela deve mover-se livremente e estar livre de detritos
	2. Baixa tensão	Verifique a tensão da linha de entrada enquanto a bomba está em funcionamento
	3. Desgaste excessivo do rotor ou palhetas	Verifique o rotor e as palhetas quanto a desgaste excessivo ou danos*
	4. Detritos na cavidade da bomba	Limpe os detritos da cavidade da bomba
Superaquecimentos do motor	1. Bombeando fluidos de alta viscosidade	Estes fluidos só podem ser bombeados por um período curto de tempo (ciclo de trabalho menor que 30 minutos)
	2. Tela entupida	Remova e limpe a tela
	3. Tubo de aspiração restrito	Remova e limpe o tubo
	4. Falha do motor	Consulte a política de garantia
	5. Travamento do rotor da bomba	Limpe e verifique as palhetas e rotor da bomba
Motor inoperante	1. Sem alimentação	Verifique a alimentação de entrada
	2. Falha da chave	Consulte a política de garantia
	3. Falha do motor	Consulte a política de garantia
	4. Falha da proteção térmica	Consulte a política de garantia
	5. Fiação solta/ incorreta	Verifique a fiação
Bomba emite zumbido, mas não opera	1. Sujeira na cavidade da bomba	Limpe a cavidade da bomba
	2. Falha do motor	Consulte a política de garantia
	3. Chave quebrada	Remova todos os detritos e substitua o inserto
	4. Baixa tensão	Verifique a tensão da linha de entrada enquanto a bomba está em funcionamento

Texto em negrito indica reparos que não podem ser feitos pelo proprietário; consulte nossa política de garantia na página 2 para obter mais instruções.

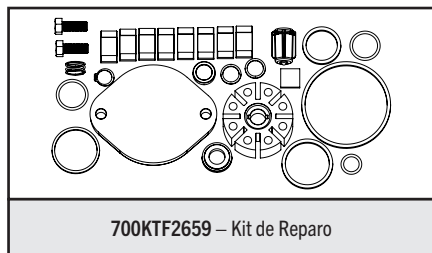
* Reparos marcados com um asterisco (*) precisarão do Kit de Reparos nº 700KTF2689. O kit inclui novas palhetas e rotor para substituição, assim como diversos outros componentes e selos de vedação importantes para a conclusão do reparo. Os detalhes sobre este kit estão na página 10.

Informações sobre peças de reposição

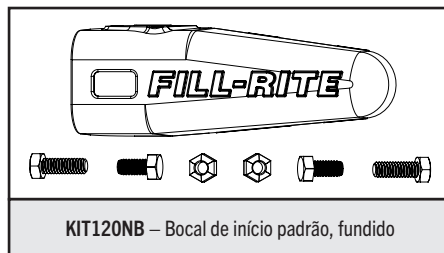
A Fill-Rite oferece as peças que você precisa para reparos ou manutenção de rotina. A lista e o diagrama de peças a seguir cobre todas as peças aplicáveis para o seu produto Fill-Rite. Essas peças podem ser adquiridas através de qualquer vendedor autorizado da Fill-Rite. Certifique-se de usar apenas peças de reposição originais da Fill-Rite para suas necessidades de manutenção e serviço. Para obter uma lista de vendedores autorizados, visite o site www.fillrite.com.



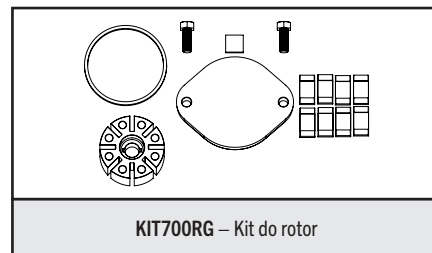
ADVERTÊNCIA! NÃO abra nem tente reparar o motor na sua bomba da série FR700V. Abrir o invólucro do motor pode comprometer a integridade da construção à Prova de Explosões e anulará qualquer certificação e garantia existentes (certificação UL). Consulte a política de garantia localizada na página 2.



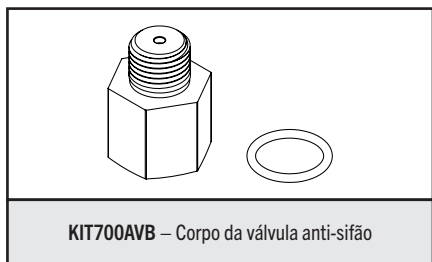
700KTF2659 – Kit de Reparo



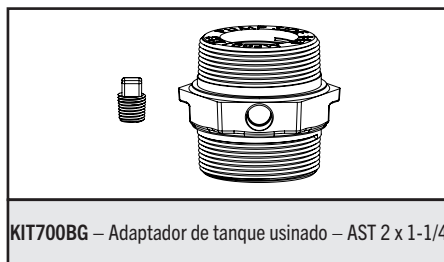
KIT120NB – Bocal de início padrão, fundido



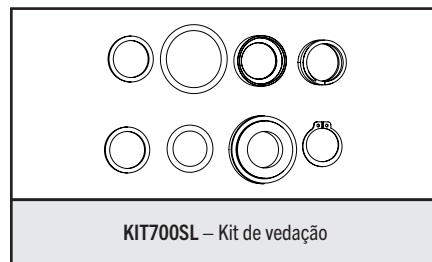
KIT700RG – Kit do rotor



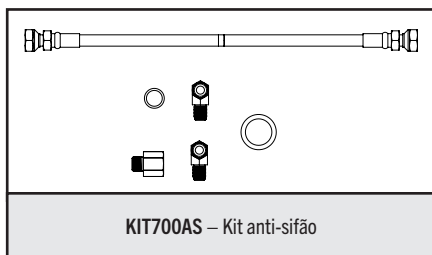
KIT700AVB – Corpo da válvula anti-sifão



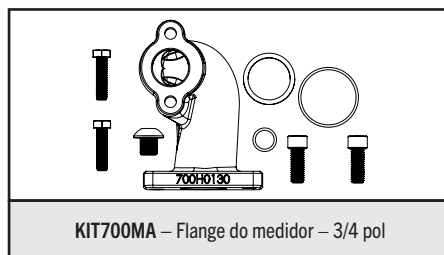
KIT700BG – Adaptador de tanque usinado – AST 2 x 1-1/4



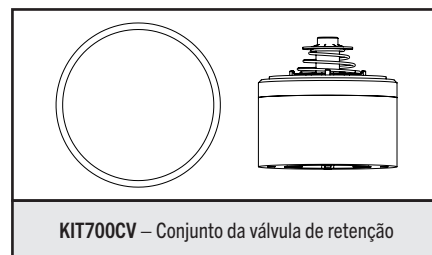
KIT700SL – Kit de vedação



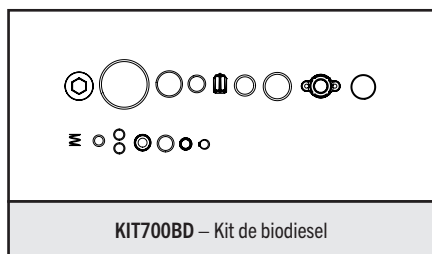
KIT700AS – Kit anti-sifão



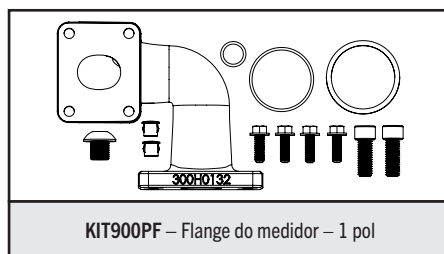
KIT700MA – Flange do medidor – 3/4 pol



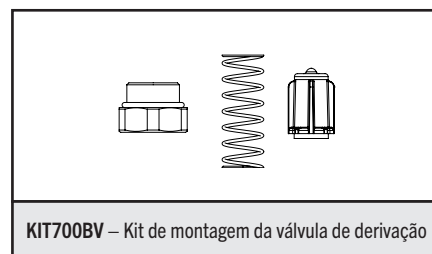
KIT700CV – Conjunto da válvula de retenção



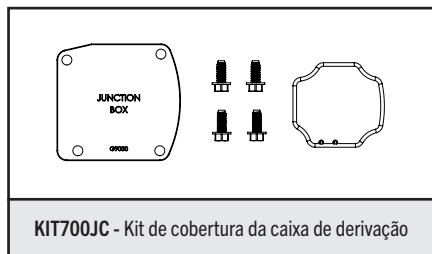
KIT700BD – Kit de biodiesel



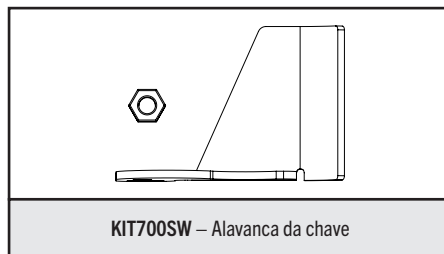
KIT900PF – Flange do medidor – 1 pol



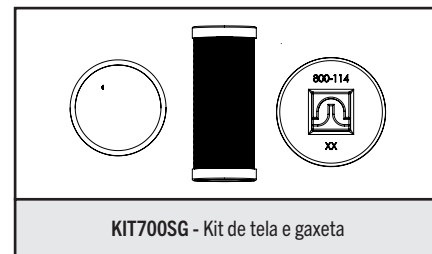
KIT700BV – Kit de montagem da válvula de derivação



KIT700JC - Kit de cobertura da caixa de derivação



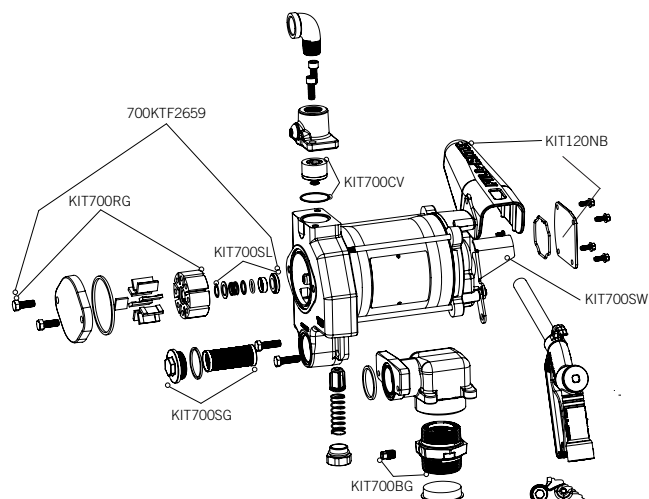
KIT700SW – Alavanca da chave



KIT700SG - Kit de tela e gaxeta

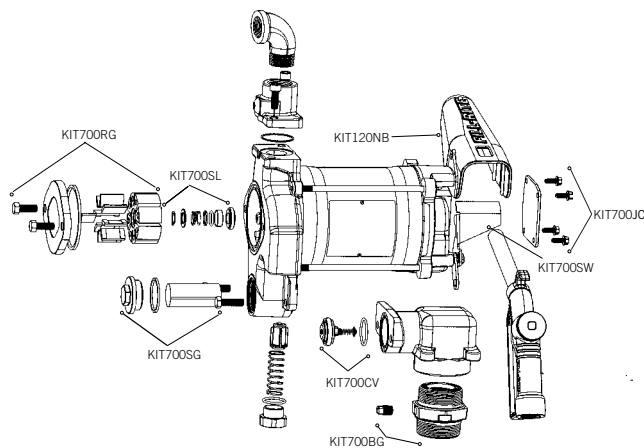
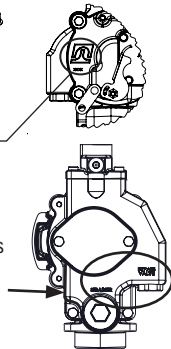
Lista de peças FR700V / FR701V / FR710V / FR711V

Verifique os seguintes indicadores visuais para determinar qual modelo da série FR700V que você tem:



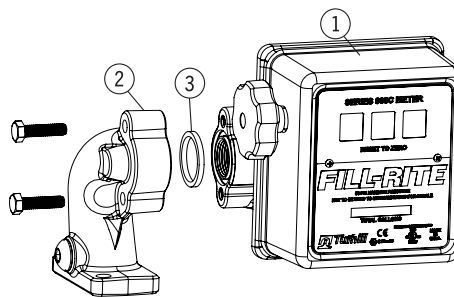
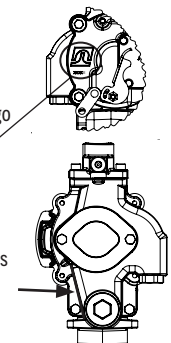
Examine a peça fundida na lateral da bomba que contém a chave e a proteção do bico. Haverá um logotipo Tuthill gravado na peça fundida. Por baixo da peça fundida, você verá um código de data. Se o código de data tiver apenas 4 caracteres ou números, você tem o projeto mais antigo.

Além disso, no outro lado da bomba, o alojamento da bomba de ferro fundido **não é inclinado** e contém as palavras "Strainer" (Filtro) e "Bypass Valve" (Válvula de desvio) gravadas diretamente na peça fundida. Se a sua bomba corresponder a essas descrições, a válvula de retenção está localizada no lado de saída da sua bomba. Ela também utilizará o mais longo dos dois conjuntos de filtros disponíveis no KIT700SG.



Examine a peça fundida na lateral da bomba que contém a chave e a proteção do bico. Haverá um logotipo Tuthill gravado na peça fundida. Por baixo da peça fundida, você verá um código de data. Se o código de data tiver 5 caracteres e terminar na letra "B", você tem o projeto novo.

Além disso, no outro lado da bomba, o alojamento da bomba de ferro fundido **é inclinado** e não contém quaisquer palavras gravadas na peça fundida. Se a sua bomba corresponder a essas descrições, a válvula de retenção está localizada no lado da entrada da sua bomba. Ela também utilizará os conjuntos de filtros mais curtos disponíveis no KIT700SG.



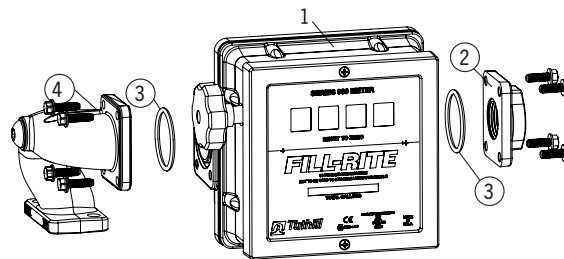
Lista de peças FR701V

A configuração do FR701V adiciona um medidor mecânico da série 807C, um flange do medidor de entrada, um flange do medidor de saída, as ferragens de fixação associadas e as gaxetas. Este pacote está disponível no registro de galões ou litros.

N.º	N.º da peça / Kit	Descrição	Quant.
1	807C	Medidor 807C (galões)	1
2	701H0934	Flange do medidor	1
3		Gaxeta, cortada no torno, nitrílica	1
1	807CL	Medidor 807CL (litros)	1

Peças FR710V

N.º	N.º da peça / Kit	Descrição	Quant.
1	700H0128	1" flange de saída	1



Lista de peças do FR711V

A configuração do FR711V adiciona um medidor mecânico da série 901C, um flange do medidor de entrada, um flange do medidor de saída, as ferragens de fixação associadas e as gaxetas. Este pacote está disponível no registro de galões ou litros.

N.º	Nº do kit de galões	Descrição	Nº do kit de litros	Quant.
1	901C	Medidor 901C (galões)	--	1
2	Kit de 900 metros (galões) N.º 901CMK300V	Flange do medidor	Kit de 900 metros (litros) N.º 901CLMK300V	1
3		Gaxeta do medidor		2
4		Conexão de 1" do medidor		1
1	--	Medidor 901CL (litros)	901CL	1

ATENÇÃO!

As informações a seguir são referentes a medidores e bombas de sufixo "E" (projetadas para uso fora dos Estados Unidos e Canadá)! Consulte a etiqueta de informações na sua bomba para verificar se as informações são aplicáveis.

Materiais de fabricação

Materiais de fabricação da superfície externa da unidade: aço pintado, ferro fundido pintado, alumínio pintado, aço com chapa de zinco.

Os materiais de construção das partes úmidas são: ferro fundido; aço; aço galvanizado; aço inoxidável série 300; carbono; fluorocarboneto; buna; aço inoxidável série 400; alumínio; fenólico; poliéster termoplástico; tereftalato de polibutileno e cobre.

Reparo e manutenção

Entre em contato com o local da compra para reparo e manutenção na garantia.

Condições específicas de uso

1. Consulte o fabricante se forem necessárias informações dimensionais sobre as juntas à prova de chama.
2. Os parafusos de cabeça sextavada ISO classe 8.8, M6 (suporte de tensão de 640 MPa) devem ser usados para substituir os prendedores de tampa da série FR700V.
3. Os parafusos de cabeça sextavada ISO 10.9, M8 (suporte de tensão de 940 MPa) devem ser usados para substituir os elementos de fixação dos tirantes do motor da série FR700V.
4. Um bocal e mangueira eletricamente condutivos deverão ser usados com fluidos inflamáveis. Para minimizar o acúmulo de eletricidade estática, mantenha sempre o bocal em contato com o recipiente que está sendo enchido durante o processo de abastecimento.

Instalação

A bomba deve ser instalada em conformidade com a EN 60079-14 ou IEC 60079-14, conforme aplicável.



II 2 G
Ex db h IIA T4 Gb
FM19ATEX0019X
IECEx FMG19.0013X
Ex db IIA T4 Gb

Os Certificados para Conformidade de Segurança foram obtidos para as seguintes agências para produtos vendidos fora dos EUA e Canadá. Consulte a etiqueta no seu produto para saber seus dados específicos de conformidade.

Os seguintes padrões foram usados para demonstrar conformidade na União Europeia:

EN IEC 60079-0: 2018, Ed 7 "Atmosferas explosivas – Parte 0: Equipamento - Requisitos gerais"

EN 60079-1:2014, Ed 7 "Atmosferas explosivas – Parte 1: Proteção do equipamento por gabinetes à prova de chamas "d""

EN ISO 80079-36:2016, Ed 1 "Atmosferas explosivas – Parte 36: Equipamento não elétrico para atmosferas explosivas – Método e requisitos básicos"

EN ISO 80079-37:2016, Ed 1 "Atmosferas explosivas – Parte 37: Equipamento não elétrico para atmosferas explosivas - Tipo de proteção não elétrica segurança construtiva "c", controle da fonte de ignição "b", imersão em líquido "k""

Diretiva 2014/34/UE – Equipamentos e sistemas de proteção destinados a serem utilizados em atmosferas potencialmente explosivas.

Diretiva 2011/65/UE – Restrições ao uso de determinadas substâncias perigosas em equipamentos elétricos e eletrônicos.

As seguintes normas foram usadas para demonstrar conformidade com a certificação IECEx:

IEC 60079-0:2017, Ed 7

IEC 60079-1:2014, Ed 7



2809



Tuthill Corporation
8825 Aviation Drive
Fort Wayne, Indiana 46809 EUA

T (800) 634-2695
(+01) 260-747-7524
F (800) 866-4681

tuthill.com | fillrite.com | soter.com

FILL-RITE®

НАСОСЫ ДЛЯ ПЕРЕКАЧКИ ТОПЛИВА, СЕРИЯ FR700V

Руководство по установке и эксплуатации



Содержание

Политика в области предоставления гарантии	2
Техника безопасности.....	3
Установка.....	3
Противосифонное устройство	5
Электрические соединения	6
Процедура электромонтажа.....	6
Инструкция по эксплуатации	7
Сертификаты по испытаниям на безопасность.....	7
Защита висячим замком	7
Совместимые жидкости	7
Техническая информация/ характеристики	7
Принадлежности.....	8
Поиск и устранение неисправностей.....	8
Сведения о заменяемых деталях.....	10
Перечень деталей FR700V / FR701V / FR710V / FR711V	10
Информация о модели FR700VE.....	12

Спасибо!

Благодарим вас за приобретение насоса для перекачки топлива Fill-Rite®. Ваша безопасность очень важна, поэтому прочтите и тщательно изучите процедуры, изложенные в данном руководстве. Также сохраняйте эти инструкции для дальнейшего использования и запишите модель, серийный номер и дату покупки вашего топливного насоса. Обеспечьте свою безопасность и безопасность окружающих, соблюдая все инструкции по технике безопасности и учитывая все знаки опасности, предупреждения и предостережения. Зарегистрируйте свое изделие Fill-Rite® на веб-сайте info.tuthill.com/product_registration.

ВАЖНОЕ ЗАМЕЧАНИЕ ПО ВОЗВРАТУ ИЗДЕЛИЯ

Не возвращайте этот товар в магазин. По всем вопросам, касающимся гарантии и продукта, обращайтесь в Службу поддержки клиентов компании Tuthill по телефону 1-800-634-2695 (с понедельника по пятницу, с 08 до 18 часов стандартного восточного времени / восточного поясного времени.)

№ модели	
Сер. №	
ДАТА ПОКУПКИ:	

**Политика ограниченной гарантии**

Гарантия Tuthill Fort Wayne означает, что произведенные товары не будут иметь дефектов материалов и изготовления. Сведения о гарантиях для отдельных продуктов можно найти на веб-сайте fillrite.com.

Об этом Руководстве

От первоначальной концепции и дизайна до конечного производства ваш насос Fill-Rite построен таким образом, чтобы обеспечивалась его длительная безотказная работа. Для обеспечения бесперебойной работы насоса **очень важно полностью прочитать это Руководство до того, как будет предпринята попытка установить или эксплуатировать ваш новый насос**. Ознакомьтесь с терминологией и рисунками и обратите особое внимание на выделенные области со следующими предупреждающими знаками:



ВНИМАНИЕ! Указывает на область, в которой несоблюдение требований инструкций **может** привести к травмам или даже смерти. Возможны также механические повреждения.



ОСТОРОЖНО! Несоблюдение требований, обозначенных предупреждающим знаком "Осторожно!" может привести к повреждению оборудования.

ВАЖНО! Эти поля содержат информацию, которая при ее учете позволит сэкономить время или разъясняет правильные методы эксплуатации или дает пояснения по конкретной операции.

Для компании Tuthill первостепенное значение имеет ваша удовлетворенность нашими продуктами. Если у вас есть вопросы или вам нужна помощь при работе с вашим продуктом, свяжитесь с нами по телефону 1-800-634-2695 (с понедельника по пятницу, с 08 до 18 часов восточного времени).

Техника безопасности



ВНИМАНИЕ! Электропроводка должна выполняться **ТОЛЬКО** лицензированным электриком с выполнением требований местных, государственных и национальных правил эксплуатации электроустановок (NEC/ANSI/NFPA 70, NFPA NFPA30 и NFPA 30A) в соответствии с предполагаемым использованием насоса. Должны использоваться жесткий резьбовой кабелепровод, герметичные фитинги и уплотнение проводников. Насос необходимо заземлить надлежащим образом. Ненадлежащая установка или эксплуатация этого насоса могут привести к серьезным травмам или смерти людей.

1. При перекачке легковоспламеняющейся жидкости **НИКОГДА** не курите рядом с насосом и не используйте насос вблизи открытого огня! Это может привести к пожару!
2. Для предотвращения попадания посторонних веществ в топливный бак на выходе насоса следует установить фильтр "Fill-Rite".
3. Для минимизации возможности утечек резьбовые соединения труб и соединения необходимо герметизировать соответствующим герметиком или герметизирующей лентой.
4. Для предотвращения смещения или опрокидывания при заполнении или опорожнении резервуар для хранения жидкости необходимо надежно закрепить.
5. Для минимизации возможности накопления статического электричества при перекачивании горючих жидкостей используйте только проводящий шланг с грозозащитным тросом и обеспечивайте контакт наполняющего выпускного патрубка с заполняемым контейнером в процессе заполнения.
6. Электродвигатель насоса оснащен защитой от перегрева, отключающей электродвигатель для предотвращения повреждения обмоток. Если перегрев имеет место, **ВЫКЛЮЧИТЕ НАСОС!** Если включено питание, электродвигатель будет перезапущен без предупреждения после остывания.



ВНИМАНИЕ! Это изделие не должно использоваться для перекачки жидкостей в самолеты любого типа.



ВНИМАНИЕ! Это изделие не подходит для перекачивания жидкостей, предназначенных для потребления человеком, или жидкостей, содержащих воду.

Установка

Насос Fill-Rite серии FR700V предназначен для установки в нескольких различных конфигурациях. Его можно установить на резервуаре с салазками с помощью переходника для резервуара, поставляемого вместе с насосом (см. прилагаемые рисунки), или на бетонной платформе с помощью дополнительного переходника для опоры (который можно приобрести у вашего дистрибьютера Fill-Rite). Независимо от типа монтажа, во всех резервуарах следует предусмотреть надлежащую вентиляцию.

Насос серии FR700V имеет встроенный обратный клапан для снижения небезопасного избыточного давления, вызываемого тепловым расширением жидкости. Он также оснащен встроенным перепускным клапаном, способствующим минимизации износа в ситуации, когда насос работает с закрытым выпускным патрубком.

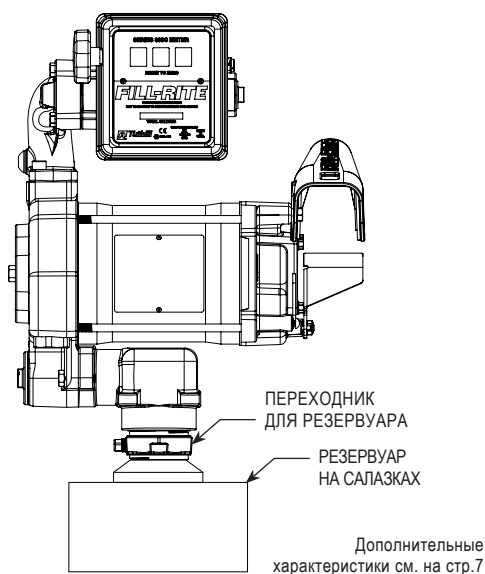


ОСТОРОЖНО! Не используйте дополнительные обратные клапаны или нижние обратные клапаны, если в них не встроен соответствующий предохранительный клапан. Учитывайте, что дополнительные обратные клапаны уменьшают расход.



ОСТОРОЖНО! Для минимизации возможности утечек резьбовые соединения труб и соединения необходимо герметизировать соответствующим герметиком или герметизирующей лентой.

УСТАНОВКА НА РЕЗЕРВУАР С САЛАЗКАМИ



Типовая установка на резервуар с салазками

Материалы

- Труба 1 1/4", обрезанная до длины, которая будет заканчиваться на расстоянии не более 3" от дна резервуара при ввинчивании в переходник для резервуара, когда переходник для резервуара ввинчен в фланец резервуара (см. рисунок УСТАНОВКА НА РЕЗЕРВУАР С САЛАЗКАМИ).
- Подходящий герметик для резьбовых трубных соединений.
- Противозадирный компаунд.

Процедура установки

1. Вкрутите трубу 1 1/4" в переходник для резервуара. Герметизируйте резьбу с помощью соответствующего герметика для резьбы.
2. Нанесите противозадирный компаунд на внешнюю резьбу в нижней части пробки переходника. Вкрутите переходник для резервуара в фланец бака.
3. Установите насос на переходник; герметизируйте резьбу соответствующим герметиком для резьбы.
4. Fill-Rite рекомендует установить противосифонное устройство (подробную информацию см. на стр. 5).

Типовая установка на бетонной платформе

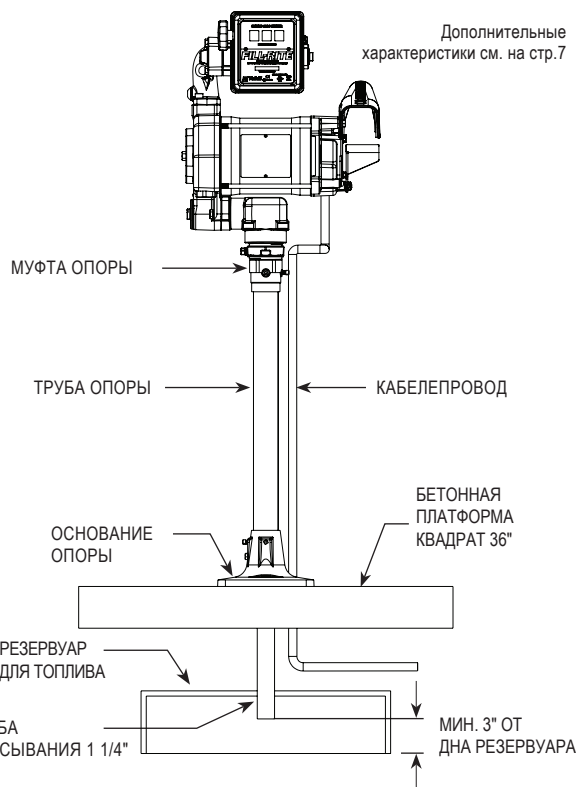
Materials

- Резьбовая всасывающая труба 1 1/4", отрезанная на расстоянии 32-1/2" над платформой.
- Комплект для опоры FRPA125 (включает в себя трубу опоры, основание и муфту).
- Подходящий герметик для резьбовых трубных соединений.

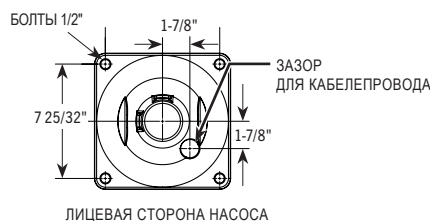
Процедура установки

1. Снимите муфту с трубы опоры, ослабив установочные винты.
2. Наденьте сборку труба опоры / основание насоса на всасывающую трубу 1A".
3. Ослабьте винты в основании насоса, чтобы позволить трубе опоры скользить вниз, обнажая конец всасывающей трубы.
4. Прикрутите муфту на всасывающую трубу; загерметизируйте резьбу соответствующим герметиком для резьбы.
5. Вставьте трубу опоры в муфту и затяните установочные винты.
6. Затяните винты в основании насоса.
7. Установите насос на муфту, загерметизировав резьбу соответствующим резьбовым герметиком.

ТИПОВАЯ УСТАНОВКА НА ОПОРУ/ БЕТОННУЮ ПЛАТФОРМУ



РАЗМЕЩЕНИЕ АНКЕРНЫХ БОЛТОВ ОСНОВАНИЯ





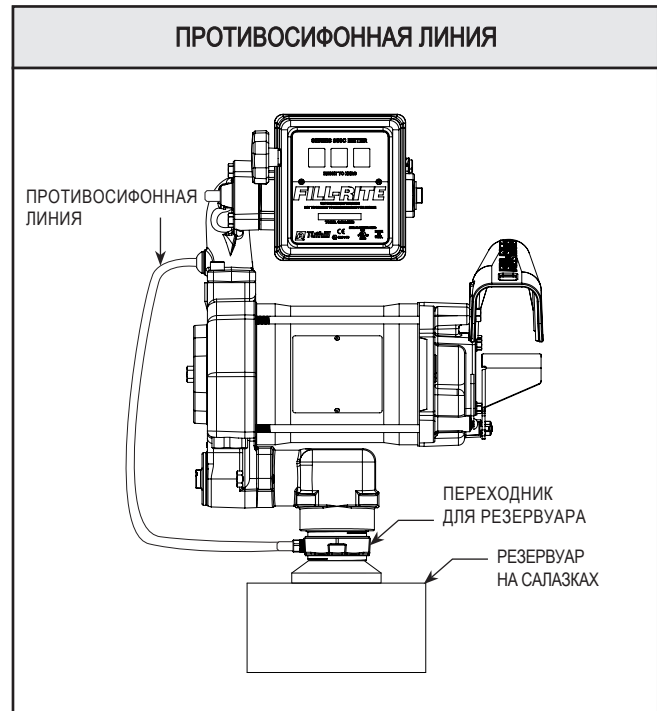
ОСТОРОЖНО! Для минимизации возможности утечек резьбовые соединения труб и соединения необходимо герметизировать соответствующим герметиком или герметизирующей лентой.

Противосифонное устройство

Ваш насос серии FR700V поставляется с завода готовым к установке противосифонной трубки к резервуару. Противосифонное устройство (также известное как вакуумный выключатель) важно, потому что оно ликвидирует разрежение, если при выключенном насосе будет открыт выпускной патрубок или будет протекать шланг ниже уровня жидкости в резервуаре. Fill-Rite рекомендует устанавливать противосифонный комплект # KIT700AS от выхода насоса в паровое пространство резервуара.

На этом рисунке показано, как устанавливать трубку, чтобы она заканчивалась в паровом пространстве в верхней части резервуара. Трубка должна заканчиваться в паровом пространстве; если она заканчивается ниже уровня жидкости в резервуаре, это не устранил разрежение. Очень важно, чтобы в трубке не было ловушек для жидкости; она должна иметь непрерывный наклон от насоса вниз к резервуару и, если не используется переходник для резервуара, её можно подключить к любому отверстию в верхней части резервуара. При необходимости для надлежащей установки и герметизации используйте редуторные втулки.

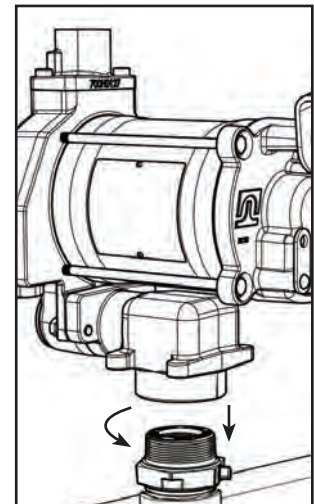
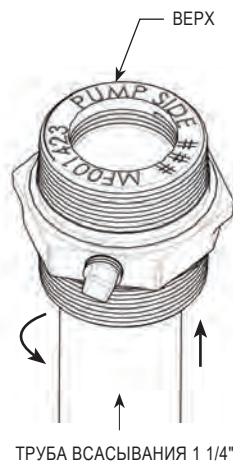
Отверстие 1/4 NPT в боковой части переходника для резервуара заканчивается в паровом пространстве резервуара. Обеспечивайте герметичность соединений с помощью соответствующего герметика, наносимого от переходника до выхода противосифонного устройства, используя металлические трубки размером минимум 1/4, совместимые со всеми перекачиваемыми жидкостями. Если используется переходник для подключения противосифонного устройства к резервуару, а отверстие 1/4 NPT не используется для трубки, оставьте на месте заводскую пробку. Fill-Rite предлагает противосифонный комплект # KIT700AS (можно приобрести у вашего дистрибьютора Fill-Rite). Этот комплект содержит необходимые фитинги и трубки для завершения установки, показанной на рисунке в этом разделе, и установки вашей собственной противосифонной линии. ПРИМЕЧАНИЕ: Этот комплект предназначен ТОЛЬКО для установки устройства в верхней части резервуара с переходником.



Сборка и установка пробки переходника / всасывающей трубы

Насосы серии FR700V оснащены 2-дюймовым переходником с пробкой и с встроенным соединением для противосифонного устройства. Для правильной работы устройства при установке всасывающей трубы необходимо правильно вставить всасывающую трубу в переходник с пробкой. Всасывающий наконечник вставляется в переходник резервуара, его необходимо обрезать до такой длины, чтобы он заканчивался на расстоянии не менее 3 дюймов от дна резервуара.

1. Измерьте и отрежьте всасывающую трубу до размера, указанного выше.
2. Для правильной установки всасывающей трубы осмотрите переходник с пробкой, определив его верхнюю и нижнюю части. На переходнике с пробкой имеется маркировка: конец, отмеченный "PUMP SIDE (СТОРОНА НАСОСА)", является верхней частью переходника с пробкой. Обратите внимание, что внутренняя резьба для установки всасывающей трубы находится в ВЕРХНЕЙ ЧАСТИ отверстия, но всасывающая труба вставляется через нижнее отверстие.
3. Нанесите на резьбу всасывающей трубы герметик, соответствующий перекачиваемой жидкости. Вставляйте всасывающую трубу (резьбовой стороной вверх) в нижнюю часть переходника с пробкой до тех пор, пока резьба не войдет в зацепление.
4. Вкрутите всасывающую трубу в переходник с пробкой, чтобы обеспечить герметичность к воздуху / жидкости.
5. Нанесите противозадирный компаунд на внешнюю резьбу в нижней части пробки переходника. Установите собранный переходник с пробкой и всасывающую трубой в отверстие в пробке на резервуаре. Затяните до обеспечения герметичности к воздуху / жидкости.
6. Установите насос на переходник с пробкой, используя соответствующий жидкий герметик, и затяните его до состояния герметичности к жидкости / воздуху.



Электрические соединения



ВНИМАНИЕ! Электропроводка должна выполняться ТОЛЬКО лицензированным электриком с выполнением требований местных, государственных и национальных правил эксплуатации электроустановок (NEC/ANSI/NFPA 70, NFPA NFPA30 и NFPA 30A) в соответствии с предполагаемым использованием насоса. Должны использоваться жесткий резьбовой кабелепровод, герметичные фитинги и уплотнение проводников. Насос необходимо заземлить надлежащим образом. Ненадлежащая установка или эксплуатация этого насоса могут привести к серьезным травмам или смерти людей.

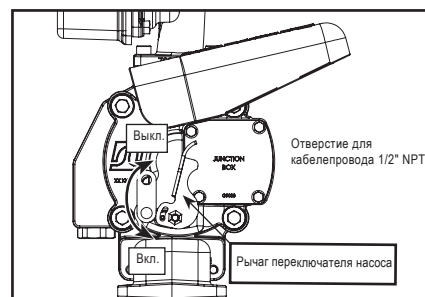
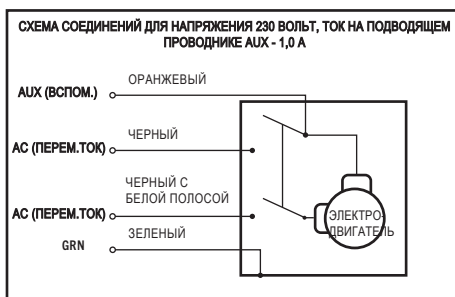
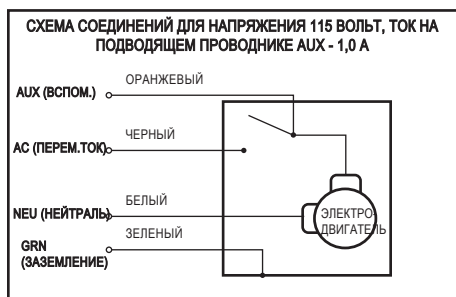


ОСТОРОЖНО! Все насосы должны работать при номинальном напряжении, указанном на заводской табличке. Питание должно подаваться на насос от специальной цепи с автоматом защиты цепи 20 А. Никакое другое оборудование не должно запитываться от этого контура. Провод должен иметь достаточное сечение, обеспечивающее необходимый ток для насоса. Падение напряжения будет зависеть от расстояния до насоса и сечения провода; см. Национальные электротехнические нормы и правила (NEC) или местные стандарты по компенсации падения напряжения электрооборудованию для определения сечения провода, подходящего для вашего применения.

Процедура электромонтажа



ВНИМАНИЕ! Когда питание включено, провод "AUX." НАХОДИТСЯ ПОД НАПРЯЖЕНИЕМ! При отгрузке подводящий провод "AUX" изолирован и заключен в распределительную коробку. НЕ ПОДКЛЮЧАЙТЕ этот провод без предварительной проверки поданного в линию напряжения на совместимость с устанавливаемым оборудованием. Максимальная сила тока на этом проводе составляет 1 А. Когда провод "AUX" не используется, его необходимо изолировать и заключить в распределительную коробку.



1. Снимите крышку распределительной коробки и выпрямите провода так, чтобы зачищенные концы проводов были вне распределительной коробки.
2. Соедините провода насоса с линиями питания в соответствии с электрической схемой. Убедитесь в том, что соединители надлежащим образом изолированы с помощью соответствующих соединительных изолирующих зажимов или других соединительных элементов. Примечание: НЕОБХОДИМО подключить провод заземления.
3. Уложите провода обратно в распределительную коробку, проверьте правильность размещения уплотнений, совместите крышку с отверстиями распределительной коробки и установите винты. Затяните каждый винт с моментом 90 ± 9 дюймов-фунт.

ВАЖНО! Убедитесь в том, что прокладка крышки находится на месте, а винты плотно прижимают крышку к распределительной коробке. Между распределительной коробкой и ее крышкой не должно быть зазора.

AWG	МАКСИМАЛЬНАЯ ДЛИНА КАБЕЛЯ (ФУТОВ)													
	Одножильный провод							Многожильный провод						
	16	14	12	10	8	6	4	16	14	12	10	8	6	4
115В перем. тока (электродвигатель 60 Гц)	39	62	99	158	250	--	--	38	61	96	154	245	389	620
230 В перем. тока (электродвигатель 50 Гц)	186	296	471	751	--	--	--	182	290	459	733	--	--	--
230 В перем. тока (электродвигатель 60 Гц)	170	271	432	689	--	--	--	167	265	421	672	--	--	--

Инструкция по эксплуатации

1. Сбросьте измерительный прибор на «0» (если это применимо)
2. Снимите дозирующий выпускной патрубок с держателя выпускного патрубка.
3. Переключите рычаг переключателя в положение «ВКЛ.», чтобы включить насос.
4. Вставьте дозирующий выпускной патрубок в наполняемый резервуар.
5. Приведите в действие выпускной патрубок для заполнения резервуара жидкостью; отпустите выпускной патрубок, когда нужное количество жидкости будет залито.
6. Переключите рычаг переключателя в положение «ВЫКЛ.», чтобы выключить насос.
7. Извлеките дозирующий патрубок из резервуара и поместите ее в держатель выпускного патрубка.



ОСТОРОЖНО! Чтобы свести к минимуму накопление статического электричества, выпускной патрубок должен соприкасаться с заполняемым контейнером в процессе заполнения.

Установка держателя выпускного патрубка

Держатель выпускного патрубка устанавливается с помощью двух нижних резьбовых отверстий на боковой стороне держателя. Для установки держателя выпускного патрубка используйте прилагаемое крепежное оборудование.

Совместимые жидкости

Дизельное топливо, бензин, керосин, минеральные спирты, растворители Штоддарда и гептан

ВАЖНО! Если вы сомневаетесь в совместимости конкретной жидкости, обратитесь к поставщику жидкости, чтобы проверить наличие каких-либо побочных реакций на следующие смачиваемые материалы: чугун; сталь; оцинкованная сталь; нержавеющая сталь серии 300; углерод; фторуглерод; Буна; нержавеющая сталь серии 400; алюминий и фенол.

Техническая информация/ характеристики

Особенности конструкции:

- Вход: Пробка : 2" внешняя резьба, NPT; всасывающая труба - 1 1/4" внутренняя резьба NPT для FR705VE / 705VEL / 715VE Пробка: 2" наружная резьба BSPT; всасывающая труба - 1" внутренняя резьба BSPP.
- Выход: 3/4" NPT (модель FR700V / 701V) / 1" NPT (модель FR710V / 711V) для FR705VE / 705VEL / 715VE Выход.
- Корпус насоса из чугуна: железный (композитный) ротор и углеродистые (композитные) крыльчатки.
- Модель FR700V / 701V укомплектована шлангом UL 3/4" x 12' и ручным выпускным патрубком.
- Модель FR711V укомплектована одним шлангом UL- 1" x 18' и автоматическим выпускным патрубком.
- Защита: Насос укомплектован висячим замком.
- Защита от перегрева
- Переключатель, работающий в тяжелых условиях эксплуатации
- Рабочий цикл 30 минут.
- Взрывозащищенный двигатель по UL с герметичными подшипниками, не требующими технического обслуживания.
- Встроенный обратный клапан со сбросом давления на выходной стороне предотвращает превышение давления и улучшает вертикальный подъем.
- Легкодоступный сетчатый фильтр
- Автоматический перепускной клапан.
- Резьбовое основание 2" для отверстий резервуара.
- Постоянный ток при полной нагрузке (коэффициент использования 1,0)
 - 115 В перем. тока 60 Гц - 5,5 А
 - 230 В перем. тока 60 Гц - 2,4 А

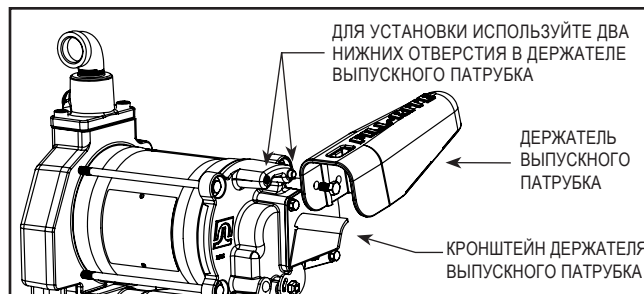
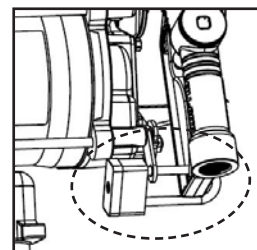
Сертификаты по испытаниям на безопасность

Линейка насосов Fill-Rite была испытана на безопасность на соответствие стандартам, установленным лабораториями UL.



Защита висячим замком

Для обеспечения дополнительной безопасности выпускной патрубок насоса Fill-Rite можно защитить висячим замком. При выключенном насосе и нерабочем положении выпускного патрубка через стопорное звено и отверстие ручки выпускного патрубка можно вставить висячий замок. Такая конфигурация предотвращает демонтаж выпускного патрубка с крышки выпускного патрубка.



Габаритные размеры:

Модель FR700V / 710V: ШИРИНА 14,15" X ВЫСОТА 11,825" x ГЛУБИНА 11,5".
 Модель FR701V: ШИРИНА 14,15" X ВЫСОТА 16,6" x ГЛУБИНА 11,675".
 Модель FR711V: ШИРИНА 15,25" X ВЫСОТА 16,1" x ГЛУБИНА 14,1".

Вес при отгрузке:

FR700V: 54 фунтов / FR701V: 61 фунт / FR710V: 54 фунта / FR711V: 61 фунт

Принадлежности:

- Полный список доступных принадлежностей см. на стр. 8.

Производительность:

- Максимальное давление на выходе насоса 25 фунтов на квадратный дюйм (1,72 бар).
- До 20 галлонов (75 литров) в минуту.
- Жидкостный насос с максимальной вязкостью перекачиваемой жидкости: дизельное топливо № 2.
- Максимальная рабочая температура насоса (температура окружающей среды): 150 градусов по Фаренгейту (66 градусов по Цельсию).
- Минимальная рабочая температура насоса (температура окружающей среды): минус 13 градусов по Фаренгейту (минус 25 градусов по Цельсию) (обратите внимание, что для работы при более низких температурах мы рекомендуем использовать "выпускной патрубок арктического исполнения" и "шланг арктического исполнения", указанные в разделе принадлежностей на стр. 8).
- Максимальный подъем при всасывании: 10' (3 м) для бензина; 18' (5,5 м) для дизельного топлива № 2 (подъем в футах равен вертикальному расстоянию от поверхности жидкости в резервуаре до входа насоса ПРИ ОТСУТСТВИИ потерь на трение в вертикальных и горизонтальных прогонах труб, во всех коленах и других фитингах. Систему необходимо настроить так, чтобы требовался минимальный подъем всасывания).

Принадлежности

Для увеличения производительности вашего насоса серии FR700V предусмотрено большое количество различных принадлежностей. Ниже перечислены применимые доступные для вашего принадлежности конкретно для вашего изделия. Чтобы приобрести необходимые вам принадлежности свяжитесь с вашим авторизованным дистрибьютором Fill-Rite.

Номер детали	Описание	FR700V	FR701V	FR710V	FR711V
1200KTF7018	Комплект фильтра 3/4" (Particulate)	X	X		
F1810PM0	Для замены фильтрующих элементов Particulate	X	X		
1210KTF7019	Комплект фильтра 3/4" (Hydrosorb)	X	X		
F1810HM0	Для замены фильтрующих элементов Hydrosorb	X	X		
F4010PM0	Комплект фильтра 1" (Particulate 10 мкм)			X	X
F4030PM0	Комплект фильтра 1" (Particulate 30 мкм)			X	X
700ACCF7017	Головка фильтра 1"			X	X
FRPA125	Комплект для установки на опору на бетонной платформе	X	X	X	X
KIT700AS	Комплект противосифонного устройства	X	X	X	X
FRH10012	Шланг 1" (12')			X	X
FRH10014	Шланг 1" (14')			X	X
700F1353	Шланг 1" (18')			X	X
FRH07512	Шланг 3/4" (12')	X	X		
FRH07514	Шланг 3/4" (14')	X	X		
FRHMN075S	Выпускной патрубок 3/4", ручной, наконечник для неэтилированного бензина	X	X		
N075UAU10	Выпускной патрубок 3/4", автоматический, наконечник для неэтилированного бензина	X	X		
N075DAU10	Выпускной патрубок 3/4", автоматический, наконечник для дизельного топлива	X	X		
FRHMN100S	Выпускной патрубок 1", ручной, наконечник для этилированного бензина			X	X
N100DAU12	Автоматически отключающийся выпускной патрубок 1" (дизельное топливо, высокий расход)			X	X
N100DAU13	Автоматически отключающийся выпускной патрубок 1" (дизельное топливо, сверхвысокий расход - красная крышка)			X	X
N100DAU13G	Автоматически отключающийся выпускной патрубок 1" (дизельное топливо, сверхвысокий расход - зеленая крышка)			X	X
FRNA075DAU10	Автоматически отключающийся выпускной патрубок 3/4" (для арктических условий - дизельное топливо)	X	X		
FRNA100DAU00	Автоматически отключающийся выпускной патрубок 1" (для арктических условий - дизельное топливо)			X	X

Поиск и устранение неисправностей

Приведенное ниже Руководство по поиску и устранению неисправностей предназначено для оказания базовой диагностической помощи в случае отклонения в работе вашего изделия Fill-Rite.

Если у вас есть вопросы относительно установки, эксплуатации или обслуживания вашего изделия, обращайтесь в нашу Службу поддержки клиентов по телефону 1-800-634-2695 (с понедельника по пятницу с 08 часов до 18 часов по восточному времени). Вы также можете связаться с нами через веб-сайт www.fillrite.com



ВНИМАНИЕ! Не открывайте и не пытайтесь отремонтировать двигатель насоса серии FR700V. Вскрытие корпуса двигателя может нарушить целостность взрывозащищенной конструкции и аннулировать любую существующую гарантию и сертификацию (согласно UL). **Ознакомьтесь с политикой в области гарантии, приведенной на стр. 2.**



ВНИМАНИЕ! Перед выполнением технического обслуживания убедитесь в том, что питание насоса полностью отключено.

Поиск и устранение неисправностей (продолжение)

Неисправность	Причина	Решение
Утечка жидкости	1. Некачественное уплотнительное кольцо	Проверьте все уплотнительные кольца
	2. Загрязненное уплотнение вала	Очистите уплотнение и полость для уплотнения
	3. Некачественное уплотнение вала	Замените уплотнение
	4. Несовместимая жидкость	Производители жидкостей указаны в Перечне деталей, контактирующих с жидкостью
	5. Ослабленный крепеж	Затяните крепеж
Насос не перекачивает жидкость	1. Проблемы в линии всасывания	Проверьте наличие утечек во всасывающей линии
	2. Открыт перепускной клапан	Снимите и осмотрите клапан; он должен свободно перемещаться и в нем не должно быть от мусора
	3. Зацепление лопастей	Проверьте крыльчатку и пазы ротора на наличие зазубрин, заусенцев и износа
	4. Чрезмерный износ ротора или крыльчатки	Проверьте ротор и крыльчатку на предмет чрезмерного износа или повреждения; при необходимости замените их*
	5. Блокировка выхода	Проверьте выходной шланг насоса, выпускной патрубок и фильтр на предмет засорения
	6. Блокировка парами	Уменьшите вертикальное и горизонтальное расстояние от насоса до жидкости; снимите автоматический выпускной патрубок
Низкая производительность	1. Большое количество грязи на фильтре	Снимите и промойте фильтр
	2. Проблемы в линии всасывания	Проверьте всасывающую линию на наличие утечек или препятствий; она может быть слишком тонкой, слишком длинной или негерметичной
	3. Залипание перепускного клапана	Снимите и осмотрите клапан; он должен свободно перемещаться и в нем не должно быть от мусора
	4. Зацепление лопастей	Проверьте крыльчатки и пазы на износ
	5. Чрезмерный износ ротора или крыльчатки	Проверьте ротор и крыльчатку на предмет чрезмерного износа или повреждения; при необходимости замените их*
	6. Повреждение шланга или выпускного патрубка	Замените шланг или выпускной патрубок
	7. Забивание фильтра	Замените фильтр
	8. Низкий уровень жидкости	Заполните резервуар
Низкая скорость насоса	1. Ненадлежащее напряжение	Проверьте входное напряжение линии при включенном насосе
	2. Зацепление лопастей	Проверьте крыльчатку и пазы ротора на наличие зазубрин, заусенцев и износа
	3. Нарушение проводки	Проверьте состояние соединений
	4. Проблемы с электродвигателем	См. политику в области гарантии
Электродвигатель глохнет	1. Залипание перепускного клапана	Снимите и осмотрите клапан; он должен свободно перемещаться и в нем не должно быть от мусора
	2. Низкое напряжение	Проверьте входное напряжение линии при включенном насосе
	3. Чрезмерный износ ротора или крыльчатки	Проверьте ротор и крыльчатку на предмет чрезмерного износа или повреждения*
	4. Мусор в полости насоса	Очистите полость насоса от мусора
Перегрев электродвигателя	1. Перекачивание жидкости с высокой вязкостью	Эти жидкости можно перекачивать только в течение короткого периода времени (рабочий цикл менее 30 минут)
	2. Засорение фильтра	Снимите и промойте фильтр
	3. Ограничен просвет всасывающей трубы	Снимите и очистите трубу
	4. Неисправность электродвигателя	См. политику в области гарантии
	5. Блокировка ротора насоса	Очистите и проверьте ротор насоса и крыльчатку
Электродвигатель в неработоспособном состоянии	1. Отсутствует электропитание	Проверьте подаваемое электропитание
	2. Отказ переключателя	См. политику в области гарантии
	3. Неисправность электродвигателя	См. политику в области гарантии
	4. Отказ защиты от перегрева	См. политику в области гарантии
	5. Неправильно соединенные/отсоединившиеся провода	Проверьте схему соединений
Насос гудит но не работает	1. Мусор в полости насоса	Очистите полость насоса
	2. Неисправность электродвигателя	См. политику в области гарантии
	3. Сломана шпонка	Удалите весь мусор и замените шпонку
	4. Низкое напряжение	Проверьте входное напряжение линии при включенном насосе

Жирным шрифтом выделены ремонтные работы, которые не должны производиться владельцем; **дальнейшие указания см. в нашей политике в области гарантий на стр. 2.**

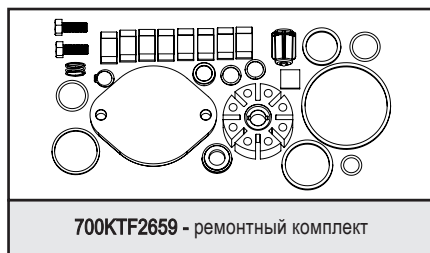
* Для ремонта, отмеченного звездочкой (*), потребуется ремонтный комплект № 700KTF2689. Этот комплект включает в себя сменный ротор и новые крыльчатки, а также ряд важных уплотнений и других компонентов для проведения ремонта. Подробная информация об этом комплекте приведена на стр. 10.

Сведения о заменяемых деталях

Для ремонта или планового технического обслуживания Fill-Rite предлагает необходимые вам запчасти. Приведенная ниже схема и список деталей содержат все детали, применимые для вашего изделия Fill-Rite. Эти запчасти можно приобрести у любого авторизованного дилера Fill-Rite. Используйте для технического обслуживания только оригинальные запасные части Fill-Rite. Для получения списка официальных дилеров посетите наш веб-сайт www.fillrite.com.



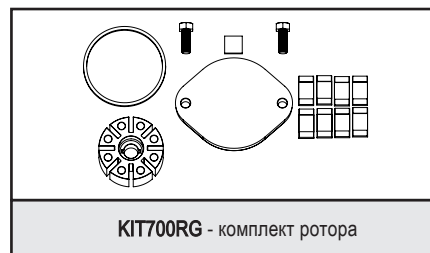
ВНИМАНИЕ! Не открывайте и не пытайтесь отремонтировать двигатель насоса серии FR700V. Вскрытие корпуса двигателя может нарушить целостность взрывозащищенной конструкции и аннулировать любую существующую гарантию и сертификацию (согласно UL). **Ознакомьтесь с политикой в области гарантии, приведенной на стр. 2.**



700KTF2659 - ремонтный комплект



KIT120NB - стандартный
выпускной патрубок, литой



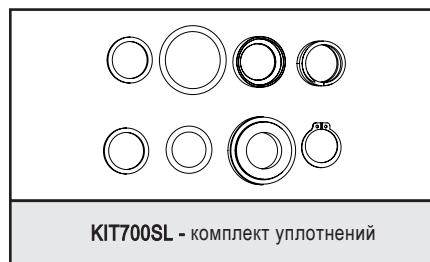
KIT700RG - комплект ротора



KIT700AVB - корпус
противосифонного клапана



KIT700BG - переходник для резервуара,
механическая обработка - AST 2 x 1 1/4



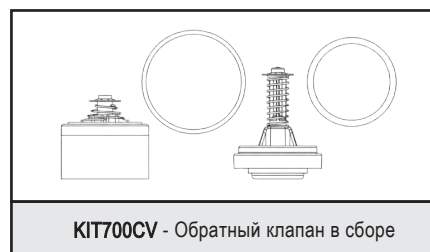
KIT700SL - комплект уплотнений



KIT700AS - комплект
противосифонного устройства



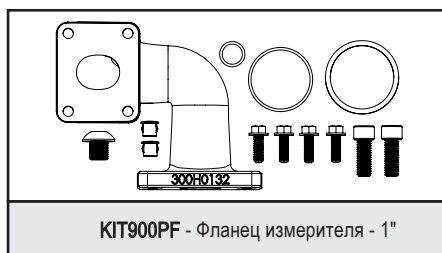
KIT700MA - фланец измерителя - 3/4"



KIT700CV - Обратный клапан в сборе



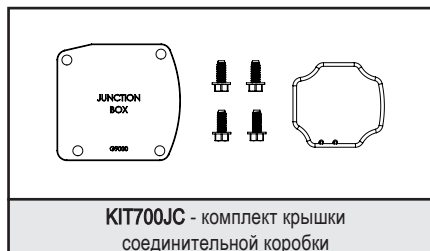
KIT700BD - комплект
для биодизельного топлива



KIT900PF - Фланец измерителя - 1"



KIT700BV - комплект перепускного
клапана в сборе



KIT700JC - комплект крышки
соединительной коробки



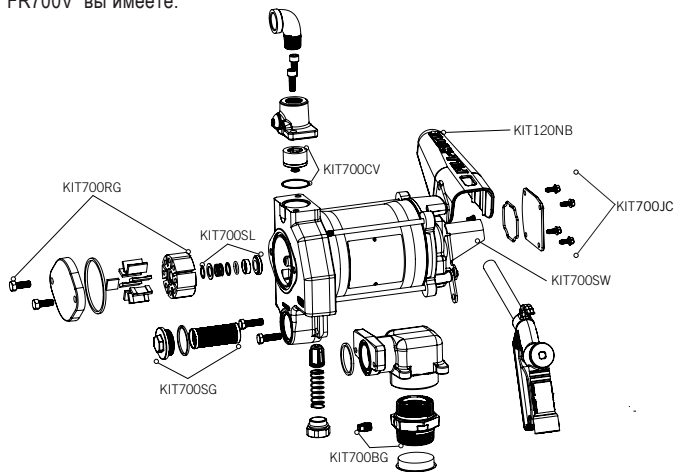
KIT700SW - рычаг переключателя



KIT700SG - комплект фильтров и уплотнений

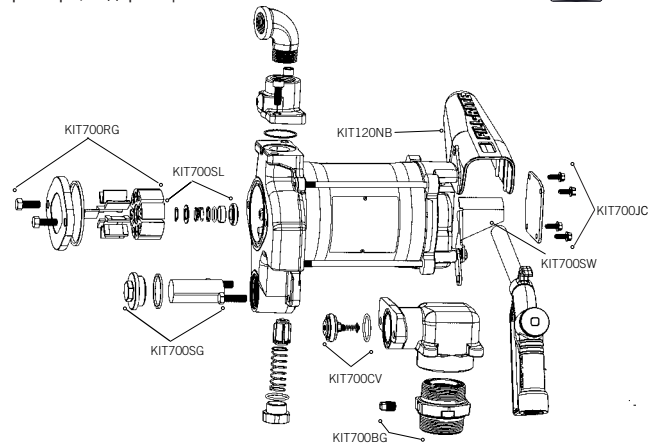
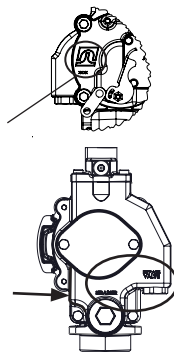
Перечень деталей FR700V / FR701V / FR710V / FR711V

Рассмотрите следующие рисунки, чтобы определить, какую модель серии FR700V вы имеете:



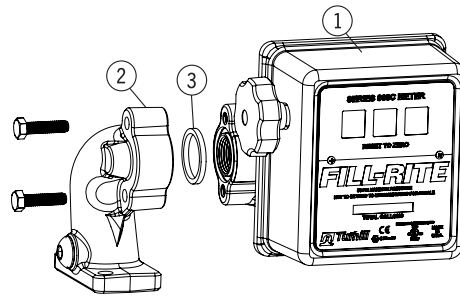
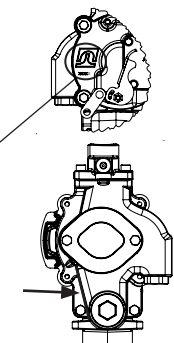
Осмотрите литую поверхность сбоку насоса, содержащую переключатель и держатель выпускного патрубка. На ней будет выгравирован логотип Tuthill. Под ним вы увидите код даты. Если код даты состоит всего из 4 символов или цифр, у это изделие более старой разработки.

Кроме этого, с другой стороны насоса чугунный корпус насоса не наклонен и содержит слова "Фильтр" и "Перепускной клапан", выравненные непосредственно в отливке. Если ваш насос соответствует этим описаниям, то обратный клапан расположен на выходной стороне насоса. В нем также будет установлен более длинный из двух узлов фильтра, содержащихся в KIT700SG.



Осмотрите литую поверхность сбоку насоса, содержащую переключатель и держатель выпускного патрубка. На ней будет выгравирован логотип Tuthill. Под ним вы увидите код даты. Если код даты имеет длину 5 символов и заканчивается буквой "B", то у вас изделие новой разработки.

Кроме этого, с другой стороны насоса чугунный корпус насоса имеет скошенные кромки, а на отливке нет гравировки. Если ваш насос соответствует этим описаниям, то обратный клапан расположен на входной стороне насоса. В нем также будет установлен более короткий из двух узлов фильтра, содержащихся в KIT700SG.



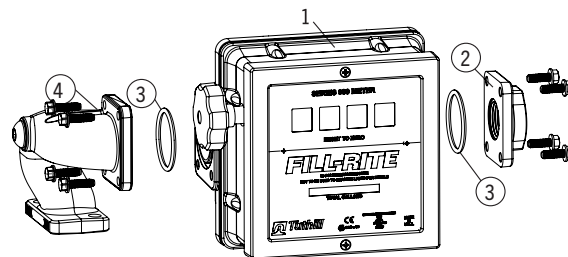
Перечень деталей FR701V

Конфигурация FR711V дополнительно содержит механический измеритель серии 901С, входной фланец измерителя, выходной фланец измерителя, соответствующее крепежное оборудование и уплотняющие прокладки. Этот комплект может производить измерения в галлонах или в литрах.

№	Номер детали/ комплекта	Описание	К-во
1	807С	Измеритель 807С (в галлонах)	1
2	701H0934	Фланец измерителя	1
3		Прокладка, токарная резка, нитрильная резина	1
1	807CL	Измеритель 807CL (в литрах)	1

Детали FR710V

№	Номер детали/ комплекта	Описание	К-во
1	700H0128	Выходной фланец 1"	1



Перечень деталей FR711V

Конфигурация FR711V дополнительно содержит механический измеритель серии 901С, входной фланец измерителя, выходной фланец измерителя, соответствующее крепежное оборудование и уплотняющие прокладки. Этот комплект может производить измерения в галлонах или в литрах.

№	Номер комплекта для измерения в галлонах	Описание	Номер комплекта для измерения в литрах	К-во
1	901С	Измеритель 901С (в галлонах)	--	1
2	Комплект измерителя 900 (галлоны) # 901СМК300V	Фланец измерителя	Комплект измерителя 900 (литры) # 901СЛМК300V	1
3		Уплотнение измерителя		2
4		Фитинг измерителя 1"		1
1	--	Измеритель 901СL (в литрах)	901СL	1

ВНИМАНИЕ!

Следующая информация предназначена для насосов и счетчиков с суффиксом "E" (предназначенных для использования за пределами США и Канады)! См. информационную этикетку на вашем насосе, чтобы узнать, относится ли эта информация к вашему изделию.

Конструктивные материалы

Конструктивные материалы наружной поверхности агрегата: окрашенная сталь, окрашенный чугун, окрашенный алюминий, оцинкованная сталь.

Материалами деталей, работающих в контакте с рабочей жидкостью, являются: чугун; сталь; оцинкованная сталь; нержавеющая сталь серии 300; углерод; фторуглерод; Буна; нержавеющая сталь серии 400; алюминий; фенол; термопластичный полиэфир; полибутилентерефталат и медь.

Ремонт и техническое обслуживание

Для гарантийного ремонта и технического обслуживания свяжитесь с продавцом.

Особые условия использования

1. При необходимости получения информации о размерах огнестойких соединений обратитесь к изготовителю.
2. Для замены крепежных элементов крышки клеммной коробки серии FR700V следует использовать винты M6 с шестигранной головкой класса 8.8 по ISO (предел текучести 640 МПа).
3. Для замены крепежных элементов крышки клеммной коробки серии FR700V следует использовать винты M8 с шестигранной головкой класса 10.9 по ISO (предел текучести 940 МПа).
4. При работе с легковоспламеняющимися жидкостями должны использоваться электропроводящие шланг и выпускной патрубков. Чтобы свести к минимуму накопление статического электричества, выпускной патрубков должен всегда соприкасаться с заполняемым контейнером в процессе заполнения.

Установка

Насос должен устанавливаться согласно с EN 60079-14 или IEC 60079-14, если это применимо.

Сертификаты соответствия требованиям безопасности были получены для следующих агентств



II 2 G
Ex db h IIA T4 Gb
FM19ATEX0019X
IECEx FMG19.0013X
Ex db IIA T4 Gb



для изделий, проданных за пределами США и Канады. Конкретные данные по этому вопросу см. на бирке, установленной на вашем конкретном продукте.

Для демонстрации соответствия требованиям, действующим на территории Европейского Союза, были использованы следующие стандарты:

EN IEC 60079-0:2018, ред. 7 "Взрывоопасные среды - Часть 0:

Оборудование -

Общие требования

EN IEC 60079-1:2014, ред. 7 "Взрывоопасные среды - Часть 1: Защита оборудования с помощью взрывозащищенных корпусов "d"

EN IEC 80079-36:2016, ред. 1 "Взрывоопасные среды - Часть 36:

Неэлектрическое оборудование во взрывоопасных средах - Основные методы и требования"

EN IEC 80079-37:2016, ред. 1 "Взрывоопасные среды - Часть 37:

Неэлектрическое оборудование во взрывоопасных средах--

Неэлектрическое оборудование с видами взрывозащиты «конструкционная безопасность «с», контроль источника воспламенения «b», погружение в жидкость «к»

Директива 2014/34/EU - Оборудование и защитные системы,

предназначенные для использования во взрывоопасных средах.

Директива 2011/65/EU - Ограничения на использование некоторых опасных веществ в электрическом и электронном оборудовании.

Для подтверждения соответствия требованиям к сертификации IECEx были использованы следующие стандарты:

IEC 60079-0:2017, ред. 7

IEC 60079-1:2014, ред. 7



Tuthill Corporation
8825 Авиэйшн драйв

Форт-Уэйн, Индиана 46809 США

Тел.: (800) 634-2695 (+01) 260-747-7524

Факс: (800) 866-4681

tuthill.com | fillrite.com | soter.com